

CHEMTRONIX, LLC

Scientific Research and Development Company

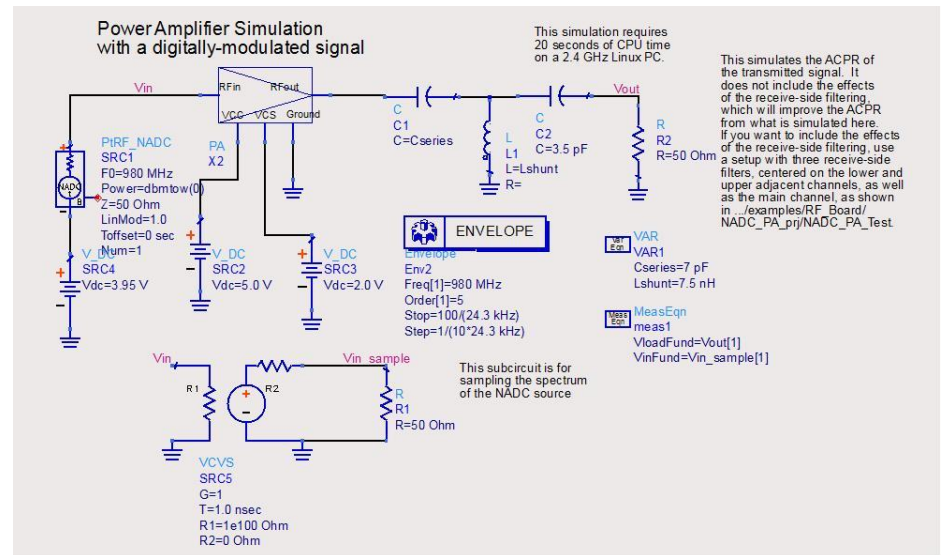
Chemtronix, LLC

Services and Capabilities

Providing R&D Services for Your Advanced Technology Needs

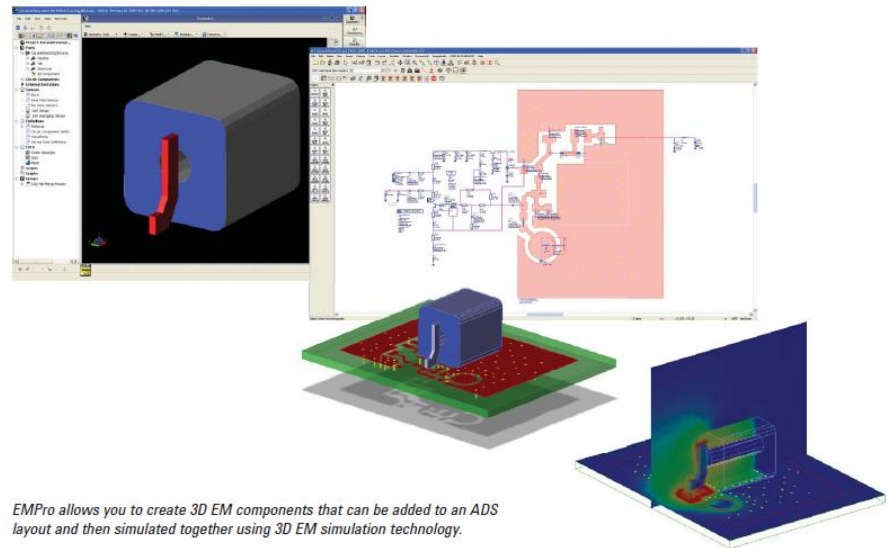
Circuit Design, Schematic Capture and PCB Layout

- Accurate schematics generation and PCB layout design using various third party tools (Mentor Graphics, Cadence Allegro).
- Time and Frequency domain simulation, and high-speed system design verification using various third-party Channel Simulators (ADS, HyperLynx).



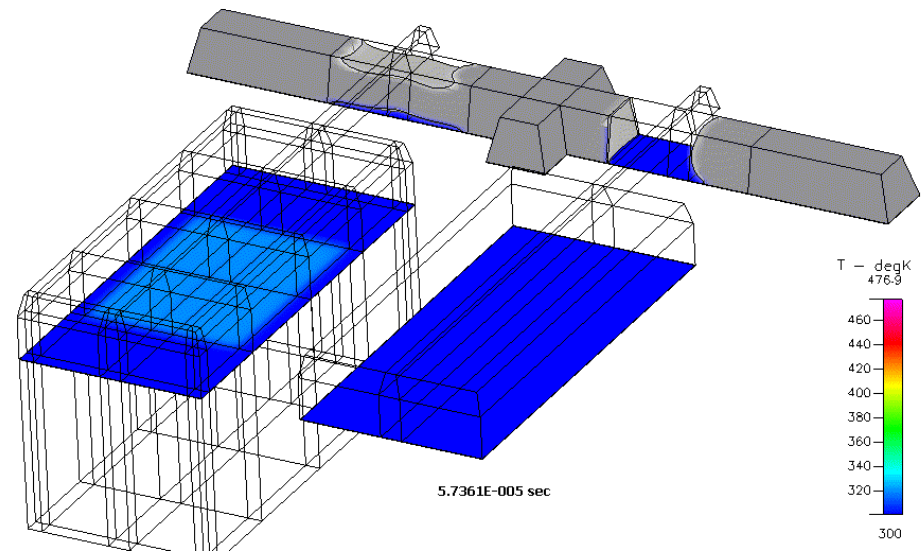
Full-wave 3D EM Modeling

- Full-wave 3D EM modeling (ANSYS, Mentor Graphics, Keysight) to support full PCB design and fabrication flow
- Full integration with third part channel simulators for solving complex signal integrity problems in high-speed systems, PCB's and PCB to component transitions.



Thermal and Fluid Dynamics Modeling

- Thermal and Fluid Dynamics modeling for accurate solving of complex temperature, pressure and fluid movement scenarios, while providing visual and transient (time-dependent) view of the simulation model.
- Critical in determining the junction temperature of a high-power packaged ASIC with a cooling scheme and a varying power load.



Test, Measurement and Characterization

- Measurement capabilities with a wide variety of T&M instrumentation, provided in partnership with Microelectronics Research Laboratory (MRL) of the University of Colorado at Colorado Springs.
- 50 GHz Agilent PNA, Probing Station, LCR Meter, Oscilloscopes Signal Sources, etc.

