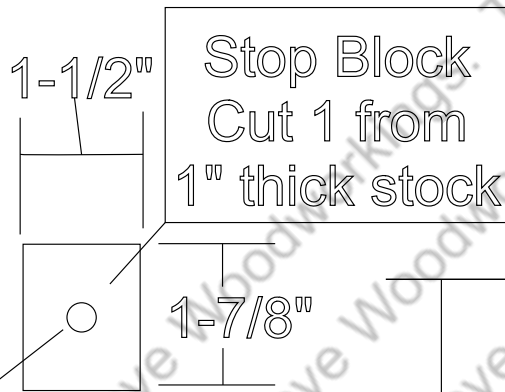
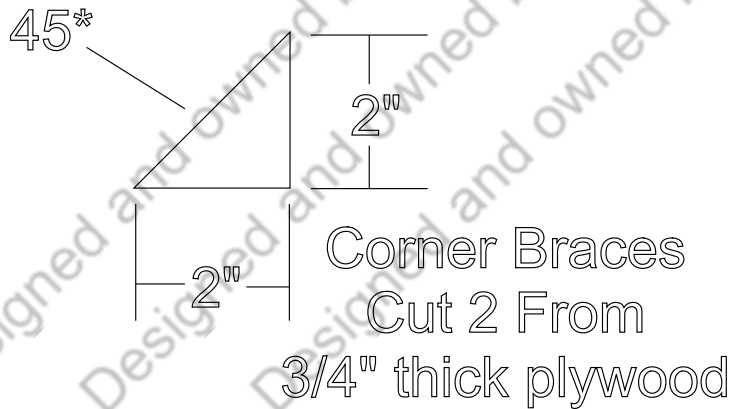


Acutabove Woodworkings  
Small Parts Cutting Jig



Stop Block  
Cut 1 from  
1" thick stock

Hole to accomodate  
jig knob



Corner Braces  
Cut 2 From  
3/4" thick plywood



Backboard. Cut 1  
From 3/4" thick plywood

Base. Cut 1 from 3/4" thick plywood