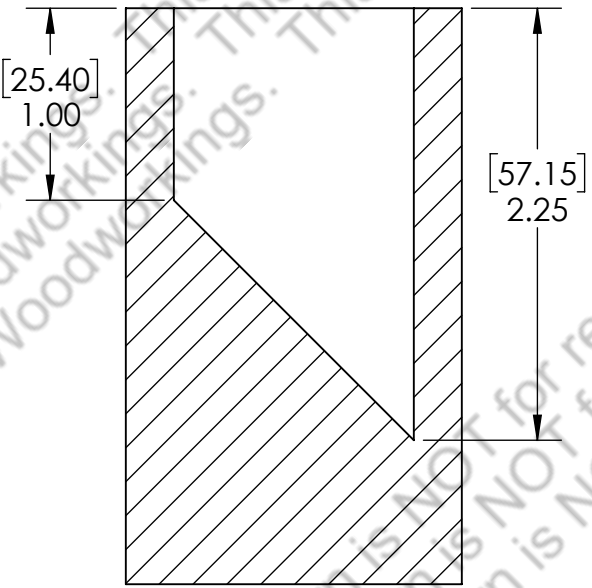
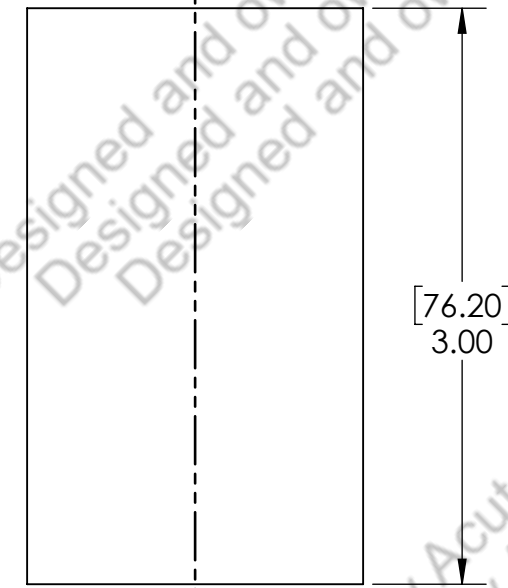


SECTION A-A  
SCALE 1 : 1



		UNLESS OTHERWISE SPECIFIED:		NAME	DATE
		DIMENSIONS ARE IN INCHES		DRAWN	
		TOLERANCES:		CHECKED	
		FRACTIONAL ±		ENG APPR.	
		ANGULAR: MACH ± BEND ±		MFG APPR.	
		TWO PLACE DECIMAL ±		Q.A.	
		THREE PLACE DECIMAL ±		COMMENTS:	
		INTERPRET GEOMETRIC TOLERANCING PER:		TITLE: <h1>Choke tester</h1>	
		MATERIAL			
NEXT ASSY	USED ON	FINISH		SIZE	DWG. NO.
APPLICATION				<b>A</b>	
				SCALE: 1:1	SHEET 1 OF 1

TITLE:  
**Choke tester**

SIZE **A** DWG. NO. REV  
SCALE: 1:1 SHEET 1 OF 1