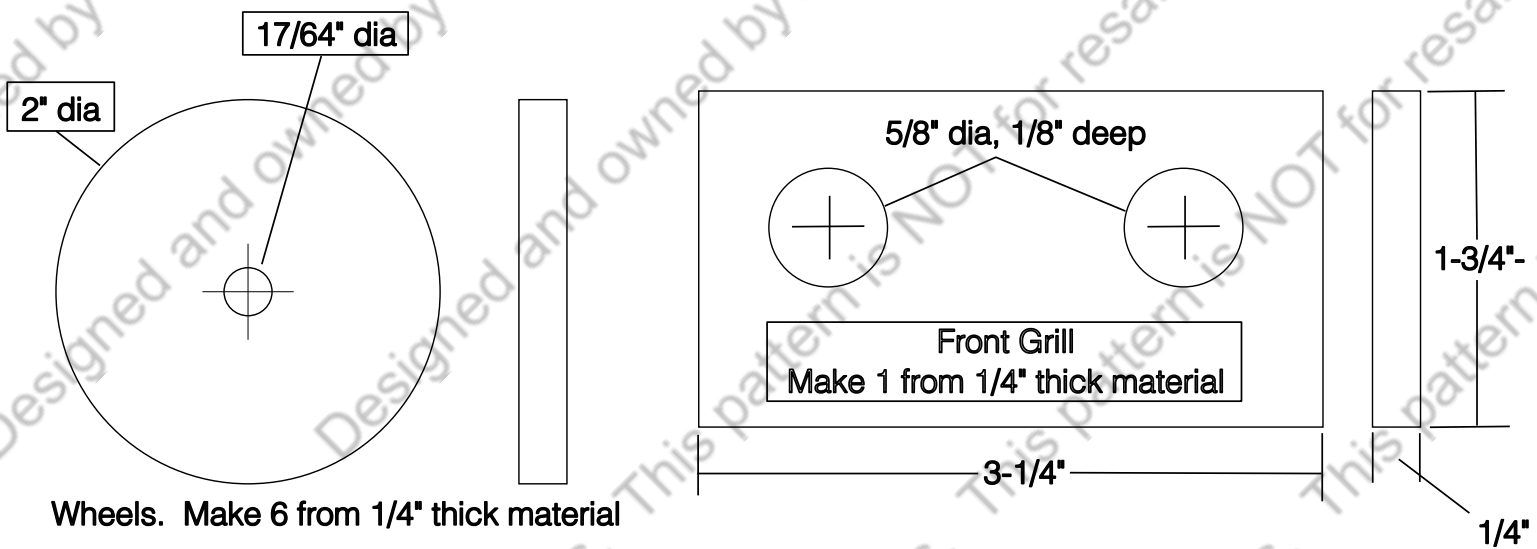
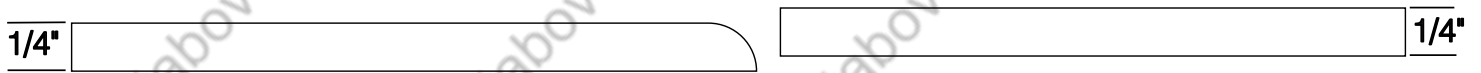
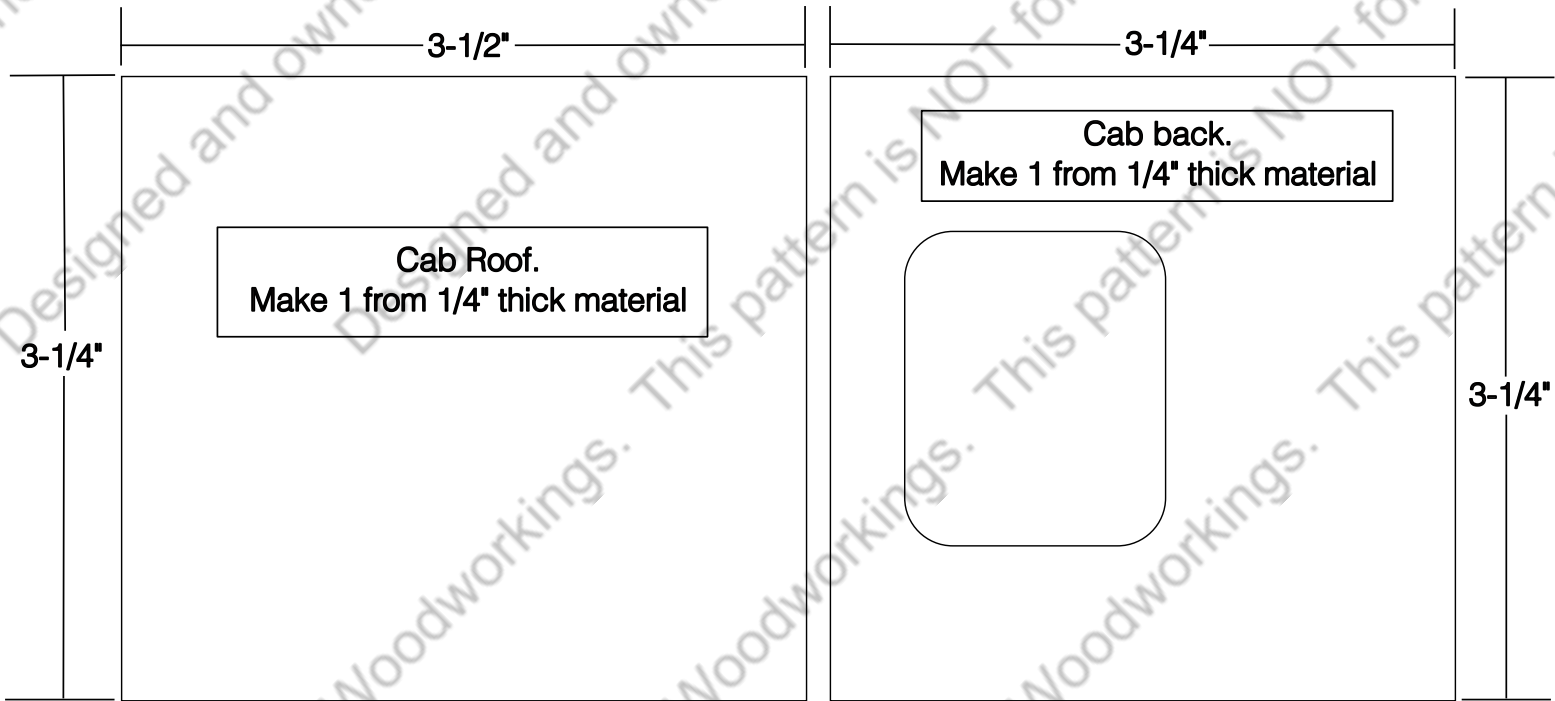
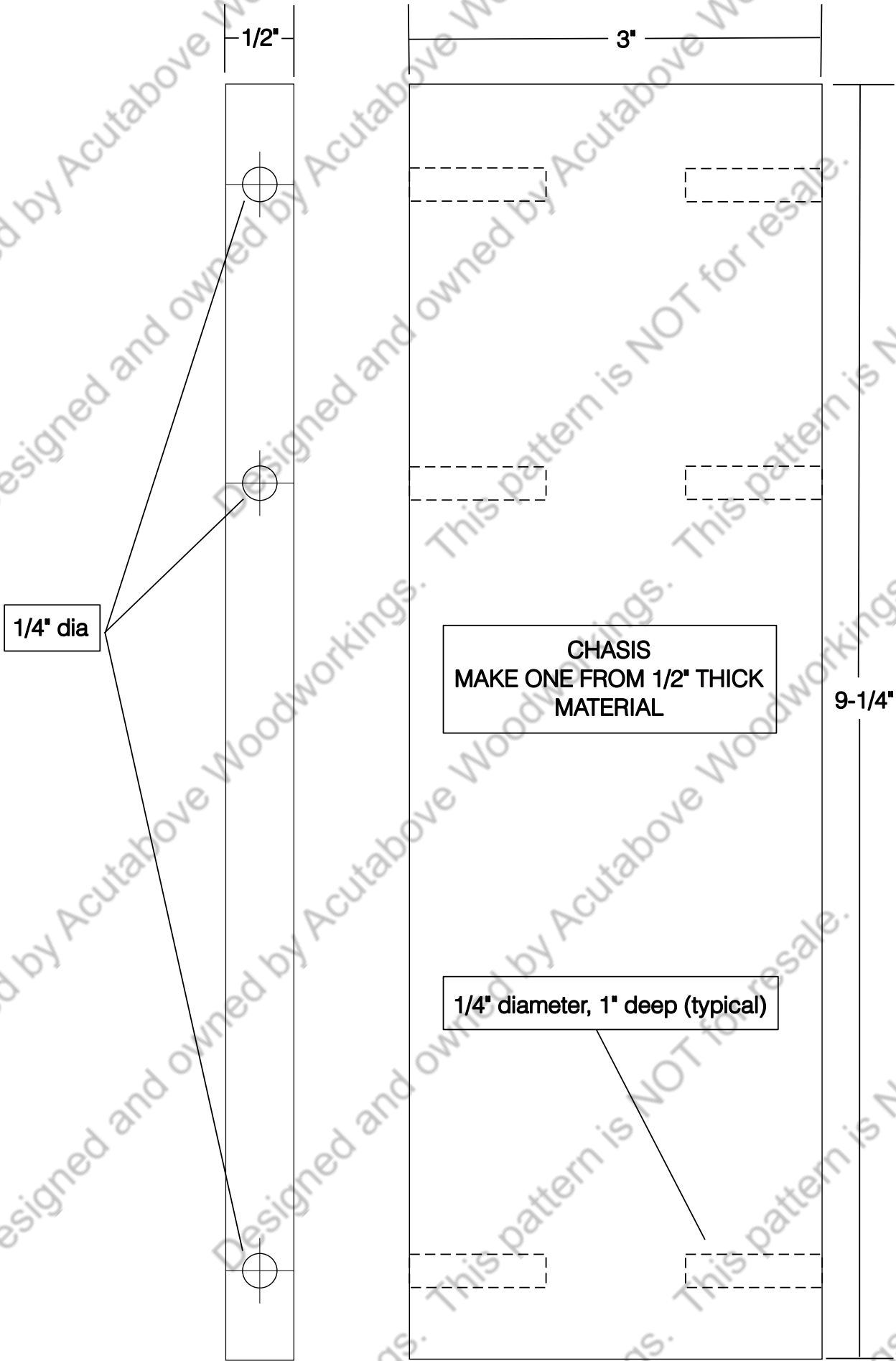


Acutabovewoodworking's
GARBAGE TRUCK TOY
www.acutabovewoodworkings.com

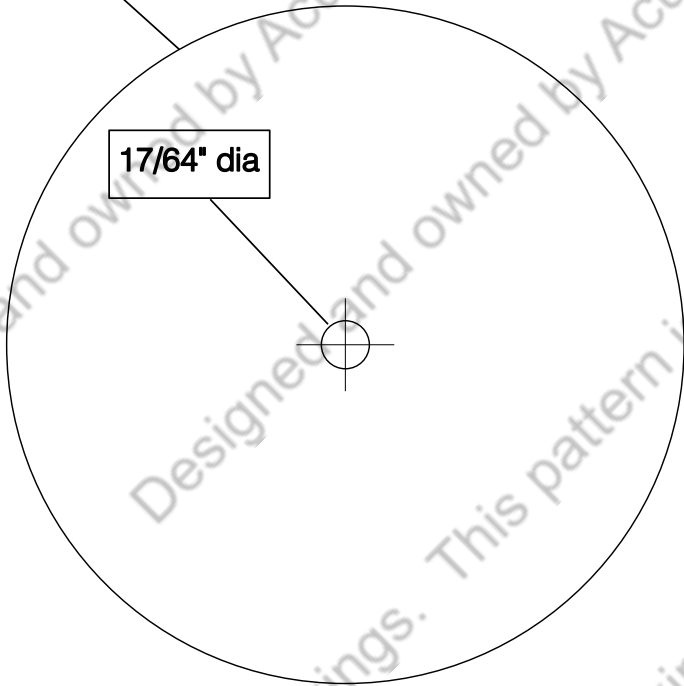


Designed and owned by Acutabove Woodworkings. This pattern is NOT for resale.

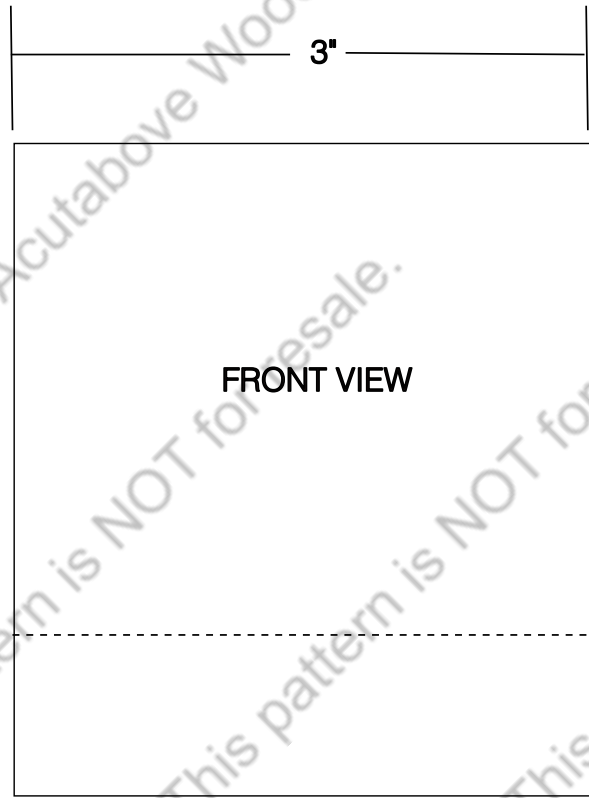
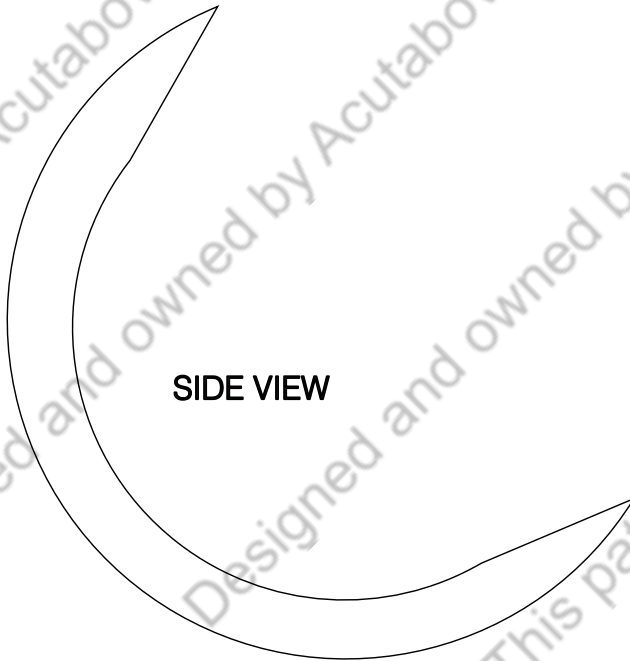


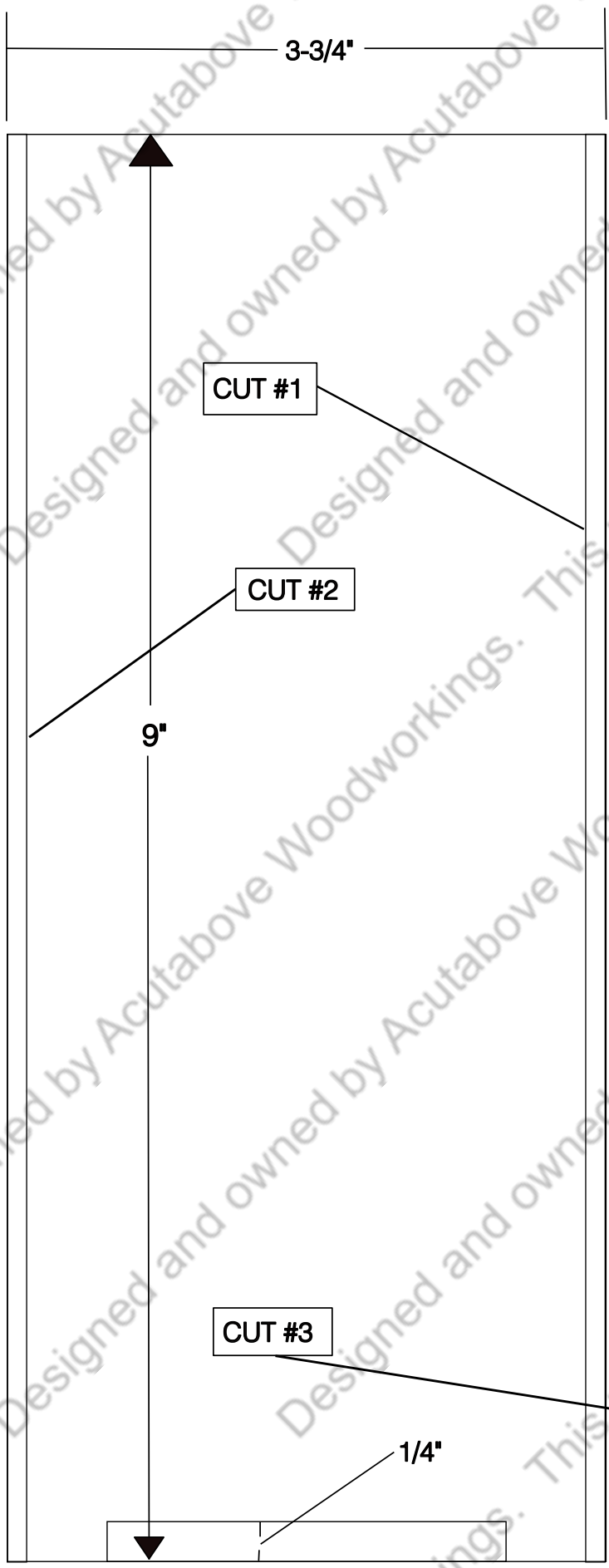
3-1/2" dia.

17/64" dia

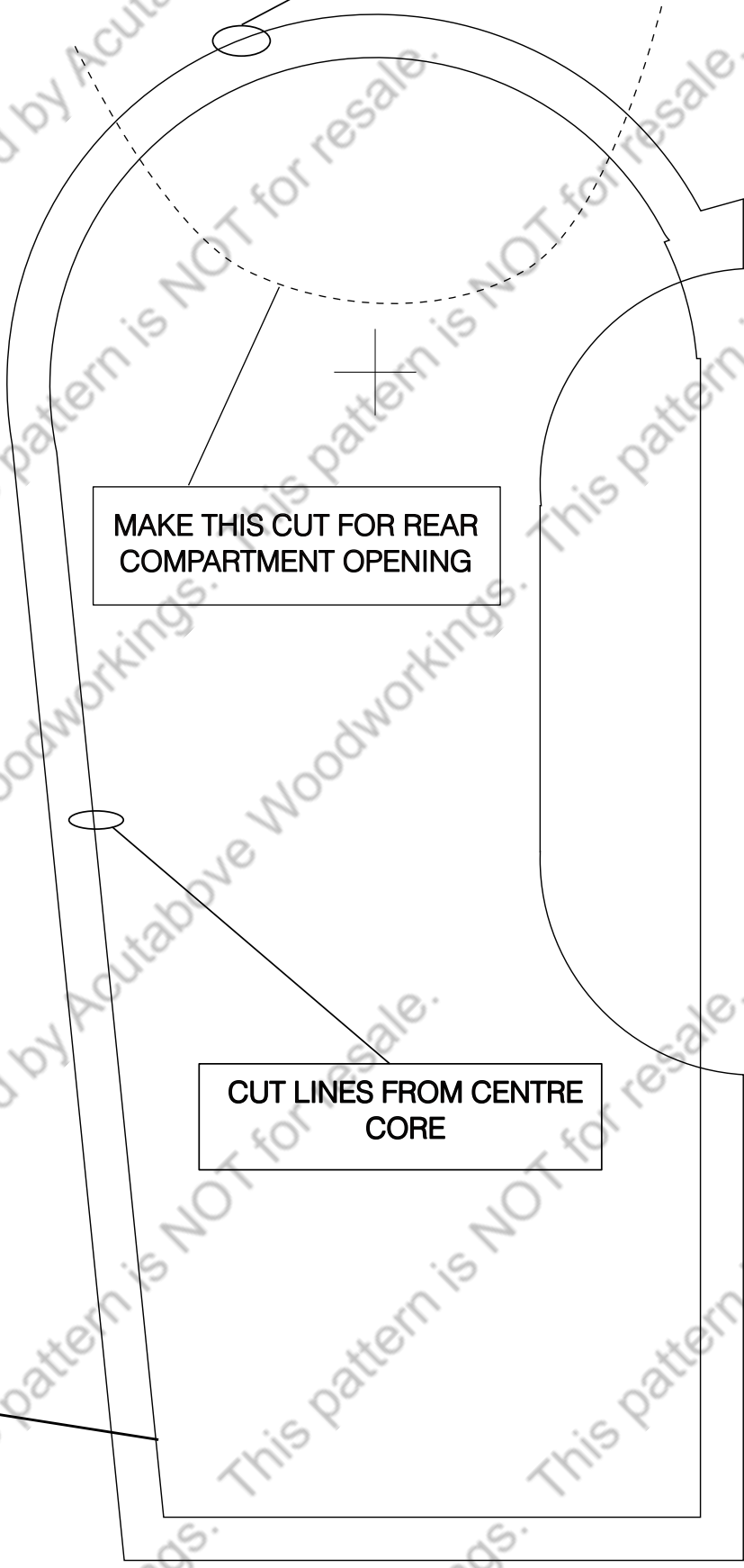


Outer drum disc. Make 2 from 1/4" thick material





CUT #4 AFTER LAMINATING SIDES BACK ON TO CORE CUT



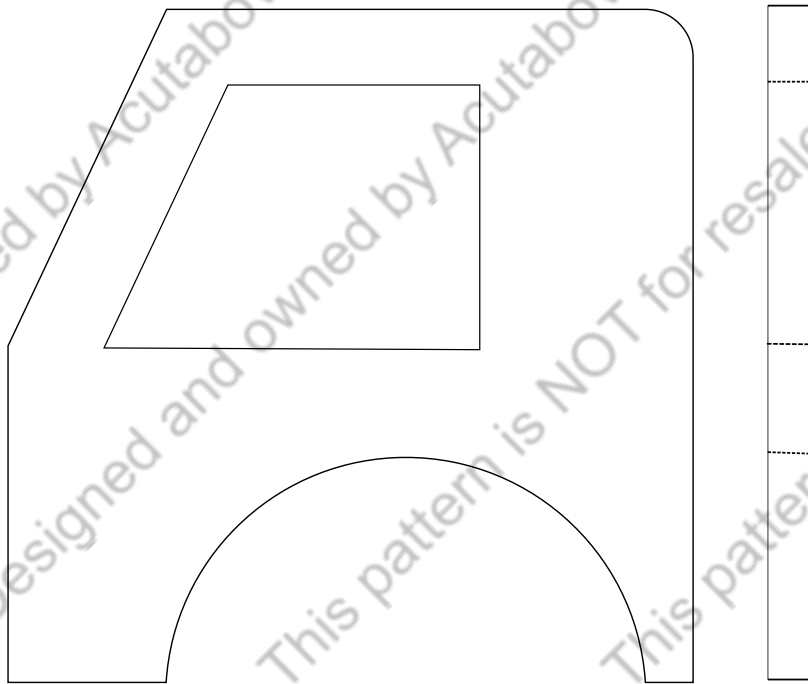
MAKE THIS CUT FOR REAR COMPARTMENT OPENING

CUT LINES FROM CENTRE CORE

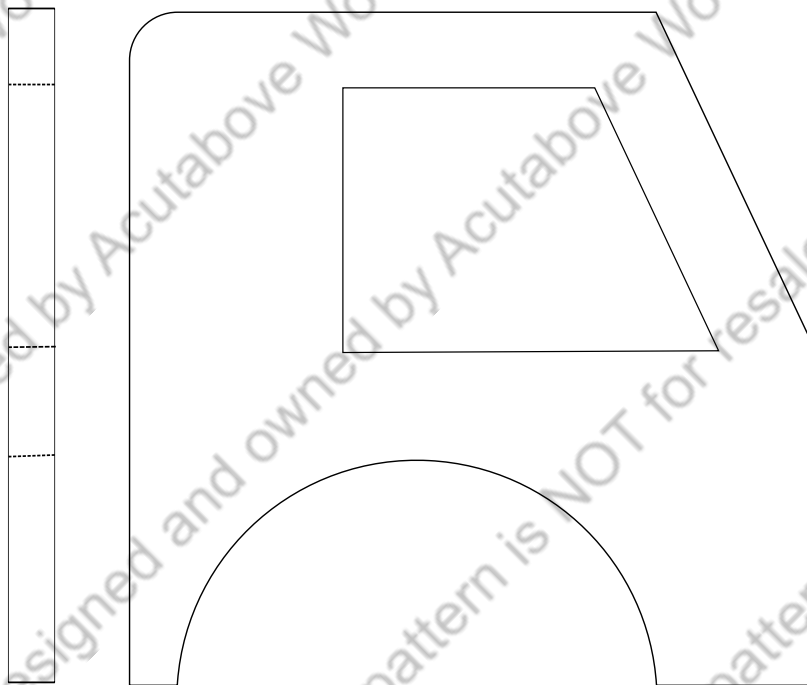
GARBAGE TRUCK REAR CONTAINER

1/8"

1/8"



Driver's Side Cab. Make 1 From 1/4" thick Stock



Passenger Side Cab. Make 1 from 1/4" thick Stock