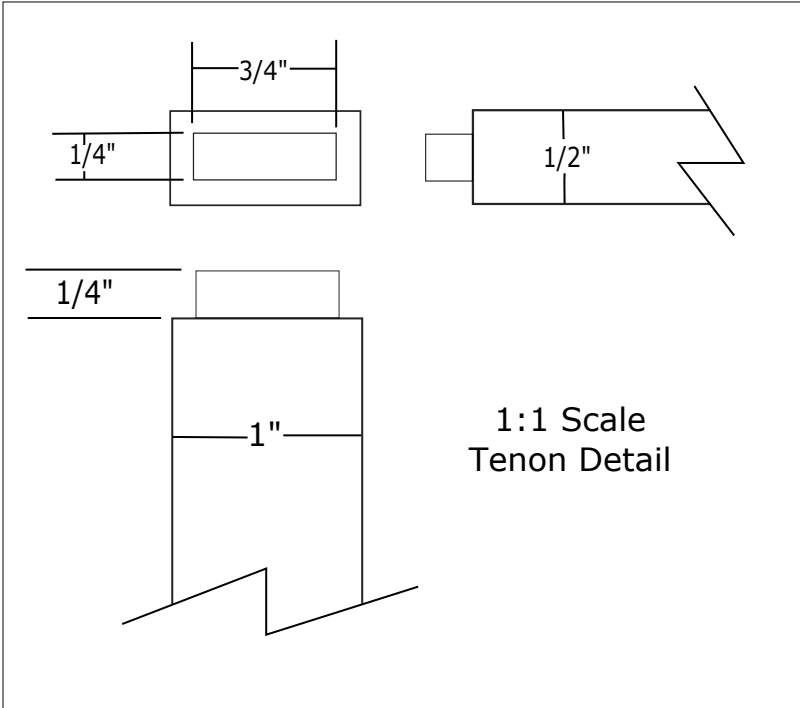


Acutabove Woodworkings' Baby Doll Bed.

acutabovewoodworkings.com



Mattress support slats. Make 14 @ 1/2"X8-1/4"X1/4"

