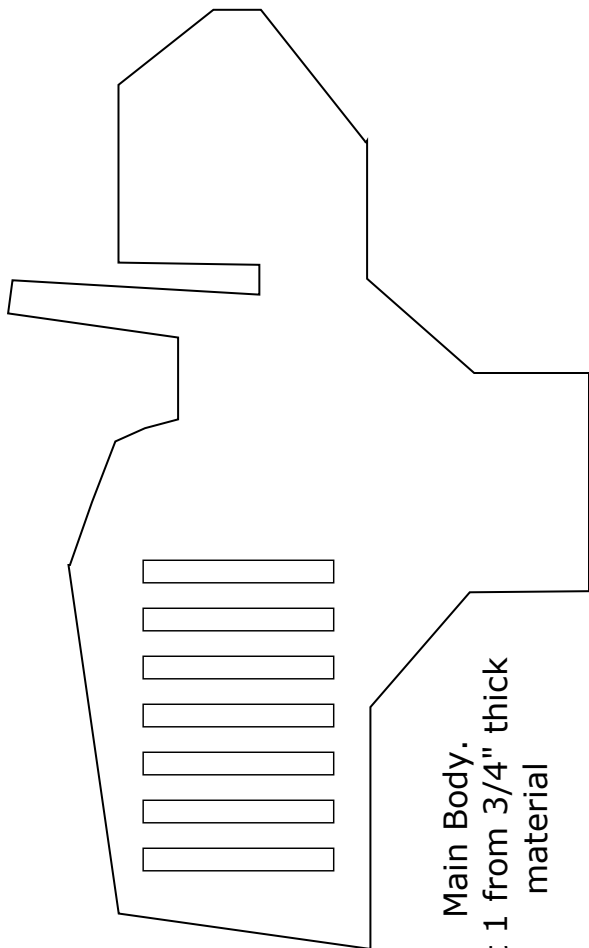
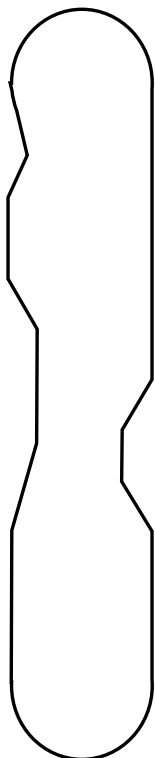


Acutabove Woodworking

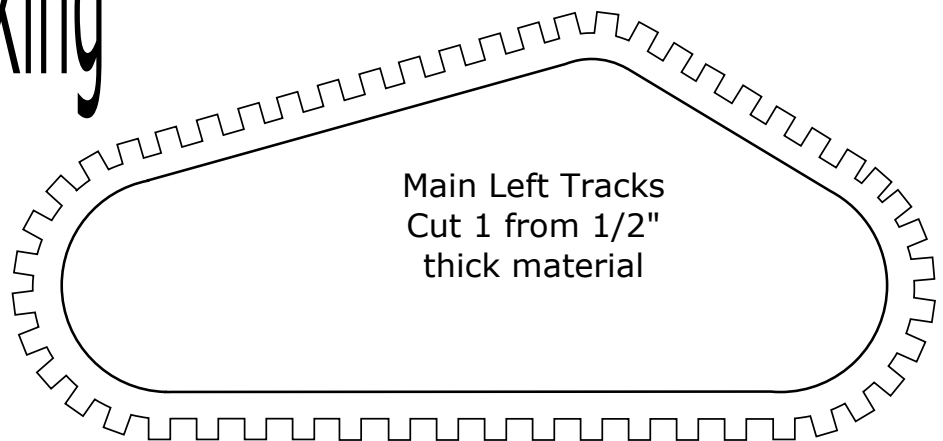
Toy Bulldozer Plan



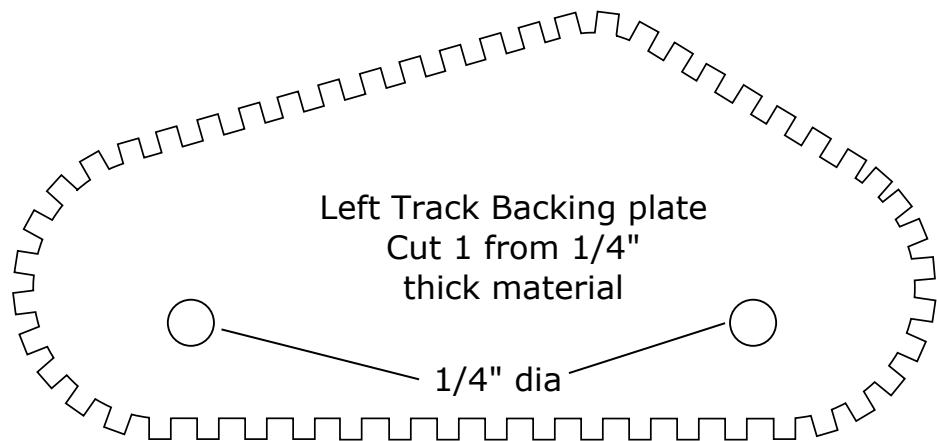
Main Body.
Cut 1 from 3/4" thick material



Track Wheel Cover Plates
Cut 2 from 1/8" thick material

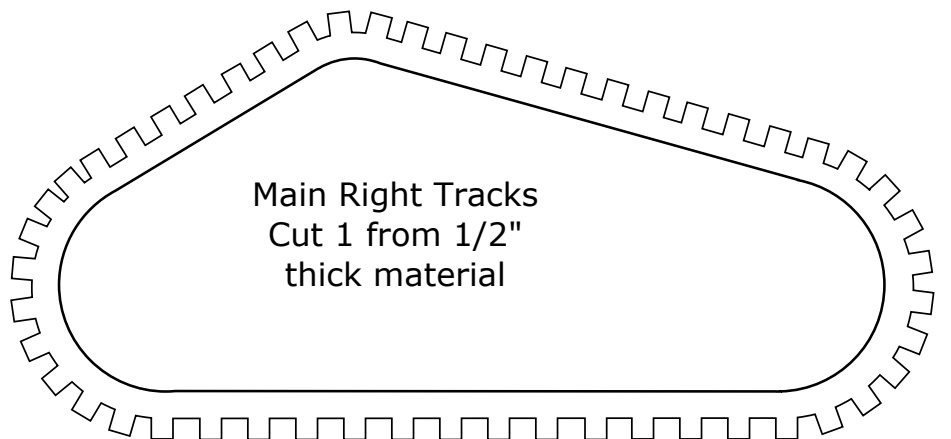


Main Left Tracks
Cut 1 from 1/2" thick material

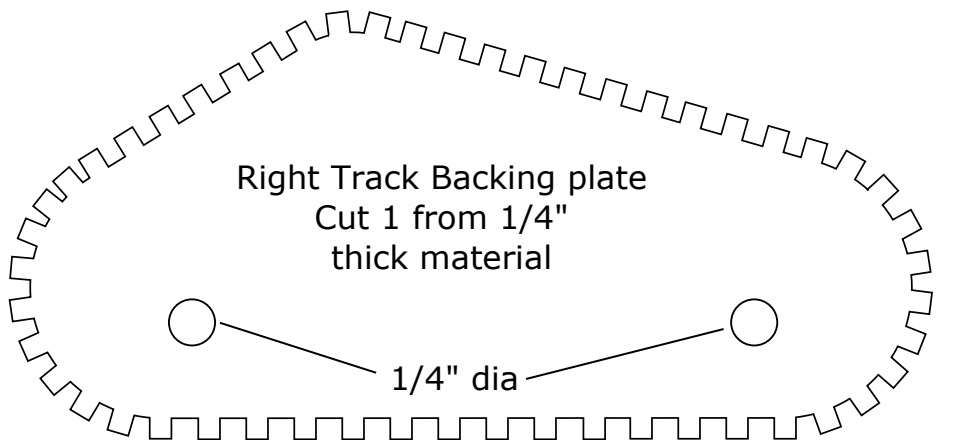


Left Track Backing plate
Cut 1 from 1/4" thick material

1/4" dia



Main Right Tracks
Cut 1 from 1/2" thick material

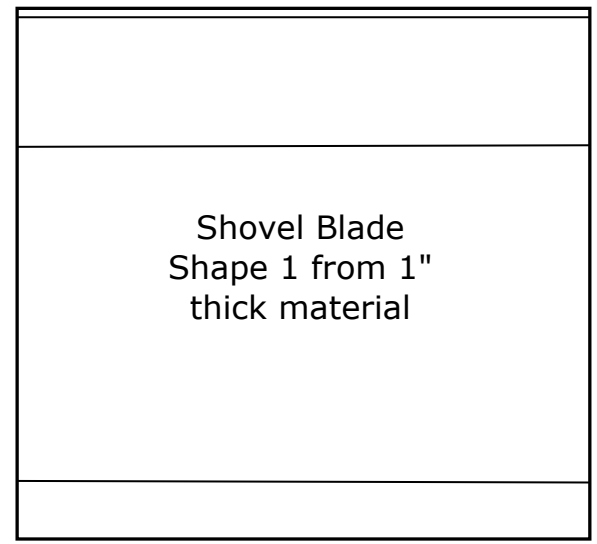
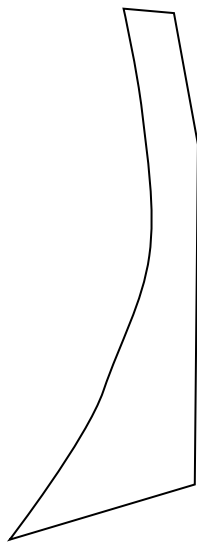


Right Track Backing plate
Cut 1 from 1/4" thick material

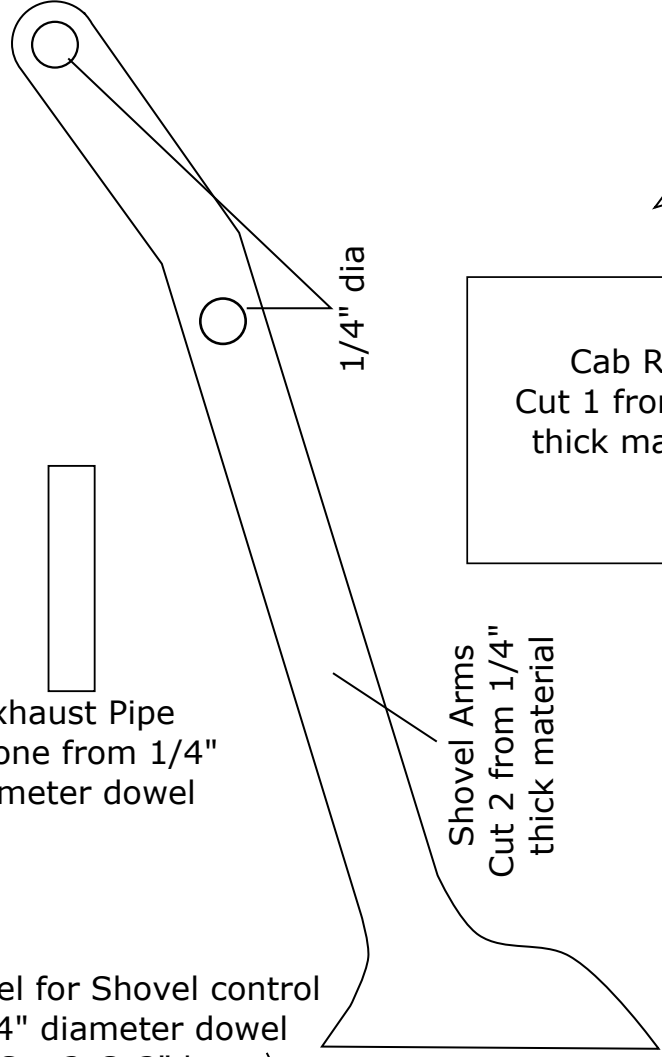
1/4" dia

Acutabove Woodworking

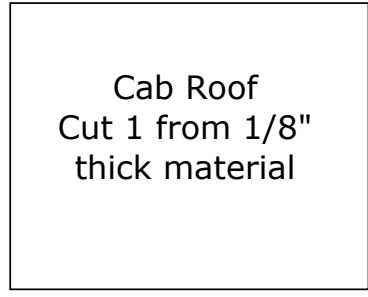
Toy Bulldozer Plan



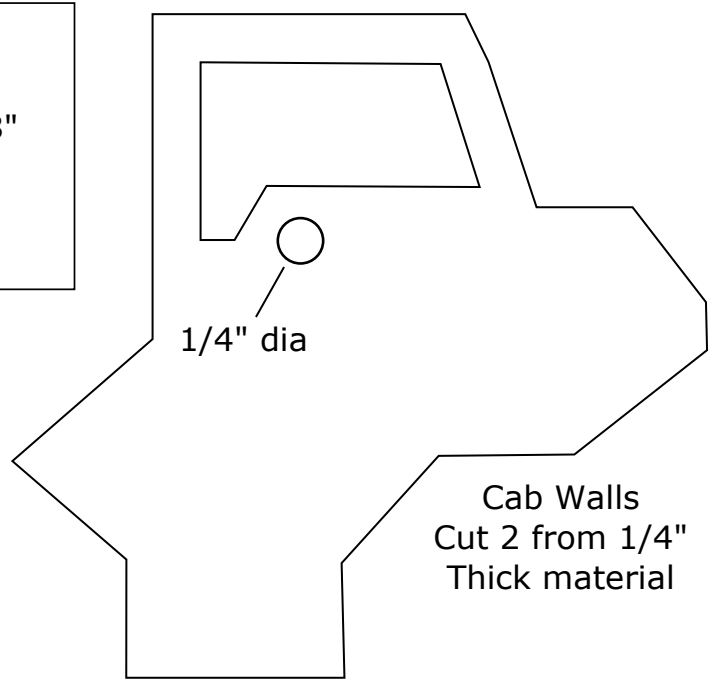
Shovel Blade
Shape 1 from 1"
thick material



1/4" dia

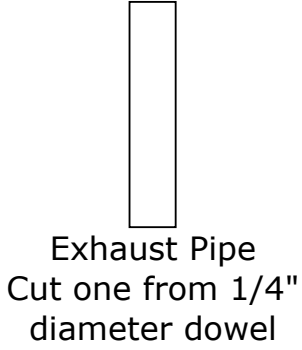


Cab Roof
Cut 1 from 1/8"
thick material



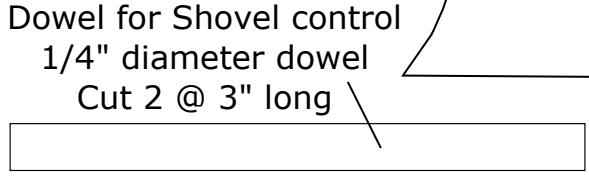
1/4" dia

Cab Walls
Cut 2 from 1/4"
Thick material

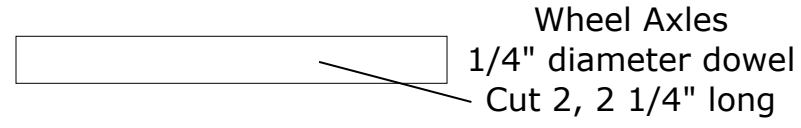


Exhaust Pipe
Cut one from 1/4"
diameter dowel

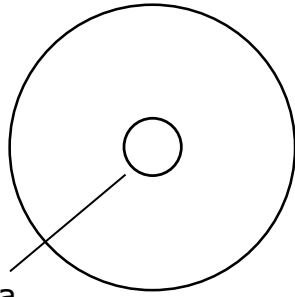
Shovel Arms
Cut 2 from 1/4"
thick material



Dowel for Shovel control
1/4" diameter dowel
Cut 2 @ 3" long

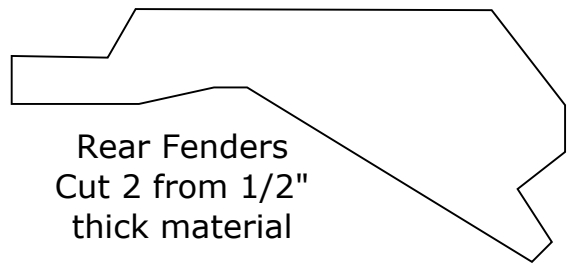


Wheel Axles
1/4" diameter dowel
Cut 2, 2 1/4" long

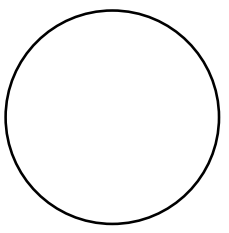
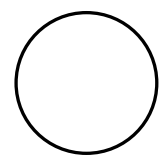
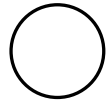
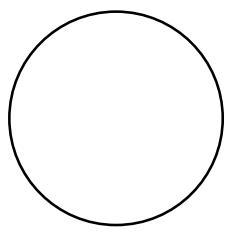


5/16" dia

Wheels.
Cut 2 from 1 1/2"
diameter dowel
1 1/4" long



Rear Fenders
Cut 2 from 1/2"
thick material



Track wheels
Cut 2 each from 1/4"
thick material