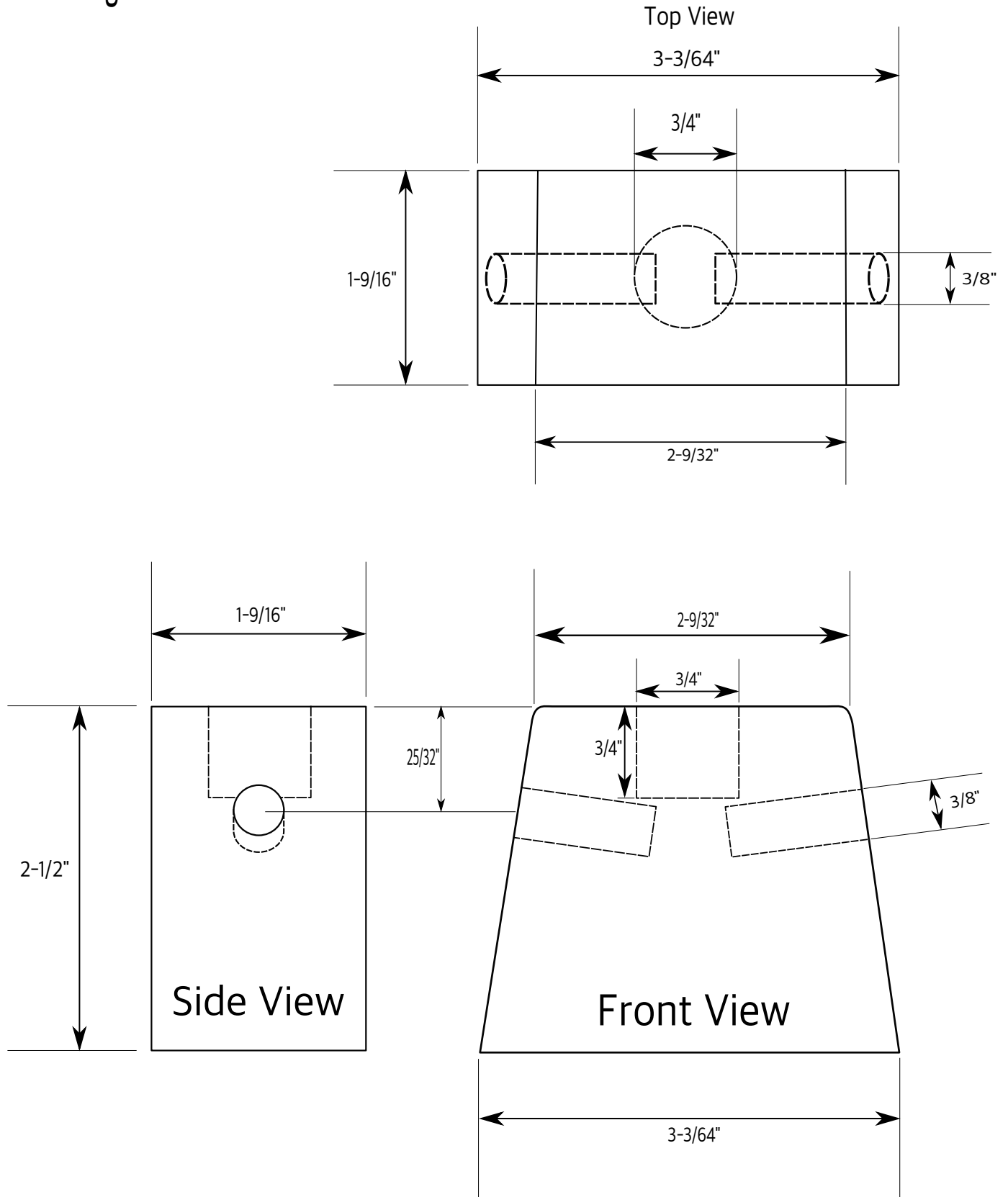


Acutabove Woodworking

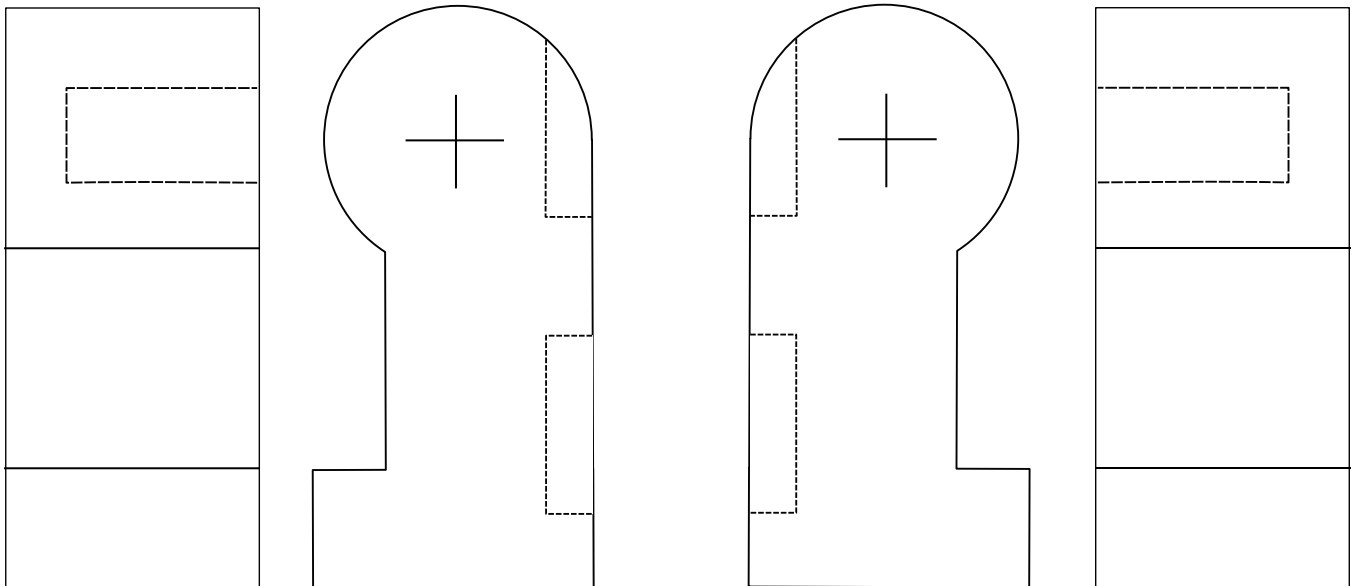
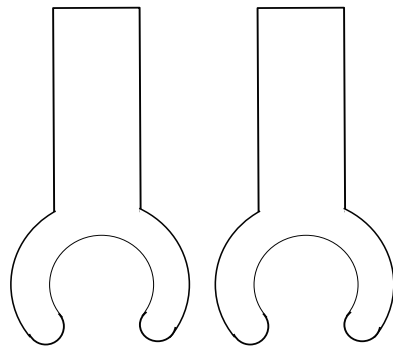
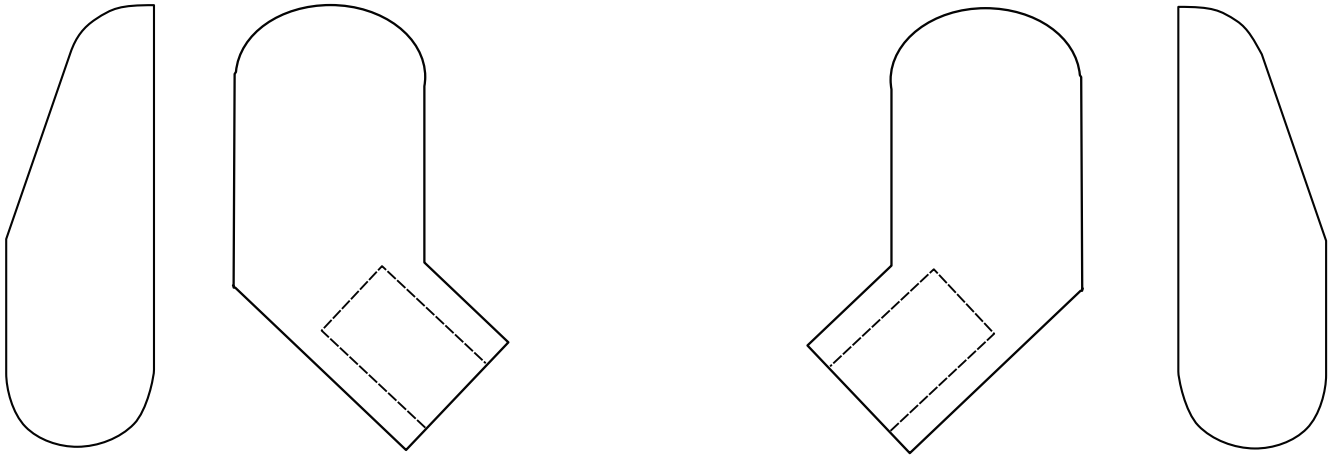
Wooden Mini-Figure Pattern



Body Details

Acutabove Woodworking

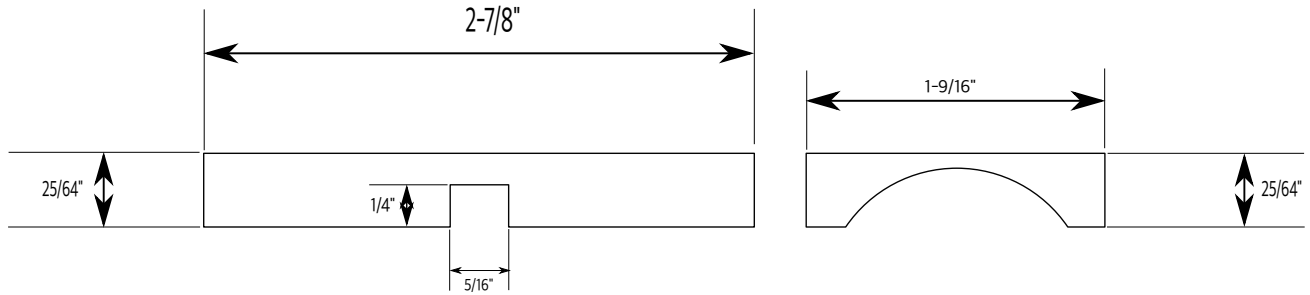
Wooden Mini-Figure Pattern



Acutabove Woodworking

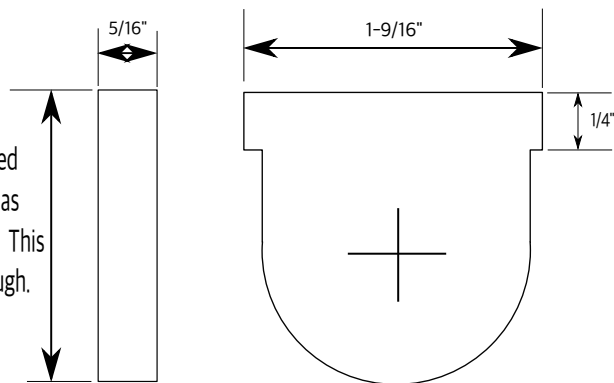
Wooden Mini-Figure Pattern

Mini figure's Waist Piece.



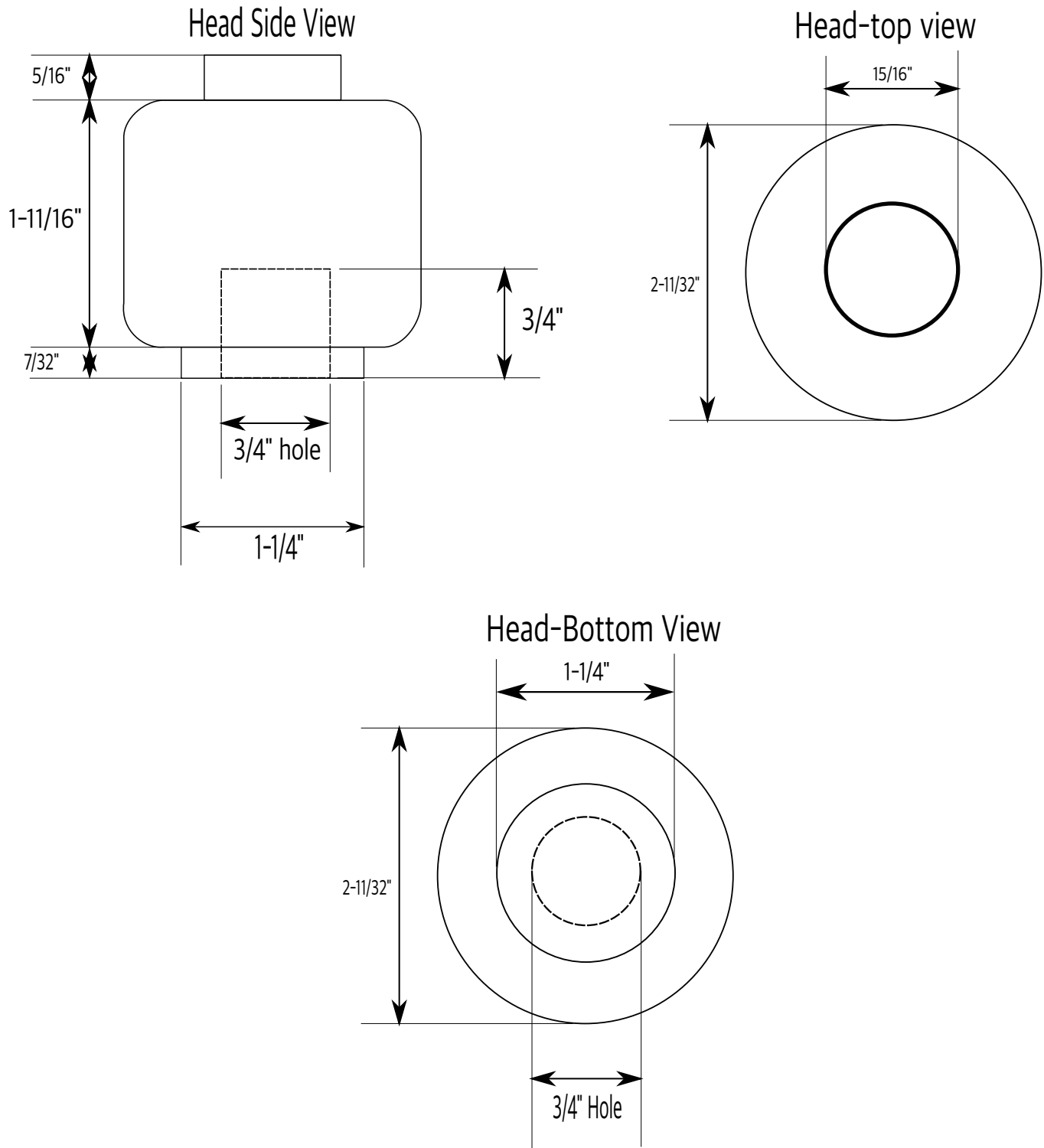
Waist Center Divider

This dimension is determined by tracing your leg cutouts as demonstrated in the video. This drawing is pretty close though.



Acutabove Woodworking

Wooden Mini-Figure Pattern



Head Details