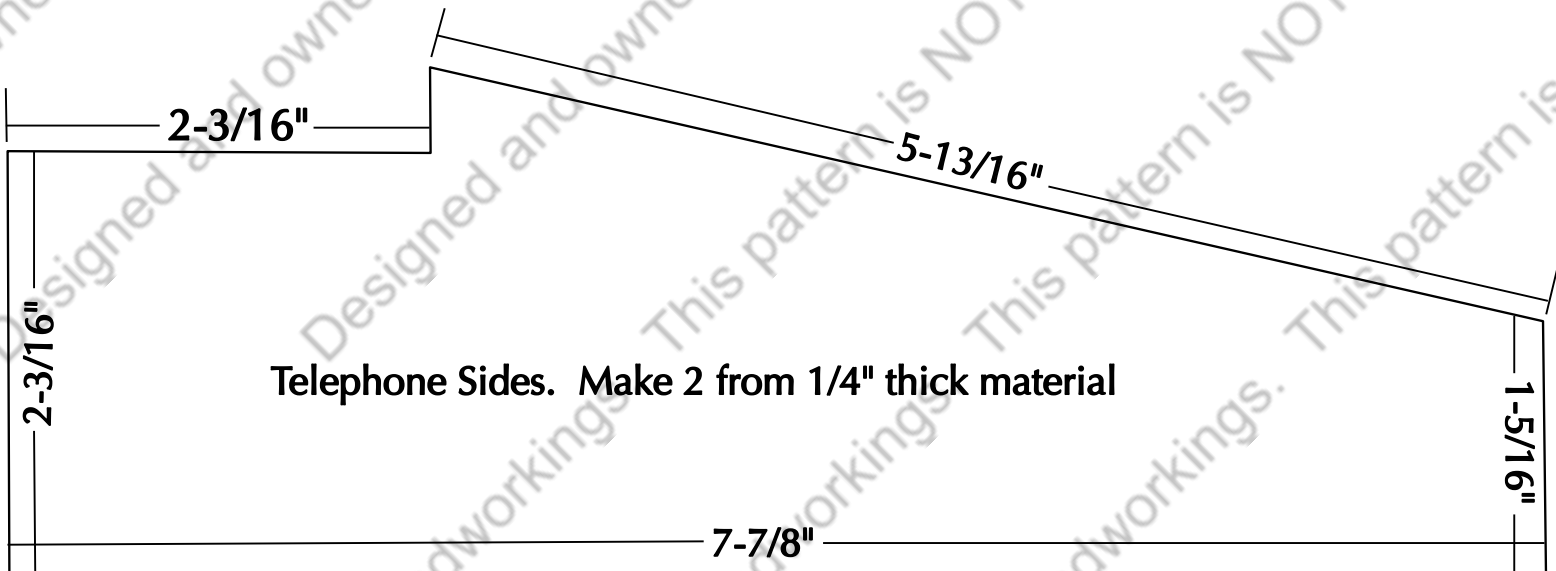
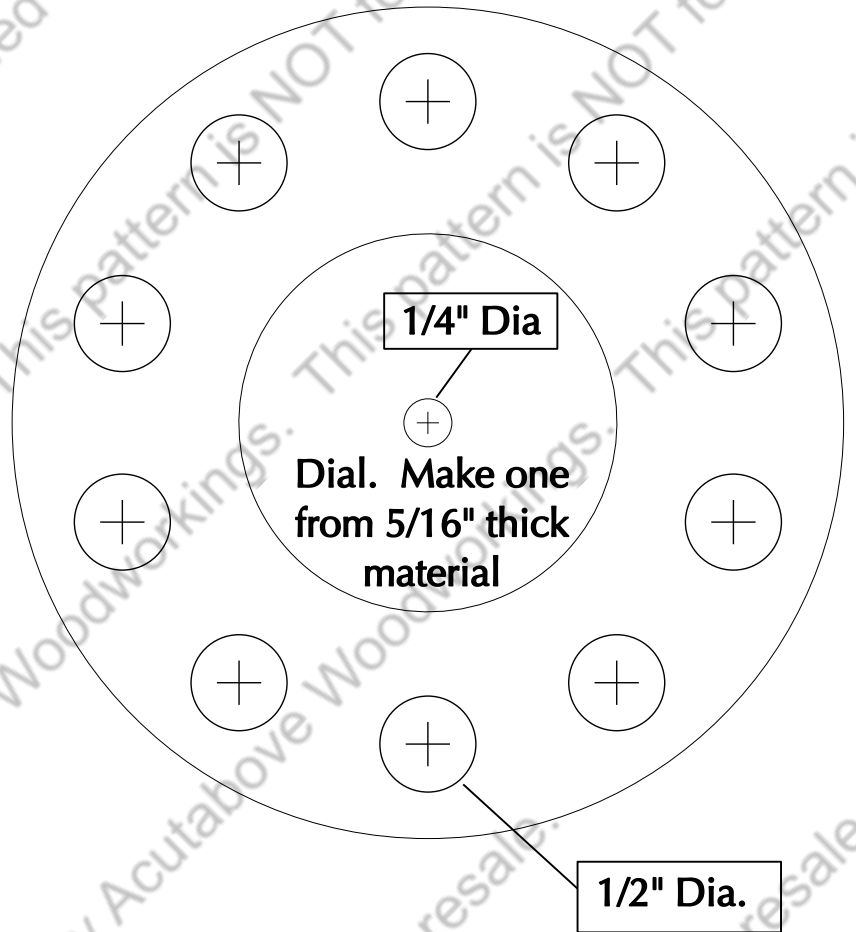
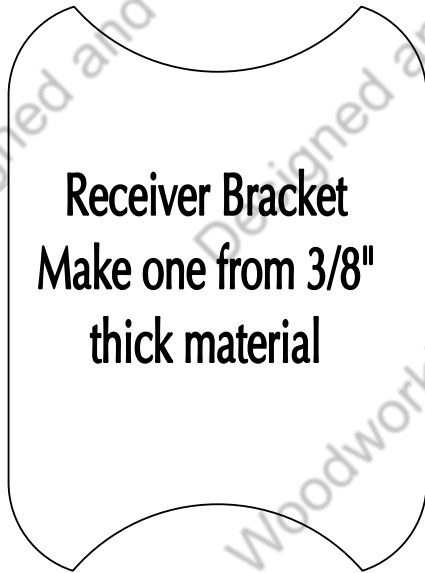


**Acutabove Woodworkings**  
**Classic Phone Toy**  
[www.acutabovewoodworkings.com](http://www.acutabovewoodworkings.com)



**Acutabove Woodworkings**  
**Classic Phone Toy**  
[www.acutabovewoodworkings.com](http://www.acutabovewoodworkings.com)

Receiver Ear and  
Mouth Piece.  
Make 2 from 3/4"  
Thick Material

2" Dia.

Receiver platform. Make one from 3/4" thick material

5-1/2"

2-3/16"

Phone Back Panel. Make one from 3/4" thick material

5-1/2"

1-7/16"

Receiver handle. Make one from 1/2" thick material.

5-1/2"

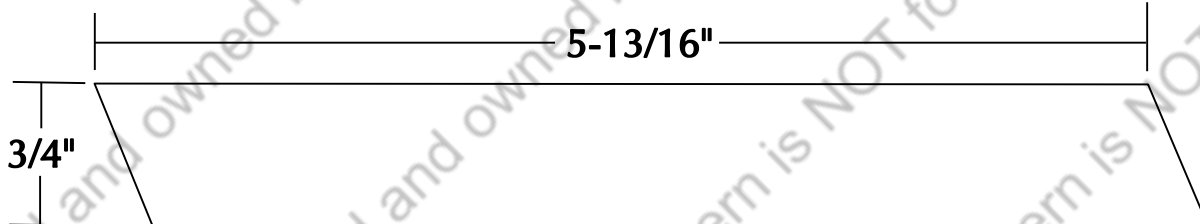
1"

Front Face. Make one from 1/8" thick material.

1-5/16"

6"

**Acutabove Woodworkings**  
**Classic Phone Toy**  
**[www.acutabovewoodworkings.com](http://www.acutabovewoodworkings.com)**



**Phone Top Panel. Make one from  $3/4''$  thick material.  
Ends cut at  $13^\circ$  angle.**

**Phone's bottom panel will be cut from  $3/4''$  thick material. Cut one panel  $7-1/4''$  X  $5-1/2''$ . Use a block plane to taper the top front edge to fit below the top panel of the phone. (piece not shown on pattern)**