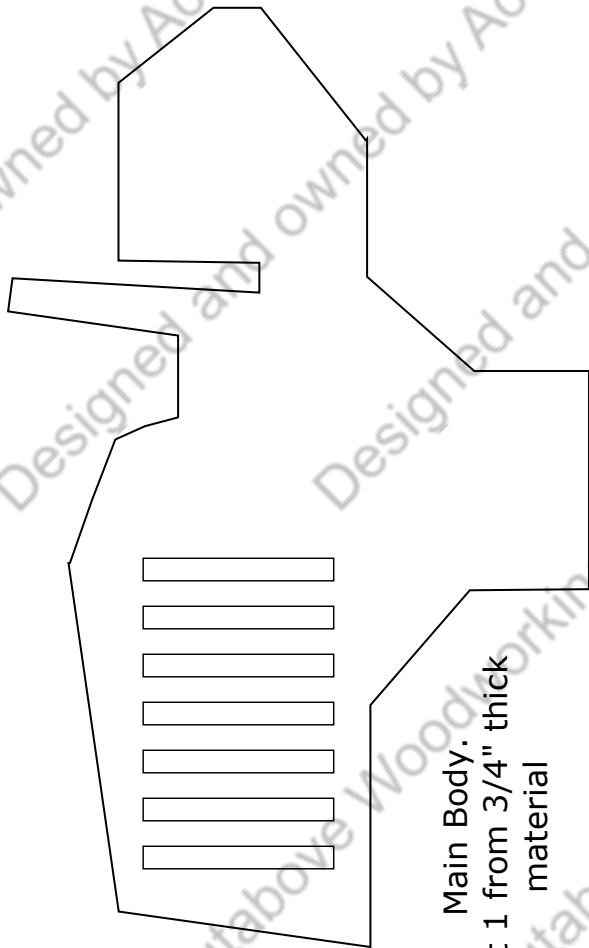


Acutabove Woodworking

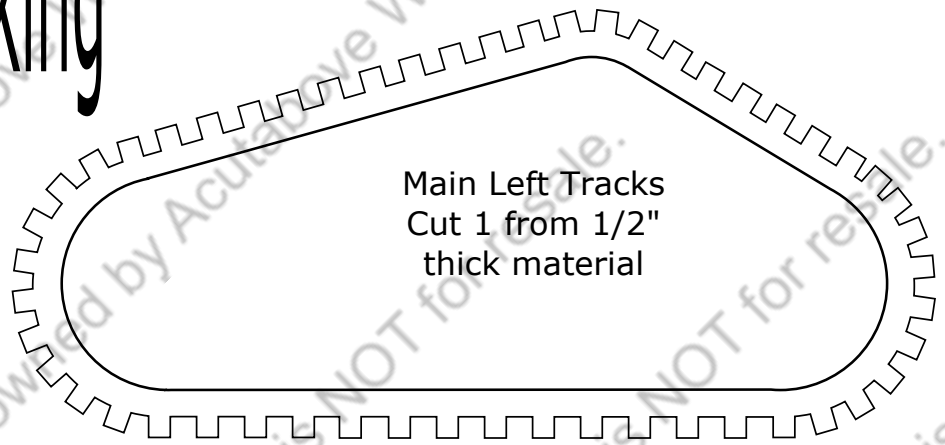
Toy Bulldozer Plan



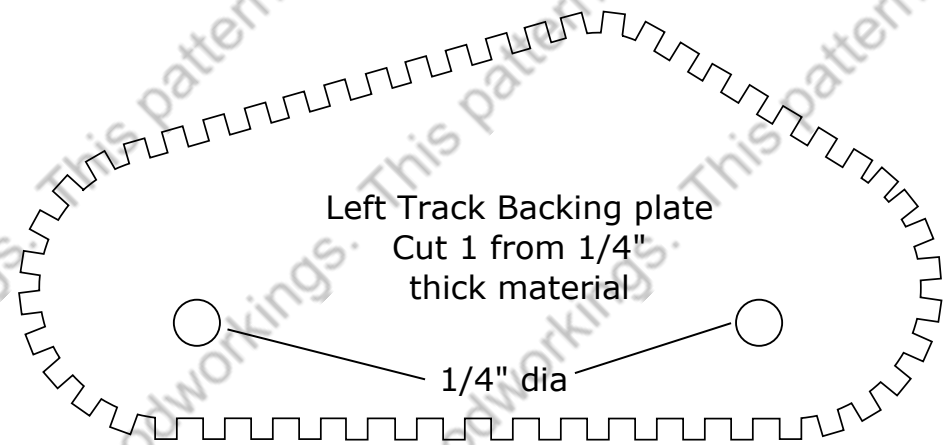
Main Body.
Cut 1 from 3/4" thick material



Track Wheel Cover Plates
Cut 2 from 1/8" thick material

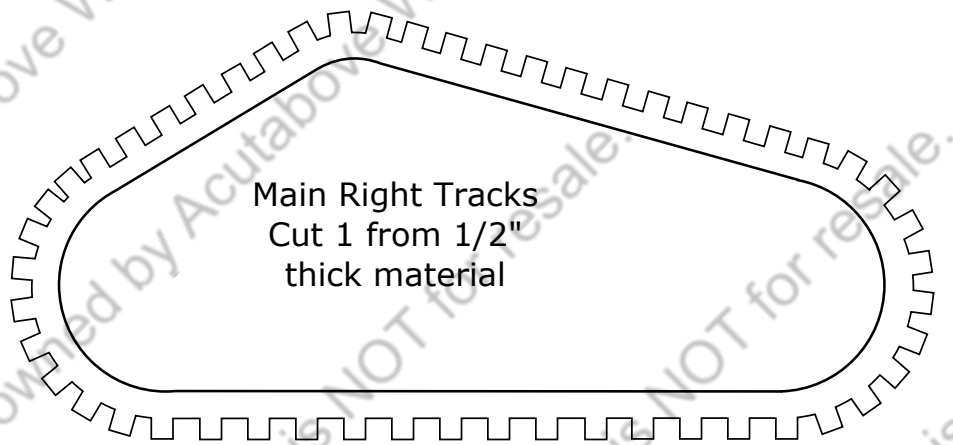


Main Left Tracks
Cut 1 from 1/2" thick material

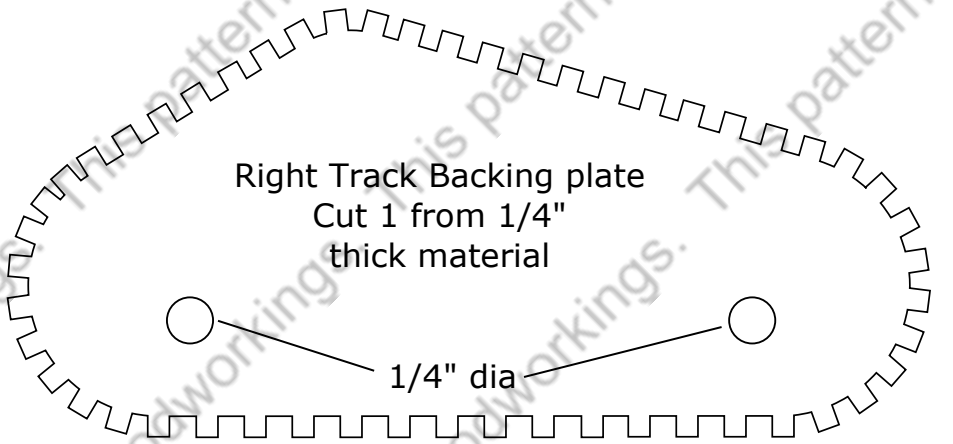


Left Track Backing plate
Cut 1 from 1/4" thick material

1/4" dia



Main Right Tracks
Cut 1 from 1/2" thick material



Right Track Backing plate
Cut 1 from 1/4" thick material

1/4" dia

Acutabove Woodworking

Toy Bulldozer Plan

