

Acutabovewoodworkings' Classic Candy Machine

acutabovewoodworkings.com

Cut List

Top. 1 piece 5-1/2" x 5-1/2" x 3/4"

Bottom. 1 piece 5-1/2" x 5-1/2" x 3/4"

Sides. 2 pieces 4" x 4" x 3/4"

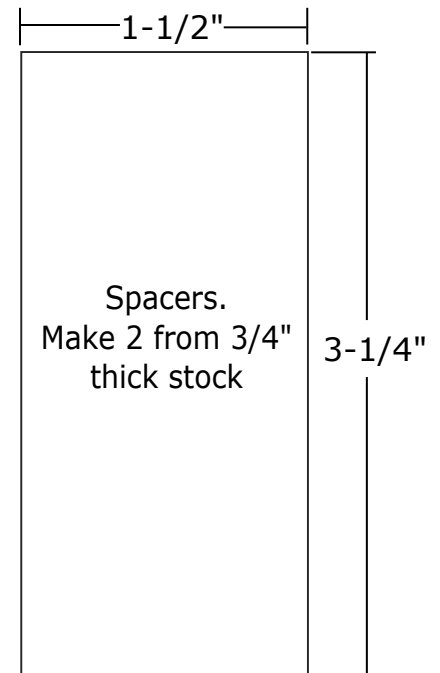
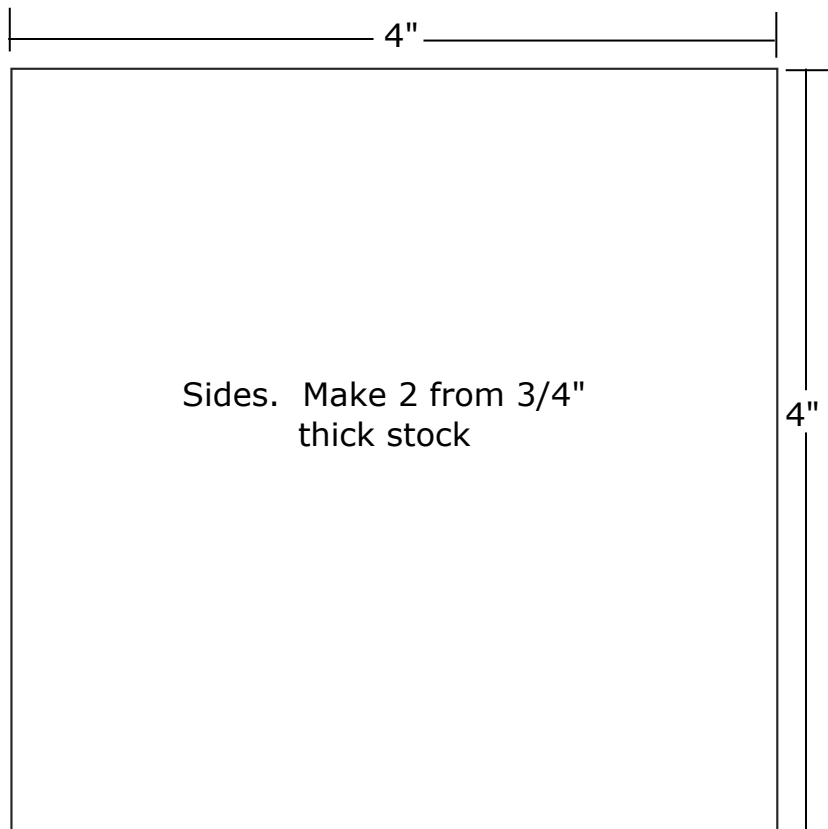
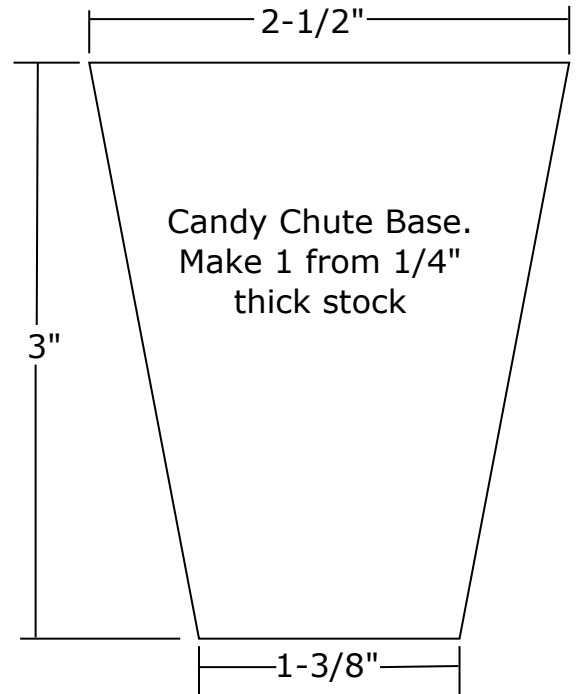
Spacers. 2 pieces 1-1/2" x 3-1/4" x 3/4"

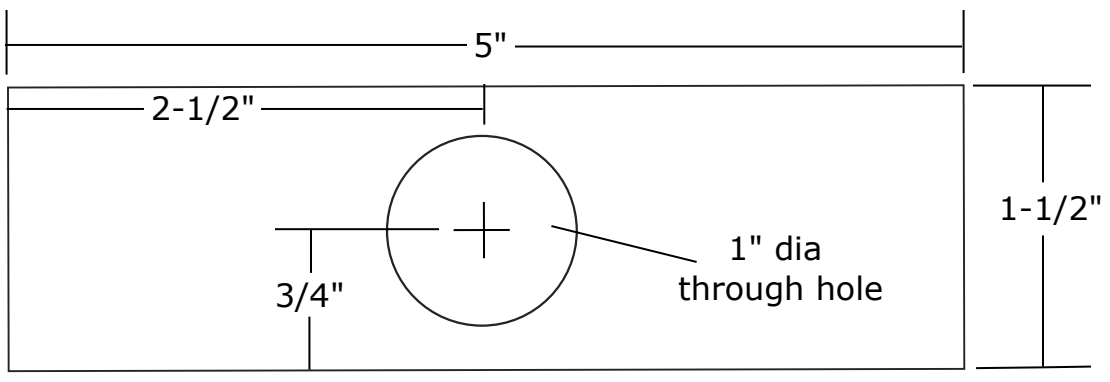
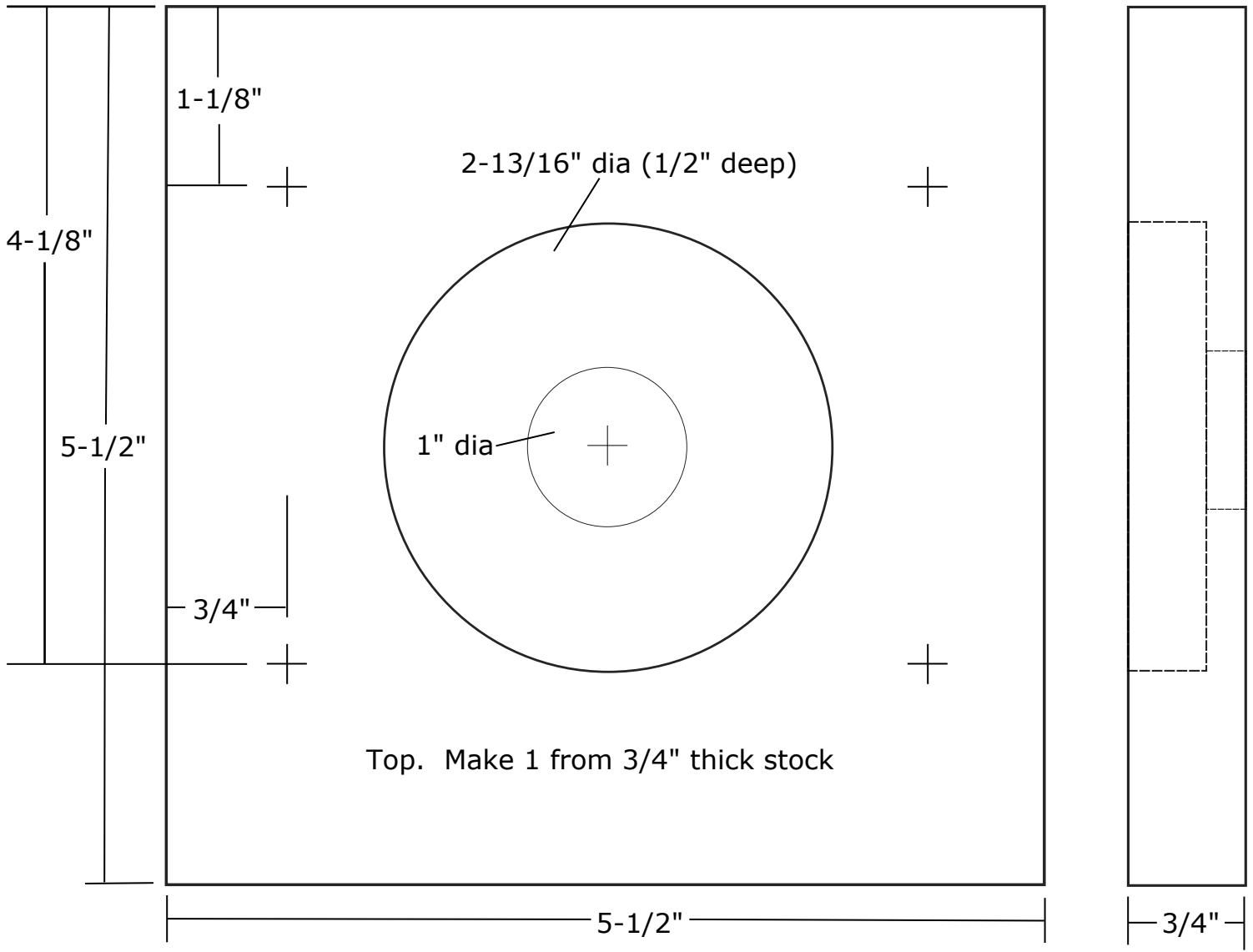
Slide Supports 2 pieces 3-1/4" x 4" x 3/4"

Slide 1 piece 1-1/2" x 5" x 3/4"

Chute Base 1 piece 2-1/2" x 3" x 1/4"

Candy Chute Sides 2 pieces 5/8" x 3-1/2" x 1/4"





Candy Slide. Make 1 from 3/4" thick stock

