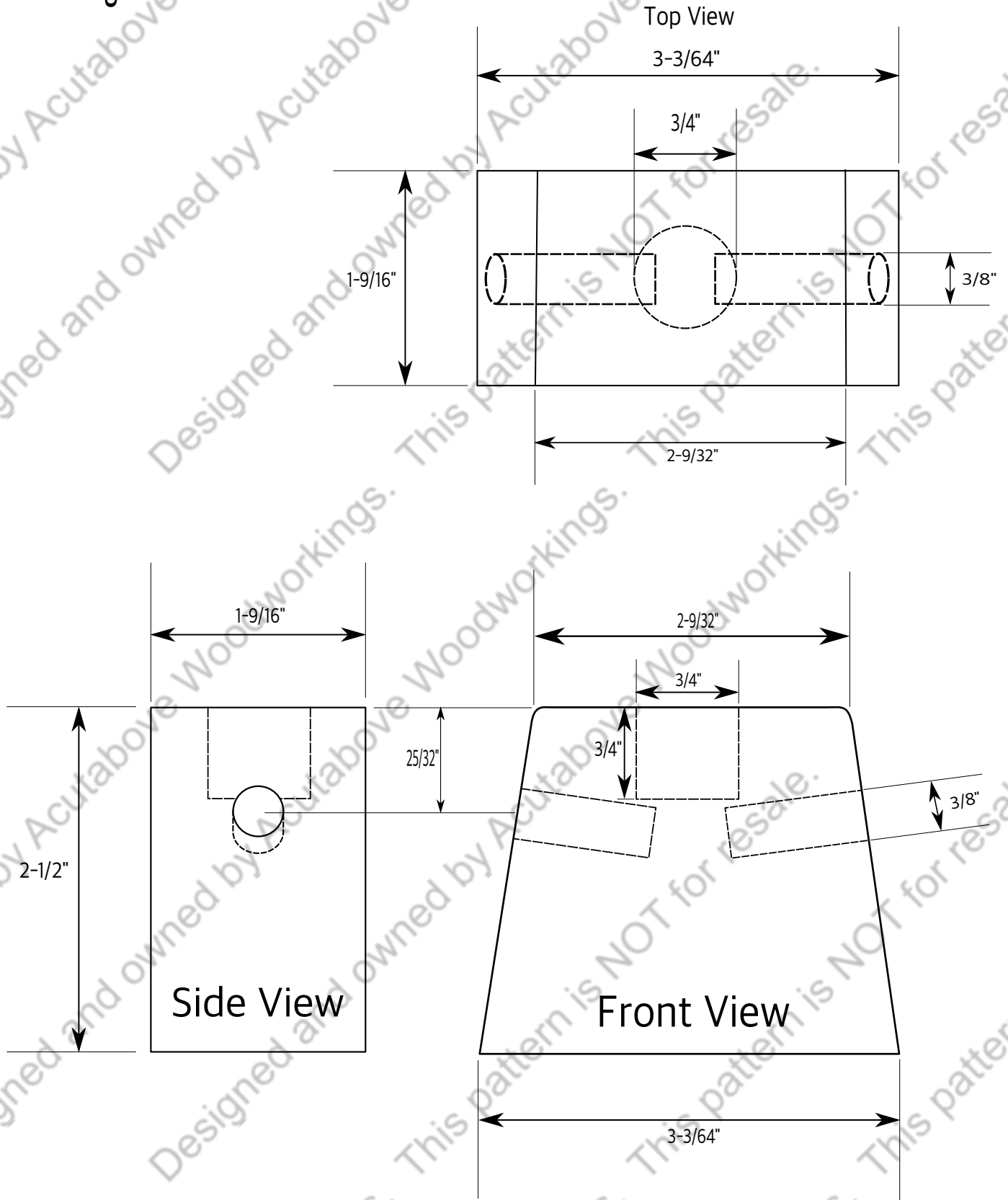


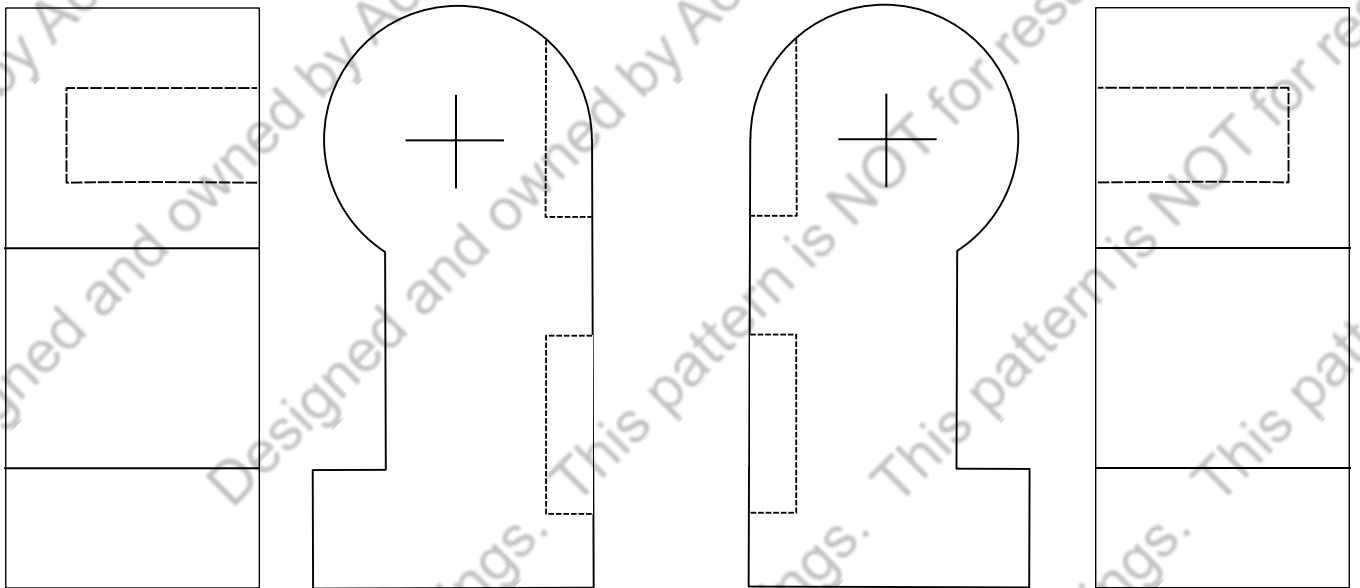
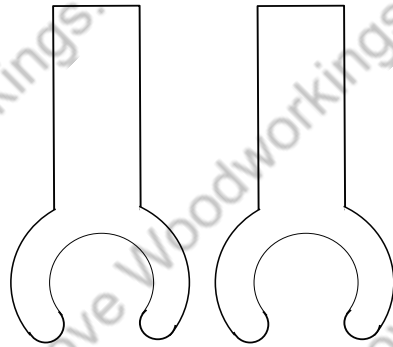
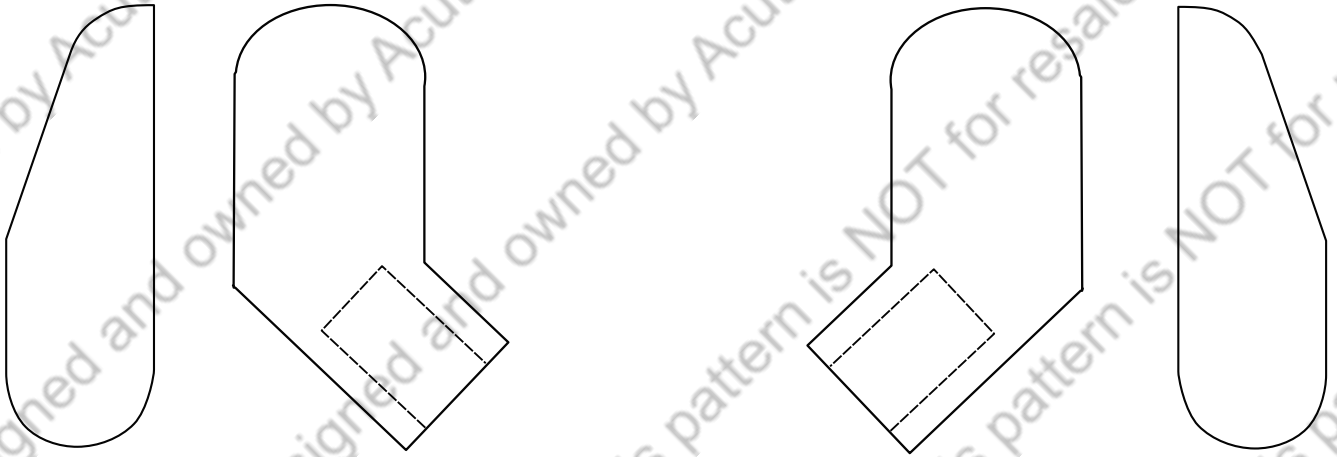
# Acutabove Woodworking

## Wooden Mini-Figure Pattern



Body Details

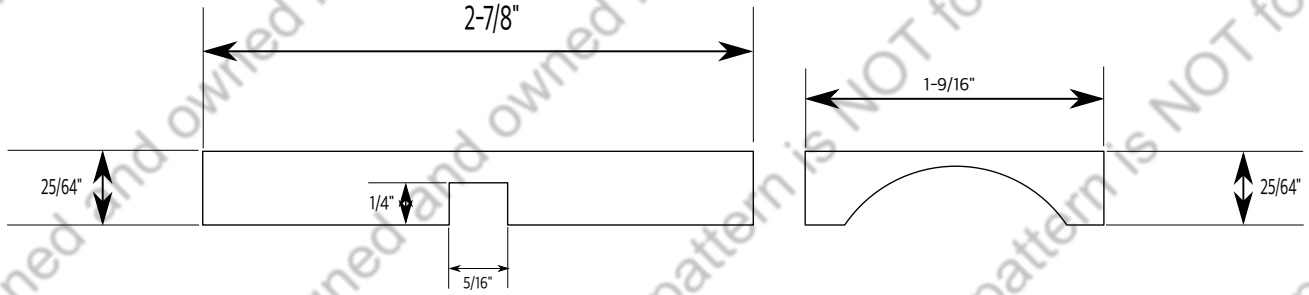
# Acutabove Woodworking Wooden Mini-Figure Pattern



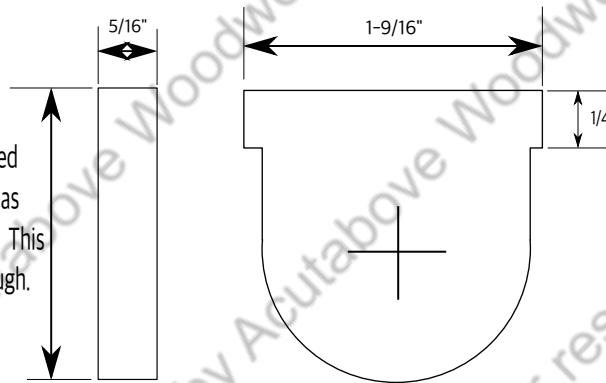
# Acutabove Woodworking

## Wooden Mini-Figure Pattern

### Mini figure's Waist Piece.



### Waist Center Divider

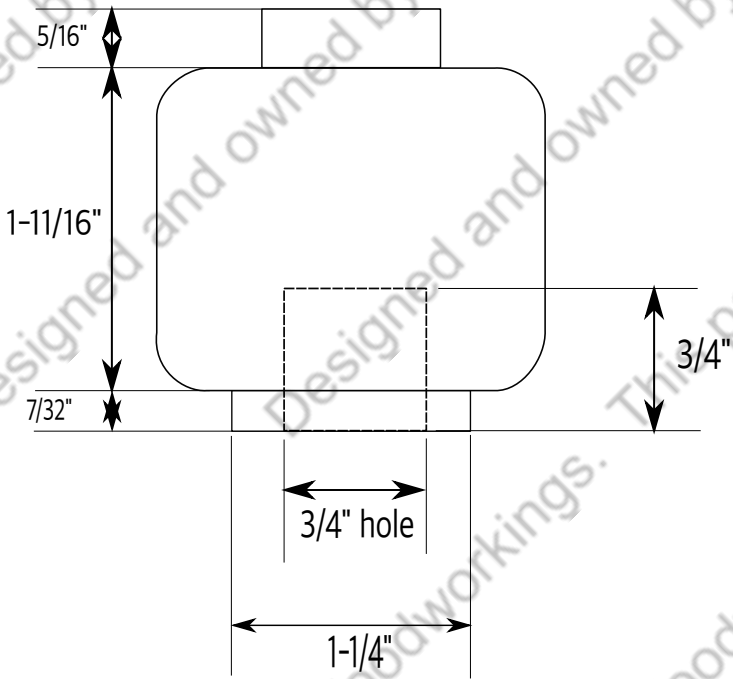


This dimension is determined by tracing your leg cutouts as demonstrated in the video. This drawing is pretty close though.

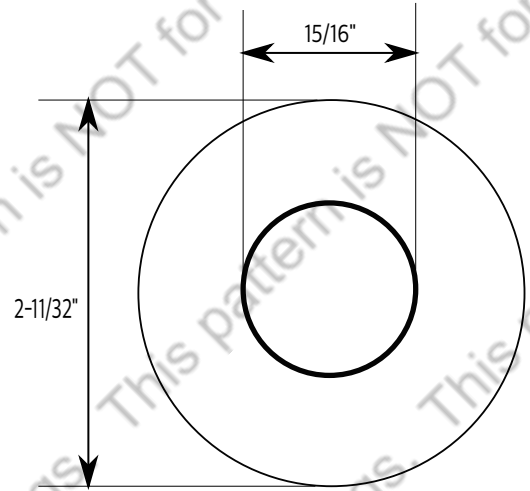
# Acutabove Woodworking

## Wooden Mini-Figure Pattern

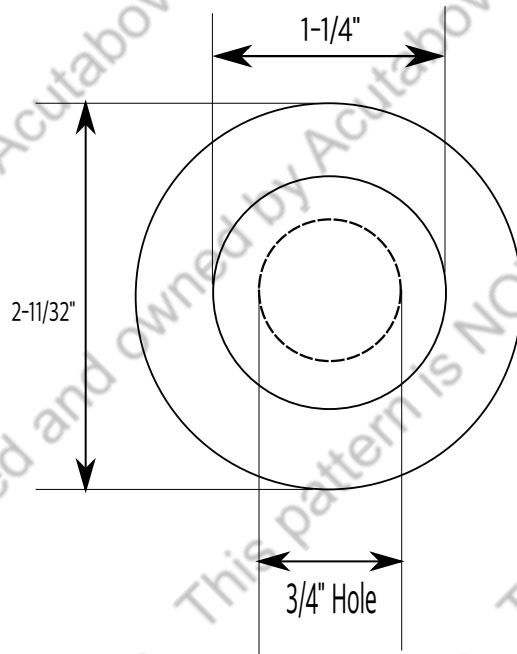
Head Side View



Head-top view



Head-Bottom View



Head Details