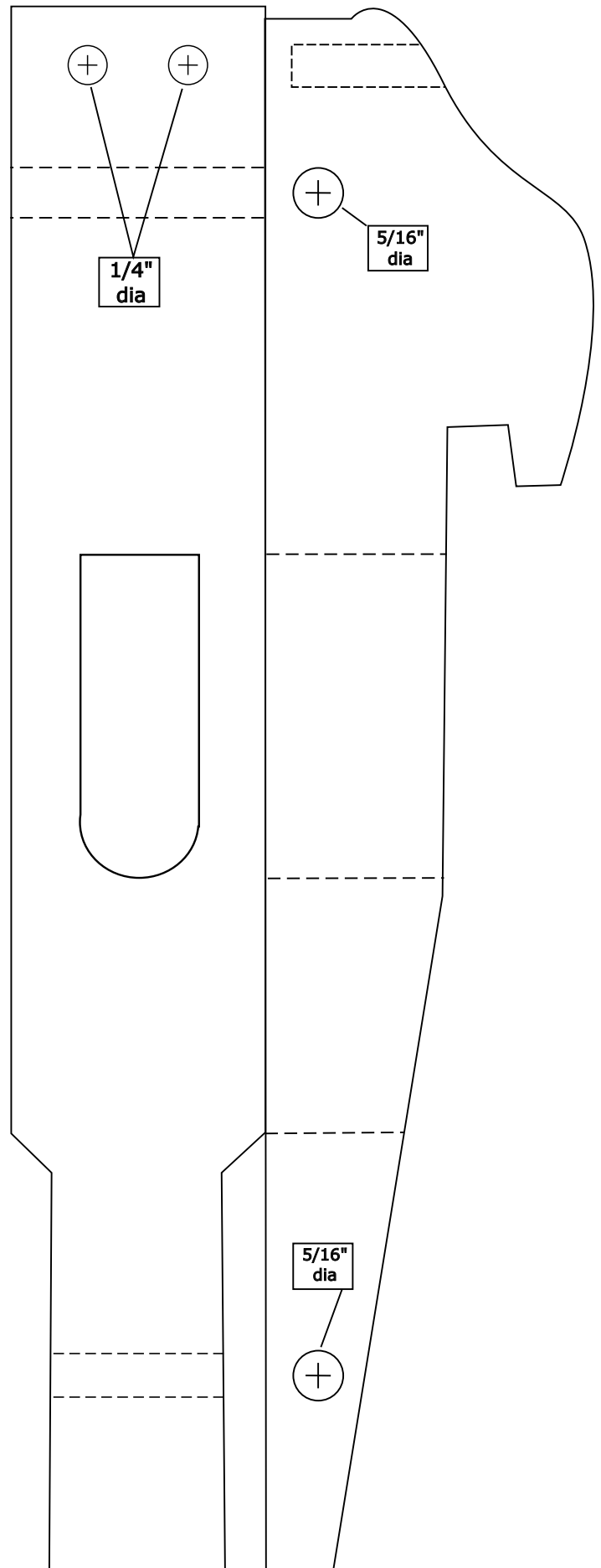
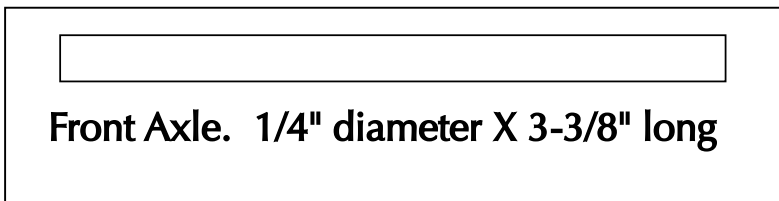
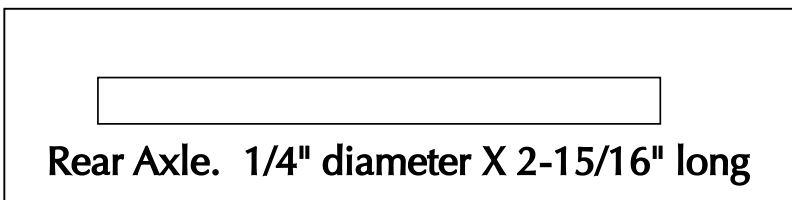
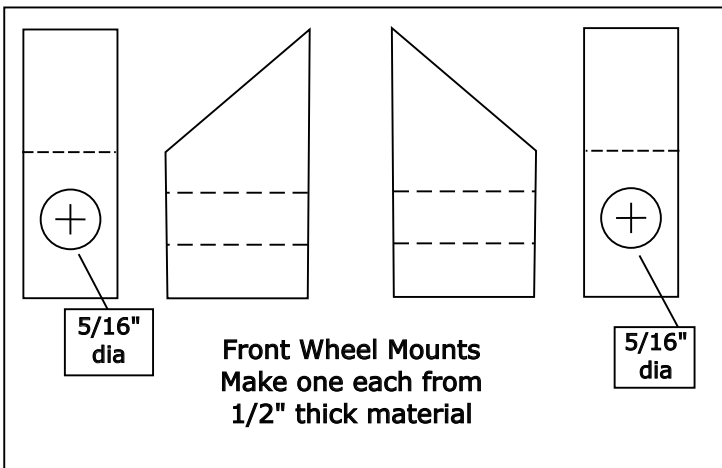
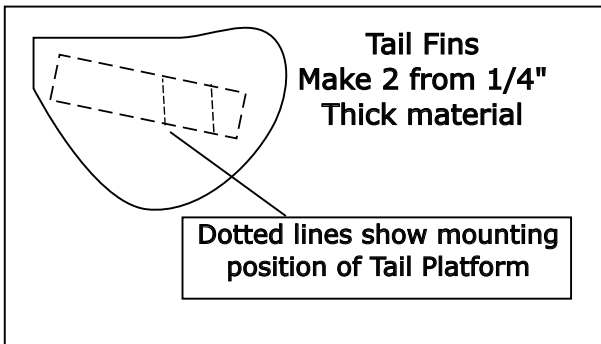
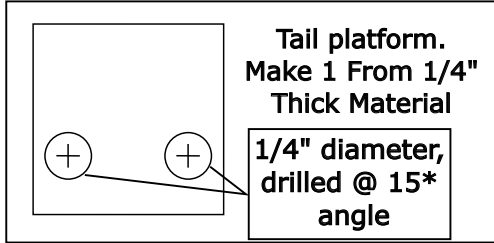


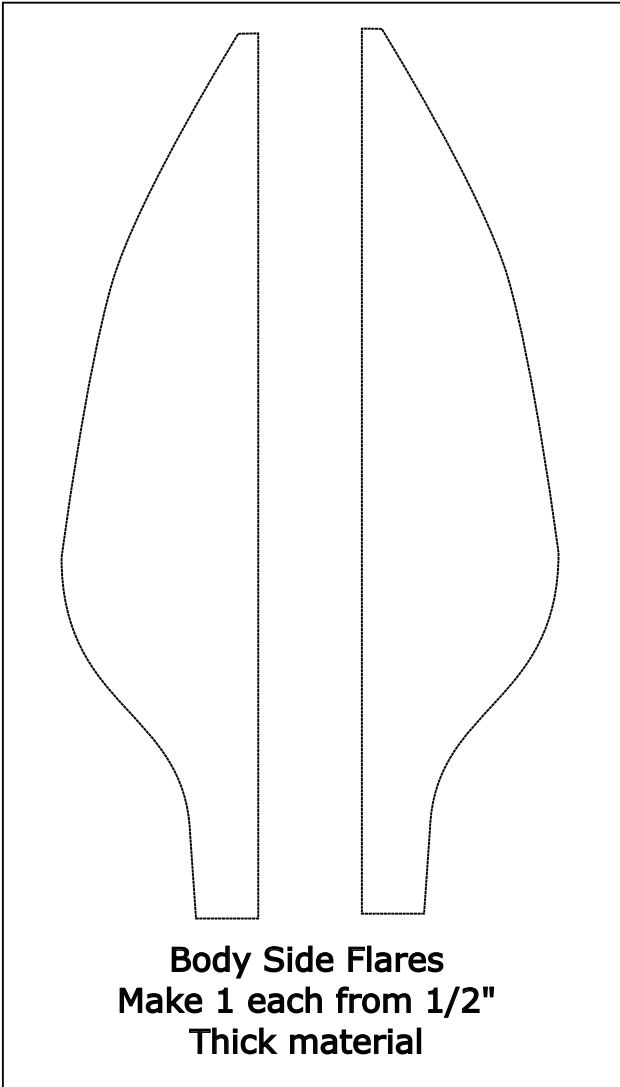
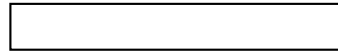
Acutabovewoodworkings
F1 Racecar Toy
acutabovewoodworkings.com



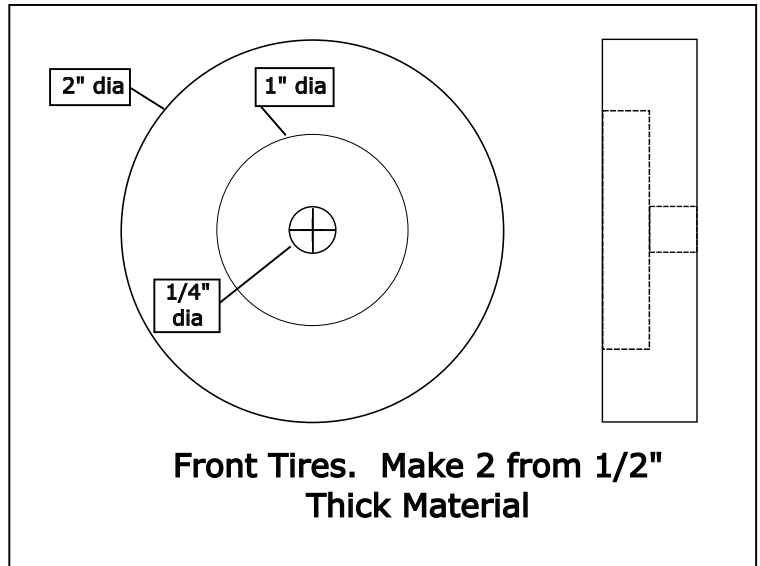
Racecar body. (compound cut)
 Make 1

Acutabove Woodworkings
F1 Racecar Toy
acutabovewoodworkings.com

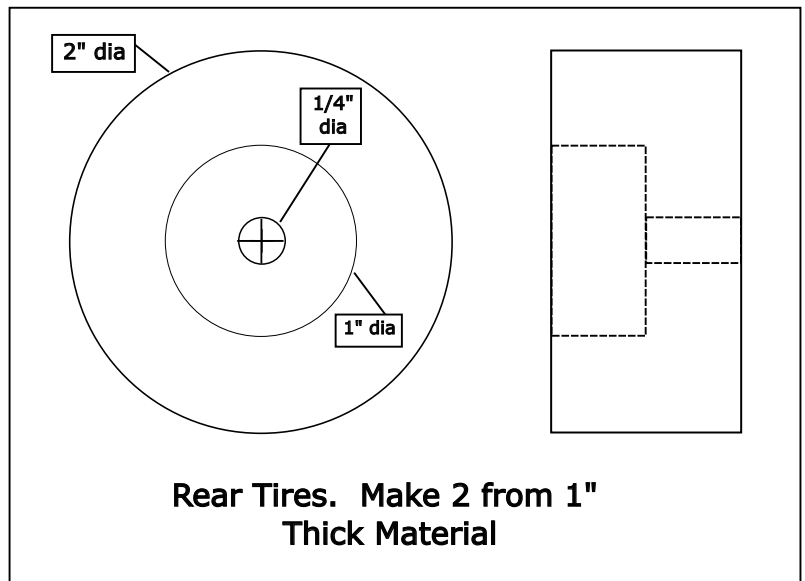
tail fin Dowels.
Cut 2 1/4" diameter, 1-3/4" long



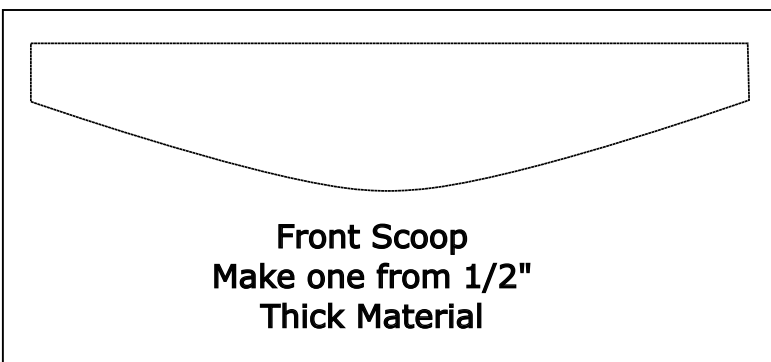
Body Side Flares
Make 1 each from 1/2"
Thick material



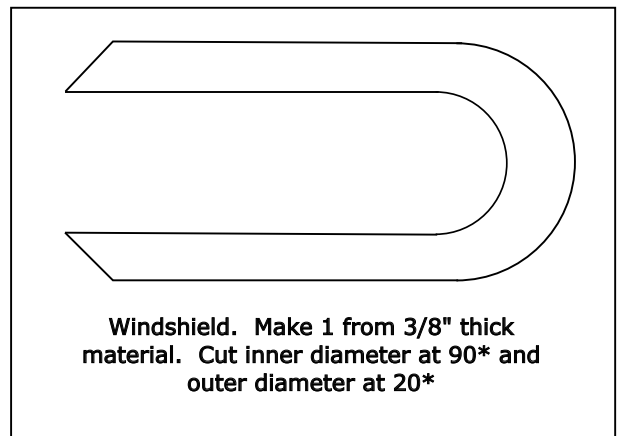
Front Tires. Make 2 from 1/2"
Thick Material



Rear Tires. Make 2 from 1"
Thick Material



Front Scoop
Make one from 1/2"
Thick Material



Windshield. Make 1 from 3/8" thick
material. Cut inner diameter at 90* and
outer diameter at 20*