



Design

Specialty Model Train Tools

Paul D. Evagash

Machinist & Tool Maker

TCA # 00-51938

www.pedesignmanuf.com

EBay: PE_Design

Facebook: PE Design

Custom made small parts and tools



"If we don't make it yet, Lets us know & we will"

Quartering Wheel Cups

- This tool was designed to Align the wheels on steam engines so that the wheels have an 87 degrees offset.

- Can be used in a standard Arbor Press.

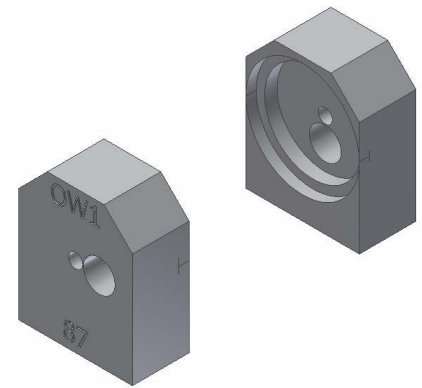
- The tool is machined out of solid aluminum

- Some engines require only 2 cups, a 0 & 87 cup.

Others require 4 (2 for the outer wheels, 2 for the center wheels. Wheels will be marked with

Outer - 0 & 87

Center - C0 & C87



Direction

1. Place the slide bar screws in the out side wheels, They will fit inside the hole use for alignment. On the center wheel check that the shaft that goes thru the slide bar is straight.
2. The cups that are marked with a "C" are for the center wheels. Place each set of wheels in the cups with the "0" and "C0" on the same side and the "87" and "C87" on the other.
3. One axle at time gently press the wheels on to the axle with the bottom of cups on a flat surface.
4. Once wheels are start you can pick-up engine and finishing pressing wheels on in a standard Arbor Press.
5. Place back on flat surface a verify alignment.
6. Repeat until all wheels are on. Then install Side bars and other hardware.

