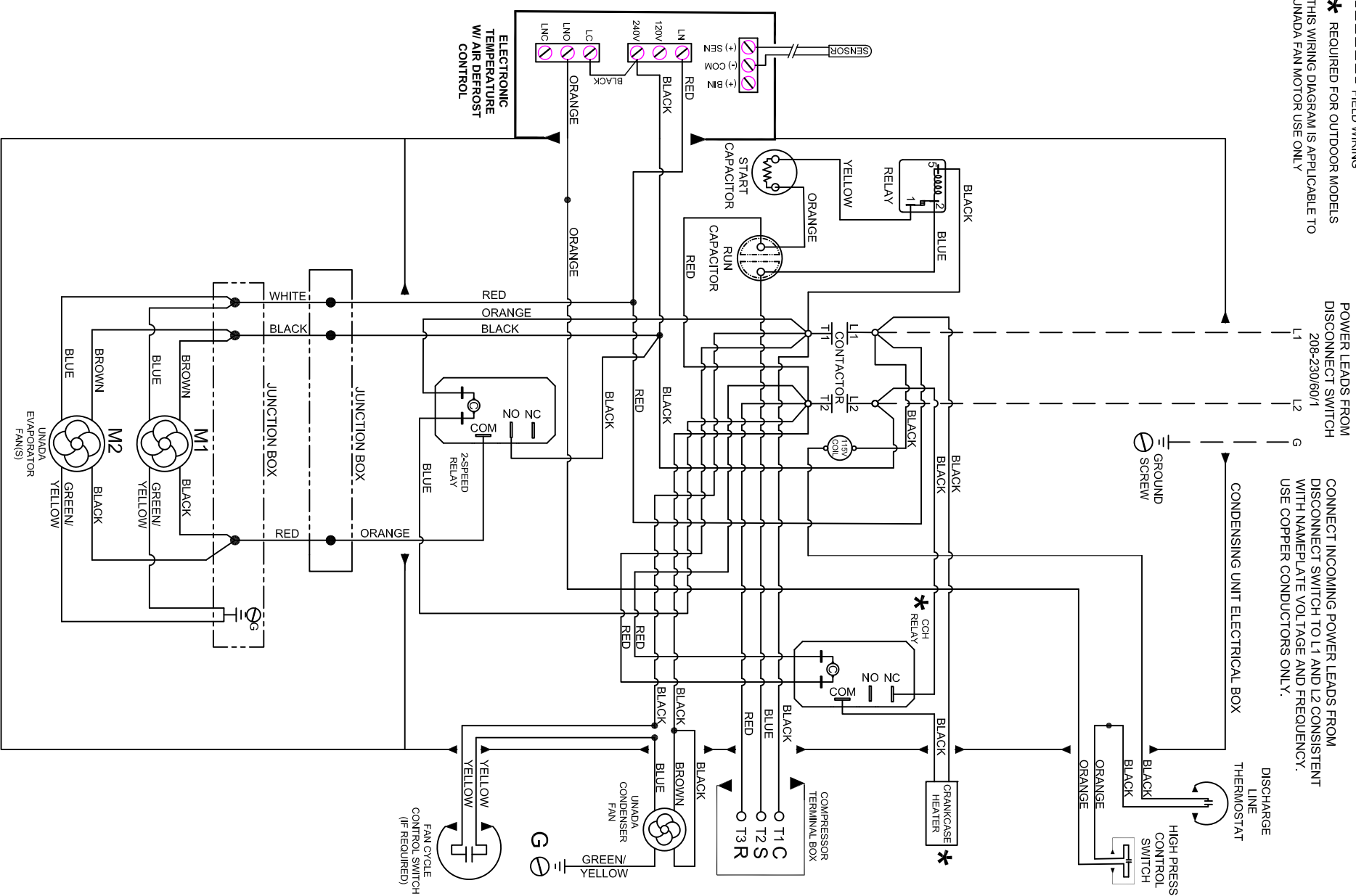


FACTORY WIRING

FIELD WIRING

REQUIRED FOR OUTDOOR MODELS
THIS WIRING DIAGRAM IS APPLICABLE TO
UNADA FAN MOTOR USE ONLY



R-448A POLAR PAK COOLER WIRING DIAGRAM 11/5/1/60

NOTE:
18" CLEARANCE REQUIRED
ON ALL SIDES FOR PROPER
OPERATION OF POLAR PAK
REFRIGERATION SYSTEMS.

ITEMS PROVIDED INCLUDE:

1. Liquid Line Filter/Drier
2. Electronic Temp Control (Installed)
3. Expansion Valve (Installed)
4. Scroll Compressor-Copeland
5. High Pressure Switch
6. Discharge Line Thermostat
7. EC Fan Motors-115/1/60
8. Crankcase Heater (Off Cycle Only)
9. Fan Cycle Control
10. Oversized Receiver Tank



THIS DRAWING/
FILE IS THE
FINAL AS-
BUILT AND IS
NOT TO BE
USED FOR
CONSTRUCTION
OR REVISIONS
UNLESS
APPROVED BY
THE ORIGINAL
DESIGNER AND
DATE

SIGNED APPROVED PRINT
MUST BE RECD. B./4. FAB.
 APPROVED AS DRAWN
 APPROVED AS NOTED
 REVISE AND RESUBMIT

SIGNED _____ DATE _____

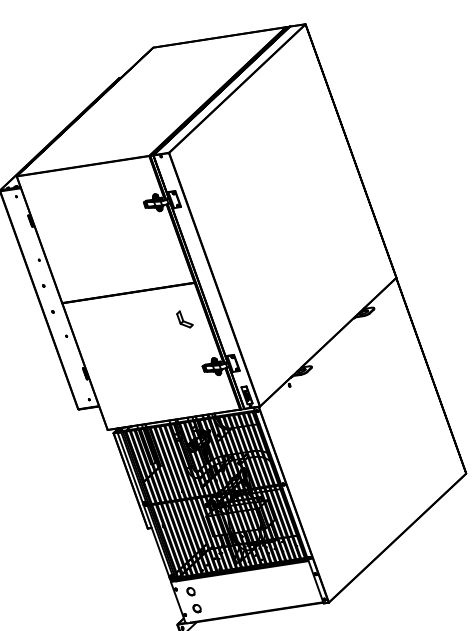
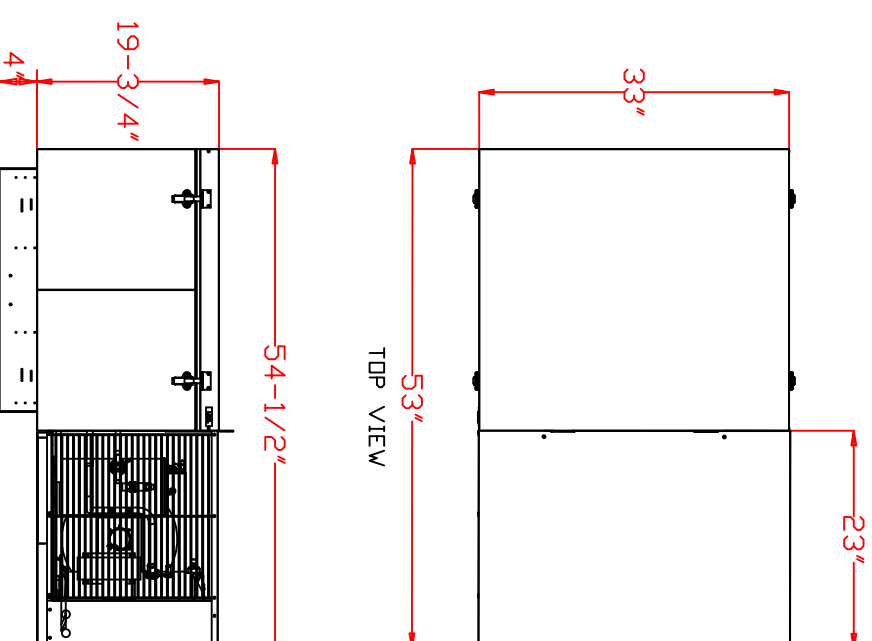
RDI Systems

2915 Tennessee Avenue North, Parsons, TN 38363
(731) 847-6361 *(800) 826-7036*
A Welbilt Brand

MODEL: DC098T30A HP: 1
REFRIGERANT: R448A REFRIGERANT CHARGE: 76 OZ.
POWER SUPPLY: 208-230/1/60 PH: 1 HZ: 60
TOTAL LOAD AMPS: 8.1 MINIMUM CIRCUIT AMPACITY: 9.7A
MAX. EXTERNAL FUSE SIZE: 15A
COMPRESSOR RLA: 6.3 COMPRESSOR LRA: 48.0
CONDENSER FAN AMPS: 0.6 CONDENSER FAN HP: 1/20
EVAP FAN AMPS: 0.6 EVAP FAN HP: 1/20
LOW SIDE DESIGN PRESS: 230 PSIG
HIGH SIDE DESIGN PRESS: 450 PSIG
WEIGHT: 285 LBS.
TOTAL HEAT REJECTED: 11,320 BTUH AWEF: 7.6

BTUH CAPACITY @ 25°F SST
OUTDOOR AMBIENT

90°F	95°F	100°F	105°F	110°F
7,940	7,620	7,300	6,980	6,660



DATE	No.	DESCRIPTION OF CHANGE	AUTH	BY

DC098T30A 208-230/1/60

SCALE NONE
DATE 03.08.2023
DESIGNER
DRAWN BY: DJW
REVIEWED
ISSUE QUOTE NO.

RDI Systems

2915 Tennessee Avenue North, Parsons, TN 38363
(731) 847-6361 *(800) 826-7036*
A Welbilt Brand

DRAWING NUMBER
DC098T30A