

RDI Systems

2915 Tennessee Avenue North, Parsons, TN 38363
(731) 847-6361*(800) 826-7036*

REFRIGERATING UNIT - FREEZER

MODEL	DF148T3	1.5	HP
VOLTS	208-230	PH 1	CYCLES 60
REFRIGERANT	R448A	34	OZ.
TOTAL LOAD	15.4	AMPS	TOTAL HEAT REJECTED 12,185 BTUH
MIN.CIRCUIT AMPACITY	18.8	AMPS EA.	EVAP. FAN 0.6 AMPS EA.
MAX.EXTERNAL FUSE SIZE	30	HP	EVAP. FAN 38W HP
COMP. RLA	13.6	AMPS	DEFROST 4.3 AMPS
COMP. LRA	68.0	AMPS	COND. FAN 0.6 AMPS
LOW SIDE DESIGN PRESS.	230	PSIG	COND. FAN 38W HP
HIGH SIDE DESIGN PRESS.	475	PSIG	WEIGHT 300 LBS.
AWEF	2.07		

NOTE:
SYSTEM IS SUPPLIED WITH A HOT GAS CONDENSATE PAN. A CONDENSATE DRAIN LINE IS NOT REQUIRED.

NOTE:
18" CLEARANCE REQUIRED ON ALL SIDES FOR PROPER OPERATION OF POLAR PAK SYSTEMS.

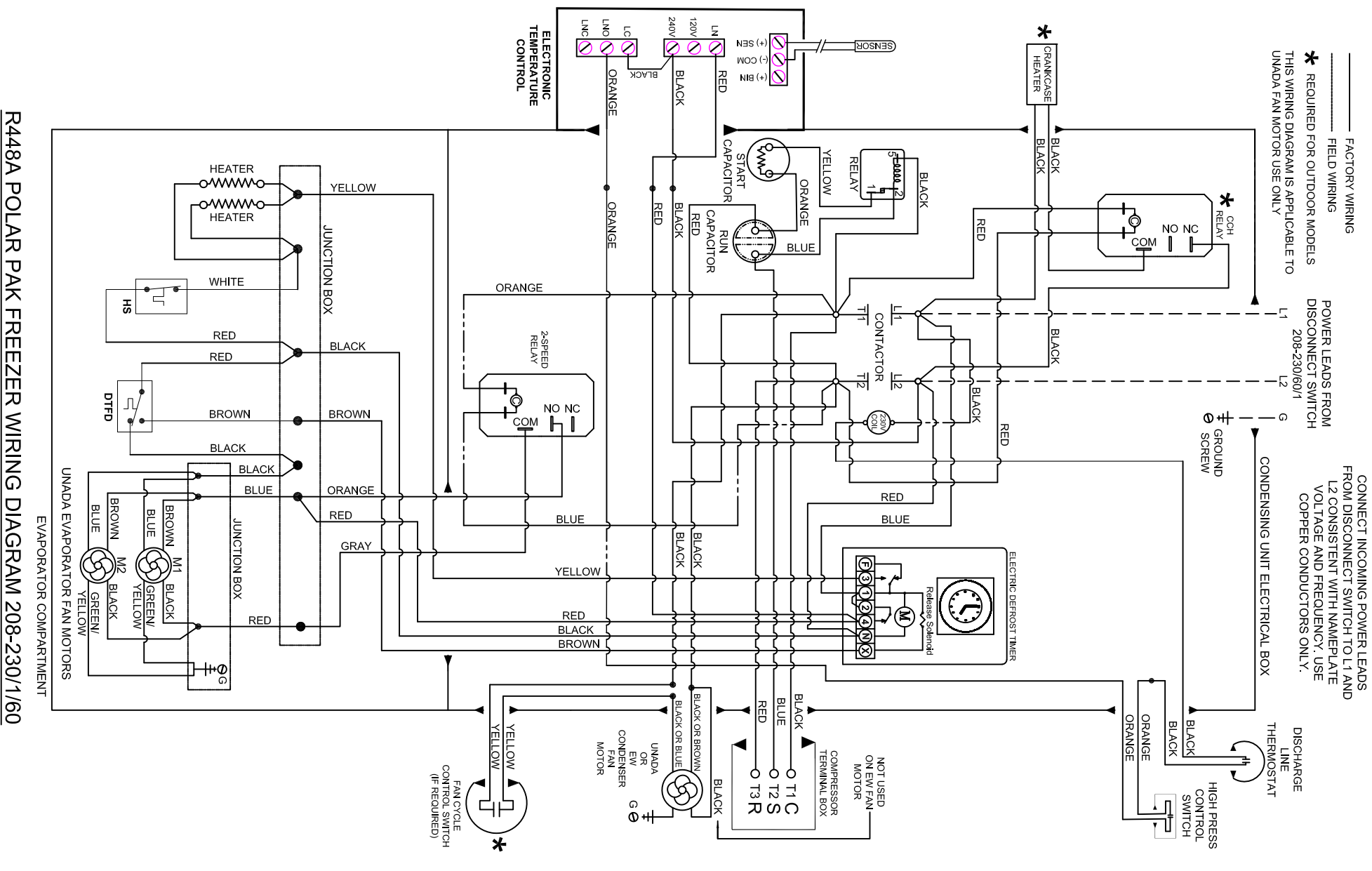
ITEMS PROVIDED INCLUDE:

1. Liquid Line Filter/Driers
2. Electronic Temp Control (Installed)
3. Expansion Valve (Installed)
4. Scroll Compressor-Copeland
5. High Pressure Switch
6. EC Fan Motors-2 Speed

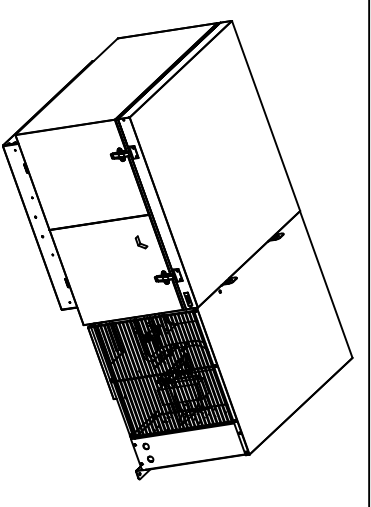
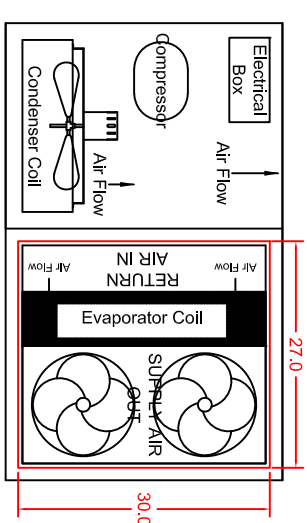
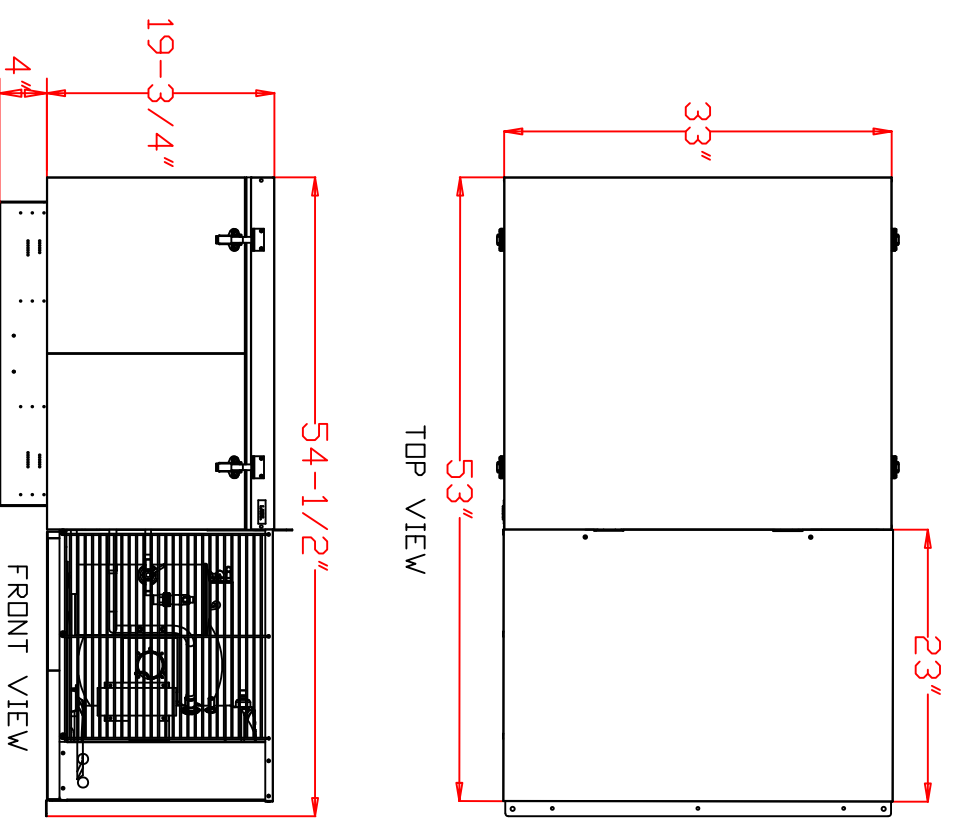


THIS DRAWING/FILE IS THE PROPERTY OF RDI SYSTEMS AND IS NOT TO BE REPRODUCED, COPIED, OR TRANSMITTED IN ANY FORM OR BY ANY MEANS, ELECTRONIC OR MECHANICAL, INCLUDING PHOTOCOPYING, RECORDING, OR BY ANY INFORMATION STORAGE AND RETRIEVAL SYSTEM. ANY UNAUTHORIZED USE OR REVISION OF THIS DRAWING/FILE IS PROHIBITED. ANY CHANGES TO THIS DRAWING/FILE MUST BE APPROVED BY RDI SYSTEMS.

SIGNED: _____ DATE: _____



R448A POLAR PAK FREEZER WIRING DIAGRAM 208-230/1/60



DATE	No.	DESCRIPTION OF CHANGE	AUTH	BY
06.09.20	3	ADDED AWEF		DW
DF148T3 (208-230/1/60)				
SCALE	NONE	DEFAULTS	DRAWN BY:	DW
DATE:	01.14.2020	REVISIONS	ROD/PK QUOTE NO:	
RDI Systems				
DRAWING NUMBER: DF148T3				