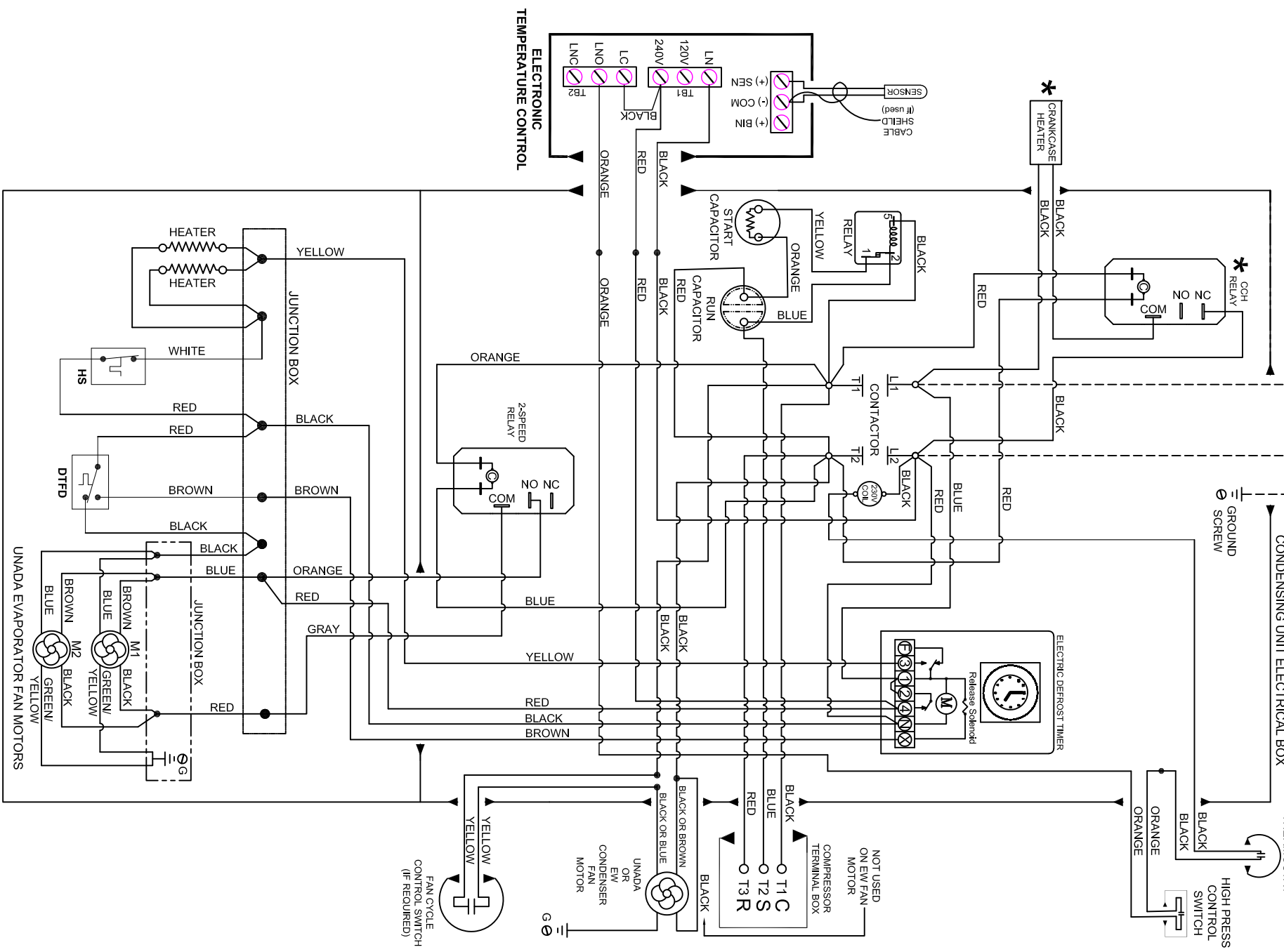


FACTORY WIRING
 FIELD WIRING
 * REQUIRED FOR OUTDOOR MODELS
 THIS WIRING DIAGRAM IS APPLICABLE TO UNADA/EV FAN MOTOR USE ONLY



R448A POLAR PAK FREEZER WIRING DIAGRAM 208-230/1/60

NOTE:
 18" CLEARANCE REQUIRED ON ALL SIDES FOR PROPER OPERATION OF POLAR PAK REFRIGERATION SYSTEMS.

- ITEMS PROVIDED INCLUDE:
1. Liquid Line Filter/Drier
 2. Electronic Temp Control (Installed)
 3. Expansion Valve (Installed)
 4. Scroll Compressor-Copeland
 5. High Pressure Switch
 6. Discharge Line Thermostat
 7. EC Fan Motors-230/1/60
 8. Crankcase Heater (Off Cycle Only)
 9. Fan Cycle Control
 10. Defrost Heaters-230/1/60
 11. Electric Defrost Timer
 12. Oversized Receiver Tank



THIS DRAWING/FILE IS THE PROPERTY OF RDI SYSTEMS AND IS NOT TO BE REPRODUCED OR COPIED IN ANY MANNER WITHOUT THE WRITTEN PERMISSION OF RDI SYSTEMS. ANY UNAUTHORIZED REPRODUCTION OR USE OF THIS DRAWING/FILE IS PROHIBITED AND WILL BE PROSECUTED TO THE FULL EXTENT OF THE LAW.

SIGNED APPROVED PRINT MUST BE RECD. B/A FAB.
 APPROVED AS DRAWN
 APPROVED AS NOTED
 REVISE AND RESUBMIT

SIGNED _____ DATE _____

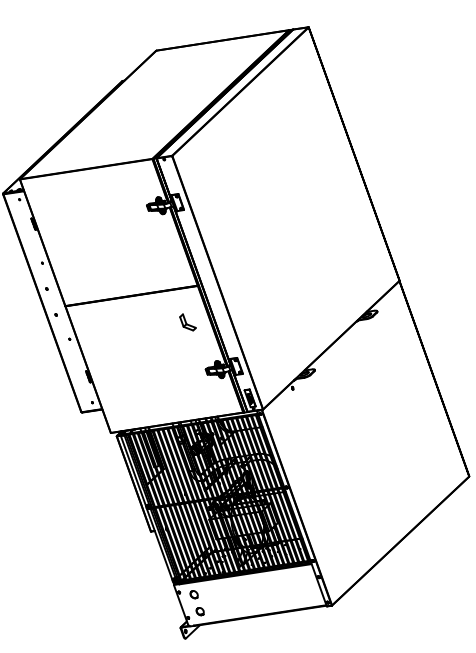
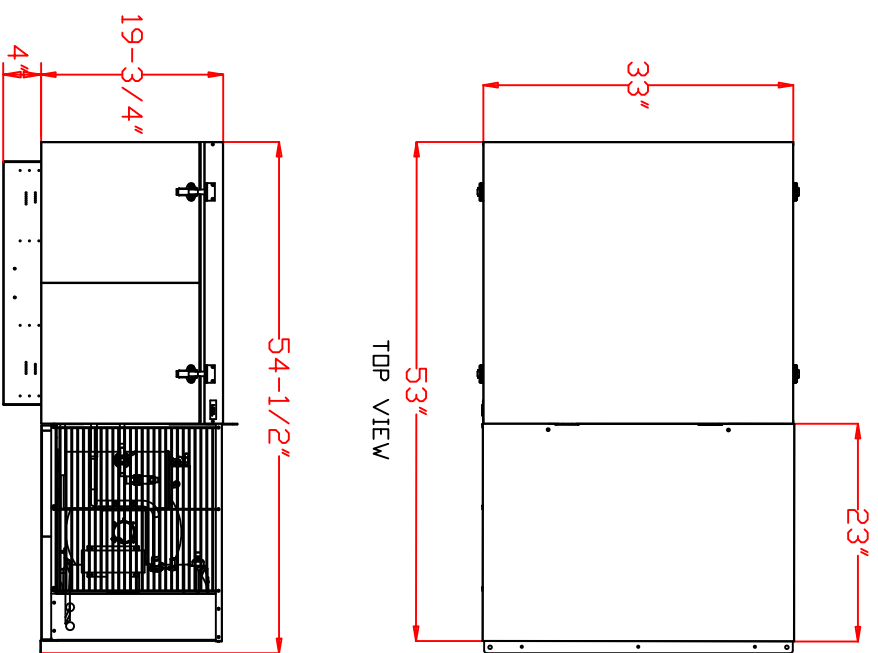
RDI Systems

2915 Tennessee Avenue North, Parsons, TN 38363
 (731) 847-6361*(800) 826-7036*

MODEL: PF148T30A HP: 1-1/2
 REFRIGERANT: R448A REFRIGERANT CHARGE: 80 OZ.
 POWER SUPPLY: 208-230/1/60 PH: 1 HZ: 60
 TOTAL LOAD AMPS: 15.4 MINIMUM CIRCUIT AMPACITY: 18.8A
 MAX. EXTERNAL FUSE SIZE: 30A
 COMPRESSOR RLA: 13.6 COMPRESSOR LRA: 68.0
 CONDENSER FAN AMPS: 0.6 CONDENSER FAN HP: 1/20
 EVAP FAN AMPS: 0.6 EVAP FAN HP: 1/20
 TOTAL EVAP FAN AMPS: 1.2 DEF HEATER WATTS: 989
 DEFROST HEATER AMPS: 4.3
 LOW SIDE DESIGN PRESS: 230 PSIG
 HIGH SIDE DESIGN PRESS: 475 PSIG
 WEIGHT: 300 LBS.
 TOTAL HEAT REJECTED: 12,185 BTUH AWEF: 3.13

BTUH CAPACITY @ -20°F SST
 OUTDOOR AMBIENT

90°F	95°F	100°F	105°F	110°F
5,580	5,370	5,160	4,950	4,730



DATE	No.	DESCRIPTION OF CHANGE	AUTH	BY

DF148T30A (208-230/1/60)

SCALE NONE
 DATE 01.09.2023
 DRAWN BY: DJW
 CHECKED BY: DJW
 RDI SYSTEMS
 2915 Tennessee Avenue North, Parsons, TN 38363
 (731) 847-6361*(800) 826-7036*

DRAWING NUMBER: DF148T30A
 REVISION QUOTE NO.