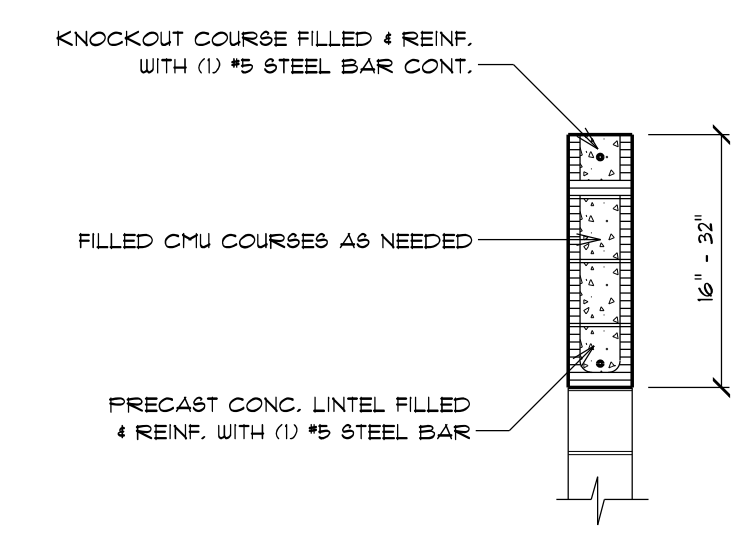
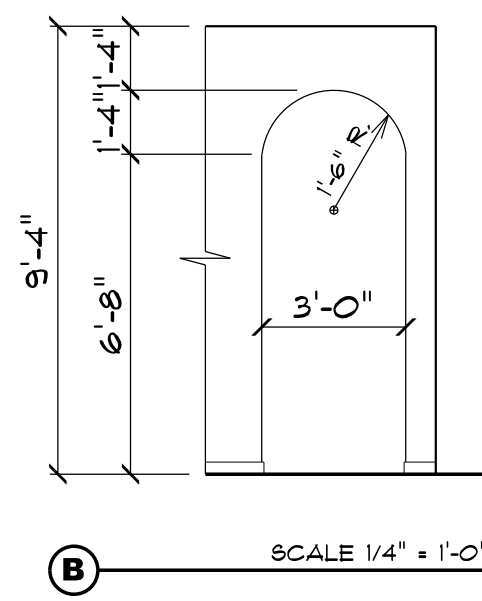
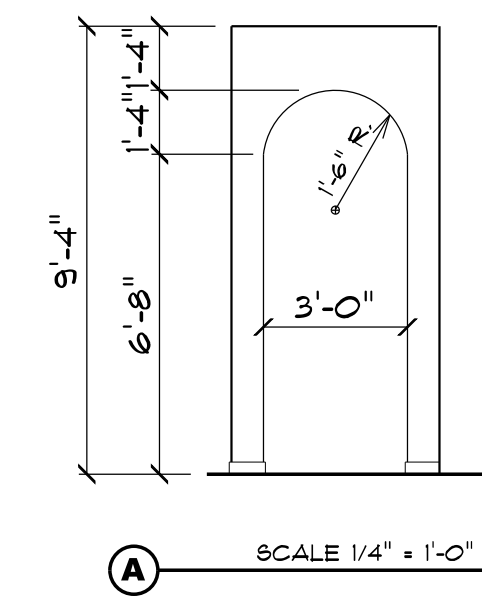
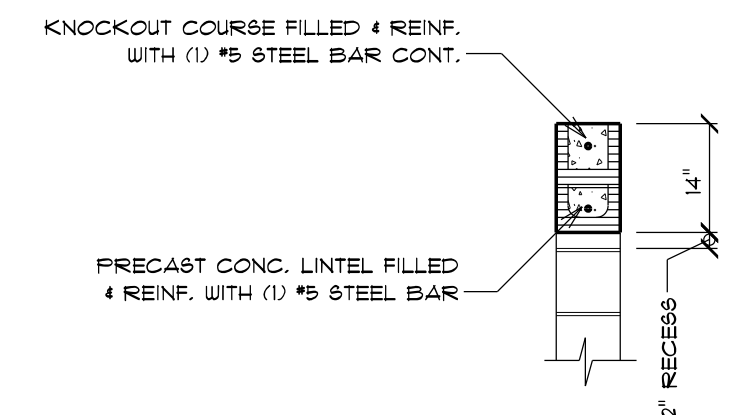


FLOOR PLAN

SCALE 1/4" = 1'-0"



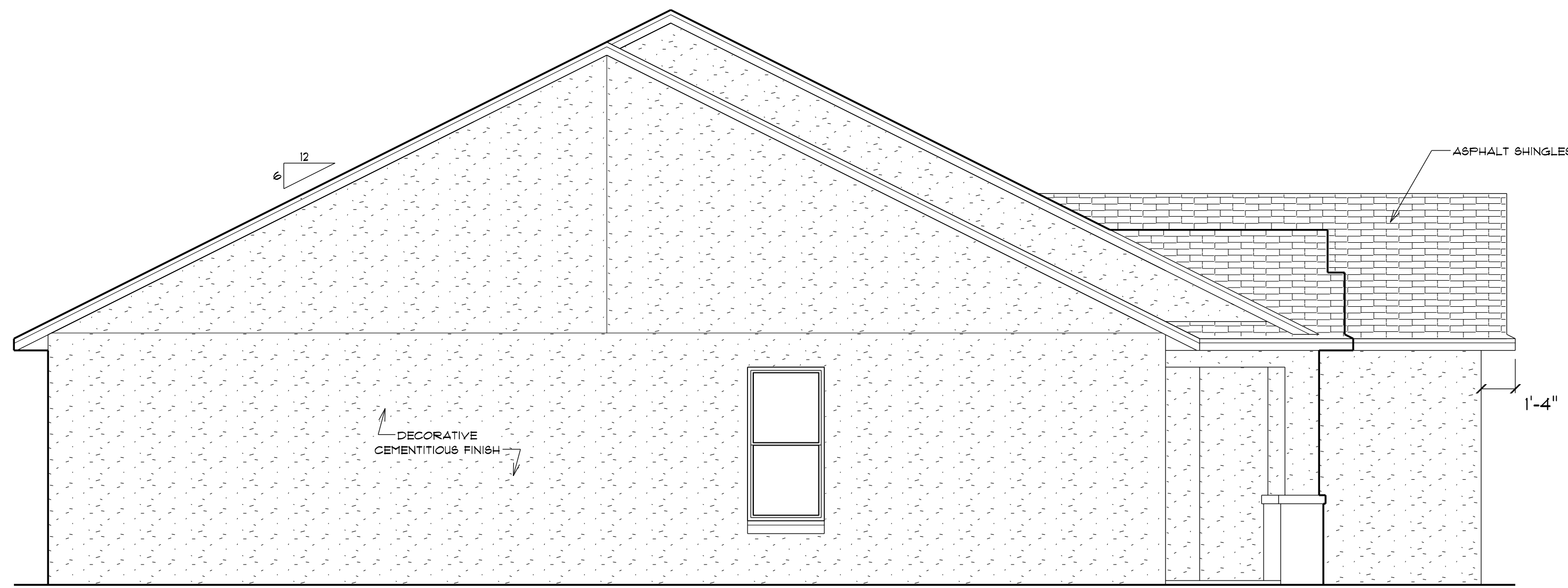
LINTEL TYPE "A" SECTION



LINTEL TYPE "B" SECTION

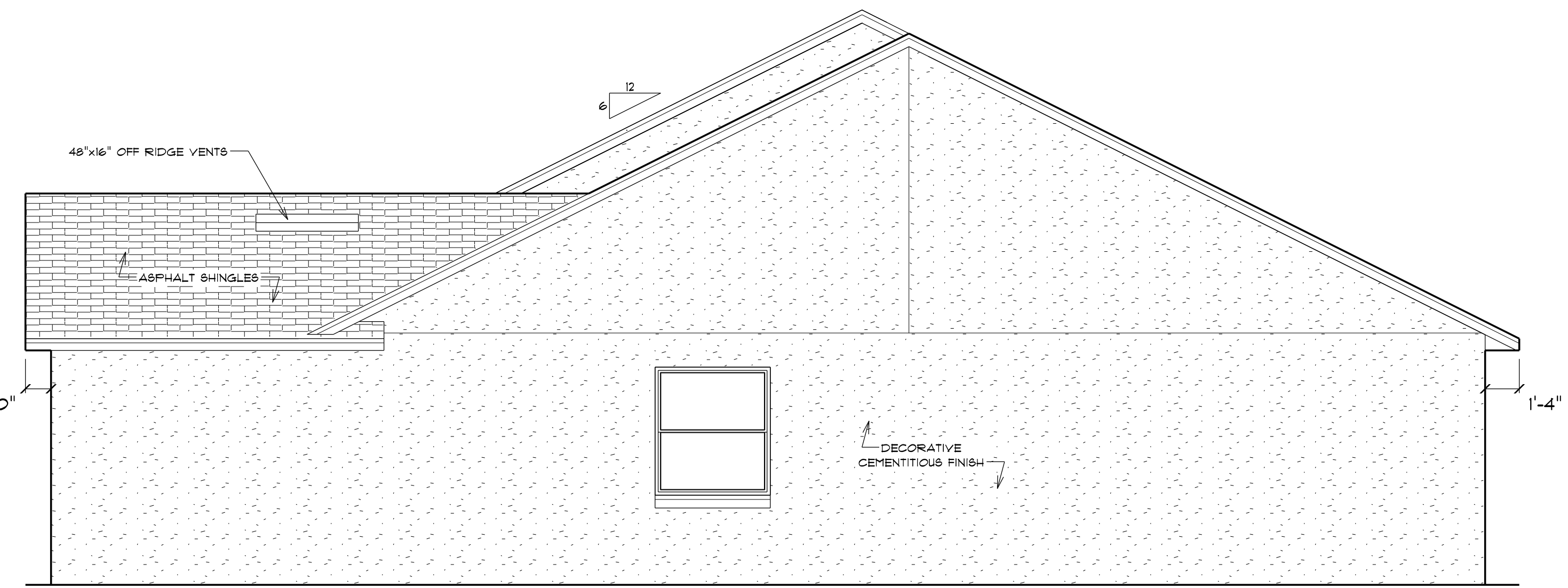
| LINTEL SCHEDULE (QUALITY PRECAST) | | | |
|---|-----------------|------------|-----------|
| PRECAST LINTEL(8"x14"-32" COMPOSITE) | | | |
| PRECAST LINTEL COMBINED WITH CMU ABOVE AS NEEDED. CMU AND SUPPORTING LINTEL TO BE FILLED WITH 3000 PSI CONCRETE AND REINFORCED WITH #5 STEEL BARS AS NOTED. | | | |
| TOTAL ALLOWABLE SUPERIMPOSED LOADS/FOOT FROM LINTEL FOOT | | | |
| LINTEL DESIGNATION | LINTEL SIZE | CLEAR SPAN | SAFE LOAD |
| L A-1 | 21'-4" x 16" H. | 19'-8" | 878* |
| L A-2 | 17'-4" x 32" H. | 16'-0" | 2280* |
| L A-3 | 10'-6" x 16" H. | 9'-0" | 1407* |
| L A-4 | 6'-6" x 16" H. | 5'-2" | 327* |
| L A-5 | 5'-0" x 16" H. | 4'-6" | 3683* |
| L A-6 | 4'-6" x 16" H. | 3'-2" | 5143* |
| L A-7 | 4'-0" x 16" H. | 2'-8" | 8020* |
| L A-8 | 4'-6" x 14" H. | 2'-2" | 9164* |
| L B-1 | 5'-10" x 14" H. | 4'-6" | 2754* |

| AREA TABULATIONS | |
|--------------------|----------------------|
| LIVING AREA | 2035 S.Q. FT. |
| GARAGE AREA | 436 S.Q. FT. |
| COVERED PORCH AREA | 179 S.Q. FT. |
| COVERED ENTRY AREA | 71 S.Q. FT. |
| TOTAL AREA | 2721 S.Q. FT. |



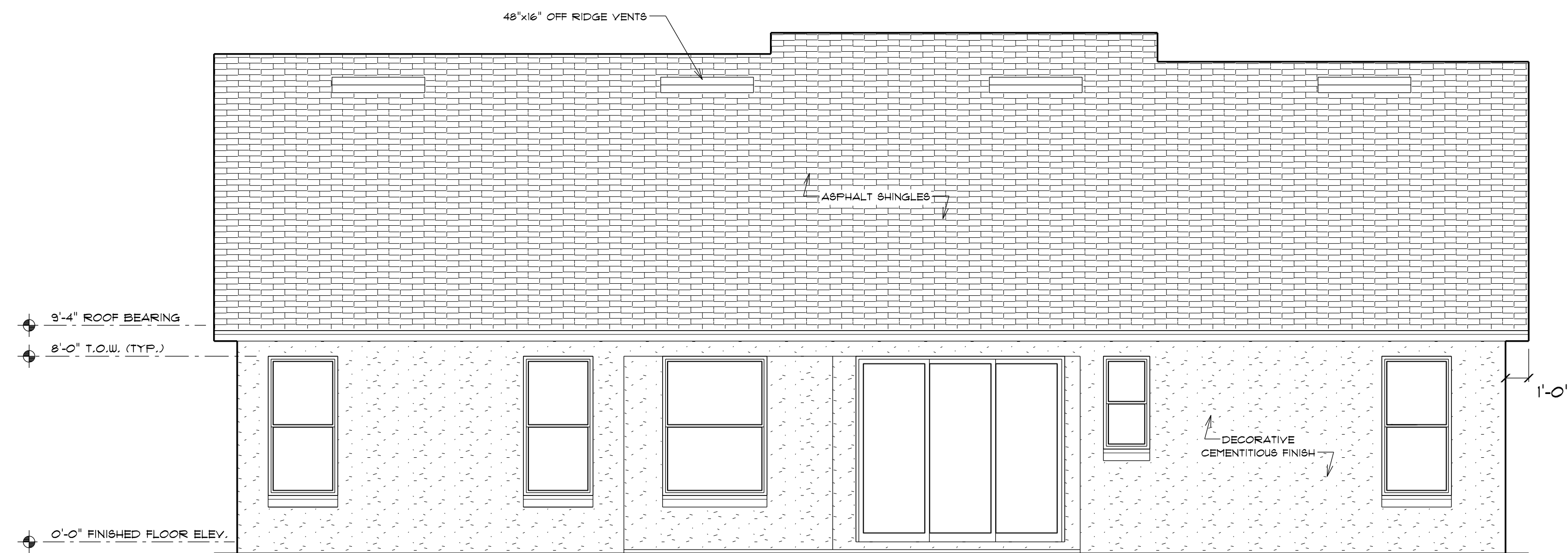
LEFT ELEVATION

SCALE 1/4" = 1'-0"



RIGHT ELEVATION

SCALE 1/4" = 1'-0"



REAR ELEVATION

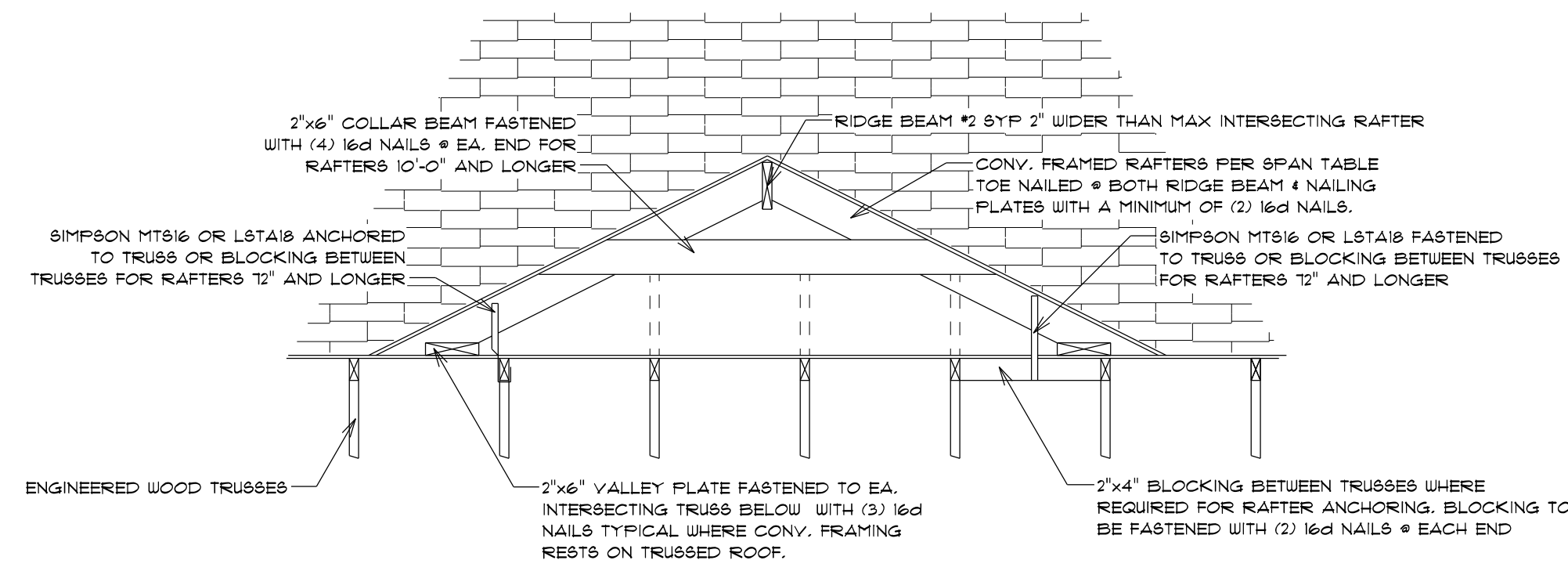
SCALE 1/4" = 1'-0"



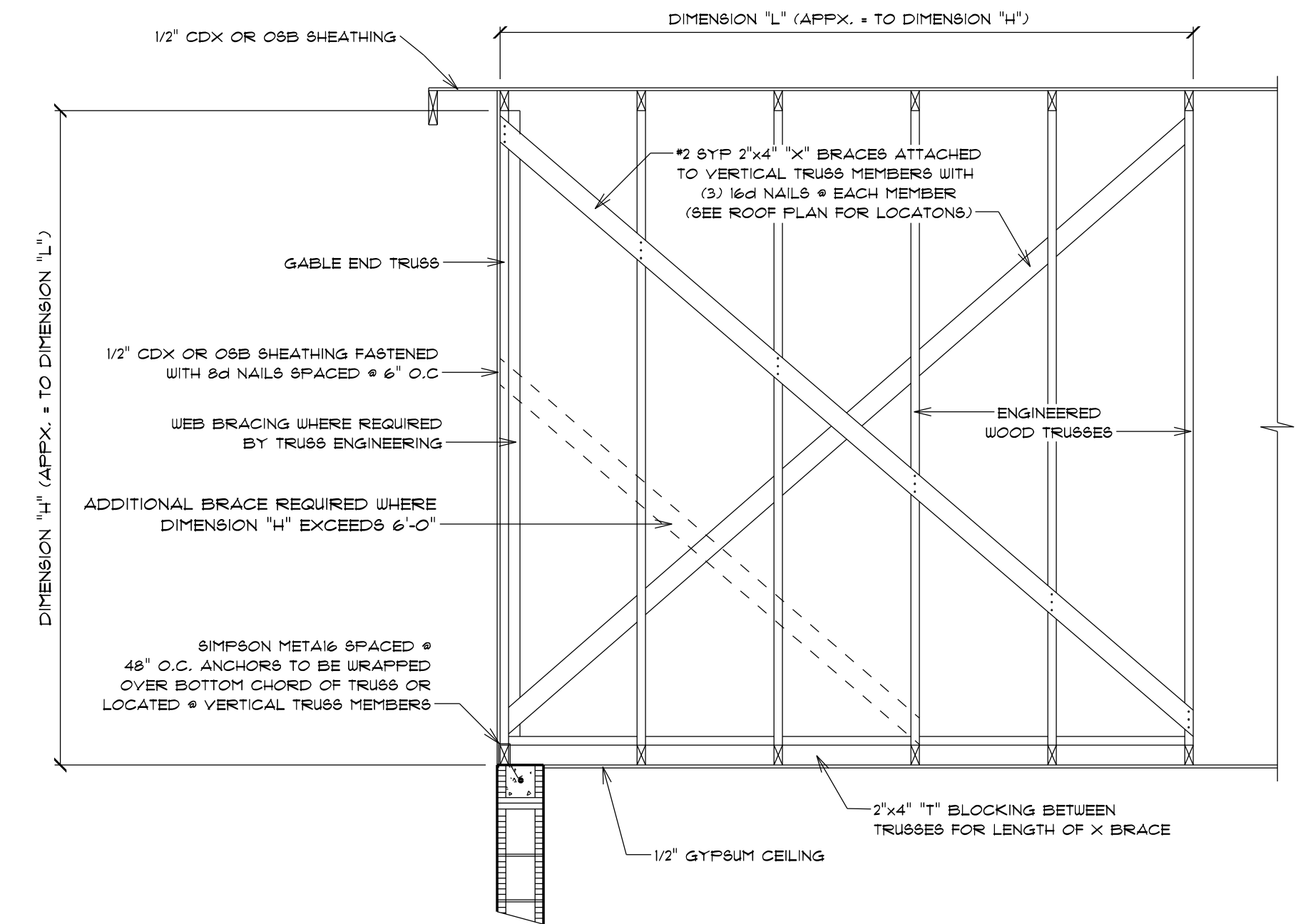
FRONT ELEVATION

SCALE 1/4" = 1'-0"

| RAFTER SPANS (#2 SOUTHERN PINE) | | |
|--|--------------|----------|
| ROOF LIVE LOAD = 20 PSF DEAD LOAD = 10 PSF | | |
| LUMBER SIZE | O.C. SPACING | MAX SPAN |
| 2"x4" | 16" | 9'-10" |
| 2"x4" | 24" | 8'-11" |
| 2"x6" | 16" | 15'-11" |
| 2"x6" | 24" | 12'-3" |
| 2"x8" | 16" | 19'-5" |
| 2"x8" | 24" | 15'-10" |
| 2"x10" | 16" | 23'-2" |
| 2"x10" | 24" | 18'-11" |
| 2"x12" | 16" | 26'-0" |
| 2"x12" | 24" | 22'-2" |



TYPICAL VALLEY FRAMING DETAIL SCALE: N/A



TYP. GABLE END/BRACING DETAIL SCALE: 1/2" = 1'-0"

| CONNECTOR SCHEDULE (SIMPSON) | | | | |
|------------------------------|-----------|--------|---------|--|
| QTY. | CONNECTOR | UPLIFT | LATERAL | FASTENERS |
| 1 | META16 | 1450* | 340* | (7) 10d x 1 1/2" |
| 1 | MTS12/16 | 860* | 75* | (14) 10d x 1-1/2" |
| 1 | LSTA9 | 740* | N/A | (8) 10d * |
| 1 | LSTA18 | 1235* | N/A | (14) 10d * |
| 1 | MTSM16 | 860* | 235* | (7) 10d x 1-1/2" @ TRUSS (4) 1/4"x2-1/4" TITEN @ WALL |

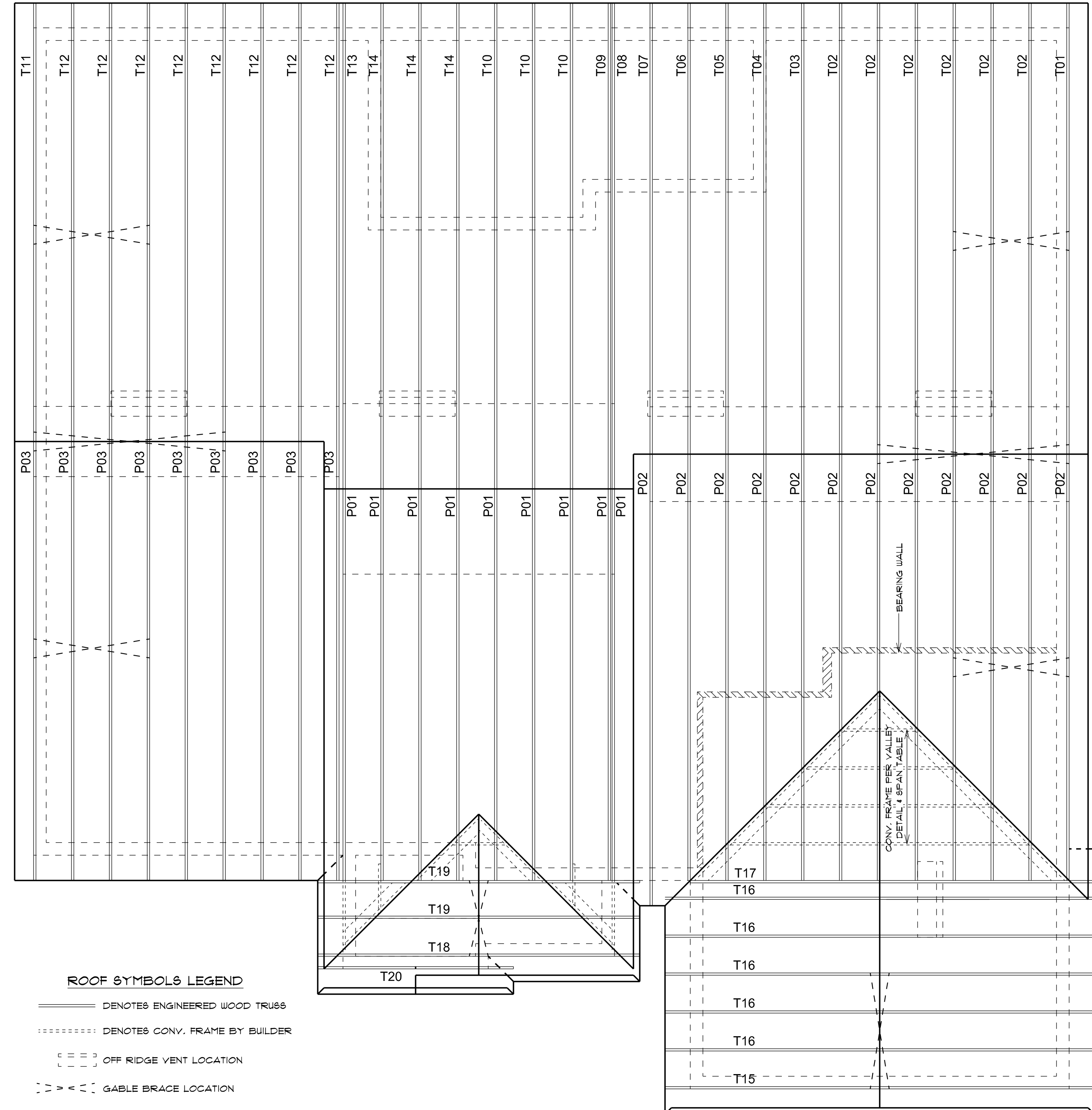
* USE HALF OF THE FASTENERS IN EACH MEMBER BEING CONNECTED TO ACHIEVE THE LISTED LOADS
NOTE: MTS16 MAY BE USED AS A REPAIR FOR MISPLACED TRUSS ANCHORS

TRUSS ANCHORING NOTES

- ALL ENGINEERED WOOD TRUSSES TO BE SPACED @ 24" O.C. AND ANCHORED TO MASONRY WALLS AND BEAMS @ BEARING POINTS WITH 1 SIMPSON META16 EMBEDDED IN POURED CONCRETE BOND BEAM. EXCEPTION AS FOLLOWS:
1. GABLE TRUSSES *T01, *T11, *T15 & *T20 TO BE ANCHORED BY SIMPSON META16 @ 48" O.C. (SEE GABLE END DETAIL)
- ALL ENGINEERED WOOD TRUSSES TO BE SPACED @ 24" O.C. AND ANCHORED TO FRAME WALLS AND BEAMS @ BEARING POINTS WITH (1) SIMPSON MTS12.
- PIGGYBACK TRUSSES *P01, *P02 & *P03 TO BE ANCHORED TO TRUSSES BELOW WITH SIMPSON LSTA 9 @ 48" O.C.
- ALL REQUIRED METAL TRUSS HANGERS TO BE SPECIFIED & PROVIDED BY TRUSS MANUFACTURER.
- ALL ENGINEERED METAL TRUSS ANCHORS & HANGERS TO BE INSTALLED PER MANUFACTURER'S SPECS.

ATTIC VENTING

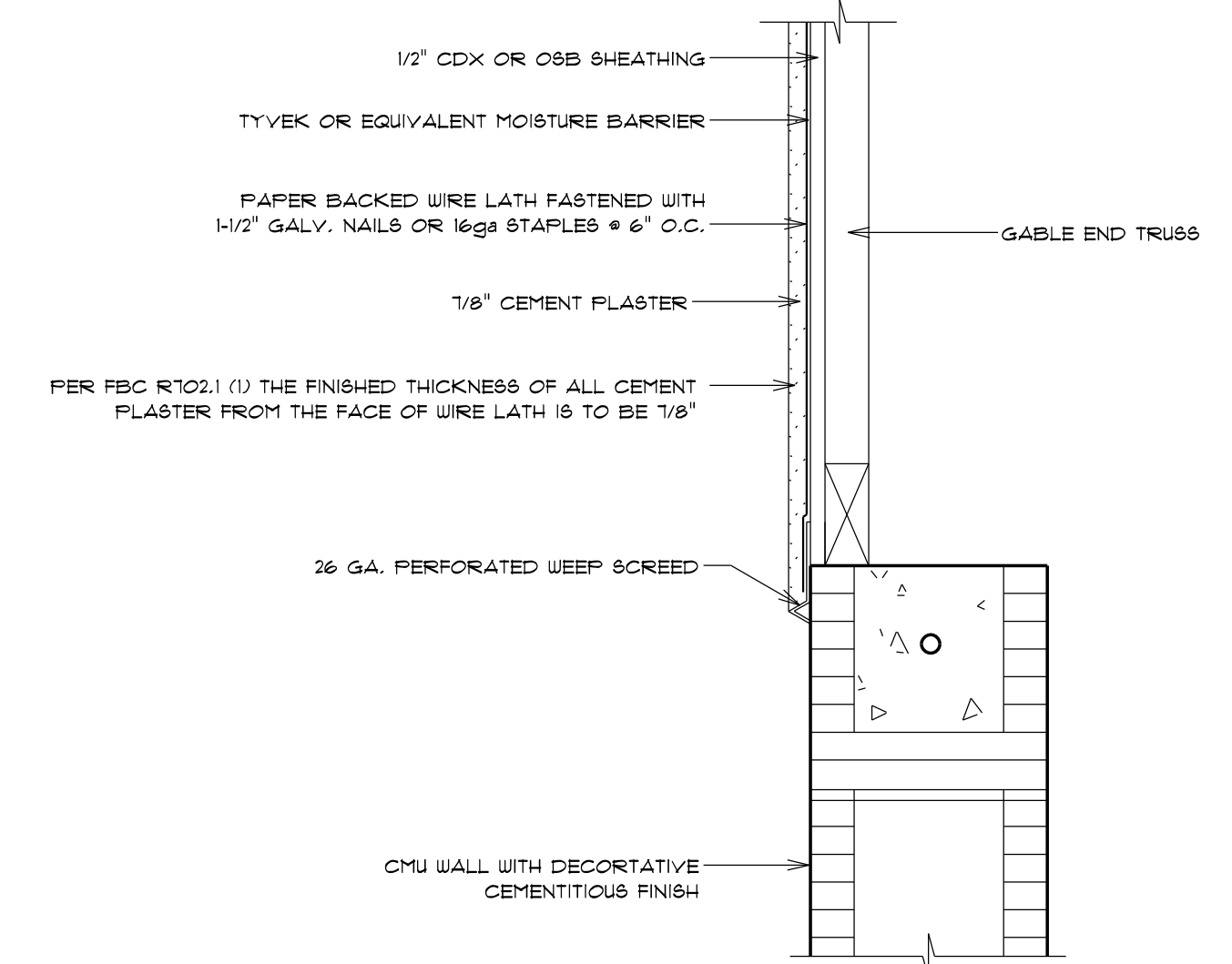
FORMULA: CEILING AREA (SQ. IN.) / 300 = REQUIRED SQ. IN. VENTING
NET FREE AREA REQUIRED = 1306 SQ. IN.
50% NEAR RIDGE (5 OFF RIDGE VENTS @ 138 SQ. IN. + 690 SQ. IN. NET FREE AREA)
50% NEAR SOFFIT (>109 LIN. FT. VENTED ALUMINUM SOFFIT @ 6 SQ. IN. PER LIN. FT. + 7654 SQ. IN.) TOTAL: 1344 SQ. IN. NET FREE AREA.



ROOF SYMBOLS LEGEND
 ——— DENOTES ENGINEERED WOOD TRUSS
 - - - - - DENOTES CONV. FRAME BY BUILDER
 [] OFF RIDGE VENT LOCATION
 [] GABLE BRACE LOCATION

ROOF PLAN/TRUSS LAYOUT SCALE: 1/4" = 1'-0"

| ROOF ASSEMBLY DETAILS | |
|--------------------------------|--|
| SHEATHING TYPE & FASTENING: | 1/2" CDX OR OSB SHEATHING FASTENED WITH 8D RINGSHANK NAILS SPACED @ 6" O.C. |
| UNDERLAYMENT TYPE & FASTENING: | 30 LB ASPHALT SATURATED OR SYNTHETIC FELT FASTENED WITH 1" CAPPED ROOFING NAILS SPACED @ 6" O.C. (# LAPS) & 2 ROWS STAGGERED @ 12" O.C. (IN FIELD) |
| SINGLE TYPE & FASTENING: | COMPOSITION SHINGLES W/ (6) 1 1/4" ELECTRO GALV. ROOFING NAILS @ EA. SHINGLE W/ FULL SHEATHING PENETRATION. |
| VENT TYPE & FASTENING: | 4'-0" x 1'-4" GALV. OFF RIDGE VENTS W/ 1 1/4" ELECTRO GALV. ROOFING NAILS @ 4" O.C. |
| FLASHING TYPE & FASTENING: | 26 GAUGE GALV. METAL FLASHING W/ 1 1/4" ELECTRO GALV. ROOFING NAILS @ 4" O.C. |



TYPICAL CEMENT PLASTER, LATH, & WEEP SCREED DETAIL SCALE: 2" = 1'-0"