

MP Compact4 / MP Compact4 Mobile Mark II

Replacement Parts Catalog ■ ■ ■

Covers the following models:

MP Compact4 Mark II

MP Compact4 Mobile Mark II



right by our customers. ■ ■ ■



datamax·o'neil

Table of Contents

Spare Part Catalog

1. Instructions

2. Printer

3. Compact4 Mark II

Top Cover

Body

Base

Cables

Repair Spare Kit

Options

Peel Off

Cleaning

4. Compact4 Mobile Mark II

Top Cover

Body

Base

Plate

Cables

Repair Spare Kit

Options

Peel Off

Cleaning

1. Instructions

Liability

Datamax-O'Neil cannot be held responsible if safety instructions and, generally speaking, basic safety rules for using and servicing these products are not followed.

Any modifications carried out may be counter to product compliance and the relevant safety standards. Therefore, Datamax-O'Neil cannot be held liable for any malfunction or damage caused by any modification unless recommended by Datamax-O'Neil, or for any incident arising from use of the product for any purposes other than those for which it is designed. It is the sole responsibility of the user to take the required precautions.

Use

Only use Datamax-O'Neil original spare parts and consumables (ribbon, cleaning products, servicing products).

Other types of consumables should not be used without Datamax-O'Neil's written approval, and any consequences shall be under the entire responsibility of the user.

Servicing

Always unplug the printer from the electrical outlet before performing any maintenance.

Use appropriate tools for any work on the electrical circuits.

We recommend that the repairs be carried out by persons who have been given the technical training proposed by Datamax-O'Neil.



Lithium Battery: There is a danger of explosion or fire if the battery is incorrectly replaced. Replace only with the same or equivalent type recommended by the manufacturer. Discard used batteries according to the manufacturer's instructions.

Information in this document is subject to change without notice and does not represent a commitment on the part of Datamax-O'Neil Corporation. No part of this manual may be reproduced or transmitted in any form or by any means, for any purpose other than the purchaser's personal use, without the expressed written permission of Datamax-O'Neil Corporation.

Part Number 92-2565-01 Rev. D

All rights reserved. © Copyright 2013 by Datamax-O'Neil Corporation

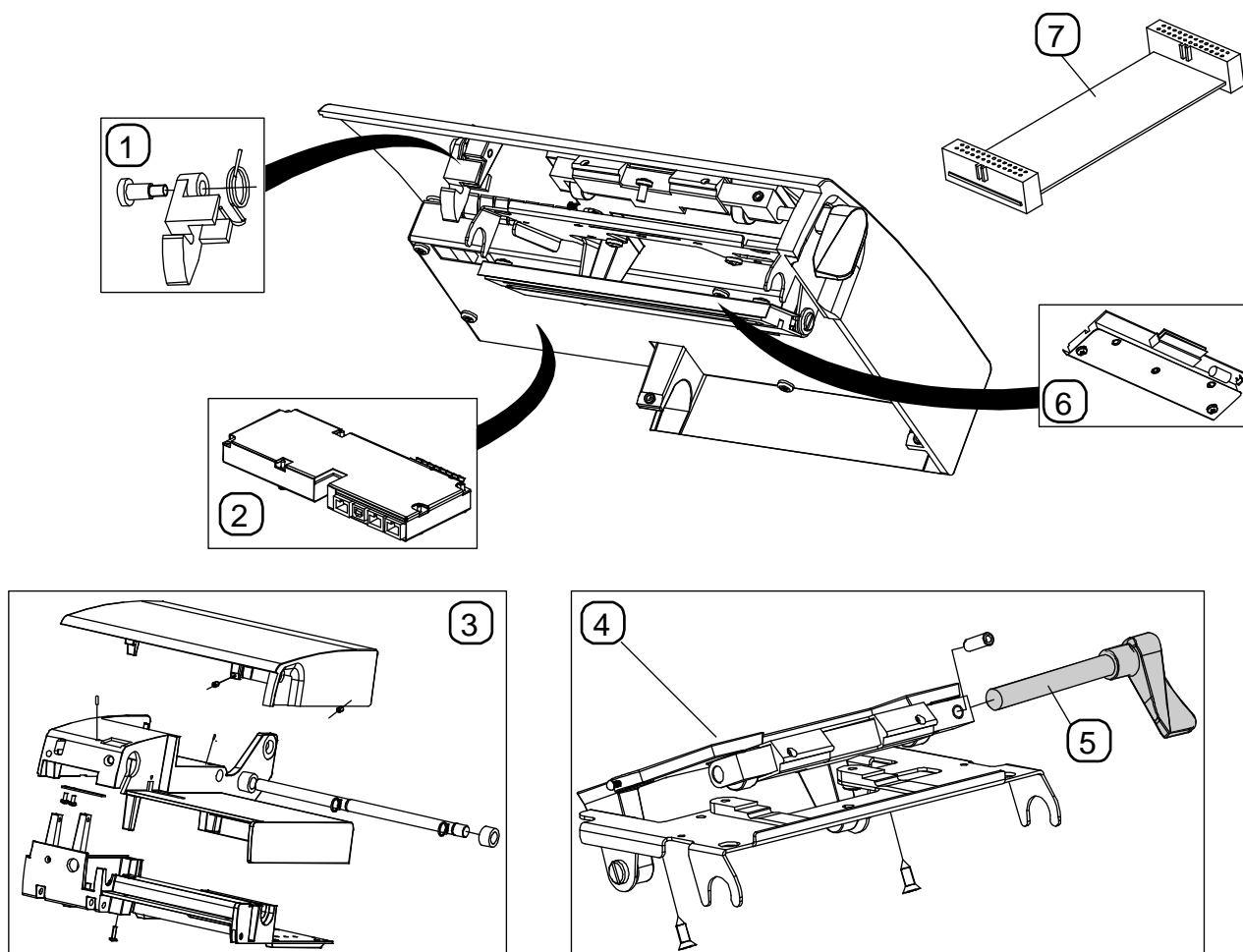
2. Thermal Printers

This manual lists all major spare parts, for each of the models listed below. The printer can also be equipped with accessories or options, the most common are also found in this manual.

Compact4 Mark II
Compact4 Mobile Mark II

3. Compact4 Mark II

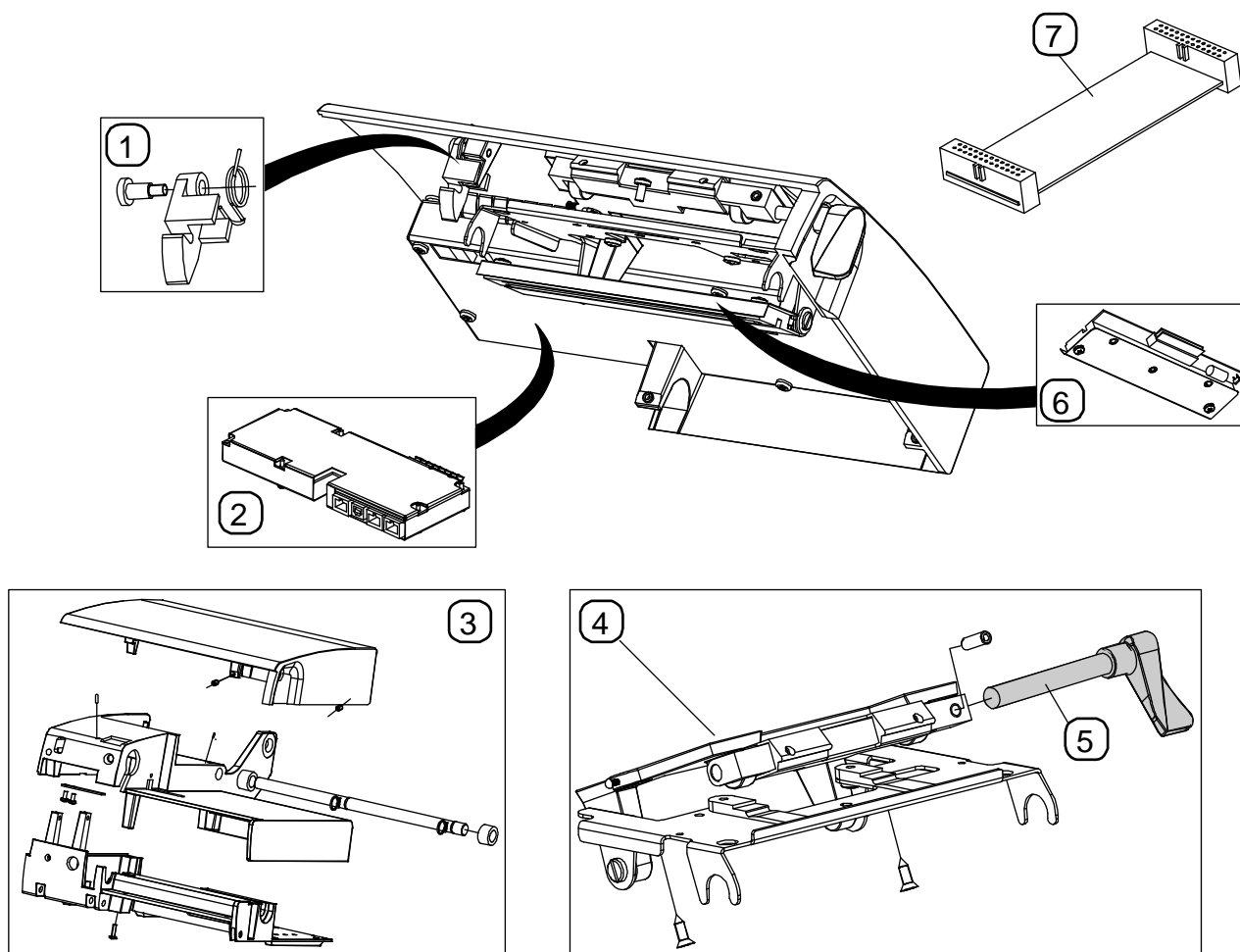
Top Cover



Item	Part number	Description	Remark
1	532520	LOCKING HOOK KIT	
2	532770	CPU UNIT COMPLETE	Labelpoint Firmware
2	532769	CPU UNIT w/LAN COMPLETE	Labelpoint Firmware
2	DPO51-2445-01	CPU Unit Complete (DPL Version)	DPL Firmware
2	DPO51-2445-11	CPU Unit w/LAN Complete (DPL Version)	DPL Firmware
3	15-3227-01	PRINTER BODY KIT-COMPACT	
4	532533	HEAD LIFT-COMPACT	Includes item #5
5	15-3232-01	HANDLE COMPLETE	
6	PHD20-2270-01	PRINT HEAD-200 DPI	
6	PHD20-2271-01	PRINTHEAD-300DPI	

3. Compact4 Mark II

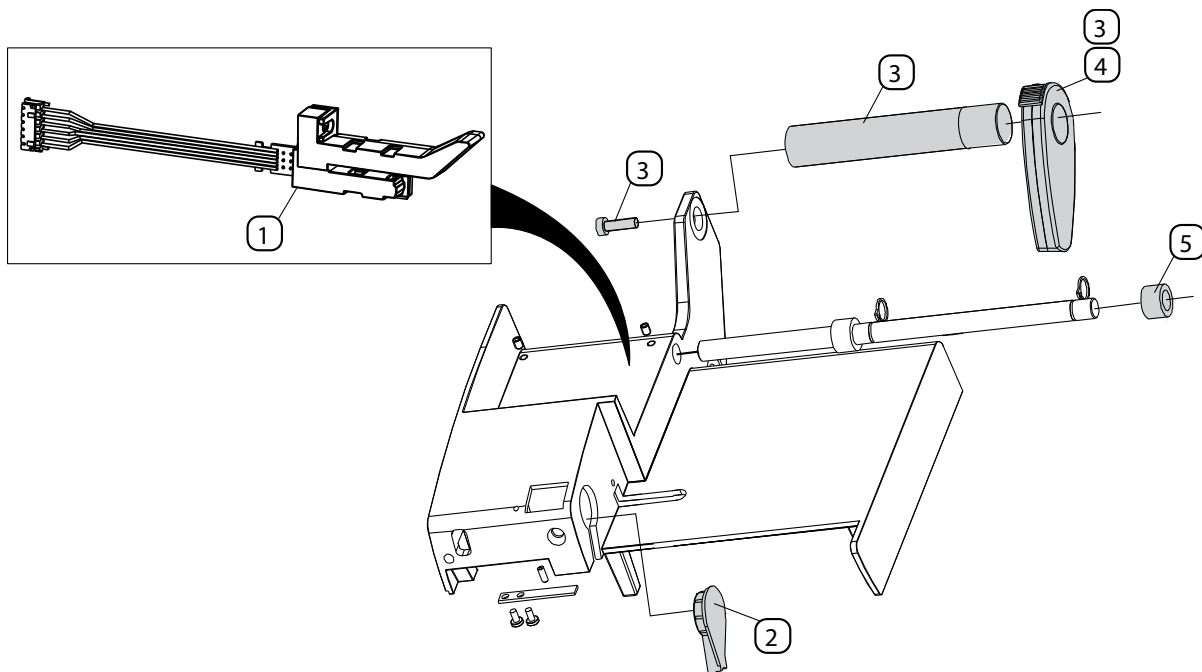
Top Cover



Item	Part number	Description	Remark
7	502630	CABLE PRINthead-200DPI-COMPACT	
--	DPO17-3199-01	ANTENNA BLACK SILEX	Not shown
--	DPO17-3161-01	ANTENNA WHITE SILEX	Not shown

3. Compact4 Mark II

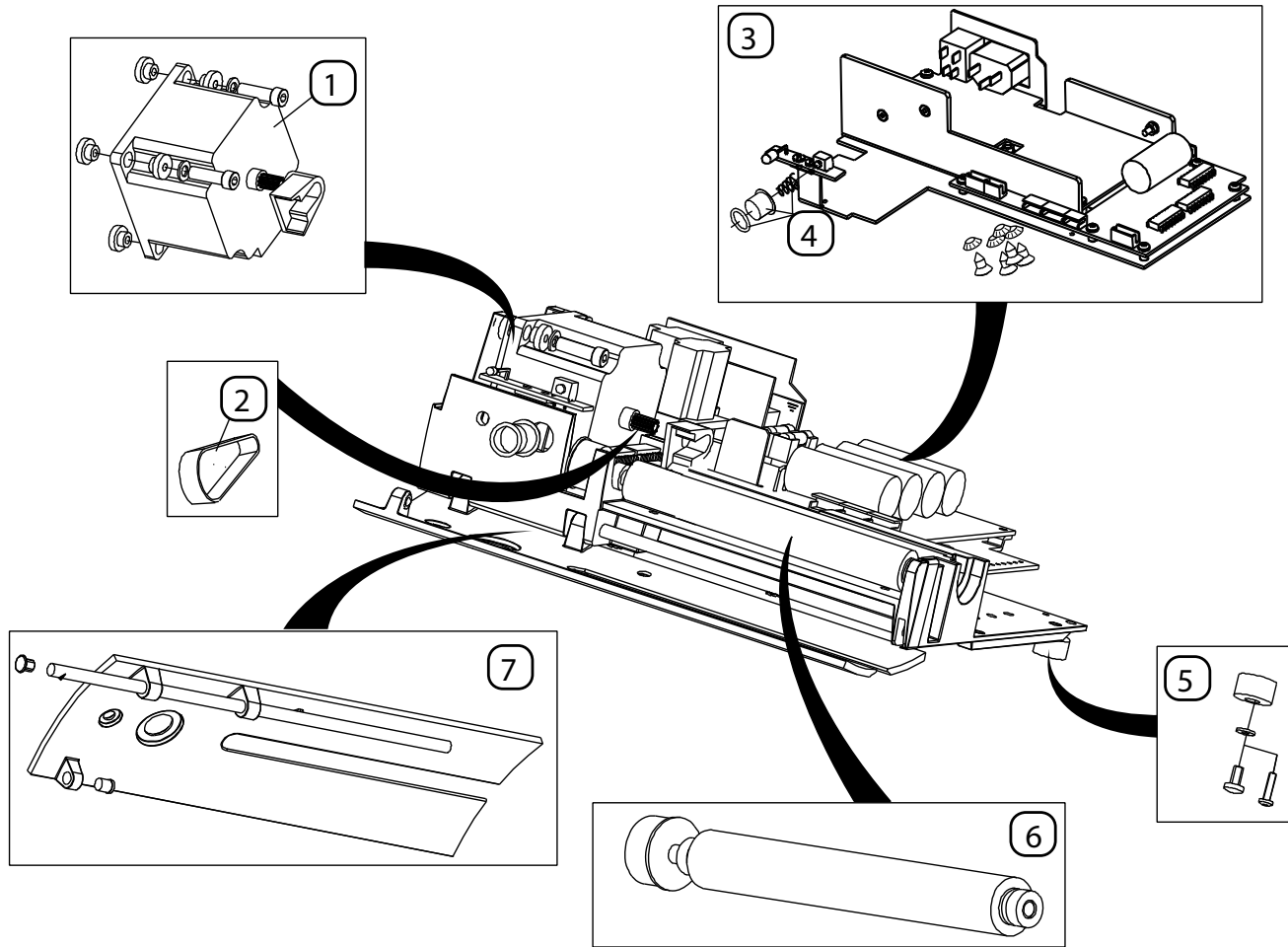
Body



Item	Part number	Description	Remark
1	532632	MPS CARD COMPLETE	
2	532555	LOCK-PRINT ROLL-COMPACT (x20)	
3	532518	MEDIA SHAFT-COMPACT	Includes item #4
4	532598	ROLL STEERING COMPLETE	
5	532554	BEARING-TOP COVER (x20)	

3. Compact4 Mark II

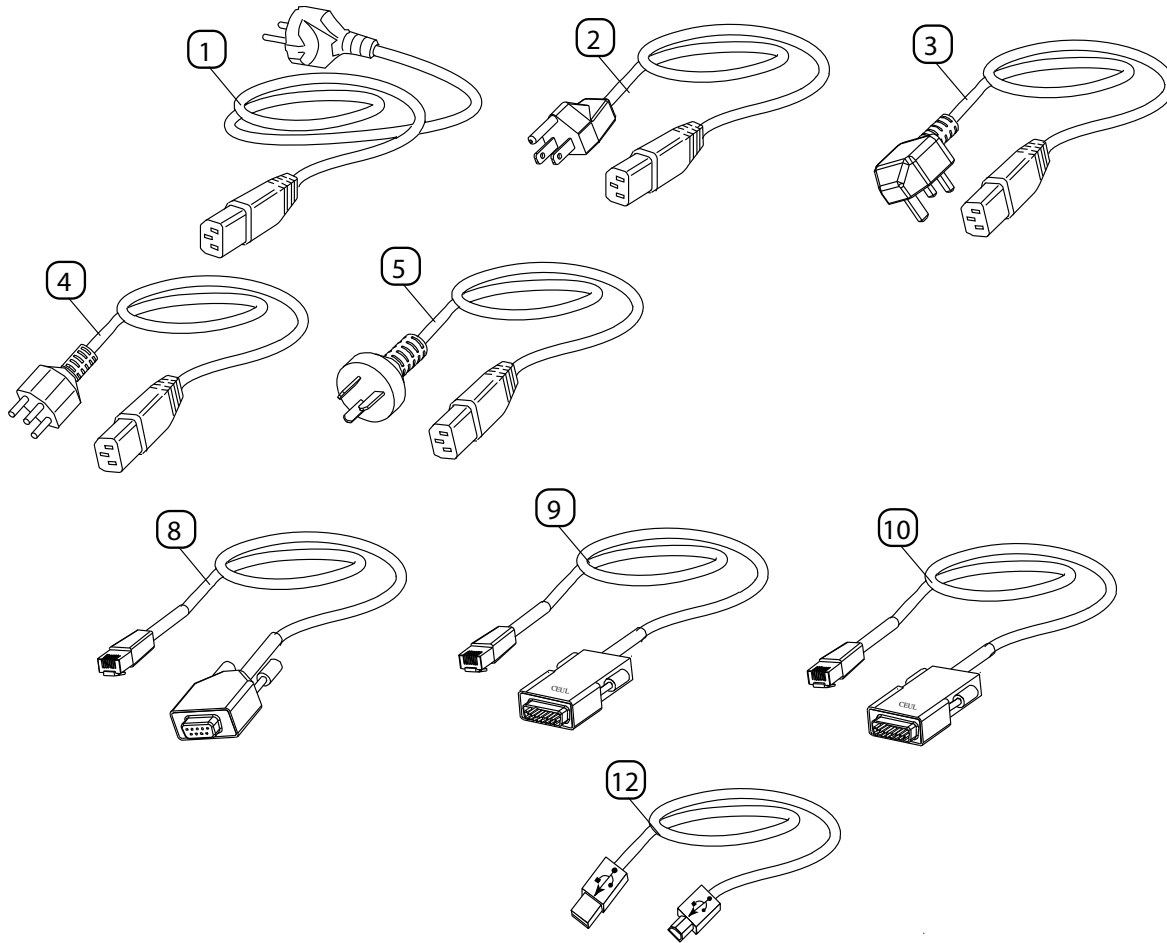
Base



Item	Part number	Description	Remark
1	532152	STEPPER MOTOR KIT-COMPACT	
2	532557	T-BELT-PRINTROLL-COMPACT (x5)	
3	50-2068-01	POWER SUPPLY AC-COMPACT	Includes item #4 (x1)
4	532552	PRINT BUTTON-COMPACT (x10)	
5	532559	FEET-COMPACT (x20)	
6	532513	PRINT ROLL COMPLETE	
7	15-3228-01	FRONT LID KIT-COMPACT	

3. Compact4 Mark II

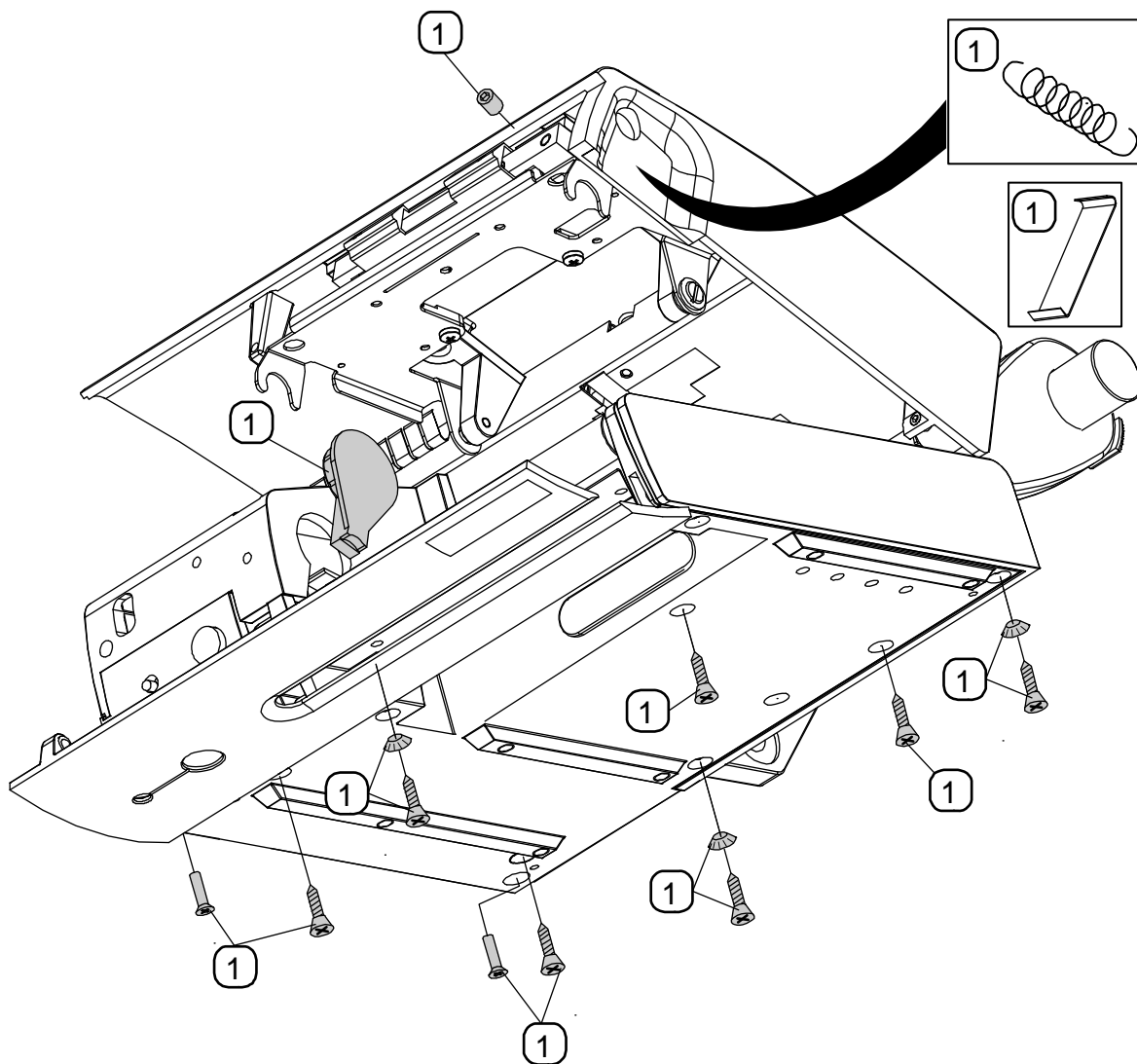
Cables



Item	Part number	Description	Remark
1	586267	CABLE MAIN EU BLACK	
2	130063	CABLE-MAIN-USA/CANADA BLACK	
3	32-2025-01	CABLE-MAIN-UK BLACK	
4	32-2375-01	CABLE-MAIN-SWISS BLACK	
5	100147	CABLE-MAIN-DENMARK	
8	502542	CABLE SER (RJ45)	
9	540707	CABLE-PAR/SER-STD-COMPACT	
10	540706	CABLE-PAR/SER-SPECIAL-COMPACT	
12	502543	USB-CABLE	

3. Compact4 Mark II

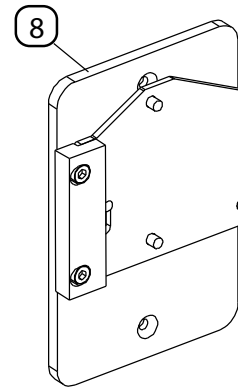
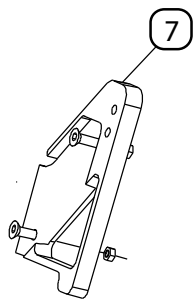
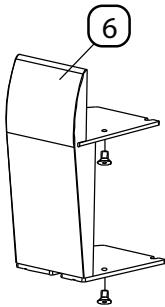
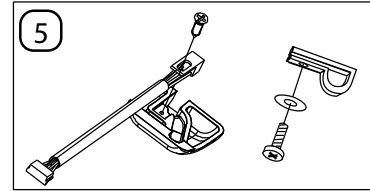
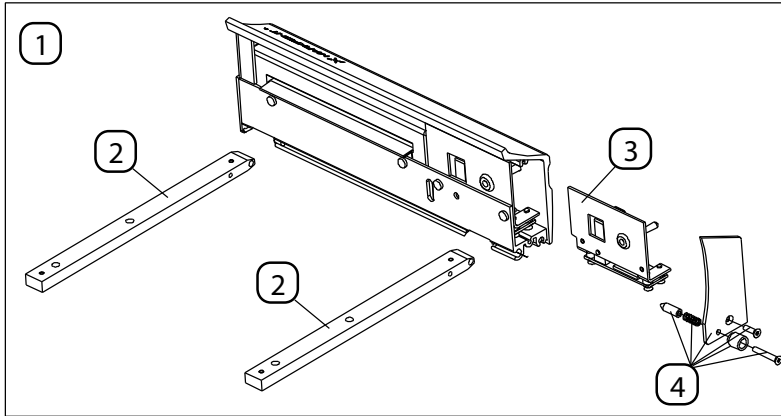
Repair Spare Kit



Item	Part number	Description	Remark
1	540102	REPAIR SPARE KIT COMPACT	The kit also includes parts not suitable for this model.

3. Compact4 Mark II

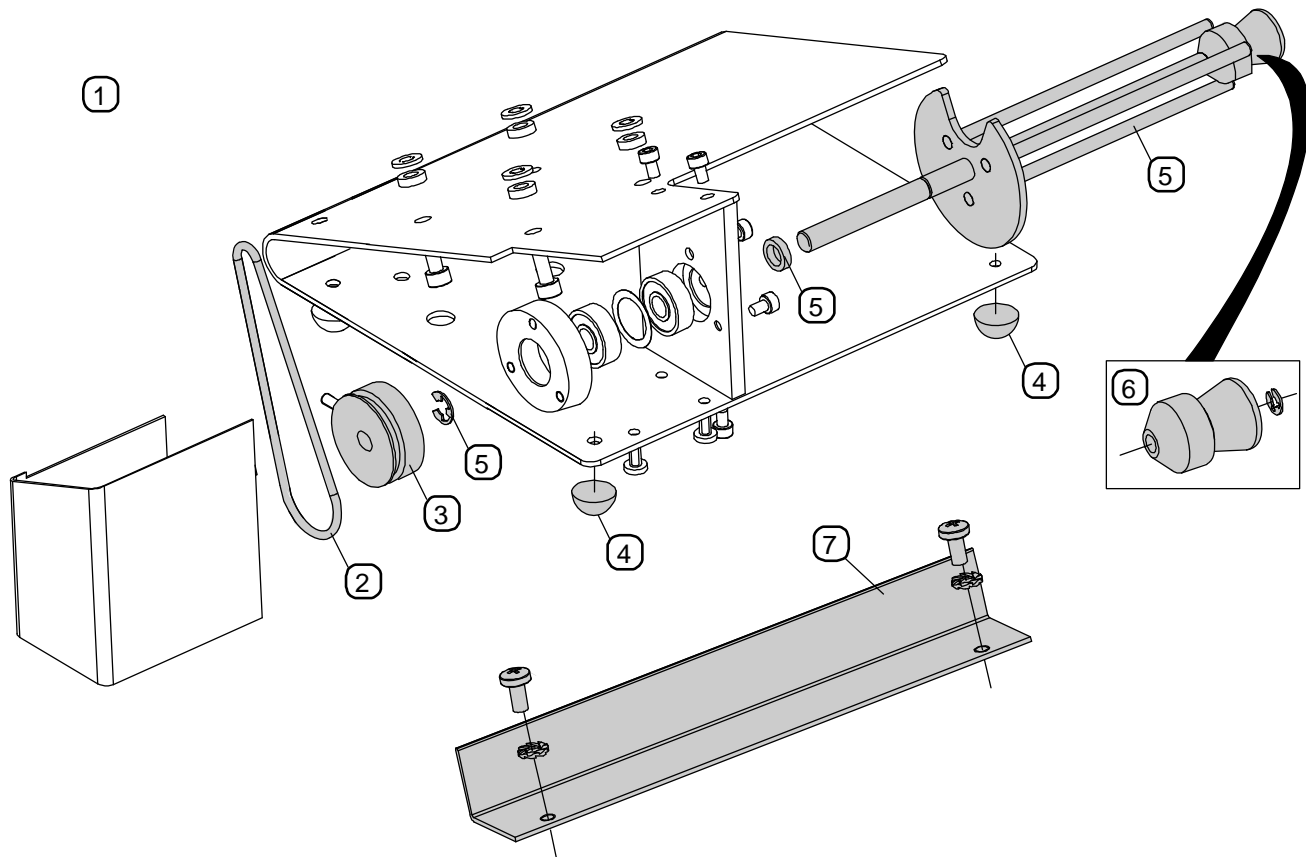
Options & Accessories



Item	Part number	Description	Remark
1	400002	CUTTER-HEAVY DUTY- COMPACT	Accessory, Not factory fitted
2	502732	CUTTER HOLDER (X1)	Option
3	532741	RELAY HOLDER COMPL	Option
4	532743	LOCK MECH-CUTTER-COMPACT	Option
5	400003	LTS KIT-COMPACT	Accessory, Not factory fitted
6	532546	TOWERMOUNT KIT-COMPACT	Option
7	400006	LABELROLL KIT-150MM-COMPACT	Accessory, Not factory fitted
8	532575	WALLMOUNT KIT-COMPACT	Option

3. Compact4 Mark II

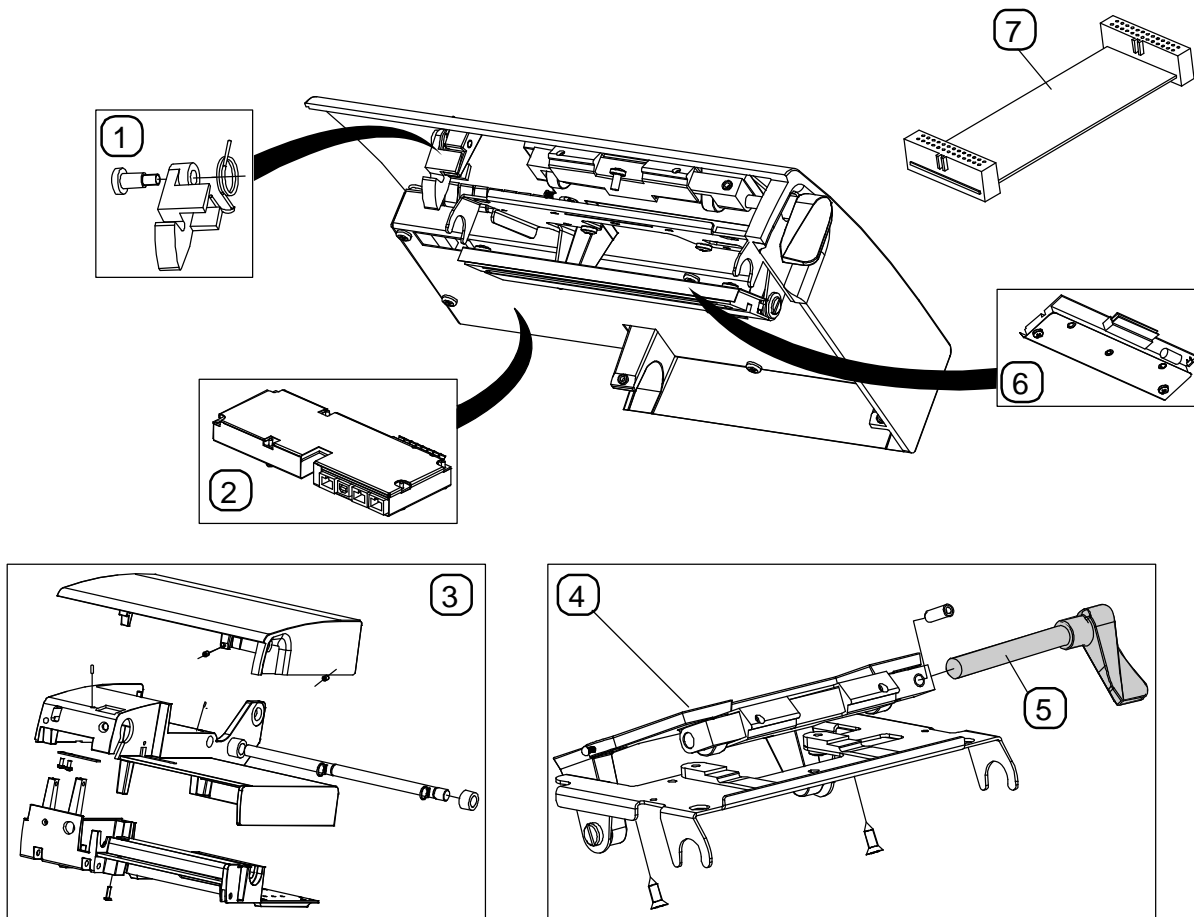
Peel Off



Item	Part number	Description	Remark
1	400000	PEEL-OFF KIT-100MM-COMPACT	Accessory, Not factory fitted
2	502670	DRIVE BELT-PEEL-OFF-COMPACT	Option
3	502667	T-WHEEL-PEEL-OFF-COMPACT	Option
4	532625	FEET-PEEL-OFF-COMPACT (X20)	Option
5	532667	BOBBIN KIT-PEEL-OFF-COMPACT	Includes item #6, Option
6	532643	KIT TURNING KNOB COMPACT	Option
7	532669	PEEL-OFF BAR	Option

4. Compact4 Mobile Mark II

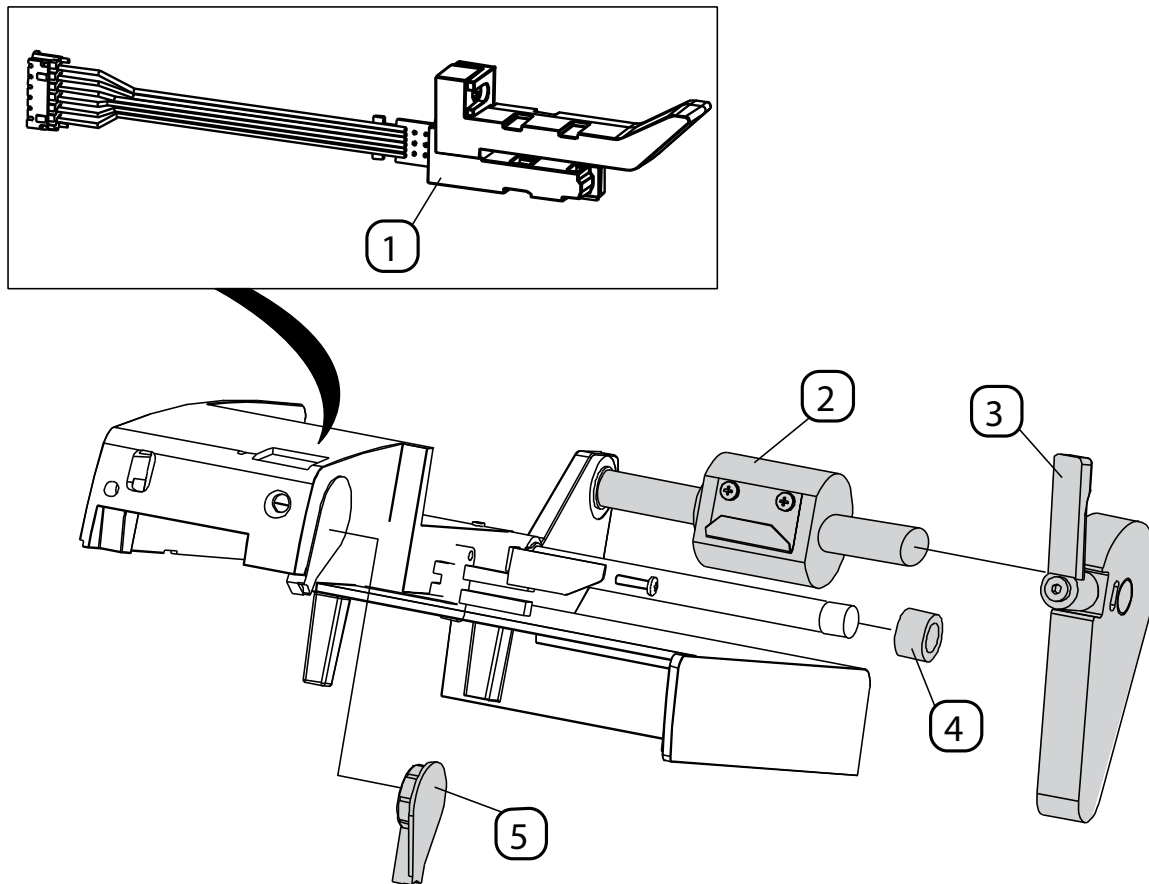
Top Cover



Item	Part number	Description	Remark
1	532520	LOCKING HOOK KIT	
2	532770	CPU UNIT COMPLETE	Labelpoint Firmware
2	532769	CPU UNIT w/LAN COMPLETE	Labelpoint Firmware
2	DPO51-2445-01	CPU Unit Complete (DPL Version)	DPL Firmware
2	DPO51-2445-11	CPU Unit w/LAN Complete (DPL Version)	DPL Firmware
3	15-3227-01	PRINTER BODY KIT-COMPACT	
4	532533	HEAD LIFT-COMPACT	
5	15-3233-01	HANDLE COMPLETE	
6	PHD20-2270-01	PRINthead-200 DPI	
6	PHD20-2271-01	PRINthead-300DPI	
7	502630	CABLE PRINthead-200DPI-COMPACT	
--	DPO17-3199-01	ANTENNA BLACK SILEX	
--	DPO17-3161-01	ANTENNA WHITE SILEX	

4. Compact4 Mobile Mark II

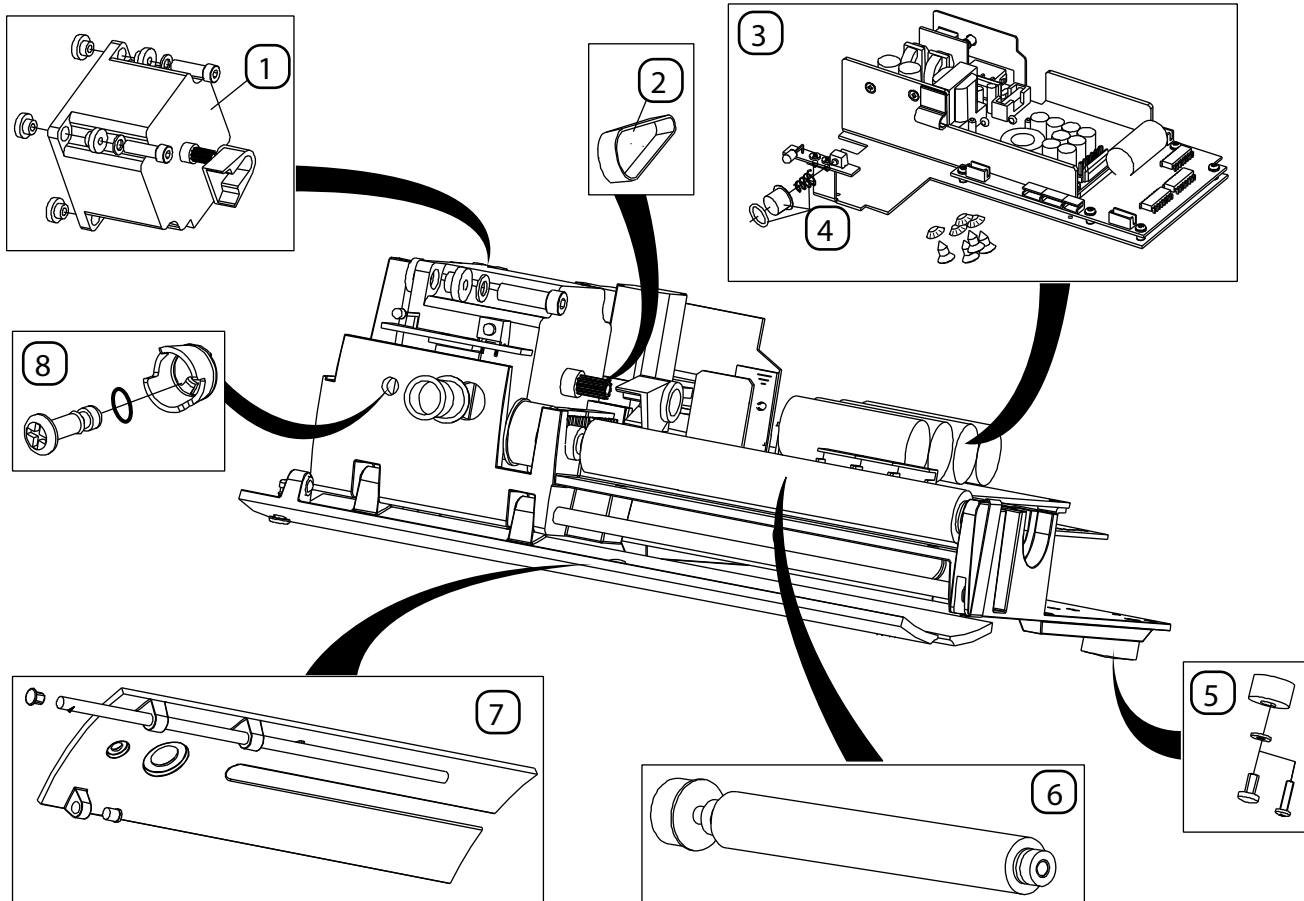
Body



Item	Part number	Description	Remark
1	532632	MPS CARD COMPLETE	
2	532652	MEDIA SHAFT & GUIDE COMPACT MOBILE	
3	532069	MEDIA GUIDE-LOCKABLE-COMPACT	
4	532554	BEARING-TOP COVER (x20)	
5	532555	LOCK-PRINT ROLL-COMPACT (x20)	

4. Compact4 Mobile Mark II

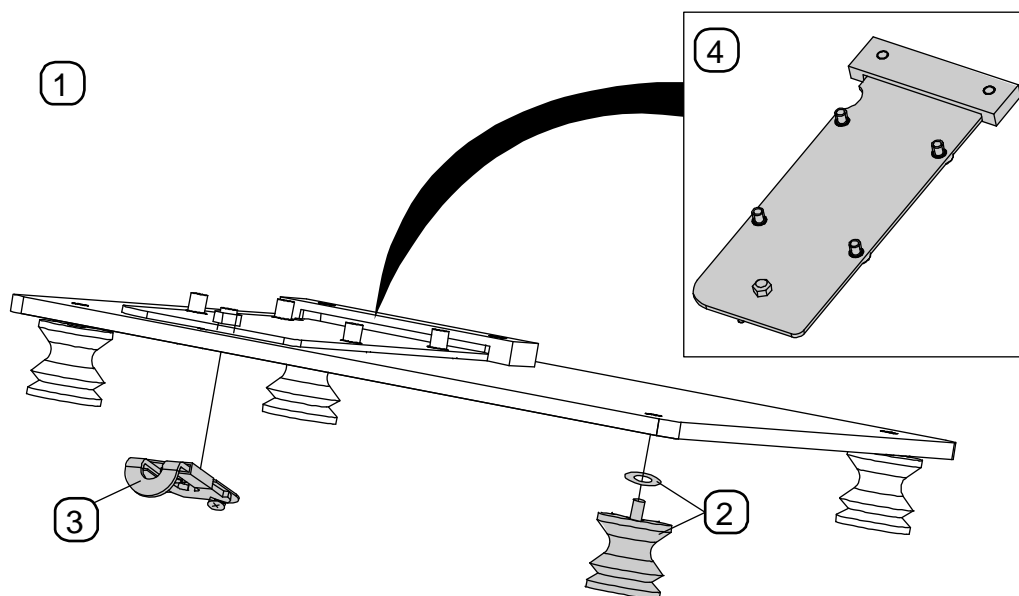
Base



Item	Part number	Description	Remark
1	532152	STEPPER MOTOR KIT-COMPACT	
2	532557	T-BELT-PRINTROLL-COMPACT (x5)	
3	50-2070-01	POWER SUPPLY DC-COMPACT MOBILE	
4	532552	PRINT BUTTON-COMPACT (x10)	
5	532559	FEET-COMPACT (x20)	
6	532513	PRINT ROLL COMPLETE	Includes item #8 (x1)
7	15-3229-01	FRONT LID KIT-COMPACT MOBILE	
8	532622	LOCKING SCREW-10PCS-COMPACT MOBILE	

4. Compact4 Mobile Mark II

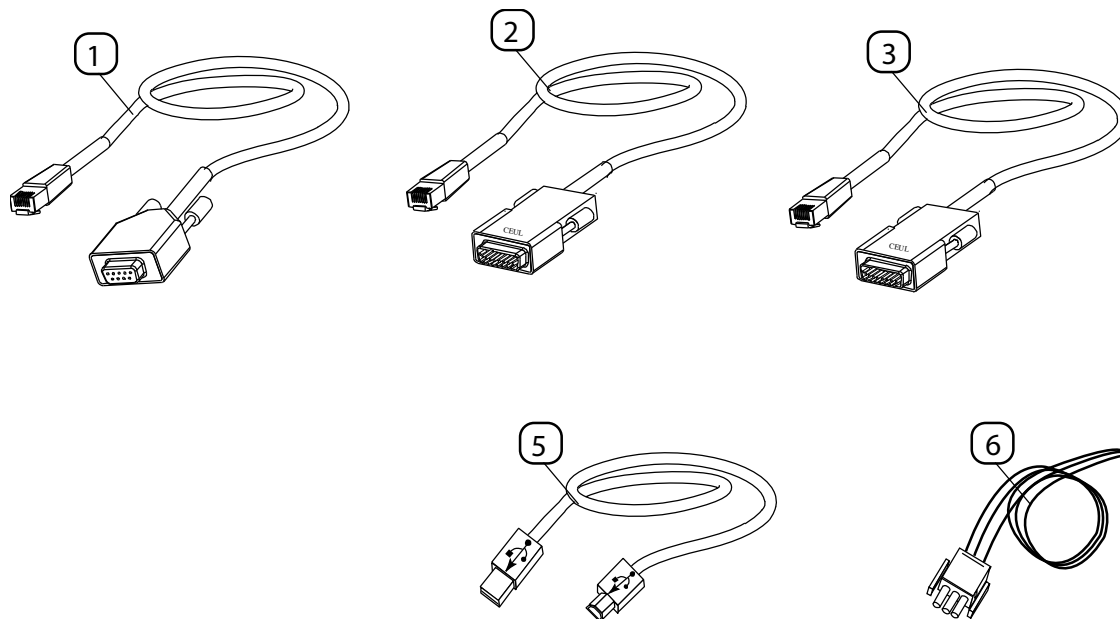
Plate



Item	Part number	Description	Remark
1	532595	PLATE KIT-COMPACT MOB	Contains Items 2, 3, and 4
2	532615	SHOCK ABS FEET-COMPACT MOBILE (x4)	
3	532617	SLIDE LATCH KIT-COMPACT MOBILE (x5)	
4	532596	PRINTER ATTACHMENT	

4. Compact4 Mobile Mark II

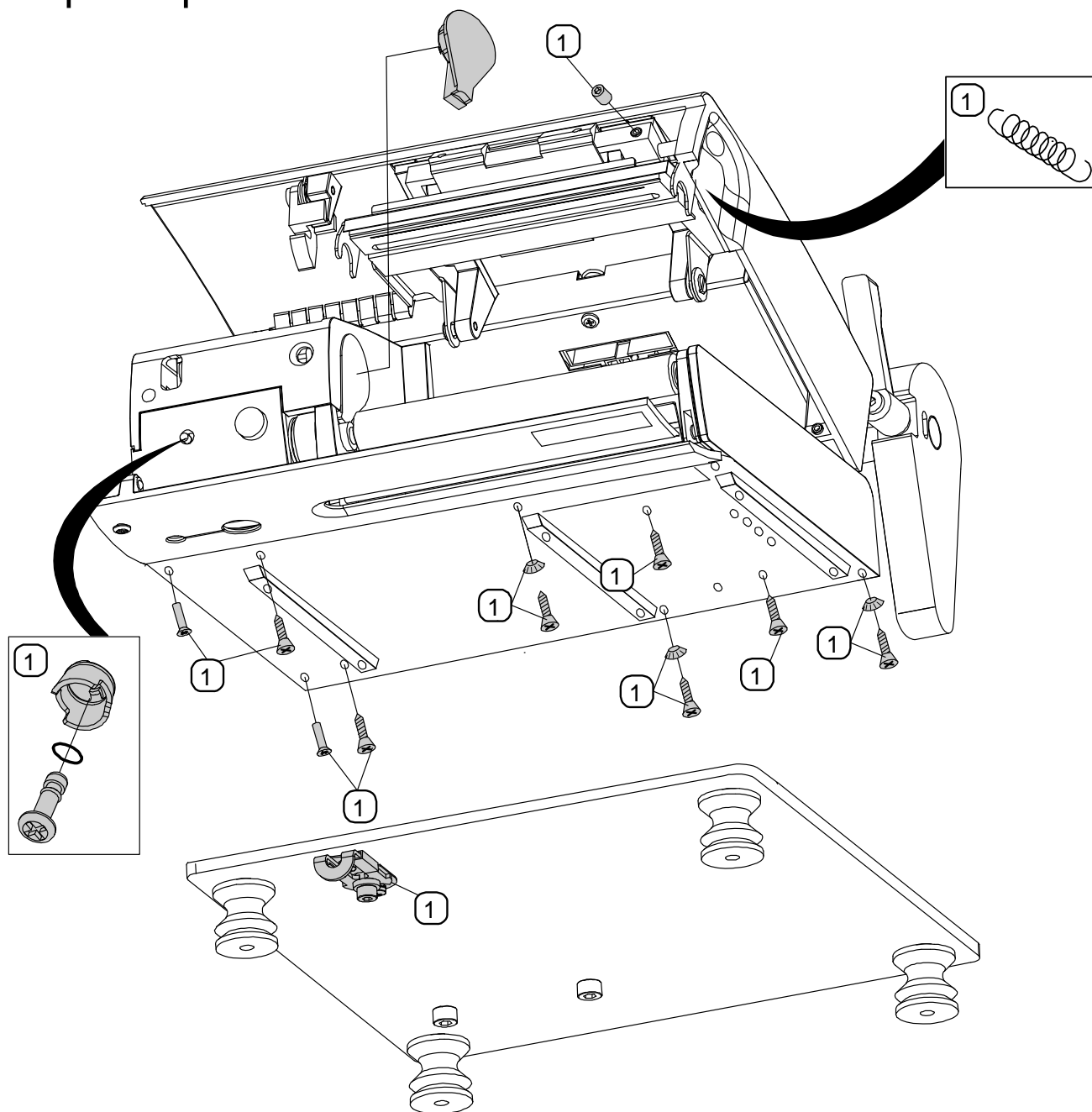
Cables



Item	Part number	Description	Remark
1	502542	CABLE SER (RJ45)	
2	540707	CABLE-PAR/SER-STD-COMPACT	
3	540706	CABLE-PAR/SER-SPECIAL-COMPACT	
5	502543	USB-CABLE	
6	501139	CABLE-DC-MOB	

4. Compact4 Mobile Mark II

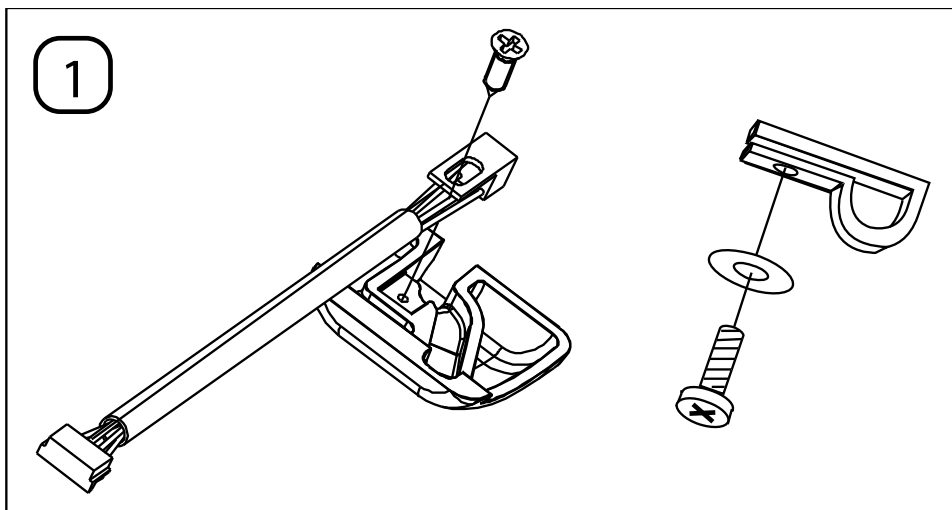
Repair Spare Kit



Item	Part number	Description	Remark
1	540102	REPAIR SPARE KIT COMPACT	

4. Compact4 Mobile Mark II

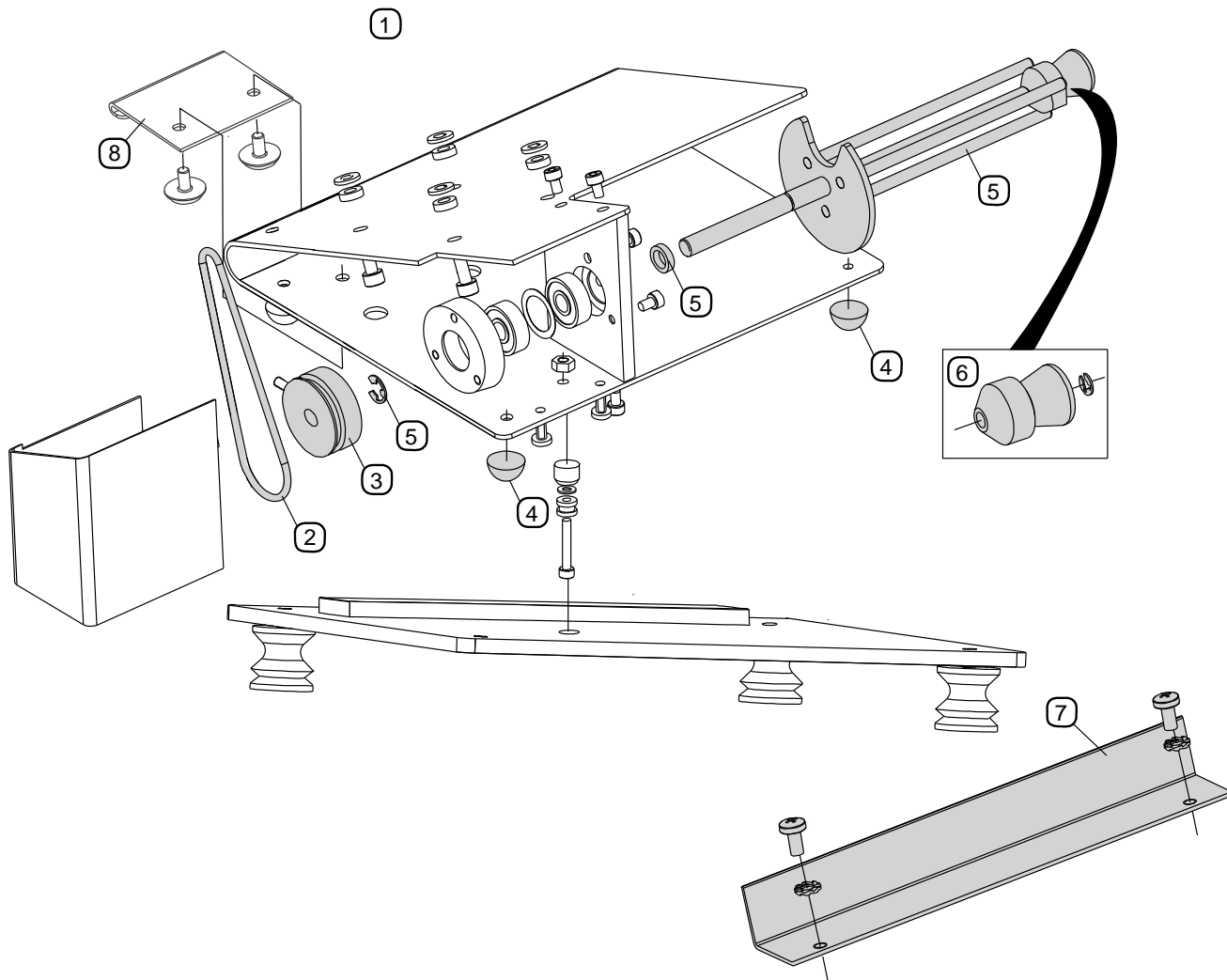
Options & Accessories



Item	Part number	Description	Remark
1	400003	LTS KIT-COMPACT	Accessory, Not factory fitted

4. Compact4 Mobile Mark II

Peel Off



Item	Part number	Description	Remark
1	532640	PEEL-OFF KIT-10MM COMPACT MOBILE	Option
1	400001	PEEL-OFF KIT-10MM COMPACT MOBILE	Accessory, Not factory fitted
2	502670	DRIVE BELT-PEEL-OFF-COMPACT	Option
3	502667	T-WHEEL-PEEL-OFF-COMPACT	Option
4	532625	FEET-PEEL-OFF-COMPACT (X20)	Option
5	532667	BOBBIN KIT-PEEL-OFF-COMPACT	Includes item #6, Option
6	532643	KIT TURNING KNOB COMPACT	Option
7	532669	PEEL-OFF BAR	Option
8	400069	PEEL OFF HOOK	Option