



FARM MACHINERY INDUSTRIES



PMUS01GT5-0301

HAY TEDDER GT 500-540 US SPRING - HYDRAULIC VERSION

PARTS LIST

When ordering spare parts or asking for technical information on your tedder, please be sure to always mention the implement's serial numbers. This is very important when ordering spare parts. Always use only original Tonutti spare parts so as not to incur in any problems regarding the warranty policy for this implement.

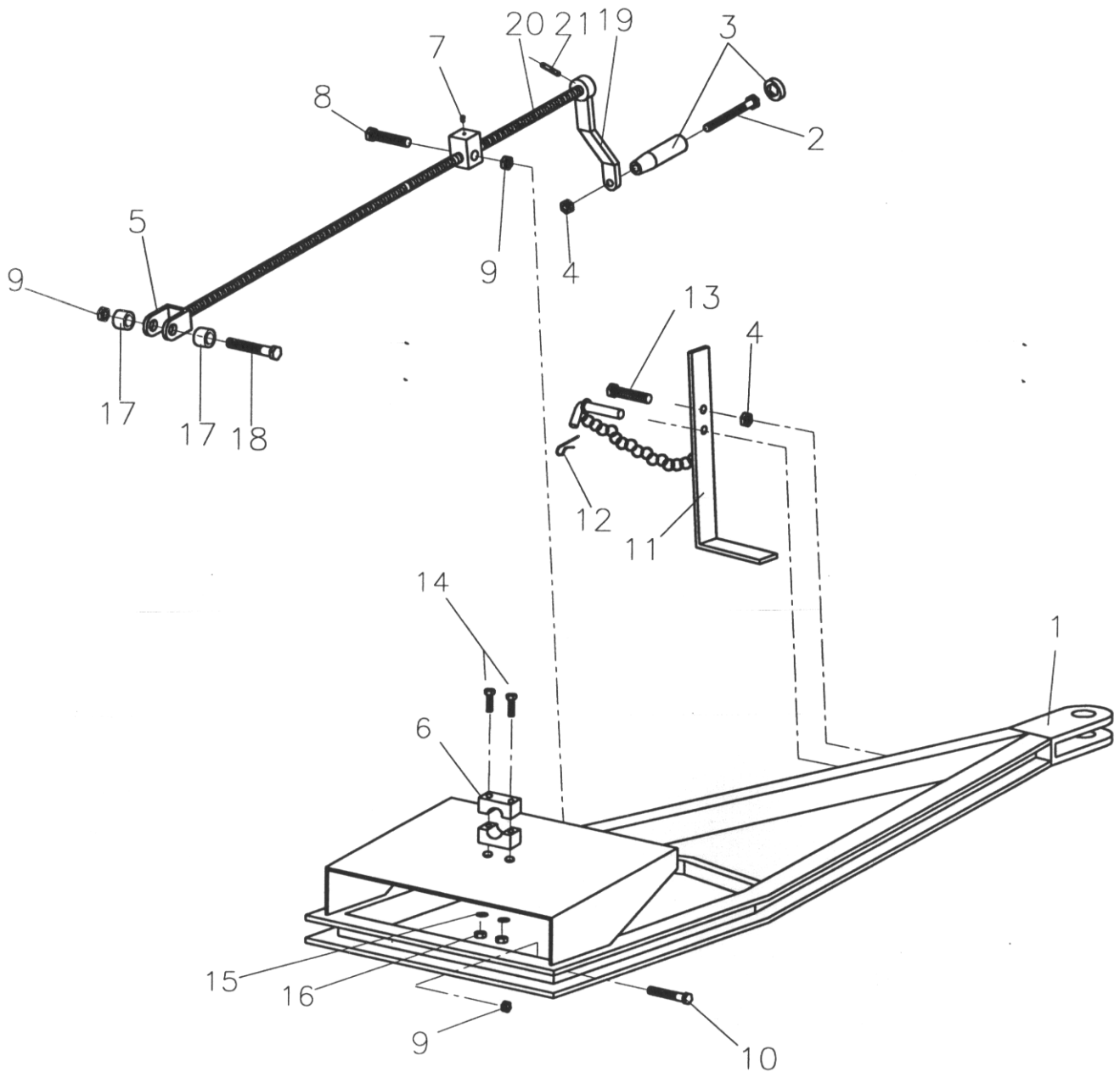
Head Office	Factories	U.S. Warehouse	RUSSIAN Warehouse
Via Udine 16 33047 Remanzacco (Italy) Phone ++39-0432-667015 Fax ++39-0432-668282	Remanzacco (UD) Rivignano (UD) Vezzano (RE)	S&T Distributing Co. 1909 Thomas Road Memphis TN.38134 Phone 901-385-8841 Fax 901-385-8288	G.M.T. Limited 3 Tekhnicheskaja Street Perm, 614070 Phone 007-3422-90-90-96 Fax 007-3422-90-90-96

e-mail: tonutti@tonutti.it

web site: www.tonutti.it



DRAWBAR MOD. 250 - 310 - 380 - 440 - 500 - 540



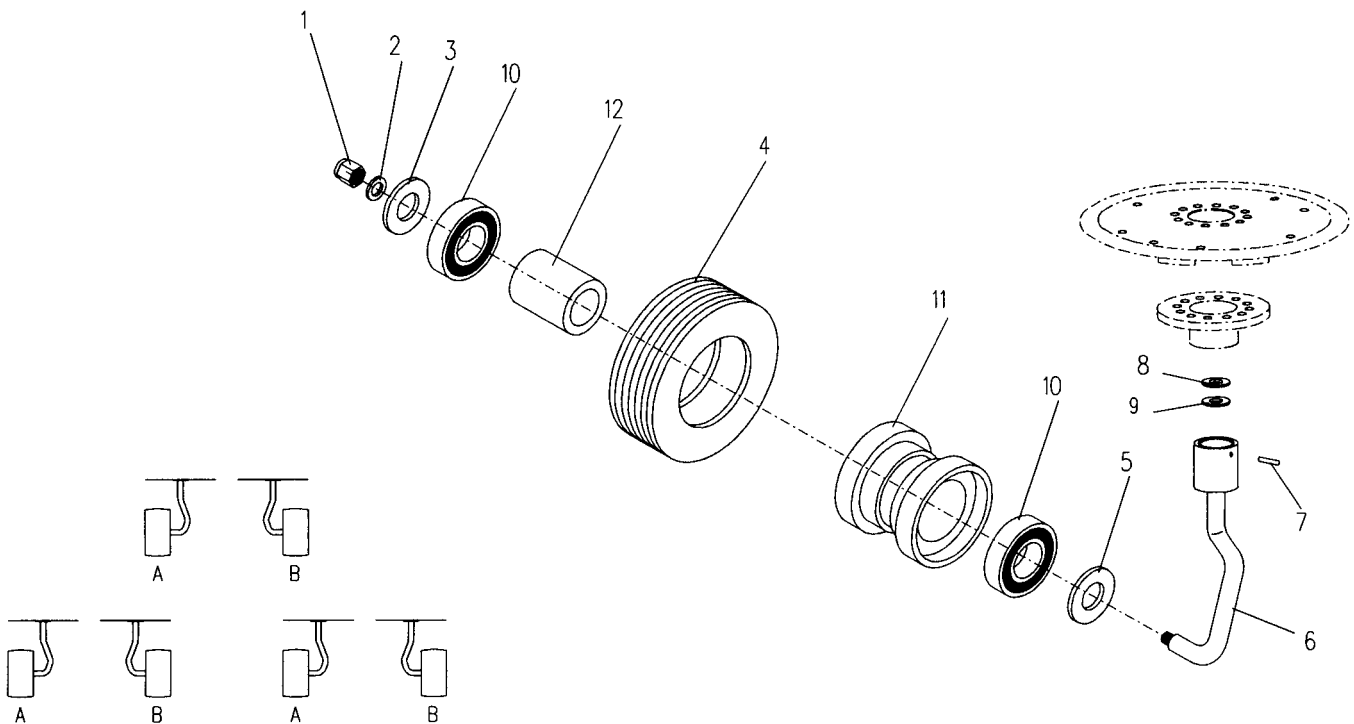
DRAWBAR MOD. 250 - 310 - 380 - 440 - 500 - 540

N#	CODE#	DESCRIPTION	Q.TY 250>540	Q.TY 500-540 'S'
1	60077635	LONG DRAWBAR FOR SCREW 27 GT	-	1
	60077640	VERTICAL LONG DRAWBAR GT	1	-
2	10060348	HEX.SOCKET H.CAP.SCREW TCEI 12X90	1	1
3	16071150	PLASTIC HANDLE FOR SCREW	1	1
4	10070012	SELF LOCKNUT - CONE 12MA	1	2
5	600869130	COMPLETE ADJUSTMENT SCREW GALV.	1	1
6	60005805	FLEXIBLE CONNECTION BLOCK GTH	-	1
7	10010011	GREASE NIPPLE 6MA (90°)	1	1
8	10060154	HEX. HEAD SCREW TE 16X90	1	1
9	10070016	SELF LOCKNUT - CONE 16MA	4	4
10	10060151	HEX. HEAD SCREW TE 16X65 GALV.	2	2
11	620595100	STAND	-	1
12	13010030	COTTER 'R' 3	-	1
13	10060089	HEX. HEAD SCREW TE 12X65	-	1
14	10060210	SCREW TC 6MAX45	-	2
15	10080206	WASHER Ø6 -TRADE-	-	2
16	10070006	SELF LOCKNUT - NYLON - 6MA	-	2
17	60005921	ANTI WEAR BUSHING 16,5X25H9X18	2	2
18	10060152	HEX. HEAD SCREW TE 16X80	1	1
19	600434050	HANDLE FOR DRAWBAR SCREW GALV.	1	1
20	600048050	THREADED BAR M27	1	1
21	10050034	COTTER SPRING 6X50 GALV.	1	1



FIXED AXLE THREE POIN HITCH MOD. 250 - 310 - 380 - 440 - 500 - 540

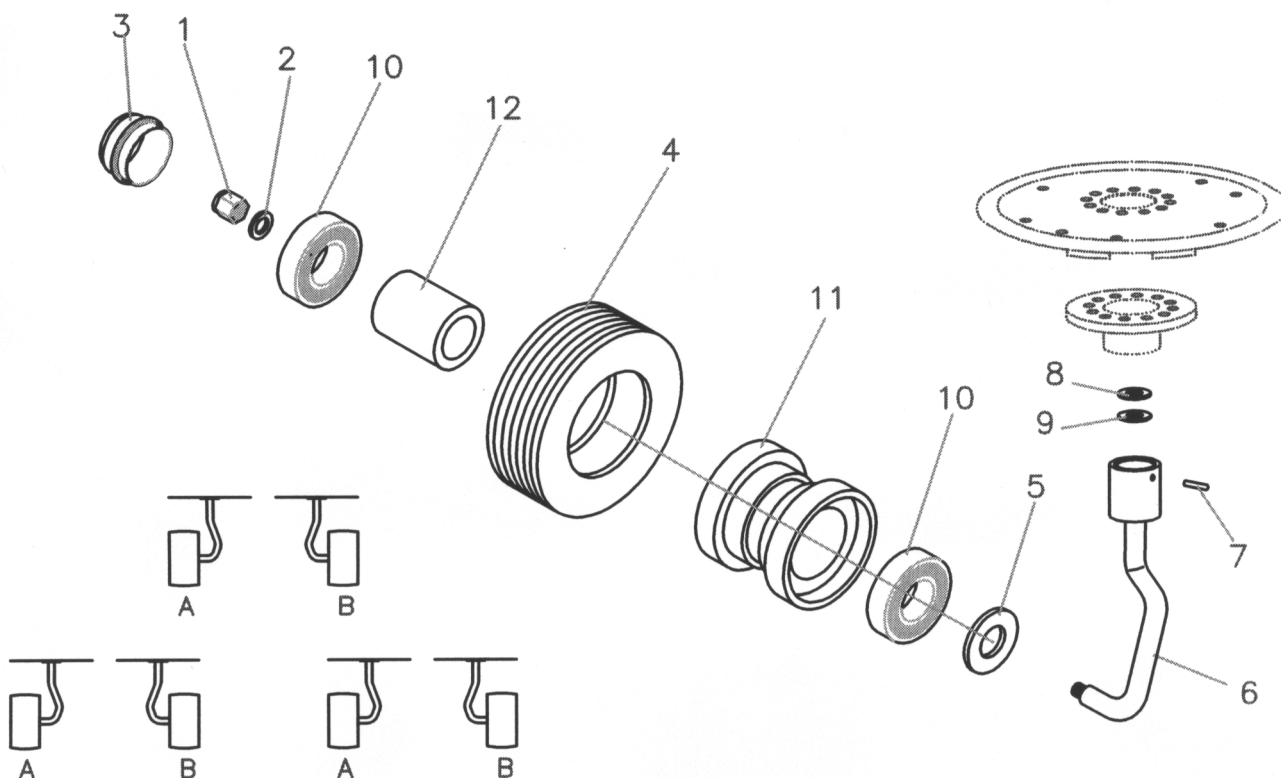
N#	CODE#	DESCRIPTION	Q.TY 230-310	Q.TY 380>540
1	10070016	SELF LOCKNUT - CONE 16MA	2	4
2	10080216	WASHER Ø 16 - TRADE-	2	4
3	14030355	OUTER HAY-PROTECTION	2	4
4	14030356	TYRE TUBE 3.50.6	2	-
	14071566	TYRE TUBE 15.600.6	(2)	4
5	14030354	INNER HAY-PROTECTION	2	4
6	600246026	LH FORK Ø 35 (A) GT	1	2
	600246016	RH FORK Ø 35 (B) GT	1	2
7	10050067	DOUBLE SPRING COTTER 10X55	2	4
8	11010366	WASHER 36X53X1,5	1	2
9	11010360	WASHER 36X53X0,4	1	2
10	12012219	BEARING 6205 2RS	4	8
11	14030352	WHEEL RIM 3.50.6	2	-
	14071562	WHEEL RIM 15.600.6	-	4
12	14014910	WHEEL SPACER 3.50.6	2	-
	14014905	WHEEL SPACER 15.600.6	-	4
	14030350	COMPL. PNEUMATIC TYRE 3.50.6		
	14071560	COMPL. PNEUMATIC TYRE 15.600.6		



**FIXED AXLE THREE POINT HITCH MOD. 250 - 310 AND DRAWBAR MOD. 250
310 - 380 - 440 - 500 - 540 LONG HUB**

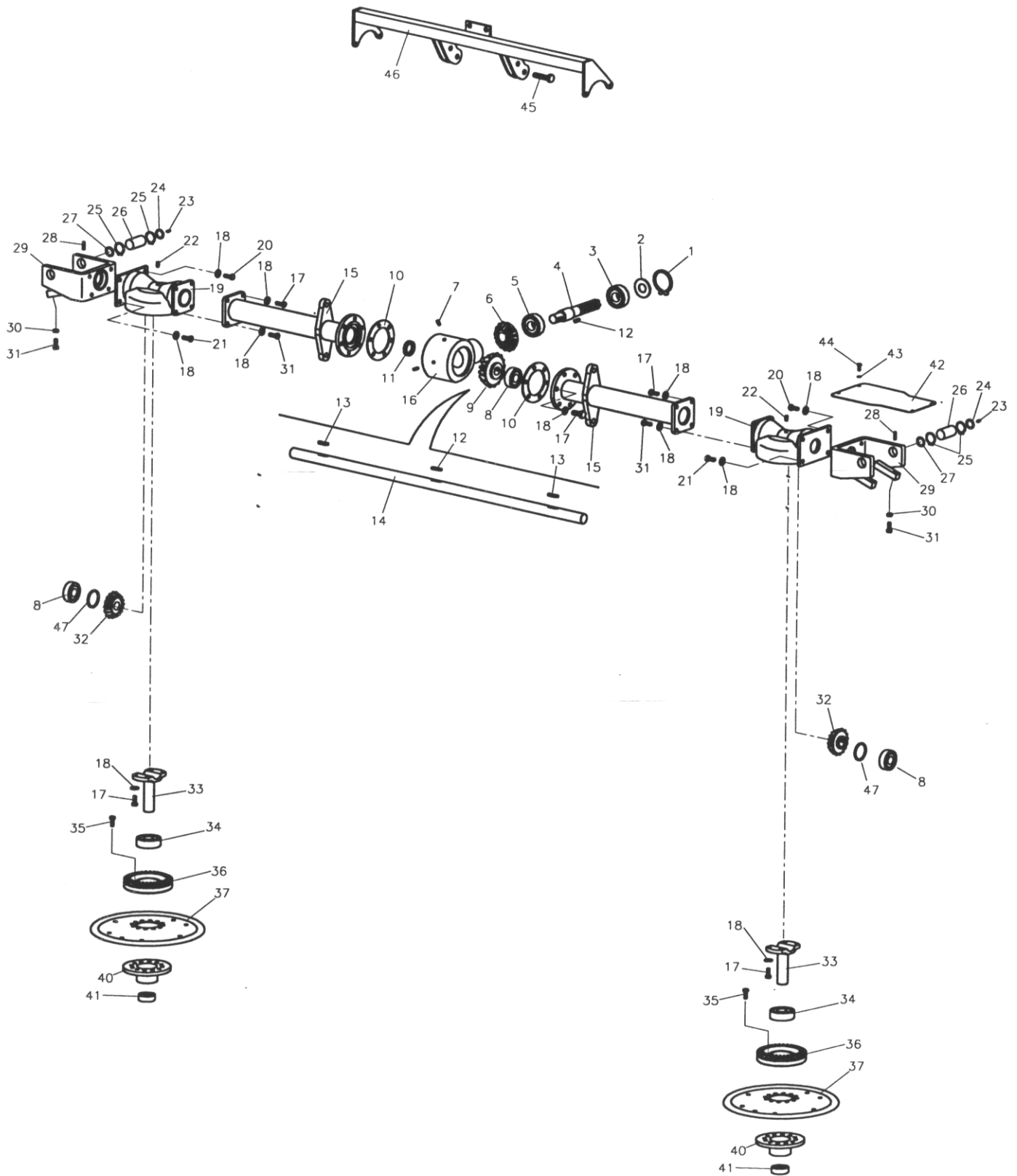
**FOR GT 500 FROM SERIAL NUMBER# 165308, 12026 AND 642578
FOR GT 540 FROM SERIAL NUMBER# 165415 AND 644023**

N#	CODE#	DESCRIPTION	Q.TY 250-310	Q.TY 380>540
3	14071565	OUTER HAY-PROTECTION Ø 52	2	4
11	14071563	WHEEL RIM 15.600.6	2	4
	14071561	COMPL. PNEUMATIC TYRE 15.600.6		





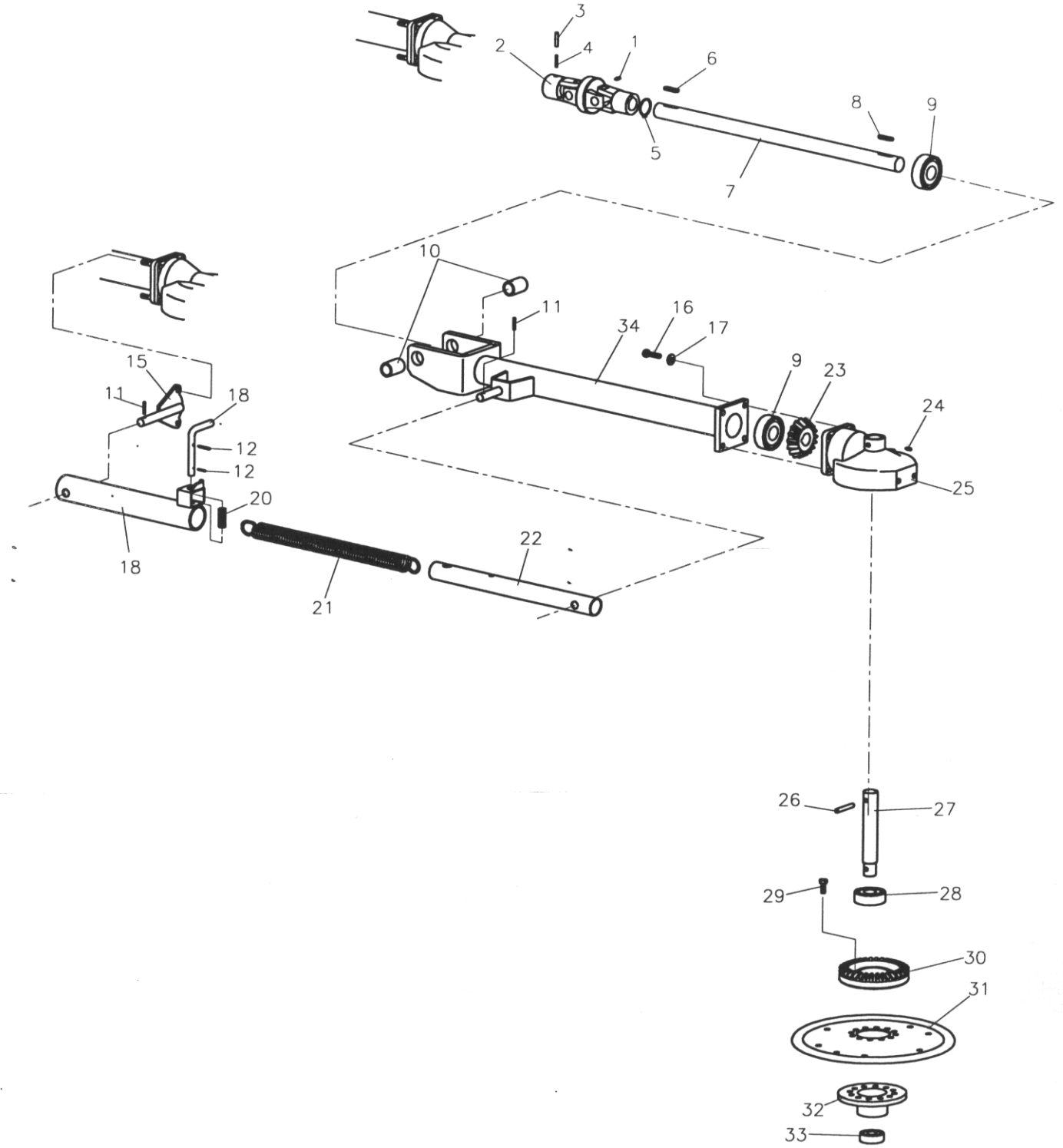
CENTRAL GEAR BOX MOD. 500-540 SPRING DRAWBAR VERSION



**CENTRAL GEAR BOX MOD. 500-540 SPRING DRAWBAR VERSION**

N#	CODE#	DESCRIPTION	Q.TY 500	Q.TY 540
1	10040062	SNAP RING ØI 72	1	1
2	11010368	WASHER 36X71X1,5	1	1
3	12012227	BEARING 6207 2RS (GT500)	1	-
	12012226	BEARING 6207 2RS C3 (GT540)	-	1
4	600600110	POWER TAKE-OFF	1	1
5	12012220	BEARING 6206 (GT500)	1	-
	12012221	BEARING 6206 2RS C3 (GT540)	-	1
6	50616116	BEVEL GEAR Z=16	1	1
7	10010003	BEVEL OIL PLUG - WRENCH 13 - 3/8"	2	2
8	12012223	BEARING 6206 2RS	3	3
9	50611023	BEVEL GEAR Z=23	1	1
10	11050270	GEAR BOX GASKET	2	2
11	12053062	OIL SEAL 30X62X10	1	1
12	10030017	STEADY PIN 7X8X40	2	2
13	10030015	STEADY PIN 7X8X30	2	2
14	606004020	MAIN SHAFT GT 500	1	-
	607004020	MAIN SHAFT GT540	-	1
15	40616155	INNER WING GT500	2	-
	40616160	INNER WING GT540	-	2
16	40617610	CENTRAL GEAR BOX GT	1	1
17	10060074	HEX. HEAD SCREW TE 12X30	20	20
18	10080013	REINF. LOCKWASHER Ø12 RINF.	36	36
19	40617680	MIDDLE GEAR BOX	2	2
20	10060085	HEX. HEAD SCREW TE 12X55	4	4
21	10060077	HEX. HEAD SCREW TE 12X35	4	4
22	10010002	GREASE NIPPLE 10MA	2	2
23	10010001	GREASE NIPPLE 6MA	4	4
24	11010314	WASHER 31X48X1	1	1
25	10040034	SNAP RING ØE 30	8	8
26	60058015	PIVOT PIN FOR HINGES (30X52)	4	4
27	11010315	WASHER 31X48X3	4	4
28	10060015	CONICAL DOWEL 8MAX14	4	4
29	40617861	INNER HINGE GT H	2	2
30	10070012	SELF LOCKNUT - CONE 12MA	4	4
31	10060081	HEX. HEAD SCREW TE 12X45	8	8
32	50616117	CONICAL PIGNON Z=17	2	2
33	50616020	PIVOT PIN WITH FLANGE	2	2
34	12012227	BEARING 6207 2RS	2	2
35	10060325	HEX.SOCKET H.CAP.SCREW TCEI 12X30	8	8
36	40611134	CONICAL CROWN Z=34	2	2
37	60014810	DISC GT	2	2
40	40614510	CROWN HUB	2	2
41	12012027	BEARING 6007 2RS	2	2
42	60011605	RUBBER COUPLING COVER	2	2
43	10080208	WASHER Ø 8 - TRADE-	8	8
44	10060215	HEX.HEAD SCREW TE 8X15	8	8
45	10060079	HEX. HEAD SCREW TE 12X40	4	4
46	60679310	REINFORCEMENT TUBE GT500	1	-
	60779305	REINFORCEMENT TUBE GT540	-	1
47	60014910	SPACER FOR GEAR	2	2

R.H. WING MOD. 500 - 540 SPRING DRAWBAR VERSION

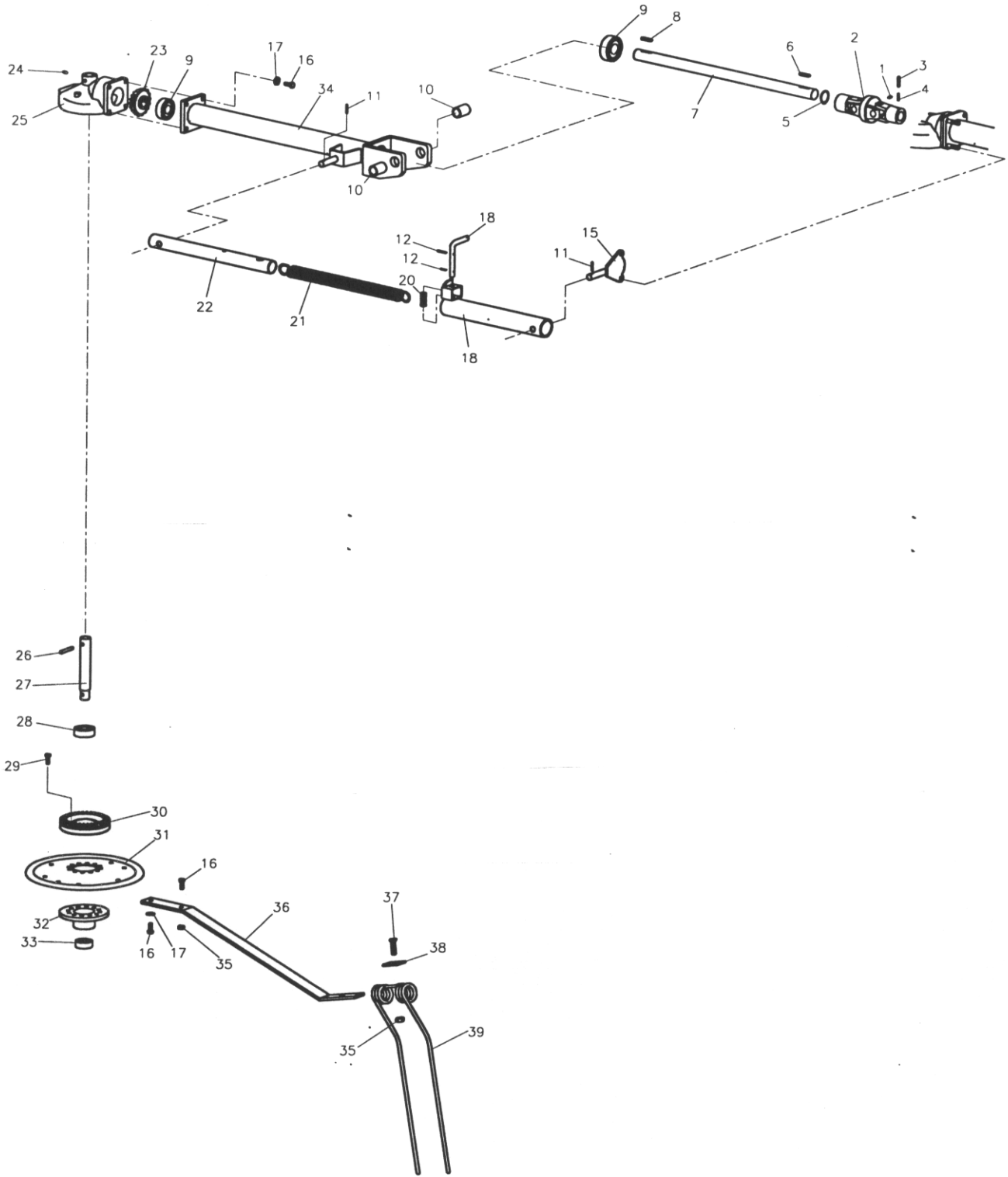


R.H. WING MOD. 500 - 540 SPRING DRAWBAR VERSION

N#	CODE#	DESCRIPTION	Q.TY 500	Q.TY 540
1	10010001	GREASE NIPPLE 6MA	1	1
2	15500525	DOUBLE COUPLING	1	1
3	10050068	SPRING COTTER 10X60	1	1
4	10050037	SPRING COTTER 6X60	1	1
5	10040034	SNAP RING ? E 30	1	1
6	10030017	STEADY PIN 7X8X40	1	1
7	606012020	OUTER MOVEMENT SHAFT GTH500	1	-
	607012020	OUTER MOVEMENT SHAFT GTH540	-	1
8	10030015	STEADY PIN 7X8X30	1	1
9	12012223	BEARING 6206 2RS	2	2
10	16050120	BUSHING 30X35X16	2	2
11	10050034	SPRING COTTER 6X50	2	2
12	10050032	SPRING COTTER 6X35	2	2
15	60058025	VERTICAL SPRING CONNECTING PIV. PIN GT	1	1
16	10060074	HEX. HEAD SCREW TE 12X30	4	4
17	10080013	REINF. LOCKWASHER Ø12 RINF.	28	28
18	600099010	RH OUTER TUBE WITH HANDLE	1	1
20	13030380	SPRING Ø21 L=50 THREAD 2 (GRINDED)	1	1
21	13030351	TUBE LIFTING SPRING GT (VERTICAL)	1	1
22	60009905	INNER LIFTING TUBE GT	1	1
23	50616117	CONICAL PIGNON Z=17	1	1
24	10010002	GREASE NIPPLE 10MA	1	1
25	40617640	OUTER GEAR BOX GT	1	1
26	10050067	DOUBLE SPRING COTTER 10X55	1	1
27	600008020	SHORT SHAFT GT230-540	1	1
28	12012227	BEARING 6207 2RS	1	1
29	10060325	HEX.SOCKET H.CAP.SCREW TCEI 12X30	4	4
30	40611134	CONICAL CROWN Z=34	1	1
31	60014810	DISC GT	1	1
32	40614510	CROWN HUB	1	1
33	12012027	BEARING 6007 2RS	1	1
34	606603075	RH OUTER VERTICAL WING 500 (WELDED)	1	-
	607603035	RH OUTER VERTICAL WING GT500 (WELDED)	-	1



L.H. WING MOD. 500 - 540 SPRING DRAWBAR VERSION

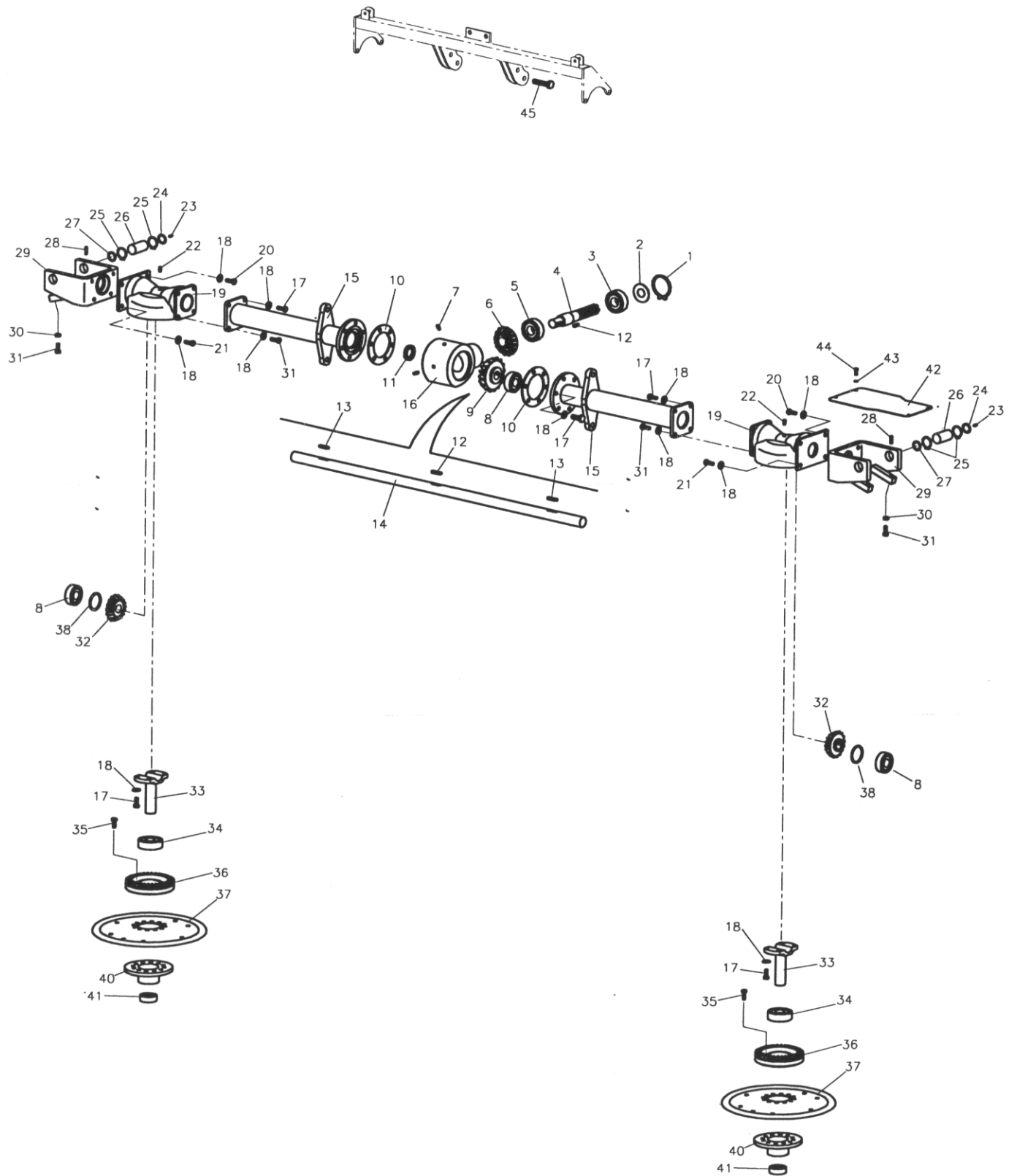


L.H. WING MOD. 500 - 540 SPRING DRAWBAR VERSION

N#	CODE#	DESCRIPTION	Q.TY 500	Q.TY 540
1	10010001	GREASE NIPPLE 6MA	1	1
2	15500525	DOUBLE COUPLING	1	1
3	10050068	SPRING COTTER 10X60	1	1
4	10050037	SPRING COTTER 6X60	1	1
5	10040034	SNAP RING ØE 30	1	1
6	10030017	STEADY PIN 7X8X40	1	1
7	606012020	OUTER MOVEMENT SHAFT GTH500	1	-
	607012020	OUTER MOVEMENT SHAFT GTH540	-	1
8	10030015	STEADY PIN 7X8X30	1	1
9	12012223	BEARING 6206 2RS	2	2
10	16050120	BUSHING 30X35X16	2	2
11	10050034	SPRING COTTER 6X50	2	2
12	10050032	SPRING COTTER 6X35	2	2
15	60058025	VERTICAL SPRING CONNECTING PIV. PIN GT	1	1
16	10060074	HEX. HEAD SCREW TE 12X30	52	52
17	10080013	REINF. LOCKWASHER Ø12 RINF.	28	28
18	600099015	RH OUTER TUBE WITH HANDLE	1	1
20	13030380	SPRING Ø21 L=50 THREAD 2 (GRINDED)	1	1
21	13030351	TUBE LIFTING SPRING GT (VERTICAL)	1	1
22	60009905	INNER LIFTING TUBE GT	1	1
23	50616117	CONICAL PIGNON Z=17	1	1
24	10010002	GREASE NIPPLE 10MA	1	1
25	40617640	OUTER GEAR BOX GT	1	1
26	10050067	DOUBLE SPRING COTTER 10X55	1	1
27	600008020	SHORT SHAFT GT230-540	1	1
28	12012227	BEARING 6207 2RS	1	1
29	10060325	HEX.SOCKET H.CAP.SCREW TCEI 12X30	4	4
30	40611134	CONICAL CROWN Z=34	1	1
31	60014810	DISC GT	1	1
32	40614510	CROWN HUB	1	1
33	12012027	BEARING 6007 2RS	1	1
34	606603080	LH OUTER VERTICAL WING 500 (WELDED)	1	-
	607603040	LH OUTER VERTICAL WING GT500 (WELDED)	-	1
35	10070012	SELF LOCKNUT - CONE 12MA		48
36	602061005	ARM GT500	24	-
	607061005	ARM GT540	-	24
37	10060081	HEX. HEAD SCREW TE 12X45	24	24
38	50606100	TINE HOLDER GT	24	24
39	13030315	TINE SPRING GT Ø 9,5	24	24

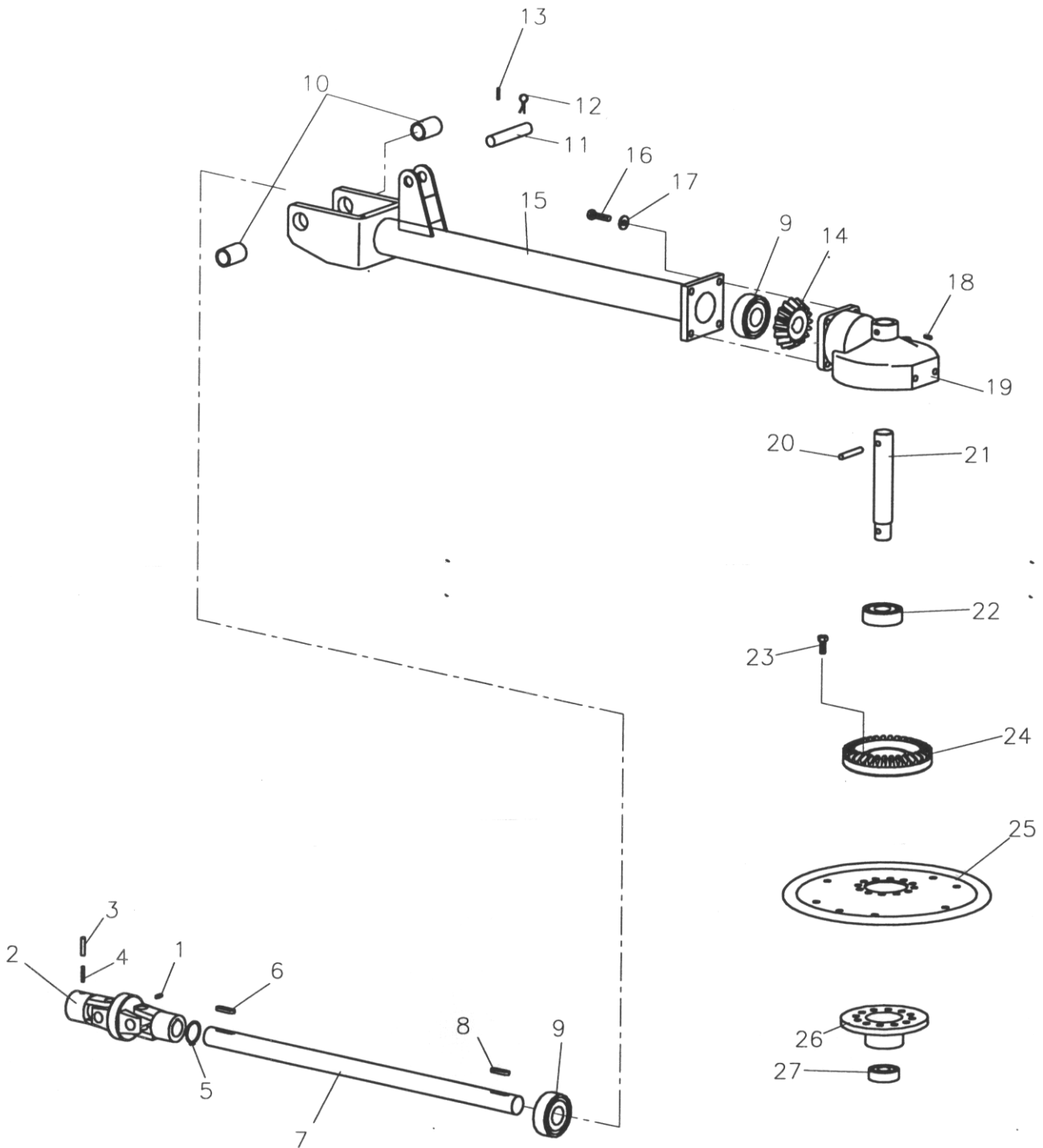


CENTRAL GEAR BOX MOD. 500 - 540 HYDRAULIC



CENTRAL GEAR BOX MOD. 500 - 540 HYDRAULIC

N#	CODE#	DESCRIPTION	Q.TY 500	Q.TY 540
1	10040062	SNAP RING ØI 72	1	1
2	11010368	WASHER 36X71X1,5	1	1
3	12012227	BEARING 6207 2RS (GT500)	1	-
	12012226	BEARING 6207 2RS C3 (GT540)	-	1
4	600600110	POWER TAKE-OFF	1	1
5	12012220	BEARING 6206 (GT500)	1	-
	12012221	BEARING 6206 2RS C3 (GT540)	-	1
6	50616116	BEVEL GEAR Z=16	1	1
7	10010003	BEVEL OIL PLUG - WRENCH 13 - 3/8"	2	2
8	12012223	BEARING 6206 2RS	3	3
9	50611023	BEVEL GEAR Z=23	1	1
10	11050270	GEAR BOX GASKET	2	2
11	12053062	OIL SEAL 30X62X10	1	1
12	10030017	STEADY PIN 7X8X40	2	2
13	10030015	STEADY PIN 7X8X30	2	2
14	606004020	MAIN SHAFT GT 500	1	-
	607004020	MAIN SHAFT GT540	-	1
15	40616155	INNER WING GT500	2	-
	40616160	INNER WING GT540	-	2
16	40617610	CENTRAL GEAR BOX GT	1	1
17	10060074	HEX. HEAD SCREW TE 12X30	20	20
18	10080013	REINF. LOCKWASHER Ø12 RINF.	36	36
19	40617680	MIDDLE GEAR BOX	2	2
20	10060085	HEX. HEAD SCREW TE 12X55	4	4
21	10060077	HEX. HEAD SCREW TE 12X35	4	4
22	10010002	GREASE NIPPLE 10MA	2	2
23	10010001	GREASE NIPPLE 6MA	4	4
24	11010314	WASHER 31X48X1	4	4
25	10040034	SNAP RING ØE 30	8	8
26	60058015	PIVOT PIN FOR HINGES (30X52)	4	4
27	11010315	WASHER 31X48X3	4	4
28	10060015	CONICAL DOWEL 8MAX14	4	4
29	40617861	INNER HINGE GT H	2	2
30	10070012	SELF LOCKNUT - CONE 12MA	4	4
31	10060081	HEX. HEAD SCREW TE 12X45	8	8
32	50616117	CONICAL PIGNON Z=17	2	2
33	50616020	PIVOT PIN WITH FLANGE	2	2
34	12012227	BEARING 6207 2RS	2	2
35	10060325	HEX.SOCKET H.CAP.SCREW TCEI 12X30	8	8
36	40611134	CONICAL CROWN Z=34	2	2
37	60014810	DISC GT	2	2
38	60014910	SPACER FOR GEAR	2	2
40	40614510	CROWN HUB	2	2
41	12012027	BEARING 6007 2RS	2	2
42	60011605	RUBBER COUPLING COVER	2	2
43	10080208	WASHER Ø 8 - TRADE-	8	8
44	10060215	HEX.HEAD SCREW TE 8X15	8	8
45	10060079	HEX. HEAD SCREW TE 12X40	4	4

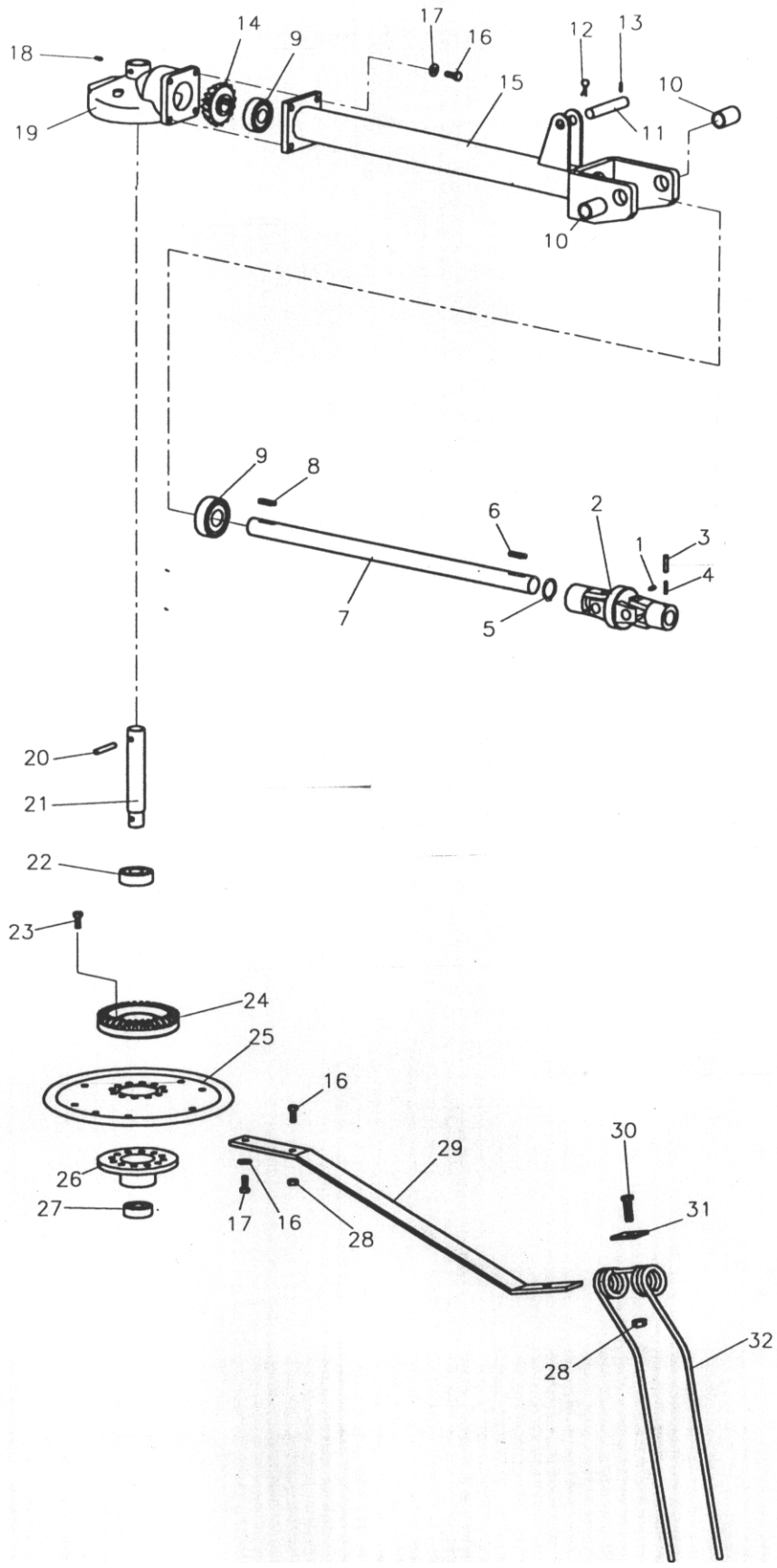
R.H. WING MOD. 500 - 540 HYDRAULIC DRAWBAR VERSION


R.H. WING MOD. 500 - 540 HYDRAULIC DRAWBAR VERSION

N#	CODE#	DESCRIPTION	Q.TY 500	Q.TY 540
1	10010001	GREASE NIPPLE 6MA	1	1
2	15500525	DOUBLE COUPLING	1	1
3	10050068	SPRING COTTER 10X60	1	1
4	10050037	SPRING COTTER 6X60	1	1
5	10040034	SNAP RING ØE 30	1	1
6	10030017	STEADY PIN 7X8X40	1	1
7	606012020	OUTER MOVEMENT SHAFT GTH500	1	-
	607012020	OUTER MOVEMENT SHAFT GTH540	-	1
8	10030015	STEADY PIN 7X8X30	1	1
9	12012223	BEARING 6206 2RS	2	2
10	16050120	BUSHING 30X35X16	2	2
11	600580035	IMPELLER CONNECTING PIVOT PIN	1	1
12	13010040	COTTER PIN R4	1	1
13	10050022	SPRING COTTER 5X36	1	1
14	50616117	CONICAL PIGNON Z=17	1	1
15	606603155	OUTER WING GTH 500 'USA' - WELDED	1	-
	607603030	OUTER WING GTH 540 'USA' - WELDED	-	1
16	10060074	HEX. HEAD SCREW TE 12X30	4	4
17	10080013	REINF. LOCKWASHER Ø12 RINF.	4	4
18	10010002	GREASE NIPPLE 10MA	1	1
19	40617640	OUTER GEAR BOX GT	1	1
20	10050067	DOUBLE SPRING COTTER 10X55	1	1
21	600008020	SHORT SHAFT GT230-540	1	1
22	12012227	BEARING 6207 2RS	1	1
23	10060325	HEX.SOCKET H.CAP.SCREW TCEI 12X30	4	4
24	40611134	CONICAL CROWN Z=34	1	1
25	60014810	DISC GT	1	1
26	40614510	CROWN HUB	1	1
27	12012027	BEARING 6007 2RS	1	1



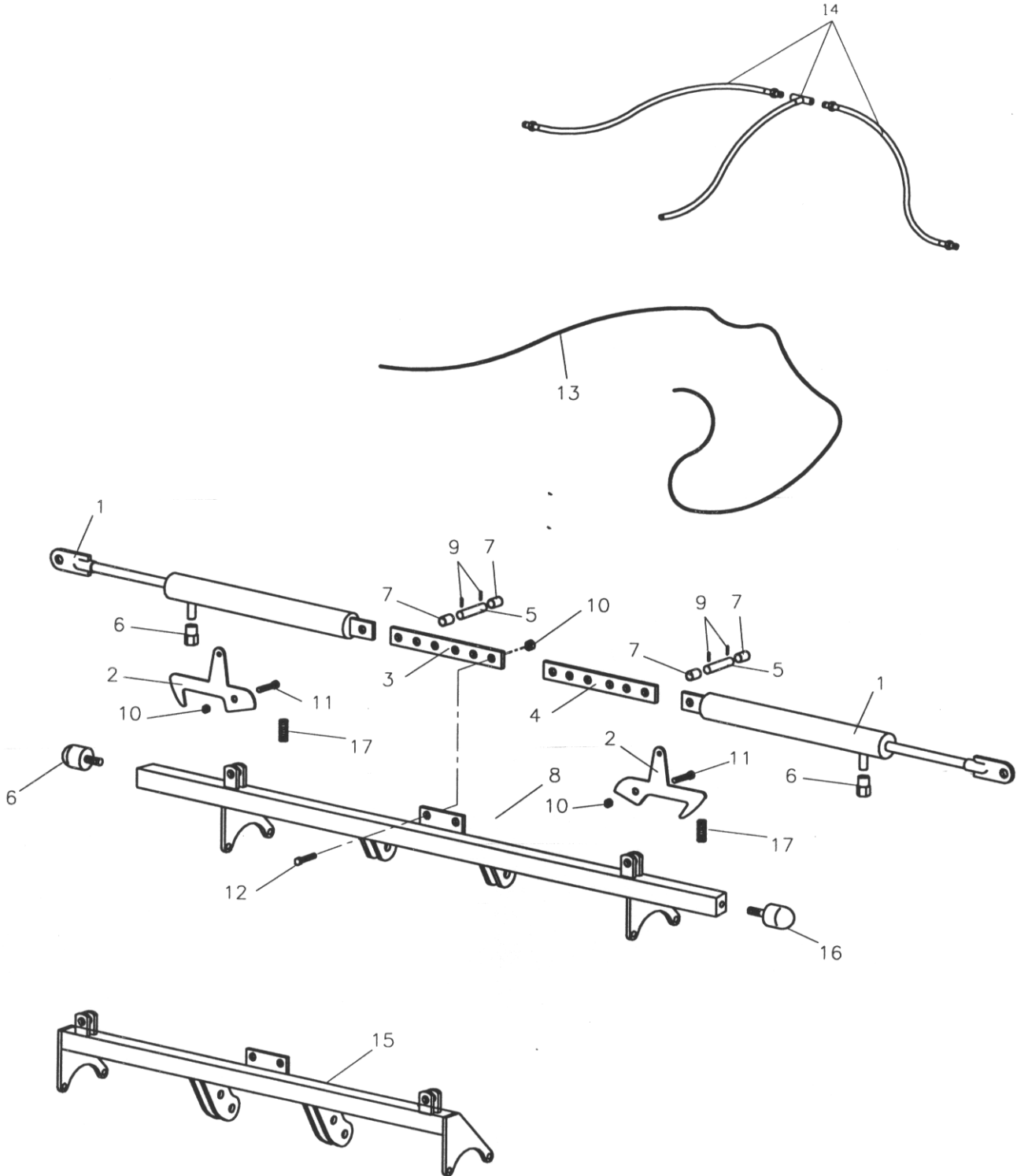
L.H. WING MOD. 500 - 540 HYDRAULIC DRAWBAR VERSION



L.H. WING MOD. 500 - 540 HYDRAULIC DRAWBAR VERSION

N#	CODE#	DESCRIPTION	Q.TY 500	Q.TY 540
1	10010001	GREASE NIPPLE 6MA	1	1
2	15500525	DOUBLE COUPLING	1	1
3	10050068	SPRING COTTER 10X60	1	1
4	10050037	SPRING COTTER 6X60	1	1
5	10040034	SNAP RING ØE 30	1	1
6	10030017	STEADY PIN 7X8X40	1	1
7	606012020	OUTER MOVEMENT SHAFT GTH500	1	-
	607012020	OUTER MOVEMENT SHAFT GTH540	-	1
8	10030015	STEADY PIN 7X8X30	1	1
9	12012223	BEARING 6206 2RS	2	2
10	16050120	BUSHING 30X35X16	2	2
11	600580035	IMPELLER CONNECTING PIVOT PIN	1	1
12	13010040	COTTER PIN R4	1	1
13	10050022	SPRING COTTER 5X36	1	1
14	50616117	CONICAL PIGNON Z=17	1	1
15	606603155	OUTER WING GTH 500 'USA' - WELDED	1	-
	607603030	OUTER WING GTH 540 'USA' - WELDED	-	1
16	10060074	HEX. HEAD SCREW TE 12X30	52	52
17	10080013	REINF. LOCKWASHER Ø12 RINF.	28	28
18	10010002	GREASE NIPPLE 10MA	1	1
19	40617640	OUTER GEAR BOX GT	1	1
20	10050067	DOUBLE SPRING COTTER 10X55	1	1
21	600008020	SHORT SHAFT GT230-540	1	1
22	12012227	BEARING 6207 2RS	1	1
23	10060325	HEX.SOCKET H.CAP.SCREW TCEI 12X30	4	4
24	40611134	CONICAL CROWN Z=34	1	1
25	60014810	DISC GT	1	1
26	40614510	CROWN HUB	1	1
27	12012027	BEARING 6007 2RS	1	1
28	10070012	SELF LOCKNUT - CONE 12MA	48	48
29	602061005	ARM GT500	24	-
	607061005	ARM GT540	-	24
30	10060081	HEX. HEAD SCREW TE 12X45	24	24
31	50606100	TINE HOLDER GT	24	24
32	13030315	TINE SPRING GT Ø 9,5	24	24

HYDRAULIC LIFT GT HYDRAULIC VERSION CE - U.S.A.

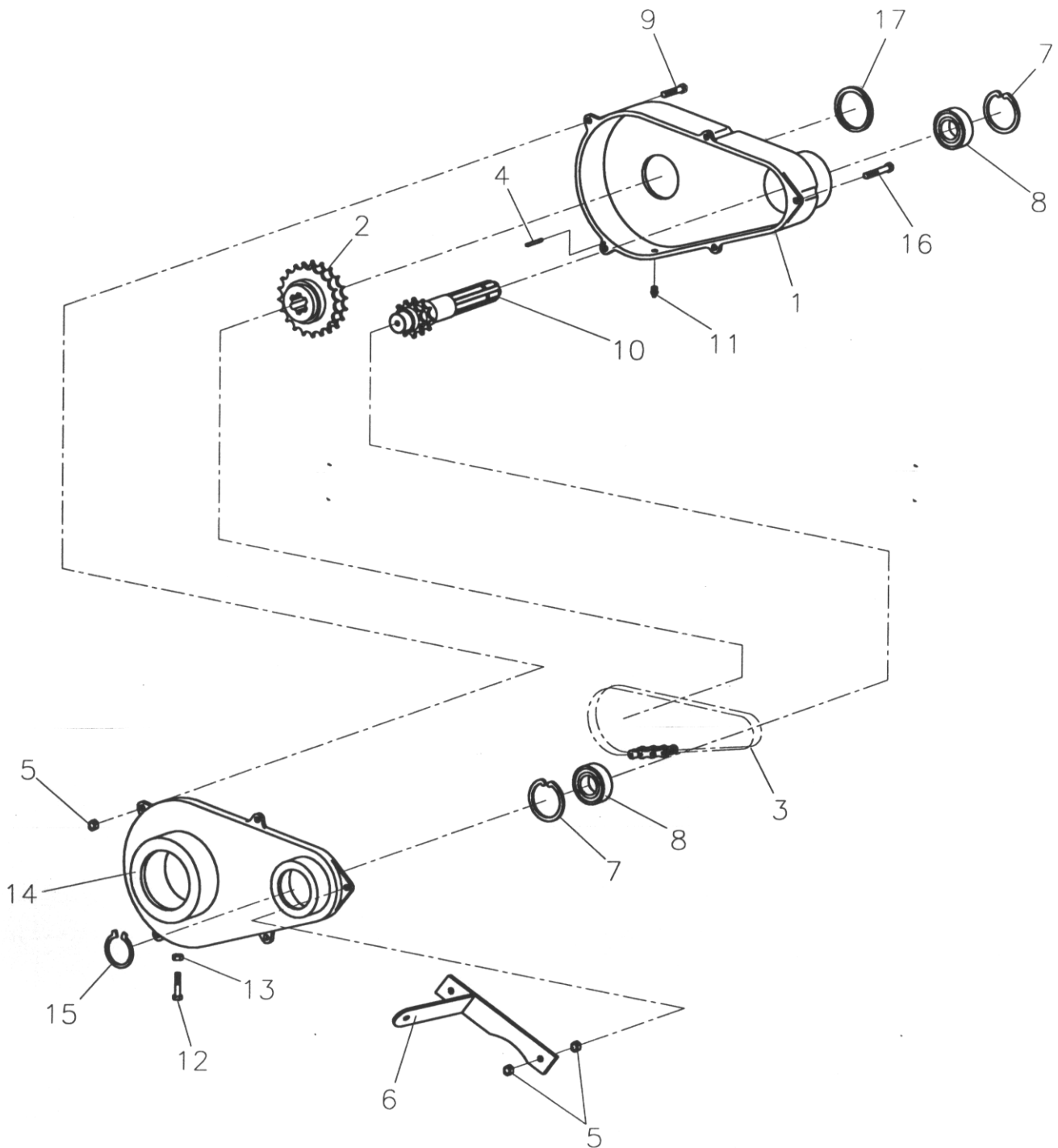


HYDRAULIC LIFT GT HYDRAULIC VERSION CE - U.S.A.

N#	CODE#	DESCRIPTION	CE 380-440	CE 500-540	USA 500-540
1	60011005	HYDRAULIC CYLINDER GT/FD	2	2	2
2	60039005	IMPELLER TRANSPORT LOCK GTH	2	2	2
3	60059125	ATTACHING PLATE WITH RING	1	1	1
4	60059115	ATTACHING PLATE WITHOUT RING	1	1	1
5	650580101	RELEASER CONNECTION PIN GALV.	2	2	2
6	60011010	GT/FD VALVE WITHOUT HOLE	2	2	2
7	600149150	CYLINDER SPACERS GT HYDRO	4	4	4
8	60479310	3/P REINFORCEMENT TUBE GTH 380	1	-	-
	60579310	3/P REINFORCEMENT TUBE GTH 440	1	-	-
	60679320	3/P REINFORCEMENT TUBE GTH 500	-	1	-
	60779325	3/P REINFORCEMENT TUBE GTH 540	-	1	-
9	10050034	SPRING COTTER 6X50	4	4	4
10	10070012	SELF LOCKNUT - CONE 12MA	4	4	4
11	10060081	HEX. HEAD SCREW TE 12X45	2	2	2
12	10060077	HEX. HEAD SCREW TE 12X35	2	2	2
13	16070300	SMALL CORD LENGHT. 6 MT	1	1	1
14	60437010	HOSE KIT + FITTINGS KIT GT 380-440	1	-	-
	60637010	HOSE KIT + FITTINGS KIT GT 500-540	-	1	1
15	60679315	REINFORCEMENT TUBE GTH 'USA' 500	-	-	1
	60779320	REINFORCEMENT TUBE GTH 'USA' 540	-	-	1
16	16070205	SHOCK ABSORBER 40X60	2	2	-
17	13030375	SPRING L=73 DIAM.15 WIRE 1,5	2	2	-



REDUCTION GEAR BOX



REDUCTION GEAR BOX

N#	CODE#	DESCRIPTION	Q.TY 500
1	40617690	REDUCTION BOX	1
2	60011705	OUTER DOUBLE CROWN Z=38	1
3	60002705	RING CHAIN	1
4	10050021	SPRING COTTER 5X35	1
5	10070006	SELF LOCKNUT - NYLON - 6 MA	5
6	60073905	BRACKET	1
7	10040060	SNAP RING ØI 62	1
8	12012027	BEARING 6007 2RS	2
9	10060031	HEX.HEAD SCREW TE 6X30	3
10	600600150	POWER TAKE-OFF REDUCER BOX	1
11	10010003	BEVEL OIL PLUG - WRENCH 13 - 3/8"	1
12	10060079	HEX. HEAD SCREW TE 12X40	1
13	10070312	HEXAGON NUT 12MA	1
14	40611100	REDUCTION BOX COPE	1
15	10040036	SNAP RING ØE 35	1
16	10060036	HEX.HEAD SCREW TE 6X50	2
17	12059016	O-RING 164	1
	600676010	COMPLETE REDUCTION GEAR BOX	1

NUMERICAL INDEX

PART N#	PAGE N#	REF N#	PART N#	PAGE N#	REF N#	PART N#	PAGE N#	REF N#
10010001	05	23	10050037	07	4	10060325	13	23
10010001	07	1	10050037	09	4	10060325	15	23
10010001	09	1	10050037	13	4	10060348	01	2
10010001	11	23	10050037	15	4	10070006	01	16
10010001	13	1	10050067	03	7	10070006	19	5
10010001	15	1	10050067	07	26	10070012	01	4
10010002	05	22	10050067	09	26	10070012	05	30
10010002	07	24	10050067	13	20	10070012	09	35
10010002	09	24	10050067	15	20	10070012	11	30
10010002	11	22	10050068	07	3	10070012	15	28
10010002	13	18	10050068	09	3	10070012	17	10
10010002	15	18	10050068	13	3	10070016	01	9
10010003	05	7	10050068	15	3	10070016	03	1
10010003	11	7	10060015	05	28	10070312	19	13
10010003	19	11	10060015	11	28	10080013	05	18
10010011	01	7	10060031	19	9	10080013	07	17
10030015	05	13	10060036	19	16	10080013	09	17
10030015	07	8	10060074	05	17	10080013	11	18
10030015	09	8	10060074	07	16	10080013	13	17
10030015	11	13	10060074	09	16	10080013	15	17
10030015	13	8	10060074	11	17	10080206	01	15
10030015	15	8	10060074	13	16	10080208	05	43
10030017	05	12	10060074	15	16	10080208	11	43
10030017	07	6	10060077	05	21	10080216	03	2
10030017	09	6	10060077	11	21	11010314	05	24
10030017	11	12	10060077	17	12	11010314	11	24
10030017	13	6	10060079	05	45	11010315	05	27
10030017	15	6	10060079	11	45	11010315	11	27
10040034	05	25	10060079	19	12	11010360	03	9
10040034	07	5	10060081	05	31	11010366	03	8
10040034	09	5	10060081	09	37	11010368	05	2
10040034	11	25	10060081	11	31	11010368	11	2
10040034	13	5	10060081	15	30	11050270	05	10
10040034	15	5	10060081	17	11	11050270	11	10
10040036	19	15	10060085	05	20	12012027	05	41
10040060	19	7	10060085	11	20	12012027	07	33
10040062	05	1	10060089	01	13	12012027	09	33
10040062	11	1	10060151	01	10	12012027	11	41
10050021	19	4	10060152	01	18	12012027	13	27
10050022	13	13	10060154	01	8	12012027	15	27
10050022	15	13	10060210	01	14	12012027	19	8
10050032	07	12	10060215	05	44	12012219	03	10
10050032	09	12	10060215	11	44	12012220	05	5
10050034	01	21	10060325	05	35	12012220	11	5
10050034	07	11	10060325	07	29	12012221	05	5
10050034	09	11	10060325	09	29	12012221	11	5
10050034	17	9	10060325	11	35	12012223	05	8

NUMERICAL INDEX

PART N#	PAGE N#	REF N#	PART N#	PAGE N#	REF N#	PART N#	PAGE N#	REF N#
12012223	07	9	16050120	13	10	60002705	19	3
12012223	09	9	16050120	15	10	60005805	01	6
12012223	11	8	16070205	17	16	60005921	01	17
12012223	13	9	16070300	17	13	60009905	07	22
12012223	15	9	16071150	01	3	60009905	09	22
12012226	05	3	40611100	19	14	60011005	17	1
12012226	11	3	40611134	05	36	60011010	17	6
12012227	05	3	40611134	07	30	60011605	05	42
12012227	05	34	40611134	09	30	60011605	11	42
12012227	07	28	40611134	11	36	60011705	19	2
12012227	09	28	40611134	13	24	60014810	05	37
12012227	11	3	40611134	15	24	60014810	07	31
12012227	11	34	40614510	05	40	60014810	09	31
12012227	13	22	40614510	07	32	60014810	11	37
12012227	15	22	40614510	09	32	60014810	13	25
12053062	05	11	40614510	11	40	60014810	15	25
12053062	11	11	40614510	13	26	60014910	05	47
12059016	19	17	40614510	15	26	60014910	11	38
13010030	01	12	40616155	05	15	60039005	17	2
13010040	13	12	40616155	11	15	60058015	05	26
13010040	15	12	40616160	05	15	60058015	11	26
13030315	09	39	40616160	11	15	60058025	07	15
13030315	15	32	40617610	05	16	60058025	09	15
13030351	07	21	40617610	11	16	60059115	17	4
13030351	09	21	40617640	07	25	60059125	17	3
13030375	17	17	40617640	09	25	60073905	19	6
13030380	07	20	40617640	13	19	60077635	01	1
13030380	09	20	40617640	15	19	60077640	01	1
14014905	03	12	40617680	05	19	60437010	17	14
14014910	03	12	40617680	11	19	60479310	17	8
14030350	03		40617690	19	1	60579310	17	8
14030352	03	11	40617861	05	29	60637010	17	14
14030354	03	5	40617861	11	29	60679310	05	46
14030355	03	3	50606100	09	38	60679315	17	15
14030356	03	4	50606100	15	31	60679320	17	
14071560	03		50611023	05	9	60779305	05	46
14071561	04		50611023	11	9	60779320	17	15
14071562	03	11	50616020	05	33	60779325	17	
14071563	04	11	50616020	11	33	600008020	07	27
14071565	04	3	50616116	05	6	600008020	09	27
14071566	03	4	50616116	11	6	600008020	13	21
15500525	07	2	50616117	05	32	600008020	15	21
15500525	09	2	50616117	07	23	600048050	01	20
15500525	13	2	50616117	09	23	600099010	07	18
15500525	15	2	50616117	11	32	600099015	09	18
16050120	07	10	50616117	13	14	600149150	17	7
16050120	09	10	50616117	15	14	600246016	03	6



NUMERICAL INDEX

PART N#	PAGE N#	REF N#	PART N#	PAGE N#	REF N#	PART N#	PAGE N#	REF N#
600246026	03	6						
600434050	01	19						
600580035	13	11						
600580035	15	11						
600600110	05	4						
600600110	11	4						
600600150	19	10						
600676010	19							
600869130	01	5						
602061005	09	36						
602061005	15	29						
606004020	05	14						
606004020	11	14						
606012020	07	7						
606012020	09	7						
606012020	13	7						
606012020	15	7						
606603075	07	34						
606603080	09	34						
606603155	13	15						
606603155	15	15						
607004020	05	14						
607004020	11	14						
607012020	07	7						
607012020	09	7						
607012020	13	7						
607012020	15	7						
607061005	09	36						
607061005	15	29						
607603030	13	15						
607603030	15	15						
607603035	07	34						
607603040	09	34						
620595100	01	11						
650580101	17	5						



tonutti®

NOTES

A large rectangular area containing 25 horizontal lines, intended for writing notes.



tonutti®

NOTES

A large rectangular area containing 25 horizontal lines, intended for writing notes.



tonutti®

NOTES

A large rectangular area containing 25 horizontal lines, intended for writing notes.

TONUTTI reserves the right to make changes or add improvements at any time without notice.
The information contained herein is general in nature and is not intended for specific application purposes.

