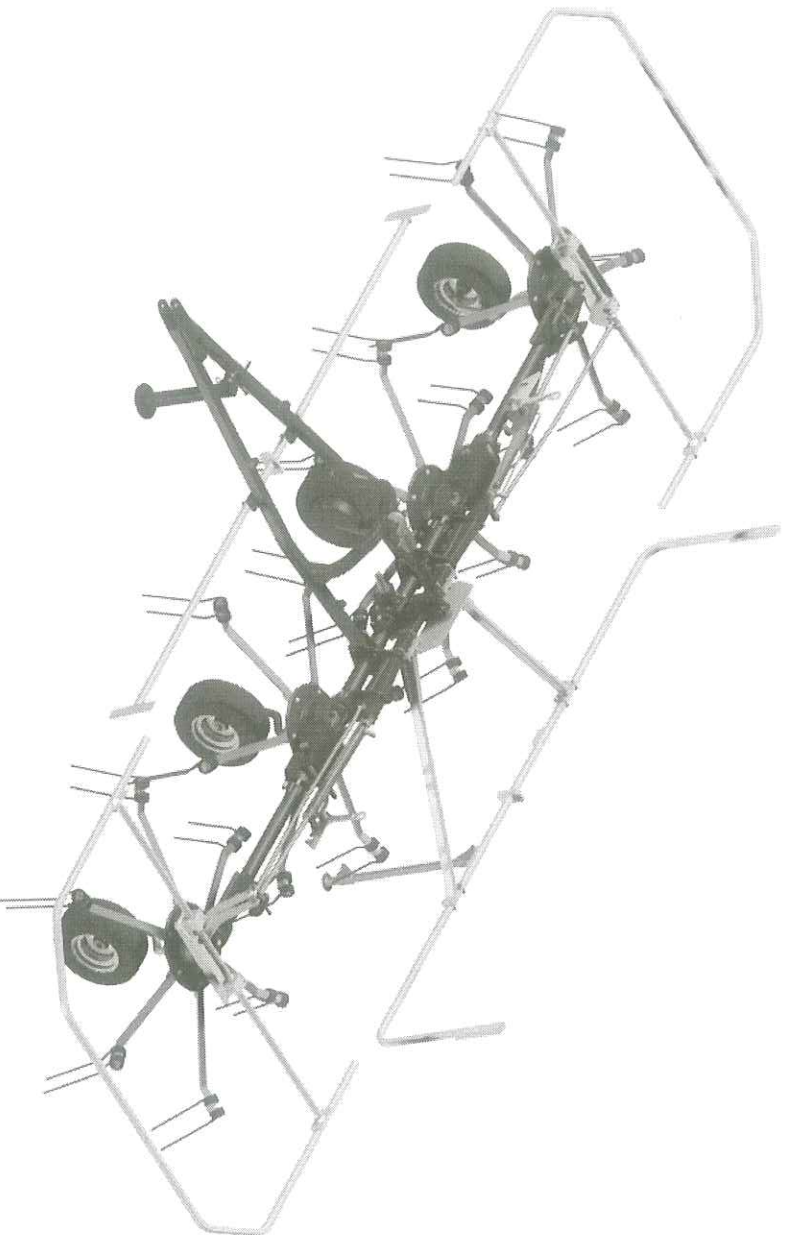


Important: carefully read the user and maintenance instructions contained in this manual before carrying out any type of intervention (Machine Directive 98/37CE).

# 64U-JOINT 19"



## Assembly instructions

rev 0 - 11/08



### **Harmonised standards**

The Hay tedders, model GA U-JOINT 19" have been projected in compliance with the standards described in the Machine Directive 98/37CE and in particular, they satisfy the following Harmonised standards:

- EN 292-1: Safety of the machinery - Fundamental concepts, general design principles - Part 1: Essential vocabulary and methodology (1991)
- EN 292-2: Safety of the machinery - Fundamental concepts, general design principles - Part 2: Technical specifications and principles (1991)
- EN 292-2/A1: Safety of the machinery - Fundamental concepts, general design principles - Part 2/A1: Technical specifications and principles (1995)
- EN 982/92: Safety requirements- relative to systems and their components for hydraulic and pneumatic transmissions - Hydraulic

And others specified in more detail in the technical booklet.

All rights reserved. It is forbidden to reproduce any part of this manual, in any form, without explicit written authorisation by ENOROSI. This content of this manual can be modified only by the manufacture and without prior notice to the Customer.

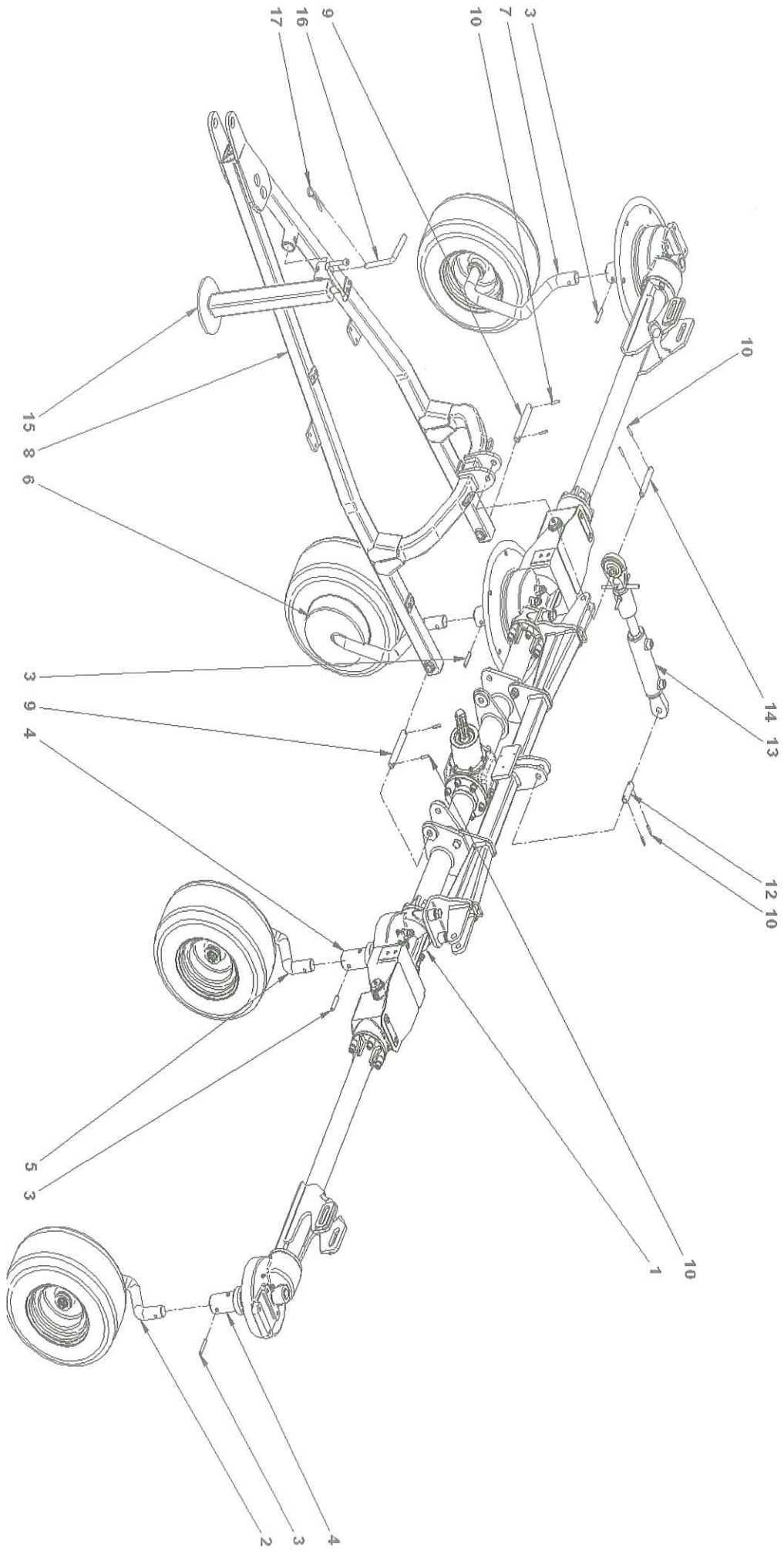
# Index

Assembly n° 01.....	4
Assembly n° 02.....	6
Assembly n° 03.....	10
Assembly n° 04.....	14
Assembly n° 05.....	16
Assembly n° 06.....	18
Assembly n° 07.....	20
Assembly n° 08.....	22
Assembly n° 09.....	24
Assembly n° 10.....	26

## Assembly n°1

- (1) Mount the wheel axle, with fender left side (POS N°5), to the bush (POS N°4) situated on the central frame (POS N°1);
- (2) Lock the coupling with an elastic pin  $\varnothing=10x55\text{mm}$  (POS.N°3);
- (3) Mount the wheel axle, with fender right side (POS N°6), to the bush (POS N°3) situated on the central frame (POS N°1);
- (4) Lock the coupling with an elastic pin  $\varnothing=10x55\text{mm}$  (POS.N°3);
- (5) Repeat the operations mentioned in points 1-2-3-4 for the external wheel axles, POS. 02 and POS. 07;
- (6) Mount the drawbar (POS N°8) on the central frame (POS N°1) by inserting the two rotating pins  $\varnothing=20x141\text{mm}$  (POS. 9).  
Lock the coupling with N°4 elastic pins  $\varnothing=6x32\text{mm}$  (POS. 10);
- (7) Mount the hydraulic cylinder (POS N°13) on the central frame (POS N°1) by inserting the pin  $\varnothing=20x71\text{mm}$  (POS.12) in the bar located on the central frame (POS N°1), lock the coupling with N°2 elastic pins  $\varnothing=6x32\text{mm}$  (Pos. 10);
- (8) Position the free end of the cylinder on the drawbar (POS N°8), insert the pin  $\varnothing=19x108\text{mm}$  (POS N°14).  
Lock the coupling with N°2 elastic pins  $\varnothing=6x32\text{mm}$  (POS. N°10);
- (8.1) Mount the support foot (Pos. 15), by inserting the pin  $\varnothing 15x195$  (Pos. 16). Fix the pin with the split pin  $\varnothing 3x60$  (Pos. 17).

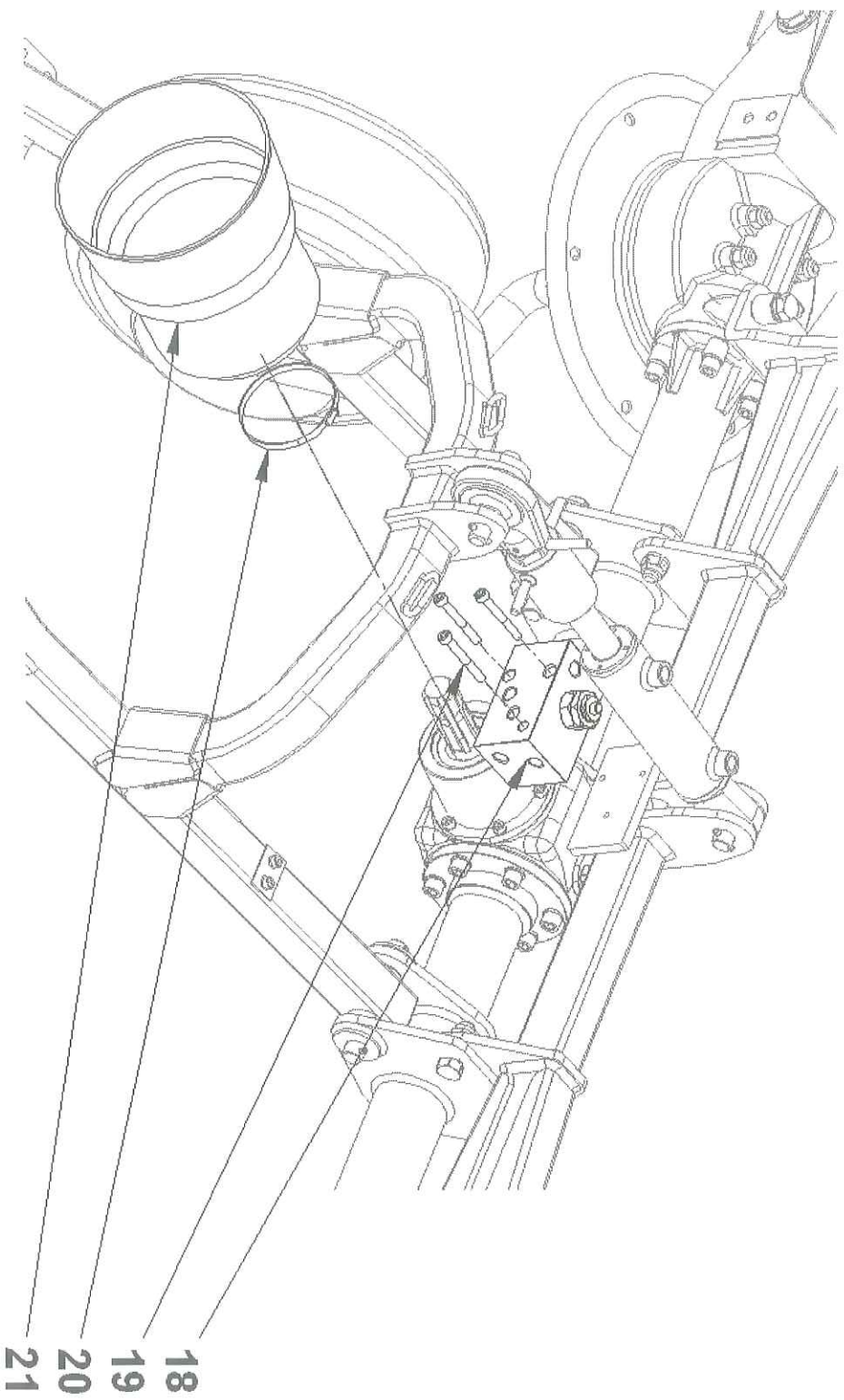
# Assembly n°1



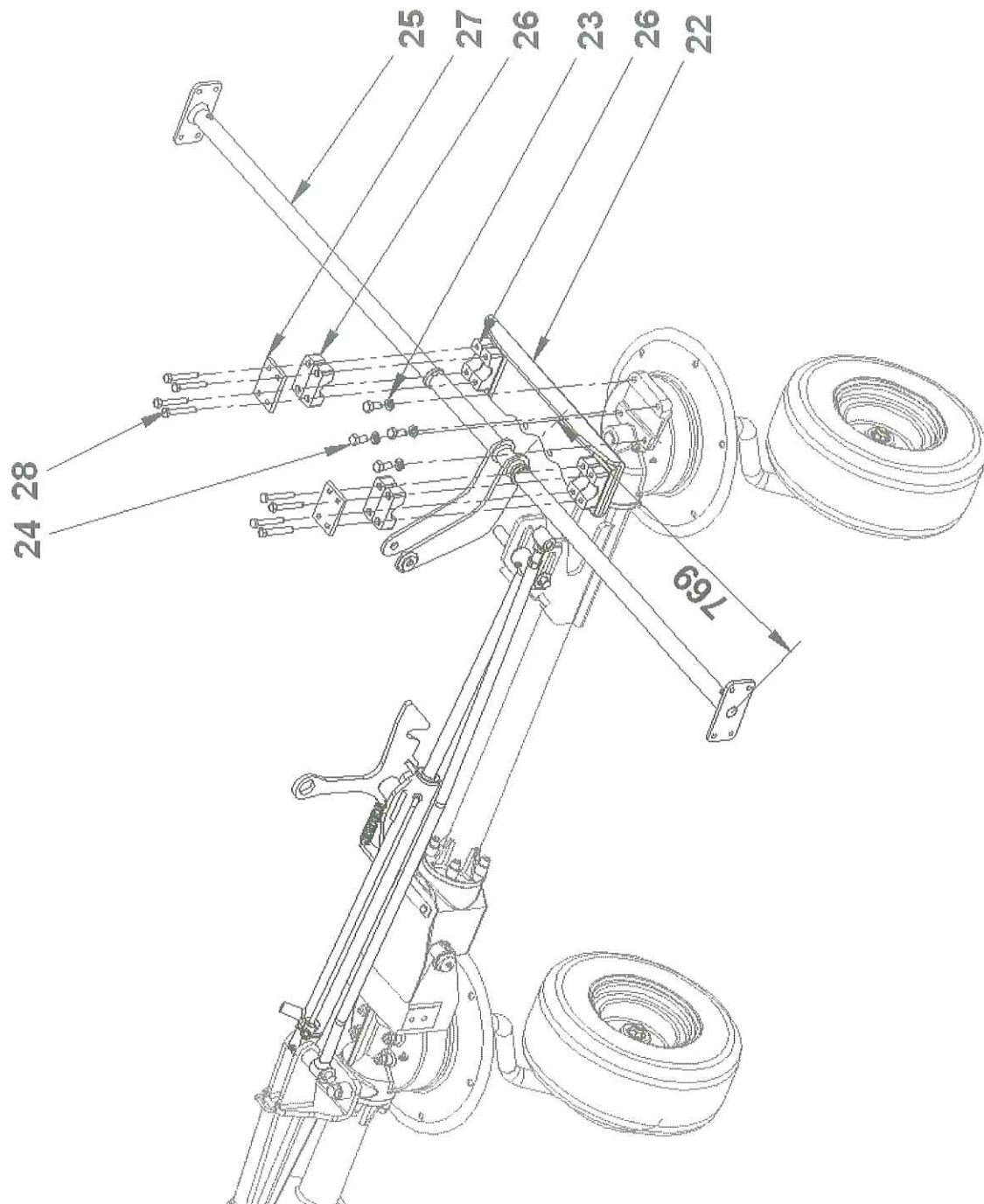
## Assembly n°02

- (9) Mount the oil pressure block (POS. N°18 assembly 02.1) to the central bar and tighten with N° 3 TCEI M8x65mm screws (Pos. 19 assembly 02.1);
- (10) Mount the elastic band (POS.N°20 assembly 02.1) to the guard (POS N°21 assembly 02.1) and tighten on the central frame;
- (11) Mount the support for the rotating arm (POS N°22 assembly 02.2), on the lateral arm. Mount N°4 flat washers  $\varnothing=24x13x2.5$ mm (POS.N°23 assembly 02.2), tighten the coupling with N°4 TE M12x25mm screws (POS.N°24 assembly 02.2);
- (12) Rest the collars (Pos. 26 assembly 02.2) on the two small plates already welded on the support for the rotating arm. Rest the rotating arm (POS.N°25 assembly 02.2) on the four collars (Pos. 26 assembly 02.2), respect the mounting direction (see quota 769 mm)
- (13) Tighten all using the four remaining collars (Pos. 26 assembly 02.2), the two non welded collar small plates (Pos. 27 assembly 02.2) and the four M10x70mm screws (POS.N°28 assembly 02.2);
- (14) Repeat the operations mentioned in points 11-12-13 to mount the unit of the right side;
- (15) Mount the hydraulic cylinder for lifting the lateral arms (POS.N°29 assembly 02.3) to the central bar. Insert the pin  $\varnothing=20x141$ mm (POS.N°30);
- (16) Insert the spacer  $\varnothing=30x30$ mm (POS.N°31 assembly 02.3) on the pin  $\varnothing=20x141$ mm (POS.N°30 assembly 02.3);
- (17) Mount the connecting rod (POS.N°32 assembly 02.3) on the pin  $\varnothing=20x141$ mm (POS.N°30 assembly 02.3), insert the flat washer  $\varnothing=37x21x3$ mm (POS.N°33 assembly 02.3) and tighten with N°2 elastic pins  $\varnothing=6x34$ mm (POS.N°34 assembly 02.3);
- (18) Insert the pin  $\varnothing=16x92$ mm (POS.N°36 assembly 02.3) on the free end of the connecting rod (POS. N°32 assembly 02.3) and on the rotating support mounted at point 14;
- (19) Lock with N°2 elastic pins  $\varnothing=5x32$ mm, (POS.N°37 assembly 02.3);
- (20) Insert the pin  $\varnothing=20x176$ mm (POS.N°35 assembly 02.3) on the free end of the hydraulic cylinder (POS. 29 assembly 02.3) and in the two axis of the lateral arms;
- (21) Insert N°2 flat washers  $\varnothing=37x21x3$ mm (Pos. 33 assembly 02.3), on the pin  $\varnothing=20x176$ mm (POS.N°35 assembly 02.3) and tighten with N° 2 elastic pins  $\varnothing=6x32$ mm (POS.N°34 assembly 02.3).

# Assembly n°02.1

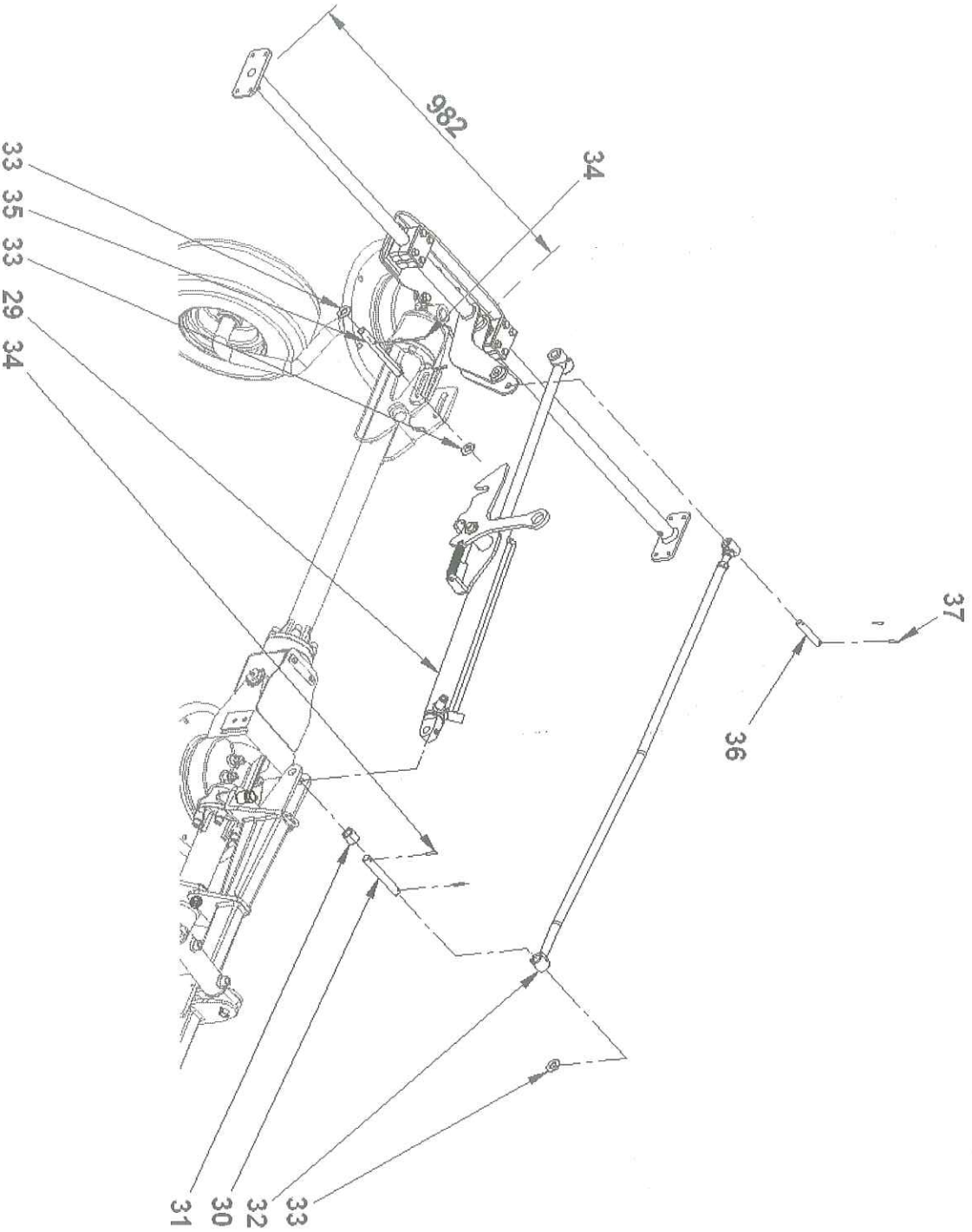


# Assembly n°02.2





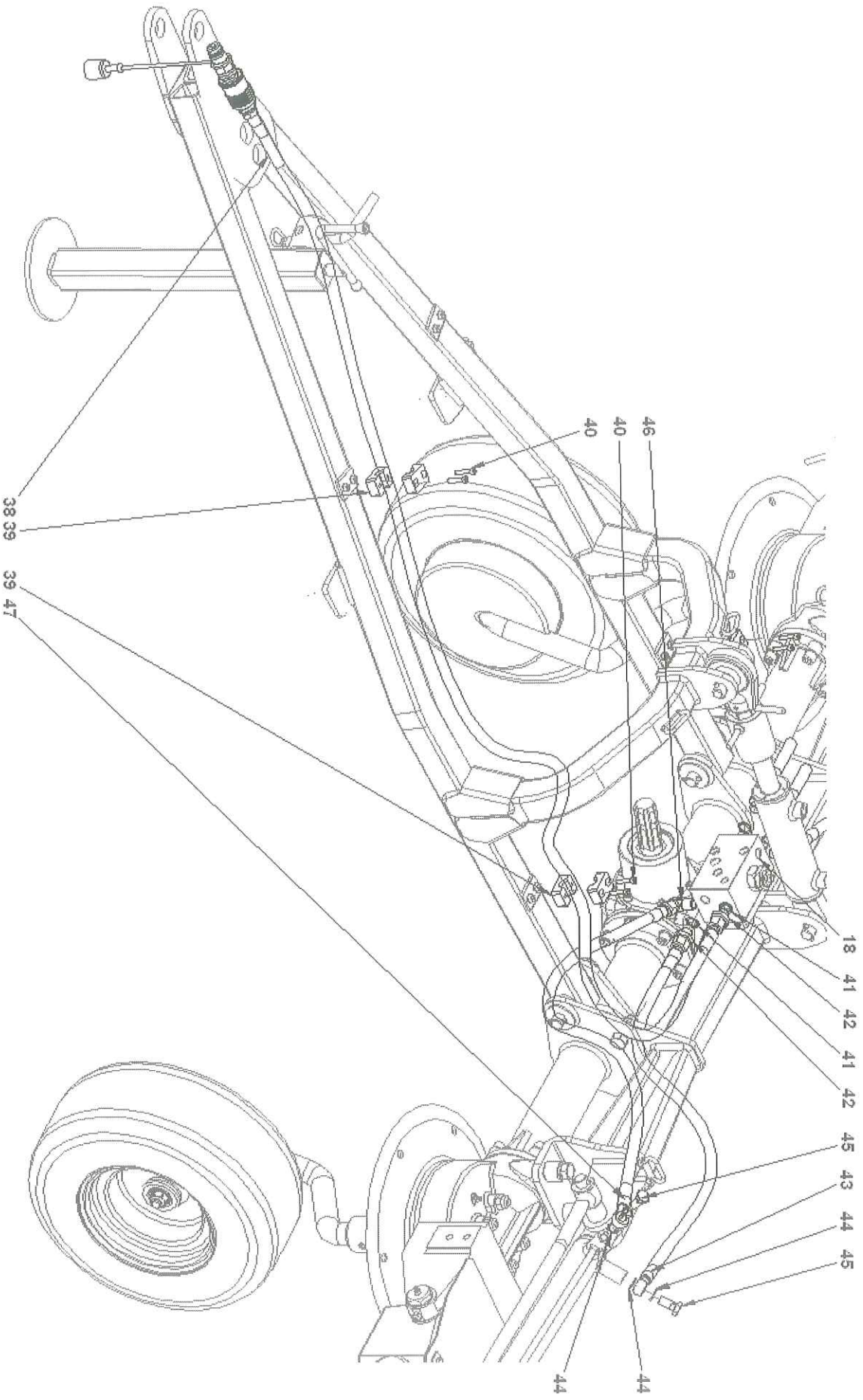
# Assembly n°02.3



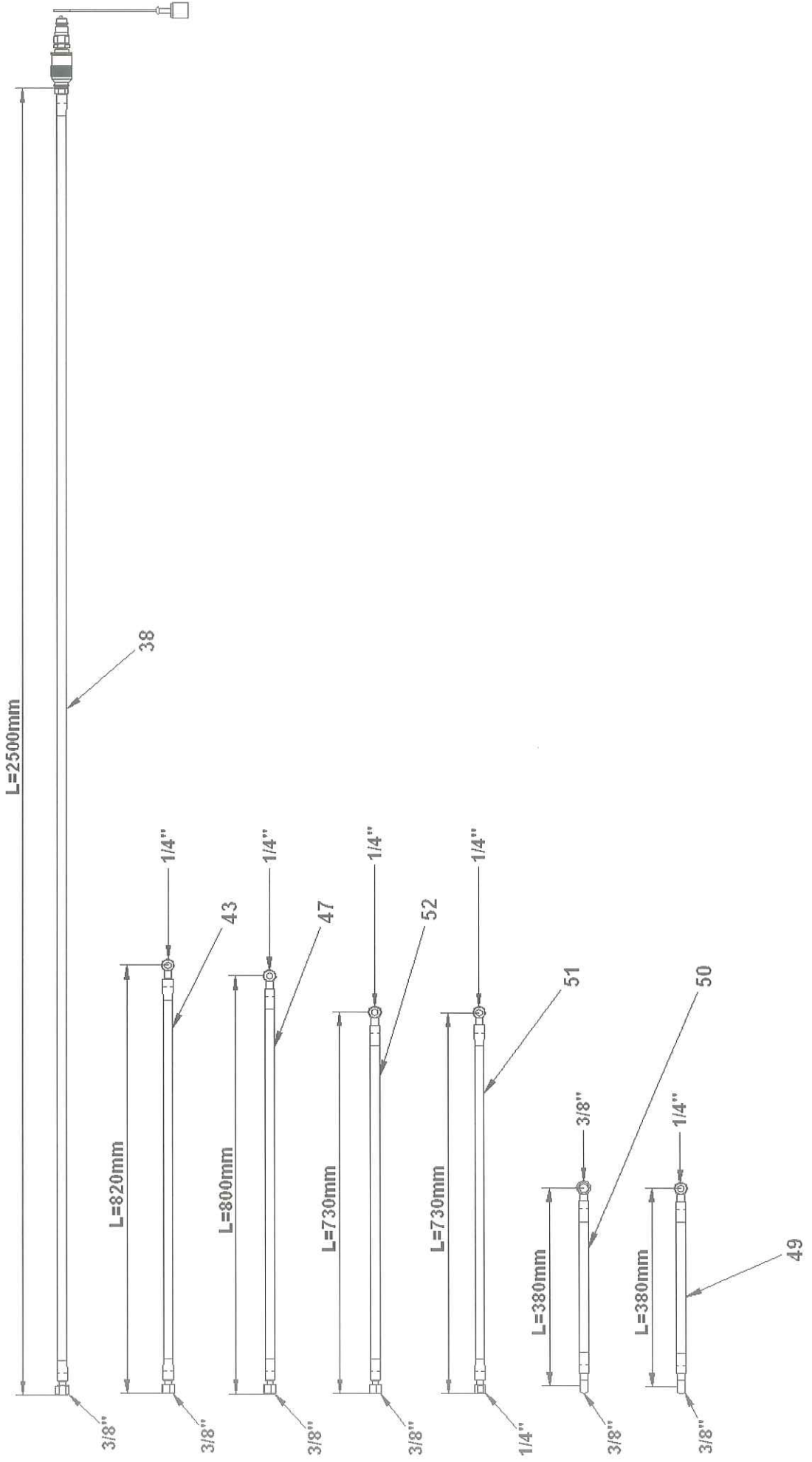
## Assembly n°03

- (22) Mount the pipe 5/16 Length=2500mm (POS.N°38 assembly 3.2) on the oil pressure block. Insert the copper 3/8" washer (Pos. 41 assembly 3.1) on the 3/8" GAS nipple and tighten;
- (23) Mount the two collars per pipe (POS.N°39 assembly 3.1) and tighten using TCEI M6x28mm screws (POS.N°40 assembly 3.1);
- (24) Mount the end of the hydraulic pipe with the pipe's 1/4 Gas eye (Pos. 43 assembly 3.2) to the hydraulic cylinder delivery side. Insert N°2 copper washers, 1/4" (Pos. 44 assembly 3.1) and tighten the drilled head screw, 1/4" (POS.N°45 assembly 3.1). Mount the end of the hydraulic pipe with a rotating 3/8 Gas nut to the nipple (Pos. 42 assembly 3.1) of the oil pressure block (Pos. 18 assembly 3.1), by mounting the two copper Gas washers, 3/8 (Pos. 41 assembly 3.1);
- (25) Mount the oil pressure block's (Pos. 18 assembly 3.1) 3/8 Gas fitting at 90° (Pos. 46 assembly 3.1) and tighten by adjusting it in the right direction.
- (26) Mount the 5/16 pipe, length 800 (Pos. 47 assembly 3.2), by positioning the end with 1/4 Gas eye to the oil pressure cylinder (rod side). Insert n° 02 copper washers, 1/4 (Pos. 44 assembly 3.1) and tighten the drilled head Gas screw, 1/4" (Pos. 45 assembly 3.1)

# Assembly n° 03.1



# Assembly n° 03.2

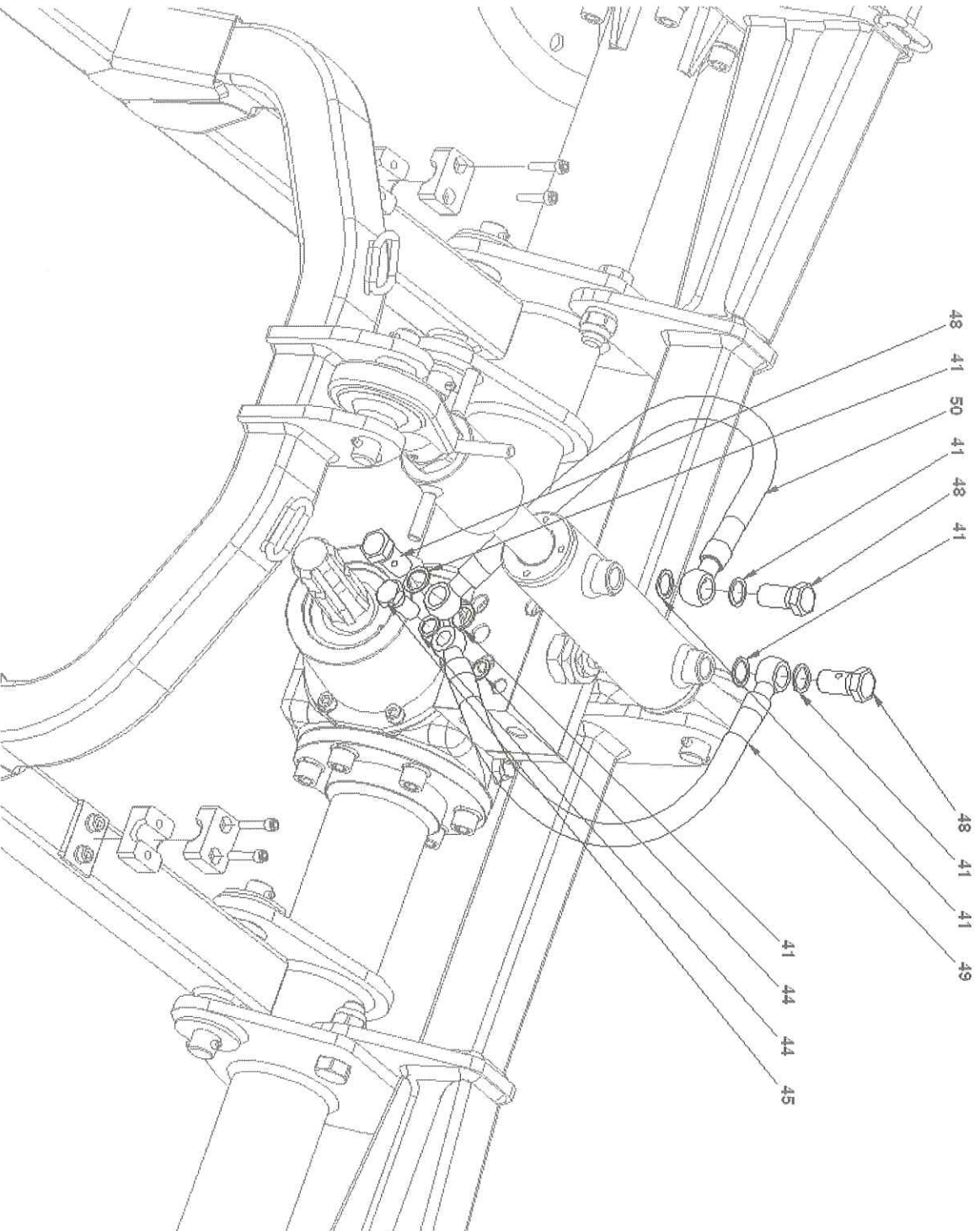




## Assembly n° 04

- (27) Mount the 5/16 pipe, Length=380mm (POS.N°50) on the oil pressure block. Insert N°2 copper washers, 3/8 "(POS N°41) and tighten the drilled head screw, 3/8" (POS.N°48) and mount the free end of the pipe to the hydraulic cylinder rod side. Insert N°2 copper washers, 3/8 "(POS N°41) and tighten the drilled head screw, 3/8" (POS.N°48);
- (28) Mount the pipe 5/16 Length=380mm (POS.N°49) on the oil pressure block. Insert N°2 copper washers, 1/4 "(POS N°44) and tighten the drilled head screw, 1/4" (POS.N°45) and mount the free end of the pipe to the hydraulic cylinder delivery side. Insert N°2 copper washers, 3/8 "(POS N°41) and tighten the drilled head screw, 3/8" (POS.N°48);

# Assembly n° 04

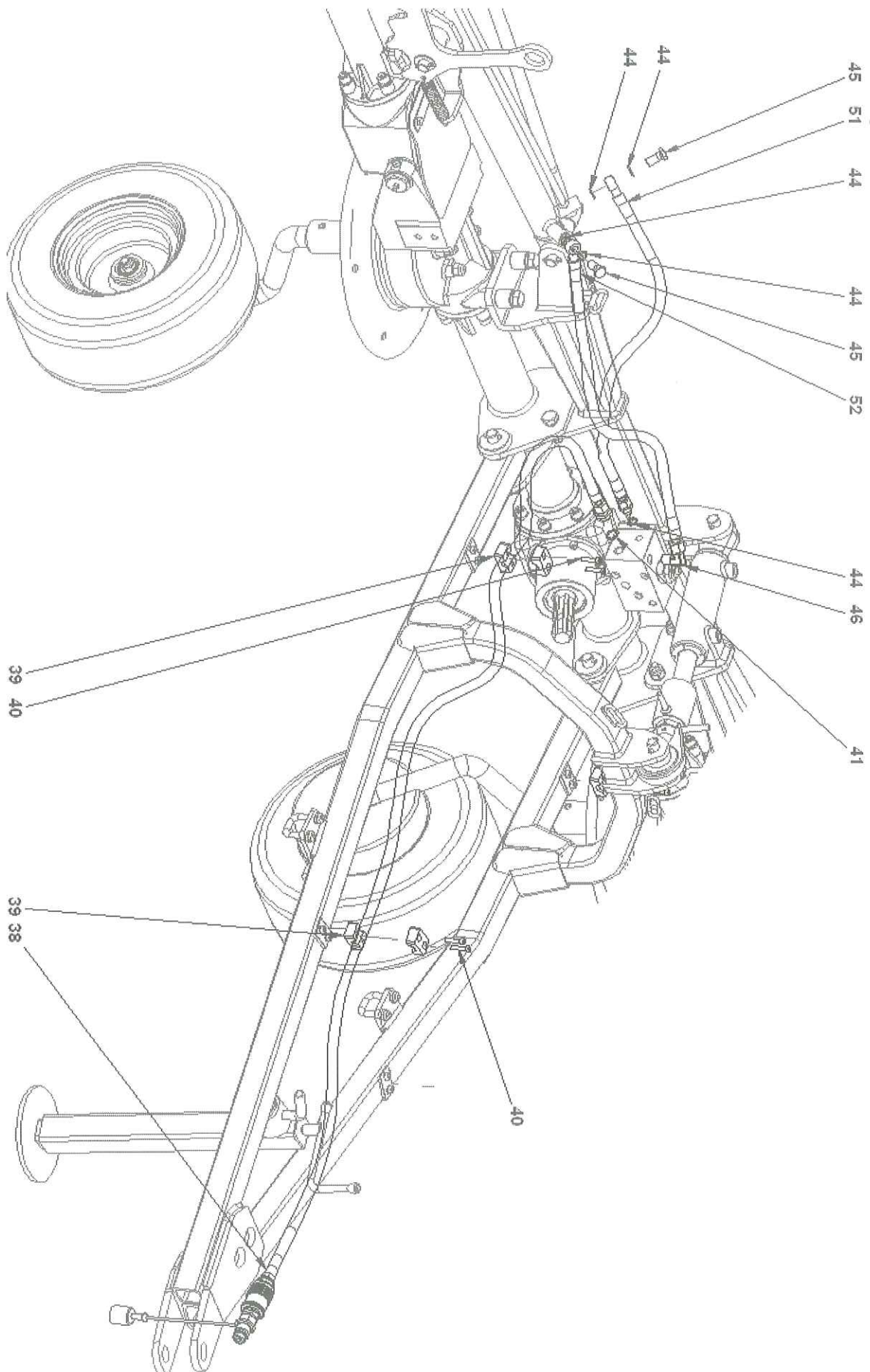


## Assembly n°05

- (29) Mount the 5/16 pipe, Length=2500mm (POS.N°38) to the oil pressure block by inserting the copper washer, 3/8 (Pos. 41), on the 3/8" GAS nipple and tighten;
- (30) Mount the two collars on each pipe (POS.N°39) and tighten using TCEI M6x28mm screws (POS.N°40);
- (31) Mount the 3/8 Gas fitting at 90° (Pos. 46) and tighten by adjusting it in the right direction.
- (32) Mount the 5/16 pipe, length 730 mm (Pos. 52), to the hydraulic cylinder (delivery side). Insert n° 02 copper washers, 1/4 (Pos. 44). Tighten the drilled head Gas screw, 1/4 (Pos. 45). Mount the end of the pipe (Pos. 52) with a rotating 3/8 Gas nut to the fitting at 90° (Pos. 46)
- (33) Mount the 5/16 pipe, Length=730mm (POS.N°51) on the oil pressure block. Insert the copper washer, 1/4"(POS.N°44) on the Gas nipple, 1/4" and tighten;
- (34) Mount the pipe's free end (POS.N°51) to the hydraulic cylinder. Insert N°2 copper washers, 1/4" (POS. N°44) and tighten the drilled head screw, 1/4" (POS.N°45);

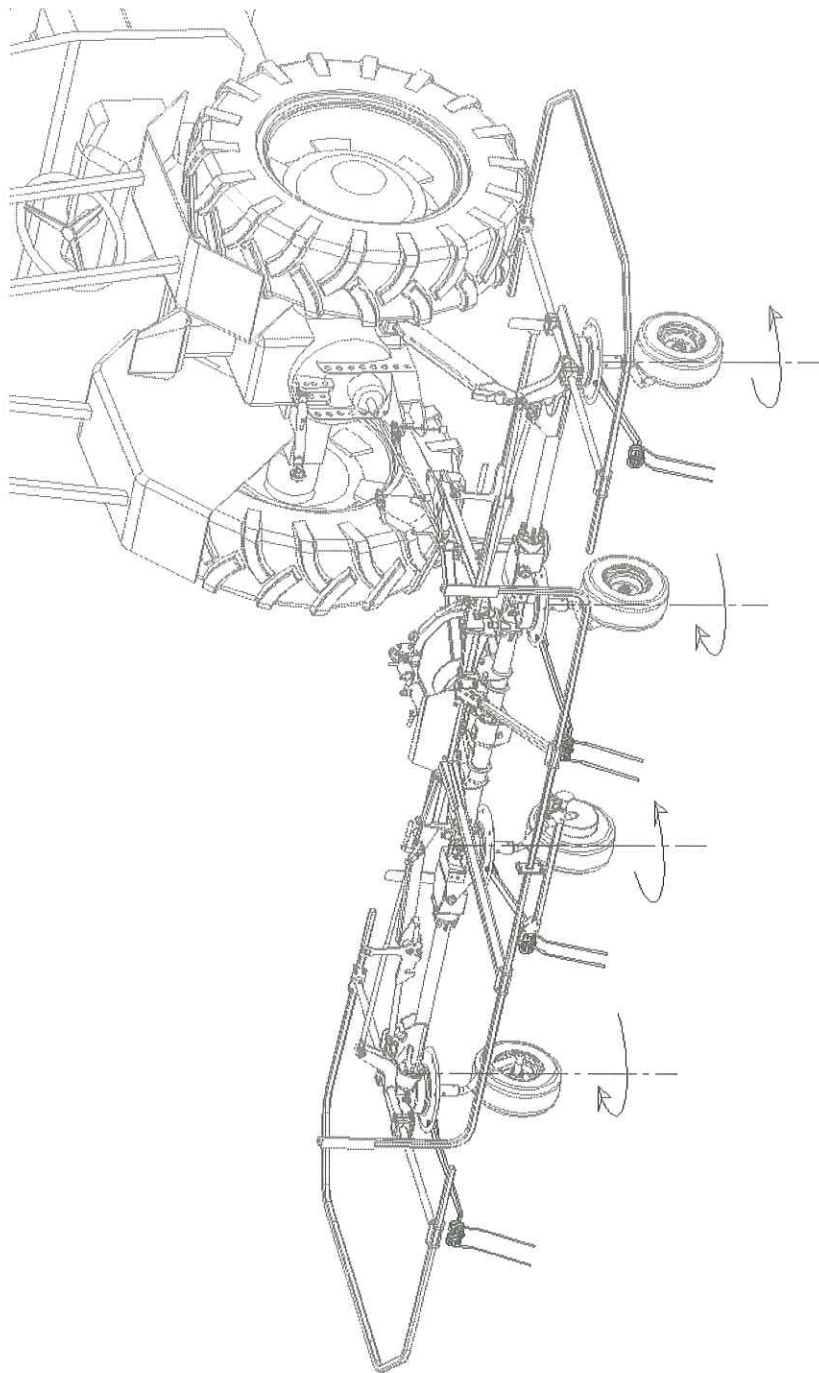


# Assembly n°05



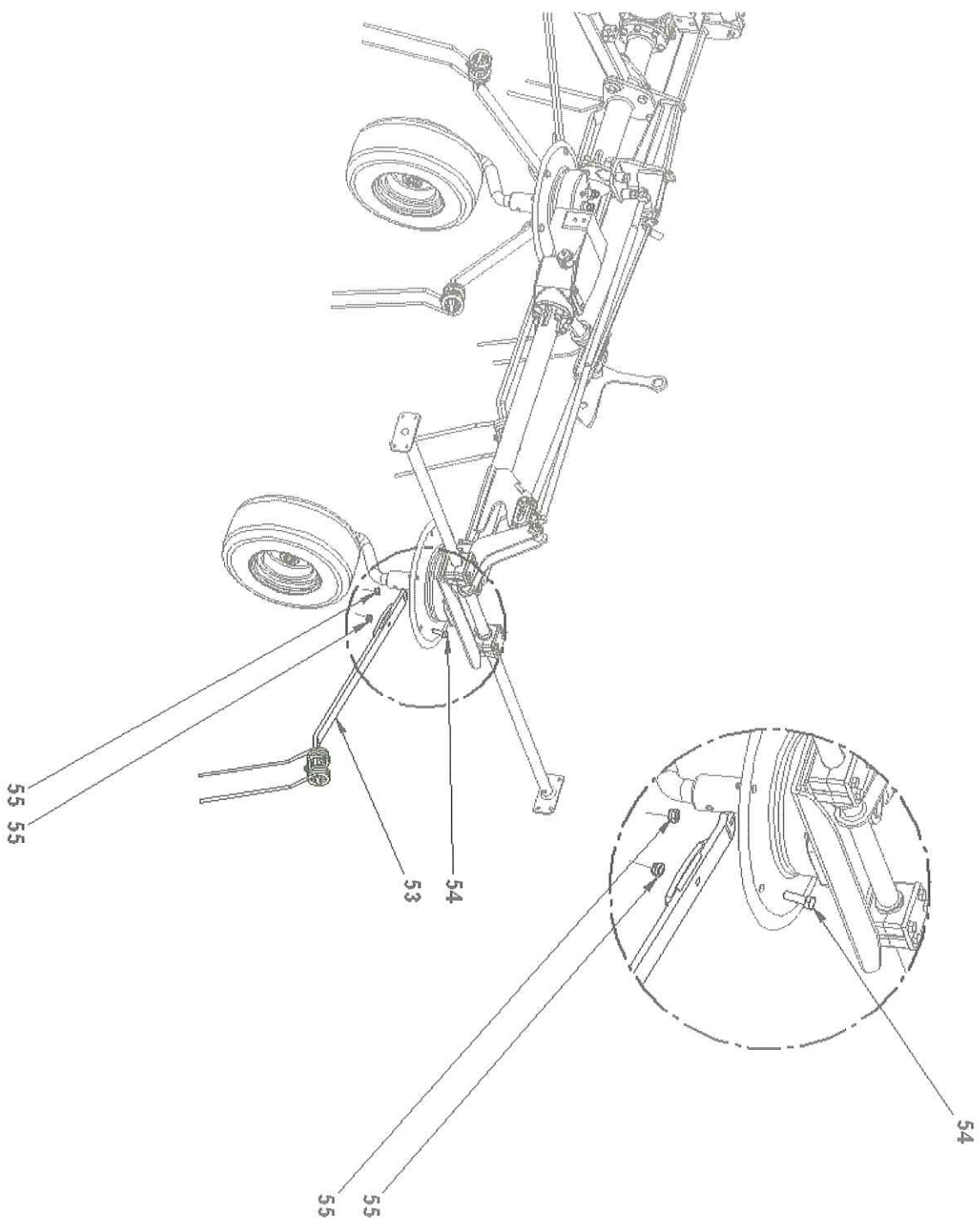
## Assembly n° 06

- (35) Mount the spring holder small arms (POS.N°53) to the four rotors.
- (36) Insert the M12x40mm screws (POS.N°54) and lock the coupling with the two self-locking M12 nuts (POS. N°55).



**Correct positioning of tines**

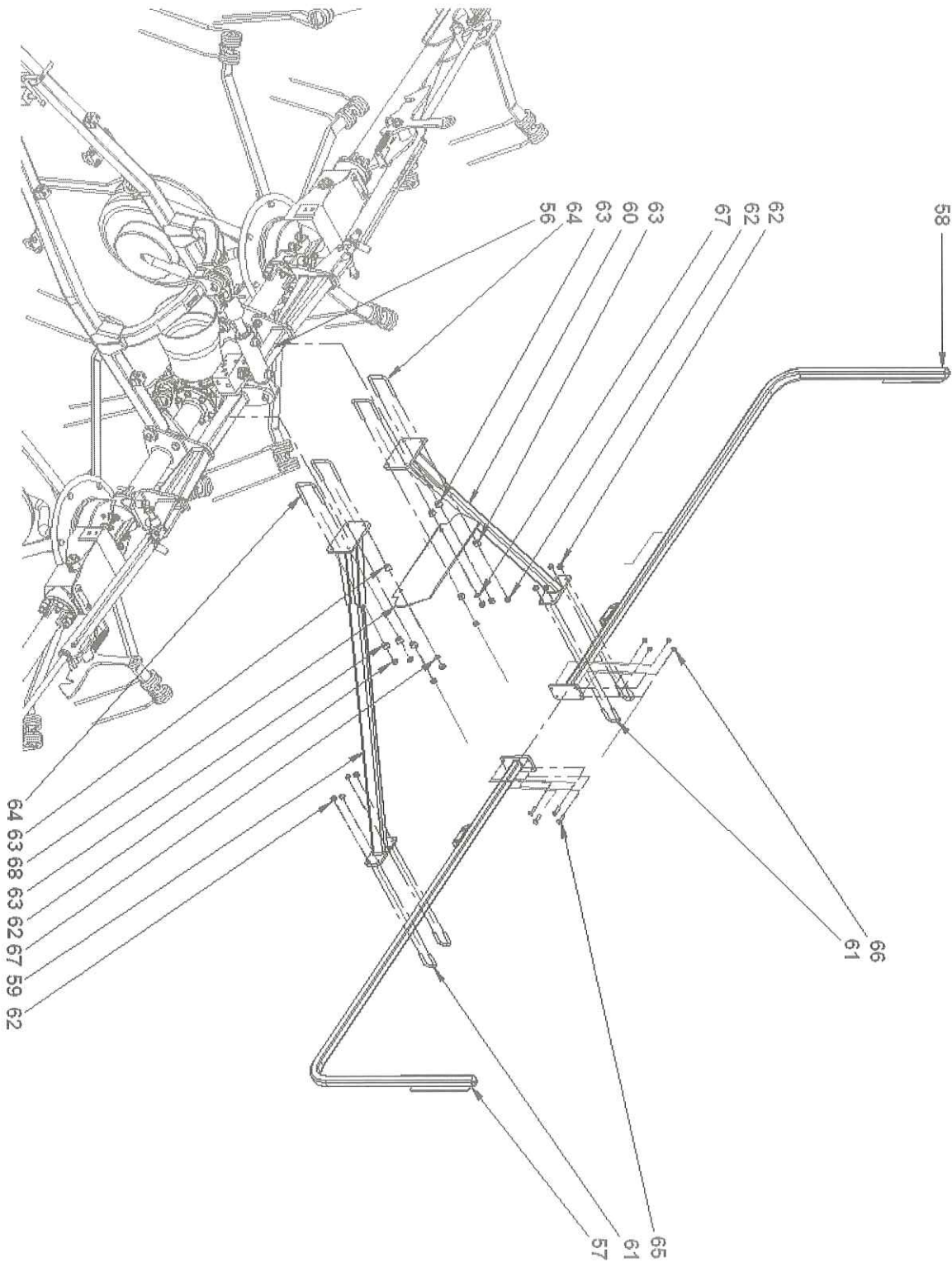
# Assembly n° 06



## Assembly n°07

- (37) Mount the upright left guard (POS.N°59) to the tow bar (POS.N°56). Insert the washer,  $\varnothing=22 \times 15$ mm thick (POS.N°63), in the 60x60x10mm U bolts (POS.N°64),
- (38) Mount the upright right guard (POS.N°60) to the tow bar (POS.N°56), insert the washer,  $\varnothing=22 \times 15$ mm thick (POS.N°63), in the 60x60x10mm U bolts (POS.N°64),
- (39) Mount the sump (POS. N° 68). Insert N°8 flat washers  $\varnothing=10.5 \times 21 \times 2$ mm (POS.N°67), tighten with N°8 self-locking M10 nuts (POS. N° 62);
- (40) Mount the left semi-guard (POS. N° 57) to the left upright (POS.N°59). Tighten the 30x30x10mm U bolts (POS.N°61) with N°4 self-locking M10 nuts (POS.N°62)
- (41) Repeat point 43 even for the right semi-guard (POS.58);
- (42) Fix the two semi-guards with N°4 M8x30mm screws (POS.N°65) and tighten with N°4 self-locking nuts (POS.N°66).

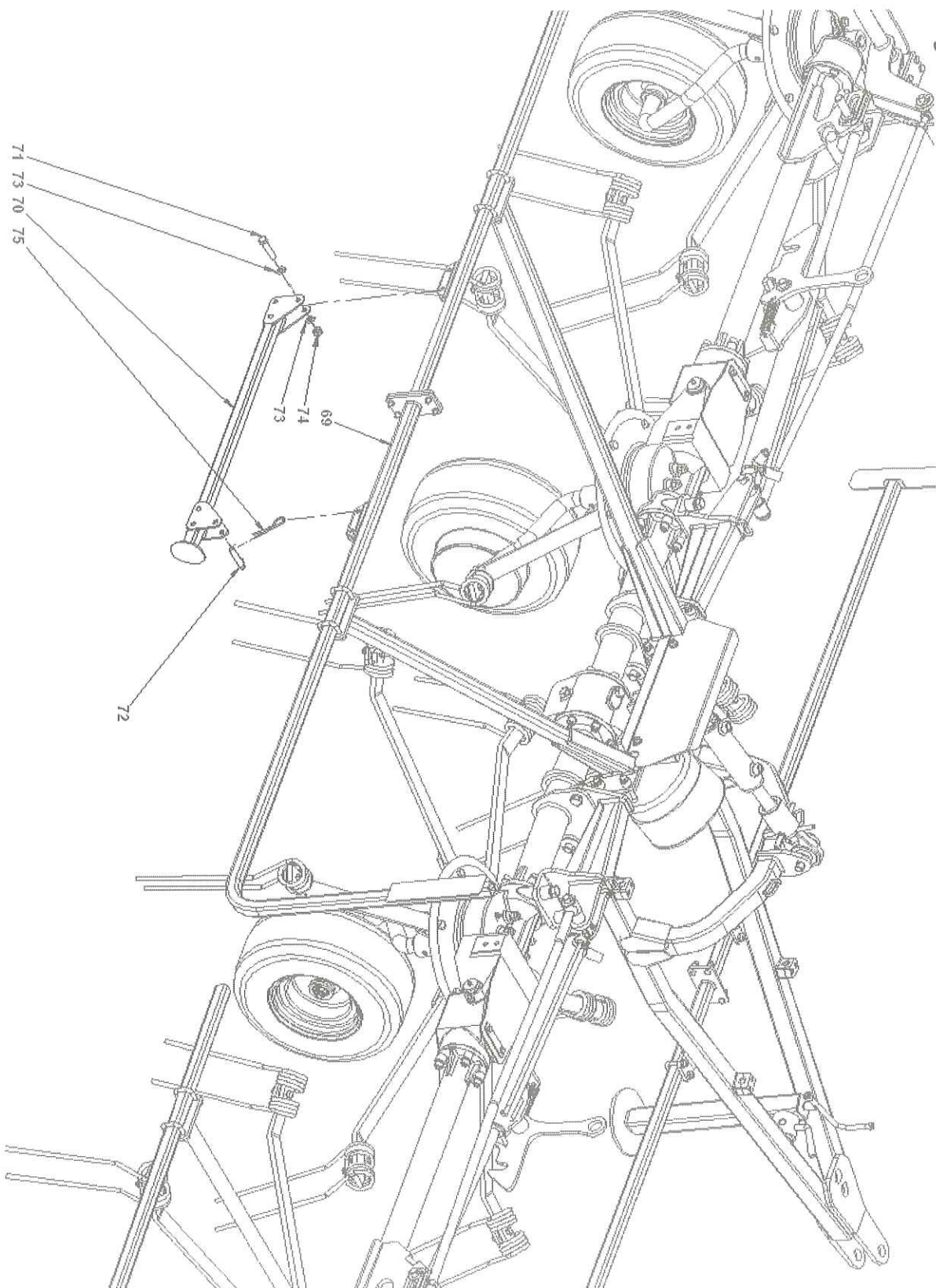
# Assembly n°07



## Assembly n°08

- (43) Mount the anti roll-over screw down jack (POS.N°70) to the rear guard (POS.N°69). Insert N°1 M12x60mm screw (POS.N°71) and N°2 flat washers  $\varnothing=24 \times 13 \times 2.5$ mm (POS.N°73). Tighten the coupling using N°1 self locking M12 nut (POS.N°74);
- (44) Fix the free end of the anti roll-over screw down jack to the rear guard by inserting the pin,  $\varnothing=12$ mm (POS.N°72) and lock using the galvanised spring cotter pin,  $\varnothing=3$ mm (POS.N°75).

# Assembly n°08

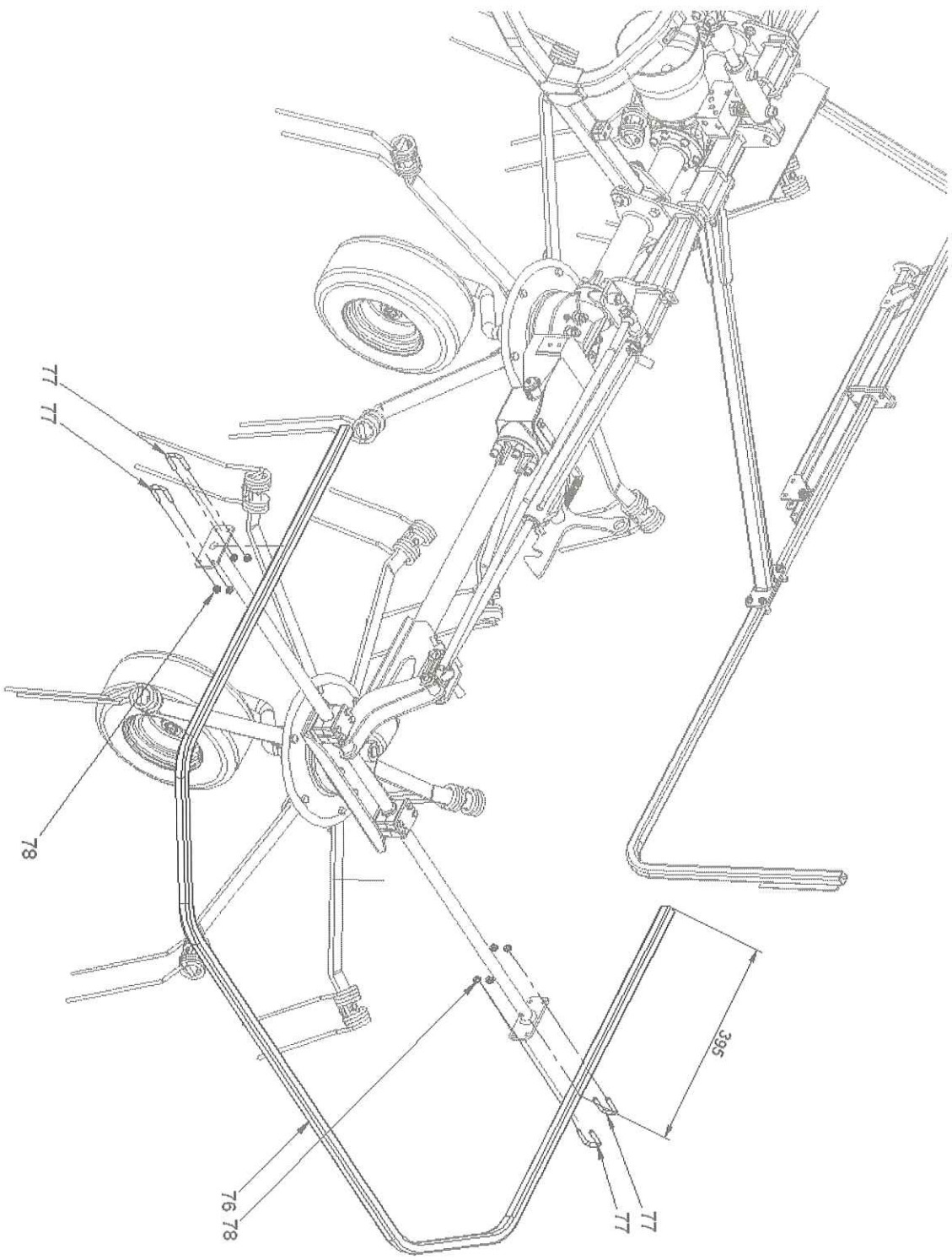


## Assembly n°09

- (45) Mount the lateral guard (POS.N°76) to the rotating arm previously mounted in point N°13. Fix the guard with N°4 U bolts,  $\varnothing=10 \times 30 \times 30 \text{mm}$  (POS.N°77);
- (46) Position the lateral guard (POS.N°76) at the quota indicated (395mm), calculated from the centre of the rotating arm to the end of the guard, therefore tighten with N°4 self-locking M10 nuts (POS.N°78);



# Assembly n°09



## Assembly n° 10

- (47) Mount the front two semi-guards (POS.N°79) fixing them with N°4 TE M8x30mm screws (POS.N°82) and tightening them with N°4 self-locking M8 nuts (POS.N°84) and relative washers (Pos. 80);
- (48) Fix the front guard to the drawbar with N°4 U bolts,  $\varnothing=10x30x30mm$  (POS.81), tighten the drawbar with N°4 self-locking nuts (POS.N°83).

# Assembly n° 10

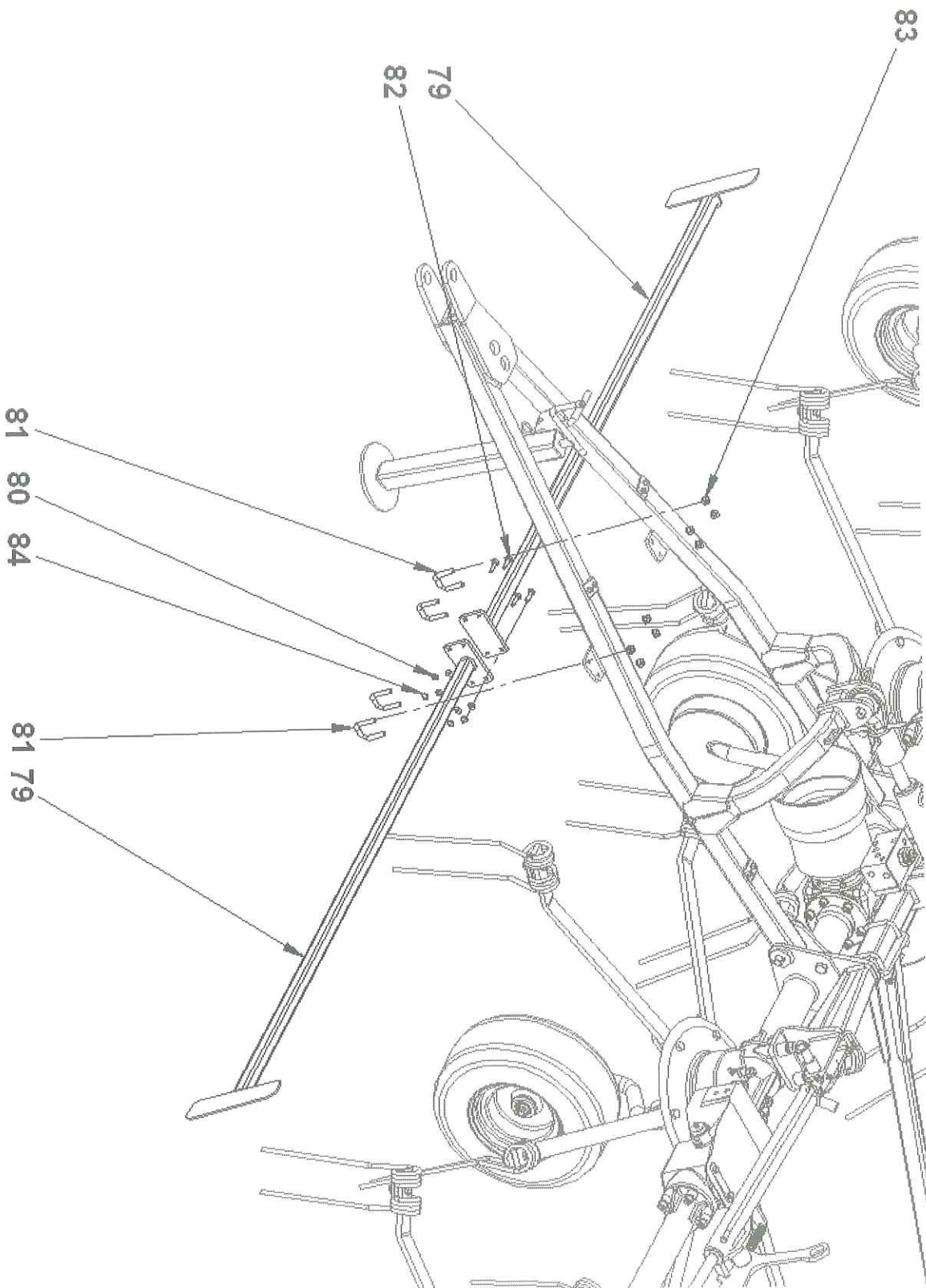






Table 1 cod. 19010526

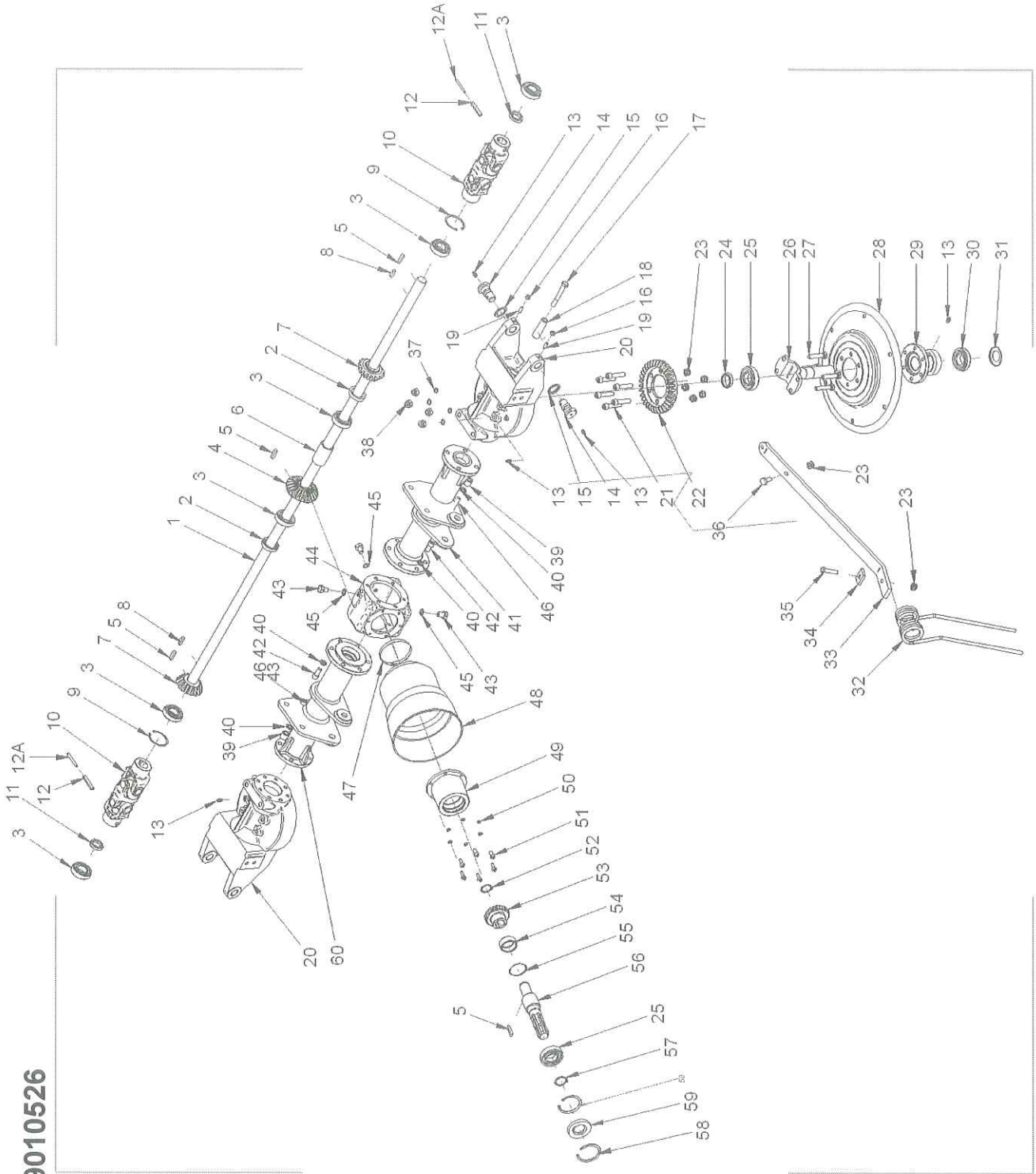


Table 1 cod. 19010526

POS.	CODICE	DENOMINAZIONE	DESCRIPTION
01	18032327	ALBERO CENTRALE	CENTRAL SHAFT
02	12260002	PARAOLIO 305510	OIL SEAL 30.55.10
03	12240108	CUSCINETTO 6206 2RS	BEARING 6206 2RS
04	8010304	CORONA CONICA Z23	RING BEVER GEAR Z23
05	3110002	LINGUETTA 8X7X36	KEY 8X7X36
06	12070330	DISTANZIARE	SPACER
07	8010303	PIGNONE Z17	PEVEL PIGNON Z17
08	3110008	LINGUETTA 8X7X30	KEY 8X7X30
09	3120108	ANELLO ELASTICO I62	SNAP RING I62
10	8020702	DOPPIO GIUNTO CARDANICO	DOUBLE CARDAN JOINT
11	12070331	DISTANZIARE	SPACER
12	3080141	SPINA ELASTICA 10X55	SPRING PIN 10X55
12A	3080142	SPINA ELASTICA 6X55	SPING PIN 6X55
13	3090101	INGRASSATORE M8X1	GREASER ZERK
14	12880536	PERNO SNODO	ARTICULATION PIN
15	3030189	RONDELLA NORD LOCK	LOCK WASHER
16	3020329	DADO ESAG.MEDIO M8	HEX NUT M8
17	3011214	VITE TE M12X100	SCREW TE M12X100
18		BOCCOLA DI BATTUTA	SPACER
19	3050107	GRANO M8X22	SCREW WITH CONE
20	18031167	COPERCHIO CENTRALE	CENTRAL COVER
21	3010605	VITE TCCEI M12X55	SCREW TCCEI M12X55
22	18031169	CORONA CONICA Z34	RING BEVEL GEAR Z34
23	3020202	DADO AUTOBL.BASSO M12	SELF LOCKING NUT M12
24	12070329	DISTANZIARE	SPACER
25	12240145	CUSCINETTO 6207 2RS	BEARINGT 6207 2RS
26	12590201	PERNO STAFFA	WHEEL SUPPORT BRACKET
27	3011644	VITE TE M12X60	SCREW TE M12X60

**Table 1 cod. 19010526**

POS.	CODICE	DENOMINAZIONE	DESCRIPTION
28	18031170	FLANGIA ATTACCO BRACCI	ARM LINK FLANGE
29	18031171	MANICOTTO ATTACCO INGRANAGGI	CROWN COUPLING
30	12240160	CUSCINETTO 32007	BEARING 32007
31	10011315	ANELLO DI TENUTA	OIL SEAL NILOS 32007
32	18030616	MOLLA	TINE
33	18032339	BRACCETTO G4 19"	SPRING HOLDER ARM
34	18030627	PLACCHETTA FERMA MOLLA	SPRING CLAMP
35	3011213	VITE TE M12X45	SCREW TE M12X45
36	3011241	VITE TE M12X30	SCREW TE M12X30
37	3030703	ROSETTA SCHNORR M12	SCHNORR WASHER M12
38	3020202	DADO AUTOBL.BASSO M12	SELF LOCKING NUT M12
39	18032428	DISTANZIALE	SPACER D.22 L.20
40	3030301	ROSETTA ELASTICA SPACCATA M12	GROWER M12
41	18032330	BRACCIO CENTRALE DX	RIGHT ARM CENTRAL
42	3010607	VITE TCCEI M12X25	SCREW TCCEI M12X25
43	3010232	VITE TE M14X20	SREW TE M14X20
44	18030623	SCATOLA CENTRALE	CENTRAL GEAR BOX
45	3030408	RONDELLA RAME M14	COPPER WASHER 14
46	3010601	VITE TCCEI M12X50	SCREW TCCEI M12X50
47	4010702	FASCETTA 80-100	CLAMP 80-100
48	9070101	CUFFIA DI PROTEZIONE	PROTECTION GUARD
49	18030657	MANICOTTO SCATOLA CENTRALE	CENTRAL GEAR BOX COUPLING
50	3030704	ROSETTA SCHNORR M8	SCHNORR WASHER M8
51	3010606	VITE TCCEI M8X20	SCREW TCCEI M8X20
52	3120101	ANELLO ELASTICO E30	SNAP RING E30
53	8010302	PIGNONE Z16	BEVEL PINION GEAR Z16
54	12070302	BOCCOLA A RULLINI HK4520	ROLLER BUSH HK4520
55	3120120	ANELLO ELASTICO BR 52	SPRING RING BR52



**Table 1 cod. 19010526**

<b>POS.</b>	<b>CODICE</b>	<b>DENOMINAZIONE</b>	<b>DESCRIPTION</b>
56	12320301	ALBERO PRESA DI FORZA	SHAFT FOR P.T.O.
57	3120102	ANELLO ELASTICO E35	SNAP RING E35
58	3120105	ANELLO ELASTICO I72	SNAP RING I72
59	12260003	PARAOLIO 35.72.10	OIL SEAL 35.72.10
60	18032331	BRACCIO CENTRALE SX	LEFT ARM CENTRAL

Table 2 cod. 19010527

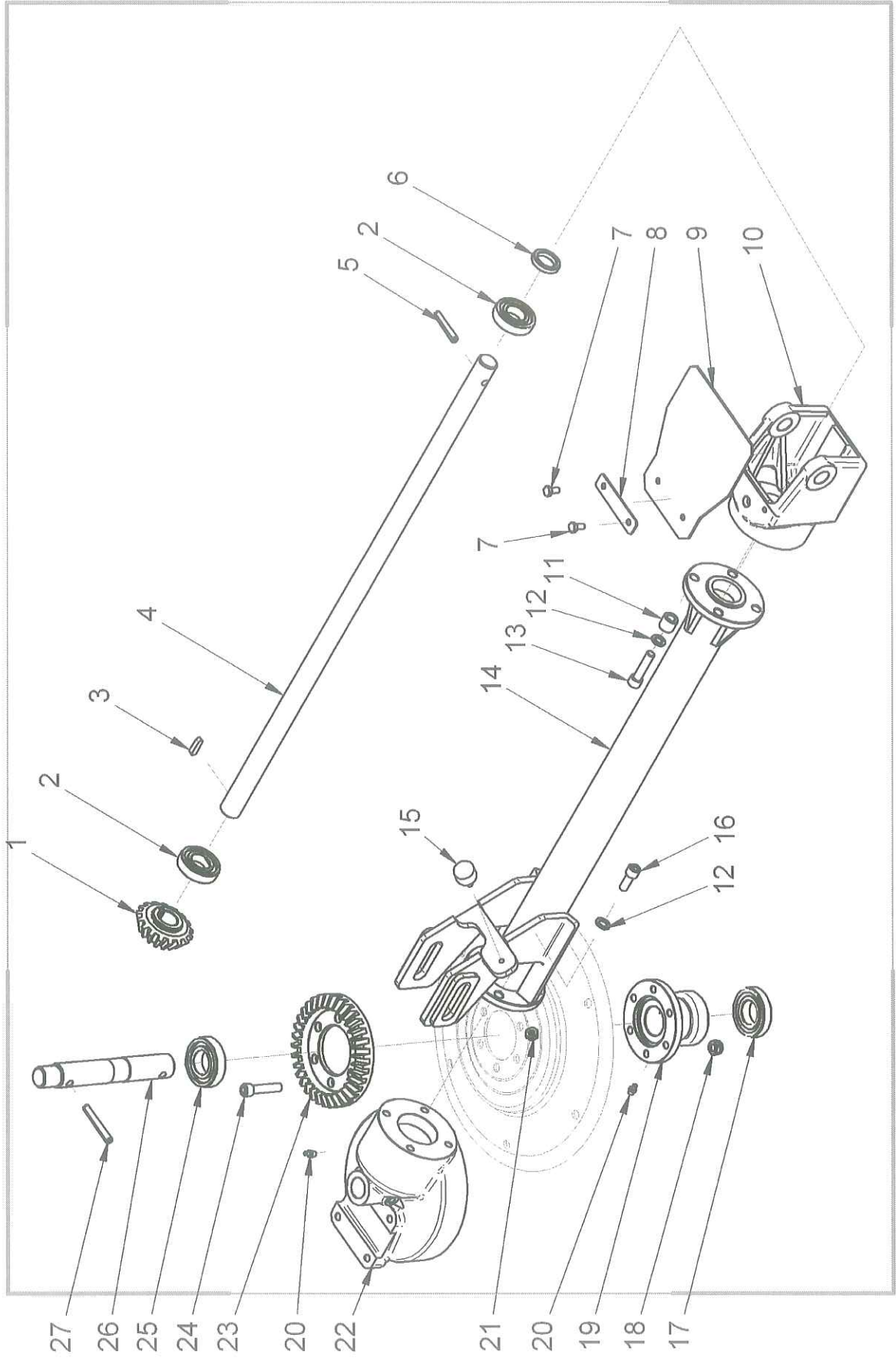


Table 2 cod. 19010527

POS.	CODICE	DENOMINAZIONE	DESCRIPTION
01	8010303	PIGNONE Z17	PEVEL PINION Z17
02	12240108	CUSCINETTO 6206 2RS	BEARING 6206 2RS
03	3110008	LINGUETTA 8X7X30	KEY 8X7X30
04	18032347	ALBERO LATERALE	LATERAL SHAFT
05	3080141	SPINA ELASTICA 10X55	SPRING PIN 10X55
05A	3080142	SPINA ELASTICA 6X55	SPRING PIN 6X55
06	12070331	DISTANZIERE	SPACER
07	3011211	VITE TE M8X16	SCREW TE M8X16
08	1011755	PIASTRA FISSAGGIO PARAPOLVERE	FASTENING PLATE
09	9170006	PARAPOLVERE	DUST SEAL
10	18031172	SNODO BRACCIO LATERALE	LATERAL HINGE ARM
11	18032428	DISTANZIERE	SPACER D.22 L.20
12	3030301	ROSETTA ELASTICA SPACCATA M12	GROWER WASHER M12
13	3010601	VITE TCCEI M12X50	SCREW TCCEI M12X50
14	18032329	BRACCIO CENTRALE G4 19"	LATERAL ARM
15	9060103	ANTIVIBRANTE	VIBRATION DAMPING
16	3010614	VITE TCCEI M12X30	SCREW TCCEI M12X30
17	12240160	CUSCINETTO RULLI CONICI 32007	BEARING 32007
18	3020202	DADO AUTOBL. BASSO M12	SELF LOCKING NUT M12
19	18031171	MANICOTTO ATTACCO INGRANAGGI	CROWN COUPLING
20	3090101	INGRASSATORE M8X1	GREASER
21	3020209	DADO AUTOBL. BASSO M8	SELF LOCKING NUT M8
22	18031174	COPERCHIO TERMINALE	TERMINAL COVER
23	18031169	CORONA CONICA PER ROTORE	RING BEVEL GEAR Z34
24	3010605	VITE TCCEI M12X55	SCREW TCCEI M12X55
25	12240145	CUSCINETTO 6207 2RS	BEARING 6207 2RS
26	12060901	PERNO TERMINALE	TERMINAL PIN
27	3080129	SPINA ELASTICA 10X70 DOPPIA SPIRA	SPRING PIN 10X70

Table 3 cod. 19010528

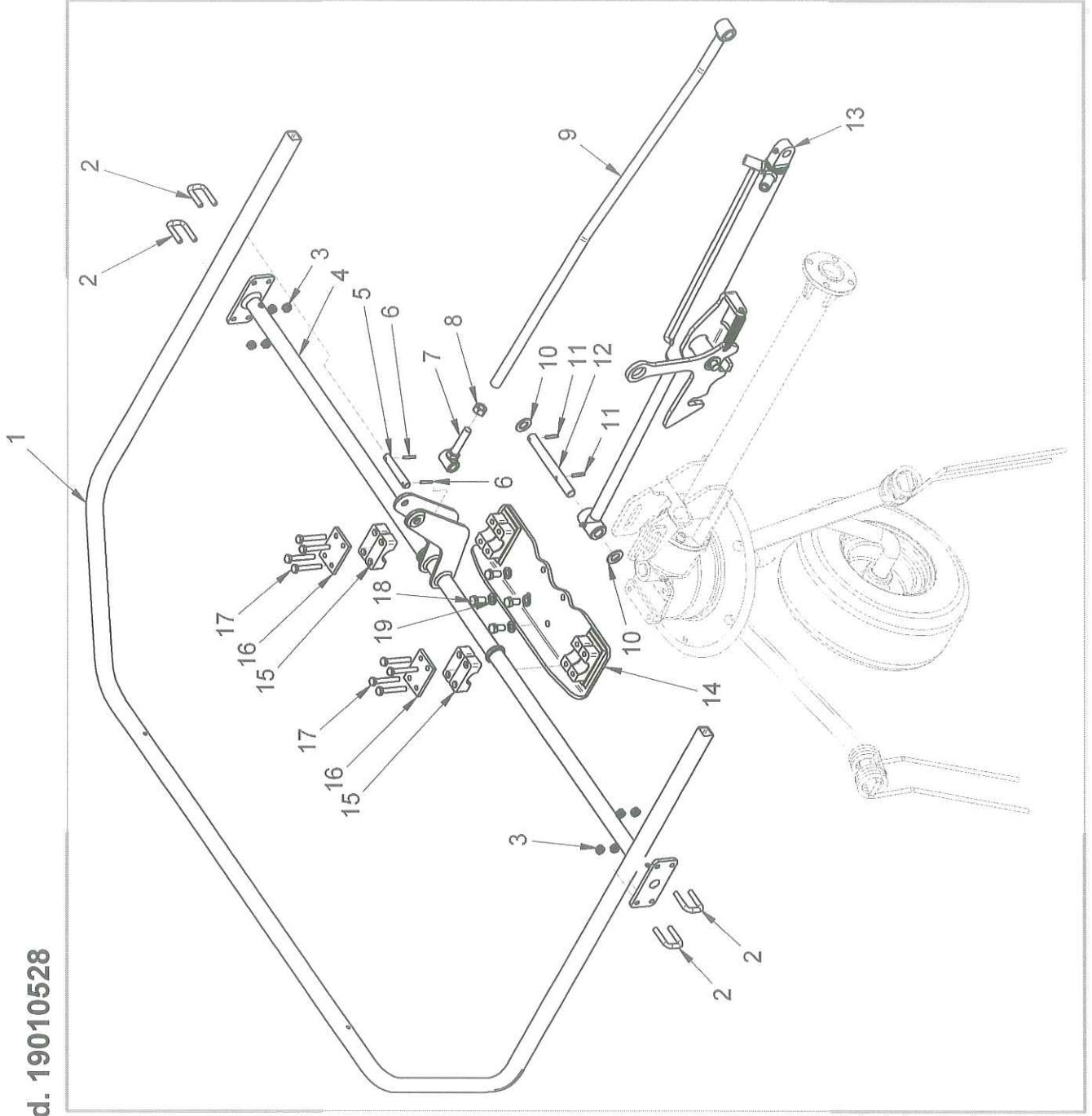


Table 3 cod. 19010528

<b>POS.</b>	<b>CODICE</b>	<b>DENOMINAZIONE</b>	<b>DESCRIPTION</b>
01	18032304	PROTEZIONE LATERALE	LATERAL PROTECTIO GUARD G4 19"
02	3170112	CAVALLOTTO QUADRO M10X30	COLLARE M10X30
03	3020201	DADO AUTOBL. BASSO M10	SELF LOCKING NUT M10
04	18032346	BARRA DI ROTAZIONE DX	ROTATING BAR RIGHT
05	18032345	PERNO DI TESTA BIELLA	PIN D.16 L.92
06	3080101	SPINA ELASTICA 5X32	SPRING PIN 5X32
07	18032354	TESTA DI BIELLA	
08	3020339	DADO ESAG. MEDIO M16	NUT 16MA
09	18032306	BIELLA DI REAZIONE	CONNECTING BAR G4 19"
10	3030134	ROSETTA PIANA M20	WASHER M20
11	3080109	SPINA ELASTICA 6X32	SPRING PIN 6X32
12	18032342	PERNO COLLEGAMENTO BRACCI LAT.	CONNECTING PIN LATERAL ARM D.20 L.162
13	18032305	CILINDRO IDRAULICO COMPLETO	HYDRAULIC CYLINDER G4 17-19"
14	18032303	FLANGIA ATTACCO PROTEZIONE LAT.	PROTECTION GUARD FLANGE
15	18032324	SUPPORTO DI ROTAZIONE COMPLETO	PROTECTION BAR SUPPORT
16			
17			
18	3011255	VITE TE M12X25	SCREW TE M12X25
19	3030162	ROSETTA PIANA M12	WASHER M12

Table 4 cod. 19010496

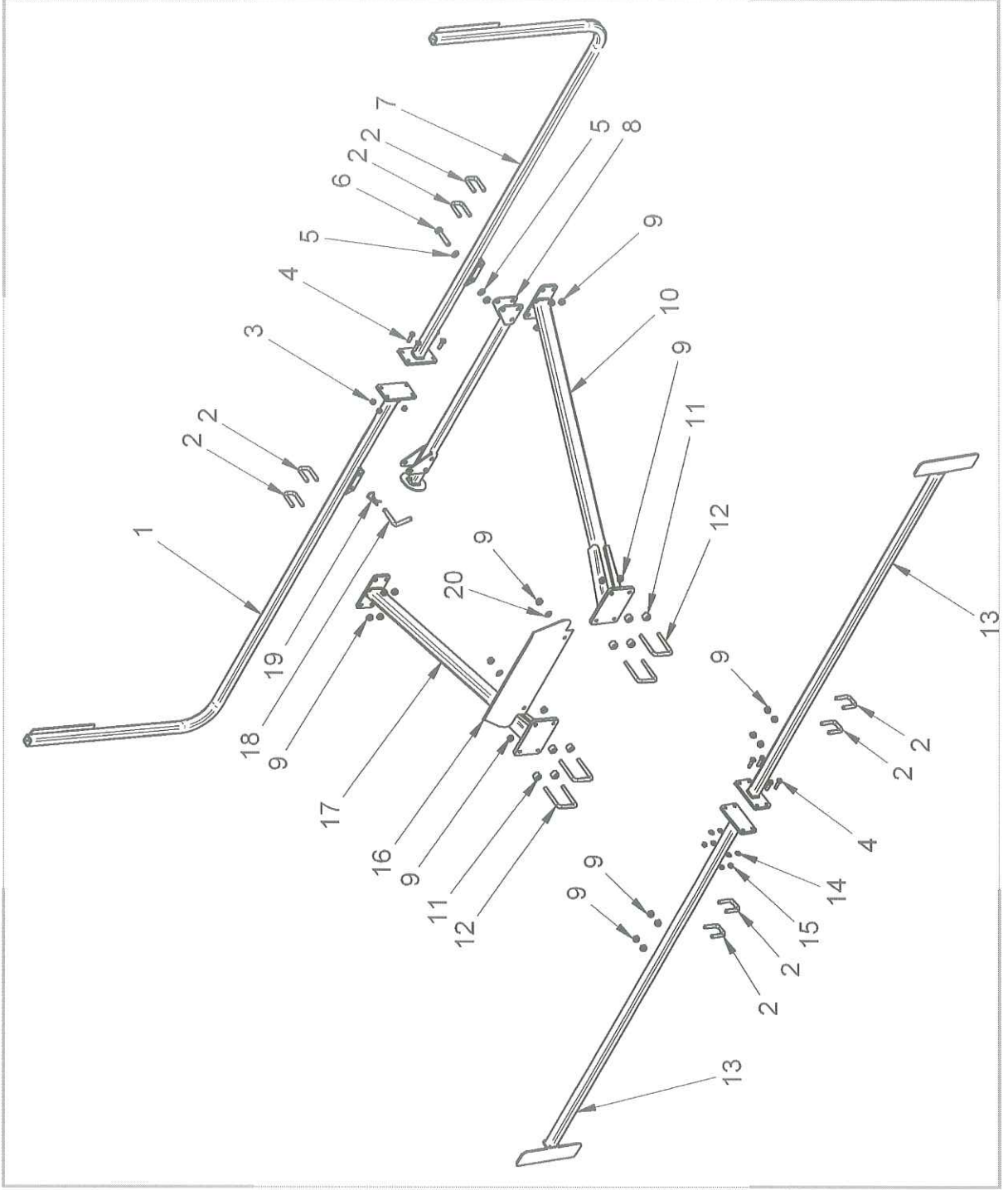


Table 4 cod. 19010496

<b>POS.</b>	<b>CODICE</b>	<b>DENOMINAZIONE</b>	<b>DESCRIPTION</b>
01	18032310	PROTEZIONE POSTERIORE DX	REAR RIGHT PROTECTION GUARD
02	3170112	CAVALLOTTO QUADRO M10X50	COLLAR
03	3020209	DADO AUTOBL. BASSO M8	SELF LOCKING NUT M8
04	3010780	VITE TE M8X30	SCREW TE M8X30
05	3030162	ROSETTA PIANA M12	WASHER M12
06	3011644	VITE TE M12X60	SCREW TE M12X60
07	18032309	PROTEZIONE POSTERIORE SX	REAR LEFT PROTECTION GUARD
08	18032314	PIEDINO ANTIRIBALTAMENTO	REAR JACK
09	3020201	DADO AUTOBL. BASSO M10	SELF LOCKING NUT M10
10	18032311	MONTANTE SX PROTEZIONE POSTERIORE	REAR LEFT PROTECTION GUARD SUPPORT
11	12060919	RONDELLA DI SPESSORAMENTO	SPACES
12	3170110	CAVALLOTTO QUADRO M10X82	COLLAR M10X82
13	18032301	PROTEZIONE ANTERIORE G4 19"	FRONT PROTECTION GUARD
14	3030156	ROSETTA PIANA M8	WASHER M8
15	3020209	DADO AUTOBL. BASSO M8	SELF LOCKING NUT M8
16	18032313	CARTER POSTERIORE	REAR CARTER
17	18032312	MONTANTE DX PROTEZIONE POST. DX	REAR RIGHT PROTECTION GUARD SUPPORT
18	12060926	SPINA DI BLOCCAGGIO	PIN D. 12 L. 98
19	3040201	COPIGLIA TIPO R 3X60	CLIP PIN 3X60
20	3030159	ROSETTA PIANA M10	WASHER M10

Table 5 cod. 19010529

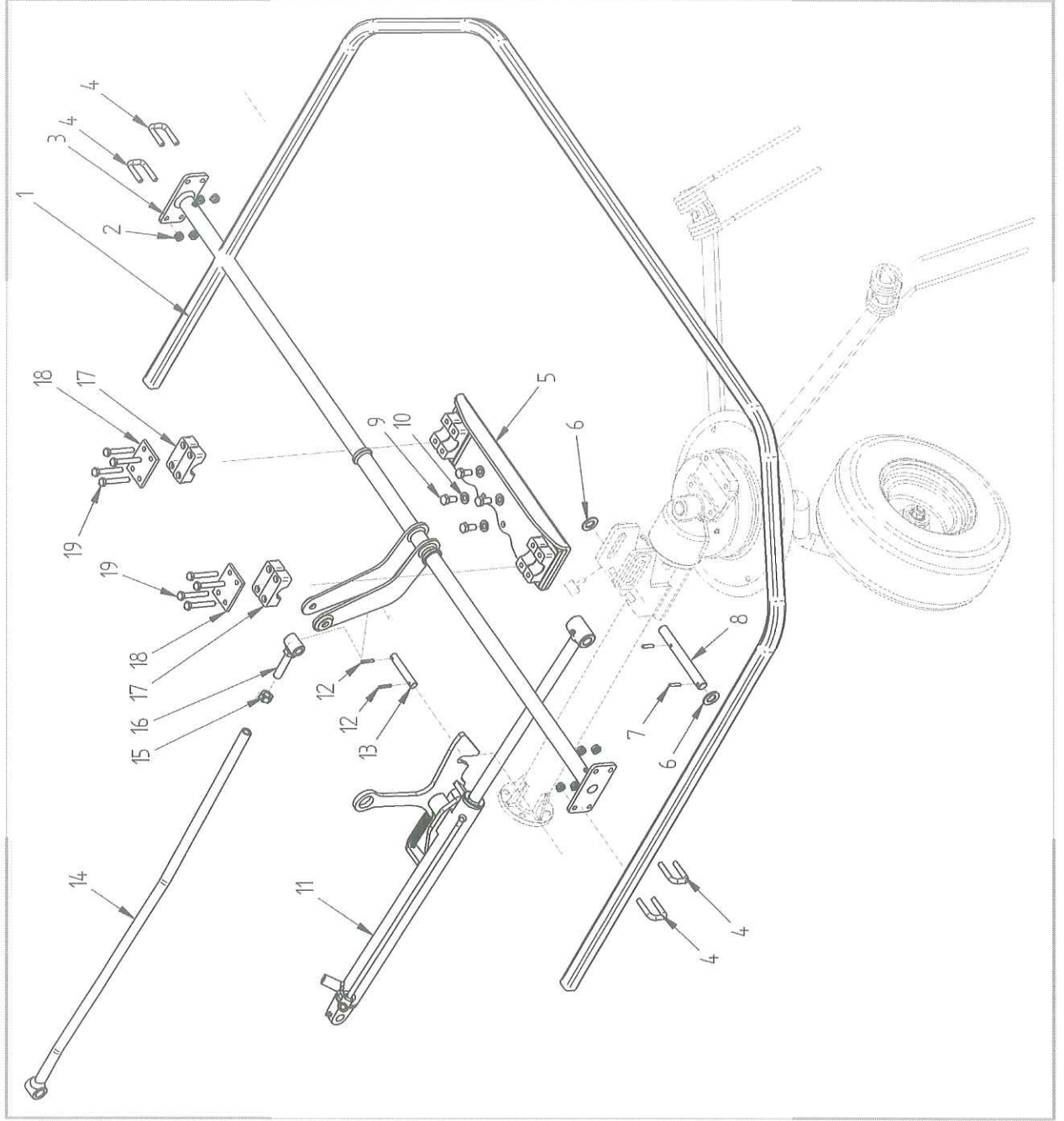
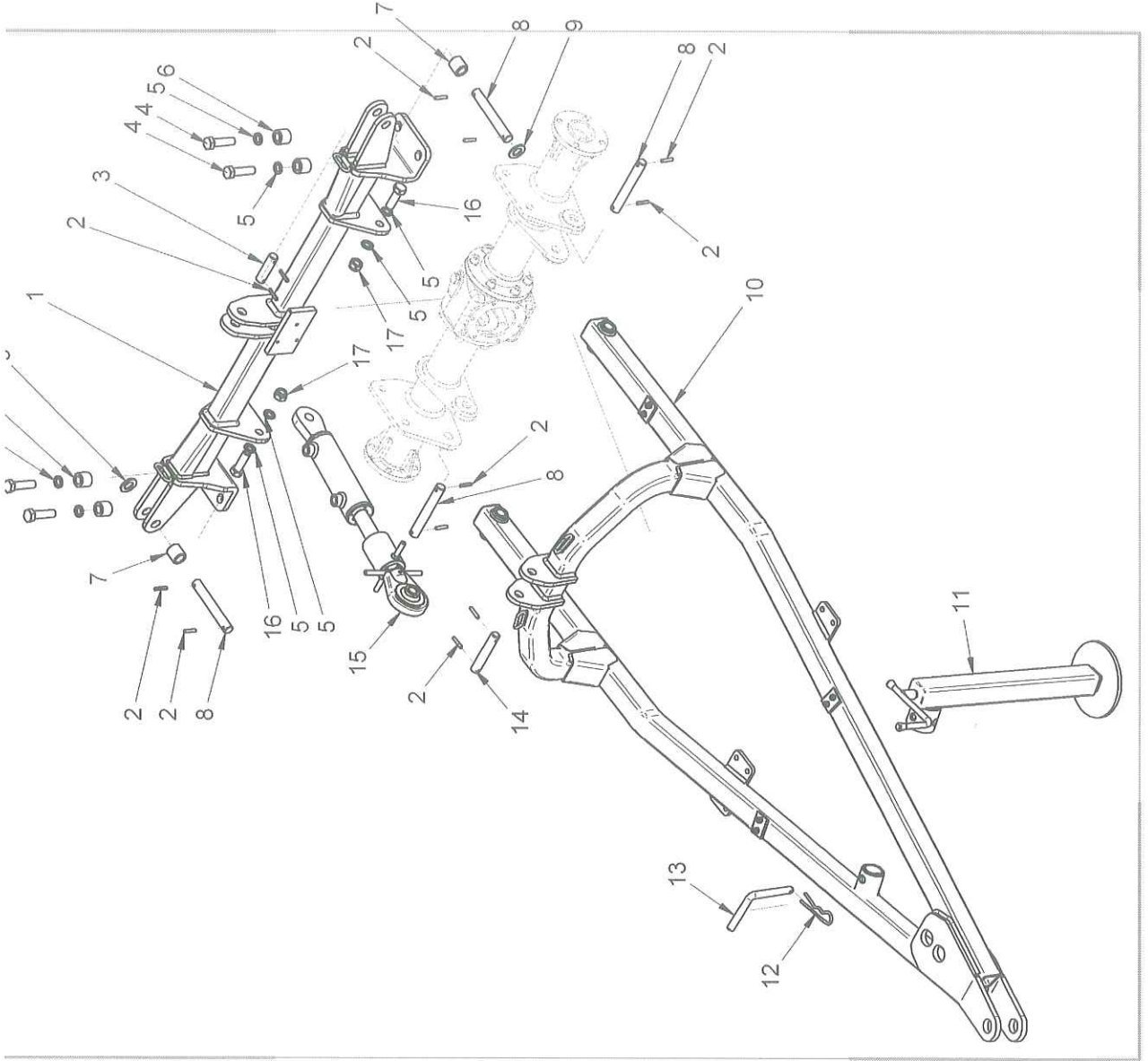




Table 5 cod. 19010529

<b>POS.</b>	<b>CODICE</b>	<b>DENOMINAZIONE</b>	<b>DESCRIPTION</b>
01	18032304	PROTEZIONE LATERALE	LATERAL PROTECTION GUARD
02	3020201	DADO AUTOBL. BASSO M10	SELF LOCKING NUT M10
03	18032317	BARRA SX DI ROTAZIONE PROTEZIONE LATERALE	LEFT ROTATING BAR
04	3170112	CAVALLOTTO QUADRO M10X30	COLLAR M10X30
05	18032303	SUPPORTO DI ROTAZIONE PROTEZIONE LAT.DX/SX	ROTATING BAR SUPPORT
06	3030134	ROSETTA PIANA M20	WASHER M20
07	3080109	SPINA ELASTICA 6X32	SPRING PIN 6X32
08	18032342	PERNO COLLEGAMENTO BRACCI LATERALI	PIN LATERAL ARM D.20 L.158
09	3011255	VITE TE M12X25	SCREW TE M12X25
10	3030162	ROSETTA PIANA M12	WASHER M12
11	18032305	CILINDRO IDR.COMPLETO	HYDRAULIC CYLINDER
12	3080101	SPINA ELASTICA 5X30	SPRING PIN 5X30
13	18032345	PERNO DI TESTA BIELLA	PIN D.16 L.92
14	18032306	BIELLA DI REAZIONE	CONNECTING BAR G4 19"
15	3020339	DADO ESAG. MEDIO M16	NUT 16MA
16	18032354	TESTA DI BIELLA	
17	18032324	SUPPORTO DI ROTAZIONE COMPLETO	PROTECTION BAR SUPPORT

Table 6 cod. 19010494



**Table 6 cod. 19010494**

<b>POS.</b>	<b>CODICE</b>	<b>DENOMINAZIONE</b>	<b>DESCRIPTION</b>
01	18031599	BARRA DI TRAINO G4 19"	CROSS DRAWBAR
02	3080109	SPINA ELASTICA 6X32	SPRING PIN 6X32
03	12880867	PERNO POST. MARTINETTO	PIN D.20 L.82
04	3011294	VITE TE M16X55	SCREW TE M16X55
05	3030322	ROSETTA GROWER M16	GROWER M16
06	18032341	DISTANZIALE	SPACER
07	18032344	BOCCOLA DI SPESSORAMENTO	SPACER
08	18032343	PERNO POST. MARTINETTO	PIN D.20 L.144
09	3030168	ROSETTA PIANA M20	WASHER M20
10	18031598	TIMONE DI TRAINO	PULL BAR
11	17020129	PIEDE DI APPOGGIO	JACK
12	3040201	COPIGLIA 3X60	CLIP PIN 3X60
13	12120104	SPINA	PIN D.15 L.200
14	12070334	PERNO MARTINETTO	PIN D.19 L.108
15	18032302	CILINDRO INCLINAZIONE	HYDRAULIC TILT
16	3010313	VITE TE M16X50	SCREW TE M16X50
17	3020204	DADO AUTOBL.BASSO M16	SELF LOCKING NUT M16

Table 7 cod. 19010530

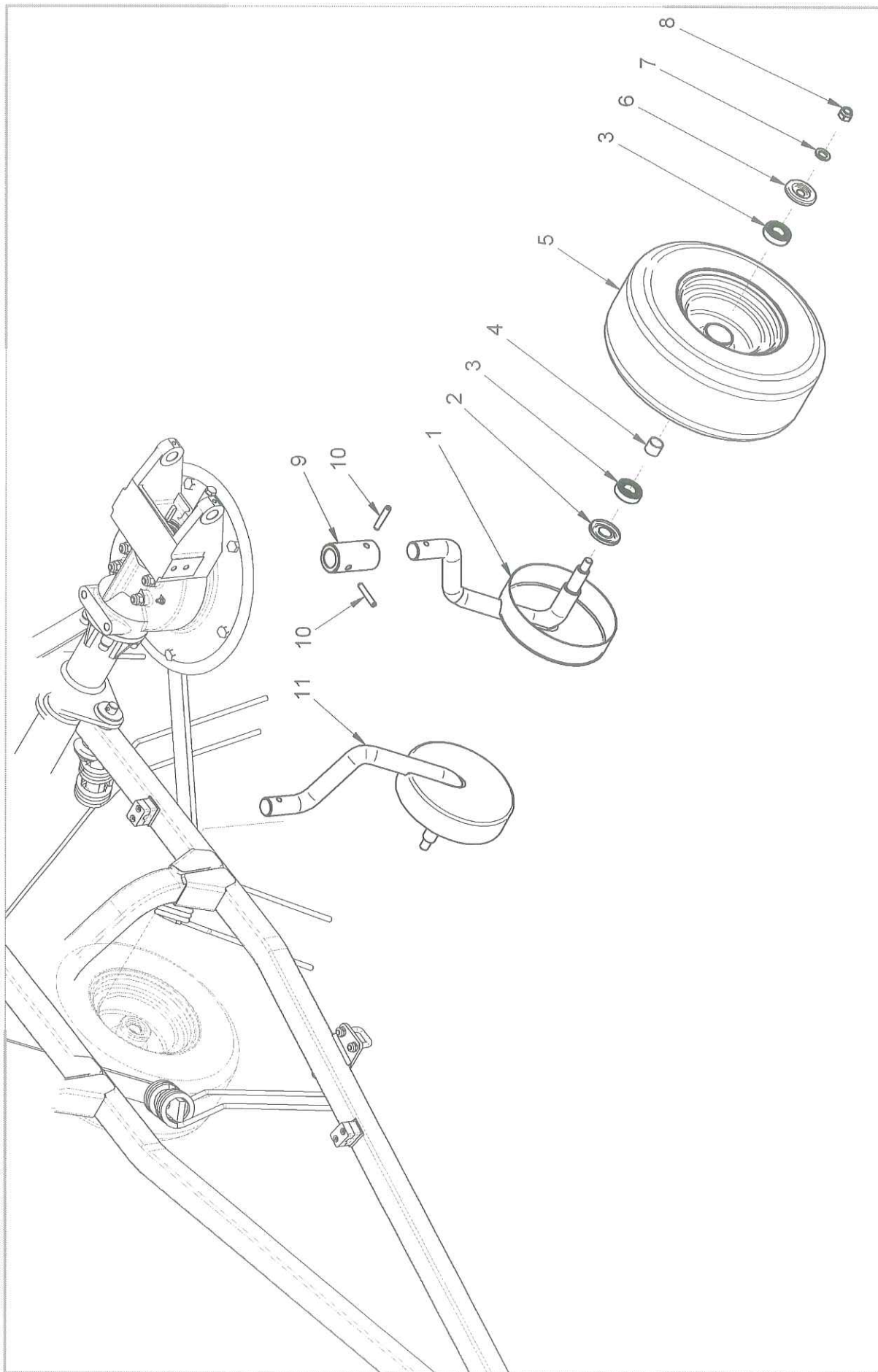
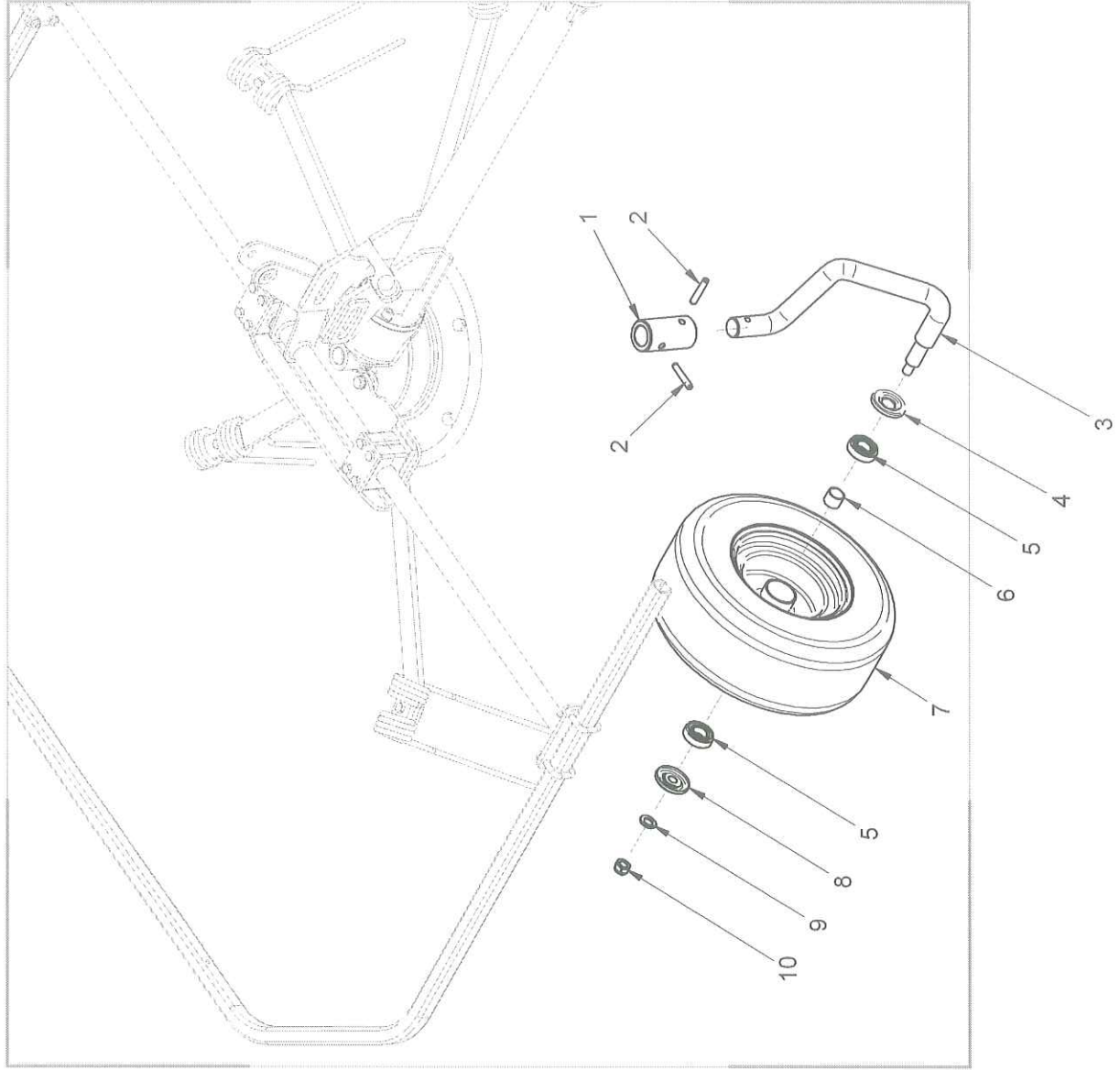


Table 7 cod. 19010530

<b>POS.</b>	<b>CODICE</b>	<b>DENOMINAZIONE</b>	<b>DESCRIPTION</b>
01	18032315	ASSE RUOTA DX compl. DI FENDER	FIXED WHEEL AXLE RIGHT+ FENDER
02	12070314	RONDELLA INTERNA PER RUOTA	INTERNAL DUST SCHIELD D.25
03	12240128	CUSCINETTO 6205 2RS	BEARING 6205 2RS
04	12070307	DISTANZIALE	SPACER
05	12170106	RUOTA COMPLETA 16X6,50-8	COMPLETE WHEEL
06	12070315	RONDELLA ESTERNA PER RUOTA	EXTERNAL DUST SCHIELD D.16
07	3030175	ROSETTA PIANA M16	WASHER M16
08	3020204	DADO AUTOBL.BASSO M16	SELF LOCKING NUT M16
09	18032308	BOCCOLA DI ATTACCO	WHEEL AXLE BUSHING
10	3080141	SPINA ELASTICA 10X55	SPRING PIN 10X55
11	18032307	ASSE RUOTA SX compl. DI FENDER	FIXED WHEEL AXLE LEFT+ FENDER

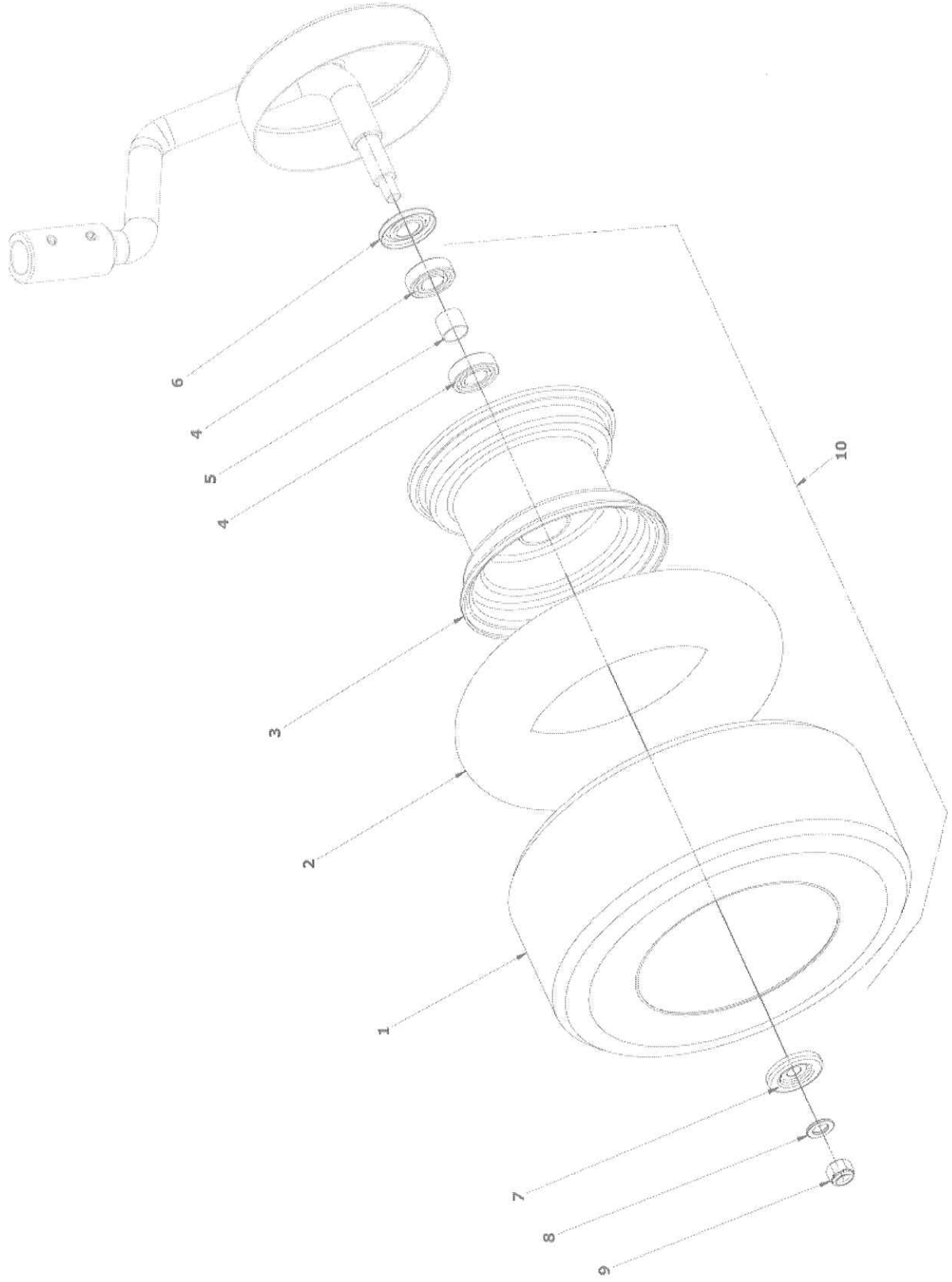
Table 8 cod. 19010531



**Table 8 cod. 19010531**

<b>POS.</b>	<b>CODICE</b>	<b>DENOMINAZIONE</b>	<b>DESCRIPTION</b>
01	18032308	BOCCOLA DI ATTACCO	WHEEL AXLE BUSHING
02	3080141	SPINA ELASTICA 10X55	SPRING PIN 10X55
03	18032318	ASSE RUOTA DX	WHEEL AXLE RIGHT
03A	18032316	ASSE RUOTA SX	WHEEL AXLE LEFT
04	12070315	RONDELLA ESTERNA PER RUOTA	EXTERNAL DUST SCHIELD D. 16
05	12240128	CUSCINETTO 6205 2RS	BEARING 6205 2RS
06	12070307	DISTANZIALE	SPACER
07	12170106	RUOTA COMPLETA 16X6,50-8	COMPLETE WHEEL
08	12070315	RONDELLA ESTERNA PER RUOTA	EXTERNAL DUST SCHIELD D. 16
09	3030175	ROSETTA PIANA M16	WASHER M16
10	3020204	DADO AUTOBL. BASSO M16	SELF LOCKING NUT M16

Table 9 cod. 19010499





**Table 9 cod. 19010499**

<b>POS.</b>	<b>CODICE</b>	<b>DENOMINAZIONE</b>	<b>DESCRIPTION</b>
1	12070327	COPERTONE RUOTA 16" X 6.50-8	WHEEL TIRE 16"X6.50-8"
2	12070326	CAMERA D'ARIA	WHEEL AIR TUBE
3	12070325	CERCHIONE	WHEEL RIM
4	12240128	CUSCINETTO 6205 2RS	BEARING 6205 2RS
5	12070307	DISTANZIALE	SPACER D.25
6	12070314	SCHERMO INTERNO	INTERNAL DUST SHIELD D.25
7	12070315	SCHERMO ESTERNO	EXTERNAL DUST SHIELD D.16
8	3030175	ROSETTA PIANA M16/6592 Zn.	WASHER 16
9	3020204	DADO AUTOBLOCCANTE M16	SELF LOCKING NUT 16
10	12170106	RUOTA COMPLETA 16"X6.50-8	COMPLETE WHEEL

Table 10 cod. 19010497

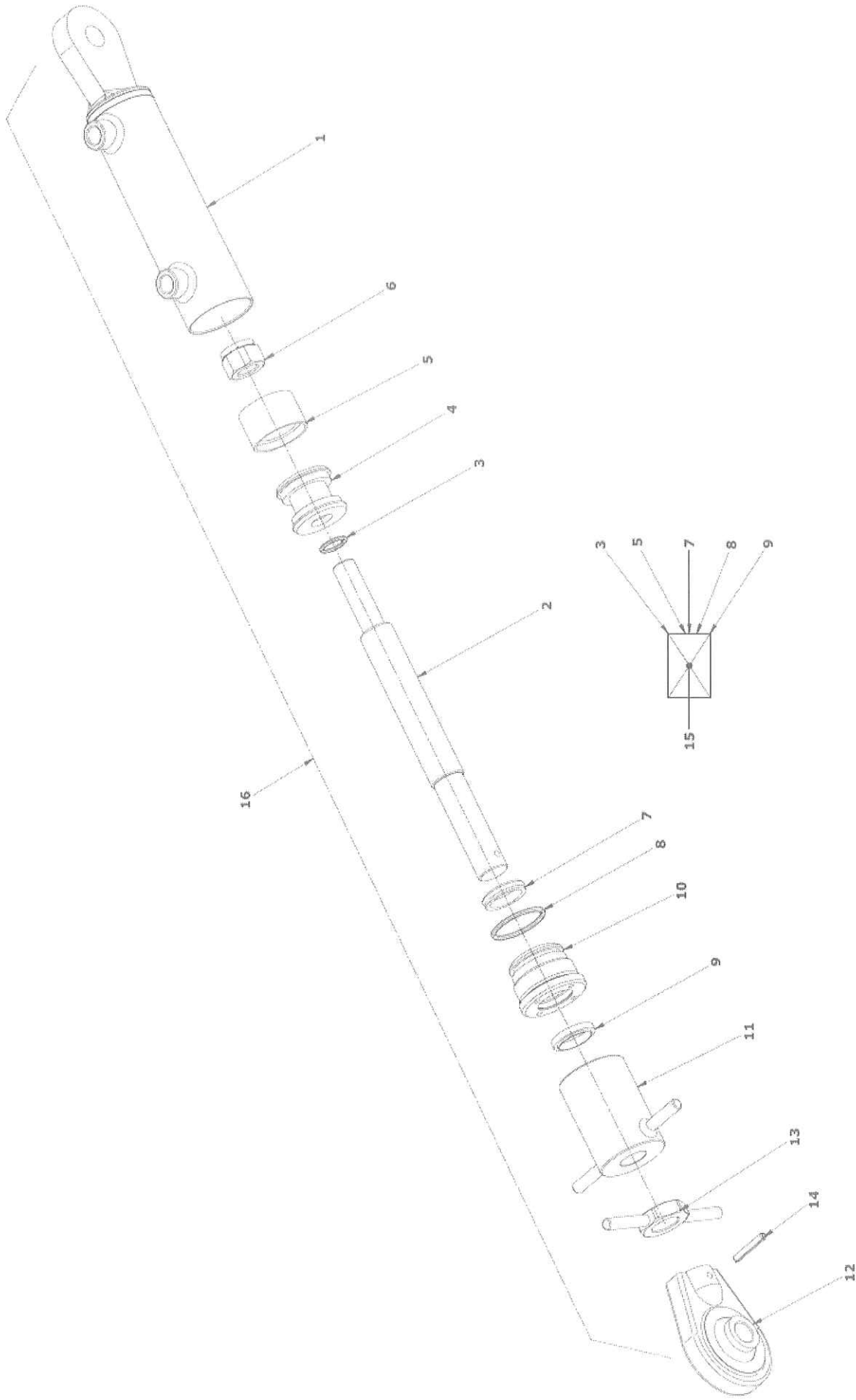


Table 10 cod. 19010497

<b>POS.</b>	<b>CODICE</b>	<b>DENOMINAZIONE</b>	<b>DESCRIPTION</b>
1	18032320	CLINDRO ESTERNO	EXTERNAL CYLINDER
2	12070324	STELO	SHAFT
3		ANELLO TOROIDALE OR117	OR 117
4	12070343	PISTONE	PISTON HEAD
5		GUARNIZIONE DBM196133	SEAL DBM
6	3020217	DADO AUTOBL.M20X1,5	SELF LOCKING NUT 20MB
7		BALSELE B157118	BALSELE SEAL B157118
8		ANELLO TOROIDALE OR826	OR 826
9		RASCHIATORE WRM118149	SCRAPER
10	12070319	TESTATA DI GUIDA	SHAFT RING
11	18032319	BATTUTA REGOL.INCLINAZ.DI LAVORO	REGOLATION NUT
12	12250016	SUPPORTO A SNODO SFERICO	CYLINDER BRACKET
13	18031355	CONTRODADO DI REGOLAZIONE	REGOLATION NUT
14	3080103	SPINA ELASTICA 6X40	SPRING PIN 6X40
15	18031541	KIT GUARNIZIONI	SEAL KIT
16	18032302	CILINDRO COMPLETO	COMPLETE CYLINDER

Table 11 cod. 19010498

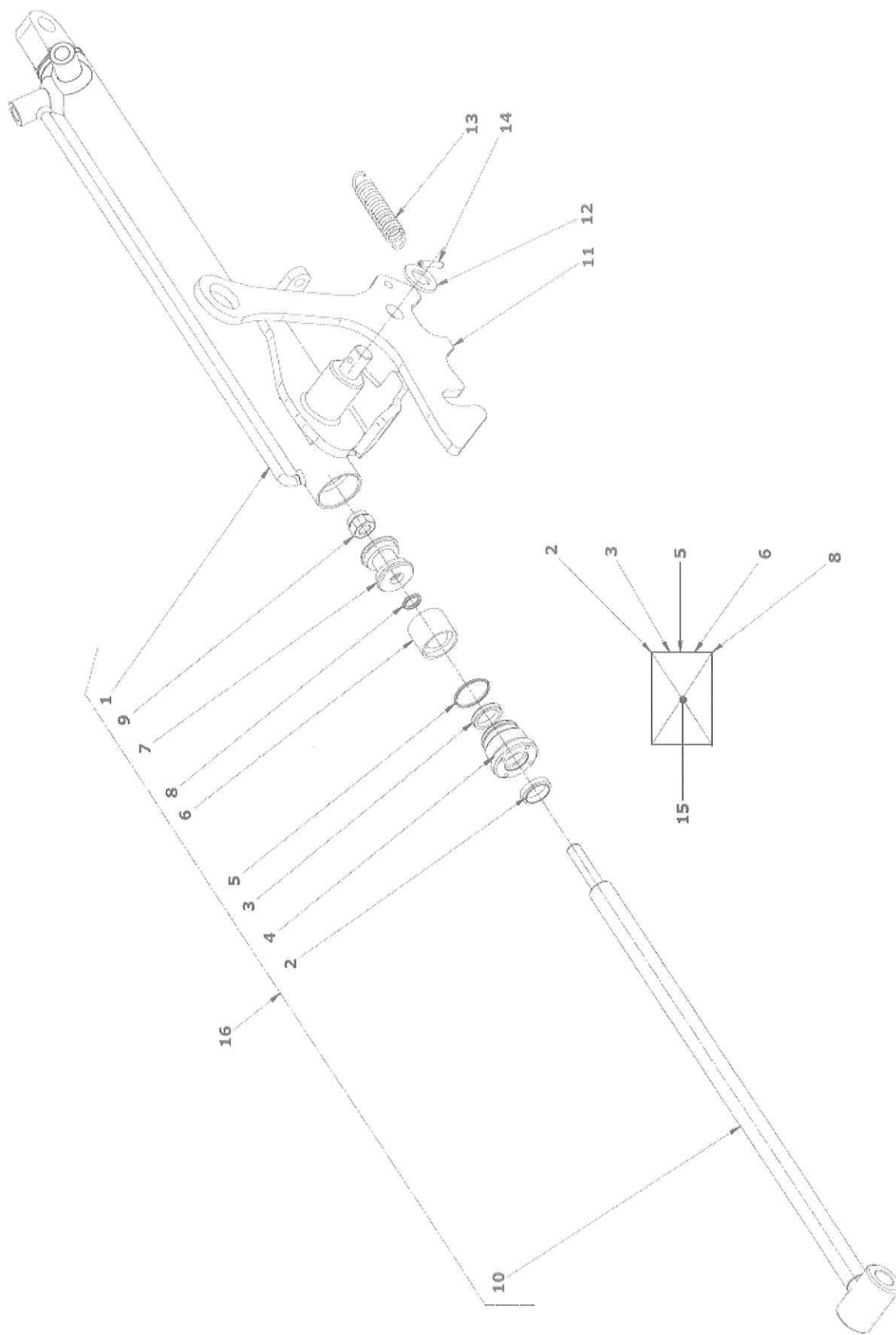


Table 11 cod. 19010498

<b>POS.</b>	<b>CODICE</b>	<b>DENOMINAZIONE</b>	<b>DESCRIPTION</b>
1	18032312	CILINDRO ESTERNO	EXTERNAL CYLINDER
2		RASCHIATORE WRM 098129	SCRAPER
3		BALSELE B 129098/1	BALSELE SEAL
4	12770215	TESTATA DI GUIDA	SHAFT RING
5		ANELLO TOROIDALE OR219	OR 219
6		GUARNIZIONE DBM 157118	SEAL DBM
7	12770104	PISTONE	PISTON HEAD
8		ANELLO TOROIDALE OR616	OR616
9	3020215	DADO AUTOBL.14X1,5	SELF LOCKING NUT 14MB
10	12070359	STELO	SHAFT
11	18032322	GANCIO DI SICUREZZA	SAFETY HOOK
12	3030168	ROSETTA PIANA M20/6592 Zn.	WASHER 20
13	11010514	MOLLA	SPRING
14	3080109	SPINA ELASTICA 6X32	SPRING PIN 6X32
15	18032323	KIT GUARNIZIONI	SEAL KIT
16	18032305	CILINDRO COMPLETO	COMPLETE CYLINDER

Table 12 cod. 19010505

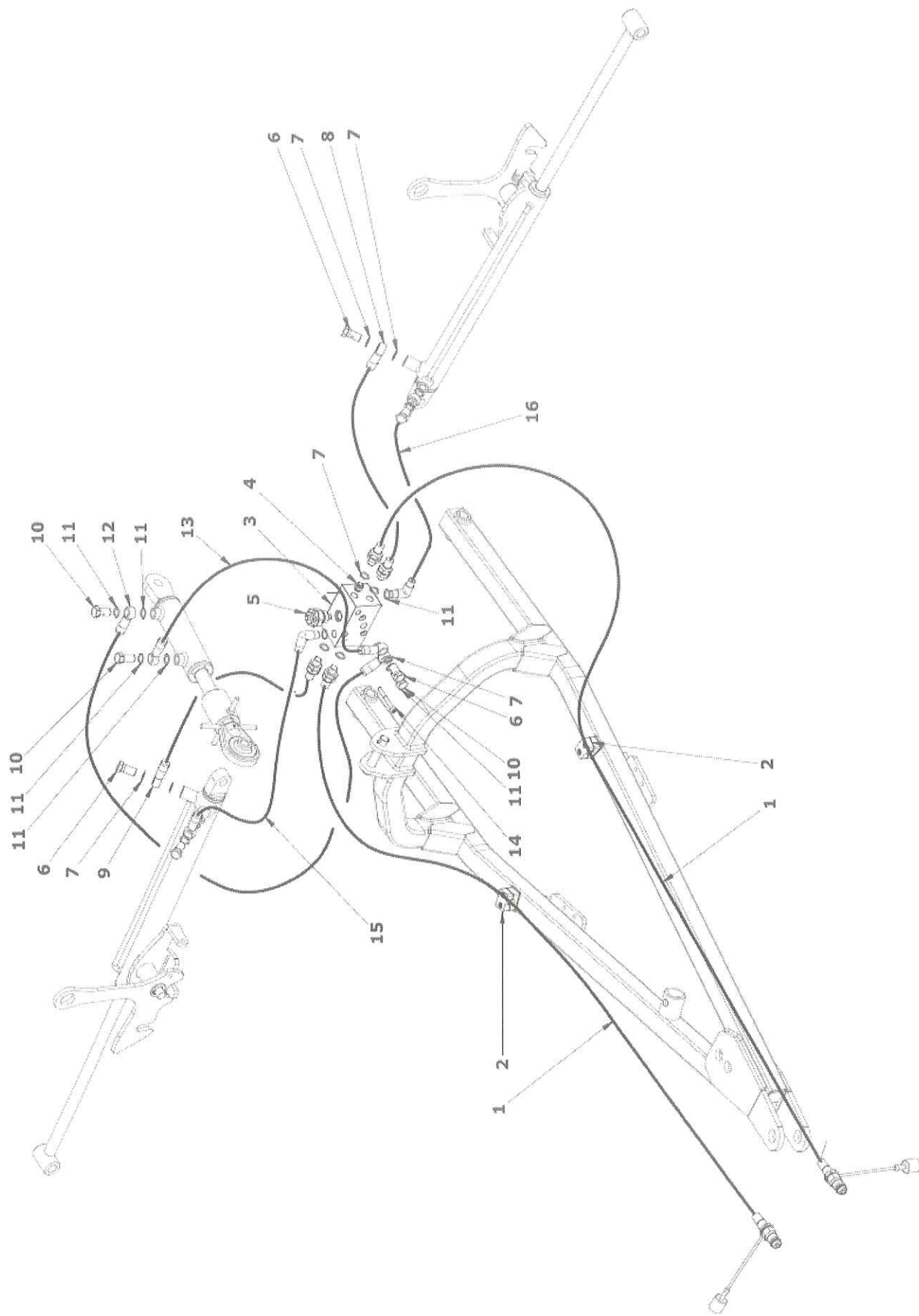


Table 12 cod. 19010505

POS.	CODICE	DENOMINAZIONE	DESCRIPTION
1	12760704	TUBO RITORNO 5/16 L.2500	HYD.HOSE L.2500
2	12980005	COLLARE C3	COLLAR
3	12760828	BLOCCO OLEODINAMICO	VALVE
4	4021203	VALVOLA UNIDIREZIONALE 3/8	REGULATION VALVE
5		VALVOLA DI MAX PRESSIONE 3/4	VALVE 3/4
6	3011643	VITE FORATA 1/4	DRILLED SCREW TE 1/4
7	3030406	RONDELLA RAME 1/4	COPPER WASHER 1/4
8	12760705	TUBO IDR. MANDATA CILINDRO LATERALE SX R1T 3/8 L.610	HYD. HOSE L.610
9	12760706	TUBO IDR. MANADATA CILINDRO LATERALE DX R1T 3/8 L.680	HYD HOSE L. 680
10	3011605	VITE FORATA 3/8	DRILLED SCREW 3/8
11	3030403	RONDELLA RAME 3/8	COPPER WASHER 3/8
12	12760707	TUBO IDR. R1T 3/8 L.380 SCARICO CILINDRO REG.IDR.	HYD. HOSE L.380
13	12760708	TUBO IDR. R1T 3/8 L.380 MANDATA CILINDRO REG. IDR.	HYD.HOSE L.380
14	3010656	VITE T.C.C.E.I. M8X65/5737	SCREW 8X65
15	12760709	TUBO IDR. R1T 3/8 L.680 ALIMENTAZ.CILINDRO DX	HYD.HOSE L.680
16	12760710	TUBO IDR. R1T 1/4 L.610 SCARICO CILINDRO SX	HYD.HOSE L.610

