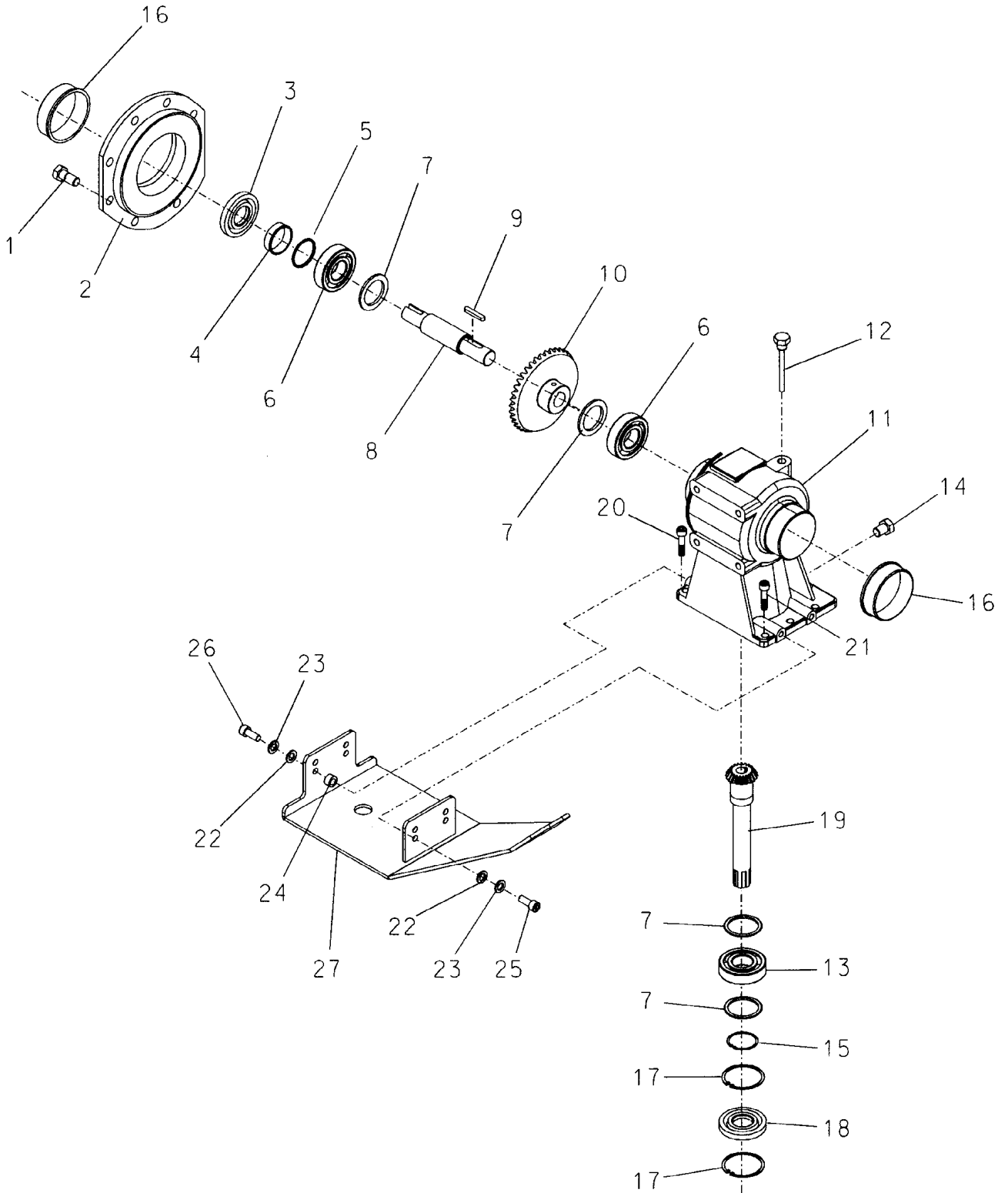


**DISC MOWER DM165 - DM210 - DM245****Parts list**

**When ordering spare parts or asking for technical information on your mower, please be sure to always mention the implement's serial numbers. This is very important when ordering spare parts. Always use only original Tonutti spare parts so as not to incur in any problems regarding the warranty policy for this implement.**

<b>Head Office</b>	<b>Factories</b>	<b>U.S. Warehouse</b>	<b>RUSSIAN Warehouse</b>
Via Udine 16 33047 Remanzacco (Italy) Phone ++39-0432-667015 Fax ++39-0432-668282	Remanzacco (UD) Rivignano (UD) Vezzano (RE)	S&T Distributing Co. 1909 Thomas Road Memphis TN.38134 Phone 901-385-8841 Fax 901-385-8288	G.M.T. Limited 3 Tekhnicheskaja Street Perm, 614070 Phone 3422-90-90-96 Fax 3422-90-90-96

e-mail: [tonutti@tonutti.it](mailto:tonutti@tonutti.it)web site: [www.tonutti.it](http://www.tonutti.it)

**SECONDARY TRANSMISSION GEAR BOX DM165-210-245**


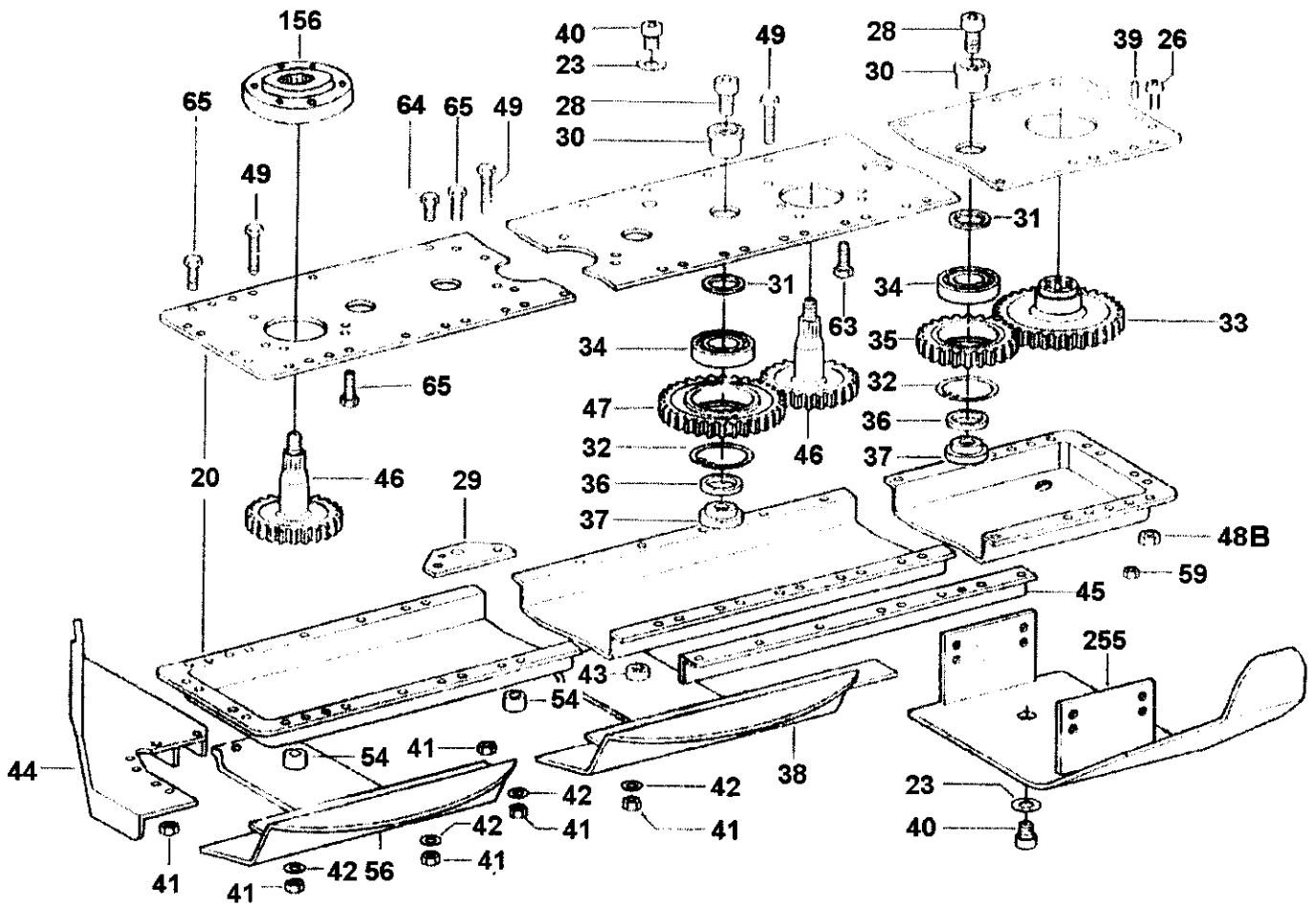
---

**SECONDARY TRANSMISSION GEAR BOX DM165-210-245**

<b>N#</b>	<b>CODE#</b>	<b>DESCRIPTION</b>	<b>Q.TY</b>
1	C654A001	SCREW TE M 10x 22 8.8 UNI5739	8
2	F654A002	COVER	1
3	C654A003	RETAINING RING 45x65x10	3
4	F654A004	BUSHING OR	1
5	C654A005	GASKET T2-126	1
6	C654A006	BEARING ROLLER 30207	1
7	F654A007	SPACER 35.3x48.0	4
8	F654A008	SHAFT	8
9	C654A009	PLATE 10x8x35	1
10	F654A010	CROWN CONICAL	1
11	F654A011	BOX	1
12	F654A012	OIL CAP LEVER 3/8 GAS	1
13	C654A013	BEARING BALL 6307	1
14	C654A014	OUTLET PLUG 3/8 GAS	1
15	C654A015	RING FOR SHAFT 35	1
16	F654A016	BUSHING	2
17	C654A017	RING FOR SHAFT 35	2
18	C654A018	RETAINING RING 35X80X10	1
19	F654A019	SHAFT WITH PINION	1
20	C654A020	SCREW T.C.E.I. M12X45 UNI5931 zn	3
21	C654A021	SCREW T.C.E.I. M12X40 UNI5931 zn	5
22	F654F005	WASHER M10 zn UNI6592 zn	4
23	F654F004	WASHER SCHNORR M10 zn UNI 8842-A	4
24	C654A253	SPACER	2
25	C654A257	SCREW T.C.E.I. M 10x 22 12.9 UNI5931	2
26	C654A258	SCREW T.C.E.I. M 10x 35 12.9 UNI5931	2
27	C654A255	SUPPORT SLIDING	1

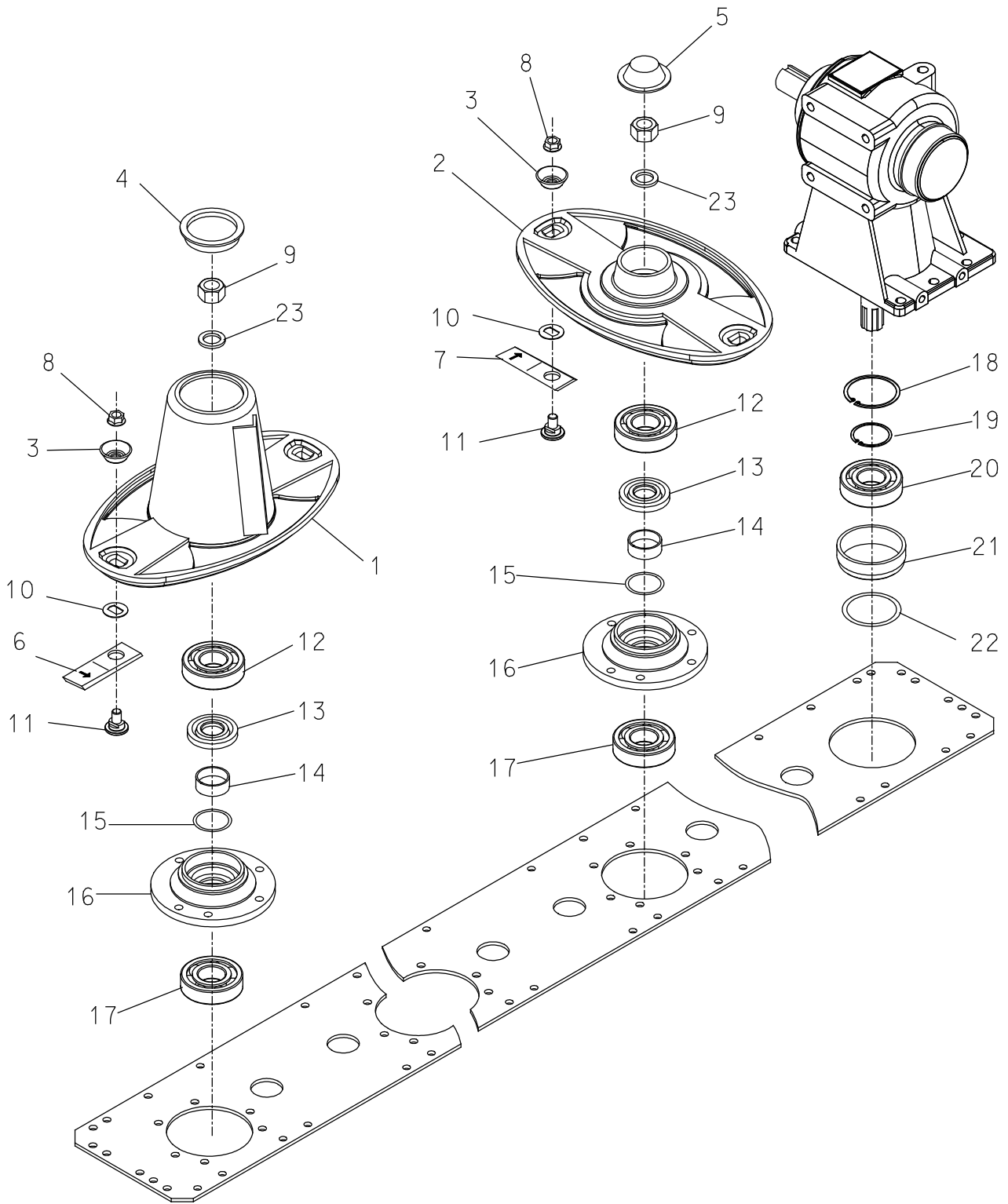


**CUTTER BAR**



**CUTTER BAR**

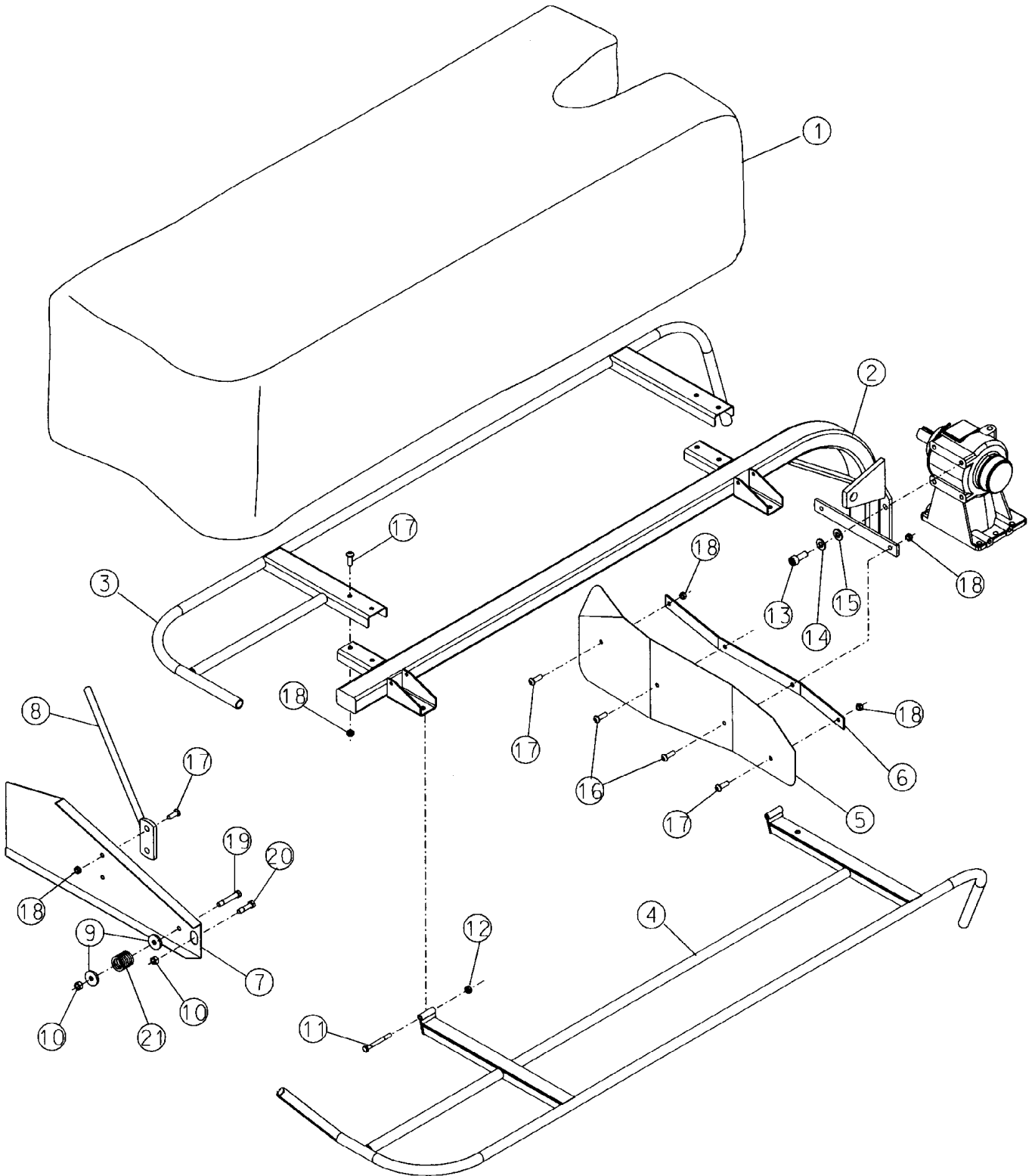
<b>N#</b>	<b>CODE#</b>	<b>DESCRIPTION</b>	<b>Q.TY</b>
20	F654A020A	BATH 165	1
	F654A020B	COVER 165	1
20	F654A020C	BATH 210	1
	F654A020D	COVER 210	1
20	F654A020E	BATH 245	1
	F654A020F	COVER 245	1
23	C654A023	WASHER FOR SCREW 17x22x1.5	2
26	C654A026	SCREW T.C.E.I. M 8x 25      DIN7984	4
28	F654A028	SCREW T.C.E.I. M20x30	11
29	F654A029	SUPPORT FOR HOOK	1
30	F654A030	PIVOT FOR BEARING	11
31	F654A031	SPACER 35.3x48.0	11
32	F654A032	RING FOR SHAFT D. 80	11
33	F654A033	GEARS Z45 M3	1
34	C654A034	BEARING 6208 C3	11
35	F654A035	GEAR IDLE	3
36	F654A036	SPACER	11
37	F654A037	PIVOT	11
38	F654A038	SKID SUPPORT	2
39	C654A039	SPRING PIN 10X12 D1481	2
40	F654A040	HEX. PLUG 3/8 GAS	1
41	C654A041	HEX NUT M10 UNI5587 zn	86
42	F654A042	BELLEVILLE SPRING 20X10, 2X1,1	5
43	F654A043	SPACER 11.3x21.3x7	2
44	F654A044	SUPPORT FOR SIDE CONVEYOR	1
45	F654A045A	REINFORCEMENT REAR 165	1
45	F654A045B	REINFORCEMENT REAR 210	1
45	F654A045C	REINFORCEMENT REAR 245	4
46	C654A046	GEAR ROTORE Z34 M3	6
47	C654A047	GEAR IDLE Z45 M3	8
48B	C654A048B	NUT HEX M10 PCTR 320	8
49	F654A049	SCREW M10X52	5
54	F654A054	SPACER 11.3x21.3x15	3
56	F654A056	SLIDING SUPPORT	5
59	C654A059	HEX. NUT M8 UNI5588 zn	4
63	F654A063	SCREW FOR LOW BATH	3
64	F654A064	SCREW FOR BATH M10x20	24
65	F654A065	SCREW FOR BATH M10x30	49
156	F654A156	FLANGE	6
255	C654A255	SUPPORT SLIDING	1

**ROTARY BLADES**


**ROTARY BLADES**

<b>N#</b>	<b>CODE#</b>	<b>DESCRIPTION</b>	<b>Q.TY</b>
1	F654A021	PLATE FOR CONVEYOR	1
2	F654A058	DISC PLATE	
3	C654A256	NUT PROTECTION	12
4	F654A055	COVER	1
5	C654A062	COVER 40X7	5
6	F654B077	CUTTER L.H.	
7	F654B078	CUTTER R.H.	
8	F654B076	NUT HEX. M12 DIN6923	12
9	C654A061	NUT HEX SELF LOCKING M18 UNI7473 zn	6
10	C654A254	WASHER	12
11	C654A252	SCREW T.E. M12 FOR BLADE	12
12	C654A057	BEARING 6206 2RS C3	6
13	C654A053	RETAINING RING 40X56X8	6
14	F654A052	SPACER	6
15	C654A051	GASKET OR 3112	6
16	F654A050	BEARING SUPPORT	6
17	C654A048	BEARING 6306 2Z C3	6
18	C654A022	RING FOR HOLE D. 80	1
19	C654A024	RING FOR SHAFT D. 30	1
20	C654A025	BEARING 6208 C3	1
21	F654A027	BUSHING FOR BEARING	1
22	C654A251	GASKET OR 4375	1
23	C654A060	BELLEVILLE SPRING	6

**PROTECTION GUARDS DM 165 - 210**

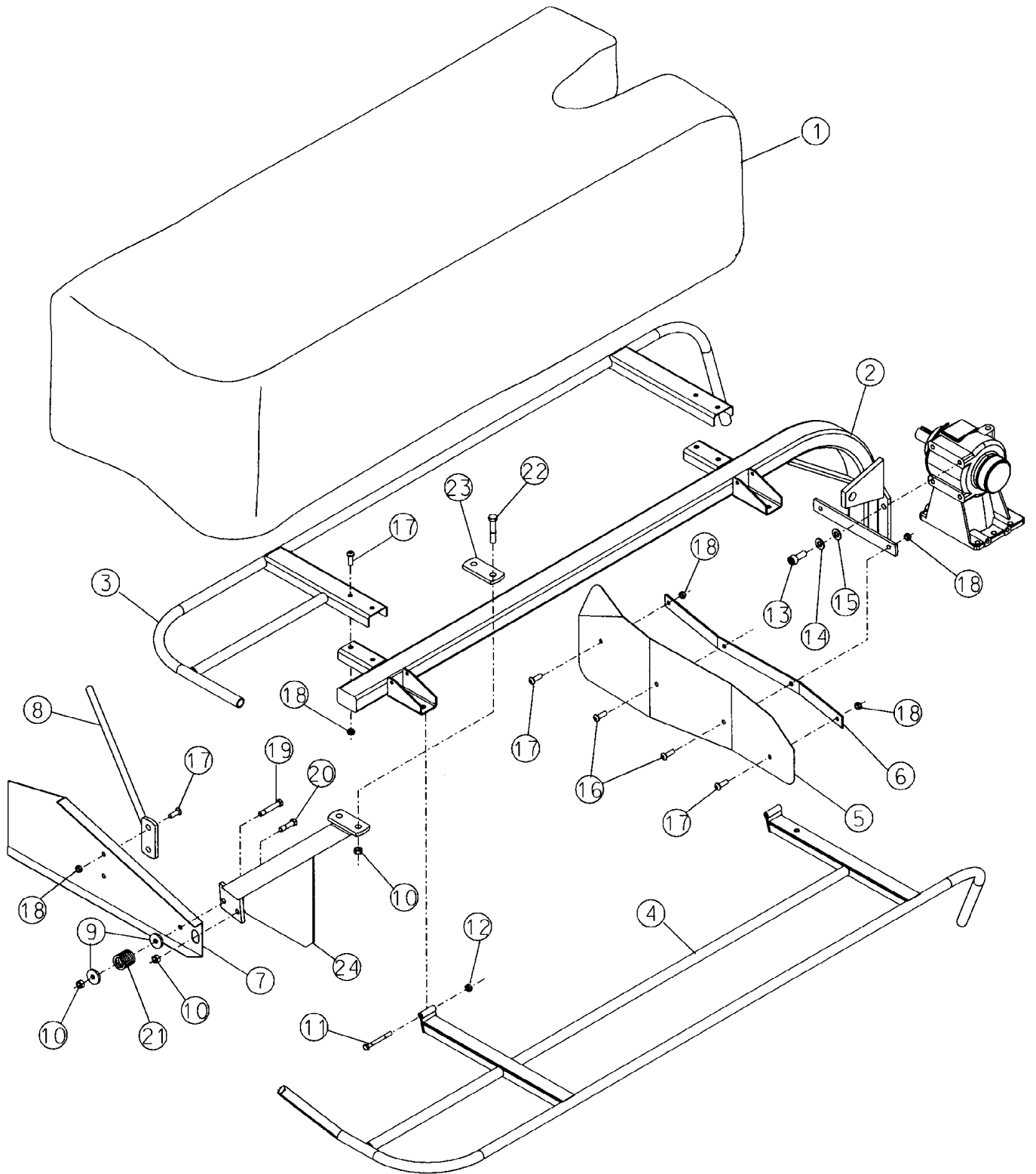




**PROTECTION GUARDS DM 165 - 210**

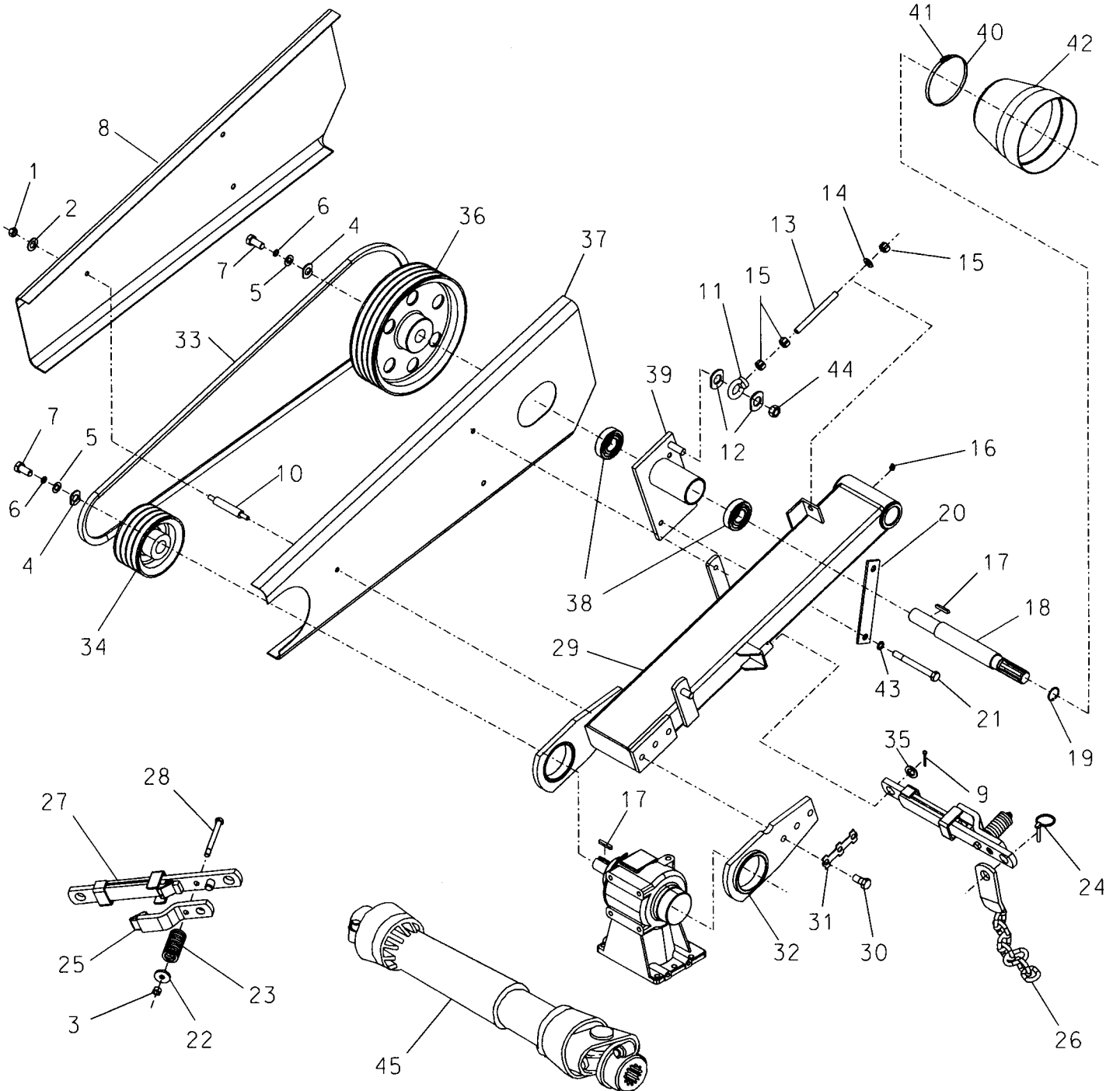
<b>N#</b>	<b>CODE#</b>	<b>DESCRIPTION</b>	<b>Q.TY</b>
1	F654F018	PROTECTION CLOTH 165	1
	F654F019	PROTECTION CLOTH 210	1
2	F654F022	FRAME FOR PROTECTION 165	1
	F654F023	FRAME FOR PROTECTION 210	1
3	F654F020	PROTECTION REAR 165	1
	F654F021	PROTECTION REAR 210	1
4	F654F024	PROTECTION FRONT 165	1
	F654F025	PROTECTION FRONT 210	1
5	F654A135	WINDROW ADJUSTER INTERNAL	1
6	F654A132	ROD FOR WINDROW ADJUST	1
7	F654A072	WINDROW WIDTH ADJ.	1
8	F654A076	BLADE FOR WINDROW W. ADJ.	1
9	F654A151	WASHER PIANA M12 UNI6593 zn	2
10	F654A073	NUT HEX. M12 UNI7473 zn	2
11	F654C011	SCREW T.E. M8x80 UNI5737 zn	2
12	F654F007	SELF LOCKING NUT M8 UNI7473 zn	2
13	F654A131	SCREW T.C.E.I. 12X30 UNI5931 zn	4
14	F654F008	WASHER SCHNORR M12 zn UNI 8842-A	4
15	F654D006	ELASTIC WASHER M12 UNI8840	4
16	F654F009	SCREW TBCEI M10x30 UNI-ISO7380	2
17	F654A075	SCREW TBCEI M10x25 UNI-ISO7380	8
18	F654D002	SELF LOCKING NUT M10 UNI7473 zn	10
19	F654F010	SCREW TBCEI M12x70 UNI-ISO7380	1
20	F654D004	SCREW TE M12x35 UNI5739	1
21	F654A150	SPRING L. 35 D. 8	1

**PROTECTION GUARDS DM 245**



**PROTECTION GUARDS DM 245**

<b>N#</b>	<b>CODE#</b>	<b>DESCRIPTION</b>	<b>Q.TY</b>
1	F654F014	PROTECTION CLOTH 245	1
2	F654F016	FRAME FOR PROTECTION 245	1
3	F654F015	PROTECTION REAR 245	1
4	F654F017	PROTECTION FRONT 245	1
5	F654A135	WINDROW ADJUSTER INTERNAL	1
6	F654A132	ROD FOR WINDROW ADJUST	1
7	F654A072	WINDROW WIDTH ADJ.	1
8	F654A076	BLADE FOR WINDROW W. ADJ.	1
9	F654A151	WASHER D. 12 UNI6593 zn	2
10	F654A073	SELF LOCKING NUT M12 UNI7473 zn	4
11	F654C011	SCREW T.E. M8x80 UNI5737 zn	2
12	F654F007	SELF LOCKING NUT M8 UNI7473 zn	2
13	F654A131	SCREW T.C.E.I. 12X30	4
14	F654F008	WASHER SCHNORR M12 zn UNI 8842-A	4
15	F654D006	ELASTIC WASHER M12 UNI8840	4
16	F654F009	SCREW TBCEI M10x30 UNI-ISO7380	2
17	F654A075	SCREW TBCEI M10x25 UNI-ISO7380	8
18	F654D002	SELF LOCKING NUT M10 UNI7473 zn	10
19	F654F010	SCREW TBCEI M12x70 UNI-ISO7380	1
20	F654D004	SCREW TE M12x35 UNI5739	1
21	F654A150	SPRING L. 35 D. 8	1
22	F654C007	SCREW TE M12x90 UNI5737 zn	2
23	F654F011	SUPPORT PLATE	1
24	F654F013	SUPPORT STAND	1

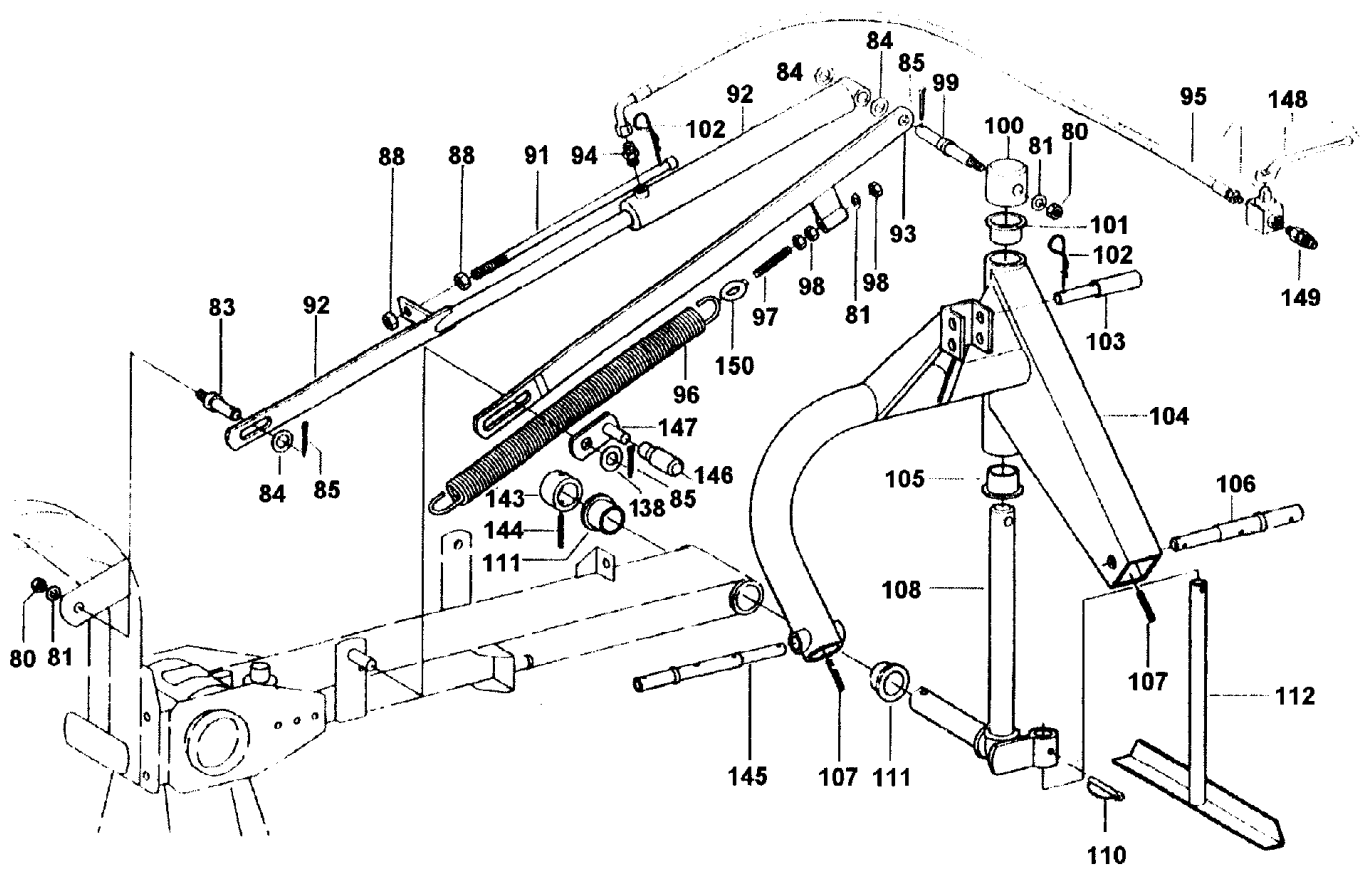
**GEAR BOX**


**GEAR BOX**

N#	CODE#	DESCRIPTION	Q.TY
1	F654A073	NUT HEX SELFLOCKING M12 UNI7473	3
2	F654C023	WASHER M12 UNI6592 ZN	3
3	F654A073	NUT HEX SELFLOCKING M12 UNI7473	1
4	F654A077	WASHER D.40-12.5	3
5	F654D006	WASHER D. 12 UNI8840	3
6	F654D007	WASHER SCHNORR M12 UNI 8842-A	3
7	F654A079	SCREW T.E. M12X30 UNI5739	2
8	F654A082	GUARD REAR DM	1
9	F654A085	COTTER PIN 6x50 UNI 1336	2
10	F654A086	SPACER THREADED	3
11	F654F006	VERROU FEM. M14	1
12	F654F030	WASHER D.40-18.5	2
13	F654F035	ROD THREADED M14x2 L=150 DIN 975	1
14	F654F031	WASHER M14 UNI6592 zn	1
15	F654A098	NUT HEX. M 14 UNI5588 zn	3
16	F654A109	GREASER 8x1	1
17	F654A113	KEY 10x8x50	2
18	F654A114	SHAFT	1
19	F654A115	SEEGER FOR HOLE D.35	1
20	F654A116	BLADE FOR ROD	1
21	F654A117	SCREW T.E. M 16x190 UNI5737 zn	1
22	F654D005	WASHER D.40-12.5	1
23	F654A119	SPRING	1
24	F654A120	PIN	1
25	F654A121	SAFETY HOOK	1
26	F654A122	CHAIN	1
27	F654A123	SAFETY ROD	1
28	F654A124	SCREW T.E. M 12x 150 UNI5737 zn	1
29	F654A125	ARM CARRYING DM	1
30	F654A126	SCREW T.E. M 14x 35 UNI5739 zn	3
31	F654D036	CLAMP FOR BOLT	1
32	F654A129	BRACKET	1
33	F654A136	BELT B98	4
34	F654A137A	PULLEY 160X165	1
34	F654A137B	PULLEY 160X210	1
34	F654A137C	PULLEY 160X245	1
35	F654A138	WASHER M24 M24 UNI6592 zn	2
36	F654A139A	PULLEY 320X165	1
36	F654A139B	PULLEY 320X210	1
36	F654A139C	PULLEY 320X245	1
37	F654A140	GUARD FRONT DM	1
38	F654A141	BEARING 6207 2RS	2
39	F654A142	SUPPORT FOR SHAFT	1
40	F654A157	CLAMP	1
41	F654F032	FASTEN RING FOR CLAMP	1
42	F654A158	GUARD	1
43	F654A081	WASHER M16 UNI6592 zn	1
44	F654A080	NUT HEX SELFLOCKING M16 UNI7473	1
45	F654G001	P.T.O. SHAFT DM-DMP	1



**MAIN FRAME**

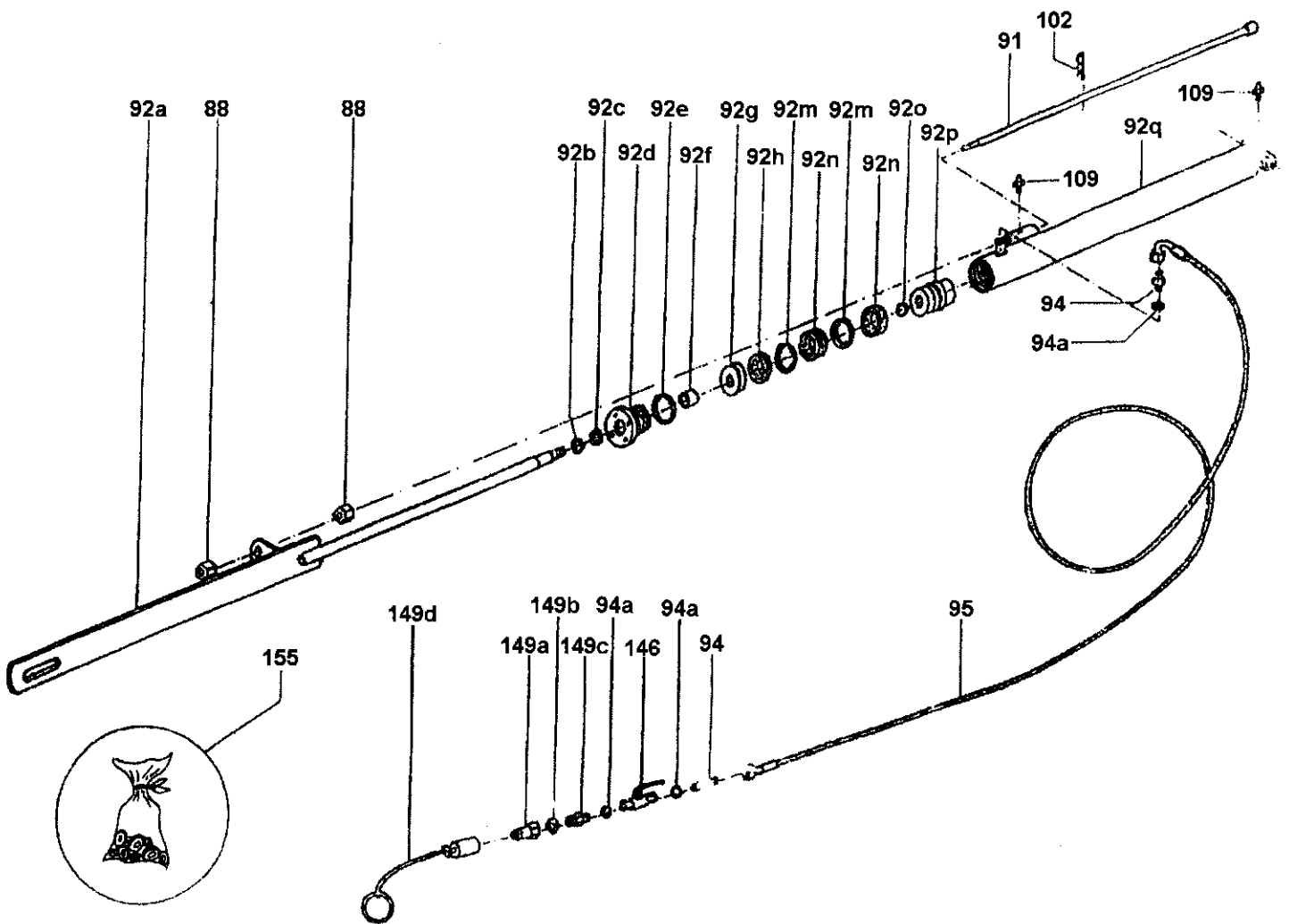


**MAIN FRAME**

<b>N#</b>	<b>CODE#</b>	<b>DESCRIPTION</b>	<b>Q.TY</b>
80	F654A080	SELF LOCKING NUT M16 UNI7473 zn	2
81	F654A081	WASHER M16 UNI6592 zn	3
83	F654A083	PIVOT FOR CYLINDER	1
84	F654A084	WASHER M 20 UNI6592 zn	2
85	F654A085	COTTER PIN UNI 1336-6.3x50 zn	2
88	F654A088	NUT HEX. M20 UNI5588 zn	2
91	F654A091	ROD FOR CYLINDER	1
92	F654A092	CYLINDER HYDRAULIC	1
93	F654A093	ROD FOR VENT	1
95	F654A095	RUBBER HOSE	1
96	F654A096	SPRING FOR CYLINDER	1
97	F654A097	ROD THREADED M14x2 L=180 DIN 975	1
98	F654A098	NUT HEX. M14 UNI5588 zn	3
99	F654A099	PIVOT	1
100	F654A100	GUARD	1
101	F654A101	BUSHING PLASTIC	1
102	F654A102	SPLIT PIN R D. 5	2
103	F654A103	PIVOT FOR 3PT.HT.	2
104	F654A104	ATTACHMENT 3PT.HT.	1
105	F654A105	BUSHING	1
106	F654A106	PIVOT	1
107	F654A107	SPRING PIN 8x50 UNI6873	2
108	F654A108	BRACKET FOR 3PT.HITCH	1
110	F654D038	PIN/LOCK D=10 L=60	1
111	F654A111	BUSHING IN PLASTIC	2
112	F654A112	STAND	1
138	F654A138	WASHER M 24 UNI6592 zn	2
143	F654A143	BUSHING	1
144	F654A144	SPRING PIN 12X70	1
145	F654A145	PIVOT	1
146	F654A146	KNOB	1
147	F654A147	LEVER	1
148	F654A148	RUBINETTO 1/4	1
149	F654A149	FAST FLUID CONNECTOR	1
150	F654F006	VERROU FEM. M14	1



HYDRAULIC HOSE/CYLINDER ASSEMBLY





---

**HYDRAULIC HOSE/CYLINDER ASSEMBLY**

<b>N#</b>	<b>CODE#</b>	<b>DESCRIPTION</b>	<b>Q.TY</b>
88	F654A088	NUT HEX. M20 UNI5588 zn	2
91	F654A091	ROD FOR CYLINDER	1
92a	F654A092A	ROD	1
92b	F654A092B	GASKET 20X28.6X6.5	1
92c	F654A092C	GASKET 20x28x8	1
92d	F654A092D	BOTTOM PLATE	1
92e	F654A092E	GASKET 44x39.8x2.5	1
92f	F654A092F	LIMITER RUN	1
92g	F654A092G	PLATE	1
92h	F654A092H	ROD GUIDE	2
92m	F654A092M	RING PLASTIC	2
92n	F654A092N	GASKET 40X30X8	1
92o	F654A092O	GASKET OR16X21 T2.62	1
92p	F654A092P	BUSH	1
92q	F654A092Q	TUBE FOR CYLINDER	1
94	F654A094	NIPPLE 1/4 x 3/8	1
94a	F654A094A	GASKET 1/4	2
95	F654A095	RUBBER HOSE	1
102	F654A102	SPLIT PIN R D. 5	2
109	F654A109	GREASER 8x1	1
146	F654A146	KNOB	1
149a	F654A149A	COUPLING 1/4	1
149b	F654A149B	GASKET 1/4	1
149c	F654A149C	REDUCER 1/2-1/4	1
149d	F654A149D	PROTECTION	1
155	F654A155	SEAL KIT	1

**NUMERICAL INDEX**

<b>PART N#</b>	<b>PAGE N#</b>	<b>REF N#</b>	<b>PART N#</b>	<b>PAGE N#</b>	<b>REF N#</b>	<b>PART N#</b>	<b>PAGE N#</b>	<b>REF N#</b>
C654A001	1	1	F654A016	1	16	F654A077	11	4
C654A003	1	3	F654A019	1	19	F654A079	11	7
C654A005	1	5	F654A020A	3	20	F654A080	11	44
C654A006	1	6	F654A020B	3	20	F654A080	13	80
C654A009	1	9	F654A020C	3	20	F654A081	11	43
C654A013	1	13	F654A020D	3	20	F654A081	13	81
C654A014	1	14	F654A020E	3	20	F654A082	11	8
C654A015	1	15	F654A020F	3	20	F654A083	13	83
C654A017	1	17	F654A021	5	1	F654A084	13	84
C654A018	1	18	F654A027	5	21	F654A085	11	9
C654A020	1	20	F654A028	3	28	F654A085	13	85
C654A021	1	21	F654A029	3	29	F654A086	11	10
C654A022	5	18	F654A030	3	30	F654A088	13	88
C654A023	3	23	F654A031	3	31	F654A088	15	88
C654A024	5	19	F654A032	3	32	F654A091	13	91
C654A025	5	20	F654A033	3	33	F654A091	15	91
C654A026	3	26	F654A035	3	35	F654A092	13	92
C654A034	3	34	F654A036	3	36	F654A092A	15	92a
C654A039	3	39	F654A037	3	37	F654A092B	15	92b
C654A041	3	41	F654A038	3	38	F654A092C	15	92c
C654A046	3	46	F654A040	3	40	F654A092D	15	92d
C654A047	3	47	F654A042	3	42	F654A092E	15	92e
C654A048	5	17	F654A043	3	43	F654A092F	15	92f
C654A048B	3	48B	F654A044	3	44	F654A092G	15	92g
C654A051	5	15	F654A045A	3	45	F654A092H	15	92h
C654A053	5	13	F654A045B	3	45	F654A092M	15	92m
C654A057	5	12	F654A045C	3	45	F654A092N	15	92n
C654A059	3	59	F654A049	3	49	F654A092O	15	92o
C654A060	5	23	F654A050	5	16	F654A092P	15	92p
C654A061	5	9	F654A052	5	14	F654A092Q	15	92q
C654A062	5	5	F654A054	3	54	F654A093	13	93
C654A251	5	22	F654A055	5	4	F654A094	15	94
C654A252	5	11	F654A056	3	56	F654A094A	15	94a
C654A253	1	24	F654A058	5	2	F654A095	13	95
C654A254	5	10	F654A063	3	63	F654A095	15	95
C654A255	1	27	F654A064	3	64	F654A096	13	96
C654A255	3	255	F654A065	3	65	F654A097	13	97
C654A256	5	3	F654A072	7	7	F654A098	11	15
C654A257	1	25	F654A072	9	7	F654A098	13	98
C654A258	1	26	F654A073	7	10	F654A099	13	99
F654A002	1	2	F654A073	9	10	F654A100	13	100
F654A004	1	4	F654A073	11	1	F654A101	13	101
F654A007	1	7	F654A073	11	3	F654A102	13	102
F654A008	1	8	F654A075	7	17	F654A102	15	102
F654A010	1	10	F654A075	9	17	F654A103	13	103
F654A011	1	11	F654A076	7	8	F654A104	13	104
F654A012	1	12	F654A076	9	8	F654A105	13	105

**NUMERICAL INDEX**

<b>PART N#</b>	<b>PAGE N#</b>	<b>REF N#</b>	<b>PART N#</b>	<b>PAGE N#</b>	<b>REF N#</b>	<b>PART N#</b>	<b>PAGE N#</b>	<b>REF N#</b>
F654A106	13	106	F654A149A	15	149a	F654F017	9	4
F654A107	13	107	F654A149B	15	149b	F654F018	7	1
F654A108	13	108	F654A149C	15	149c	F654F019	7	
F654A109	11	16	F654A149D	15	149d	F654F020	7	3
F654A109	15	109	F654A150	7	21	F654F021	7	
F654A111	13	111	F654A150	9	21	F654F022	7	2
F654A112	13	112	F654A151	7	9	F654F023	7	
F654A113	11	17	F654A151	9	9	F654F024	7	4
F654A114	11	18	F654A155	15	155	F654F025	7	
F654A115	11	19	F654A156	3	156	F654F030	11	12
F654A116	11	20	F654A157	11	40	F654F031	11	14
F654A117	11	21	F654A158	11	42	F654F032	11	41
F654A119	11	23	F654B076	5	8	F654F035	11	13
F654A120	11	24	F654B077	5	6	F654G001	11	45
F654A121	11	25	F654B078	5	7			
F654A122	11	26	F654C007	9	22			
F654A123	11	27	F654C011	7	11			
F654A124	11	28	F654C011	9	11			
F654A125	11	29	F654C023	11	2			
F654A126	11	30	F654D002	7	18			
F654A129	11	32	F654D002	9	18			
F654A131	7	13	F654D004	7	20			
F654A131	9	13	F654D004	9	20			
F654A132	7	6	F654D005	11	22			
F654A132	9	6	F654D006	7	15			
F654A135	7	5	F654D006	9	15			
F654A135	9	5	F654D006	11	5			
F654A136	11	33	F654D007	11	6			
F654A137A	11	34	F654D036	11	31			
F654A137B	11	34	F654D038	13	110			
F654A137C	11	34	F654F004	1	23			
F654A138	11	35	F654F005	1	22			
F654A138	13	138	F654F006	11	11			
F654A139A	11	36	F654F006	13	150			
F654A139B	11	36	F654F007	7	12			
F654A139C	11	36	F654F007	9	12			
F654A140	11	37	F654F008	7	14			
F654A141	11	38	F654F008	9	14			
F654A142	11	39	F654F009	7	16			
F654A143	13	143	F654F009	9	16			
F654A144	13	144	F654F010	7	19			
F654A145	13	145	F654F010	9	19			
F654A146	13	146	F654F011	9	23			
F654A146	15	146	F654F013	9	24			
F654A147	13	147	F654F014	9	1			
F654A148	13	148	F654F015	9	3			
F654A149	13	149	F654F016	9	2			

TONUTTI reserves the right to make changes or add improvements at any time without notice.  
The information contained herein is general in nature and is not intended for specific application purposes.

