

DANMK INDUSTRY CO.,LTD

Ms.Ping Wang Manager

Add:2610 Block B World Trade Building No. 66 Dongguan Zhengjie,Xian China Zip:710048

Tel:0086-013572266768,

whatsapp: 0090-552-511-2396

E-mail: wping98@gmail.com,WFL89@163.com

www.globalchoice.me,

Istanbul:Perpa market B Block Kat 8 No.998, Okmeydani-Sisli.Istanbul Turkey.Cell:0552-511-2396

Atlas International LLC

ADD:624?Krona,?Suite?180,?Plano?TX?75074?USA?1-630-347-1788?www.modularhomesbulder.com

NO.	Kompanzasyon Kontaktörü	Ürün Tanımı 型号 规格	birim 单位
1	切换电容接触器	CJ19-25 11E	pc
2		CJ19-32 11E	pc
3		CJ19-43 11E	pc
4		CJ19-50A/21	pc
5		CJ19-63 21E	pc
6		CJ19-95 21E	pc
7		CJ19-125A/21	pc



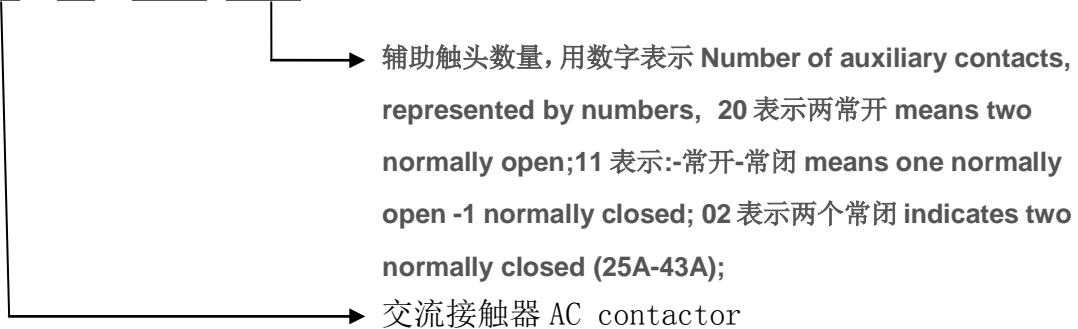


一: Scope of application 适用范围

CJ19 series switching capacitor contactor is suitable for AC 50Hz, rated working voltage to 400V, agreed heating current to 90A, for turning on and off shunt capacitor bank to improve circuit power factor (CJ19 系列切换电容器接触器适用于交流 50Hz, 额定工作电压至 400V、约定发热电流至 90A 的电路中, 供接通和分断并联电容器组, 以改善电路的功率因数。)

二: Model and its meaning(型号及其含义)

CJ 19--□□/□□



三: Structure 结构特征

1. CJ19 series switching capacitor contactor is a direct-acting double-breakpoint structure. The contact system is arranged in two layers. The upper layer has three pairs of pre-filled contacts and a matching resistor to form a surge inrush device. When it is closed, it is turned on for a few milliseconds, and then the working contact is turned on. The permanent magnet in the pre-filling contact is released under the reaction of the spring, and the resistance is disconnected to make the capacitor work normally. The internal circuit connection of the contactor is shown in the figure. CJ19 系列切换电容器接触器为直动式双断点结构, 触头系统分上下两层布置, 上层有三对预充触头与切合电阻构成抑制涌流装置。当合闸时它先接通经数毫

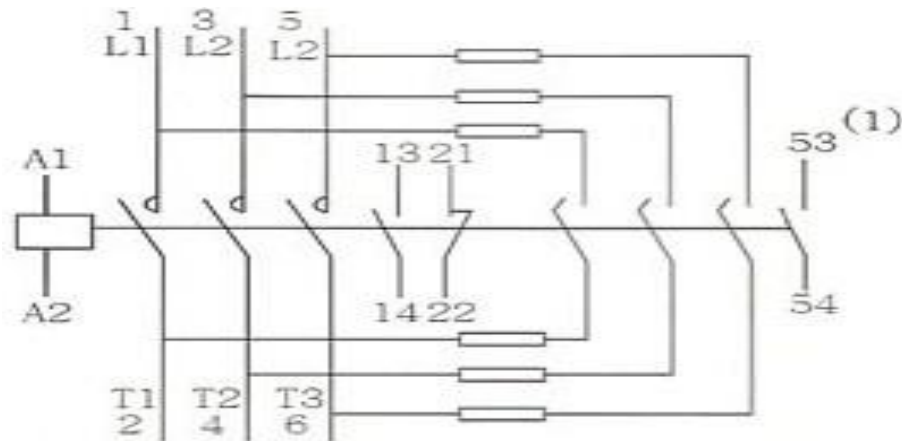
秒之后工作触头接通，预充触头中永久磁块在弹簧反作用下释放，断开切合电阻，使电容器正常工作，接触器内部电路连接见图。

2. The contactors of 12, 18 and 20 Kvar have two pairs of auxiliary contacts, and the contactors of 30 Kvar have three pairs of auxiliary contacts(12、18、20Kvar 的接触器有两对辅助触头，30Kvar 的接触器有三对辅助触头。)

3. The contactor terminals are covered by an insulating cover and are safe and reliable. The coil terminals are labeled with voltage data to prevent misconnection. 12, 18, 20Kvar contactors can be installed with screws, or can be attached to the 35mm standard rail by the bottom slider. The mask has a removable rectangular white card that the user can use to print the project code.(接触器接线端有绝缘罩覆盖，安全可靠。线圈接线端标有电压数据，可防止接错。12、18、20Kvar 接触器可用螺钉安装，也可借底部的滑块扣装在 35mm 标准卡轨上。面罩上有一个可拆装的长方形白色小牌，用户可用它打印项目代号。)

四：The main technical parameters 主要技术参数

1. Contactor main technical data(接触器主要技术数据)

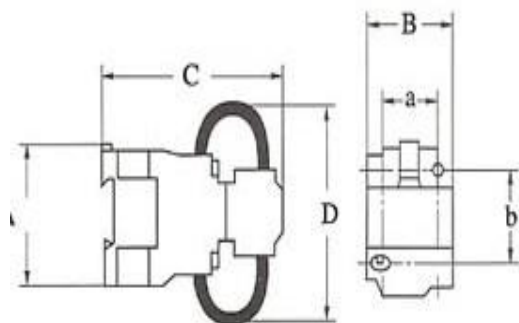


Ue Rated control supply voltage(额定控制电源电压)

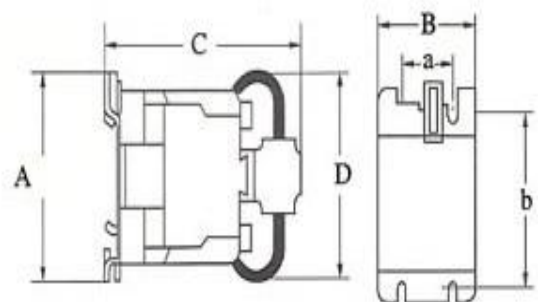
2. Control coil voltage: 50Hz, 220V, 380V, can also be manufactured according to user requirements(控制线圈电压：50Hz，220V，380V，也可按用户要求制造)

五：Shape and installation dimensions(外形及安装尺寸)

CJ19-25、32、43外形尺寸及安装尺寸



CJ19-63、80、95外形尺寸及安装尺寸



Model 型号	Dimensions 外形尺寸				Installation size 安装尺寸			
	A	B	C	D	A	B	Φ	Card gauge(卡规)
CJ19-25	76	47	125	120	35	50/60	4.5	35
CJ19-32	86	58	135	130	40	50/60		
CJ19-43	86	58	135	130	40	50/60		
CJ19-63	128	79	156	150	40	100/110	6.5	35/75
CJ19-80	128	87	160	200	40	100/110		
CJ19-95	128	87	160	200	40	100/110		

In addition to the screw mounting, this series of contactors can also be mounted by standard rail rapid insertion. For CJ19-25, 32, 43 contactors, the rail width is 35mm, for CJ19-63, 80, 95 contactors, the rail width is 35mm or 75mm.