

build your design



with **LALOO**
ACCESSORIES

LaLOO collections build a working environment for your bathroom.
Wash up, spruce up and turn it up for the daily drill or evening elegance.

May 1, 2023

A CELEBRATION of ART & FUNCTION

LaLOO Accessories is a Canadian company established in 1999.

The owners of LaLOO Accessories have been designing and consulting to the Home Building and DIY market since 1988. They understand the long-standing design traditions of the bathroom space.

“if you do it right, it will last forever”

... Massimo Vignelli

LaLOO customers want to buy products that are **proven**, **high quality**, **competitively priced** and **‘in style.’**

The LaLOO buying team respects these criteria and continually introduces new trends.


*catering to your requirements,
handling your needs with care*

2019 Award for excellence



“style changes but fashion endures”

... Coco Chanel



2009
Xavier Breege Classic-S Classic-R

2011
Jazz Payton Upton

2013
Oxford Steele Vega

2015
Indy Wynn

2017
CoCo Gravity Hero Radius Steele II

2019
Ash Eaton Farrow

2021
Draft Lincoln Yukon

2003
Rachelle

2004
Taylor Karre II

2007
Fabian Dallas

1999
Sophia Jacques Emma Chanelle Andree

2023
Leading the way with Tyme

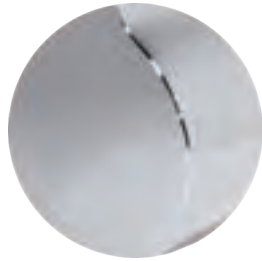


LALOO SELECTION - SPECIAL FINISHES

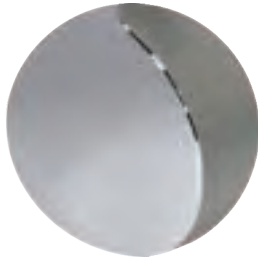
new chrome accents



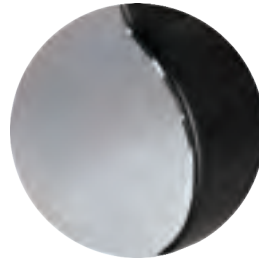
PS Polished Stainless



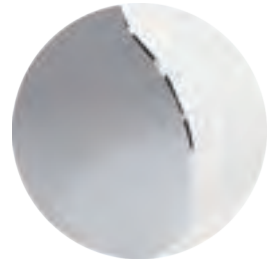
C Chrome



CG Chrome with Stone Grey



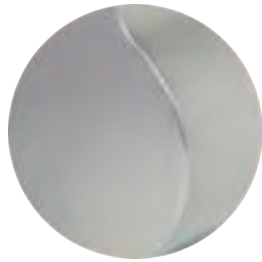
CM Chrome with Matte Black



CW Chrome with White Frost



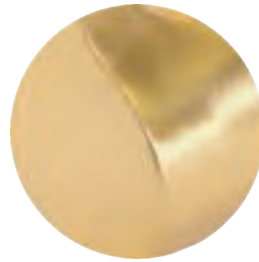
BS Brushed Stainless



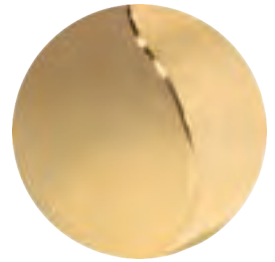
BN Brushed Nickel



PN Polished Nickel



BG Brushed Gold

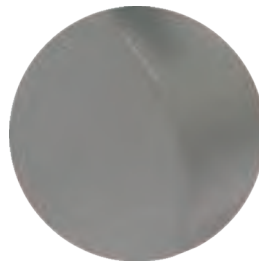


GD Polished Gold

Special finishes may vary slightly from pictures.



MB Matte Black



SG Stone Grey



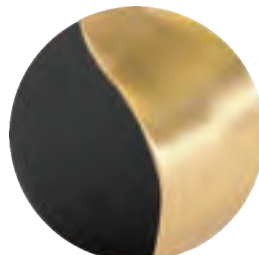
WF White Frost

See **page 36** for cleaning instructions.

new matte black accents



MC Matte Black with Chrome



MG Matte Black with Brushed Gold



LALOO SELECTION

TOWEL BARS



Ash p.2



Classic-R p.5



CoCo p.7



Draft p.9



Eaton p.11



Farrow p.13



Gravity p.15



Hero p.17



Jazz p.19



Lincoln p.21



Payton p.23



Radius p.25



Steele II p.27



Tyme p.29



Upton p.31



Wynn p.33



Yukon p.35



double up



Classic-R p.5



CoCo p.7



Draft p.9



Eaton p.11



Farrow p.13



Hero p.17



Jazz p.19



Lincoln p.21



Payton p.23



Steele II p.27



Tyme p.29



Wynn p.33



Yukon p.35

LALOO SELECTION

HAND TOWEL BARS & RINGS



Ash p.2



CoCo p.6



Draft p.8



Eaton p.10



Jazz p.18



Radius p.24



Wynn p.32



Classic-R p.4



Eaton p.10



Farrow p.12



Gravity p.14



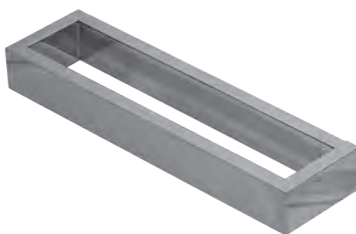
Hero p.16



Lincoln p.20



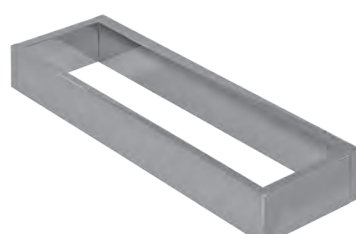
Payton p.22



Steele II p.26



Tyme p.28



Upton p.30

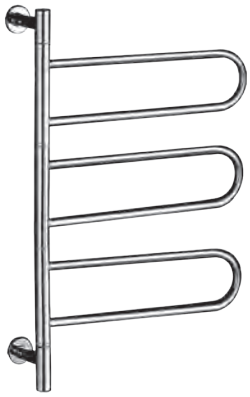


Yukon p.34

May 2023

LALOO SELECTION

Towel Solutions



6 Bar Swing p.41



Triple Swing p.40



Double Swing p.41



Towel Tree p.41



6 Bar Ladder p.40



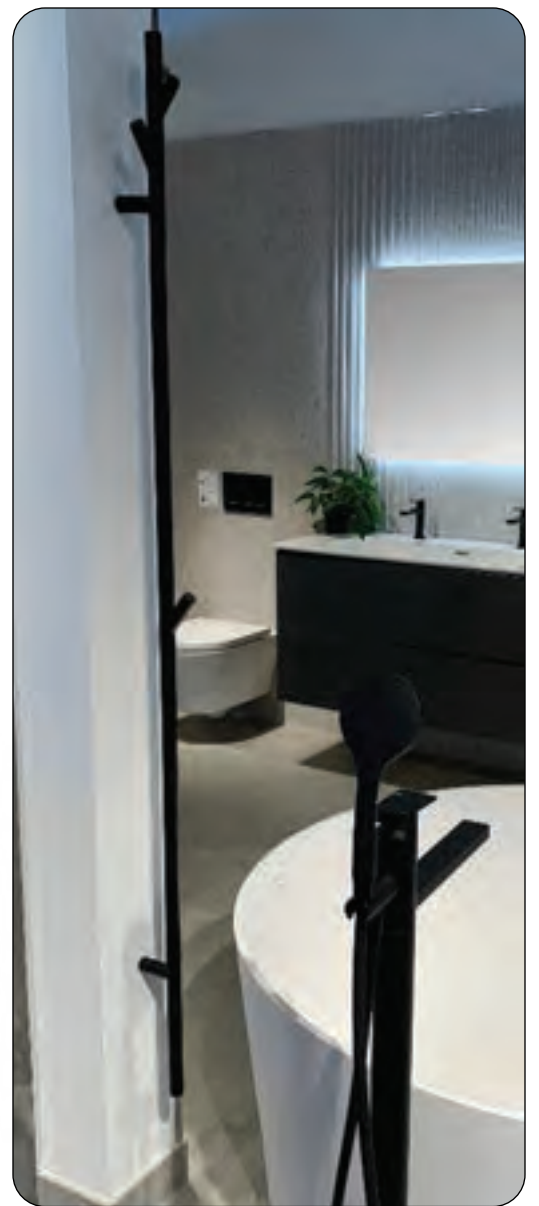
8 Bar Ladder p.40



8 Bar Ladder p.40



8 Bar Ladder p.41



Floor Stand p.44



Floor Stand p.44



Floor Stand p.44

fold it or hang it



Lincoln p.43



Flat Bar p.42



Classic-R p.42



Hero p.42



Tyme p.42



Triple Bar p.43

LALOO SELECTION

PAPER HOLDERS



floor



9001N p.45



9007N p.45

space



3155 p.46



5305 p.47

shelf



8089 p.46



9200 p.46

double



3025 p.47



4005 p.47

May 2023



Ash p.2



Classic-R p.4



Draft p.8



Hero p.16



Steele II p.26



CoCo p.6



Draft p.8



Eaton p.10



Farrow p.12



Gravity p.14



Hero p.16



Jazz p.18



Lincoln p.20



Payton p.22



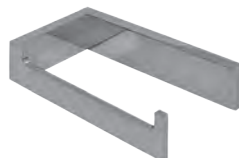
Radius p.24



Steele II p.26



Tyme p.28



Upton p.30



Wynn p.32



Yukon p.34

LALOO Selection

Hooks



RZHook p.56



7118-1 p.55



7115-1 p.54



7116-1 p.52



SRZHook p.56



K9382 p.54

double



2605-2 p.53



7115-2 p.54



7116-2 p.52



Lincoln p.20

triple



7118-3 p.55



8156-3 p.53

quad



2605-4 p.53



7115-4 p.54



7116-4 p.52

hinged



8127 p.53



8654 p.52

collections



Ash p.2



Classic-R p.4



CoCo p.6



Draft p.8



Eaton p.10



Farrow p.12



Gravity p.14



Hero p.16



Jazz p.18



Lincoln p.20



Payton p.22



Radius p.24



Steele II p.26



Tyme p.28



Upton p.30



Wynn p.32



Yukon p.34



LALOO Selection

GRAB BARS - ADA Safety AND DECORATIVE



S3218ADA p.59



S3224ADA p.59



R3218ADA p.59



R3224ADA p.59

ADA
COMPLIANT



D7136ADA p.61



7112ADA p.60



7118ADA p.60



7124ADA p.60



D7112ADA p.61



D7118ADA p.61



D7124ADA p.61



1012 p.63



1013 p.63



2602 p.62



6029 p.62

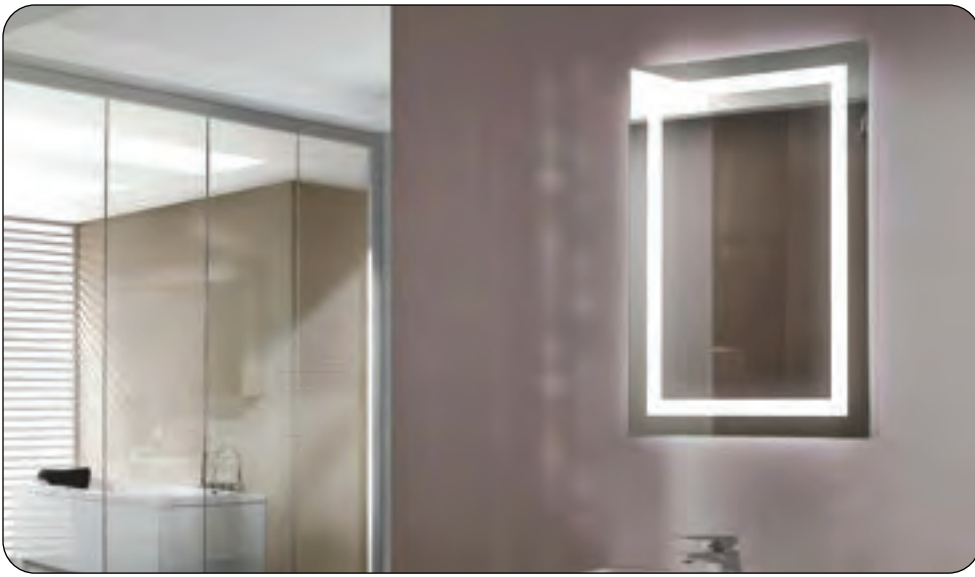


3218 p.63



3224 p.63

May 2023



LALOO SELECTION

MIRRORS

anti-fog mats



AF400300
p.72



AF600300
p.72



AF600500
p.72

bevel



M00169
p.73



M01206
p.73



M30007
p.75



M30009
p.74



M30009L
p.74



M31007
p.74



M31007L
p.74



H70008
p.75



H70010
p.75

led



H00501LD
p.71



H00514L
p.71



M00515LA
p.68



M00519LAD
p.69



M00532LD
p.69



M00536LA
p.70



H02130L
p.71



H02436LD
p.70



M02436LAD
p.68



M042365LAD p.69



M03628LA
p.68



M04828LAD
p.69

mirrors with texture



Q20M24
p.77



Q20M30
p.77



M00315
p.76



M00561
p.76



M00633
p.76



H002436
p.77



M22005
p.76



M00147
p.78



M00147V
p.78



H00164
p.79



H00165
p.79



M00198
p.79



M26001A
p.78



M31005
p.78

mirrors with shelving

magnification mirrors



2010BN
p.81



2016
p.82



2020
p.81



2020H
p.81



2025
p.82



2035
p.80



2035H
p.80



2045
p.80



2045H
p.80



2103
p.82



2811
p.82

“the secret of getting ahead is getting started”

... Mark Twain

Display LaLOO product.

Sell product, create profits and increase margins.



Show products that are in demand in your market. You know your customer.

You can make marketing decisions that are best for your company.

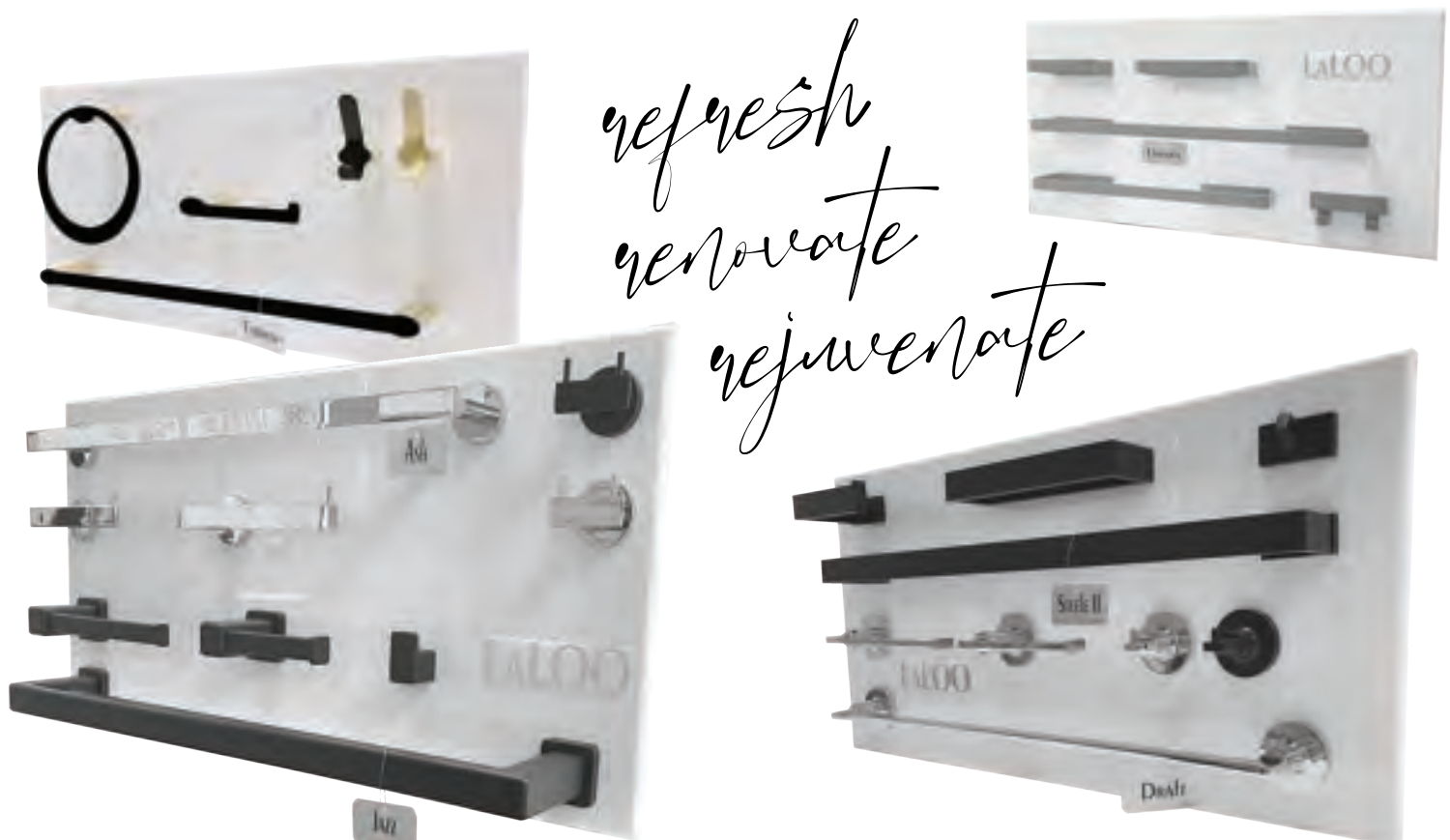
Show products that your customers will be motivated to buy.

LaLOO display boards are customized to meet your expectations.

<https://documents.laloo.ca/view/391449962>

Download Display Brochure

May 2023



LALOO Collection Index



Ash - p. 2



Classic-R - p. 4



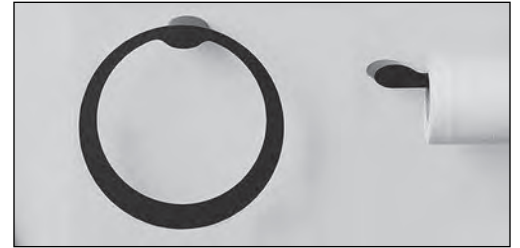
CoCo - p. 6



Draft - p. 8



Eaton - p. 10



Farrow - p. 12



Gravity - p. 14



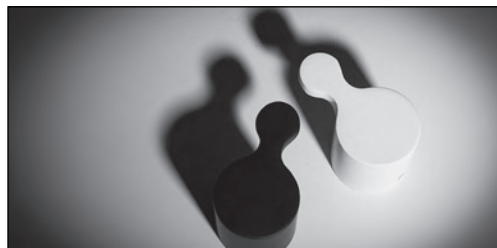
Hero - p. 16



Jazz - p. 18



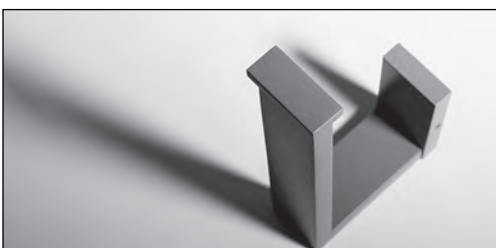
Lincoln - p. 20



Payton - p. 22



Radius - p. 24



Steele II - p. 26



Tyme - p. 28



Upton - p. 30



Wynn - p. 32



Yukon - p. 34



Installing Accessories - p. 36

Ash

THE LOOK ... ELEMENTAL THE FEELING ... GROUNDED

STOCK - Boldface / Special Finish 4 weeks

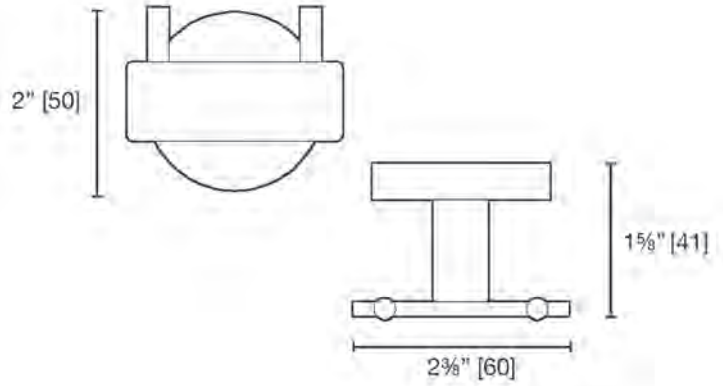


Ash Double Robe Hook

Install multiple hooks inside the shower for sponges, loofahs and wash cloths.

A6982 _____
(add finish code)

C 50 | **MB 67**



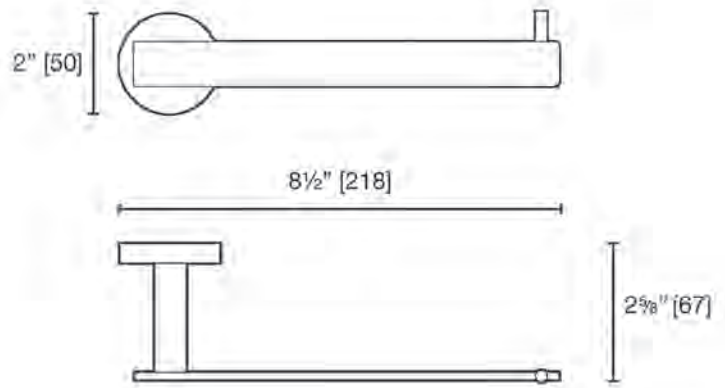
Ash Hand Towel Bar

Towel hanging space 6⁷/₈" [174]



A6980 _____
(add finish code)

C 83 | **MB 108**



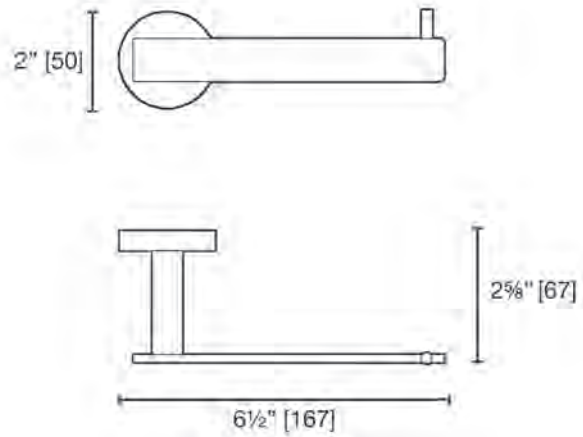
Ash Paper Holder

Inside paper width 4³/₄" [122]



A6986 _____
(add finish code)

C 76 | **MB 98**



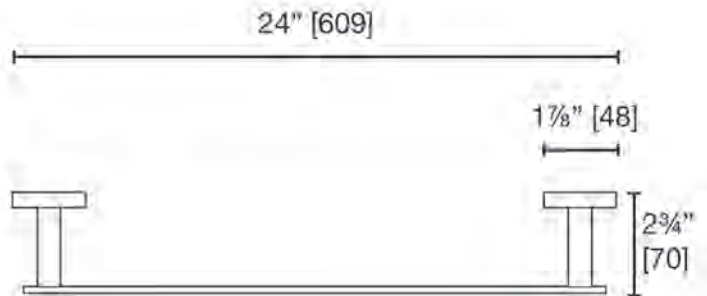
Ash Single Towel Bar

Towel hanging space 21¹/₂" [546]



A6924 _____
(add finish code)

C 167 | **MB 217**



May 2023

C Chrome **CG** Chrome with Stone Grey **CM** Chrome with Matte Black **CW** Chrome with White Frost
MB Matte Black **MC** Matte Black with Chrome **MG** Matte Black with Brushed Gold **SG** Stone Grey **WF** White Frost
BN Brushed Nickel **PN** Polished Nickel **BG** Brushed Gold **GD** Polished Gold

Contemporary design will complement



grab and go

The **Ash Essential Bathroom Accessory Sets** are perfect for Cash and Carry.

Contact your LaLOO representative for special pricing.

service@laloo.ca

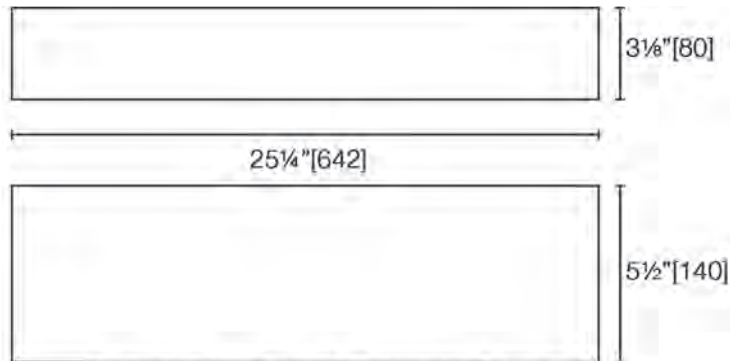
Ash Essential Accessory Set

Box set includes: 2 x Double Hooks
1 x Single Bar
1 x Hand Towel Bar
1 x Paper Holder



A6900 _____
(add finish code)

C 370 | MB 481



Carton information: 15 Boxes per Carton
Weight - 56.4 lbs. 26" x 18" x 17 1/2"



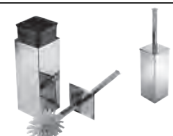
... complete a look



H00501LD p.71



2103 p.82



9300 p.66

Use metric dimensions for greatest accuracy.
Specifications are subject to change without notice.

Classic-R THE look ... ENCIRCLED THE FEELING ... CONTENT

STOCK - Boldface / Special Finish 4 weeks

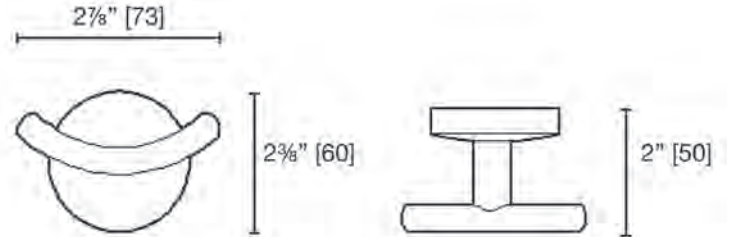
Classic-R Double Robe Hook

Perfect accessory for any room in the house.



CR3882 _____
(add finish code)

C **41** | **BN** **52**



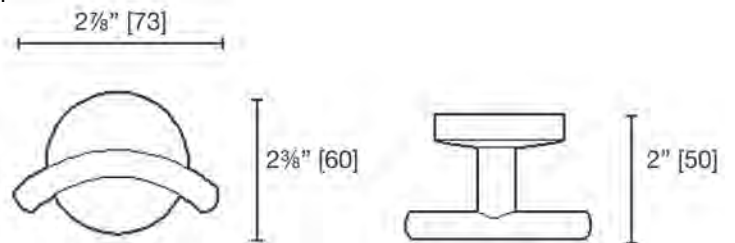
Classic-R Double Robe Hook

Inverted hook, perfect for bath robes.



CR3882I _____
(add finish code)

C **41** | **BN** **52**



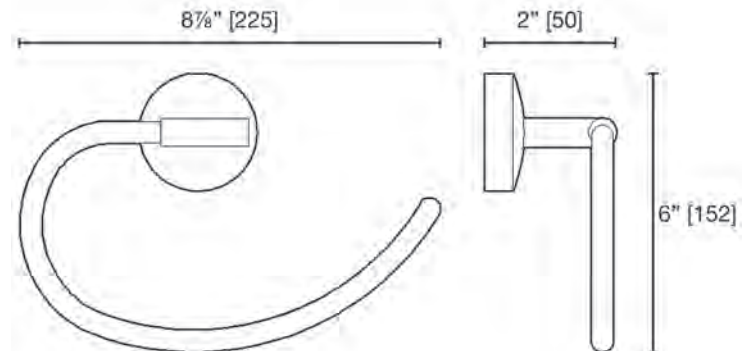
Classic-R Towel Ring

Towel hanging space 5" [128]



CR3880 _____
(add finish code)

C **59** | **BN** **81**



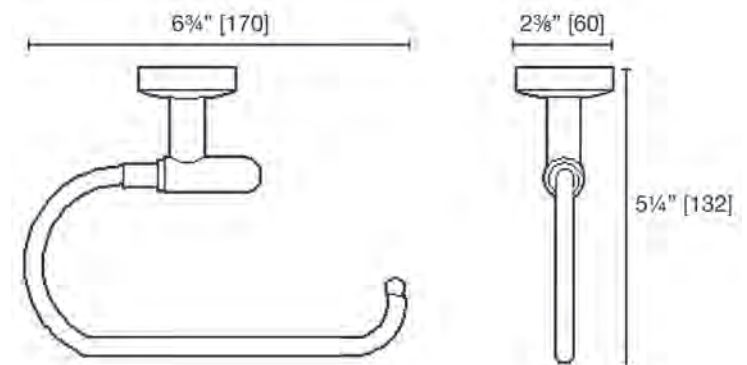
Classic-R Paper Holder

Inside paper width 4 3/8" [111]



CR3886 _____
(add finish code)

C **52** | **BN** **69**



May 2023

C Chrome **CG** Chrome with Stone Grey **CM** Chrome with Matte Black **CW** Chrome with White Frost

MB Matte Black **MC** Matte Black with Chrome **MG** Matte Black with Brushed Gold **SG** Stone Grey **WF** White Frost

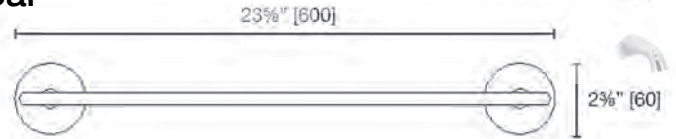
BN Brushed Nickel **PN** Polished Nickel **BG** Brushed Gold **GD** Polished Gold

Contemporary design will complement



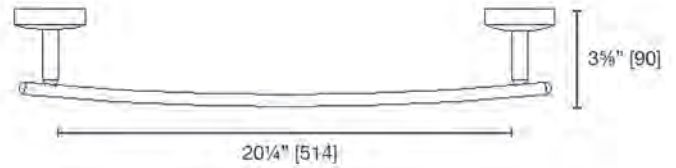
Classic-R Single Towel Bar

Towel hanging space 20¼" [514]



CR3824 _____
(add finish code)

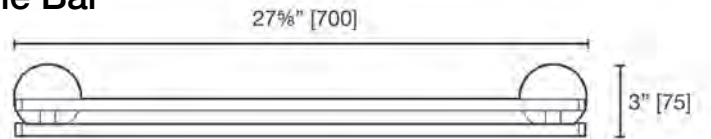
C 111 | BN 144



Classic-R Extended Double Bar

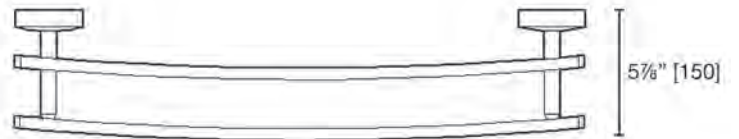
Towel hanging space (front) 24" [610]

Towel hanging space (rear) 24" [610]



CR3830D _____
(add finish code)

C 199 | BN 255



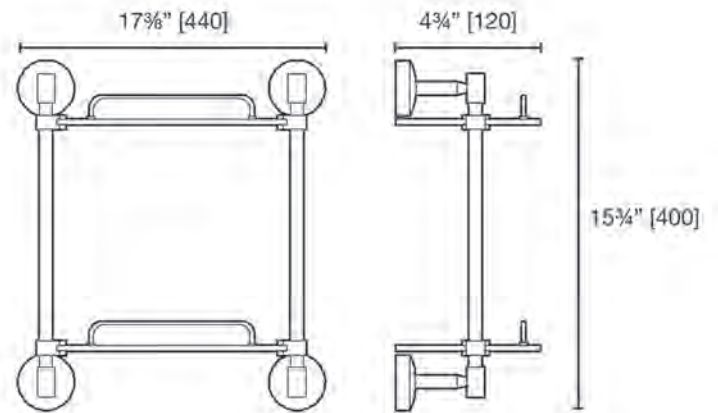
Classic-R Double Shelf

clear shelf
(replacement shelf PCR3852 GS is available on page 84)



CR3852 C

C 264



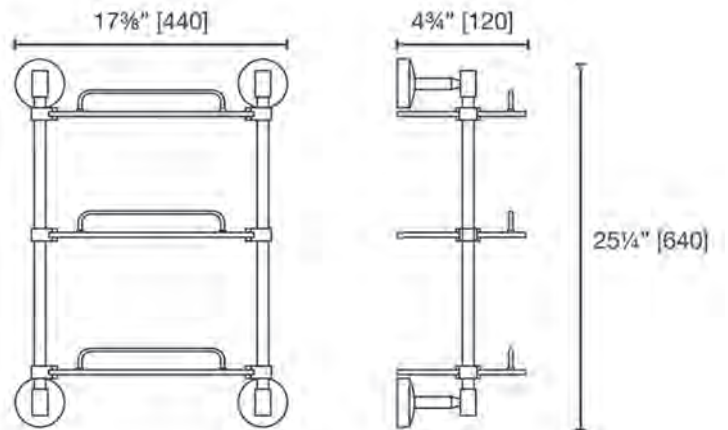
Classic-R Triple Shelf

clear shelf
(replacement shelf PCR3853 GS is available on page 84)



CR3853 C

C 317



... complete a look



7000 p.64



CR3862 p.42



H70008 p.75

Use metric dimensions for greatest accuracy.
Specifications are subject to change without notice.

THE LOOK ... ELEGANT THE FEELING ... CHARMING

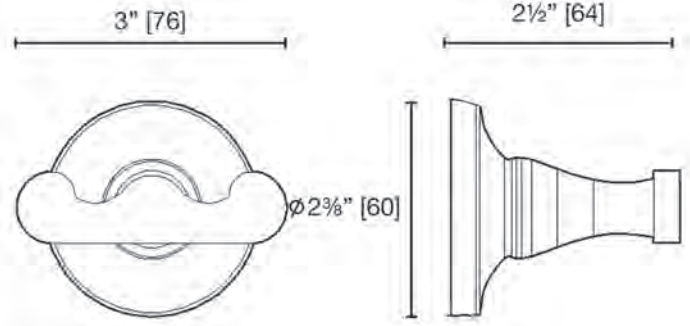
CoCo Double Robe Hook

Parade multiple hooks in a row for an alternative solution to towel storage in the family bathroom.



C7382 _____
(add finish code)

| | | | |
|----------|-----------|-----------|-----------|
| C | 46 | BN | 69 |
| | | <i>PN</i> | 69 |
| | | BG | 87 |
| | | <i>GD</i> | 87 |



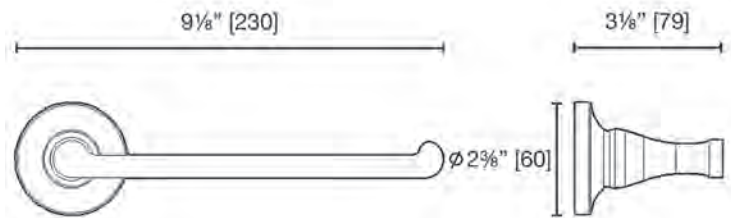
CoCo Hand Towel Bar

Towel hanging space 6 5/8" [170]



C7380 _____
(add finish code)

| | | | |
|----------|-----------|-----------|------------|
| C | 99 | BN | 135 |
| | | <i>PN</i> | 135 |
| | | BG | 178 |
| | | <i>GD</i> | 178 |



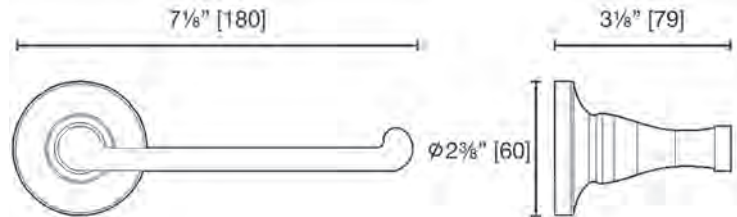
CoCo Paper Holder

Inside paper width 4 3/4" [121]



C7386 _____
(add finish code)

| | | | |
|----------|-----------|-----------|------------|
| C | 83 | BN | 118 |
| | | <i>PN</i> | 118 |
| | | BG | 153 |
| | | <i>GD</i> | 153 |



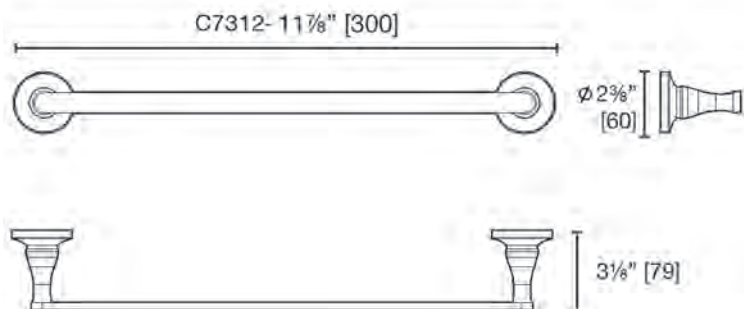
CoCo Single Bar [Small]

Towel hanging space 8 5/8" [219]



C7312 _____
(add finish code)

| | | | |
|----------|------------|-----------|-----|
| C | 137 | <i>BN</i> | 186 |
| | | <i>PN</i> | 186 |
| | | <i>BG</i> | 249 |
| | | <i>GD</i> | 249 |



May 2023

C Chrome **CG** Chrome with Stone Grey **CM** Chrome with Matte Black **CW** Chrome with White Frost

MB Matte Black **MC** Matte Black with Chrome **MG** Matte Black with Brushed Gold **SG** Stone Grey **WF** White Frost

BN Brushed Nickel **PN** Polished Nickel **BG** Brushed Gold **GD** Polished Gold

Contemporary design will complement

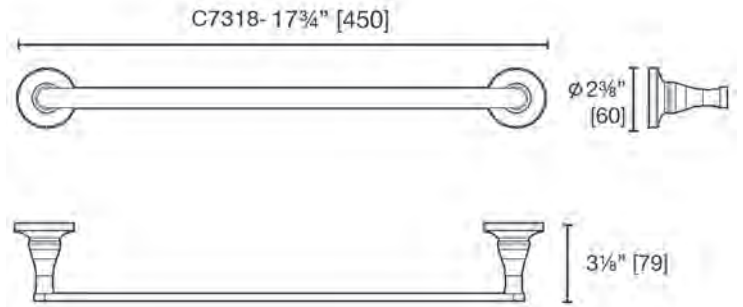
CoCo Single Bar [Medium]

Towel hanging space 14⁵/₈" [371]



C7318 _____
(add finish code)

| | | | |
|----------|------------|-----------|------------|
| C | 151 | <i>BN</i> | 208 |
| | | <i>PN</i> | 208 |
| | | <i>BG</i> | 278 |
| | | <i>GD</i> | 278 |



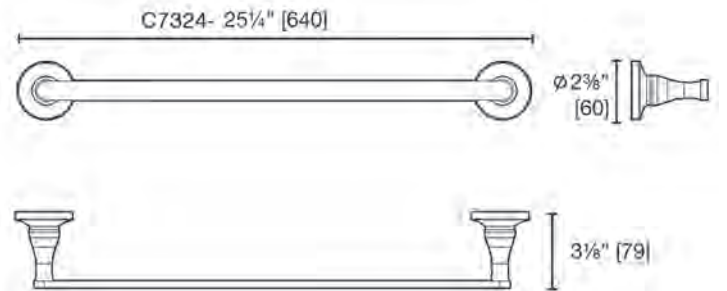
CoCo Single Towel Bar

Towel hanging space 22¹/₈" [563]



C7324 _____
(add finish code)

| | | | |
|----------|------------|-----------|------------|
| C | 162 | BN | 239 |
| | | <i>PN</i> | 239 |
| | | BG | 303 |
| | | <i>GD</i> | 303 |



CoCo Extended Double Bar

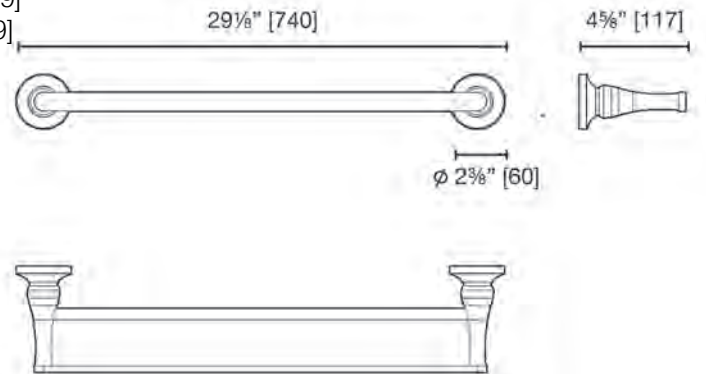
Towel hanging space (front bar) 25⁷/₈" [659]

Towel hanging space (rear bar) 25⁷/₈" [659]



C7330D C

C **232**



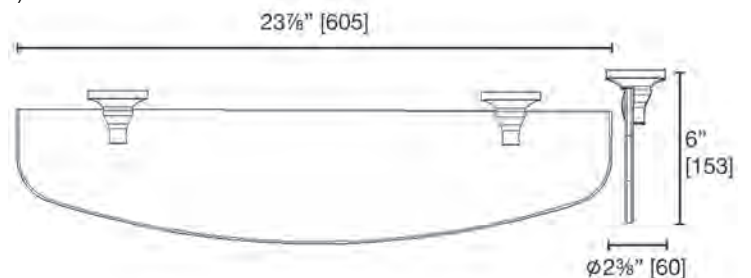
CoCo Single Glass Shelf

Floating wall brackets with clear glass
(replacement shelves are on page 84)



C7387 _____
(add finish code)

| | | | |
|----------|------------|-----------|------------|
| C | 133 | <i>BN</i> | 182 |
| | | <i>PN</i> | 182 |
| | | <i>BG</i> | 237 |
| | | <i>GD</i> | 237 |



... complete a look



8127 p.53



2035 p.80



3381 p.48

DRAFT

THE LOOK ... ENGINEERED THE FEELING ... INDEPENDENT

STOCK - Boldface / Special Finish 4 weeks

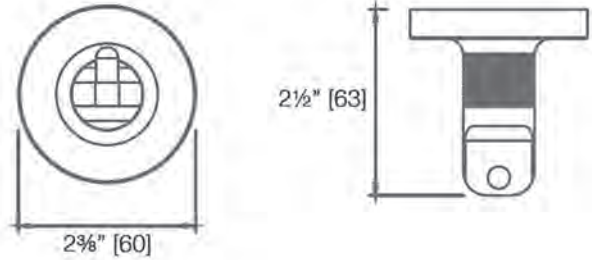


Draft Single Robe Hook

Add a collection of Draft hooks to your hobby centre for all tools you want hanging within reach.

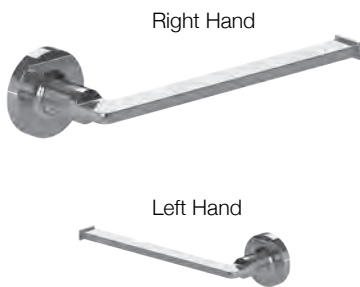
D7182 _____
(add finish code)

| | | | | | |
|-----------|-----------|-----------|-----------|-----------|-----|
| C | 60 | MB | 77 | <i>BN</i> | 87 |
| <i>CG</i> | 66 | MC | 69 | <i>PN</i> | 87 |
| <i>CM</i> | 66 | MG | 95 | <i>BG</i> | 115 |
| <i>CW</i> | 66 | | | <i>GD</i> | 115 |



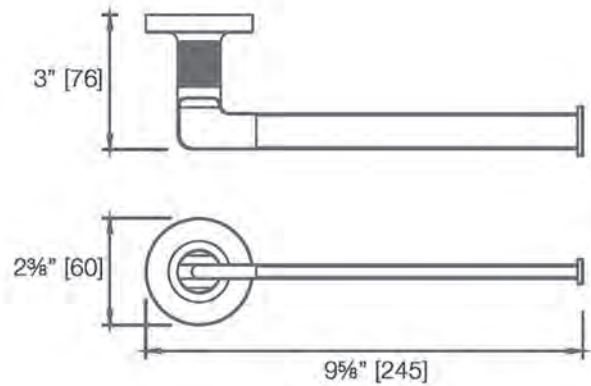
Draft Hand Towel Bar

Towel hanging space 7 7/8" [199]
D7180RH - right hand opening
D7180LH - left hand opening



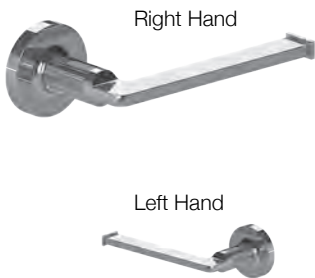
D7180RH _____ **D7180LH** _____
(add finish code)

| | | | | | |
|-----------|------------|-----------|------------|-----------|-----|
| C | 108 | MB | 146 | <i>BN</i> | 159 |
| <i>CG</i> | 119 | MC | 147 | <i>PN</i> | 159 |
| <i>CM</i> | 119 | MG | 167 | <i>BG</i> | 205 |
| <i>CW</i> | 119 | | | <i>GD</i> | 205 |



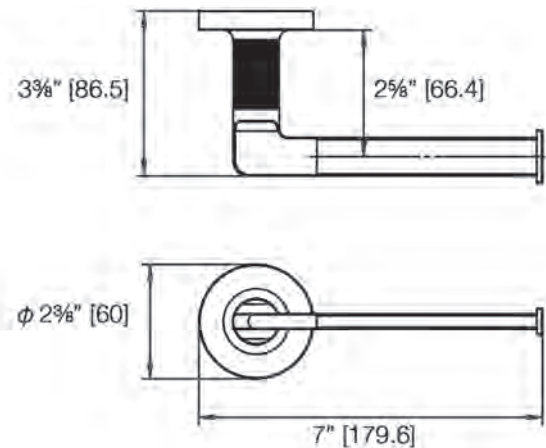
Draft Paper Holder

Inside paper width 5 1/4" [134]
D7186RH - right hand opening
D7186LH - left hand opening



D7186RH _____ **D7186LH** _____
(add finish code)

| | | | | | |
|-----------|------------|-----------|------------|-----------|-----|
| C | 106 | MB | 139 | <i>BN</i> | 156 |
| <i>CG</i> | 117 | MC | 131 | <i>PN</i> | 156 |
| <i>CM</i> | 117 | MG | 151 | <i>BG</i> | 202 |
| <i>CW</i> | 117 | | | <i>GD</i> | 202 |



NEW
August

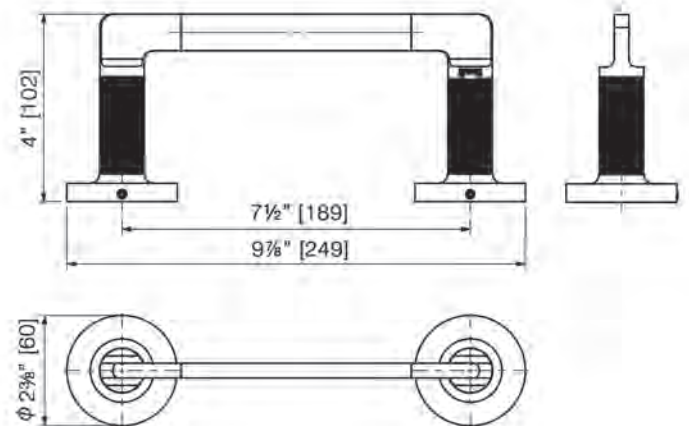
Draft Pivot Paper Holder

Pivot, load and lock
Inside paper width 6" [153]



D7186P _____
(add finish code)

| | | | | | |
|-----------|------------|-----------|------------|-----------|-----|
| C | 152 | MB | 209 | <i>BN</i> | 199 |
| <i>CG</i> | 167 | MC | 199 | <i>PN</i> | 199 |
| <i>CM</i> | 167 | MG | 217 | <i>BG</i> | 245 |
| <i>CW</i> | 167 | | | <i>GD</i> | 245 |



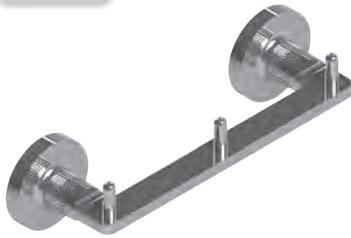
C Chrome **CG** Chrome with Stone Grey **CM** Chrome with Matte Black **CW** Chrome with White Frost
MB Matte Black **MC** Matte Black with Chrome **MG** Matte Black with Brushed Gold **SG** Stone Grey **WF** White Frost
BN Brushed Nickel **PN** Polished Nickel **BG** Brushed Gold **GD** Polished Gold

Contemporary design will complement

NEW
August

Draft Triple Robe Hook

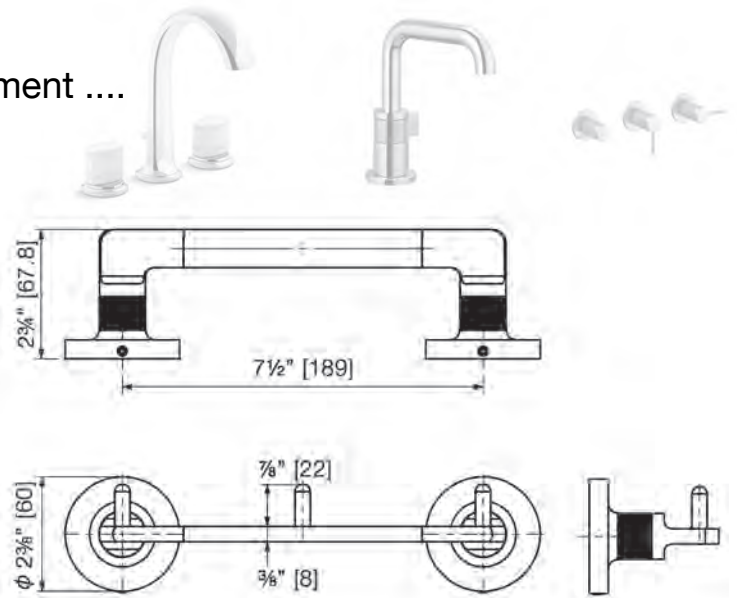
Install one hook...3 hanging options.



D7183 _____

(add finish code)

| | | | | | |
|-----------|------------|-----------|------------|-----------|-----|
| C | 166 | MB | 199 | <i>BN</i> | 219 |
| <i>CG</i> | 183 | MC | 189 | <i>PN</i> | 219 |
| <i>CM</i> | 183 | MG | 209 | <i>BG</i> | 275 |
| <i>CW</i> | 183 | | | <i>GD</i> | 275 |



Draft Single Towel Bar - Medium

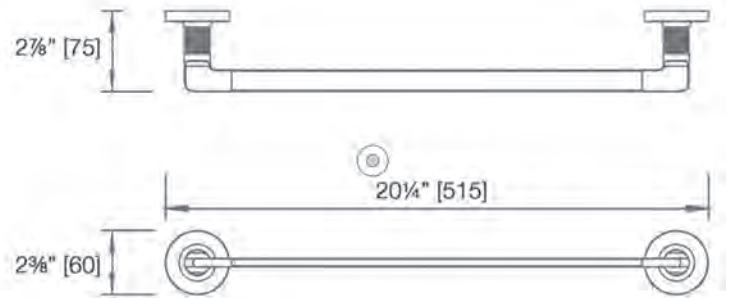
Towel hanging space 16 7/8" [430]



D7118 _____

(add finish code)

| | | | | | |
|-----------|------------|-----------|------------|-----------|-----|
| C | 192 | MB | 249 | <i>BN</i> | 287 |
| <i>CG</i> | 211 | MC | 238 | <i>PN</i> | 287 |
| <i>CM</i> | 211 | MG | 263 | <i>BG</i> | 354 |
| <i>CW</i> | 211 | | | <i>GD</i> | 354 |



Draft Single Towel Bar

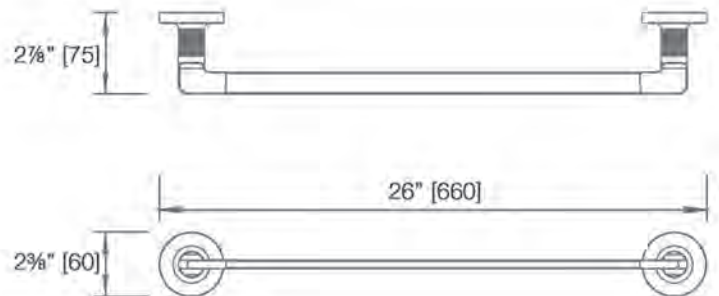
Towel hanging space 22 5/8" [575]



D7124 _____

(add finish code)

| | | | | | |
|-----------|------------|-----------|------------|-----------|-----|
| C | 217 | MB | 283 | <i>BN</i> | 315 |
| <i>CG</i> | 239 | MC | 272 | <i>PN</i> | 315 |
| <i>CM</i> | 239 | MG | 298 | <i>BG</i> | 392 |
| <i>CW</i> | 239 | | | <i>GD</i> | 392 |



Draft Extended Double Towel Bar

Towel hanging space (front bar) 26 1/2" [674]

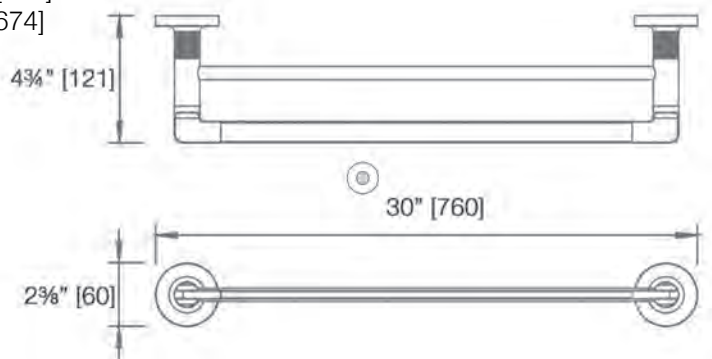
Towel hanging space (rear bar) 26 1/2" [674]



D7130D _____

(add finish code)

| | | | | | |
|-----------|------------|-----------|------------|-----------|-----|
| C | 275 | MB | 359 | <i>BN</i> | 379 |
| <i>CG</i> | 303 | MC | 347 | <i>PN</i> | 379 |
| <i>CM</i> | 303 | MG | 378 | <i>BG</i> | 486 |
| <i>CW</i> | 303 | | | <i>GD</i> | 486 |



... complete a look



D7112ADAC p.61



D7136ADAC p.61

Use metric dimensions for greatest accuracy.
Specifications are subject to change without notice.

EATON THE look ... PURE THE FEELING ... ACCOMPLISHED

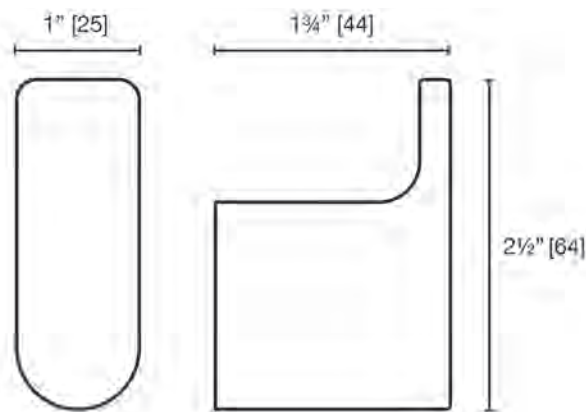


Eaton Single Robe Hook

*Note that the mounting set screw is on the lower right side of the hook. This requisite position is due to the curvature of the bottom of the hook.

E1282 _____
(add finish code)

| | | | | | |
|----------|-----------|-----------|-----------|-----------|-----------|
| C | 46 | MB | 61 | BN | 66 |
| | | | | <i>PN</i> | 66 |
| | | | | <i>BG</i> | 81 |
| | | | | <i>GD</i> | 81 |

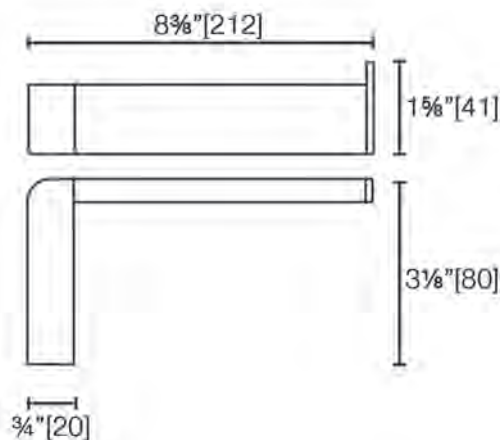


Eaton Hand Towel Bar

Towel hanging space 7 3/8" [187]

E1280 _____
(add finish code)

| | | | | | |
|----------|------------|-----------|------------|-----------|------------|
| C | 116 | MB | 151 | BN | 163 |
| | | | | <i>PN</i> | 163 |
| | | | | <i>BG</i> | 218 |
| | | | | <i>GD</i> | 218 |

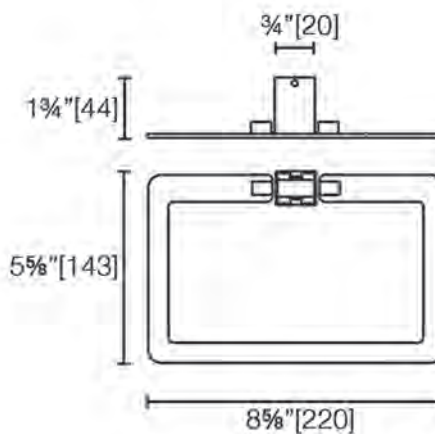


Eaton Towel Ring

Towel hanging space 7 1/2" [190]

E1280R _____
(add finish code)

| | | | | | |
|----------|------------|-----------|------------|-----------|------------|
| C | 174 | MB | 219 | BN | 244 |
| | | | | <i>PN</i> | 244 |
| | | | | <i>BG</i> | 316 |
| | | | | <i>GD</i> | 316 |

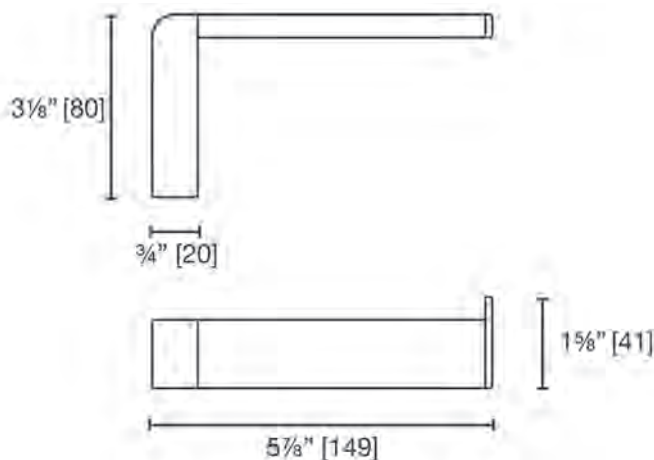


Eaton Paper Holder

Inside paper width 5" [128]

E1286 _____
(add finish code)

| | | | | | |
|----------|-----------|-----------|------------|-----------|------------|
| C | 95 | MB | 136 | BN | 139 |
| | | | | <i>PN</i> | 139 |
| | | | | <i>BG</i> | 186 |
| | | | | <i>GD</i> | 186 |



May 2023

C Chrome **CG** Chrome with Stone Grey **CM** Chrome with Matte Black **CW** Chrome with White Frost
MB Matte Black **MC** Matte Black with Chrome **MG** Matte Black with Brushed Gold **SG** Stone Grey **WF** White Frost
BN Brushed Nickel **PN** Polished Nickel **BG** Brushed Gold **GD** Polished Gold

Contemporary design will complement

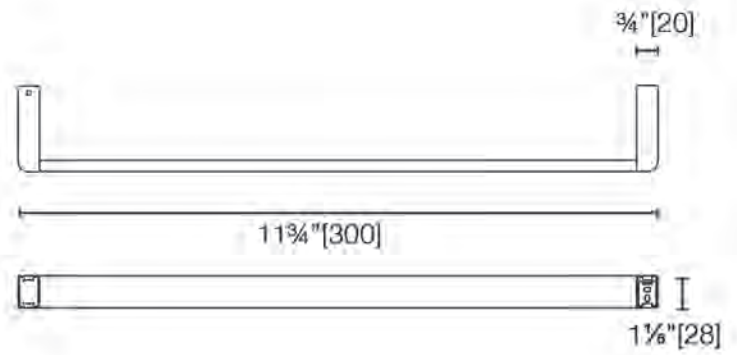


Eaton Single Towel Bar [Small]

Towel hanging space 10¼" [261]

E1212 _____
(add finish code)

| | | | | | |
|----------|------------|-----------|------------|-----------|-----|
| C | 136 | MB | 184 | BN | 187 |
| | | | | PN | 187 |
| | | | | BG | 249 |
| | | | | GD | 249 |

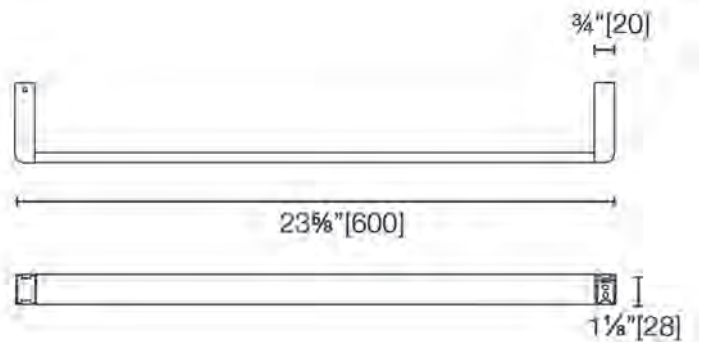


Eaton Single Towel Bar

Towel hanging space 22" [559]

E1224 _____
(add finish code)

| | | | | | |
|----------|------------|-----------|------------|-----------|------------|
| C | 162 | MB | 209 | BN | 233 |
| | | | | PN | 233 |
| | | | | BG | 309 |
| | | | | GD | 309 |



Eaton Extended Double Towel Bar

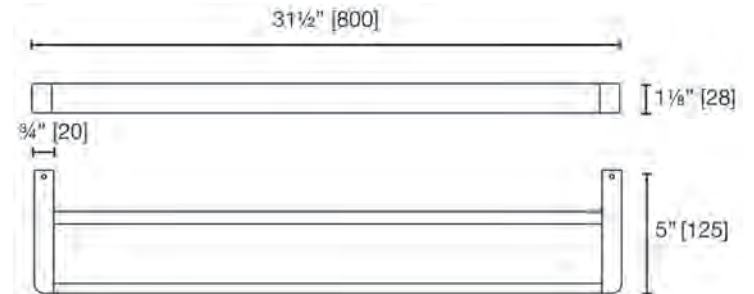
Towel hanging space (front bar) 29¾" [757]

Towel hanging space (rear bar) 29¾" [757]

**Ensure that at least one wall flange is secured to a stud or backing.*

E1230D C

C 307

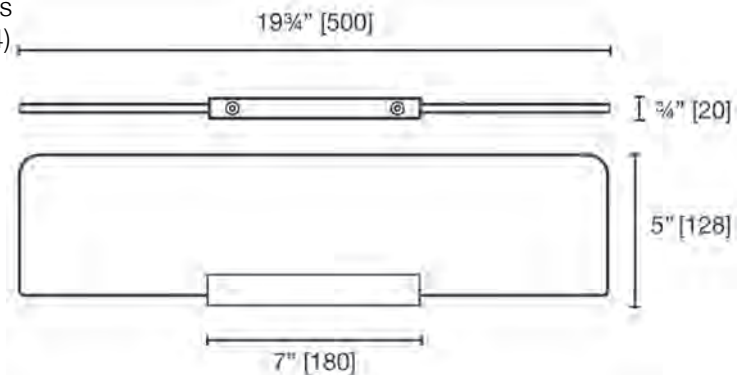


Eaton Single Glass Shelf

Floating wall brackets with clear glass
(replacement shelves are on page 84)

E1287 _____
(add finish code)

| | | | | | |
|----------|------------|-----------|------------|-----------|------------|
| C | 133 | MB | 177 | BN | 189 |
| | | | | PN | 189 |
| | | | | BG | 222 |
| | | | | GD | 222 |



S0200 p.57

... complete a look



7116-4 p.52



M00561 p.76

FARROW

THE LOOK ... **divINE** THE FEELING ... **mELLOW**

The Farrow accessory collection will complement faucets with an *elliptical single post*. Multiple hooks installed side by side are perfect for kitchen hand towels or tea towels.

The *Stone Grey* finish is an attractive accompaniment to concrete countertops and the *White Frost* complements white appliances.



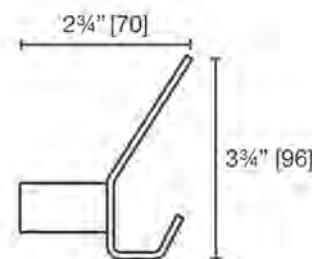
Farrow Double Robe Hook

A perfect hook for drying hand towels or tea towels in the kitchen. Complements many trending kitchen faucet designs.

F1482 _____

(add finish code)

| | | | | | |
|----------|-----------|-----------|------------|-----------|------------|
| C | 82 | MB | 111 | <i>BN</i> | 118 |
| | | MC | 104 | <i>PN</i> | 118 |
| | | <i>MG</i> | 131 | BG | 161 |
| | | <i>SG</i> | 111 | <i>GD</i> | 161 |
| | | <i>WF</i> | 111 | | |



May 2023



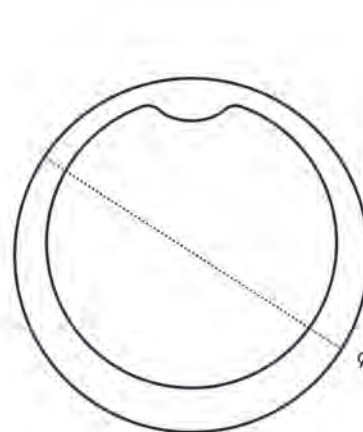
Farrow Towel Ring

Towel hanging space 6 3/8" [163]

F1480 _____

(add finish code)

| | | | | | |
|----------|------------|-----------|------------|-----------|------------|
| C | 163 | MB | 208 | <i>BN</i> | 224 |
| | | MC | 192 | <i>PN</i> | 224 |
| | | <i>MG</i> | 239 | BG | 295 |
| | | <i>SG</i> | 208 | <i>GD</i> | 295 |
| | | <i>WF</i> | 208 | | |



3 1/8" [80]



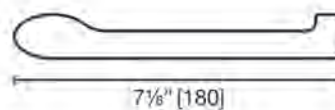
Farrow Paper Holder

Inside paper width 4 7/8" [124]

F1486 _____

(add finish code)

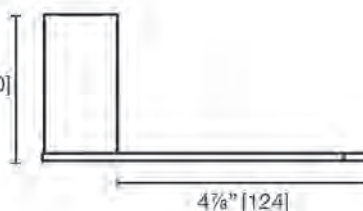
| | | | | | |
|----------|------------|-----------|------------|-----------|------------|
| C | 104 | MB | 133 | <i>BN</i> | 148 |
| | | MC | 126 | <i>PN</i> | 148 |
| | | <i>MG</i> | 159 | BG | 191 |
| | | <i>SG</i> | 133 | <i>GD</i> | 191 |
| | | <i>WF</i> | 133 | | |



1" [25]



3 1/8" [80]



4 7/8" [124]

C Chrome **CG** Chrome with Stone Grey **CM** Chrome with Matte Black **CW** Chrome with White Frost
MB Matte Black **MC** Matte Black with Chrome **MG** Matte Black with Brushed Gold **SG** Stone Grey **WF** White Frost
BN Brushed Nickel **PN** Polished Nickel **BG** Brushed Gold **GD** Polished Gold

Contemporary design will complement



Farrow accessories are available in two split finishes:

- *Matte Black with Chrome*
- *Matte Black with Brushed Gold*



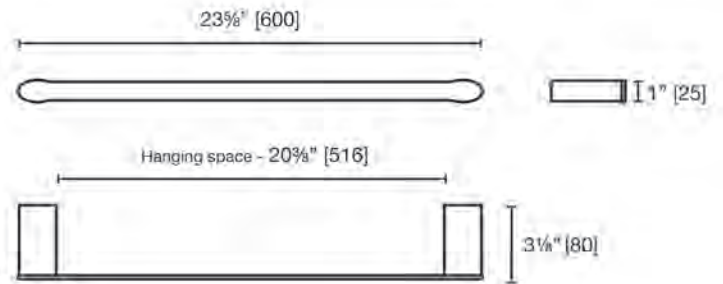
Farrow Single Towel Bar

Towel hanging space 20³/₈" [520]



F1424 _____
(add finish code)

| | | | |
|----------|------------|---------------|---------------|
| C | 211 | MB 279 | <i>BN</i> 302 |
| | | MC 256 | <i>PN</i> 302 |
| | | <i>MG</i> 317 | BG 381 |
| | | <i>SG</i> 279 | <i>GD</i> 381 |
| | | <i>WF</i> 279 | |



Farrow Double Towel Bar

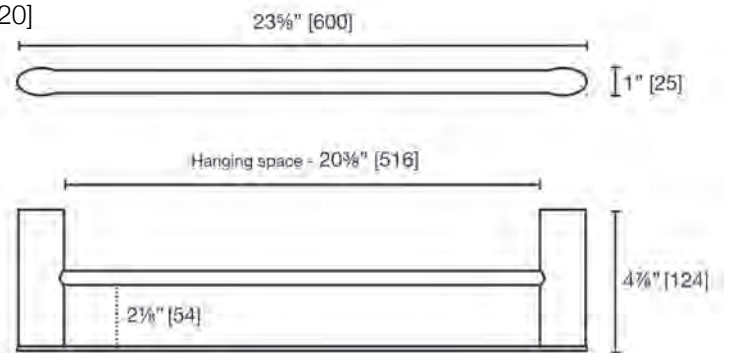
Towel hanging space (front bar) 20³/₈" [520]

Towel hanging space (rear bar) 20³/₈" [520]



F1424D C

C 258

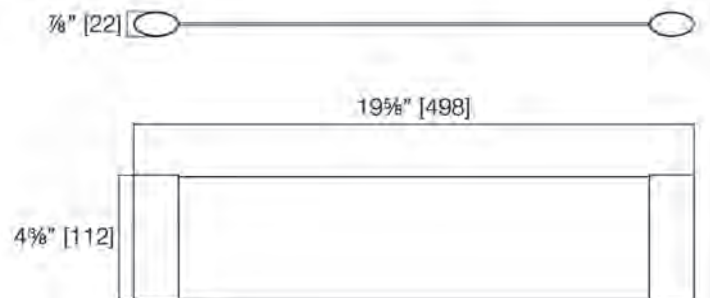


Farrow Shelf



F1487 C

C 168



... complete a look



3230R p.64



5611T p.51



H02130L p.71

GRAVITY

THE LOOK ... FORMED THE FEELING ... COMPOSED



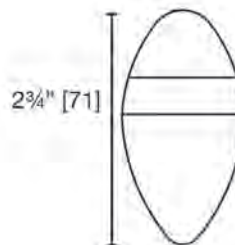
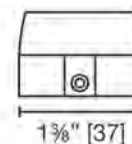
Gravity Single Robe Hook

Group multiple hooks in the walk-in closet for purse storage. Use hooks in the mud room to hang backpacks.

G5582

(add finish code)

| | | | | | |
|----------|-----------|-----------|----|-----------|-----------|
| C | 65 | <i>MB</i> | 86 | BN | 92 |
| | | <i>SG</i> | 86 | <i>PN</i> | 92 |
| | | <i>WF</i> | 86 | <i>BG</i> | 118 |
| | | | | <i>GD</i> | 118 |
| | | | | | |



May 2023

Gravity Towel Ring

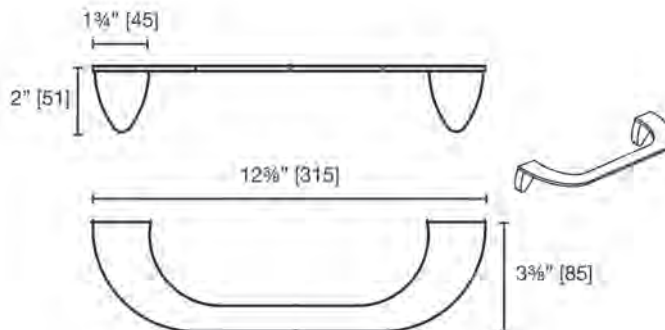
Towel hanging space 7 3/4" [198]



G5580

(add finish code)

| | | | | | |
|----------|------------|-----------|-----|-----------|------------|
| C | 190 | <i>MB</i> | 253 | BN | 263 |
| | | <i>SG</i> | 253 | <i>PN</i> | 263 |
| | | <i>WF</i> | 253 | <i>BG</i> | 369 |
| | | | | <i>GD</i> | 369 |
| | | | | | |



Gravity Paper Holder

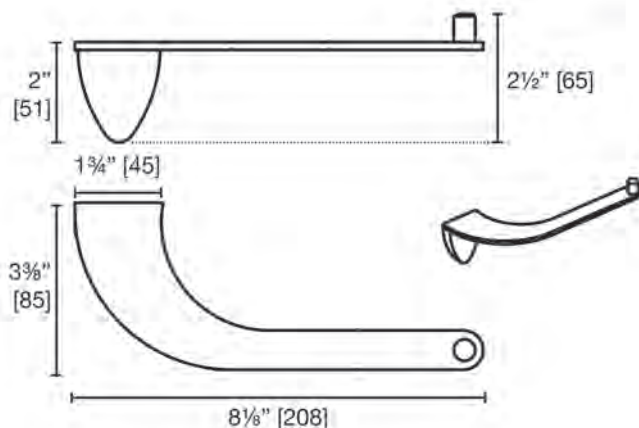
Inside paper width 5" [128]



G5586

(add finish code)

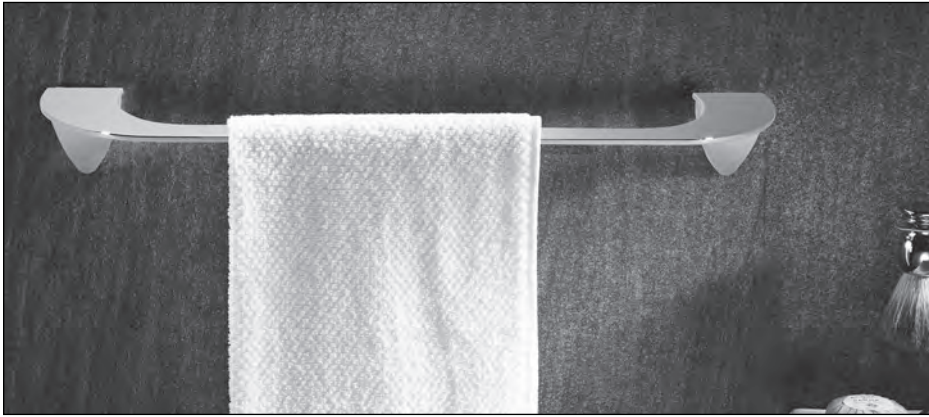
| | | | | | |
|----------|------------|-----------|-----|-----------|------------|
| C | 124 | <i>MB</i> | 158 | BN | 169 |
| | | <i>SG</i> | 158 | <i>PN</i> | 169 |
| | | <i>WF</i> | 158 | <i>BG</i> | 220 |
| | | | | <i>GD</i> | 220 |
| | | | | | |



C Chrome **CG** Chrome with Stone Grey **CM** Chrome with Matte Black **CW** Chrome with White Frost
MB Matte Black **MC** Matte Black with Chrome **MG** Matte Black with Brushed Gold **SG** Stone Grey **WF** White Frost
BN Brushed Nickel **PN** Polished Nickel **BG** Brushed Gold **GD** Polished Gold

MINIMALIST

design will complement



The V-shaped wall flanges add a soft contour to the bars which are slim and discreet.

The 5 piece collection is compact and grounded.

Gravity Single Towel Bar [Medium]

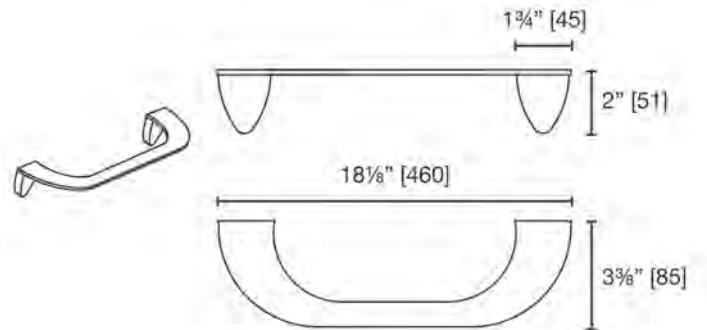
Towel hanging space 13¼" [338]



G5518 _____

(add finish code)

| | | | | |
|--------------|-----------|-----|-----------|-----|
| C 237 | <i>MB</i> | 305 | <i>BN</i> | 317 |
| | <i>SG</i> | 305 | <i>PN</i> | 317 |
| | <i>WF</i> | 305 | <i>BG</i> | 439 |
| | | | <i>GD</i> | 439 |
| | | | | |



Gravity Single Towel Bar

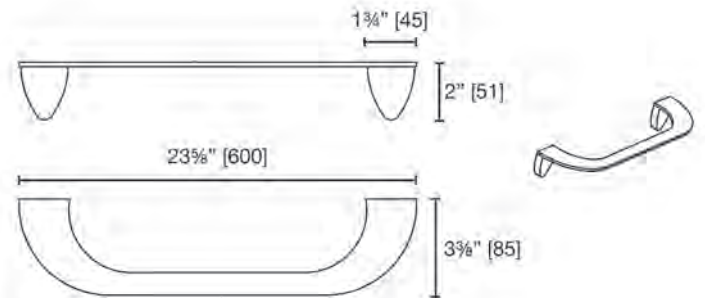
Towel hanging space 18¾" [460]



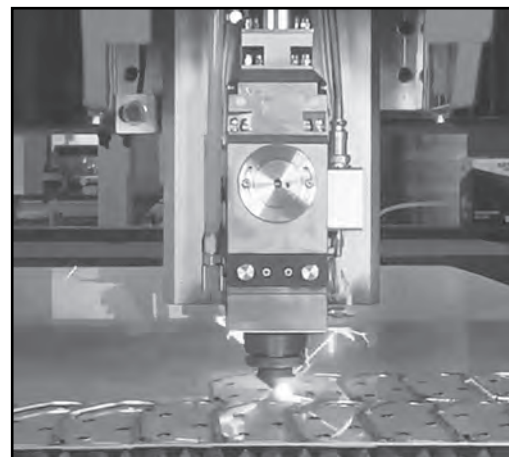
G5524 _____

(add finish code)

| | | | |
|--------------|-----------|-----|---------------|
| C 282 | <i>MB</i> | 364 | BN 377 |
| | <i>SG</i> | 364 | <i>PN 377</i> |
| | <i>WF</i> | 364 | <i>BG 481</i> |
| | | | <i>GD 481</i> |
| | | | |



The Gravity accessories are **laser cut** from a sheet of **solid brass**.



... complete a look



6029 p.62



3440 p.50



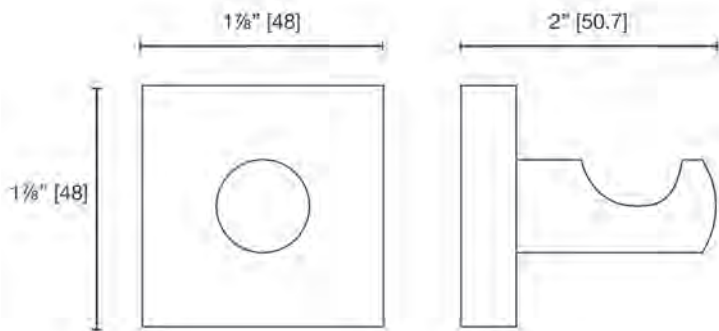
H00165 p.79

HERO THE LOOK ... bold THE FEELING ... dramatic



Hero Single Robe Hook

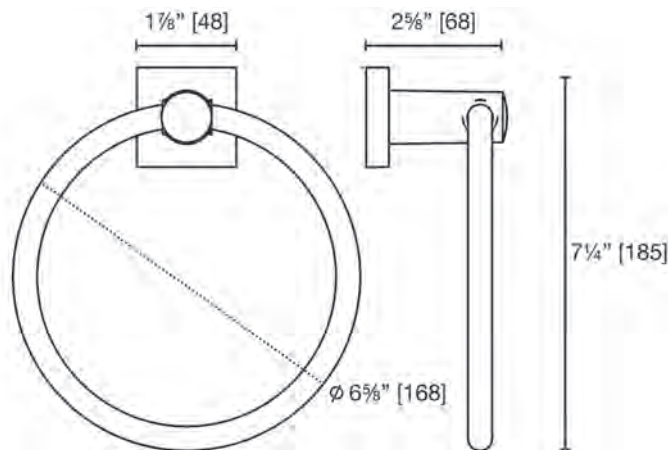
H2682 _____
 (add finish code)
C 41 | MB 54



Hero Towel Ring

Towel hanging space 5 7/8" [149]

H2680 _____
 (add finish code)
C 75 | MB 103



May 2023



H2686SRH

Hero Paper Holder (left hand and right hand)

Inside paper width 5 1/8" [131]

Hero Pivot Paper Holder

Inside paper width 4 7/8" [123]

H2686SLH _____ **H2686SRH** _____
 (add finish code)

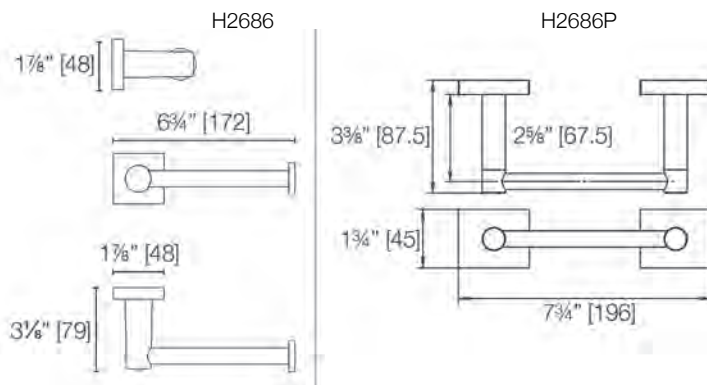
C 75 | MB 108



H2686P

H2686P _____
 (add finish code)

C 142 | MB 181

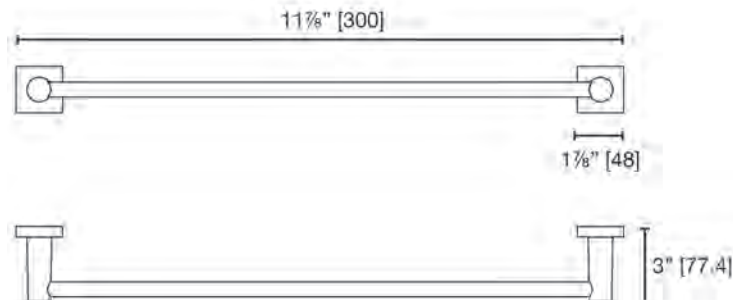


Hero Single Towel Bar [Small]

Towel hanging space 9 3/8" [237]

H2612 _____
 (add finish code)

C 102 | MB 137



C Chrome **CG** Chrome with Stone Grey **CM** Chrome with Matte Black **CW** Chrome with White Frost
MB Matte Black **MC** Matte Black with Chrome **MG** Matte Black with Brushed Gold **SG** Stone Grey **WF** White Frost
BN Brushed Nickel **PN** Polished Nickel **BG** Brushed Gold **GD** Polished Gold

Contemporary design will complement

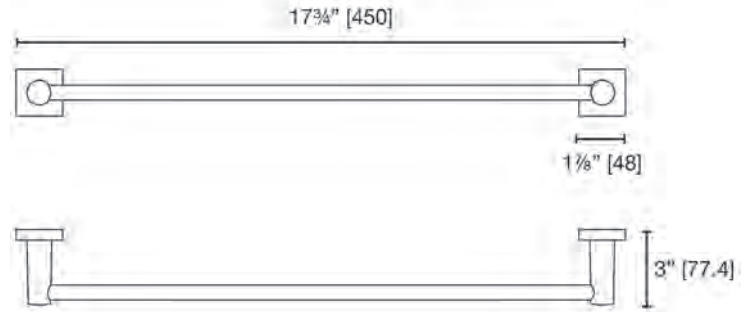


Hero Single Towel Bar [Medium]

Towel hanging space 15 1/8" [383]

H2618 _____
(add finish code)

C 114 | MB 163

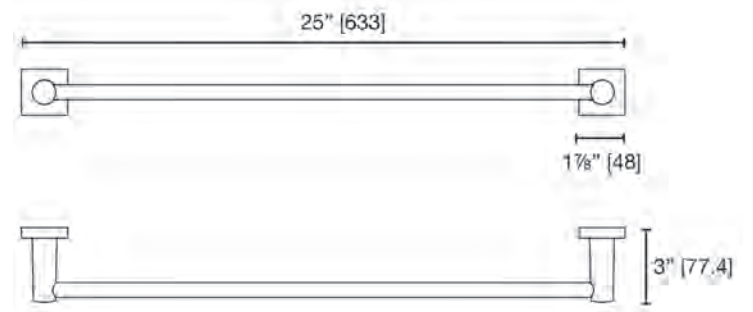


Hero Single Towel Bar

Towel hanging space 22 1/8" [563]

H2624 _____
(add finish code)

C 127 | MB 174



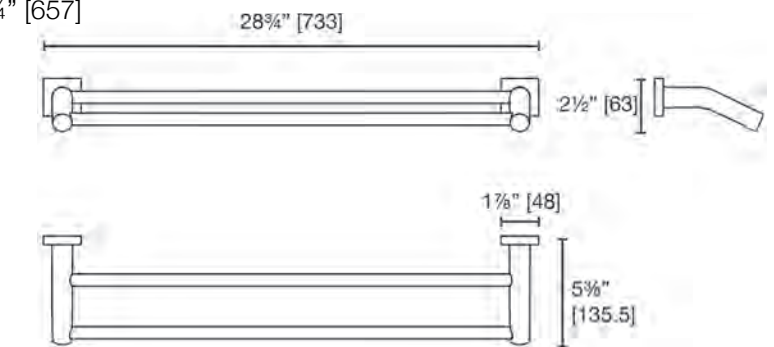
Hero Extended Double Towel Bar

Towel hanging space (front bar) 25 3/4" [657]

Towel hanging space (rear bar) 25 3/4" [657]

H2630D _____
(add finish code)

C 204 | MB 275

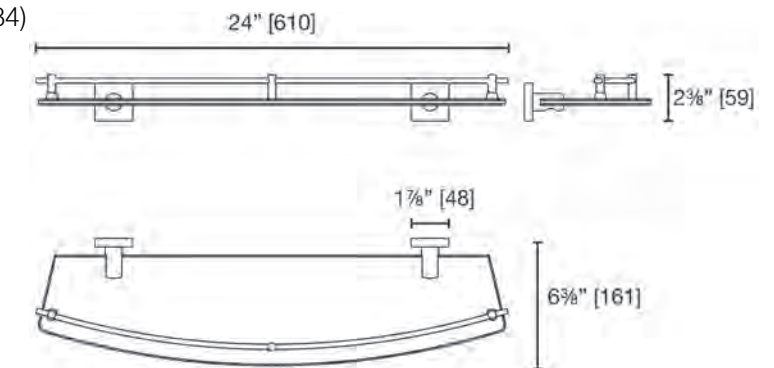


Hero Single Glass Shelf with railing

Floating wall brackets with clear glass
(replacement shelves are on page 84)

H2687 _____
(add finish code)

C 153 | MB 206



... complete a look



Use metric dimensions for greatest accuracy.
Specifications are subject to change without notice.

K9384 p.65

H2662 p.42

2045H p.80

JAZZ

THE look ... **BALANCED** THE FEELING ... **MAJESTIC**

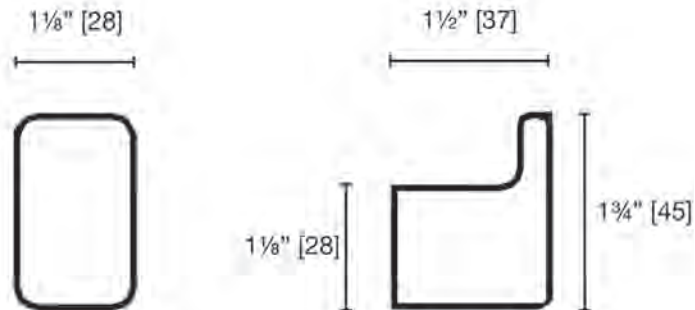


Jazz Single Robe Hook

The gently sculpted corners are a luxurious alternative to the chiseled lines synonymous with minimalist design.

J1882 _____
(add finish code)

| | | | | | |
|----------|-----------|-----------|----|-----------|-----------|
| C | 47 | MB | 59 | BN | 66 |
| | | | | PN | 66 |
| | | | | <i>BG</i> | 84 |
| | | | | <i>GD</i> | 84 |



J1880RH

Jazz Hand Towel Bar

Towel hanging space 7 3/4" [197]

J1880RH - right hand opening

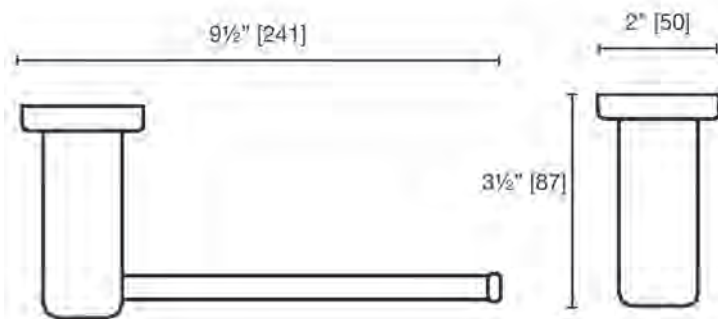
J1880LH - left hand opening



J1880LH

J1880RH _____ **J1880LH** _____
(add finish code)

| | | | | | |
|----------|------------|-----------|------------|-----------|------------|
| C | 109 | MB | 146 | BN | 158 |
| | | | | PN | 158 |
| | | | | <i>BG</i> | 199 |
| | | | | <i>GD</i> | 199 |



May 2023



J1886RH

Jazz Paper Holder

Inside paper width 4 1/2" [114]

J1886RH - right hand opening

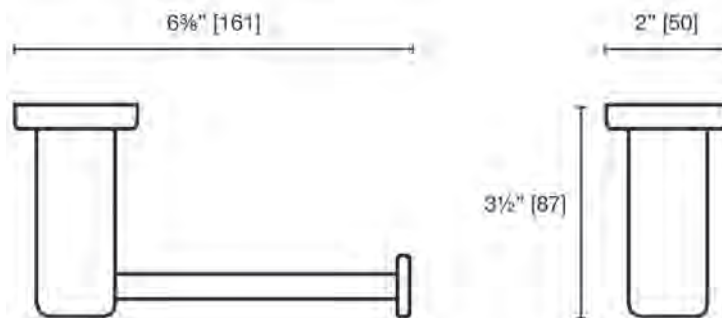
J1886LH - left hand opening



J1886LH

J1886RH _____ **J1886LH** _____
(add finish code)

| | | | | | |
|----------|------------|-----------|------------|-----------|------------|
| C | 103 | MB | 135 | BN | 146 |
| | | | | PN | 146 |
| | | | | <i>BG</i> | 192 |
| | | | | <i>GD</i> | 192 |

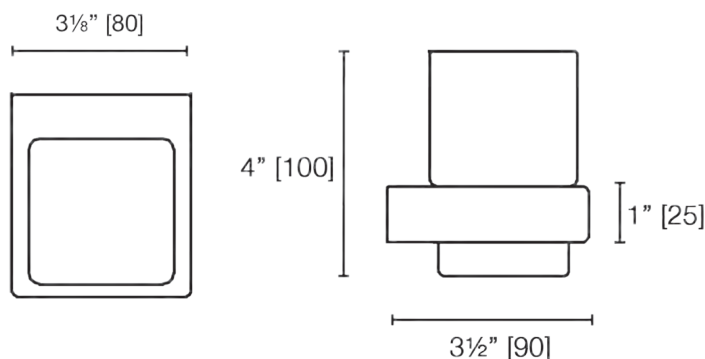


Jazz Tumbler and Holder

Replacement porcelain tumbler PTumbler S - page 86.

J1884 _____
(add finish code)

| | | | | | |
|----------|-----------|-----------|-----|-----------|-----|
| C | 99 | <i>MB</i> | 129 | <i>BN</i> | 135 |
| | | <i>SG</i> | 129 | <i>PN</i> | 135 |
| | | <i>WF</i> | 129 | <i>BG</i> | 183 |
| | | | | <i>GD</i> | 183 |



C Chrome **CG** Chrome with Stone Grey **CM** Chrome with Matte Black **CW** Chrome with White Frost

MB Matte Black **MC** Matte Black with Chrome **MG** Matte Black with Brushed Gold **SG** Stone Grey **WF** White Frost

BN Brushed Nickel **PN** Polished Nickel **BG** Brushed Gold **GD** Polished Gold

Contemporary design will complement



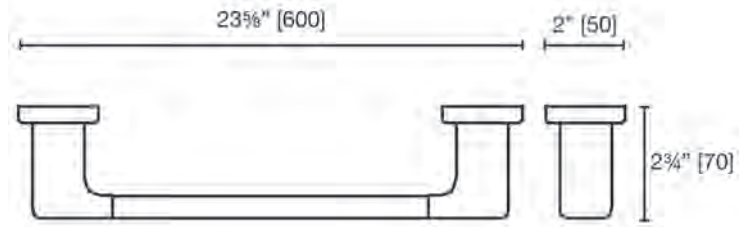
Jazz Single Towel Bar

Towel hanging space 20³/₈" [518]



J1824 _____
(add finish code)

| | | |
|--------------|---------------|---------------|
| C 214 | MB 271 | BN 294 |
| | | PN 294 |
| | | BG 385 |
| | | GD 385 |



Jazz Extended Double Towel Bar

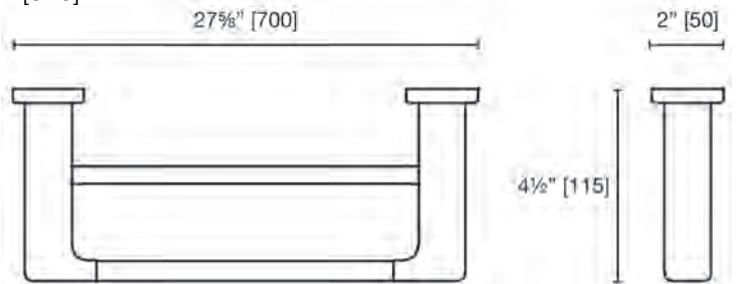
Towel hanging space (front bar) 23³/₈" [605]

Towel hanging space (rear bar) 24³/₈" [620]



J1830D _____
(add finish code)

| | | |
|--------------|---------------|---------------|
| C 289 | MB 331 | BN 317 |
|--------------|---------------|---------------|



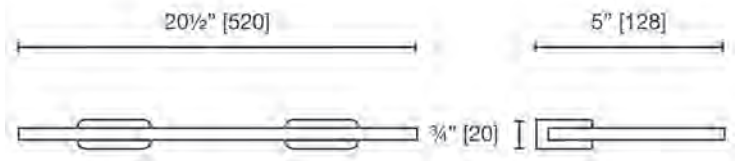
Jazz Single Glass Shelf

Floating wall brackets with clear glass
(replacement shelves are on page 84)



J1887 _____
(add finish code)

| | | |
|--------------|---------------|---------------|
| C 135 | MB 179 | BN 189 |
| | | PN 189 |
| | | BG 224 |
| | | GD 224 |



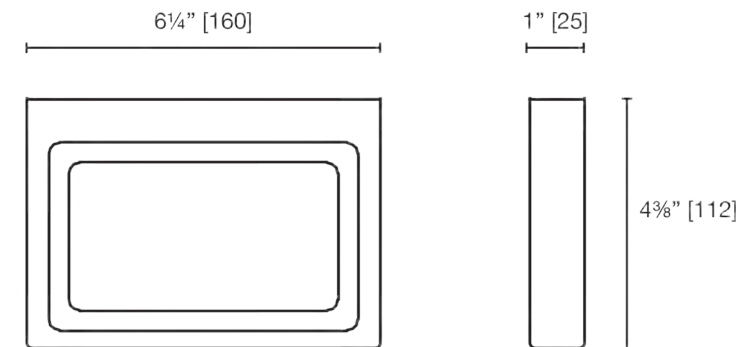
Jazz Soap Dish and Holder

Replacement porcelain dish PDish S - page 85



J1885 _____
(add finish code)

| | | |
|--------------|---------------|---------------|
| C 105 | MB 139 | BN 146 |
| | SG 139 | PN 146 |
| | WF 139 | BG 192 |
| | | GD 192 |



... complete a look



1012 p.63



9104 p.48



M00532LD p.69

Lincoln

THE LOOK ... GALLANT THE FEELING ... RESOLUTE

STOCK - Boldface / Special Finish 4 weeks



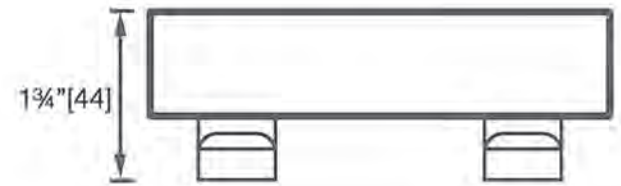
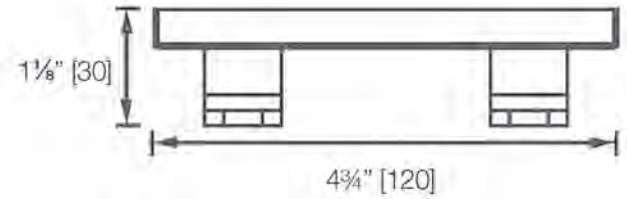
Lincoln Double Robe Hook

The double hook is versatile for many locations in the bathroom. Use it in the shower for loofahs and brushes, by the sink for hand towels, or next to the shower door for robes.

L6282

(add finish code)

| | | | | | |
|----------|-----------|-----------|------------|-----------|------------|
| C | 99 | MB | 125 | BN | 145 |
| | | SG | 125 | PN | 145 |
| | | WF | 125 | BG | 179 |
| | | | | GD | 179 |



Lincoln Towel Ring

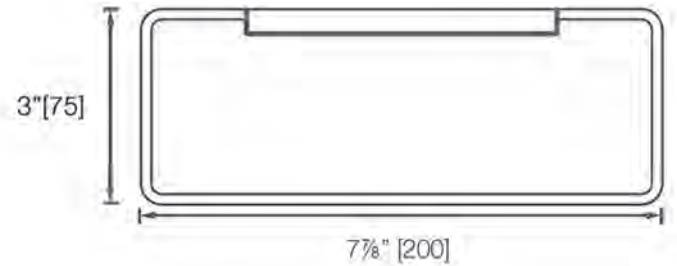
Towel hanging space 7 1/2" [192]



L6280

(add finish code)

| | | | | | |
|----------|------------|-----------|------------|-----------|------------|
| C | 146 | MB | 182 | BN | 224 |
| | | SG | 182 | PN | 224 |
| | | WF | 182 | BG | 299 |
| | | | | GD | 299 |



Lincoln Paper Holder

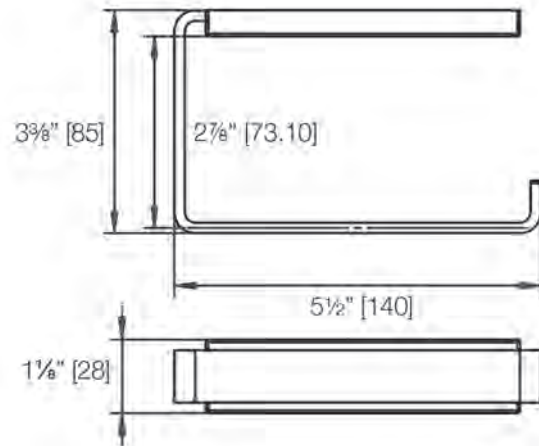
Inside paper width 5 1/8" [132]



L6286

(add finish code)

| | | | | | |
|----------|------------|-----------|------------|-----------|------------|
| C | 116 | MB | 158 | BN | 189 |
| | | SG | 158 | PN | 189 |
| | | WF | 158 | BG | 258 |
| | | | | GD | 258 |



Solid brass rods are heated to 930°C and then poured into moulds for the distinctive Lincoln design.



C Chrome **CG** Chrome with Stone Grey **CM** Chrome with Matte Black **CW** Chrome with White Frost

MB Matte Black **MC** Matte Black with Chrome **MG** Matte Black with Brushed Gold **SG** Stone Grey **WF** White Frost

BN Brushed Nickel **PN** Polished Nickel **BG** Brushed Gold **GD** Polished Gold

Contemporary design will complement



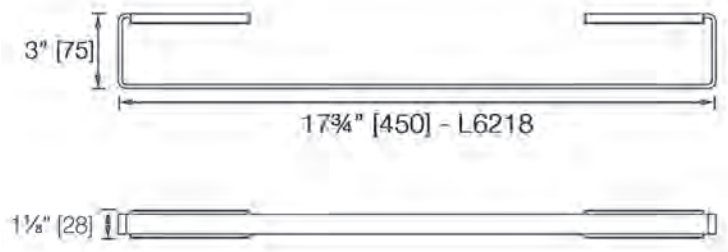
Lincoln Single Towel Bar
[Medium]

L6218 - Towel hanging space 17³/₈" [442]



L6218 _____
(add finish code)

| | | | | | |
|----------|------------|-----------|------------|-----------|------------|
| C | 200 | MB | 259 | BN | 296 |
| | | SG | 259 | PN | 296 |
| | | WF | 259 | BG | 370 |
| | | | | GD | 370 |



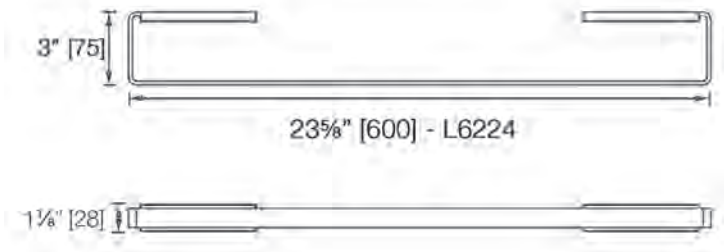
Lincoln Single Towel Bar

L6224 - Towel hanging space 23³/₈" [592]



L6224 _____
(add finish code)

| | | | | | |
|----------|------------|-----------|------------|-----------|------------|
| C | 232 | MB | 313 | BN | 355 |
| | | SG | 313 | PN | 355 |
| | | WF | 313 | BG | 448 |
| | | | | GD | 448 |



Lincoln Double Towel Bar

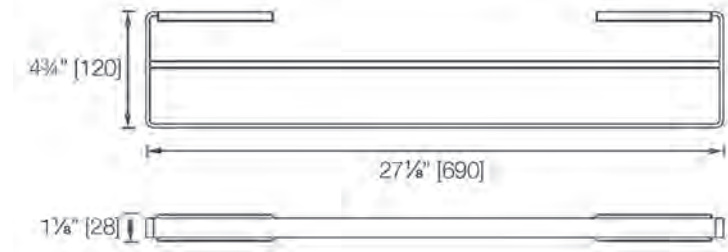
Towel hanging space (front bar) 27¹/₄" [692]

Towel hanging space (rear bar) 27¹/₄" [692]



L6230D _____
(add finish code)

| | | | | | |
|----------|------------|-----------|------------|-----------|------------|
| C | 339 | MB | 412 | BN | 455 |
| | | SG | 412 | PN | 455 |
| | | WF | 412 | BG | 561 |
| | | | | GD | 561 |



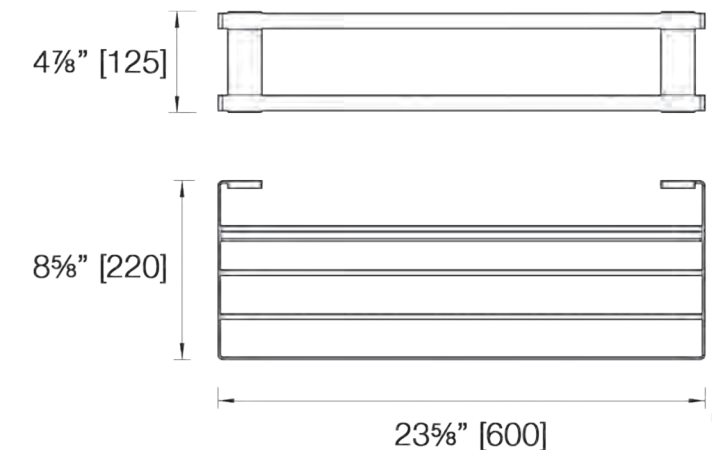
Towel Shelf

Towel hanging space 23³/₈" [592]



6262 _____
(add finish code)

| | | | | | |
|----------|------------|-----------|------------|-----------|------------|
| C | 582 | MB | 758 | BN | 789 |
| | | SG | 758 | PN | 789 |
| | | WF | 758 | BG | 863 |
| | | | | GD | 863 |



... complete a look



3439C p.50



S3218ADAC p.59



M00169 p.73

Use metric dimensions for greatest accuracy.
Specifications are subject to change without notice.

PAYTON

THE look ... ECCENTRIC THE FEELING ... CURIOUS

... the people's choice

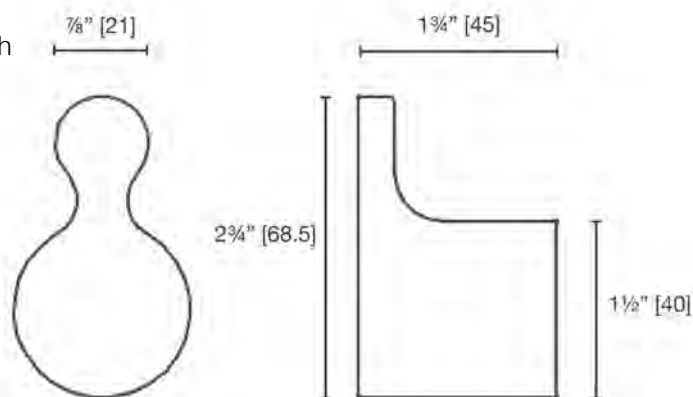


Payton Single Robe Hook

Perfect complement to any bathroom with a single hole column post faucet.

P5682 _____
(add finish code)

| | | | | | |
|----------|-----------|-----------|-----------|-----------|------------|
| C | 57 | MB | 71 | BN | 79 |
| | | SG | 71 | PN | 79 |
| | | WF | 71 | BG | 104 |
| | | | | GD | 104 |
| | | | | | |



May 2023

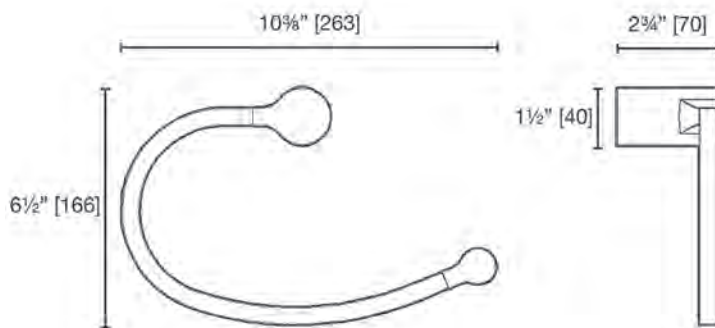


Payton Towel Ring

Towel hanging space 7 1/2" [190]

P5680 _____
(add finish code)

| | | | | | |
|----------|------------|-----------|------------|-----------|------------|
| C | 133 | MB | 167 | BN | 186 |
| | | SG | 167 | PN | 186 |
| | | WF | 167 | BG | 247 |
| | | | | GD | 247 |
| | | | | | |

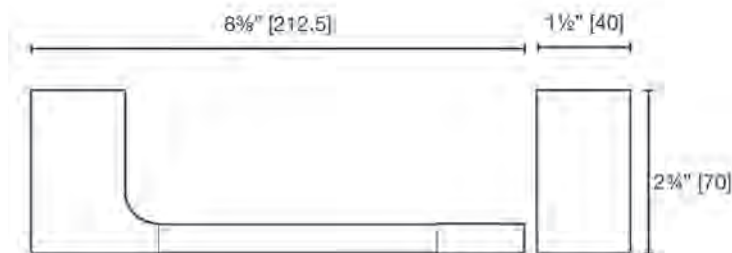


Payton Paper Holder

Inside paper width 5 3/4" [146]

P5686 _____
(add finish code)

| | | | | | |
|----------|------------|-----------|------------|-----------|------------|
| C | 111 | MB | 139 | BN | 156 |
| | | SG | 139 | PN | 156 |
| | | WF | 139 | BG | 199 |
| | | | | GD | 199 |
| | | | | | |



C Chrome **CG** Chrome with Stone Grey **CM** Chrome with Matte Black **CW** Chrome with White Frost
MB Matte Black **MC** Matte Black with Chrome **MG** Matte Black with Brushed Gold **SG** Stone Grey **WF** White Frost
BN Brushed Nickel **PN** Polished Nickel **BG** Brushed Gold **GD** Polished Gold

Contemporary design will complement



The Payton collection elevates the simple round flange to posh and grandiose.

Curves are in and big curves are appreciated.



Payton Single Towel Bar

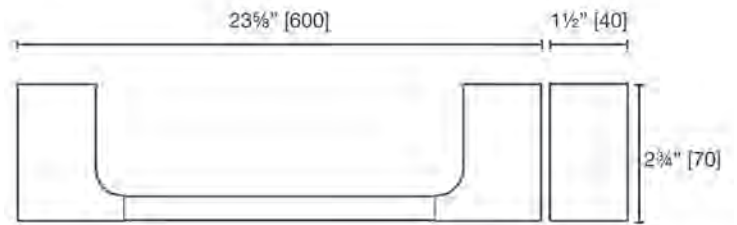
Towel hanging space 20 1/8" [512]



P5624 _____

(add finish code)

| | | | | | |
|----------|------------|-----------|------------|-----------|------------|
| C | 190 | MB | 240 | BN | 253 |
| | | <i>SG</i> | 240 | PN | 253 |
| | | <i>WF</i> | 240 | <i>BG</i> | 355 |
| | | | | <i>GD</i> | 355 |



Payton Extended Double Towel Bar

Towel hanging space (front bar) 24" [612]

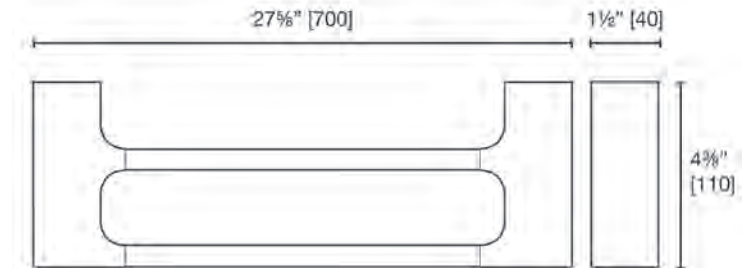
Towel hanging space (rear bar) 24" [612]



P5630D _____

(add finish code)

| | | | | | |
|----------|------------|-----------|------------|-----------|------------|
| C | 290 | MB | 364 | BN | 389 |
| | | <i>SG</i> | 364 | PN | 389 |
| | | <i>WF</i> | 364 | <i>BG</i> | 532 |
| | | | | <i>GD</i> | 532 |



Polished nickel is brighter and whiter than Chrome. It does not have the characteristic blueish hue of chrome.

Payton is stocked in Polished Nickel.



Radius

STOCK - Boldface / Special Finish 4 weeks

THE LOOK ... ROBUST THE FEELING ... LIBERATED

... perfectly polished
and ready for install

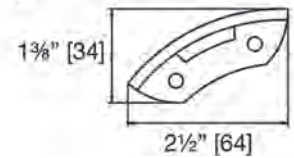
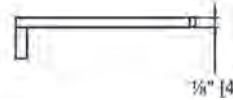
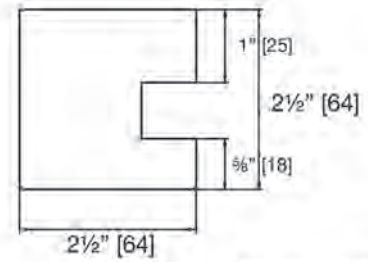


Radius Single Robe Hook

Robes conform to the unique curvature of the hook keeping the collar free of bunching at the end of a steamy shower.

R3082 _____
(add finish code)

| | | | | | |
|----------|-----------|-----------|------------|-----------|-----|
| C | 67 | <i>MB</i> | 83 | <i>BN</i> | 89 |
| | | <i>SG</i> | 83 | <i>PN</i> | 89 |
| | | <i>WF</i> | 83 | <i>BG</i> | 128 |
| | | GD | 128 | | |
| | | | | | |



May 2023

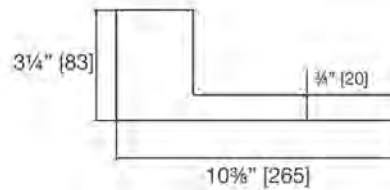
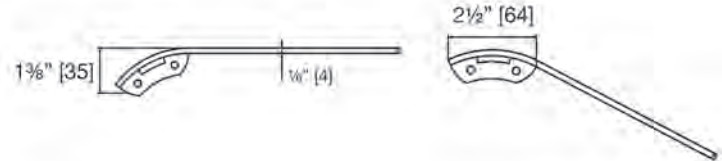
Radius Hand Towel Bar

Towel hanging space 8 1/8" [208]



R3080 _____
(add finish code)

| | | | | | |
|----------|------------|-----------|------------|-----------|-----|
| C | 135 | <i>MB</i> | 174 | <i>BN</i> | 183 |
| | | <i>SG</i> | 174 | <i>PN</i> | 183 |
| | | <i>WF</i> | 174 | <i>BG</i> | 259 |
| | | GD | 259 | | |
| | | | | | |



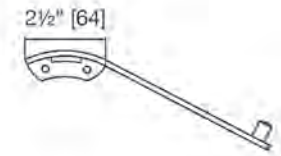
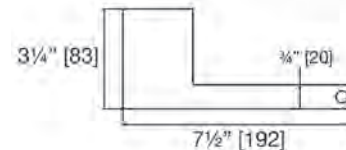
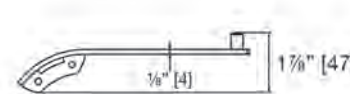
Radius Paper Holder

Inside paper width 4 5/8" [119]



R3086 _____
(add finish code)

| | | | | | |
|----------|------------|-----------|------------|-----------|-----|
| C | 119 | <i>MB</i> | 149 | <i>BN</i> | 163 |
| | | <i>SG</i> | 149 | <i>PN</i> | 163 |
| | | <i>WF</i> | 149 | <i>BG</i> | 226 |
| | | GD | 226 | | |
| | | | | | |



C Chrome **CG** Chrome with Stone Grey **CM** Chrome with Matte Black **CW** Chrome with White Frost
MB Matte Black **MC** Matte Black with Chrome **MG** Matte Black with Brushed Gold **SG** Stone Grey **WF** White Frost
BN Brushed Nickel **PN** Polished Nickel **BG** Brushed Gold **GD** Polished Gold

MINIMALIST

design will complement



Radius Single Towel Bar [Medium]

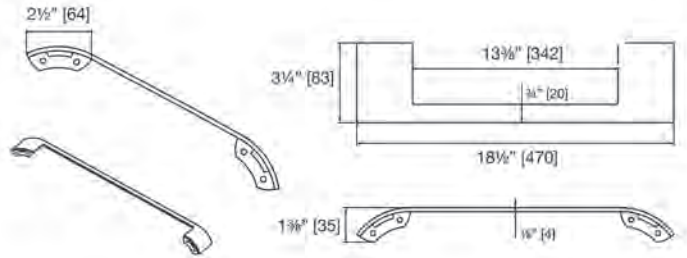
Towel hanging space 13½" [344]



R3018 _____

(add finish code)

| | | | | |
|--------------|-----------|-----|-----------|------------|
| C 245 | <i>MB</i> | 306 | <i>BN</i> | 334 |
| | <i>SG</i> | 306 | <i>PN</i> | 334 |
| | <i>WF</i> | 306 | <i>BG</i> | 423 |
| | | | GD | 423 |
| | | | | |



Radius Single Towel Bar

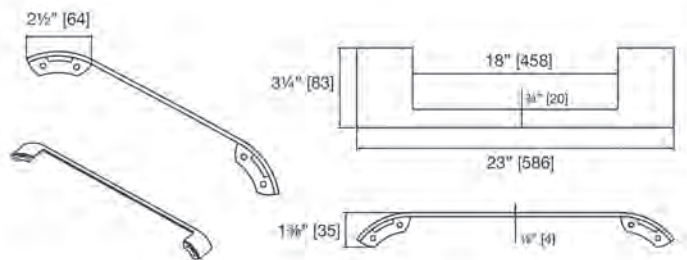
Towel hanging space 18½" [472]



R3024 _____

(add finish code)

| | | | | |
|--------------|-----------|-----|-----------|------------|
| C 271 | <i>MB</i> | 338 | <i>BN</i> | 369 |
| | <i>SG</i> | 338 | <i>PN</i> | 369 |
| | <i>WF</i> | 338 | <i>BG</i> | 471 |
| | | | GD | 471 |
| | | | | |



Radius Single Glass Shelf

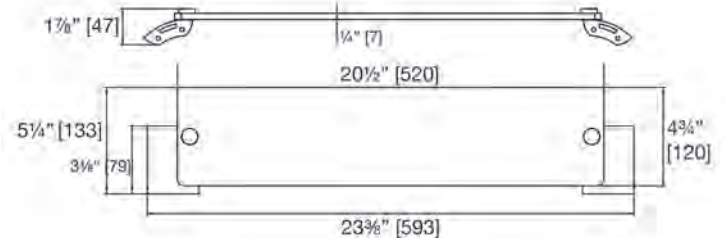
Two points on installation.
(replacement shelves are on page 84)



R3087 _____

(add finish code)

| | | | | |
|--------------|-----------|-----|-----------|------------|
| C 219 | <i>MB</i> | 285 | <i>BN</i> | 304 |
| | <i>SG</i> | 285 | <i>PN</i> | 304 |
| | <i>WF</i> | 285 | <i>BG</i> | 361 |
| | | | GD | 361 |
| | | | | |



*... matte black can be
a soft accent*



... complete a look



9600 p.41



9124 p.49



3230S p.64

Use metric dimensions for greatest accuracy.
Specifications are subject to change without notice.

STEELE II

THE look ... **dominant** THE FEELING ... **EMPOWERING**

STOCK - Boldface / Special Finish 4 weeks

Steele II Single Robe Hook

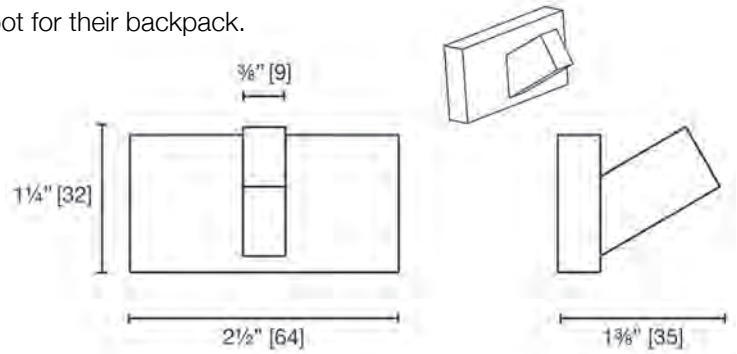
Parade multiple hooks at the back door. Each member of the family will have a dedicated spot for their backpack.



S1182

(add finish code)

| | | | | | |
|----------|-----------|-----------|-----------|-----------|-----------|
| C | 54 | MB | 66 | BN | 72 |
| | | MC | 59 | <i>PN</i> | 72 |
| | | <i>MG</i> | 84 | <i>BG</i> | 98 |
| | | SG | 66 | <i>GD</i> | 98 |
| | | WF | 66 | | |



Steele II Towel Ring

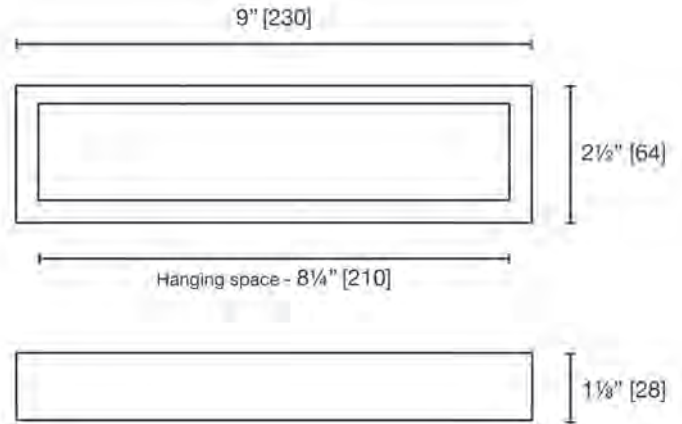
Towel hanging space 8 1/4" [210]



S1180

(add finish code)

| | | | | | |
|----------|------------|-----------|------------|-----------|------------|
| C | 154 | MB | 189 | BN | 222 |
| | | MC | 176 | <i>PN</i> | 222 |
| | | <i>MG</i> | 232 | <i>BG</i> | 296 |
| | | SG | 189 | <i>GD</i> | 296 |
| | | WF | 189 | | |



Steele II Paper Holder

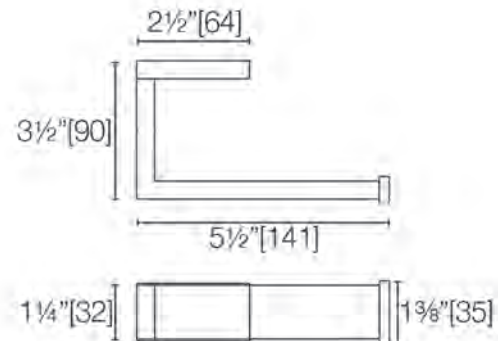
Inside paper width 4 7/8" [125]



S1186

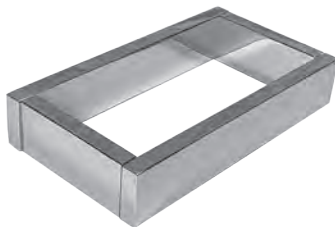
(add finish code)

| | | | | | |
|----------|------------|-----------|------------|-----------|------------|
| C | 121 | MB | 165 | BN | 187 |
| | | MC | 153 | <i>PN</i> | 187 |
| | | <i>MG</i> | 199 | <i>BG</i> | 253 |
| | | SG | 165 | <i>GD</i> | 253 |
| | | WF | 165 | | |



Steele II Pivot Paper Holder

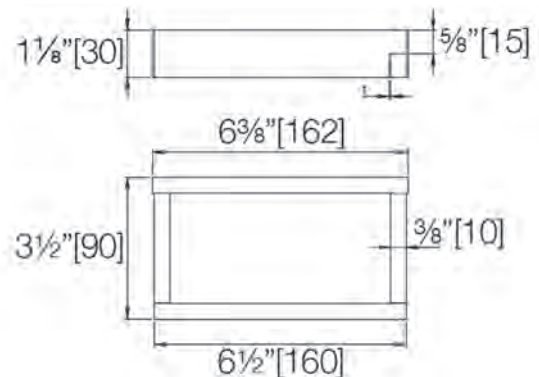
Inside paper width 5 1/2" [140]



S1186P

(add finish code)

| | | | |
|----------|------------|-----------|------------|
| C | 188 | MB | 232 |
|----------|------------|-----------|------------|



May 2023

C Chrome **CG** Chrome with Stone Grey **CM** Chrome with Matte Black **CW** Chrome with White Frost

MB Matte Black **MC** Matte Black with Chrome **MG** Matte Black with Brushed Gold **SG** Stone Grey **WF** White Frost

BN Brushed Nickel **PN** Polished Nickel **BG** Brushed Gold **GD** Polished Gold

MINIMALIST

design will complement



Steele II collection is available in two split finishes:

- *Matte Black with Chrome*
- *Matte Black with Brushed Gold*

Steele II Single Towel Bar

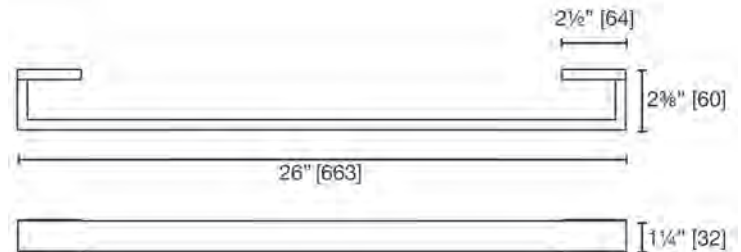
Towel hanging space 25¼" [643]



S1124 _____

(add finish code)

| | | | | | |
|----------|------------|-----------|------------|-----------|------------|
| C | 259 | MB | 328 | BN | 376 |
| | | MC | 319 | PN | 376 |
| | | MG | 339 | BG | 444 |
| | | SG | 328 | GD | 444 |
| | | WF | 328 | | |



Steele II Double Towel Bar

Towel hanging space (front bar) 21¼" [540]

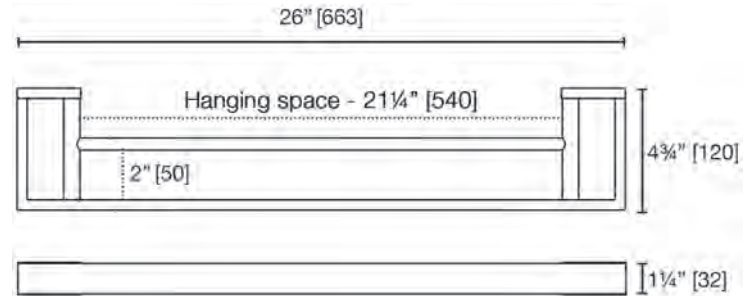
Towel hanging space (rear bar) 21¼" [540]



S1124D _____

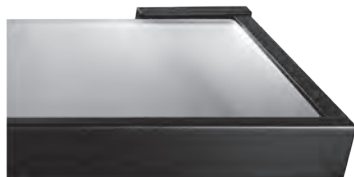
(add finish code)

| | | | | | |
|----------|------------|-----------|------------|-----------|------------|
| C | 333 | MB | 388 | BN | 418 |
| | | MC | 361 | PN | 418 |
| | | MG | 454 | BG | 518 |
| | | SG | 388 | GD | 518 |
| | | WF | 388 | | |



Steele II Single Glass Shelf

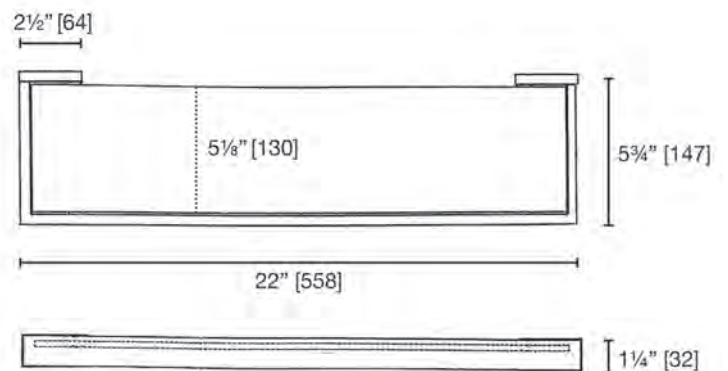
(replacement shelves are on page 84)



S1187 _____

(add finish code)

| | | | | | |
|----------|------------|-----------|------------|-----------|------------|
| C | 299 | MB | 355 | BN | 388 |
| | | MC | 346 | PN | 388 |
| | | MG | 372 | BG | 518 |
| | | SG | 355 | GD | 518 |
| | | WF | 355 | | |



... complete a look



S0100 p.57



S1087D p.51



M04828LAD p.69

Tyme

THE LOOK ... polished THE FEELING ... PERENNIAL

NEW
August

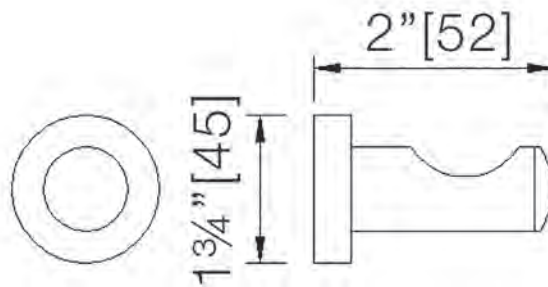


Tyme Single Robe Hook

T2682 _____
(add finish code)

C 37 | MB 48

NEW
August



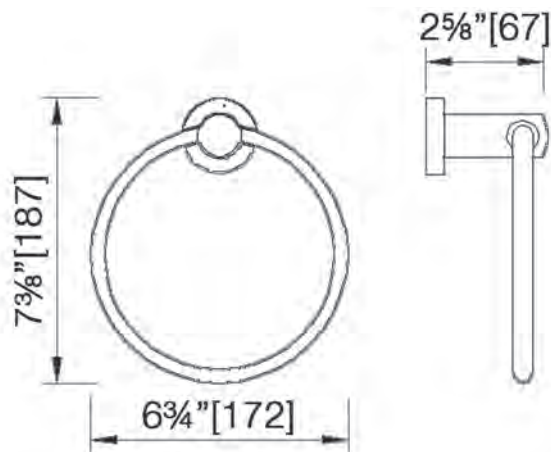
Tyme Towel Ring

Towel hanging space 5 7/8" [149]

T2680 _____
(add finish code)

C 67 | MB 92

NEW
August



May 2023



T2686RH

Tyme Paper Holder (left hand and right hand)

Inside paper width 5 1/8" [131]

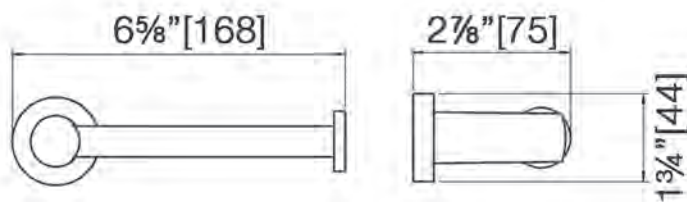
T2686LH _____ T2686RH _____
(add finish code)

C 67 | MB 97

NEW
August



T2686LH



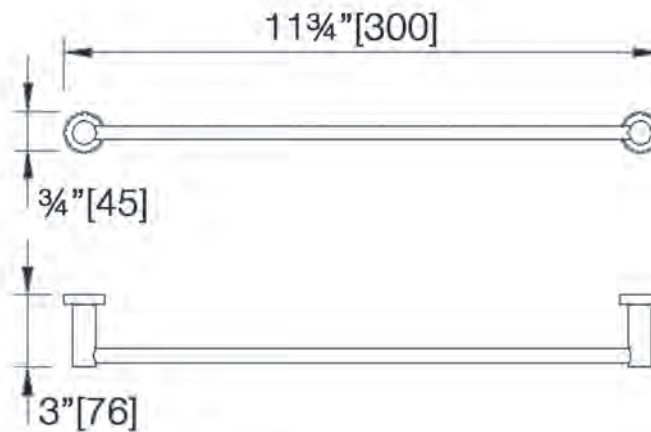
Tyme Single Towel Bar [Small]

Towel hanging space 9 3/8" [237]

T2612 _____
(add finish code)

C 92 | MB 123

NEW
August



C Chrome CG Chrome with Stone Grey CM Chrome with Matte Black CW Chrome with White Frost
MB Matte Black MC Matte Black with Chrome MG Matte Black with Brushed Gold SG Stone Grey WF White Frost
BN Brushed Nickel PN Polished Nickel BG Brushed Gold GD Polished Gold

Contemporary design will complement



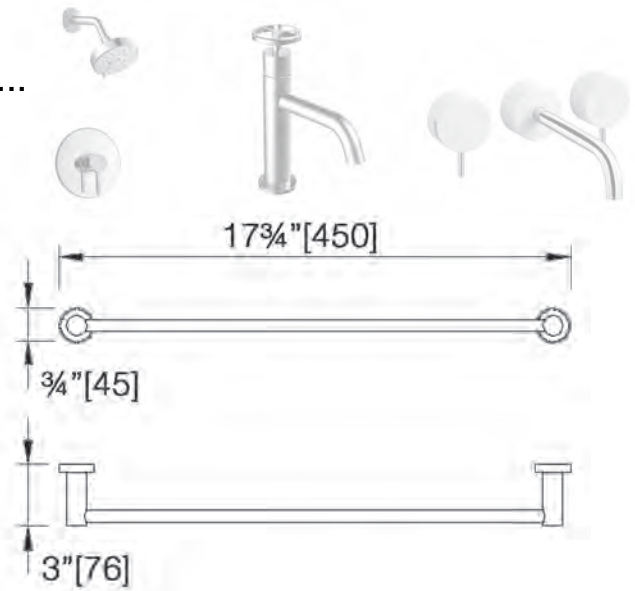
Tyme Single Towel Bar [Medium]

Towel hanging space 15 1/8" [383]

T2618 _____
(add finish code)

C 103 | MB 146

NEW
August



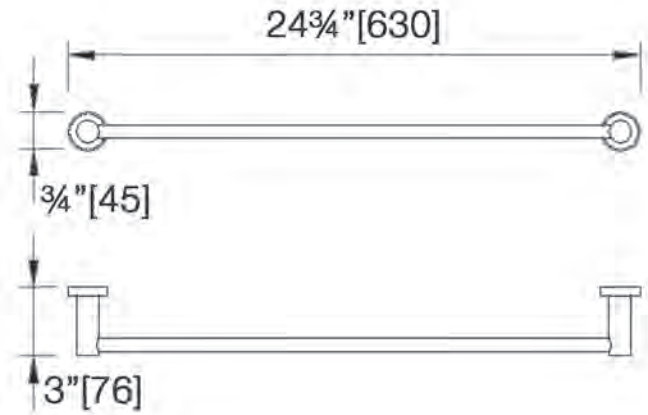
Tyme Single Towel Bar

Towel hanging space 22 1/8" [563]

T2624 _____
(add finish code)

C 115 | MB 156

NEW
August



Tyme Extended Double Towel Bar

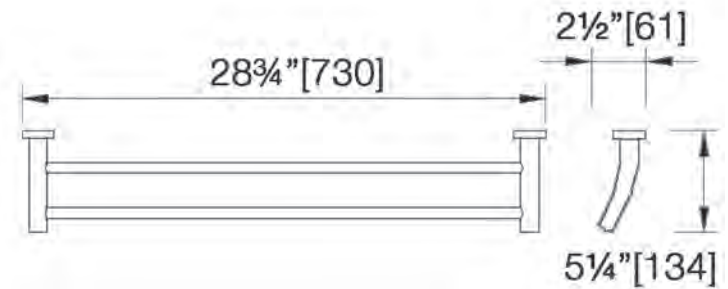
Towel hanging space (front bar) 25 3/4" [657]

Towel hanging space (rear bar) 25 3/4" [657]

T2630D _____
(add finish code)

C 183 | MB 247

NEW
August



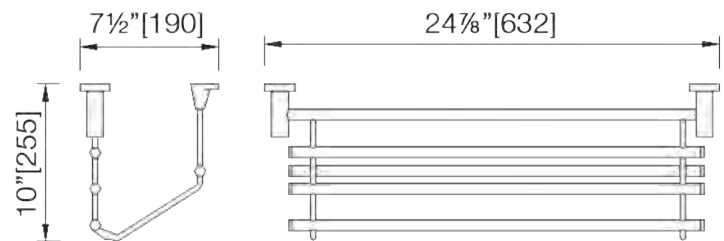
Tyme Towel Shelf

Towel hanging space 20 1/2" [520]

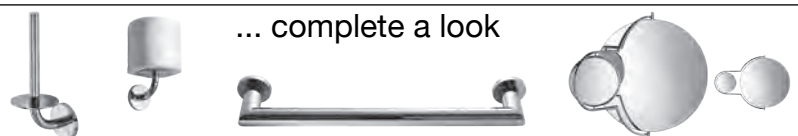
T2662 C

C 356

NEW
August



... complete a look



5305 p.47

3224 p.63

H01641 p.81

UPTON THE look ... solid THE FEELING ... SECURE

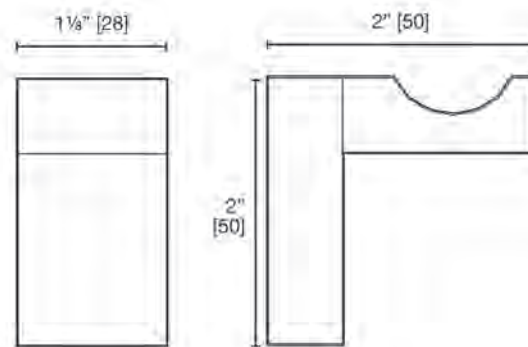


Upton Single Robe Hook

Suitable for any room in the home. The simplicity and elegance works with any design.

U9282 _____
(add finish code)

| | | | | |
|-------------|-----------|-----|-----------|-----|
| C 92 | <i>MB</i> | 119 | <i>BN</i> | 129 |
| | <i>SG</i> | 119 | <i>PN</i> | 129 |
| | <i>WF</i> | 119 | <i>BG</i> | 172 |
| | | | <i>GD</i> | 172 |

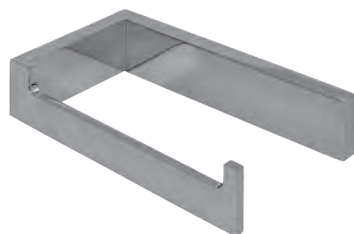
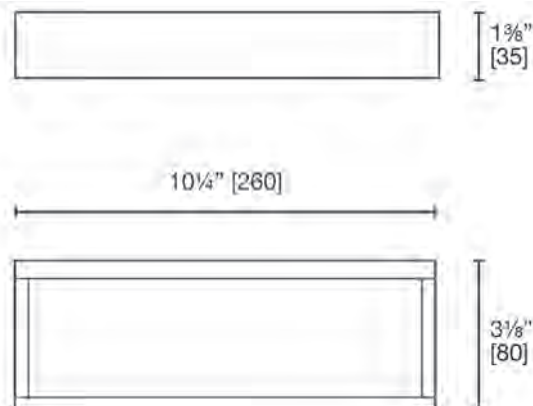


Upton Single Towel Ring

Towel hanging space 9 5/8" [245]

U9280 _____
(add finish code)

| | | | | |
|--------------|-----------|-----|-----------|-----|
| C 333 | <i>MB</i> | 432 | <i>BN</i> | 469 |
| | <i>SG</i> | 432 | <i>PN</i> | 469 |
| | <i>WF</i> | 432 | <i>BG</i> | 599 |
| | | | <i>GD</i> | 599 |

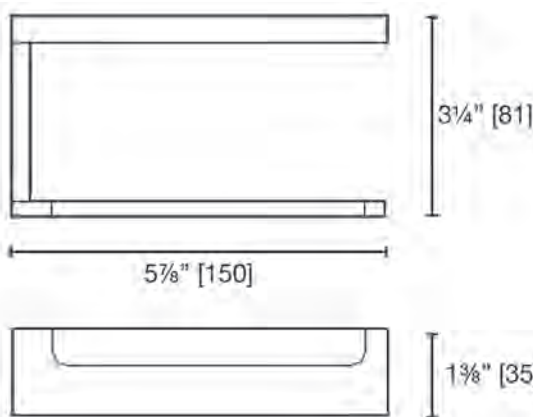


Upton Paper Holder

Inside paper width 4 3/4" [121]

U9286 _____
(add finish code)

| | | | | |
|--------------|-----------|-----|-----------|-----|
| C 182 | <i>MB</i> | 236 | <i>BN</i> | 253 |
| | <i>SG</i> | 236 | <i>PN</i> | 253 |
| | <i>WF</i> | 236 | <i>BG</i> | 325 |
| | | | <i>GD</i> | 325 |



All Upton accessories are solid brass and must be installed on backing.

Choose your accessory locations before installing drywall and ensure that extra support is installed where mounting brackets will be screwed to the wall.

May 2023

C Chrome **CG** Chrome with Stone Grey **CM** Chrome with Matte Black **CW** Chrome with White Frost
MB Matte Black **MC** Matte Black with Chrome **MG** Matte Black with Brushed Gold **SG** Stone Grey **WF** White Frost
BN Brushed Nickel **PN** Polished Nickel **BG** Brushed Gold **GD** Polished Gold

MINIMALIST

design will complement



coming out

Upton Double Towel Bar

Towel hanging space 11 $\frac{1}{8}$ " [283]
Projection from the wall 11 $\frac{1}{8}$ " [300]



U9212D _____

(add finish code)

| | | | | |
|--------------|-----------|-----|-----------|-----|
| C 465 | <i>MB</i> | 582 | <i>BN</i> | 615 |
| | <i>SG</i> | 582 | <i>PN</i> | 615 |
| | <i>WF</i> | 582 | <i>BG</i> | 759 |
| | | | <i>GD</i> | 759 |

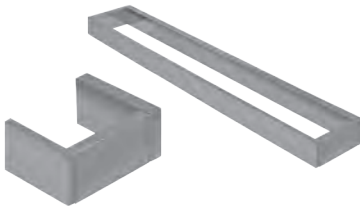


11 $\frac{1}{8}$ " [300]



Upton Single Towel Bar

Towel hanging space 19" [484]



U9220 _____

(add finish code)

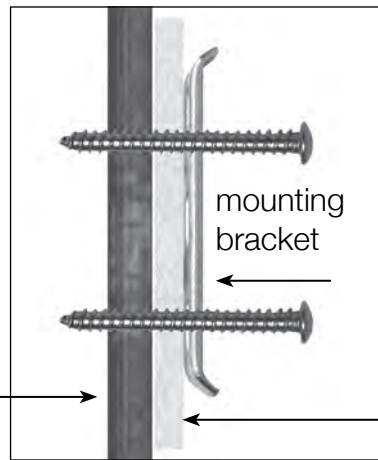
| | | | | |
|--------------|-----------|-----|-----------|-----|
| C 499 | <i>MB</i> | 617 | <i>BN</i> | 649 |
| | <i>SG</i> | 617 | <i>PN</i> | 649 |
| | <i>WF</i> | 617 | <i>BG</i> | 815 |
| | | | <i>GD</i> | 815 |



3 $\frac{1}{8}$ " [80]



19" [500]



wood backing

mounting bracket

drywall

... complete a look



9300 p.66



M03628LA p.68



2602 p.62

Use metric dimensions for greatest accuracy.
 Specifications are subject to change without notice.



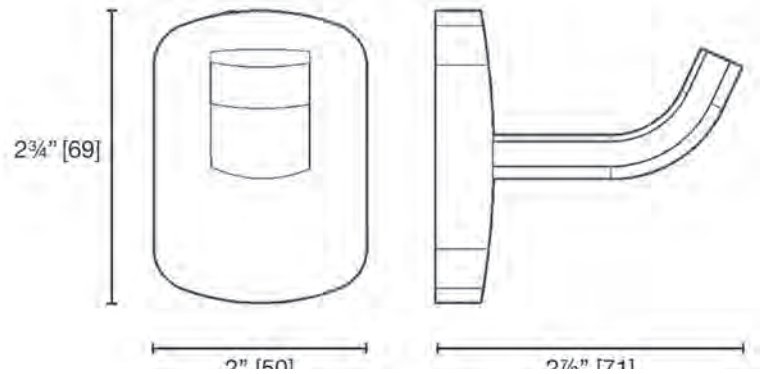
Wynn Single Robe Hook

Functional and very conspicuous.

W6582

(add finish code)

| | | | | | |
|----------|-----------|-----------|-----------|-----------|------------|
| C | 77 | MB | 98 | BN | 107 |
| | | MC | 87 | PN | 107 |
| | | MG | 117 | BG | 137 |
| | | SG | 98 | GD | 137 |
| | | WF | 98 | | |



Wynn Single Towel Ring

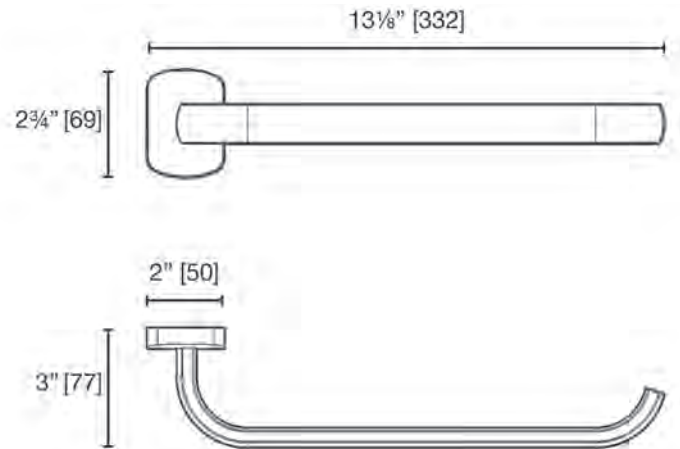
Towel hanging space 9 1/8" [233]



W6580

(add finish code)

| | | | | | |
|----------|------------|-----------|------------|-----------|------------|
| C | 129 | MB | 158 | BN | 179 |
| | | MC | 152 | PN | 179 |
| | | MG | 177 | BG | 237 |
| | | SG | 158 | GD | 237 |
| | | WF | 158 | | |



Wynn Paper Holder

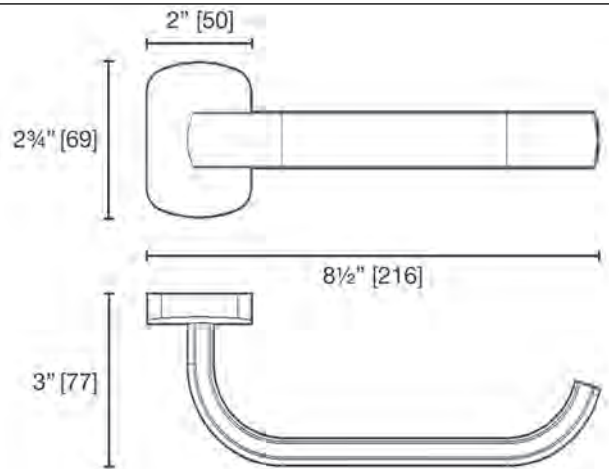
Inside paper width 5" [128]



W6586

(add finish code)

| | | | | | |
|----------|------------|-----------|------------|-----------|------------|
| C | 113 | MB | 144 | BN | 149 |
| | | MC | 137 | PN | 149 |
| | | MG | 158 | BG | 219 |
| | | SG | 144 | GD | 219 |
| | | WF | 144 | | |



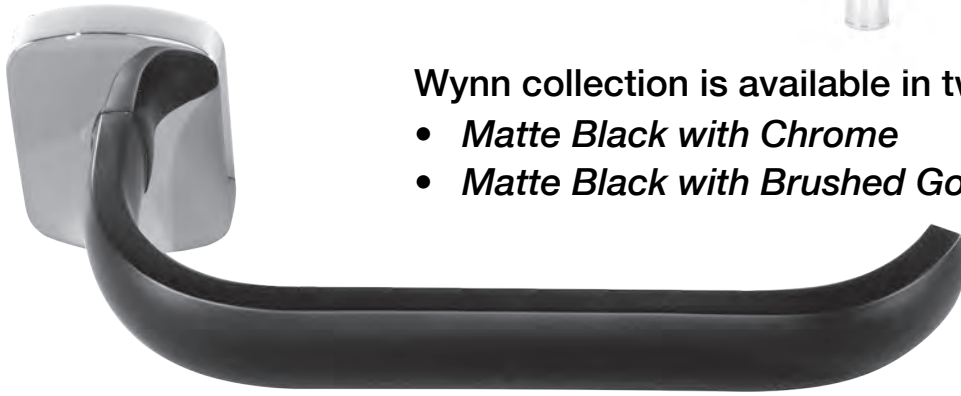
Contrast is a sought after feature of an eclectic style.

Wynn collection celebrates the convergence of angled and soft curved lines.

Collection inspired and created for loft bathroom renovations with grand 10 and 12 foot ceilings.

May 2023

Contemporary design will complement



Wynn collection is available in two split finishes:

- *Matte Black with Chrome*
- *Matte Black with Brushed Gold*

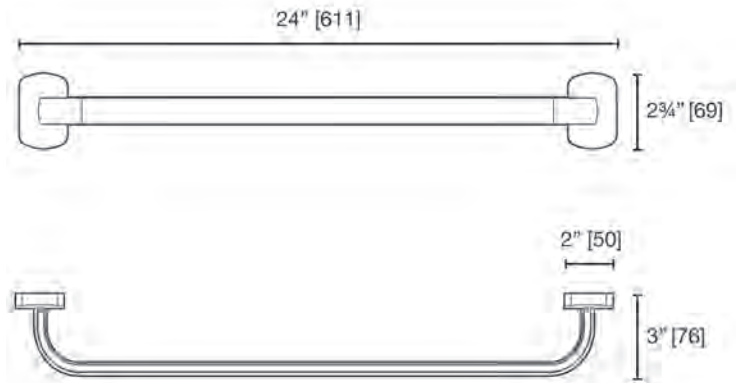
Wynn Single Towel Bar

Towel hanging space 19¼" [490]



W6524 _____
(add finish code)

| | | | | | |
|----------|------------|-----------|------------|-----------|------------|
| C | 234 | MB | 285 | BN | 321 |
| | | MC | 281 | PN | 321 |
| | | MG | 304 | BG | 405 |
| | | SG | 285 | GD | 405 |
| | | WF | 285 | | |



Wynn Extended Double Towel Bar

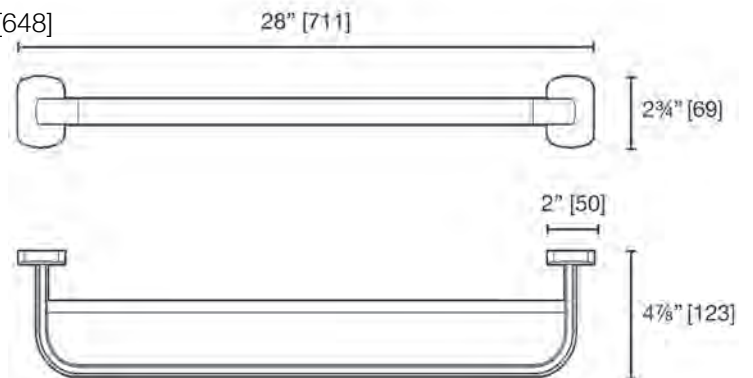
Towel hanging space (front bar) 22¾" [578]

Towel hanging space (rear bar) 25½" [648]



W6530D _____
(add finish code)

| | | | | | |
|----------|------------|-----------|------------|-----------|------------|
| C | 275 | MB | 338 | BN | 377 |
| | | MC | 312 | PN | 377 |
| | | MG | 411 | BG | 496 |
| | | SG | 338 | GD | 496 |
| | | WF | 338 | | |



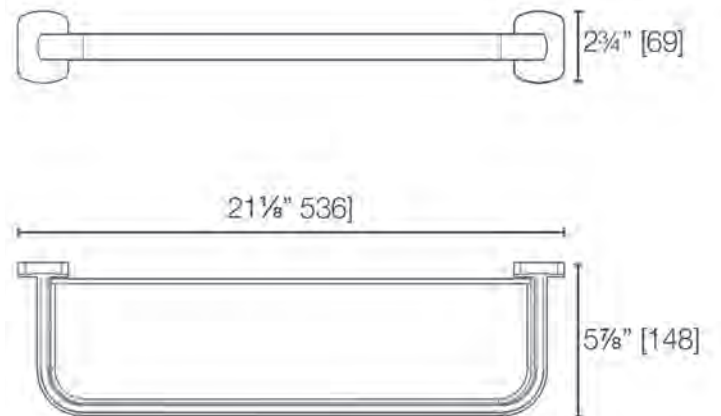
Wynn Single Glass Shelf

(replacement shelves are on page 84.)

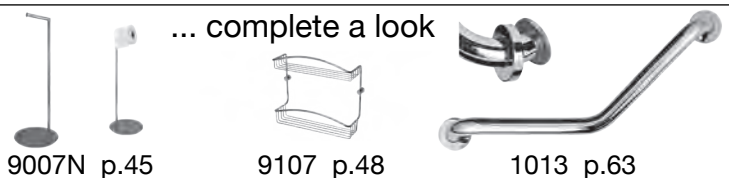


W6587 _____
(add finish code)

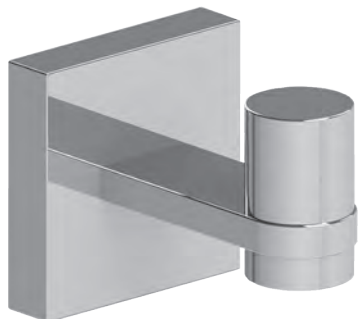
| | | | | | |
|----------|------------|-----------|------------|-----------|------------|
| C | 288 | MB | 354 | BN | 394 |
| | | MC | 342 | PN | 394 |
| | | MG | 378 | BG | 521 |
| | | SG | 354 | GD | 521 |
| | | WF | 354 | | |



... complete a look



Yukon THE look ... NOTEWORTHY THE FEELING ... UNITED

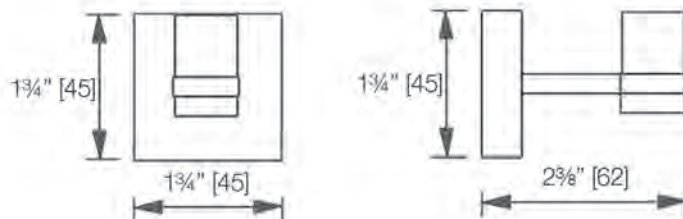


Yukon Single Robe Hook

Group multiple hooks in the walk-in closet for purse storage. Use hooks in the mud room to hang backpacks.

Y5482 _____
(add finish code)

C 52 | MB 61

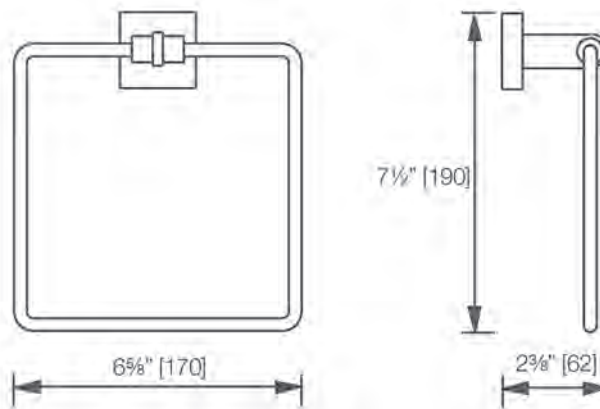


Yukon Towel Ring

Towel hanging space 6 1/8" [155]

Y5480 _____
(add finish code)

C 114 | MB 137



May 2023

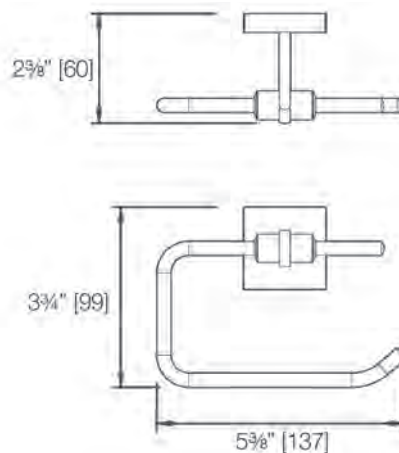


Yukon Paper Holder

Inside paper width 4 1/2" [114]

Y5486 _____
(add finish code)

C 75 | MB 87



Premium chrome accessories are a choice.

Select Yukon for its superior lustre and exceptional durability.



C Chrome **CG** Chrome with Stone Grey **CM** Chrome with Matte Black **CW** Chrome with White Frost
MB Matte Black **MC** Matte Black with Chrome **MG** Matte Black with Brushed Gold **SG** Stone Grey **WF** White Frost
BN Brushed Nickel **PN** Polished Nickel **BG** Brushed Gold **GD** Polished Gold

Contemporary design will complement



NEW
AUGUST

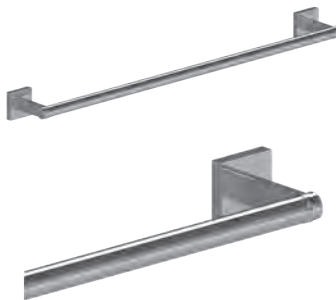
Yukon Collection

Now STOCKED in Matte Black
August 2023



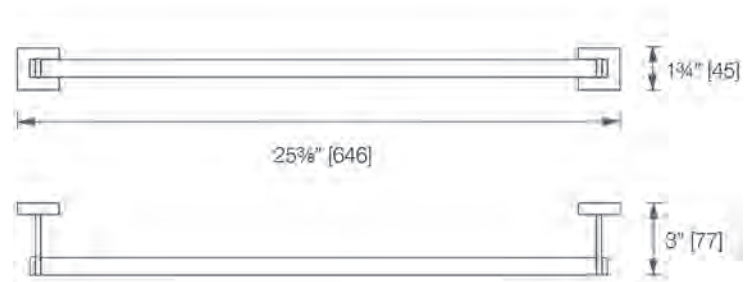
Yukon Single Towel Bar

Towel hanging space 23½" [595]



Y5424 _____
(add finish code)

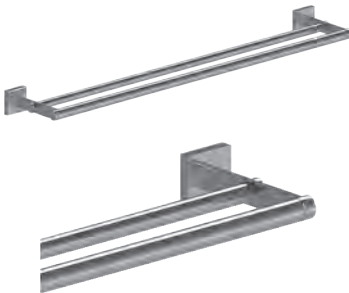
C 164 | MB 189



Yukon Extended Double Towel Bar

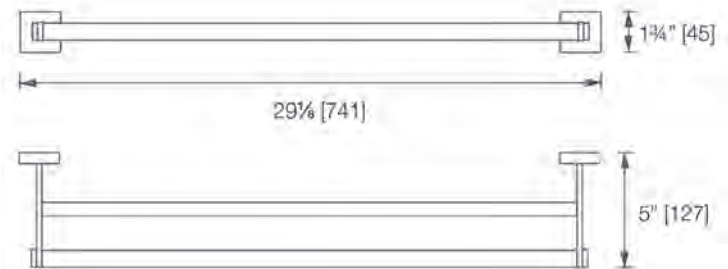
Towel hanging space (front bar) 27½" [690]

Towel hanging space (rear bar) 27½" [690]



Y5430D _____
(add finish code)

C 246 | MB 309



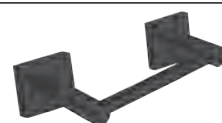
Why Chrome?

Chrome plating on brass increases durability with a reduced risk of de-lamination.

Chrome plating on brass is corrosion-resistant, scratch-resistant, and tarnish resistant with a high lustre.

Chrome plating occurs in an electrochemical bath. A layer of chromium metal is applied to the surfaces exposed in the bath, allowing for plating of complex and irregular shapes.

Our advanced chrome plating baths have been designed to give us maximum control over the plating parameters, so we can create the perfect thickness and hardness of coating.



H2686PMB p.16

... complete a look



8156-3 p.53



3800S p.41

Use metric dimensions for greatest accuracy.
Specifications are subject to change without notice.

INSTALLING ACCESSORIES

Anchoring in Drywall

Accessories mounted on drywall need to be firmly anchored or they will eventually loosen. Position the accessory at the desired height and then use an **electronic stud finder** to locate studs in the area.

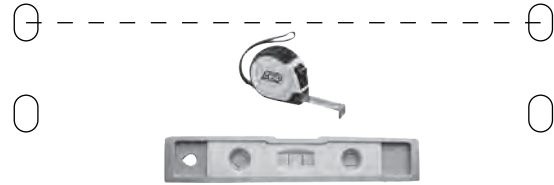
If installation on a stud(s) is not possible, install drywall plug(s) for mounting brackets.

If possible, position the accessory so at least one mounting screw can go into a stud and then trace the accessory mounting hole(s) onto the wall.



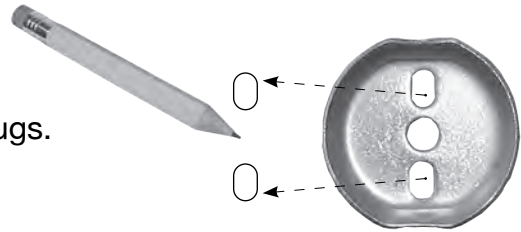
Level the mounting bracket.

If the accessory requires a second mounting bracket, measure the centre to centre distance to second bracket. **Use a level to confirm the plane between both brackets.**

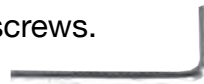


Trace the mounting hole(s).

Drill or punch appropriate-sized holes for either screws or wall plugs. Install wall plugs as needed.



Attach the accessory firmly to the mounting bracket using set screws. Take care not to over-tighten as they can strip out.



May 2023

Anchoring for Additional Support

Please note that some accessories in the LaLOO offering specifically require **support backing**.

Install a **2x4 brace** (or a 2x6 brace for grab bar installation) between studs at the predetermined desired height of the accessory.



Care of special finishes

Protect your investment by cleaning with a mild soap in luke warm water and dry after use.

Special finishes will be damaged if product is cleaned with a caustic or abrasive cleaner.

Anchoring in Tile

Use tubular plastic anchors (not provided) to hold accessories firmly in place when installing into tile affixed to concrete backer board.

Use a carbide glass/tile bit to drill pilot holes. Tap in the anchors and fasten the mounting bracket with screws. (Use tapered anchors for tile installed on drywall.)



Do not use:

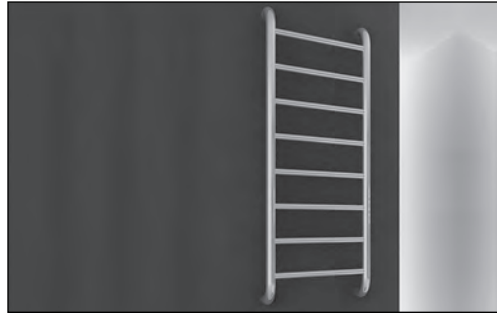
- Bleach
- Ammonia
- Vinegar
- Abrasives
- Paper Towels



BOUTIQUE INDEX



Towel Warmers - p. 38



Towel Ladders - p. 40



Towel Shelves - p. 42



Floor Stands - p. 44



Paper Holders - p. 45



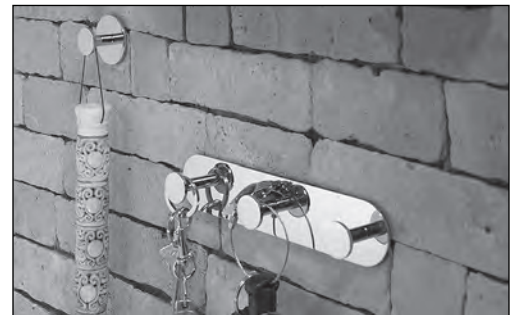
Wire Baskets - p. 48



Shower Shelving - p. 50



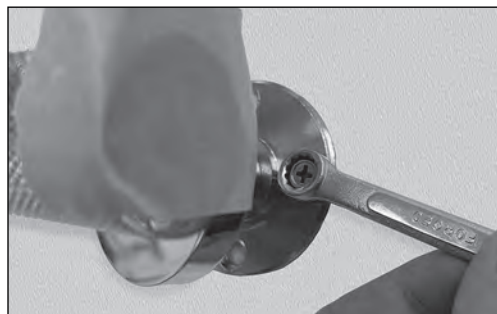
Shelving - p. 51



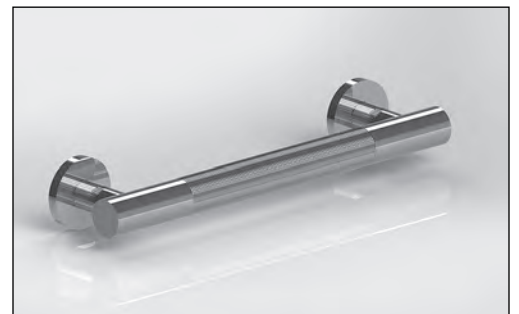
Hooks - p. 52



Squeegees - p. 57



Installing ADA Bars - p. 58



ADA Safety Bars - p. 59



Decorative Grab Bars - p. 62



Essentials - p. 64



Bowl Brushes - p. 66

TOWEL WARMERS

STOCK - Boldface / Special Finish 4 weeks

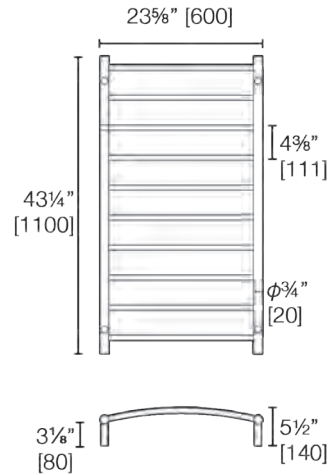


10 Bar Warmer

Towel hanging space
21¼" [540]
Multi-function plug-in or hardwire

ETW1-1 _____
(add finish code)

PS 855 | MB 999 | BS 778



Amperage - 1
Watts - 125
Voltage - 120

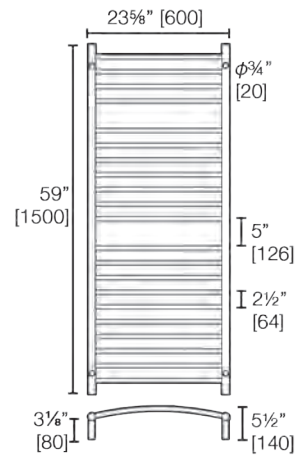


21 Bar Warmer

Towel hanging space
21¼" [540]
Multi-function plug-in or hardwire

ETW15 PS

PS 1223



Amperage - 1.8
Watts - 210
Voltage - 120

May 2023

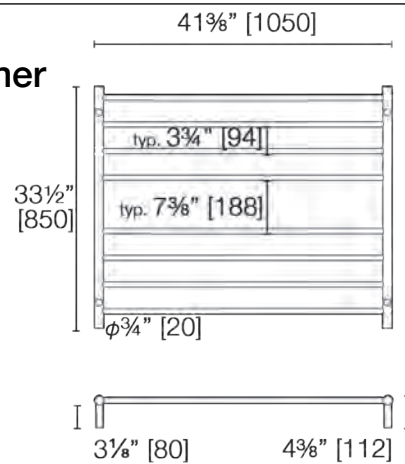


8 Bar Double Wide Warmer

Towel hanging space
38 5/8" [981]
Multi-function plug-in or hardwire

ETW1-19 PS

PS 944



Amperage - 1.3
Watts - 160
Voltage - 120

A 'true' double wide for family towels.

A great choice for your sauna room.



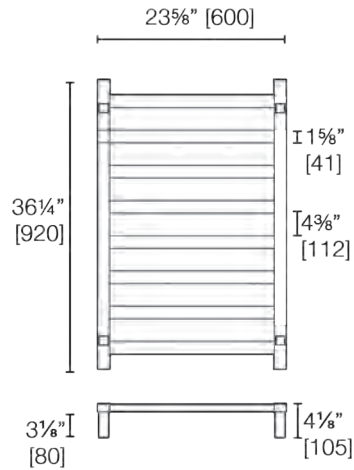
C Chrome **PS** Polished Stainless **MB** Matte Black **BS** Brushed Stainless

CHALLENGE #1 ... MUSTY DAMP TOWELS
 THE SOLUTION ... TOWELS WARMED TO 81°C

Install a towel warmer
 in the laundry room
 for drying delicates.



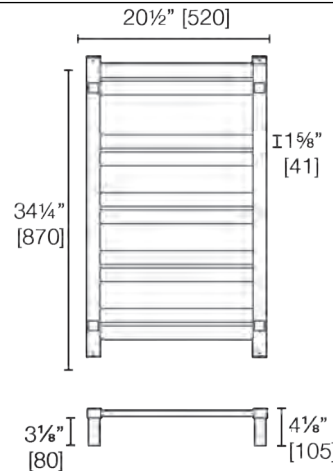
8 Bar Warmer
 Towel hanging space
 21½" [520]
 Multi-function plug-in or hardwire
ETW84-2 _____
 (add finish code)
PS 941 | MB 1089



Amperage - 1
 Watts - 125
 Voltage - 120



10 Bar Warmer
 Towel hanging space
 17¾" [442]
 Multi-function plug-in or hardwire
ETW84-6 PS
PS 974



Amperage - 1.1
 Watts - 135
 Voltage - 120

Longest warranty in the industry.**



Matte Black warranty. **3 YEARS

All towel warmers come with 2 connection options:



Plug-in

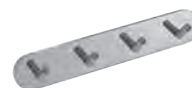


Hardwire

... complete a look



3391 p.48



7115-4 p.54



M00315 p.76

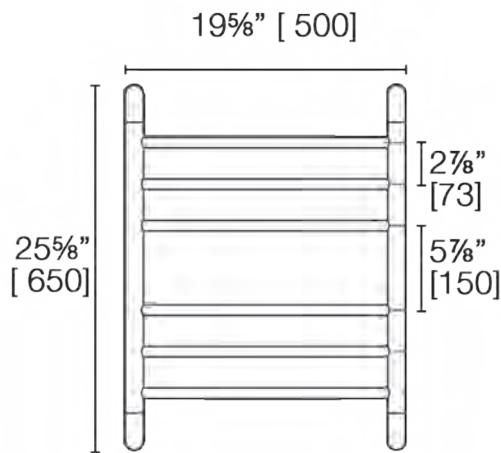
Use metric dimensions for greatest accuracy.
 Specifications are subject to change without notice.

TOWEL LADDERS



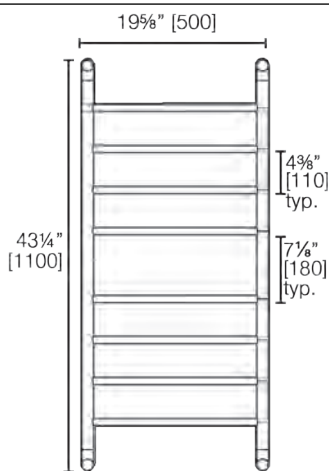
6 Bar Ladder
Towel hanging space
17 1/8" [436]

3610R PS
PS 349



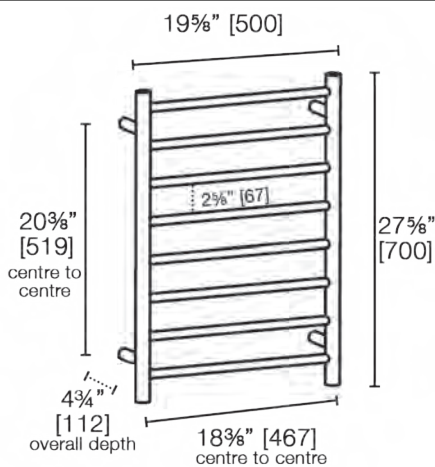
8 Bar Ladder
Towel hanging space
17 1/8" [436]

3800R PS
PS 465



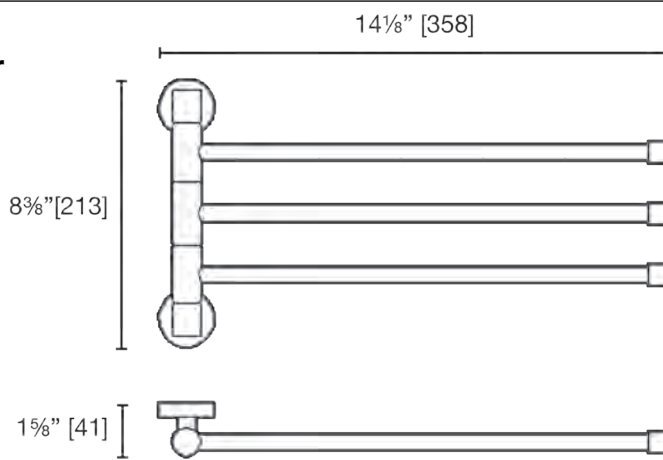
8 Bar Ladder
Towel hanging space
17 1/4" [437]

4800R ___
PS 512 | MB 699



Triple Swing Hand Towel Bar
Towel hanging space 13" [330]
{ *alternate uses:* kitchen dish towels
and bathroom magazines

2624DH-3 C
C 159



C Chrome **PS** Polished Stainless **MB** Matte Black **BS** Brushed Stainless

May 2023

CHALLENGE #2 ... LIMITED WALL SPACE & MULTIPLE TOWELS

THE SOLUTION ... TOWEL LADDERS



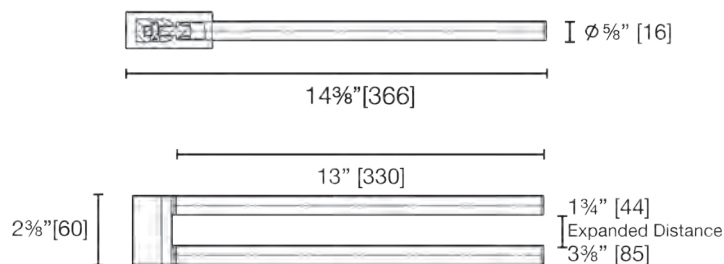
Double Swing Bar

Towel hanging space
13" [330]

◆ *Install on Backing*

2609 C

C 159

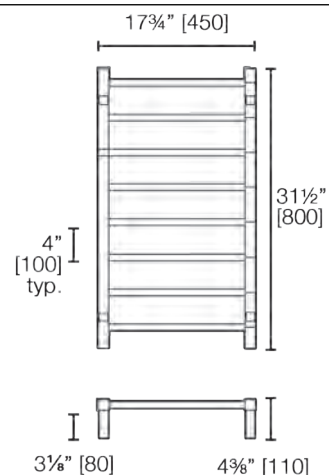


8 Bar Ladder

Towel hanging space
15 1/4" [389]

3800S _____
(add finish code)

PS 512 | MB 699

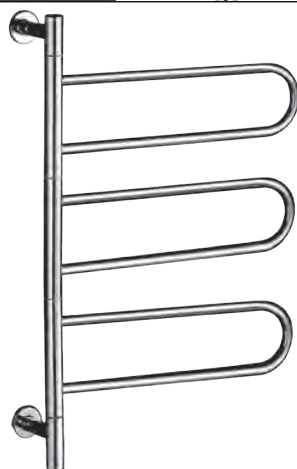
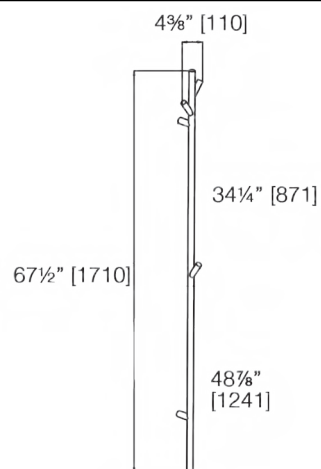


Towel Tree

Triple Hook Towel Tree
Single Stud Installation

8300 _____
(add finish code)

PS 512 | MB 699

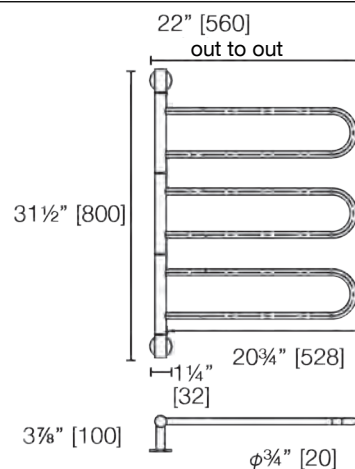


6 Bar Swing Ladder

Towel hanging space
17 5/8" [448]
180° Rotation

9600 PS

PS 545



W6587 p.33

... complete a look



3462 p.43



9000 p.44

Use metric dimensions for greatest accuracy.
Specifications are subject to change without notice.

TOWEL SHELVES



Classic-R Towel Shelf

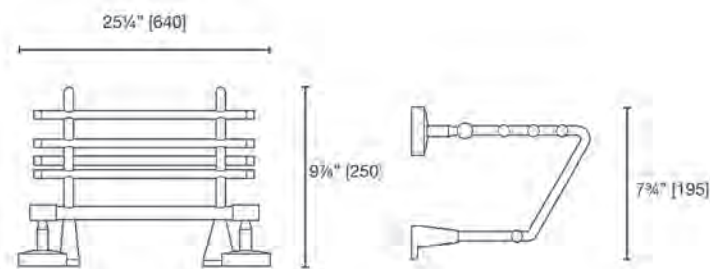
Towel hanging space
20½" [520]

{ *complementary collection*

Classic-R

CR3862 C

C 389



Hero Towel Shelf

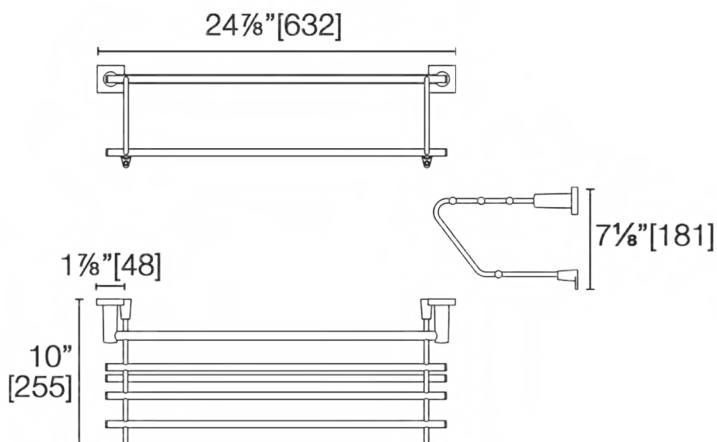
Towel hanging space
20½" [520]

{ *complementary collection*

Hero

H2662 C

C 395



Tyme Towel Shelf

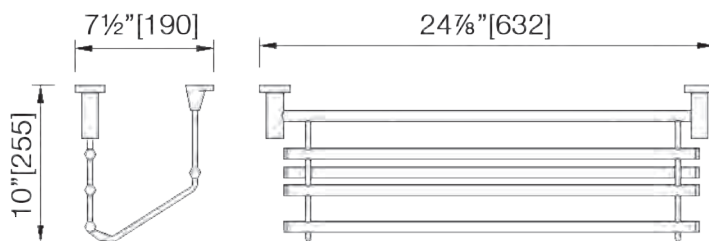
Towel hanging space
20½" [520]

{ *complementary collection*

Tyme

T2662 C

C 356

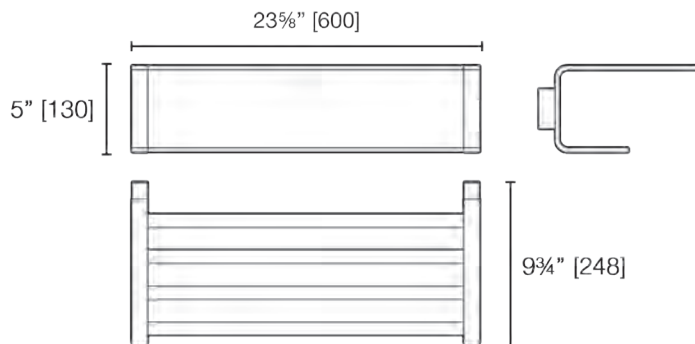


Flat Bar Towel Shelf

Towel hanging space
18⅞" [475]

3462 _____
(add finish code)

C 644 MB 847
SG 847
WF 847



May 2023

C Chrome CG Chrome with Stone Grey CM Chrome with Matte Black CW Chrome with White Frost

MB Matte Black MC Matte Black with Chrome MG Matte Black with Brushed Gold SG Stone Grey WF White Frost

BN Brushed Nickel PN Polished Nickel BG Brushed Gold GD Polished Gold BS Brushed Stainless PS Polished Stainless

CHALLENGE #3 ... UNUSED WALL SPACE OVER THE TOILET??
 THE SOLUTION ... SHELVES FOR FRESH TOWELS

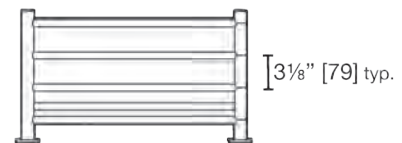
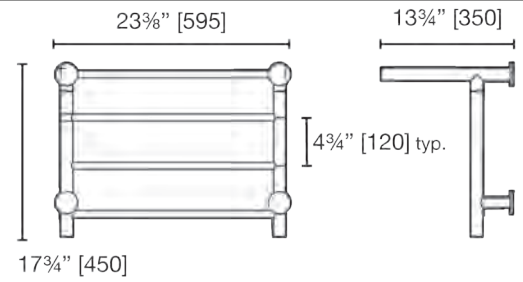


Triple Bar Towel Shelf

Towel hanging space
21½" [547]

3300 PS

PS 529



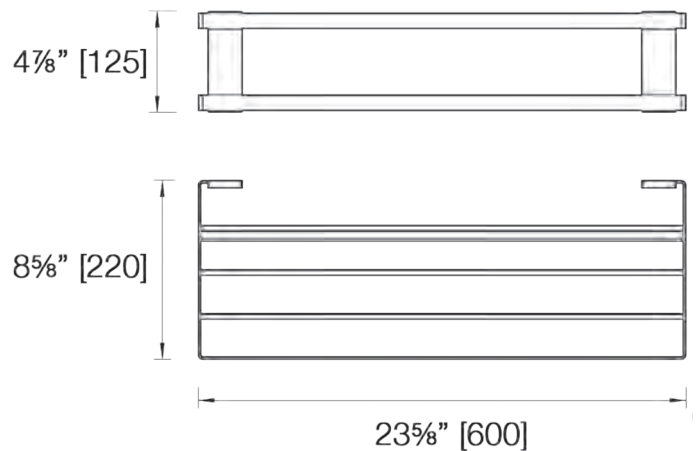
Lincoln Towel Shelf

Towel hanging space 23¾" [592]

{ *complementary collection*
Lincoln

6262 _____
(add finish code)

| | | | | |
|--------------|-----------|-----|-----------|-----|
| C 582 | <i>MB</i> | 758 | <i>BN</i> | 789 |
| | <i>SG</i> | 758 | <i>PN</i> | 789 |
| | <i>WF</i> | 758 | <i>BG</i> | 863 |
| | | | <i>GD</i> | 863 |
| | | | | |



3462 MB

... complete a look



8089 p.46



CR3882 p.4



2025 p.82

Use metric dimensions for greatest accuracy.
 Specifications are subject to change without notice.

FLOOR STANDS

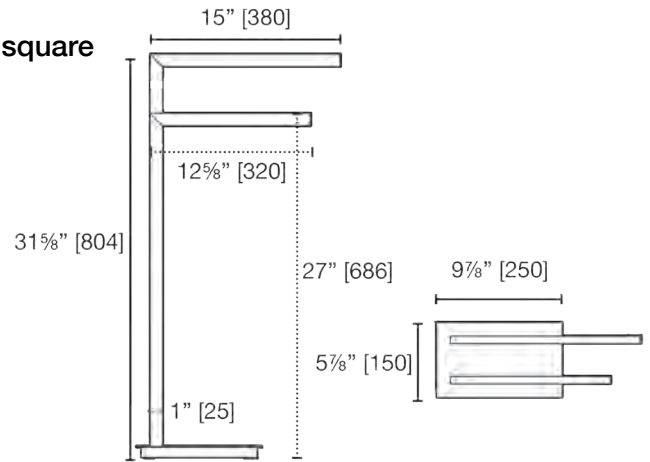
STOCK - Boldface / Special Finish 4 weeks

Double Bar Floor Towel Stand - square

Weighted for stability - 10 lb. base
Towel hanging space (top bar) 14" [356]
Towel hanging space (lower bar) 11½" [320]

9000 _____
(add finish code)

| | | | | | |
|----------|------------|-----------|------------|-----------|------------|
| C | 672 | MB | 818 | BN | 868 |
| | | MC | 779 | PN | 868 |
| | | MG | 849 | BG | 1085 |
| | | SG | 818 | GD | 1085 |
| | | WF | 818 | | |

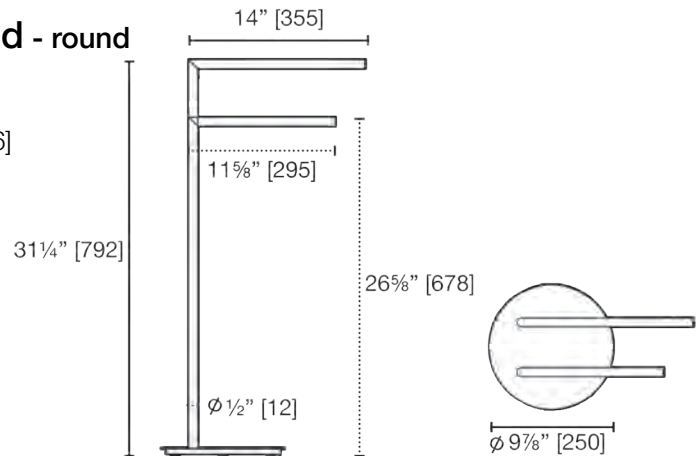


Double Bar Floor Towel Stand - round

Weighted for stability - 7 lb. base
Towel hanging space (top bar) 13⅜" [338]
Towel hanging space (lower bar) 10⅞" [276]

9003 _____
(add finish code)

| | | | | | |
|----------|------------|-----------|------------|-----------|------------|
| C | 582 | MB | 719 | BN | 775 |
| | | MC | 684 | PN | 775 |
| | | MG | 772 | BG | 967 |
| | | SG | 719 | GD | 967 |
| | | WF | 719 | | |

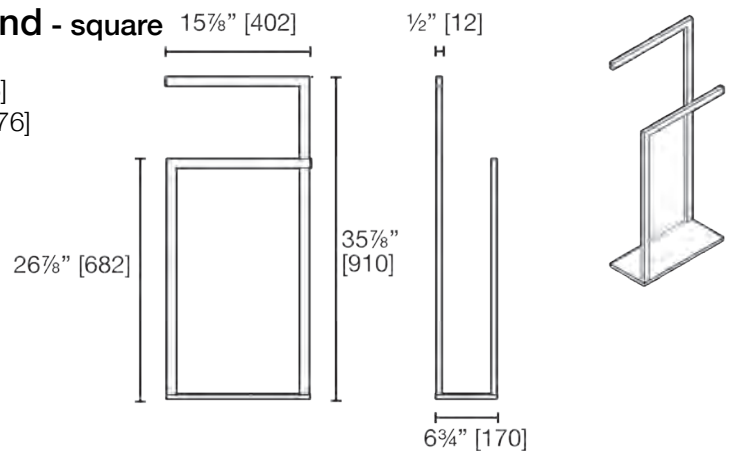


Double Bar Floor Towel Stand - square

Weighted for stability - 13 lb. base
Towel hanging space (top bar) 14¾" [376]
Towel hanging space (lower bar) 14¾" [376]

9016 _____
(add finish code)

| | | | | | |
|-----------|------------|-----------|------------|-----------|------------|
| PS | 764 | MB | 989 | BS | 847 |
| | | SG | 989 | | |
| | | WF | 989 | | |



Black magic.



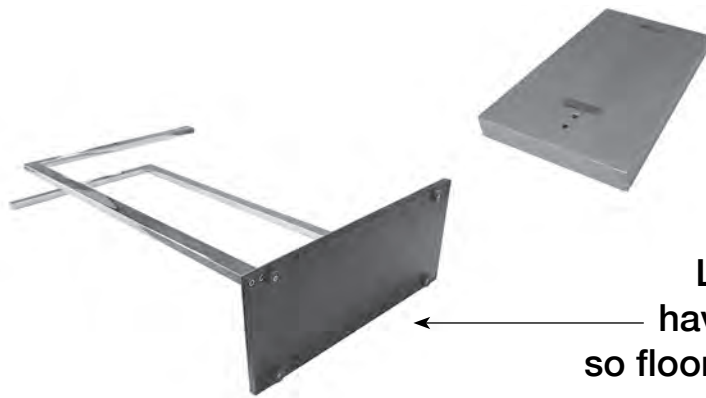
C Chrome **CG** Chrome with Stone Grey **CM** Chrome with Matte Black **CW** Chrome with White Frost

MB Matte Black **MC** Matte Black with Chrome **MG** Matte Black with Brushed Gold **SG** Stone Grey **WF** White Frost

BN Brushed Nickel **PN** Polished Nickel **BG** Brushed Gold **GD** Polished Gold **BS** Brushed Stainless **PS** Polished Stainless

CHALLENGE #4 ... LIMITED WALL SPACE & MULTIPLE TOWELS

THE SOLUTION ... FLOOR TOWEL STANDS



- 9000 - 10 lbs.
- 9003 - 7 lbs.
- 9016 - 13 lbs.
- 9001N - 10 lbs.
- 9007N - 7 lbs.

LaLOO floor stands
have **weighted bases**
so floor stands are stable.

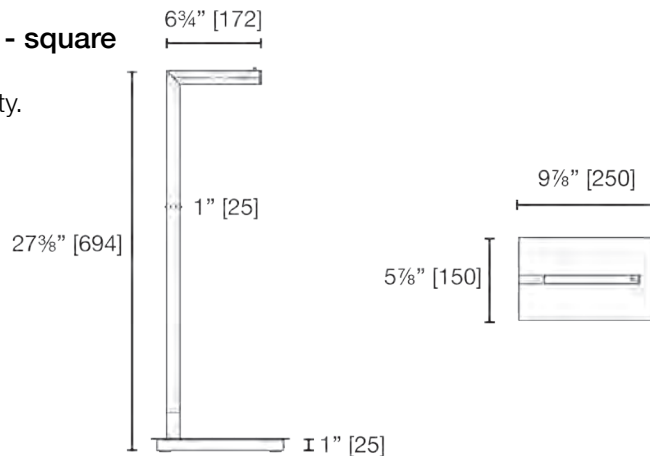


Floor Stand Paper Holder - square

Inside paper width 5 [128]
Avoid drilling holes in the side of a vanity.
Weighted base 10 lbs.

9001N _____
(add finish code)

| | | | | | |
|----------|------------|-----------|------------|-----------|------------|
| C | 453 | MB | 572 | BN | 628 |
| | | MC | 546 | PN | 628 |
| | | MG | 636 | BG | 793 |
| | | SG | 572 | GD | 793 |
| | | WF | 572 | | |

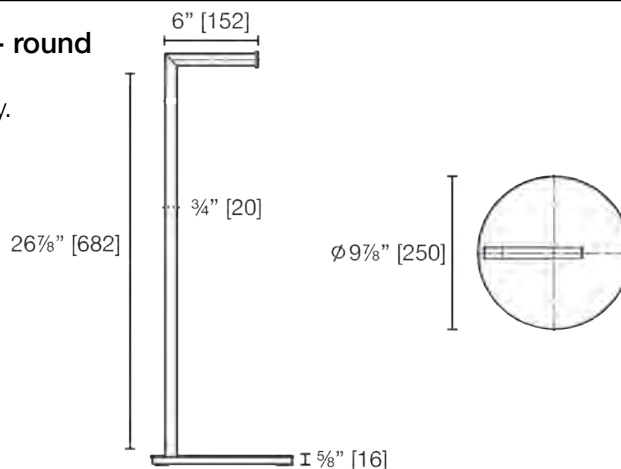


Floor Stand Paper Holder - round

Inside paper width 5 1/8 [131]
Avoid drilling holes in the side of a vanity.
Weighted base 7 lbs.

9007N _____
(add finish code)

| | | | | | |
|----------|------------|-----------|------------|-----------|------------|
| C | 419 | MB | 529 | BN | 578 |
| | | MC | 503 | PN | 578 |
| | | MG | 599 | BG | 736 |
| | | SG | 529 | GD | 736 |
| | | WF | 529 | | |



Accent your new floors
with a luxury accessory.



... complete a look



M22005 p.76



CB3432 p.50



2811 p.82

Use metric dimensions for greatest accuracy.
Specifications are subject to change without notice.

PAPER HOLDERS

STOCK - Boldface / Special Finish 4 weeks

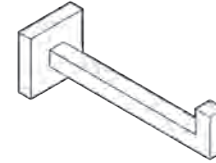
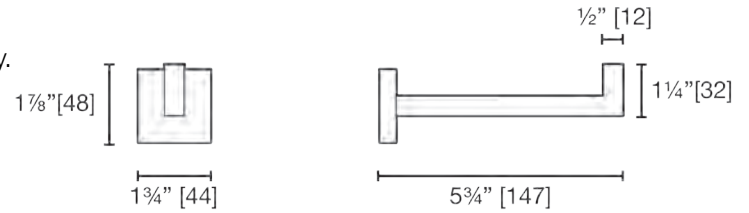


Projection Paper Holder

Inside paper width $4\frac{7}{8}$ [123]
 Avoid drilling holes in the side of a vanity.
 Install on the back wall between
 the tank and vanity.

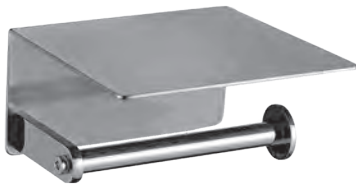
3155 _____
 (add finish code)

| | | | | | |
|----------|-----------|-----------|-----|-----------|-----|
| C | 81 | <i>MB</i> | 104 | <i>BN</i> | 122 |
| | | <i>SG</i> | 104 | <i>PN</i> | 122 |
| | | <i>WF</i> | 104 | <i>BG</i> | 145 |
| | | | | <i>GD</i> | 145 |
| | | | | | |



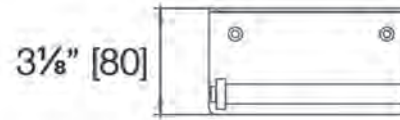
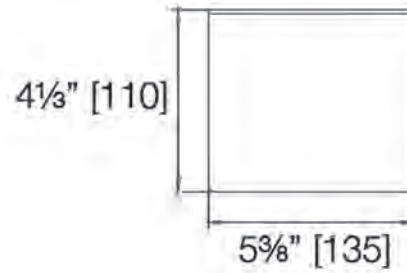
Paper Holder with Shelf

Inside paper width $4\frac{3}{4}$ [120]



8089 _____
 (add finish code)

| | | | |
|----------|------------|-----------|-----|
| C | 137 | <i>MB</i> | 186 |
| | | <i>SG</i> | 186 |
| | | <i>WF</i> | 186 |



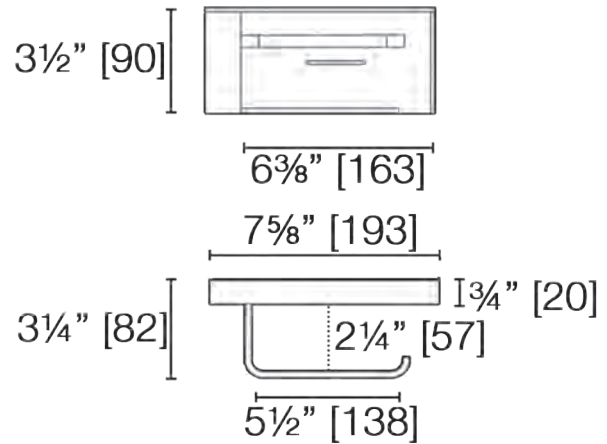
Paper Holder with Shelf

Inside paper width $5\frac{1}{2}$ [138]



9200 _____
 (add finish code)

| | | | |
|----------|------------|-----------|-----|
| C | 205 | <i>BN</i> | 289 |
| | | <i>PN</i> | 289 |
| | | <i>BG</i> | 392 |



"... can I put you on hold..."



May 2023

C Chrome **CG** Chrome with Stone Grey **CM** Chrome with Matte Black **CW** Chrome with White Frost
MB Matte Black **MC** Matte Black with Chrome **MG** Matte Black with Brushed Gold **SG** Stone Grey **WF** White Frost
BN Brushed Nickel **PN** Polished Nickel **BG** Brushed Gold **GD** Polished Gold

CHALLENGE #5 ... RUNNING OUT OF PAPER
 THE SOLUTION ... A SPARE OR DOUBLE IS A NECESSITY



ALL LaLOO paper holders will accommodate popular brands of toilet paper which come in multiple sizes of regular, premium and mega.

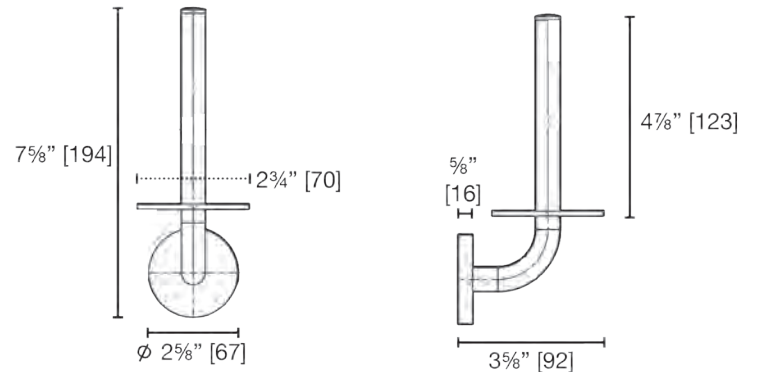


Extra Roll Paper Holder

Vertical presentation
 Fits regular and premium sheet size.

5305 _____
 (add finish code)

| | | | | |
|--------------|-----------|-----|-----------|-----|
| C 102 | <i>MB</i> | 124 | <i>BN</i> | 153 |
| | <i>SG</i> | 124 | <i>PN</i> | 153 |
| | <i>WF</i> | 124 | <i>BG</i> | 186 |
| | | | <i>GD</i> | 186 |
| | | | | |



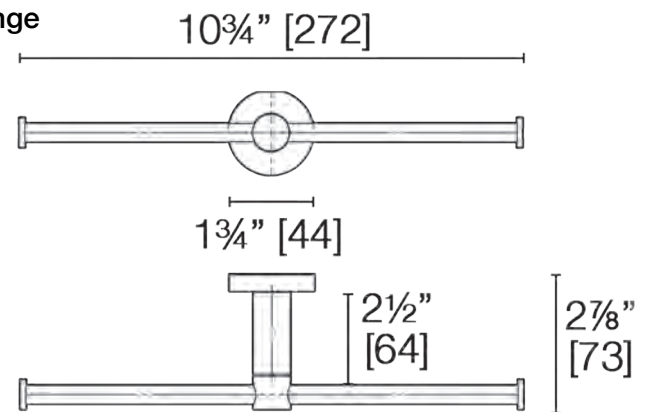
Double Paper Holder - round flange

Inside paper width 4 7/8" [123]



3025 _____
 (add finish code)

| | | |
|-------------|-----------|-----|
| C 96 | <i>MB</i> | 129 |
| | <i>SG</i> | 129 |
| | <i>WF</i> | 129 |



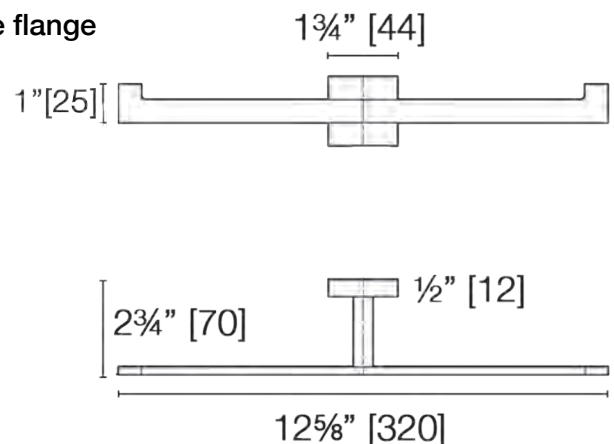
Double Paper Holder - square flange

Inside paper width 5 1/4" [133]

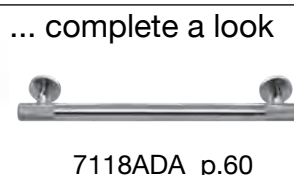


4005 _____
 (add finish code)

| | | | | |
|--------------|-----------|-----|-----------|-----|
| C 116 | <i>MB</i> | 149 | <i>BN</i> | 168 |
| | <i>SG</i> | 149 | <i>PN</i> | 168 |
| | <i>WF</i> | 149 | <i>BG</i> | 216 |
| | | | <i>GD</i> | 216 |



... complete a look



Wire BASKETS

STOCK - Boldface / Special Finish 4 weeks

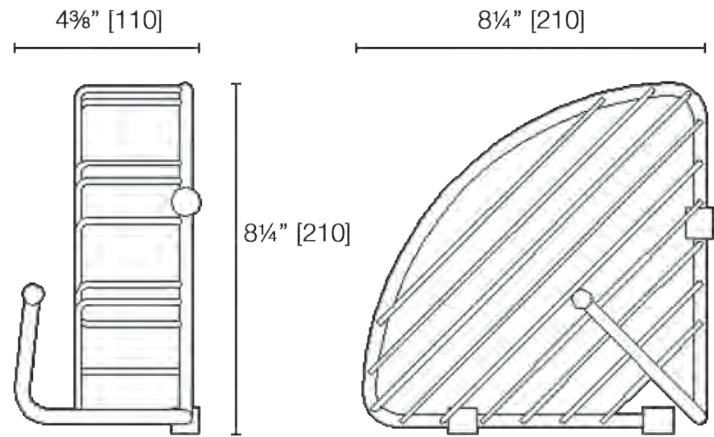
Corner Wire Basket

with additional lower post for hanging loofah or shower gel puff.



3381 _____
(add finish code)

| | | | | | |
|----------|------------|-----------|------------|-----------|------------|
| C | 169 | MB | 225 | BN | 257 |
| | | SG | 225 | PN | 257 |
| | | WF | 225 | BG | 309 |
| | | | | GD | 309 |



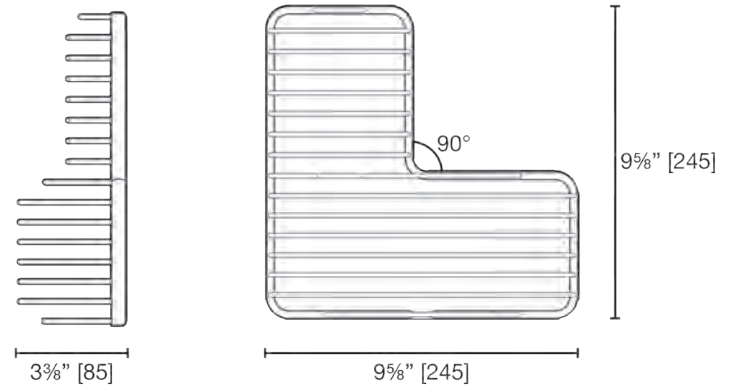
Corner Wire Basket

Two tier basket heights for soap and bottles.



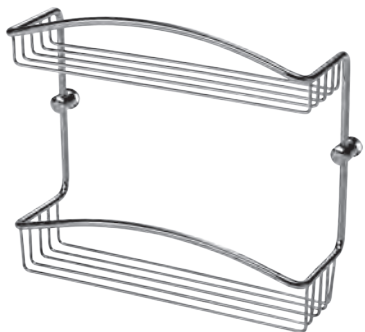
3391 _____
(add finish code)

| | | | | | |
|----------|------------|-----------|------------|-----------|------------|
| C | 193 | MB | 263 | BN | 296 |
| | | SG | 263 | PN | 296 |
| | | WF | 263 | BG | 341 |
| | | | | GD | 341 |



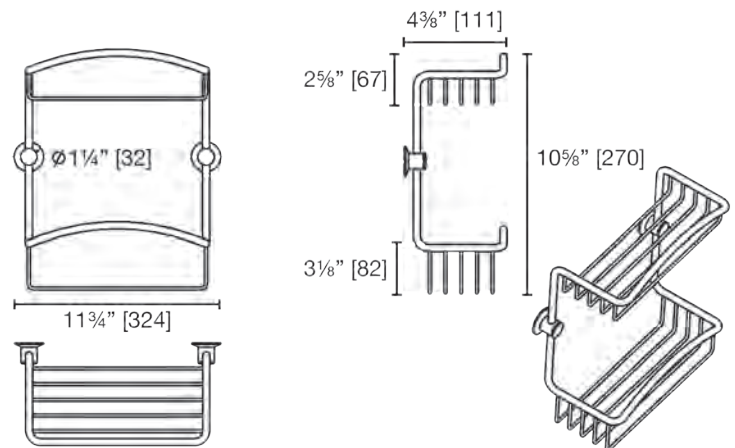
Wire Double Basket

Clearance height between lower basket and the underside of upper basket is 8" [204].



9107 _____
(add finish code)

| | | | | | |
|----------|------------|-----------|-----|-----------|-----|
| C | 279 | MB | 361 | BN | 429 |
| | | MC | 352 | PN | 429 |
| | | MG | 372 | BG | 508 |
| | | SG | 361 | GD | 508 |
| | | WF | 361 | | |



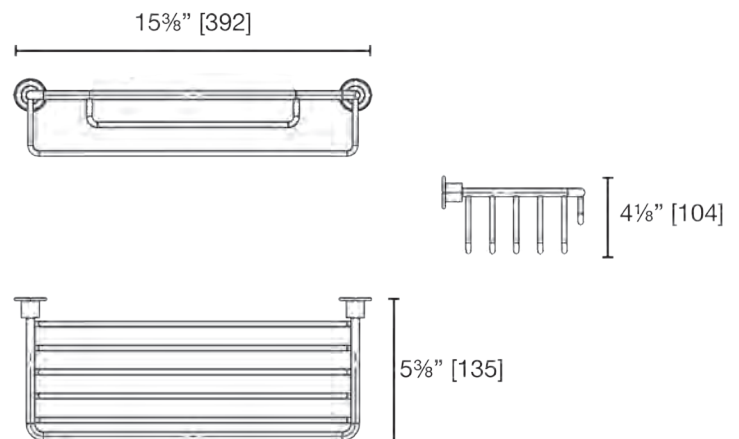
Wire Bottle Basket

Basket width and depth is suitable for economy sized shampoo and conditioner bottles.



9104 _____
(add finish code)

| | | | |
|-----------|------------|-----------|-----|
| PS | 296 | MB | 399 |
| | | SG | 399 |
| | | WF | 399 |



May 2023

C Chrome **CG** Chrome with Stone Grey **CM** Chrome with Matte Black **CW** Chrome with White Frost

MB Matte Black **MC** Matte Black with Chrome **MG** Matte Black with Brushed Gold **SG** Stone Grey **WF** White Frost

BN Brushed Nickel **PN** Polished Nickel **BG** Brushed Gold **GD** Polished Gold **BS** Brushed Stainless **PS** Polished Stainless

CHALLENGE #6 ... NO NEED TO CUT A NICHE IN YOUR TILE
 THE SOLUTION ... WIRE BASKETS ORGANIZE SOAP, BOTTLES & LOOFAHS



9111 Basket securely attaches to enclosure glass.
 Can be installed on 6mm, 8mm & 10mm panels.

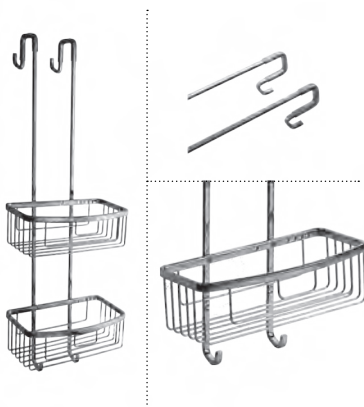
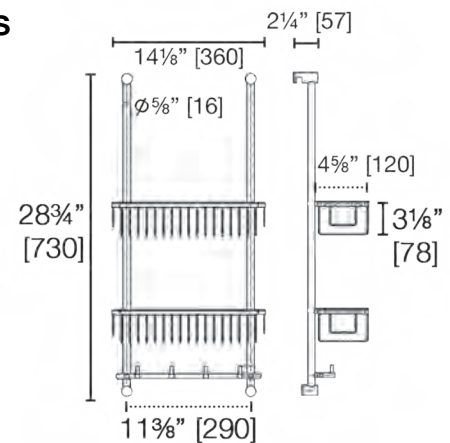


Wire Double Basket with 4 hooks

Basket securely attaches to shower enclosure glass panels.

9111 C

C 535

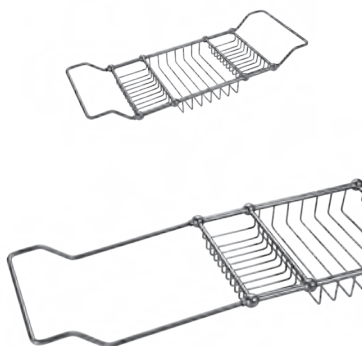
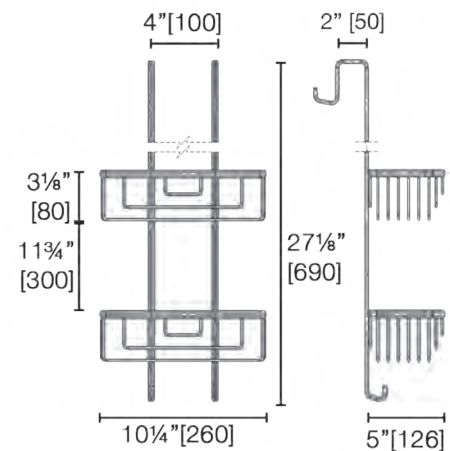


Wire Double Basket

Two hooks located under the lower basket for loofahs.

9101 C

C 349

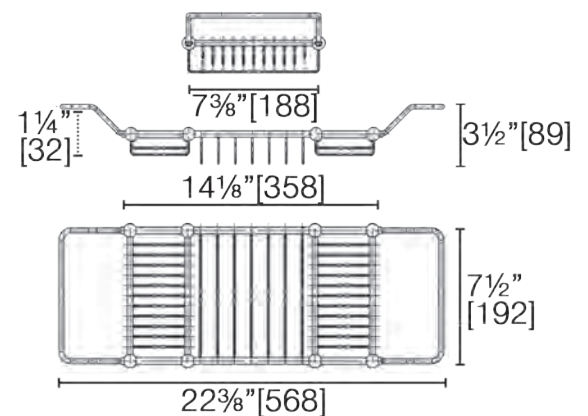


Wire Tub Caddy

Full extension of the caddy is 36 1/2" [926]

9124 C

C 399



8654 p.52



6262 p.43



RZHook p.56

... complete a look

Use metric dimensions for greatest accuracy.
 Specifications are subject to change without notice.

SHOWER SHELVING

STOCK - Boldface / Special Finish 4 weeks

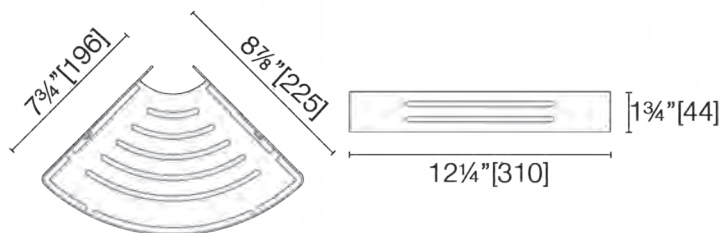
Corner Shower Caddy

polished stainless steel



3440
(add finish code)

| | | | | | |
|-----------|------------|-----------|------------|-----------|------------|
| PS | 157 | MB | 189 | BS | 190 |
| | | SG | 189 | | |
| | | WF | 189 | | |



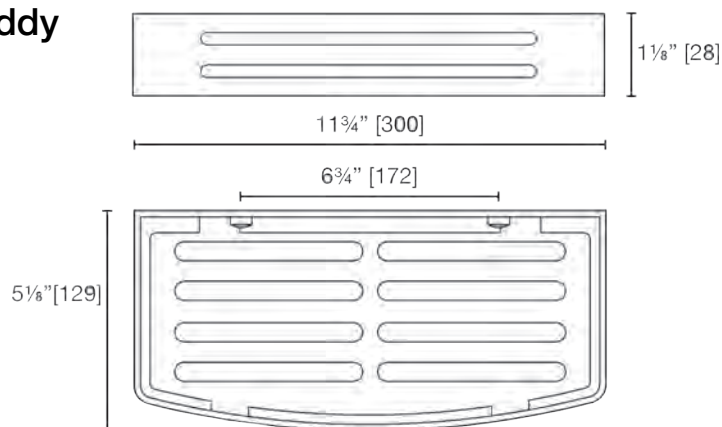
Rectangular Shower Caddy

polished stainless steel



3439
(add finish code)

| | | | | | |
|-----------|------------|-----------|------------|-----------|------------|
| PS | 143 | MB | 175 | BS | 175 |
| | | SG | 175 | | |
| | | WF | 175 | | |



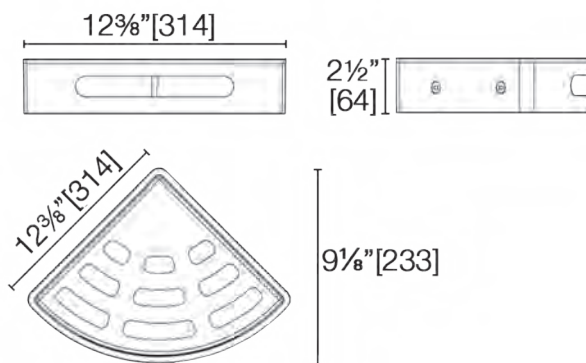
Corner Shower Caddy

removeable interior PVC basket



CB3431 C

C 116



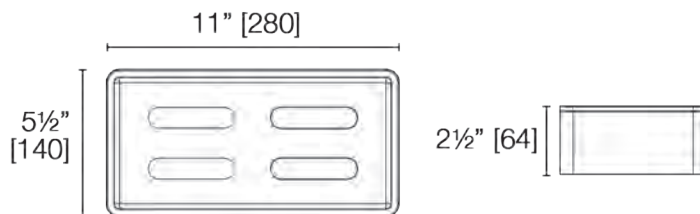
Rectangular Shower Caddy

removeable interior PVC basket



CB3432 C

C 104



C Chrome **CG** Chrome with Stone Grey **CM** Chrome with Matte Black **CW** Chrome with White Frost

MB Matte Black **MC** Matte Black with Chrome **MG** Matte Black with Brushed Gold **SG** Stone Grey **WF** White Frost

BN Brushed Nickel **PN** Polished Nickel **BG** Brushed Gold **GD** Polished Gold **BS** Brushed Stainless **PS** Polished Stainless

CHALLENGE #7 ... ONE SHOWER - MANY USERS - MULTIPLE PRODUCTS
 THE SOLUTION ... **SHELVING** KEEPS TOILETRIES AT HAND

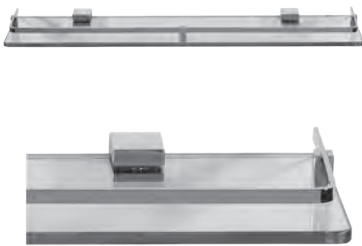
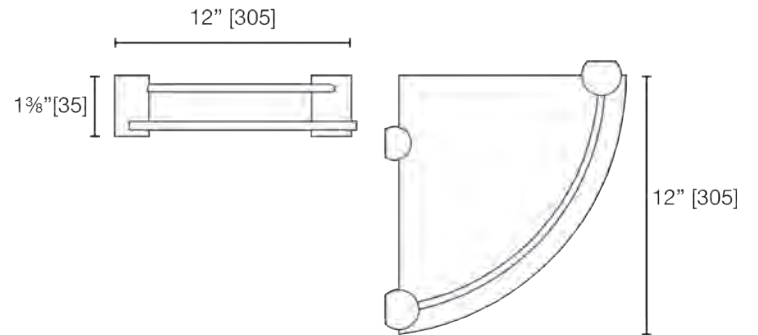


Corner Glass Shelf with railing

Floating bracket can be installed left or right.
 P5611T GS Replacement tempered shelf - page 84.

5611T ____

| | | | | | |
|----------|------------|-----------|------------|-----------|------------|
| C | 179 | MB | 226 | BN | 248 |
| | | SG | 226 | PN | 248 |
| | | WF | 226 | BG | 312 |
| | | | | GD | 312 |

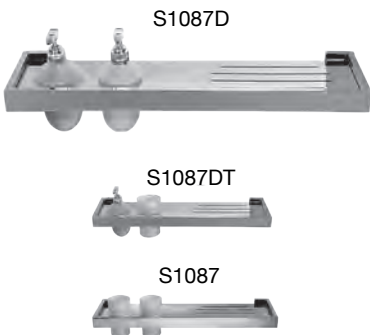
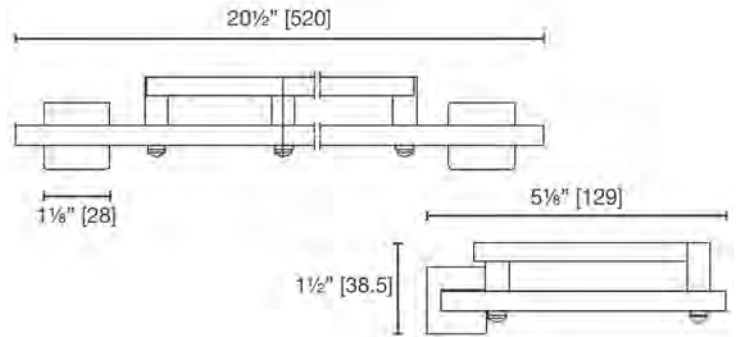


Karre II Glass Shelf with railing

Floating brackets can be positioned to secure on stud(s).
 Replacement shelf on page 84.

K9387 C

C 147

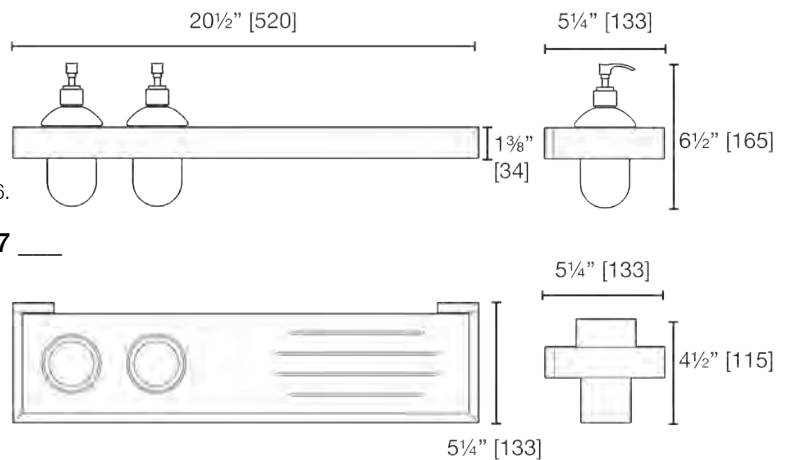


Slotted Stainless Shelf

Comes with choice of tumbler or dispensers - S1087D (2 dispensers)
 S1087DT (dispenser & tumbler)
 S1087 (2 tumblers)
 Replacement accessories on page 85 & 86.

S1087D ____ **S1087DT** ____ **S1087** ____
 (add finish code)

| | | | |
|----------|------------|-----------|-----|
| C | 349 | MB | 454 |
| | | SG | 454 |
| | | WF | 454 |



... complete a look



Use metric dimensions for greatest accuracy.
 Specifications are subject to change without notice.

K9385D p.54

K9382 p.54

M04236LAD p.69

Hooks

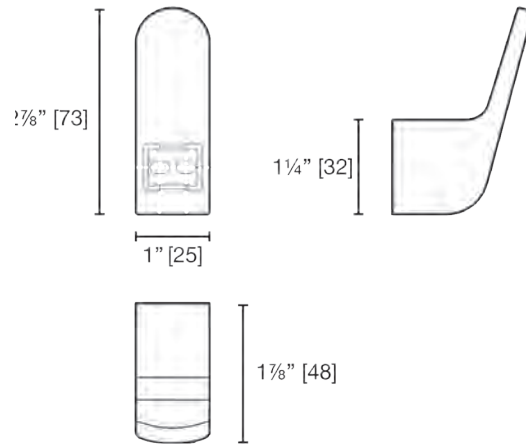
STOCK - Boldface / Special Finish 4 weeks



Single Hook
 { complementary collection
 Eaton

7116-1 ___

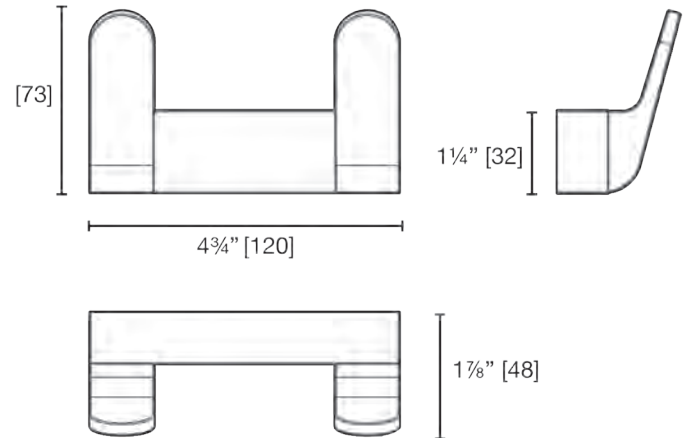
| | | | | | |
|----------|-----------|-----------|-----------|-----------|-----------|
| C | 56 | MB | 69 | BN | 79 |
| | | SG | 69 | PN | 79 |
| | | WF | 69 | BG | 99 |
| | | | | GD | 99 |



2 Hook Strip
 { complementary collection
 Eaton

7116-2 ___

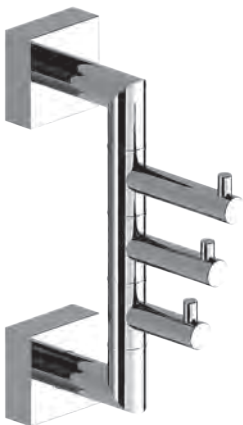
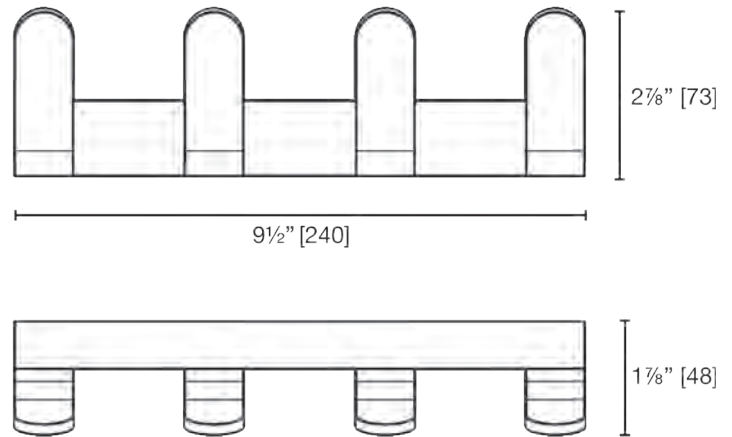
| | | | | | |
|----------|------------|-----------|------------|-----------|------------|
| C | 104 | MB | 129 | BN | 147 |
| | | SG | 129 | PN | 147 |
| | | WF | 129 | BG | 186 |
| | | | | GD | 186 |



4 Hook Strip
 { complementary collection
 Eaton

7116-4 ___

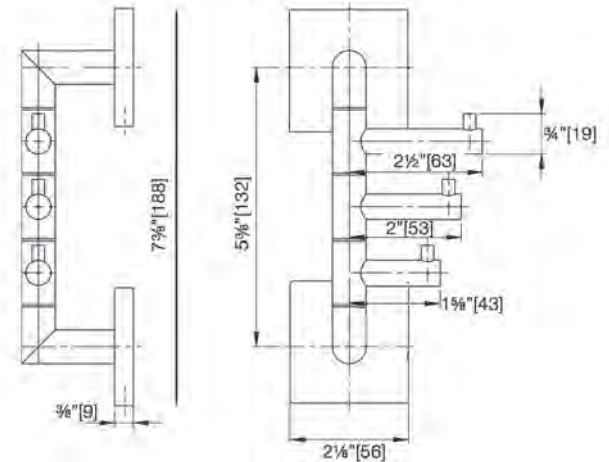
| | | | | | |
|----------|------------|-----------|------------|-----------|------------|
| C | 183 | MB | 228 | BN | 259 |
| | | SG | 228 | PN | 259 |
| | | WF | 228 | BG | 317 |
| | | | | GD | 317 |



3 Hook - Stacked Hinged Pivot
 Square Wall Flange

8654 C

C 142



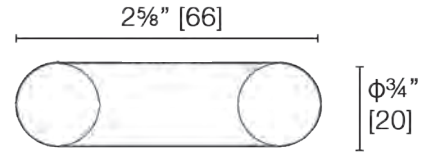
May 2023

C Chrome **CG** Chrome with Stone Grey **CM** Chrome with Matte Black **CW** Chrome with White Frost
MB Matte Black **MC** Matte Black with Chrome **MG** Matte Black with Brushed Gold **SG** Stone Grey **WF** White Frost
BN Brushed Nickel **PN** Polished Nickel **BG** Brushed Gold **GD** Polished Gold

CHALLENGE #8 ... WHAT ROOMS ARE SUITABLE FOR HOOKS
 THE SOLUTION ... BATHROOM, KITCHEN, MUDROOM, ENTRANCE

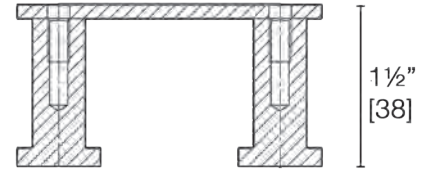


Double Hook Strip

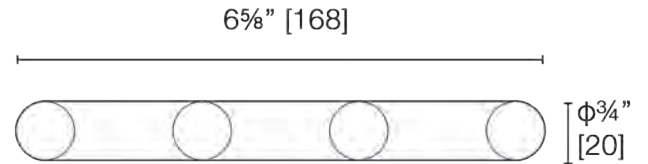


2605-2 _____
 (add finish code)

| | | | |
|----------|-----------|----|----|
| C | 41 | MB | 55 |
| | | SG | 55 |
| | | WF | 55 |

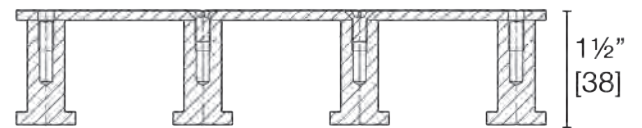


4 Hook Strip

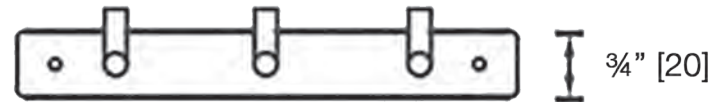


2605-4 _____
 (add finish code)

| | | | |
|----------|-----------|----|----|
| C | 77 | MB | 99 |
| | | SG | 99 |
| | | WF | 99 |

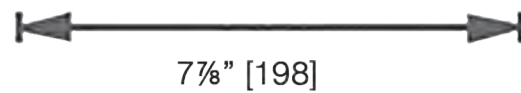


3 Hook Strip



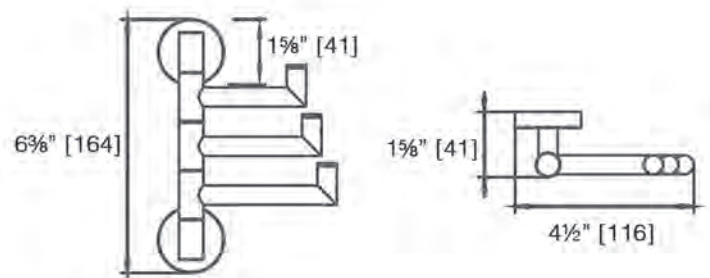
8156-3 _____
 (add finish code)

| | | | | | |
|----------|------------|----|-----|----|-----|
| C | 102 | MB | 119 | BN | 139 |
| | | SG | 119 | PN | 139 |
| | | WF | 119 | BG | 164 |
| | | | | GD | 164 |



3 Hook - Stacked Hinged Pivot
 Round Wall Flange

8127 C
C 139



... complete a look



Use metric dimensions for greatest accuracy.
 Specifications are subject to change without notice.

Hooks

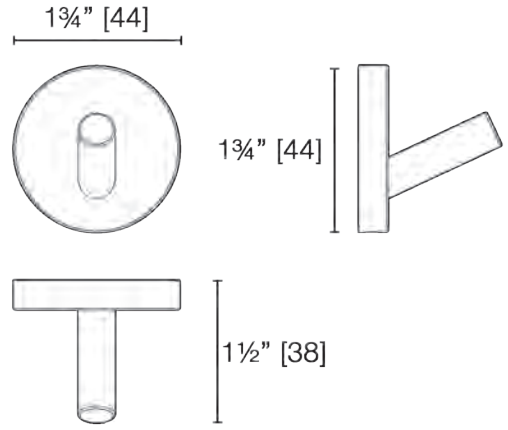
STOCK - Boldface / Special Finish 4 weeks



Single Hook

7115-1 C

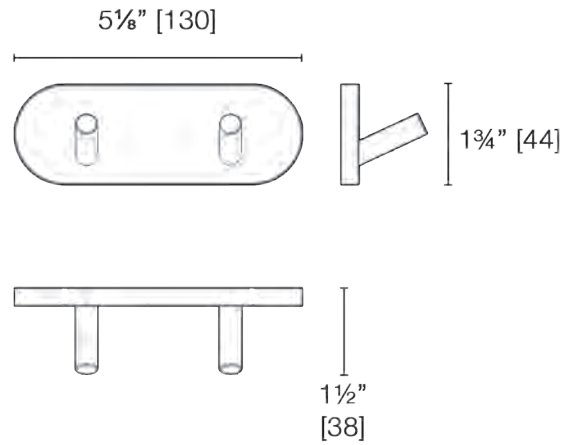
C 45



2 Hook Strip

7115-2 C

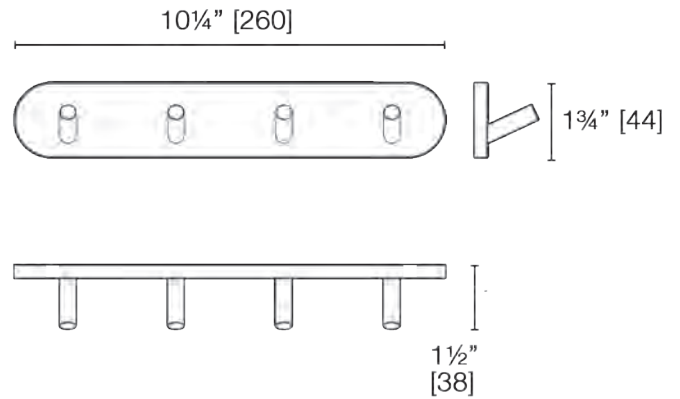
C 70



4 Hook Strip

7115-4 C

C 126

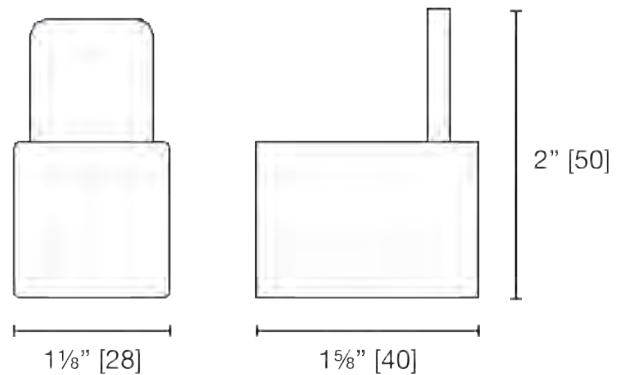


Karre II Single Hook

Square Wall Flange

K9382 ____

C 45 | BN 58



May 2023

C Chrome CG Chrome with Stone Grey CM Chrome with Matte Black CW Chrome with White Frost
 MB Matte Black MC Matte Black with Chrome MG Matte Black with Brushed Gold SG Stone Grey WF White Frost
 BN Brushed Nickel PN Polished Nickel BG Brushed Gold GD Polished Gold

CHALLENGE #8 ... WHAT ROOMS ARE SUITABLE FOR HOOKS
 THE SOLUTION ... BATHROOM, KITCHEN, MUDROOM, ENTRANCE



3M™ VHB™ Tapes are high-strength, double-sided acrylic foam tapes which quickly create a permanent bond that actually builds strength over time.

The soft conformable foam molds to irregular surfaces and joins a variety of materials including aluminum, steel, brass, glass, plastics and painted and powder-coated surfaces with a tensile strength of 90lbs. [3M 5952 specification]



Maximize the longevity of your 3M application.



3M Tape Primer 94

Primer for porous and uneven painted/drywall surfaces.
 PMC70000 - p.56



3M Silane Glass Treatment

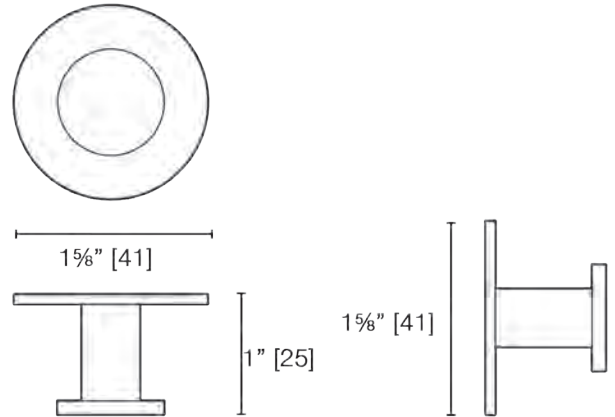
Preparation of shower enclosure glass or tile with solvent to increase adhesion of 3M™ VHB™ tapes.
 3MSilane - pg.56



Single Hook 3M

7118-1 C

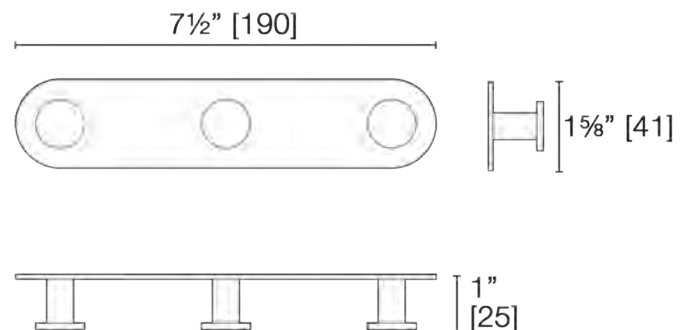
C 33



3 Hook Strip 3M

7118-3 C

C 81



... complete a look



Use metric dimensions for greatest accuracy.
 Specifications are subject to change without notice.

3230R p.64

3218 p.63

H00514L p.71

Hooks & SQUEEGEES



3M Razor Hook

{ complementary accessory
S0100 and S0200 squeegees

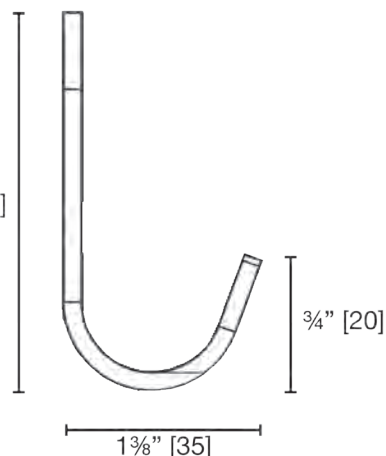
RZHook

| | | | | | |
|----------|-----------|-----------|-----------|-----------|-----------|
| C | 31 | MB | 41 | BN | 48 |
| | | SG | 41 | PN | 48 |
| | | WF | 41 | BG | 54 |
| | | | | GD | 54 |



1" [25]

2½" [64]



1⅜" [35]

¾" [20]

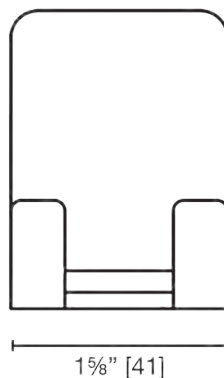


3M Razor Hook - angular

{ complementary accessory
SS0100 and SS0200 squeegee

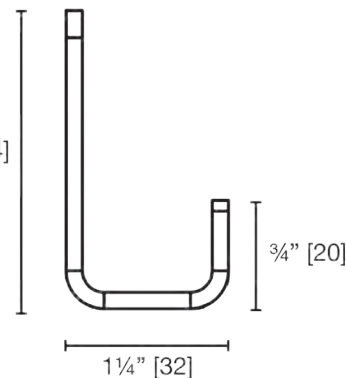
SRZHook

| | | | | | |
|----------|-----------|-----------|-----------|-----------|-----------|
| C | 52 | MB | 68 | BN | 75 |
| | | SG | 68 | PN | 75 |
| | | WF | 68 | BG | 88 |
| | | | | GD | 88 |



1⅝" [41]

2⅞" [54]



1¼" [32]

¾" [20]



3M Silane Glass/Tile Cleaner

Prepare glass or tile surface for 3M Tape
4 oz. Spray

3MSilane

C 20

3M Drywall Primer

Primer for porous and uneven painted/drywall surfaces.



3MC70000

C 5

C Chrome **CG** Chrome with Stone Grey **CM** Chrome with Matte Black **CW** Chrome with White Frost
MB Matte Black **MC** Matte Black with Chrome **MG** Matte Black with Brushed Gold **SG** Stone Grey **WF** White Frost
BN Brushed Nickel **PN** Polished Nickel **BG** Brushed Gold **GD** Polished Gold

CHALLENGE #9 ... DEALING WITH CALCIUM ACCUMULATION ON DOORS

THE SOLUTION ... PROMPTLY SQUEEGEE FOR CRYSTAL CLEAR GLASS

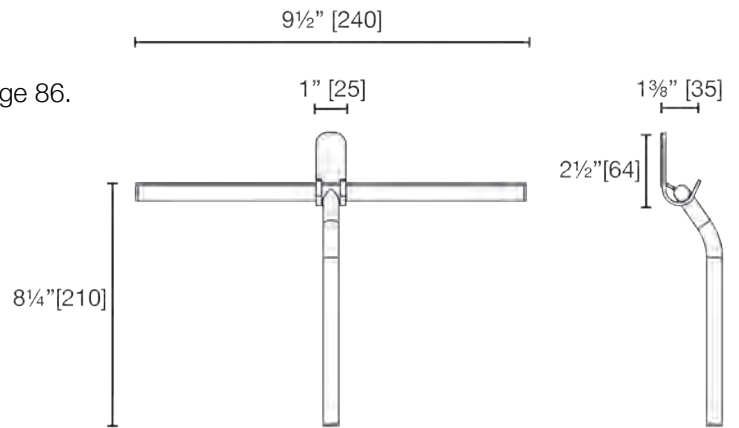


Shower Squeegee - 9 1/2

Replacement rubber squeegee on page 86.
PS0100

S0100 _____
(add finish code)

| | | | | | |
|----------|------------|-----------|------------|-----------|------------|
| C | 121 | MB | 157 | BN | 187 |
| | | MC | 143 | PN | 187 |
| | | MG | 169 | BG | 232 |
| | | SG | 157 | GD | 232 |
| | | WF | 157 | | |

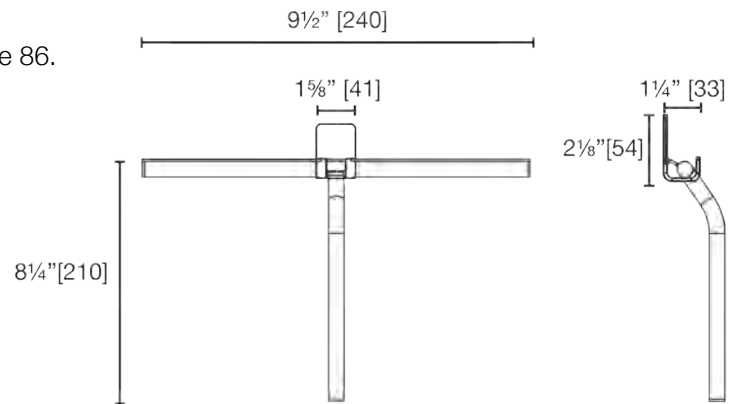


Shower Squeegee - 9 1/2

Replacement rubber squeegee on page 86.
PS0100

SS0100 _____
(add finish code)

| | | | | | |
|----------|------------|-----------|------------|-----------|------------|
| C | 144 | MB | 184 | BN | 215 |
| | | MC | 169 | PN | 215 |
| | | MG | 205 | BG | 271 |
| | | SG | 184 | GD | 271 |
| | | WF | 184 | | |

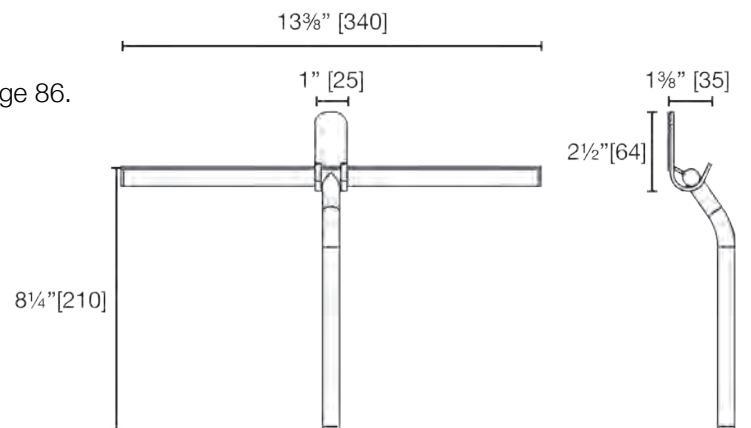


Shower Squeegee - 13 3/8

Replacement rubber squeegee on page 86.
PS0200

S0200 _____
(add finish code)

| | | | | | |
|----------|------------|-----------|------------|-----------|------------|
| C | 143 | MB | 183 | BN | 212 |
| | | MC | 174 | PN | 212 |
| | | MG | 197 | BG | 257 |
| | | SG | 183 | GD | 257 |
| | | WF | 183 | | |

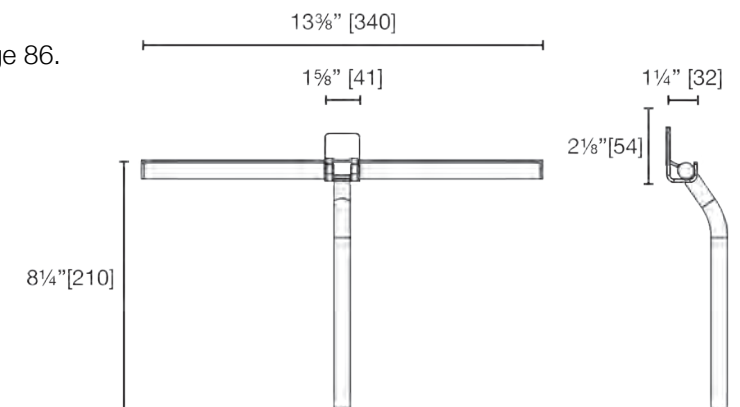


Shower Squeegee - 13 3/8

Replacement rubber squeegee on page 86.
PS0200

SS0200 _____
(add finish code)

| | | | | | |
|----------|------------|-----------|------------|-----------|------------|
| C | 165 | MB | 211 | BN | 239 |
| | | MC | 195 | PN | 239 |
| | | MG | 231 | BG | 289 |
| | | SG | 211 | GD | 289 |
| | | WF | 211 | | |



... complete a look



9003 p.44



D7112ADA p.61



M00536LA p.70

ADA Compliance



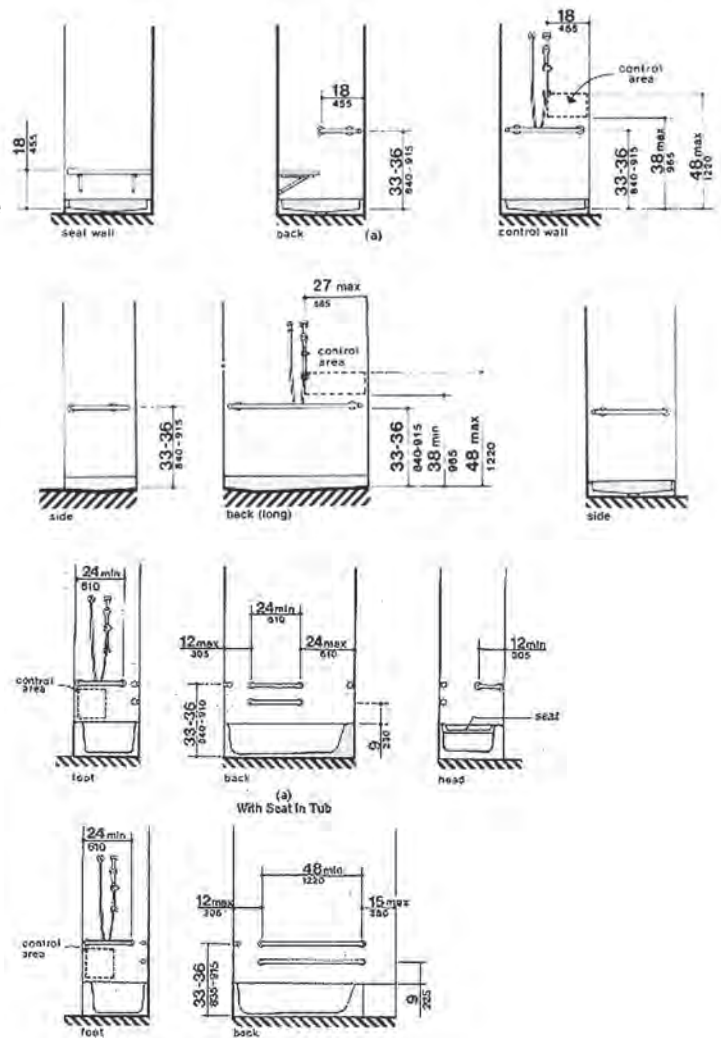
ADA compliance means buildings (renovations) meet the standards set out by the *Americans with Disabilities Act* (ADA). These safety compliance measures include handrails and grab bars that increase safety on stairs, entrance/exit doorways and bathrooms.

<https://www.ada.gov/search/?utf8=✓&affiliate=justice-ada&query=grab+bar>

An L-shaped grab bar or *two single grab bars* with the ends close together will be located along the full depth of the control wall opposite the seat and halfway along the back wall (18 inches [455mm]). The grab bar(s) will be mounted 33-36 inches [840-915 mm] above the shower floor measured at the entrance.

To reach maximum load capacities, grab bars must be installed on backing.

Mark location for installation:
 Unscrew the decorative flange covers.
Use painters masking tape to hold the decorative flange apart from the wall flange.
 Use a pencil to mark wall.



Specific tools for installation:

There are 2 different wrenches recommended for the installation of grab bar wall flanges. Choose between a key wrench or an offset wrench.



offset wrench



key wrench

CHALLENGE #10 ... WHEN GRAB BARS ARE A NECESSITY THE SOLUTION ... SAFETY IN THE SHOWER IS FOR ALL AGES

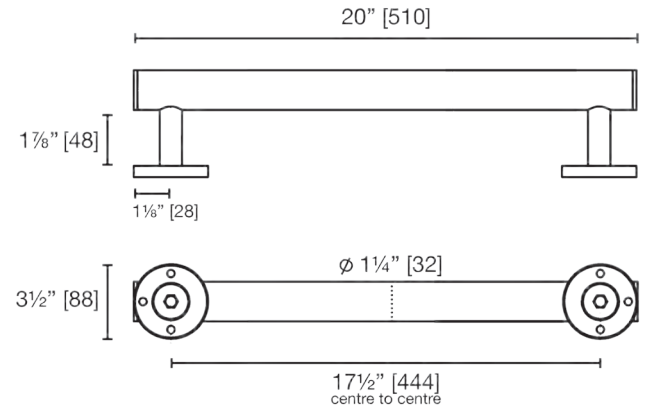
Safety Bar - Round Flange 20

Weight Capacity - 396lbs [180kg]
Safety bar complies with ADA standards.

Requires backing behind drywall.

R3218ADA _____
(add finish code)

| | | | | | |
|----------|------------|-----------|------------|-----------|-----|
| C | 237 | MB | 311 | <i>BN</i> | 337 |
| | | <i>MC</i> | 296 | <i>PN</i> | 337 |
| | | <i>MG</i> | 333 | <i>BG</i> | 422 |
| | | <i>SG</i> | 311 | <i>GD</i> | 422 |
| | | <i>WF</i> | 311 | | |



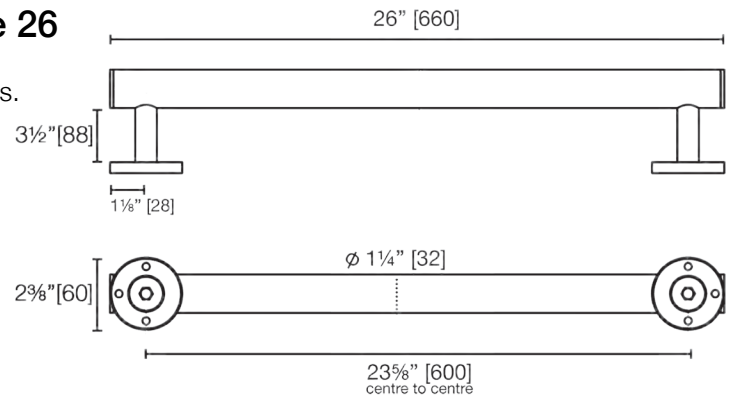
Safety Bar - Round Flange 26

Weight Capacity - 396lbs [180kg]
Safety bar complies with ADA standards.

Requires backing behind drywall.

R3224ADA _____
(add finish code)

| | | | | | |
|----------|------------|-----------|------------|-----------|-----|
| C | 268 | MB | 352 | <i>BN</i> | 379 |
| | | <i>MC</i> | 333 | <i>PN</i> | 379 |
| | | <i>MG</i> | 373 | <i>BG</i> | 458 |
| | | <i>SG</i> | 352 | <i>GD</i> | 458 |
| | | <i>WF</i> | 352 | | |



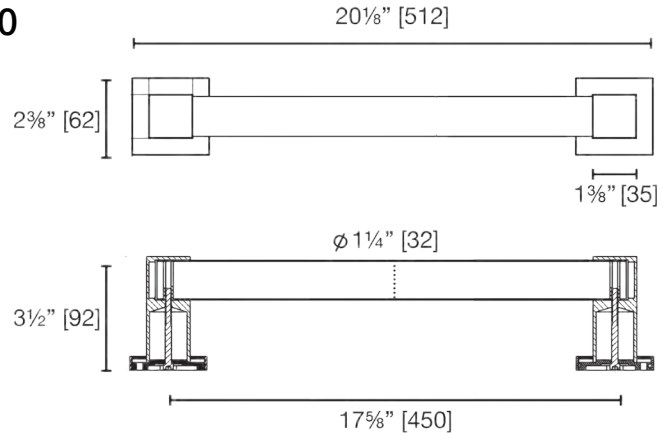
Safety Bar - Square Flange 20

Weight Capacity - 396lbs [180kg]
Safety bar complies with ADA standards.

Requires backing behind drywall.

S3218ADA _____
(add finish code)

| | | | | | |
|----------|------------|-----------|------------|-----------|-----|
| C | 316 | MB | 412 | <i>BN</i> | 445 |
| | | <i>MC</i> | 395 | <i>PN</i> | 445 |
| | | <i>MG</i> | 423 | <i>BG</i> | 487 |
| | | <i>SG</i> | 412 | <i>GD</i> | 487 |
| | | <i>WF</i> | 412 | | |



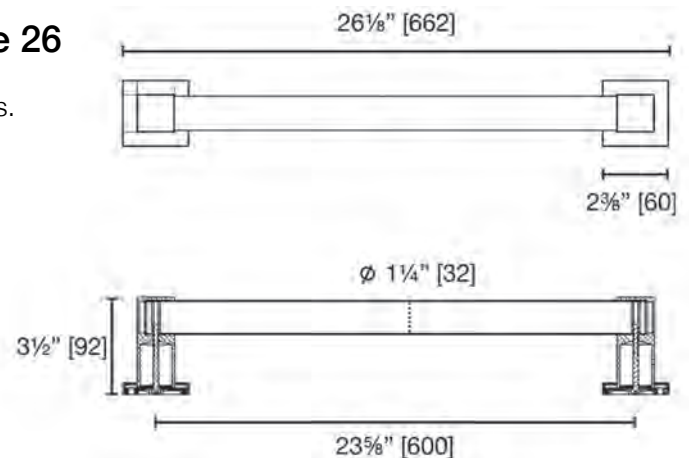
Safety Bar - Square Flange 26

Weight Capacity - 396lbs [180kg]
Safety bar complies with ADA standards.

Requires backing behind drywall.

S3224ADA _____
(add finish code)

| | | | | | |
|----------|------------|-----------|------------|-----------|-----|
| C | 356 | MB | 465 | <i>BN</i> | 499 |
| | | <i>MC</i> | 444 | <i>PN</i> | 499 |
| | | <i>MG</i> | 499 | <i>BG</i> | 635 |
| | | <i>SG</i> | 465 | <i>GD</i> | 635 |
| | | <i>WF</i> | 465 | | |



... complete a look



Use metric dimensions for greatest accuracy.
Specifications are subject to change without notice.

Safety Bars

STOCK - Boldface / Special Finish 4 weeks

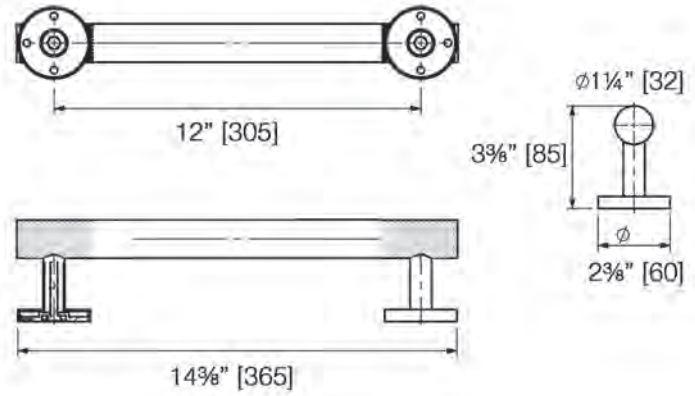
Safety Bar - Knurled 14³/₈"

Weight Capacity - 396lbs [180kg]
Safety bar complies with ADA standards.

Requires backing behind drywall.

7112ADA _____
(add finish code)

| | | | | | |
|----------|------------|-----------|------------|-----------|-----|
| C | 274 | MB | 323 | <i>BN</i> | 341 |
| | | <i>MC</i> | 307 | <i>PN</i> | 341 |
| | | <i>MG</i> | 329 | <i>BG</i> | 372 |
| | | <i>SG</i> | 323 | <i>GD</i> | 372 |
| | | <i>WF</i> | 323 | | |



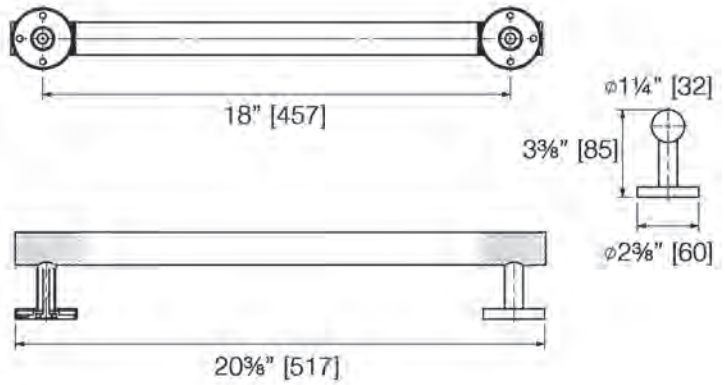
Safety Bar - Knurled 20³/₈"

Weight Capacity - 396lbs [180kg]
Safety bar complies with ADA standards.

Requires backing behind drywall.

7118ADA _____
(add finish code)

| | | | | | |
|----------|------------|-----------|------------|-----------|-----|
| C | 338 | MB | 389 | <i>BN</i> | 432 |
| | | <i>MC</i> | 349 | <i>PN</i> | 432 |
| | | <i>MG</i> | 399 | <i>BG</i> | 459 |
| | | <i>SG</i> | 389 | <i>GD</i> | 459 |
| | | <i>WF</i> | 389 | | |



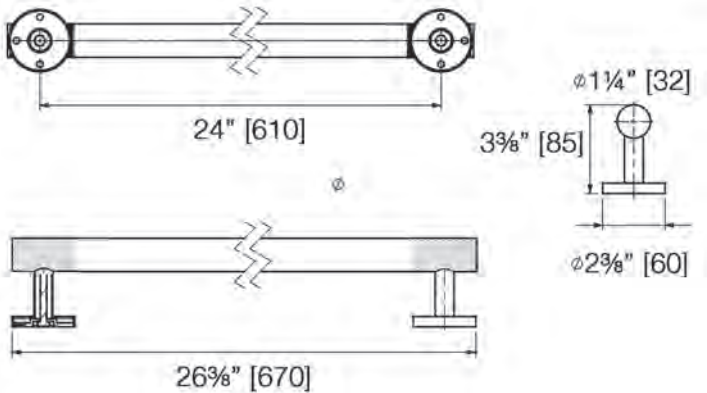
Safety Bar - Knurled 26³/₈"

Weight Capacity - 396lbs [180kg]
Safety bar complies with ADA standards.

Requires backing behind drywall.

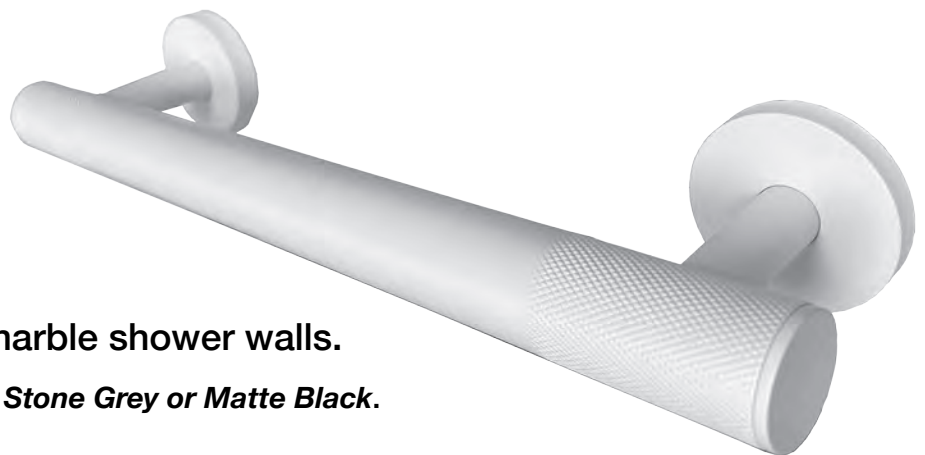
7124ADA _____
(add finish code)

| | | | | | |
|----------|------------|-----------|------------|-----------|-----|
| C | 384 | MB | 440 | <i>BN</i> | 489 |
| | | <i>MC</i> | 427 | <i>PN</i> | 489 |
| | | <i>MG</i> | 465 | <i>BG</i> | 513 |
| | | <i>SG</i> | 440 | <i>GD</i> | 513 |
| | | <i>WF</i> | 440 | | |



Complement your granite or marble shower walls.

Add a powder coat finish in **White Frost**, **Stone Grey** or **Matte Black**.



C Chrome **CG** Chrome with Stone Grey **CM** Chrome with Matte Black **CW** Chrome with White Frost

MB Matte Black **MC** Matte Black with Chrome **MG** Matte Black with Brushed Gold **SG** Stone Grey **WF** White Frost

BN Brushed Nickel **PN** Polished Nickel **BG** Brushed Gold **GD** Polished Gold

CHALLENGE #10 ... WHEN GRAB BARS ARE A NECESSITY THE SOLUTION ... SAFETY IN THE SHOWER IS FOR ALL AGES

NEW
August



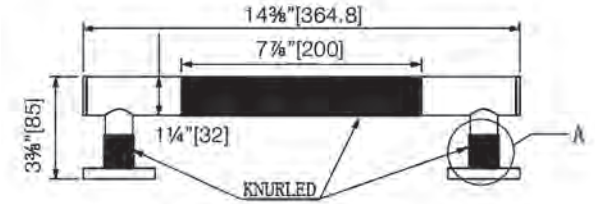
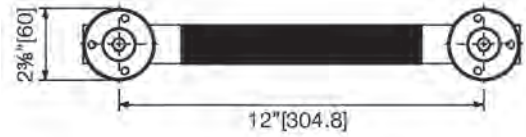
Draft ADA Safety Bar 14³/₈

Weight Capacity - 396lbs [180kg]
Safety bar complies with ADA standards.

Requires backing behind drywall.

D7112ADA _____
(add finish code)

| | | | | | |
|-----------|------------|-----------|------------|-----------|-----|
| C | 289 | MB | 379 | <i>BN</i> | 376 |
| <i>CG</i> | 318 | MC | 359 | <i>PN</i> | 376 |
| <i>CM</i> | 318 | MG | 389 | <i>BG</i> | 389 |
| <i>CW</i> | 318 | | | <i>GD</i> | 389 |



NEW
August



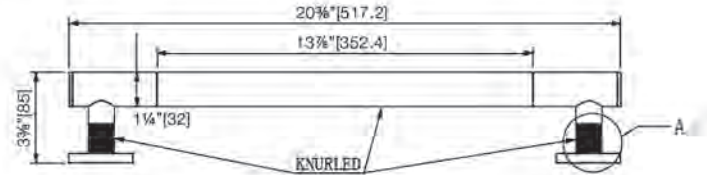
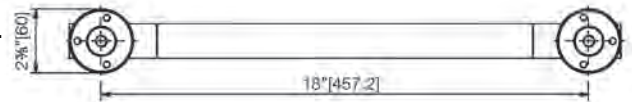
Draft ADA Safety Bar 20³/₈

Weight Capacity - 396lbs [180kg]
Safety bar complies with ADA standards.

Requires backing behind drywall.

D7118ADA _____
(add finish code)

| | | | | | |
|-----------|------------|-----------|------------|-----------|-----|
| C | 349 | MB | 449 | <i>BN</i> | 454 |
| <i>CG</i> | 384 | MC | 427 | <i>PN</i> | 454 |
| <i>CM</i> | 384 | MG | 462 | <i>BG</i> | 499 |
| <i>CW</i> | 384 | | | <i>GD</i> | 499 |



NEW
August



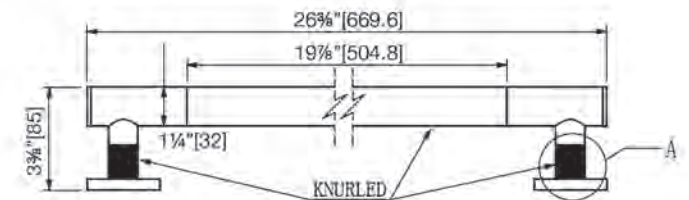
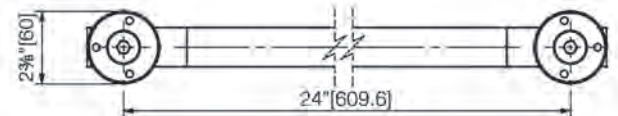
Draft ADA Safety Bar 26³/₈

Weight Capacity - 396lbs [180kg]
Safety bar complies with ADA standards.

Requires backing behind drywall.

D7124ADA _____
(add finish code)

| | | | | | |
|-----------|------------|-----------|------------|-----------|-----|
| C | 399 | MB | 509 | <i>BN</i> | 511 |
| <i>CG</i> | 439 | MC | 484 | <i>PN</i> | 511 |
| <i>CM</i> | 439 | MG | 524 | <i>BG</i> | 639 |
| <i>CW</i> | 439 | | | <i>GD</i> | 639 |



NEW
August



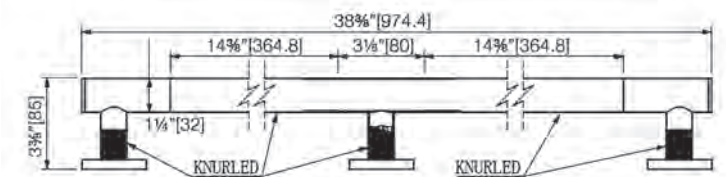
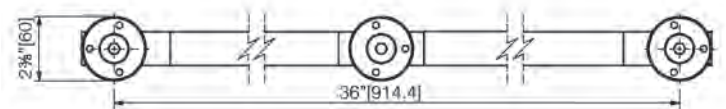
Draft ADA Safety Bar 38³/₈

Weight Capacity - 396lbs [180kg]
Safety bar complies with ADA standards.

Requires backing behind drywall.

D7136ADA _____
(add finish code)

| | | | | | |
|-----------|------------|-----------|------------|-----------|-----|
| C | 519 | MB | 664 | <i>BN</i> | 675 |
| <i>CG</i> | 571 | MC | 631 | <i>PN</i> | 675 |
| <i>CM</i> | 571 | MG | 684 | <i>BG</i> | 829 |
| <i>CW</i> | 571 | | | <i>GD</i> | 829 |



... complete a look



9301 p.61



D7183 p.9



H02436LD p.70

Use metric dimensions for greatest accuracy.
Specifications are subject to change without notice.

DECORATIVE GRAB BARS

Hang on for stability.



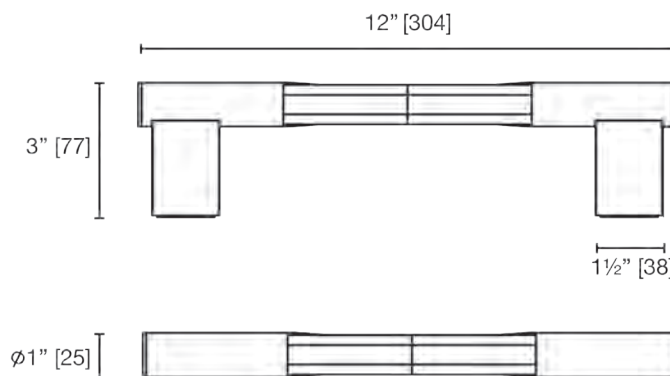
Grab Bar - Straight 12

Weight Capacity - 352lbs [160kg]

Requires backing behind drywall.

2602 _____
(add finish code)

| | | | | | |
|----------|------------|-----------|------------|-----------|------------|
| C | 201 | MB | 253 | BN | 299 |
| | | SG | 253 | PN | 299 |
| | | WF | 253 | BG | 367 |
| | | | | GD | 367 |



May 2023



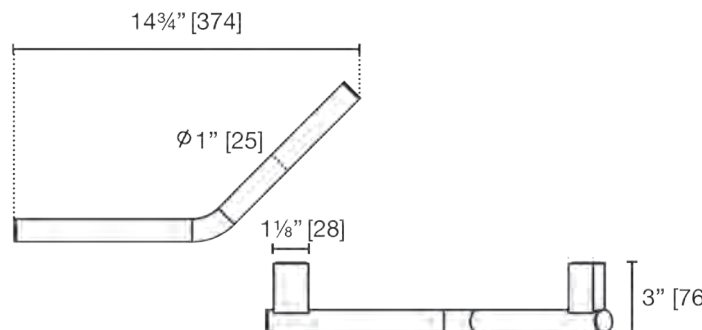
Grab Bar - Angle 14³/₄

Weight Capacity - 352lbs [160kg]

Requires backing behind drywall.

6029 _____
(add finish code)

| | | | | | |
|----------|------------|-----------|------------|-----------|------------|
| C | 248 | MB | 306 | BN | 357 |
| | | SG | 306 | PN | 357 |
| | | WF | 306 | BG | 429 |
| | | | | GD | 429 |



When planning your new home for longevity,
install decorative grab bars at the
intersection of hallways and entrances.

Plan for installation on both the
outside and inside of patio doors.



C Chrome **CG** Chrome with Stone Grey **CM** Chrome with Matte Black **CW** Chrome with White Frost
MB Matte Black **MC** Matte Black with Chrome **MG** Matte Black with Brushed Gold **SG** Stone Grey **WF** White Frost
BN Brushed Nickel **PN** Polished Nickel **BG** Brushed Gold **GD** Polished Gold

CHALLENGE #10 ... WHEN GRAB BARS ARE A NECESSITY THE SOLUTION ... SAFETY IN THE SHOWER IS FOR ALL AGES

Grab Bar - Straight 20¹/₈"

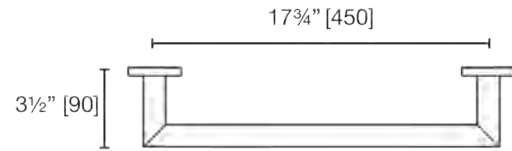
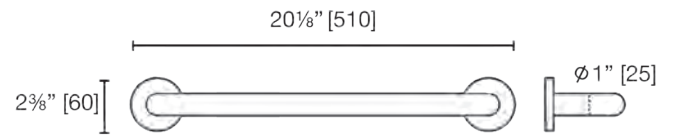
Weight Capacity - 264lbs [120kg]



Requires backing behind drywall.

3218 _____
(add finish code)

| | | | | | |
|----------|------------|----------------------|-----------|-----------|-----|
| C | 211 | MB 273 | <i>BN</i> | 315 | |
| | | <i>SG</i> | 273 | <i>PN</i> | 315 |
| | | <i>WF</i> | 273 | <i>BG</i> | 379 |
| | | | | <i>GD</i> | 379 |



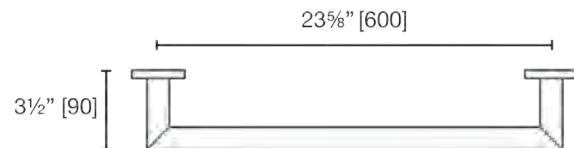
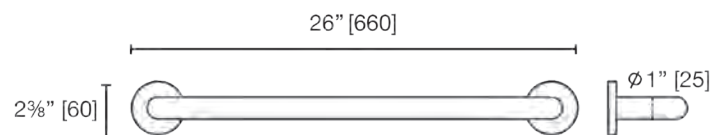
Grab Bar - Straight 26"

Weight Capacity - 374lbs [170kg]

Requires backing behind drywall.

3224 _____
(add finish code)

| | | | | | |
|----------|------------|----------------------|-----------|-----------|-----|
| C | 245 | MB 317 | <i>BN</i> | 363 | |
| | | <i>SG</i> | 317 | <i>PN</i> | 363 |
| | | <i>WF</i> | 317 | <i>BG</i> | 459 |
| | | | | <i>GD</i> | 459 |



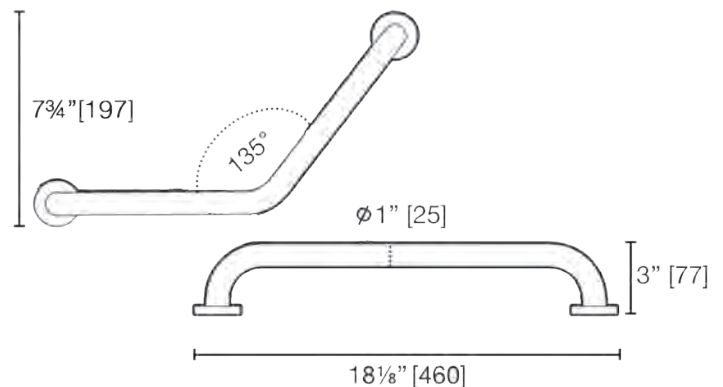
Grab Bar - Angle 18¹/₈"

Weight Capacity - 264lbs [120kg]

Requires backing behind drywall.

1013 _____
(add finish code)

| | | | | | |
|----------|------------|----------------------|----------------------|-----------|-----|
| C | 163 | MB 215 | BN 249 | | |
| | | <i>MC</i> | 206 | <i>PN</i> | 249 |
| | | <i>MG</i> | 226 | <i>BG</i> | 295 |
| | | <i>SG</i> | 215 | <i>GD</i> | 295 |
| | | <i>WF</i> | 215 | | |



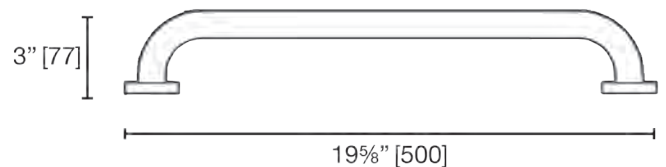
Grab Bar - Straight 19⁵/₈"

Weight Capacity - 264lbs [120kg]

Requires backing behind drywall.

1012 _____
(add finish code)

| | | | | | |
|----------|------------|----------------------|----------------------|-----------|-----|
| C | 151 | MB 209 | BN 229 | | |
| | | <i>MC</i> | 199 | <i>PN</i> | 229 |
| | | <i>MG</i> | 215 | <i>BG</i> | 279 |
| | | <i>SG</i> | 209 | <i>GD</i> | 279 |
| | | <i>WF</i> | 209 | | |



... complete a look



Use metric dimensions for greatest accuracy.
Specifications are subject to change without notice.

ESSENTIALS

STOCK - Boldface / Special Finish 4 weeks

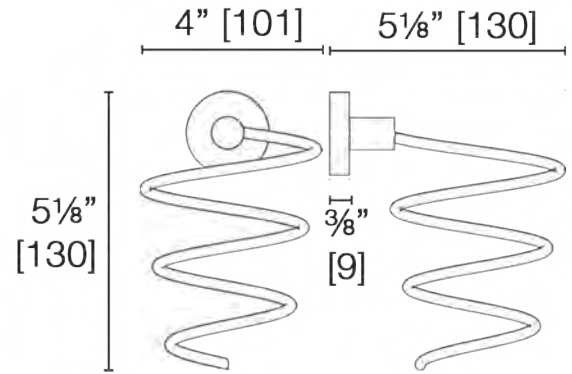


Hot styling cone - round flange

Prevent heat damage to polymer and arborite countertops.

3230R C

C 112

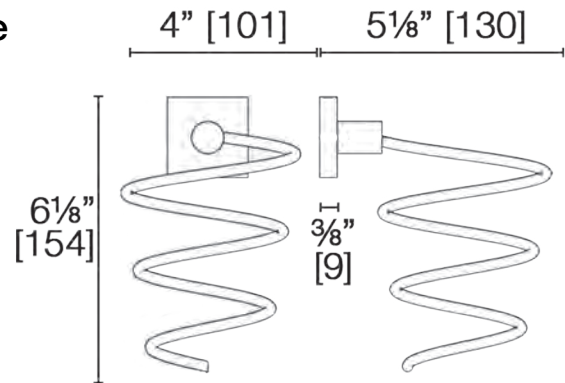


Hot styling cone - square flange

Prevent heat damage to polymer and arborite countertops.

3230S C

C 112



May 2023

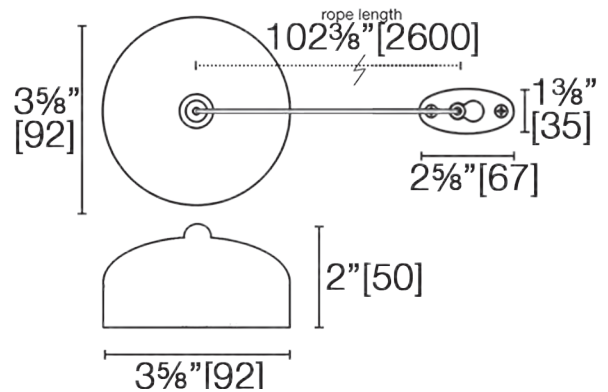


Retractable Wash Line

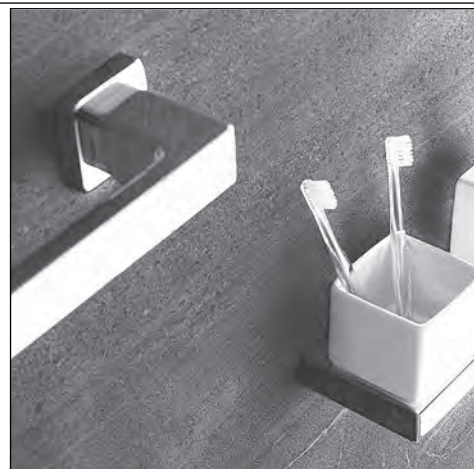
Opens to 8 1/2 feet. Install in a bath or shower for drying delicates.

7000 C

C 53



A place for everything
and everything in its place.



C Chrome **CG** Chrome with Stone Grey **CM** Chrome with Matte Black **CW** Chrome with White Frost
MB Matte Black **MC** Matte Black with Chrome **MG** Matte Black with Brushed Gold **SG** Stone Grey **WF** White Frost
BN Brushed Nickel **PN** Polished Nickel **BG** Brushed Gold **GD** Polished Gold

CHALLENGE #11 ... LIQUID SOAP VERSUS SOAP BAR

THE SOLUTION ... GIVE YOUR CUSTOMER THE CHOICE OF BOTH

Soap Dish and Holder

Replacement porcelain dish PDishS on page 85

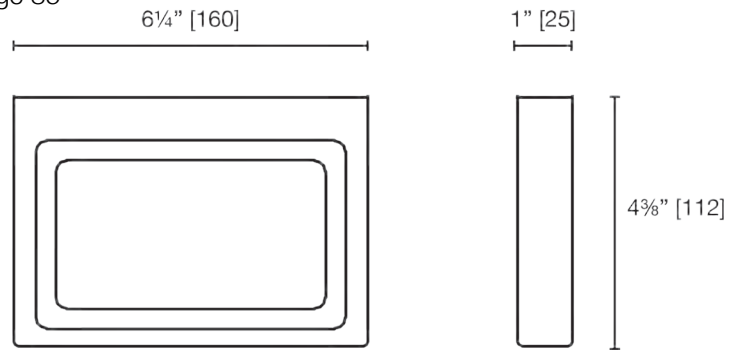
{ **complementary accessory collections**

Eaton, Jazz and Lincoln



J1885 ____

| | | | | |
|--------------|-----------|-----|-----------|-----|
| C 105 | <i>MB</i> | 139 | <i>BN</i> | 146 |
| | <i>SG</i> | 139 | <i>PN</i> | 146 |
| | <i>WF</i> | 139 | <i>BG</i> | 192 |
| | | | <i>GD</i> | 192 |



Soap Dispenser and Holder

Replacement dispenser PDispenser - page 85

Replacement pump PPump - page 85

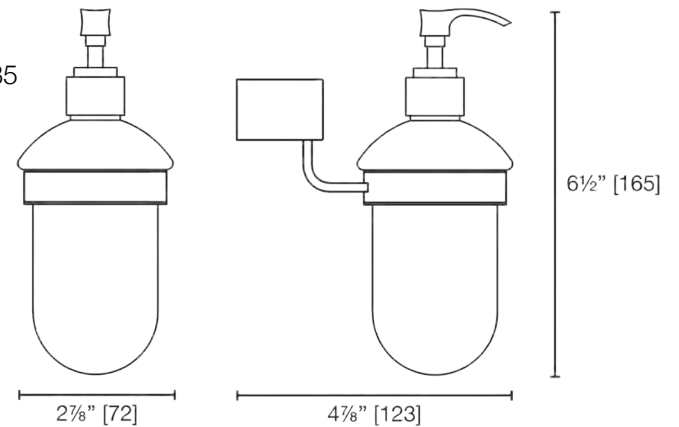
{ **complementary accessory collections**

Steele II and Upton



K9385D C

C 104



Tumbler and Holder

Replacement tumbler PTumblerS - page 86

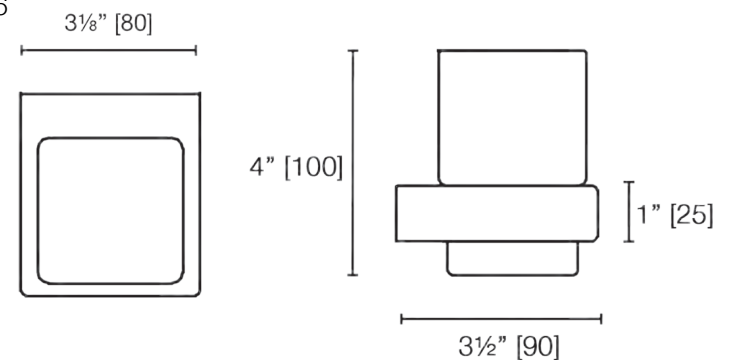
{ **complementary accessory collections**

Eaton, Jazz and Lincoln



J1884 ____

| | | | | |
|-------------|-----------|-----|-----------|-----|
| C 99 | <i>MB</i> | 129 | <i>BN</i> | 135 |
| | <i>SG</i> | 129 | <i>PN</i> | 135 |
| | <i>WF</i> | 129 | <i>BG</i> | 183 |
| | | | <i>GD</i> | 183 |



Tumbler and Holder

Replacement tumbler PTumberK - page 86

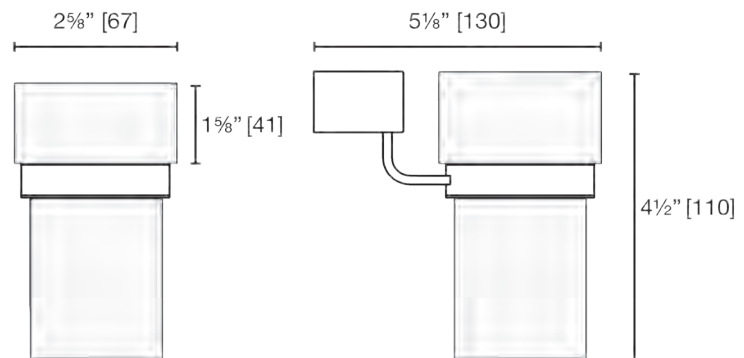
{ **complementary accessory collections**

Steele II and Upton



K9384 ____

| | | | | |
|-------------|-----------|-----|-----------|-----|
| C 94 | <i>MB</i> | 123 | <i>BN</i> | 128 |
| | <i>SG</i> | 123 | <i>PN</i> | 128 |
| | <i>WF</i> | 123 | <i>BG</i> | 172 |
| | | | <i>GD</i> | 172 |



... complete a look



2624DH-3 p.40



J1830D p.19



2103 p.82

Use metric dimensions for greatest accuracy.
Specifications are subject to change without notice.

Bowl BRUSHES

STOCK - Boldface / Special Finish 4 weeks

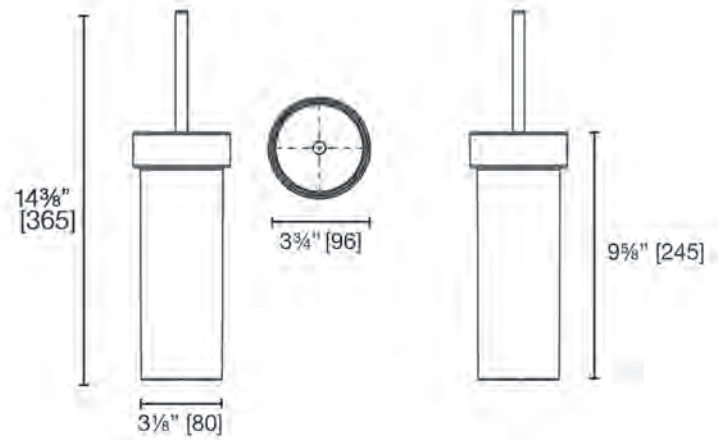


Bowl Brush and Holder

Replacement brush available.
PBrush W on page 85.

3500TB _____
(add finish code)

| | | | | |
|--------------|-----------|-----|-----------|-----|
| C 137 | <i>MB</i> | 174 | <i>BN</i> | 189 |
| | <i>MC</i> | 161 | <i>PN</i> | 189 |
| | <i>MG</i> | 185 | <i>BG</i> | 208 |
| | <i>SG</i> | 174 | <i>GD</i> | 208 |
| | <i>WF</i> | 174 | | |

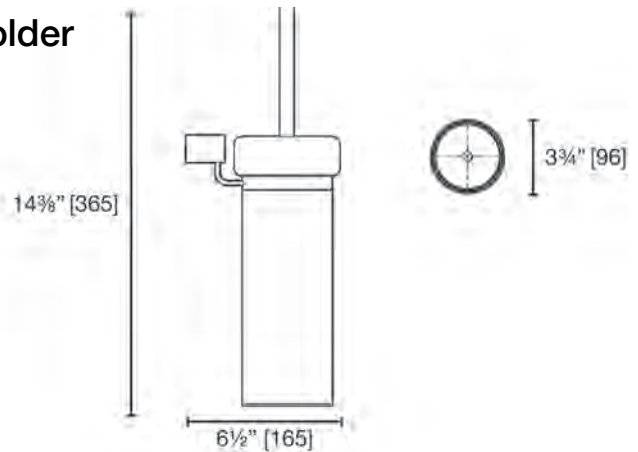


Bowl Brush and Porcelain Holder

with wall mounting bracket - square flange
Replacement brush available.
PBrush W on page 85.

3500SB _____
(add finish code)

| | | | | |
|--------------|-----------|-----|-----------|-----|
| C 224 | <i>MB</i> | 285 | <i>BN</i> | 305 |
| | <i>MC</i> | 259 | <i>PN</i> | 305 |
| | <i>MG</i> | 327 | <i>BG</i> | 389 |
| | <i>SG</i> | 285 | <i>GD</i> | 389 |
| | <i>WF</i> | 285 | | |

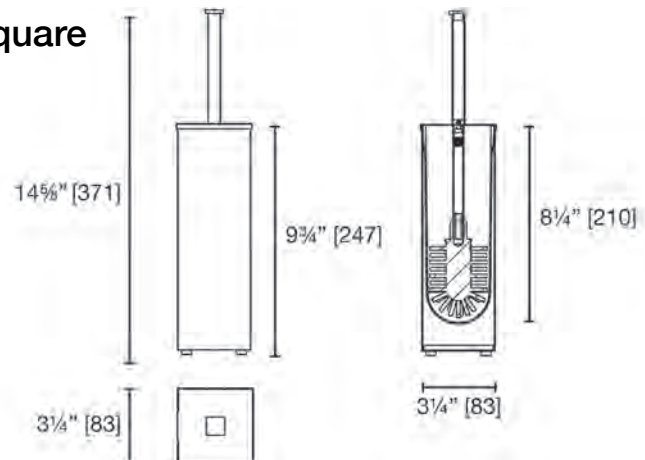


Bowl Brush and Holder - square

Replacement brush available.
PBrush W on page 85.

9300 _____
(add finish code)

| | | | | |
|--------------|-----------|-----|-----------|-----|
| C 211 | <i>MB</i> | 267 | <i>BN</i> | 275 |
| | <i>MC</i> | 262 | <i>PN</i> | 275 |
| | <i>MG</i> | 279 | <i>BG</i> | 362 |
| | <i>SG</i> | 267 | <i>GD</i> | 362 |
| | <i>WF</i> | 267 | | |

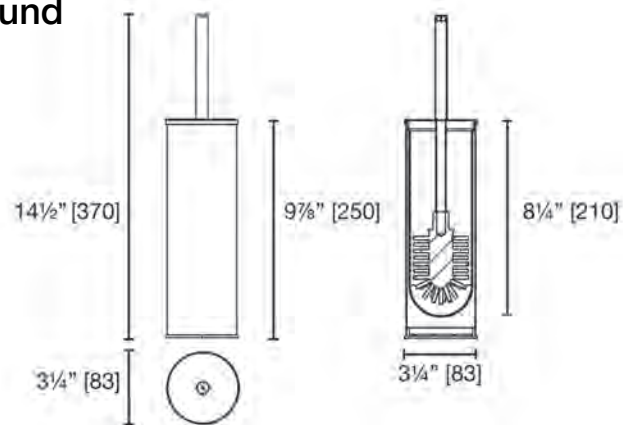


Bowl Brush and Holder - round

Replacement brush available.
PBrush W on page 85.

9301 _____
(add finish code)

| | | | | |
|--------------|-----------|-----|-----------|-----|
| C 171 | <i>MB</i> | 215 | <i>BN</i> | 227 |
| | <i>MC</i> | 206 | <i>PN</i> | 227 |
| | <i>MG</i> | 222 | <i>BG</i> | 293 |
| | <i>SG</i> | 215 | <i>GD</i> | 293 |
| | <i>WF</i> | 215 | | |



C Chrome **CG** Chrome with Stone Grey **CM** Chrome with Matte Black **CW** Chrome with White Frost

MB Matte Black **MC** Matte Black with Chrome **MG** Matte Black with Brushed Gold **SG** Stone Grey **WF** White Frost

BN Brushed Nickel **PN** Polished Nickel **BG** Brushed Gold **GD** Polished Gold

May 2023

LALOO MIRROR INDEX



LED Mirrors - page 68



Antifog Mats - page 72



Bevelled Mirrors - page 73



Mirrors with Texture - page 76



Mirrors with Shelving - page 78



Magnification Mirrors - page 80

LED MIRRORS

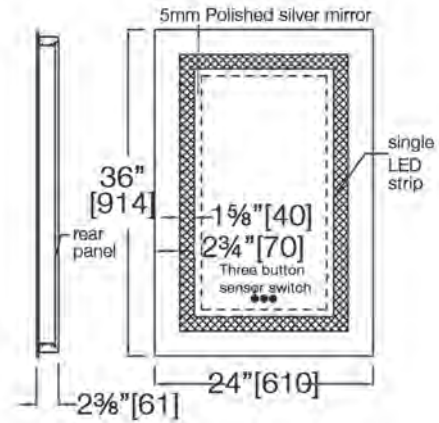
STOCK - Boldface



Halo Perimeter LED Lighting
with 3 button touch sensor and antifog mat 11⁷/₈" x 15³/₄"

M02436LAD 1107

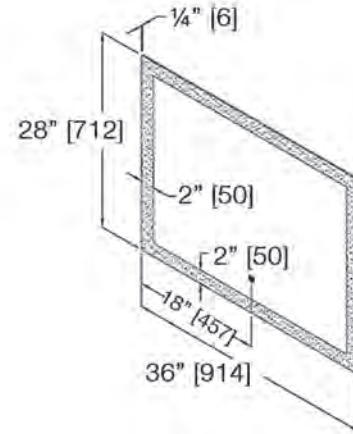
Kelvin Colour - **3000 to 6000**
Wattage - **30**
Source Light Lumens - **2640** (dimmable)
LLD Lumens - **2112**



Halo Perimeter LED Lighting
with touch sensor and antifog mat 25¹/₂" x 7⁷/₈"

M03628LA 1089

Kelvin Colour - **6000**
Wattage - **38.16**
Source Light Lumens - **3498**
LLD Lumens - **2798**



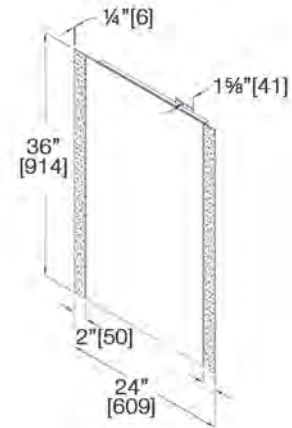
May 2023



Halo Side Edge LED Lighting
with toggle switch and antifog mat 15³/₄" x 19⁵/₈"

M00515LA 959

Kelvin Colour - **6000**
Wattage - **24.48**
Source Light Lumens - **2244**
LLD Lumens - **1795**



New for 2023



Light Bulb Watts Conversion Table

A simple table to predict the brightness (lumens) of a LED mirror knowing the brightness of an incandescent bulb (w).

| | | | | | | |
|--------|-----|-----|-----|------|------|------|
| watts | 25 | 40 | 60 | 75 | 100 | 150 |
| lumens | 375 | 600 | 900 | 1125 | 1500 | 2250 |

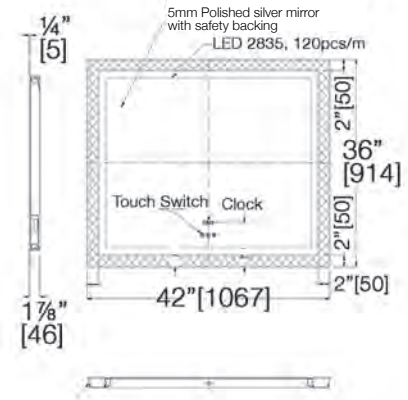


Framed Halo Perimeter LED Lighting

with 3 button touch sensor and antifog mat 23 $\frac{5}{8}$ " x 15 $\frac{7}{8}$ "
LED Clock included

M04236LAD **1359**

Kelvin Colour - 3000 to 6000
Wattage - 40
Source Light Lumens - 3590 (dimnable)
LLD Lumens - 2872

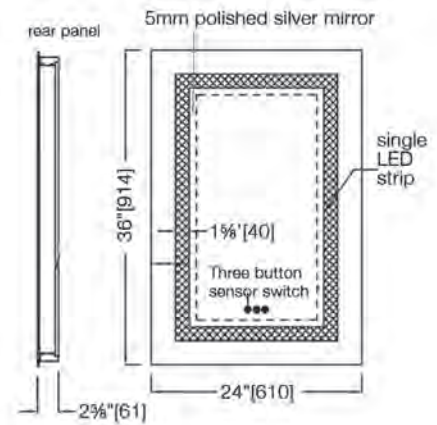


Insert Perimeter LED Lighting

with 3 button touch sensor and antifog mat 11 $\frac{3}{4}$ " x 15 $\frac{3}{4}$ "
Night Light included

M00519LAD **953**

Kelvin Colour - 3000 to 6000
Wattage - 30.96
Source Light Lumens - 2323 (dimnable)
LLD Lumens - 1860

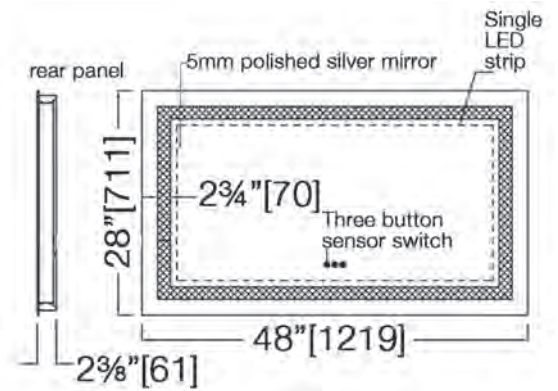


Insert Perimeter LED Lighting

with 3 button touch sensor and antifog mat 19 $\frac{5}{8}$ " x 11 $\frac{7}{8}$ "
Night Light included

M04828LAD **1319**

Kelvin Colour - 3000 to 6000
Wattage - 36
Source Light Lumens - 3168 (dimnable)
LLD Lumens - 2534

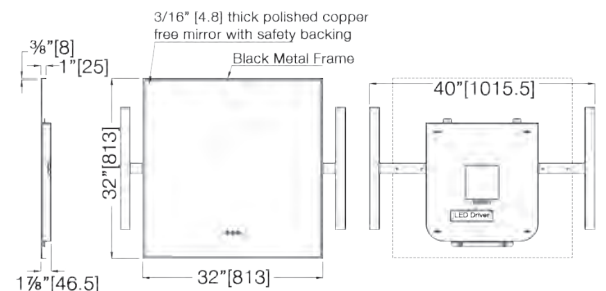


Matte Black Frame with LED Sconce

with 3 button touch sensor **New**

M00532LD **1398**

Kelvin Colour - 3000 to 6000
Wattage - 24
Source Light Lumens - 2160 (dimnable)
LLD Lumens - 1728



... complete a look



U9282 p.30



S1187 p.27



1013 p.63

LED MIRRORS

STOCK - Boldface



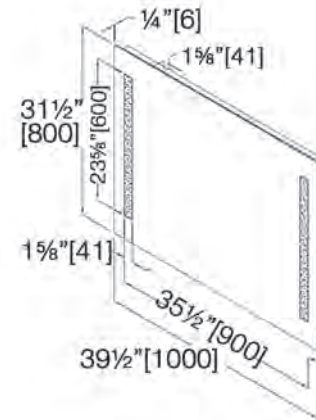
LaLOO warrants LED mirrors for a period of **5 years** or **50,000 hours** from defects in material and workmanship.



Insert Side Edge LED Lighting
with toggle switch and antifog mat 25⁵/₈" x 15³/₄"

M00536LA **959**

Kelvin Colour - **6000**
Wattage - **17.28**
Source Light Lumens - **1584**
LLD Lumens - **1267**



May 2023

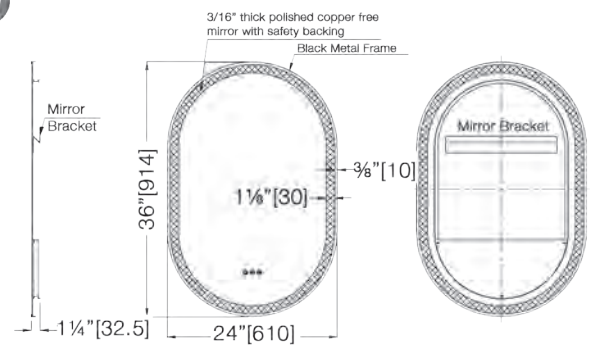


Perimeter LED Lighting with Matte Black Frame
with 3 button touch sensor



H02436LD **1059**

Kelvin Colour - **3000 to 6000**
Wattage - **25.2**
Source Light Lumens - **2268** (dimnable)
LLD Lumens - **1814**



The temperature of **colour is measured in Kelvins**, ranging from 1,000K to 10,000K.

Natural sunlight varies from approximately 5,000k to 6500K, depending on the time of the day and weather conditions. The higher end of the scale has a “cooler” feel to it and has a more white or blue color hue.

The lower end of the scale range has a “warmer” feel with a more orange or yellow hue to the color.



Dimmable side sconce
LED illumination.

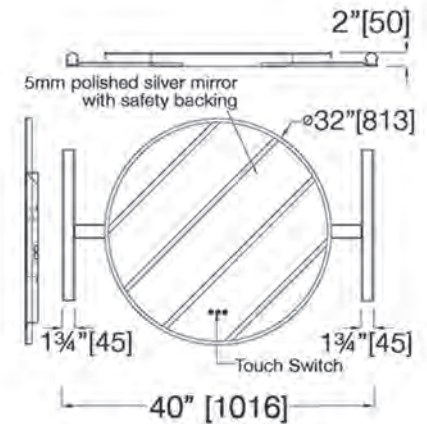
Seamlessly adjust settings for
warm indoor lighting
or cooler outdoor lighting.



Matte Black with LED Sconce
with 3 button touch sensor

H00501LD **1398**

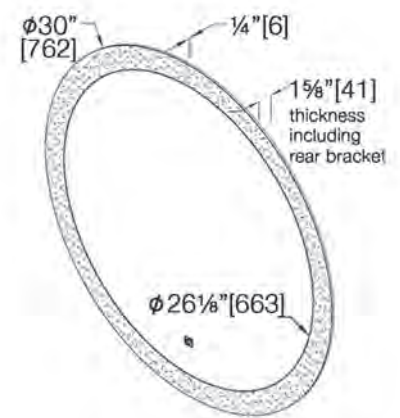
Kelvin Colour - **3000 to 6000**
Wattage - **24**
Source Light Lumens - **2160** (dimnable)
LLD Lumens - **1728**



Halo Perimeter LED Lighting
with touch sensor

H00514L **942**

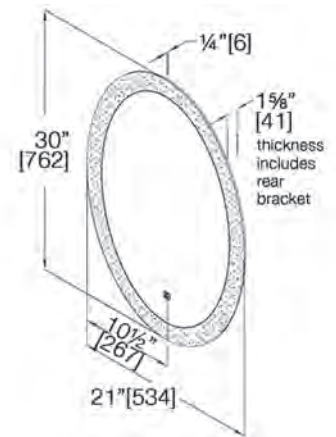
Kelvin Colour - **6000**
Wattage - **27.36**
Source Light Lumens - **2508**
LLD Lumens - **2006**



Halo Perimeter LED Lighting
with touch sensor

H02130L **847**

Kelvin Colour - **6000**
Wattage - **23.04**
Source Light Lumens - **2112**
LLD Lumens - **1690**



... complete a look



T2682 p.28



CR3830D p.5



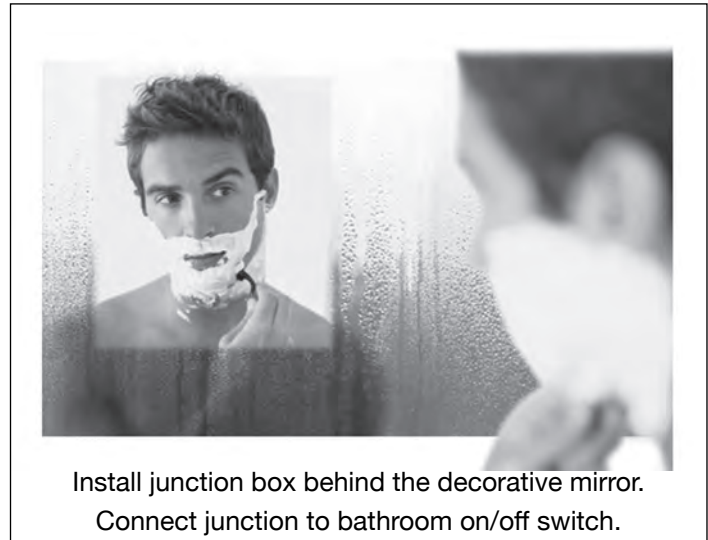
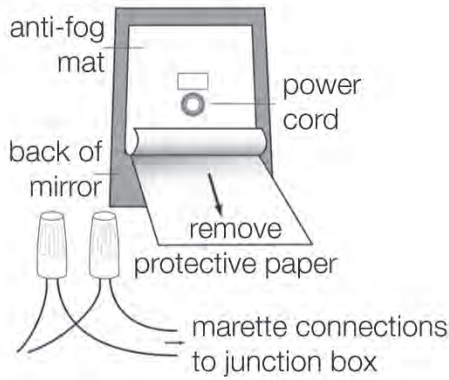
P5680 p.22

Use metric dimensions for greatest accuracy.
Specifications are subject to change without notice.

ANTI-FOG MATS

STOCK - Boldface

Easy to Install



Install junction box behind the decorative mirror.
Connect junction to bathroom on/off switch.

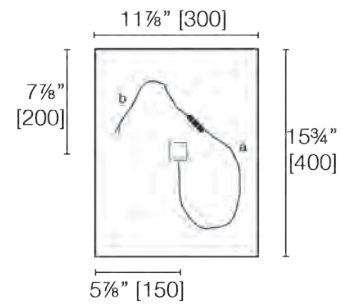


Anti-fog Mat
120V / 60Hz / $\leq 2.5/\text{dm}^2$

AF400300 **89**
15 $\frac{3}{4}$ " x 11 $\frac{7}{8}$ "

Orientation:
Horizontal or Vertical

Cord = 33"[838]
Section a = 19"[483]
Section b = 14"[355]



May 2023

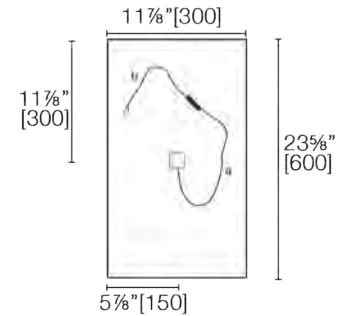


Anti-fog Mat
120V / 60Hz / $\leq 2.5/\text{dm}^2$

AF600300 **147**
23 $\frac{5}{8}$ " x 11 $\frac{7}{8}$ "

Orientation:
Horizontal or Vertical

Cord = 33"[838]
Section a = 19"[483]
Section b = 14"[355]

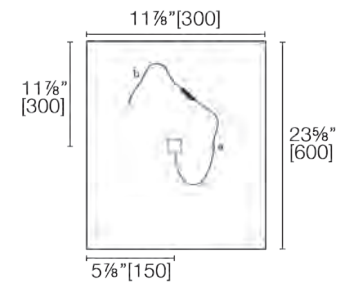


Anti-fog Mat
120V / 60Hz / $\leq 2.5/\text{dm}^2$

AF600500 **205**
23 $\frac{5}{8}$ " x 19 $\frac{5}{8}$ "

Orientation:
Horizontal or Vertical

Cord = 33"[838]
Section a = 19"[483]
Section b = 14"[355]



Install junction box behind the decorative mirror. Connect junction to bathroom on/off switch.

Mirror shipments are guaranteed by LaLOO

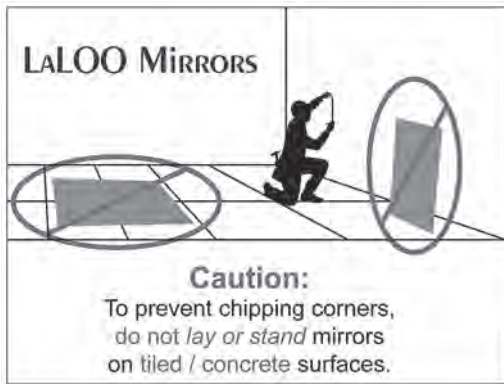
If your mirrors arrive damaged;
advise LaLOO of the PO# and
pictures of the damage within 10 days.

LaLOO ships a replacement mirror at no cost.

Mirrors have additional
hardboard supports
to limit freight damage.



Tile or concrete floors are commonly used in bathroom renovations.



To prevent chipping the corners of the frame, the contractor, plumber or DIY renovator are cautioned to place mirrors on soft surfaces prior to hanging the mirror on the wall.

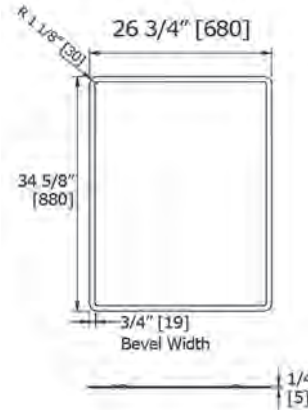
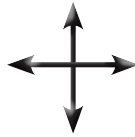


Rounded Rectangular Bevel

with $\frac{3}{4}$ " bevel

M00169 **299**
optional Antifog mat - **AF600300** **+147**
23 $\frac{5}{8}$ " x 11 $\frac{7}{8}$ "

Orientation:
Horizontal or Vertical

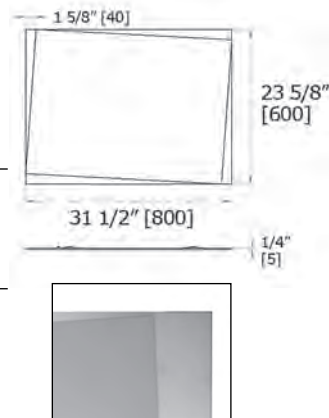
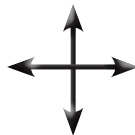


Off-angle Bevelled Frame

bevel edge tapers from 1 $\frac{1}{8}$ " to the corner

M01206 **234**
optional Antifog mat - **AF400300** **+89**
15 $\frac{3}{4}$ " x 11 $\frac{7}{8}$ "

Orientation:
Horizontal or Vertical



... complete a look



A6982 p.2



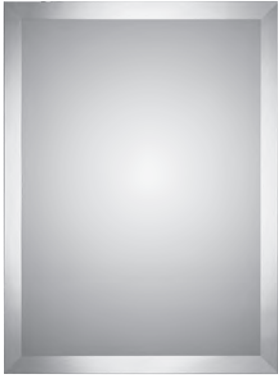
H2630D p.17



SS0200 p.57

Use metric dimensions for greatest accuracy.
Specifications are subject to change without notice.

BEVEL MIRRORS

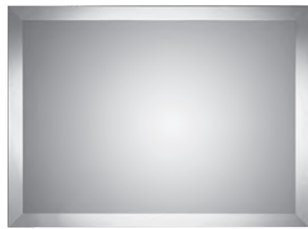
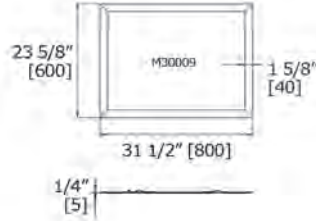
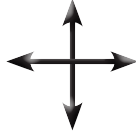


Grand Bevelled Frame

bevel edge is 1 5/8"

M30009 **285**
 optional Antifog mat - **AF400300** **+89**
 15 3/4" x 11 7/8"

Orientation:
 Horizontal or Vertical

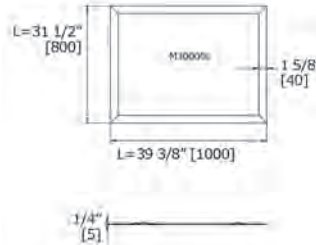
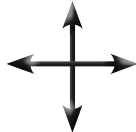


Grand Bevelled Frame - Large Format

bevel edge is 1 5/8"

M30009L **437**
 optional Antifog mat - **AF600500** **+205**
 23 5/8" x 19 5/8"

Orientation:
 Horizontal or Vertical

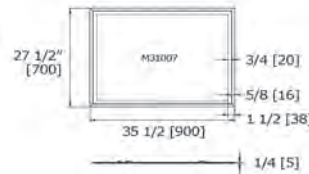
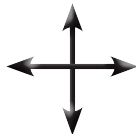


Peek-a-boo Bevel Frame

bevel edge is 5/8"

M31007 **296**
 optional Antifog mat - **AF600300** **+147**
 23 5/8" x 11 7/8"

Orientation:
 Horizontal or Vertical

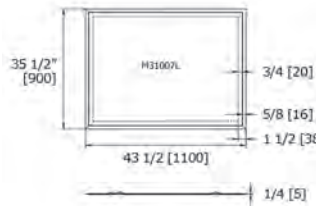
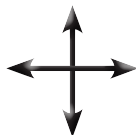


Peek-a-boo Bevel Frame - Large Format

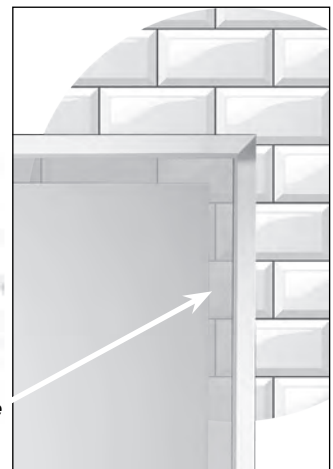
bevel edge is 5/8"

M31007L **447**
 optional Antifog mat - **AF600500** **+205**
 23 5/8" x 19 5/8"

Orientation:
 Horizontal or Vertical



The wall treatment (paint, wallpaper or tile) is visible through the translucent glass.



All LaLOO mirrors come with pre-installed brackets, L-screws and wall plugs.



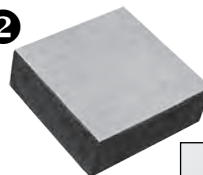
All decorative mirrors come with:

- ① Mounting hardware
- ② Spacers to ensure that mirror is plumb

①



②



Classic Bevelled Round

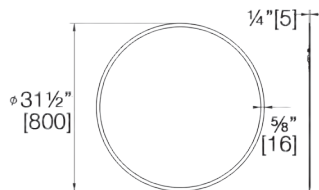
with 5/8" bevel



H70008

232

optional Antifog mat - AF400300 **+89**
15 3/4" x 11 7/8"



Orientation:
Vertical



Classic Bevelled Oval

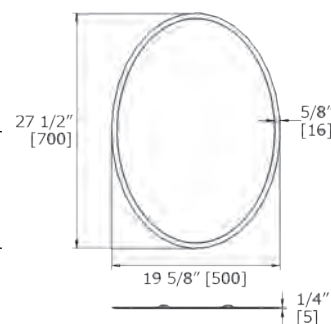
with 5/8" bevel



H70010

175

Orientation:
Vertical



Classic Bevelled Rectangle

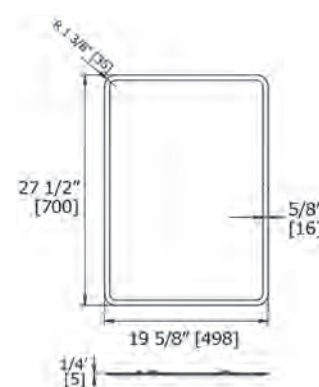
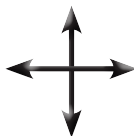
with 5/8" bevel



M30007

174

Orientation:
Horizontal or Vertical



LaLOO mirrors are made with float glass from *Britain's Pilkington Glass Co. Ltd.*

1. A silver plating of $\geq 700\text{mg/m}^2$ ensures $\geq 85\%$ reflectivity.
2. Two layers of FENQL protective seal are added to silver backing.
3. Edge sealing mastic prevents silver backing coming in contact with humidity.



... complete a look



R3086 p.24



E1212 p.11



A6986 p.2

MIRRORS WITH TEXTURE

May 2023



Parallel Frosted Side Trim

M00561 189
 optional Antifog mat - AF400300 +89
 15 3/4" x 11 7/8"

Orientation:
 Vertical



The mirror is framed with 2 parallel vertical 2 3/8" weber pencil polished edges.

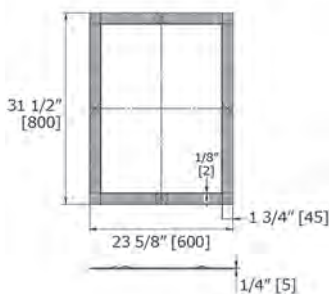
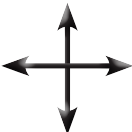


Etched Frosted Frame

with patterned squares and triangles

M00633 228
 optional Antifog mat - AF400300 +89
 15 3/4" x 11 7/8"

Orientation:
 Horizontal or Vertical



The 1/4" frame is frosted mirror with an etched pattern of squares and triangles.

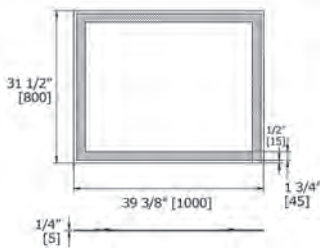
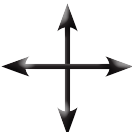
The etching detail is located at each corner and centered on the sides.



Faux Cloud Relief Frame

M00315 399
 optional Antifog mat - AF600500 +205
 23 5/8" x 19 5/8"

Orientation:
 Horizontal or Vertical



The 1/4" insert feature is a frosted stippled glass surrounded by a 1/2" bevel.

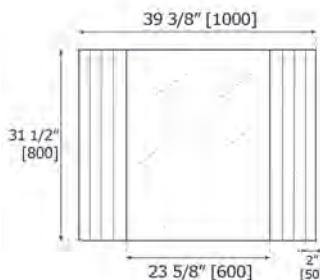


Parallel and graded etched frame

large format

M22005 305

Orientation:
 Horizontal



The parallel frosted bars reduce in thickness from 5mm to 2mm.

The result is an overall side bevel which bookends the centre mirror.



All LaLOO mirrors come with pre-installed brackets, L-screws and wall plugs.



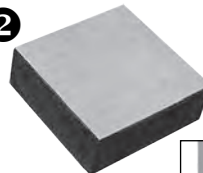
All decorative mirrors come with:

- ① Mounting hardware
- ② Spacers to ensure that mirror is plumb

①



②

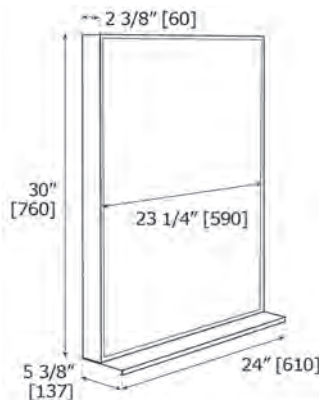


Qurios Natural Aluminum Mirror

includes optional lower shelf

| | |
|---------------|------------|
| Q20M24 | 399 |
| Q20M24SG | 529 |
| Q20M24MB | 529 |
| Q20M24WF | 529 |

Orientation:
Vertical

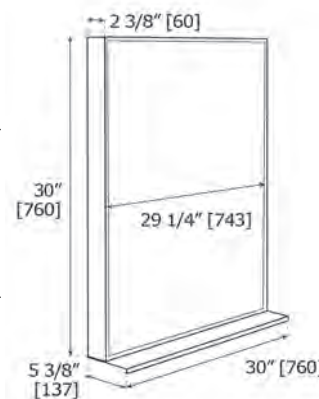


Qurios Natural Aluminum Mirror

includes optional lower shelf

| | |
|---------------|------------|
| Q20M30 | 439 |
| Q20M30SG | 585 |
| Q20M30MB | 585 |
| Q20M30WF | 585 |

Orientation:
Vertical

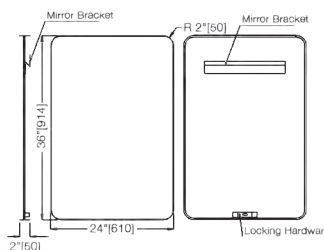
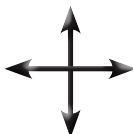


Matte Black Rounded Rectangle

with extended aluminum frame projecting 1".

| | |
|----------------|------------|
| H002436 | 399 |
|----------------|------------|

Orientation:
Horizontal or Vertical



The black painted aluminium frame extends outward from the mirror to a depth of 1"[25].



Simple with panache.
A bathroom solution and a great decorative touch in the entrance, guest bedroom or mud room.



... complete a look



W6580 p.32



G5580 p.14




L6280 p.20


MIRRORS WITH SHELVING

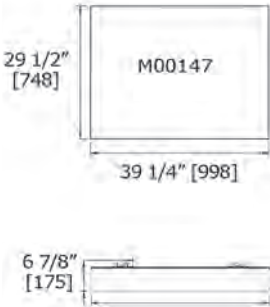

May 2023

Frameless Mirror with hanging shelf
large format




| | |
|---|-------------|
| M00147 | 453 |
| optional Antifog mat - AF600500 | +205 |
| 23 ⁵ / ₈ " x 19 ⁵ / ₈ " | |


Orientation:
Horizontal 

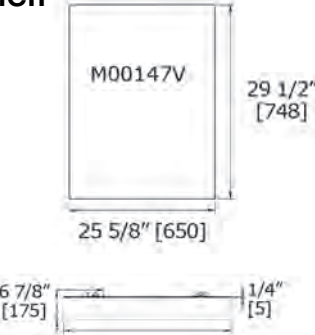




Frameless Mirror with hanging shelf




| | |
|---|-------------|
| M00147V | 366 |
| optional Antifog mat - AF600300 | +147 |
| 23 ⁵ / ₈ " x 11 ⁷ / ₈ " | |


Orientation:
Vertical 

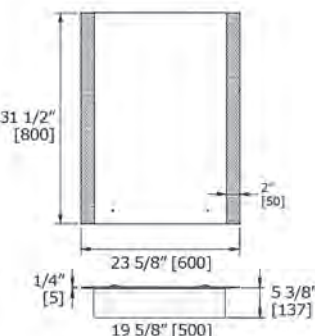




Parallel Frosted Sides
with bottom shelf




| | |
|---|------------|
| M31005 | 239 |
| optional Antifog mat - AF400300 | +89 |
| 15 ³ / ₄ " x 11 ⁷ / ₈ " | |


Orientation:
Vertical 

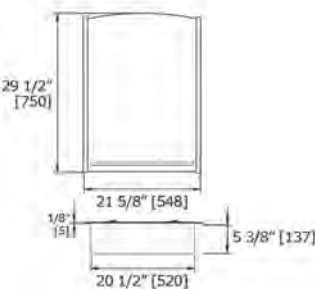




Tubular Chrome Side Accents
with bottom shelf



| | |
|----------------|------------|
| M26001A | 243 |
|----------------|------------|

Orientation:
Vertical 


All LaLOO mirrors come with pre-installed brackets, L-screws and wall plugs.



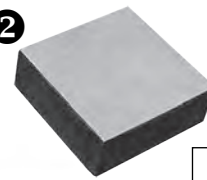
All decorative mirrors come with:

- ① Mounting hardware
- ② Spacers to ensure that mirror is plumb

①



②

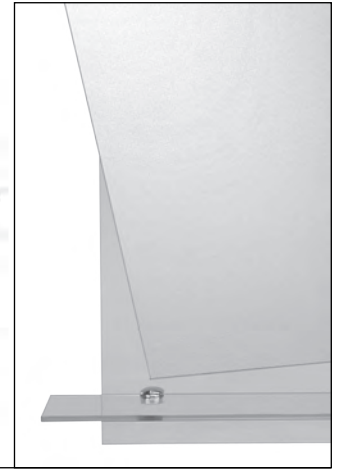
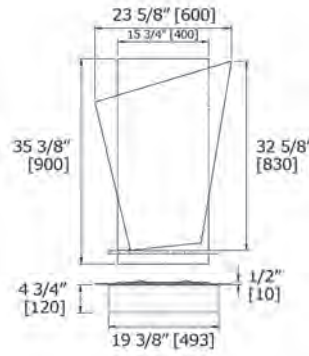


Angled Mirror on Clear Glass
with bottom shelf

M00198

339

Orientation:
Vertical

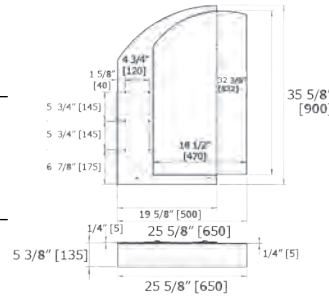


Double Layered Mirror
with 3 side shelves and bottom shelf

H00164

372

Orientation:
Vertical

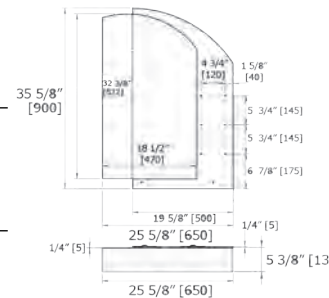


Double Layered Mirror
with 3 side shelves and bottom shelf

H00165

372

Orientation:
Vertical



*Pair the H00164 and H00165
over a double sink vanity.*



... complete a look



F1480 p.12



R3087 p.25



J1880LH p.18

MAGNIFICATION MIRRORS

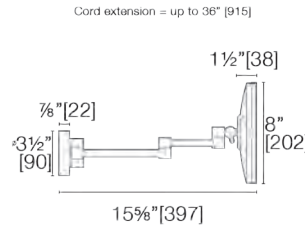
LED Wallmount Swing Mirror

plug-in with acrylic face



2035C **571**

Magnification - **5x**
 Collapsed depth - **4 1/2"**
 Kelvin Colour - **6000**
 Wattage - **4.2** / Voltage - **110**
 Source Light Lumens - **504**



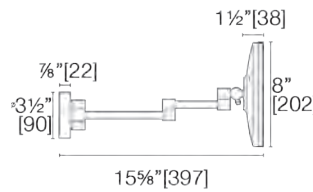
LED Wallmount Swing Mirror

Hardwire with acrylic face



2035HC **571**

Magnification - **5x**
 Collapsed depth - **4 1/2"**
 Kelvin Colour - **6000**
 Wattage - **4.2** / Voltage - **110**
 Source Light Lumens - **504**



ALL hardwire magnification mirrors come with a wiring harness for easy connection to the junction box.



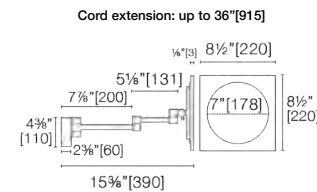
LED Wallmount Swing Mirror

plug-in with acrylic face



2045C **593**

Magnification - **5x**
 Collapsed depth - **4"**
 Kelvin Colour - **6000**
 Wattage - **4.2** / Voltage - **110**
 Source Light Lumens - **504**



*Consider both the extension and the **collapsed depth** of the mirror when planning the location of your mirror.*



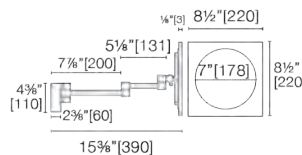
LED Wallmount Swing Mirror

Hardwire with acrylic face



2045HC **593**

Magnification - **5x**
 Collapsed depth - **4"**
 Kelvin Colour - **6000**
 Wattage - **4.2** / Voltage - **110**
 Source Light Lumens - **504**



C Chrome **BN** Brushed Nickel **MB** Matte Black

May 2023

Note the shape of the required junction box.

* 2035H requires an octagonal junction box.

** 2020H and 2045H require a rectangular junction box.

LED Wallmount Swing Mirror

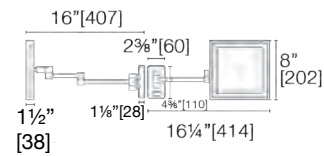
Plug-in with chrome trim



2020C LED

599

Magnification - **5x**
 Collapsed depth - **4"**
 Kelvin Colour - **6000**
 Wattage - **4.8 / Voltage 110**
 Source Light Lumens - **576**



Cord extension = up to 36" [915]



LED Wallmount Swing Mirror

Plug-in with chrome trim

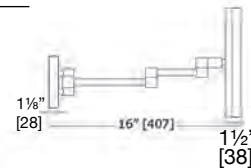
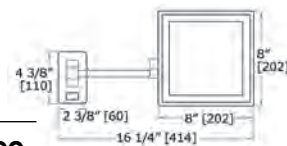


2020HC LED

599

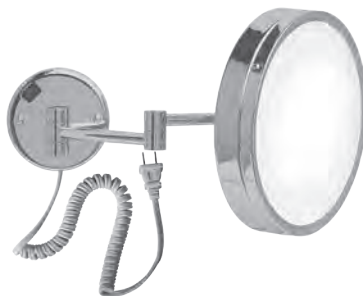
Magnification - **5x**
 Collapsed depth - **4"**
 Kelvin Colour - **6000**
 Wattage - **4.8 / Voltage 110**
 Source Light Lumens - **576**

**



LED Wallmount Swing Mirror

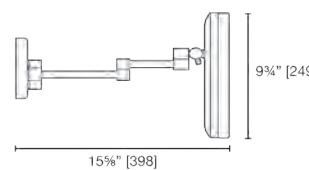
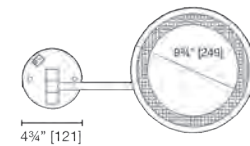
Plug-in with brushed nickel trim



2010 BN LED

454

Magnification - **5x**
 Collapsed depth - **4 5/8"**
 Kelvin Colour - **4500**
 Wattage - **4.2 / Voltage 110**
 Source Light Lumens - **264**



Non-Lit Swing Mirror

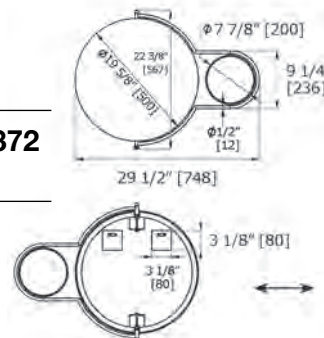
pivots to regular mirror on the flipside
 180° rotation



H01641

372

Magnification - **3x**



9111 p.49

... complete a look



9200 p.46



9101 p.49

Use metric dimensions for greatest accuracy.
 Specifications are subject to change without notice.

MAGNIFICATION MIRRORS

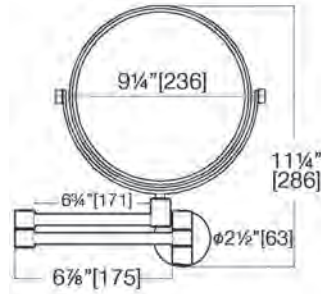
Non-Lit Swing Mirror

pivots to regular mirror on the flipside



| | |
|---------------|------------|
| 2016C | 205 |
| 2016MB | 239 |

Magnification - 7x
chrome trim
collapsed depth 1¼" - overall extension 14¾"



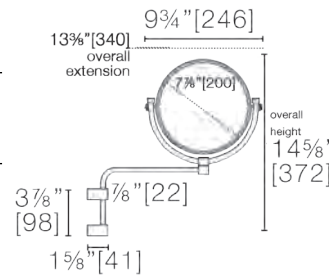
Non-Lit Swing Mirror

pivots to regular mirror on the flipside



| | |
|--------------|------------|
| 2811C | 181 |
|--------------|------------|

Magnification - 7x
chrome trim
collapsed depth 1½" - overall extension 13¾"



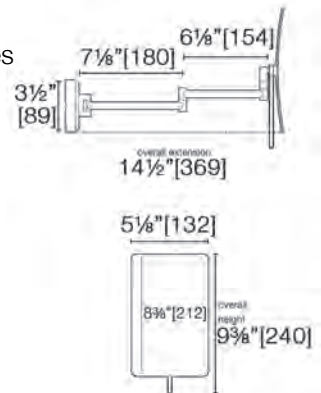
Non-Lit Swing Mirror

complements both round and angular accessories



| | |
|--------------|------------|
| 2103C | 197 |
|--------------|------------|

Magnification - 5x
collapsed depth 1½" - overall extension 14½"



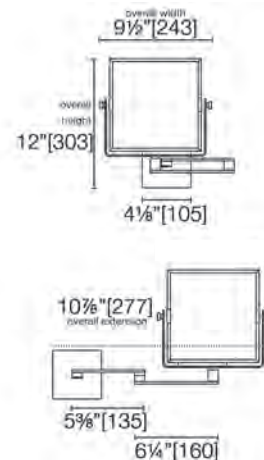
Non-Lit Swing Mirror

pivots to regular mirror on the flipside



| | |
|--------------|------------|
| 2025C | 313 |
|--------------|------------|

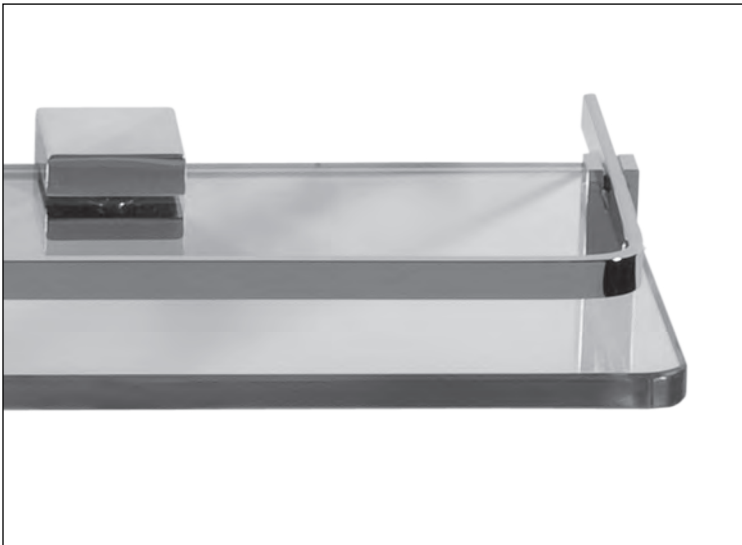
Magnification - 3x
chrome trim
collapsed depth 1" - overall extension 10¾"
with slim line wall bracket



C Chrome **BN** Brushed Nickel **MB** Matte Black

May 2023

LALOO PARTS INDEX



Shelving Parts - page 84



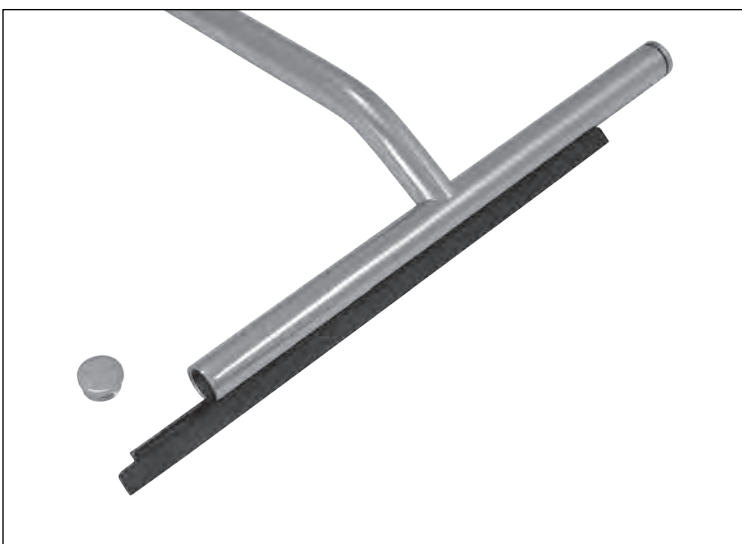
Bowl Brush Parts - page 85



Soap Dish Parts - page 85



Tumbler Parts - page 86



Squeegee Parts - page 86



Lighting Parts - page 86

PARTS - Shelving



P5611T GS 45

Replacement shelf for 5611T
tempered clear glass

5611T - page 51

PCR3852 GS 32

Replacement shelf for Classic-R double
clear glass

CR3852 - page 5

PCR3853 GS 32

Replacement shelf for Classic-R triple
clear glass

CR3853 - page 5

PC7387 GS 35

Replacement shelf for CoCo C7387
clear glass

C7387 - page 7

PE1287 GS 30

Replacement shelf for Eaton E1287
clear glass

E1287 - page 11

PH2687 GS 35

Replacement shelf for Hero H2687
clear glass

H2687 - page 17

PI3387 GS 30

Replacement shelf for Indy I3387
clear glass

Discontinued 2021

PJ1887 GS 30

Replacement shelf for Jazz J1887
clear glass

J1887 - page 19

PK9387 GS 35

Replacement shelf for Karre II K9387
clear glass

K9387 - page 51

POX5787 GS 35

Replacement shelf for Oxford OX5787
clear glass

Discontinued 2019

PP5687 GS 30

Replacement shelf for Payton P52687
clear glass

Discontinued 2021

PR3087 GS 41

Replacement shelf for Radius R3087
tempered frosted glass

R3087 - page 25

PS1187 GS 40

Replacement shelf for Steele II S1187
clear glass

S1187 - page 27

PV7287 GS 30

Replacement shelf for Vega V7287
clear glass

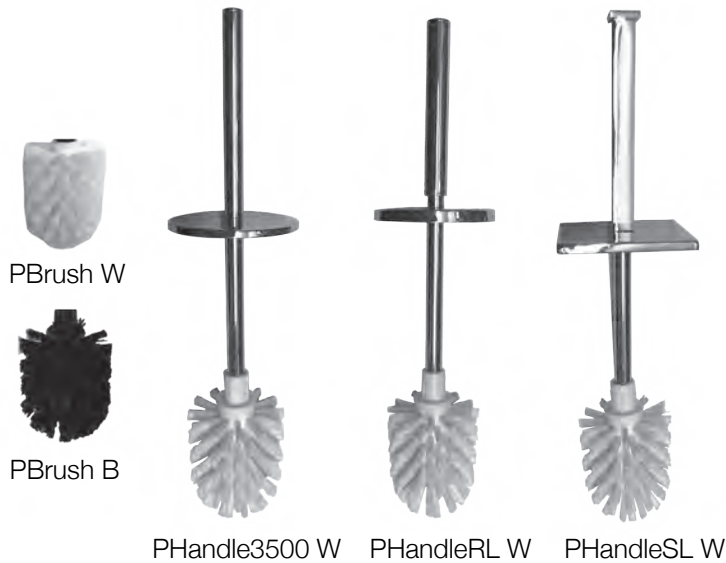
Discontinued 2019

PW6587 GS 40

Replacement shelf for Wynn W6587
clear glass

W6587 - page 33

PARTS - BRUSHES & DISHES



Bowl Brush Parts

optional white (W) or black (B) brushes

| | |
|--|-----------|
| PBrush W - White (for use with all brush handles) | 12 |
| PBrush B - Black (for use with all brush handles) | 12 |
| PHandle3500 W - White (for use with 3500 series) | 30 |
| PHandle3500 B - Black (for use with 3500 series) | 30 |
| PHandleRL W - White (for use with 9301) | 26 |
| PHandleRL B - Black (for use with 9301) | 26 |
| PHandleSL W - White (for use with 9300) | 30 |
| PHandleSL B - Black (for use with 9300) | 30 |



| | |
|-----------------|----------|
| LScrew L | 3 |
| LScrew S | 2 |

Soap Dish Parts

| | |
|--|-----------|
| PDish C (replacement dish for Emma & Xavier) | 16 |
| PDish P (replacement dish for Dallas & Taylor) | 20 |
| PDish S (replacement dish for Jazz - page 19) | 24 |



Soap Dispenser Parts

for use with Karre II K9385D - page 65
frosted glass

| | |
|---------------------|-----------|
| PDispenser | 29 |
| PGlassBottle | 17 |
| PPump | 12 |

PARTS - TUMBLERS AND SQUEEGEES



Squeegee Parts

| | |
|--|-----------|
| PS0100 RS (replacement for S0100 & SS0100) | 12 |
| PS0200 RS (replacement for S0200 & SS0200) | 14 |

Tumber Holder Parts

| | |
|---|-----------|
| PTumbler C (replacement tumbler for Emma & Xavier) | 16 |
| PTumbler F (replacement tumbler for Chanelle - frosted) | 16 |
| PTumbler P (replacement tumbler for Dallas & Taylor) | 19 |
| PTumbler S (replacement tumbler for Jazz) | 24 |
| PTumbler T (replacement tumbler for S1087 and K9384) | 20 |



Lighting Parts

| | |
|---|-----------|
| PM00535/6 LB4 [length = 28"] replacement T4 bulb and ballast for M00535 / M00536 (purchased <i>before</i> 2015) | 31 |
| PM00535/6 LB5 [length = 21 1/2"] replacement T5 bulb and ballast for M00535 / M00536 (purchased <i>after</i> 2015) | 39 |
| PM00535/6 LED [length = 21 1/2"] replacement bulb and ballast for M00535L / M00536L (purchased <i>after</i> 2019) | 49 |

May 2023

LaLOO TERMS & CONDITIONS



LaLOO Service - page 88



LaLOO Returns - page 88



LaLOO Packaging - page 89



LaLOO Shipping - page 89



LaLOO Mirror Care - page 89



Warranty - page 90

LaLOO AT YOUR SERVICE



Customer service: LaLOO returns all calls and emails within 24 hours (M-F)



Stock: 3 to 4 day shipping from warehouse



Special finishes: 4 weeks
Special finish orders can only be cancelled within 24 hours of placing the order.



Back orders: The LaLOO team will contact you within 12 hours of receiving a Purchase Order to discuss options if product is back ordered.

Price: F.O.B. LaLOO warehouse.
Prices are subject to change without notice.

Payment Terms: All merchandise is payable NET/30 days.
A 2% monthly (24% yearly) administration fee will be charged on past due accounts. All products purchased by your company are the property of LaLOO Accessories until paid in full.



Returned Goods Authorization RGA

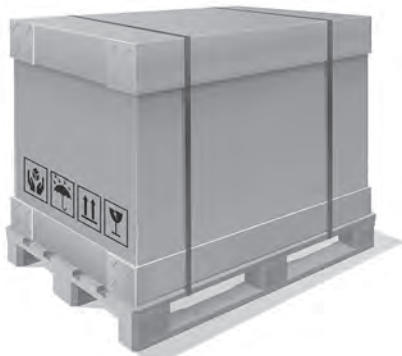
1. A LaLOO representative must issue an RGA for each returned good.
2. **An RGA is valid for 30 days after date of issue.** An RGA number must appear on all return shipments. Returned shipments without an RGA number will be refused.
3. All non-warranty returns are subject to a **re-stocking charge of 25%**.
4. ***All items must be returned in their original carton and be in saleable condition.***
5. All returns must be **freight prepaid by sender** and the sender must assume all responsibility for shipping damages that may occur. If a product is received damaged, there will be no credit issued.
6. LaLOO reserves the right to limit or refuse any returns.
7. Discontinued, used, ***special order and custom finish items cannot be returned for credit.***
8. Items cannot be returned for credit if original date of invoice exceeds 12 months.

SHIPPING AND FREIGHT CLAIMS



LaLOO packages all fragile shipments with **Styrofoam cushioning**.

Mirrors and towel warmers have additional **hardboard supports** for added protection.



Multi-product shipments which include accessories, mirrors and towel warmers are strapped to pallets and labelled appropriately.

All LaLOO products are verified, packaged and delivered to the carrier in good condition.

All claims regarding broken pieces, damages or loss must be made by the freight company account holder.

LALOO PREPAID SHIPMENTS

Mirror shipments are guaranteed by LaLOO.

Ensure that your warehouse staff adhere to the stated conditions for making a claim.

LaLOO shipments (cartons or skids) are clearly marked.

You have **10 days** to inspect contents of a shipment for potential damage caused in transport. Claims cannot be made for products delivered to jobsite or picked up by the customer. Pictures, purchase order# or invoice# and date of original purchase must be submitted with claim.

Open and Inspect

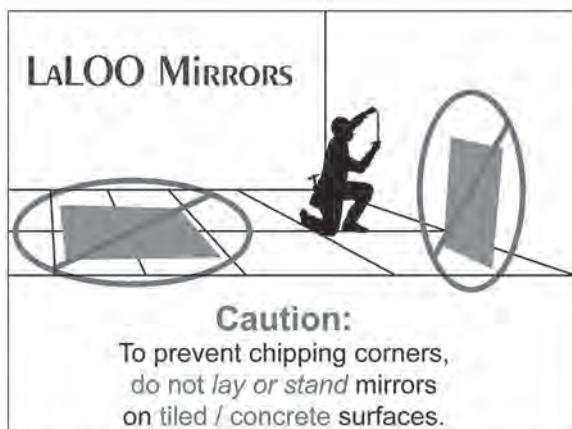
You have **10 days** to inspect contents for potential damage caused in transport.



Contact **LALOO ACCESSORIES** at **1-866-305-2566** to report concerns.

Mirrors are clearly labelled with handling information.

Tile or concrete floors are commonly used in bathroom renovations.



The contractor, plumber or DIY renovator are cautioned to place mirrors on soft surfaces prior to hanging the mirror on the wall. This procedure will **prevent chipping the corners of the frame.**



LaLOO WARRANTY

LaLOO will honour warranty claims that are accompanied with a **proof of purchase** by the end user. Forward all warranty claims to service@laloo.ca. Warranties only apply to **original owner**. Warranty is not transferable to subsequent owners.



LaLOO warrants a **lifetime warranty** on **chrome accessory collections** and **boutique items** to be free from defects in the manufacturer's workmanship or materials used in the construction of product. (effective April 1st, 2017)



LaLOO warrants the series **ETW NVelup towel warmers (304 stainless steel)** to be free from manufacturer's defects in workmanship and materials for a period of **7 years** from date of purchase. The warranty covers both finish and electrical components.



LaLOO warrants **special finish accessories** from defects in material and workmanship for **5 years**. Build up of soap and mineral deposits are not covered. Damage resulting from inappropriate care (use of caustic or abrasive cleaners) is not covered.



LaLOO warrants its **LED mirrors** for a period of **5 years** or **50,000 hours** from defects in material and workmanship.

questions??? call 866-305-2566 or email LaLOO at service@laloo.ca

LaLOO warranty does not cover shipping costs, labour costs, or other costs associated with the replacement or installation of the product or part. This warranty does not cover products which have been improperly installed or subject to improper use or used in a location other than a residential bathroom or products which have been damaged due to mineral deposits or the use of corrosive or abrasive cleaning agents.

LaLOO is not responsible or liable for indirect, special or consequential damages arising out of or in connection with the use or performance of its products. Its liability under this warranty is limited to the replacement of the defective material at the location of the purchase. The original dated sales receipt must be retained by the consumer and is the only acceptable proof of purchase. This warranty gives you specific legal rights and you may also have other rights which may vary from province to province.



LaLOO warrants the series **ETW NVelup towel warmers (201 stainless steel matte black)** to be free from defects in workmanship and materials for a period of **3 years** from date of purchase. The warranty covers both finish and electrical components.



LaLOO warrants all **decorative mirrors** for a period of **2 years** from defects in material and workmanship. Refer to page 89 for freight damage claims.

LaLOO warrants the **LED bulbs** for **2 years or 20,000 hours** from manufacturer's defects in material and workmanship.

Anti-fog mats are warranted for **2 years**.



LaLOO warrants its **magnification mirrors** and **Quirios mirrors** to be free from manufacturer's defects in material and workmanship for a period of **1 year**.



LaLOO warrants **all products installed for commercial use** to be free from defects in material and workmanship for 1 year.

questions??? call 866-305-2566 or email LaLOO at service@laloo.ca

PAGE INDEX - NUMERICAL followed by ALPHABETICAL

| | | | | | | | | | | | |
|------------|----|----------|----|----------|----|-----------|----|---------------|----|----------|----|
| 1012 | 63 | 7118-3 | 55 | CR3886 | 4 | H2630D | 17 | M30009 | 74 | R3080 | 24 |
| 1013 | 63 | 7118ADA | 60 | D7112ADA | 61 | H2662 | 42 | M30009L | 74 | R3082 | 24 |
| 2016 | 82 | 7124ADA | 60 | D7118ADA | 61 | H2680 | 16 | M31005 | 78 | R3086 | 24 |
| 2020 2020H | 81 | 8089 | 46 | D7118 | 9 | H2682 | 16 | M31007 | 74 | R3087 | 25 |
| 2025 | 82 | 8127 | 53 | D7124ADA | 61 | H2686 | 16 | M31007L | 74 | R3218ADA | 59 |
| 2035 2035H | 80 | 8156-3 | 53 | D7124 | 9 | H2686P | 16 | P5611T GS | 84 | R3224ADA | 59 |
| 2045 2045H | 80 | 8300 | 41 | D7130D | 9 | H2687 | 17 | P5624 | 23 | RZHook | 56 |
| 2103 | 82 | 8654 | 52 | D7136ADA | 61 | H70008 | 75 | P5630D | 23 | S0100 | 57 |
| 2602 | 62 | 9000 | 44 | D7180 | 8 | H70010 | 75 | P5680 | 22 | S0200 | 57 |
| 2605-2 | 53 | 9001N | 45 | D7182 | 8 | J1824 | 19 | P5682 | 22 | S1087 | 51 |
| 2605-4 | 53 | 9003 | 44 | D7183 | 9 | J1830D | 19 | P5686 | 22 | S1124 | 27 |
| 2609 | 41 | 9007N | 45 | D7186 | 8 | J1880 | 18 | PBrush B | 85 | S1124D | 27 |
| 2624DH-3 | 40 | 9016 | 44 | D7186P | 8 | J1882 | 18 | PBrush W | 85 | S1180 | 26 |
| 2811 | 82 | 9101 | 49 | E1212 | 11 | J1884 | 18 | PC7387 GS | 84 | S1182 | 26 |
| 3025 | 47 | 9104 | 48 | E1224 | 11 | J1885 | 19 | PCR3852 GS | 84 | S1186 | 26 |
| 3155 | 46 | 9107 | 48 | E1230D | 11 | J1886 | 18 | PCR3853 GS | 84 | S1186P | 26 |
| 3218 | 63 | 9111 | 49 | E1280 | 10 | J1887 | 19 | PDish C | 85 | S1187 | 27 |
| 3224 | 63 | 9124 | 49 | E1280R | 10 | K9382 | 54 | PDish P | 85 | S3218ADA | 59 |
| 3230R | 64 | 9200 | 46 | E1282 | 10 | K9384 | 65 | PDish S | 85 | S3224ADA | 59 |
| 3230S | 64 | 9300 | 66 | E1286 | 10 | K9385D | 65 | PDispenser | 85 | SRZHook | 56 |
| 3300 | 43 | 9301 | 66 | E1287 | 11 | K9387 | 51 | PE1287 GS | 84 | SS0100 | 57 |
| 3381 | 48 | 9600 | 41 | ETW1-1 | 38 | L6218 | 21 | PGlassBottle | 85 | SS0200 | 57 |
| 3391 | 48 | A6900 | 3 | ETW1-19 | 38 | L6224 | 21 | PH2687 GS | 84 | T2612 | 28 |
| 3439 | 50 | A6924 | 2 | ETW15 | 38 | L6230D | 21 | PHandle3500 | 85 | T2618 | 29 |
| 3440 | 50 | A6980 | 2 | ETW84-2 | 39 | L6280 | 20 | PHandleRL | 85 | T2624 | 29 |
| 3462 | 42 | A6982 | 2 | ETW84-6 | 39 | L6282 | 20 | PHandleSL | 85 | T2630D | 29 |
| 3500SB | 66 | A6986 | 2 | F1424 | 13 | L6286 | 20 | PI3387 GS | 84 | T2662 | 42 |
| 3500TB | 66 | AF400300 | 72 | F1424D | 13 | LScrew L | 85 | PJ1887 GS | 84 | T2680 | 28 |
| 3610R | 40 | AF600300 | 72 | F1480 | 12 | LScrew S | 85 | PK9387 GS | 84 | T2682 | 28 |
| 3800R | 40 | AF600500 | 72 | F1482 | 12 | M00147 | 78 | PM00535/6 LB4 | 86 | T2686 | 28 |
| 3800S | 41 | C7312 | 6 | F1486 | 12 | M00147V | 78 | PM00535/6 LB5 | 86 | U9212D | 31 |
| 3MC70000 | 56 | C7318 | 7 | F1487 | 13 | M00169 | 73 | POX5787 GS | 84 | U9220 | 31 |
| 3MSilane | 56 | C7324 | 7 | G5518 | 15 | M00198 | 79 | PP5687 GS | 84 | U9280 | 30 |
| 4005 | 47 | C7330D | 7 | G5524 | 15 | M00315 | 76 | PPump | 85 | U9282 | 30 |
| 4800R | 40 | C7380 | 6 | G5580 | 14 | M00515LA | 68 | PR3087 GS | 84 | U9286 | 30 |
| 5305 | 47 | C7382 | 6 | G5582 | 14 | M00519LAD | 69 | PS0100 RS | 86 | W6524 | 33 |
| 5611T | 51 | C7386 | 6 | G5586 | 14 | M00532LD | 69 | PS0200 RS | 86 | W6530D | 33 |
| 6029 | 62 | C7387 | 7 | H00164 | 79 | M00536LA | 70 | PS1187 GS | 84 | W6580 | 32 |
| 6262 | 43 | CB3431 | 50 | H00165 | 79 | M00561 | 76 | PTumbler C | 86 | W6582 | 32 |
| 7000 | 64 | CB3432 | 50 | H002436 | 77 | M00633 | 76 | PTumbler F | 86 | W6586 | 32 |
| 7112ADA | 60 | CR3824 | 5 | H00501LD | 71 | M01206 | 73 | PTumbler S | 86 | W6587 | 33 |
| 7115-1 | 54 | CR3830D | 5 | H00514L | 71 | M02436LAD | 68 | PTumbler T | 86 | Y5424 | 35 |
| 7115-2 | 54 | CR3852 | 5 | H01641 | 81 | M03628LA | 68 | PV7287 GS | 84 | Y5430D | 35 |
| 7115-4 | 54 | CR3853 | 5 | H02130L | 71 | M04236LAD | 69 | PW6587 GS | 84 | Y5480 | 34 |
| 7116-1 | 52 | CR3862 | 42 | H02436LD | 70 | M04828LAD | 69 | Q20M24 | 77 | Y5482 | 34 |
| 7116-2 | 52 | CR3880 | 4 | H2612 | 16 | M22005 | 76 | Q20M30 | 77 | Y5486 | 34 |
| 7116-4 | 52 | CR3882 | 4 | H2618 | 17 | M26001A | 78 | R3018 | 25 | | |
| 7118-1 | 55 | CR3882I | 4 | H2624 | 17 | M30007 | 75 | R3024 | 25 | | |

May 2023