

shodor

July 2022

shodor

EXCEPTIONAL QUALITY
AND SERVICE IN WESTERN
CANADA SINCE 1981

Since 1981 **shodor** has been locally manufacturing a wide range of shower enclosures from sliders, semi-frameless and framed doors, pivot doors, and shower shields to contemporary custom designed and fabricated 10mm glass doors. **shodor's** professional sales, design, and installation capabilities can enhance any project.

Shodor manufactures and assembles product at our Delta BC facility using materials from our high quality North American supply chain.

shodor is committed to health, safety and the environment. Our manufacturing facility strives for energy efficiency and continuous improvement. A comprehensive recycling and waste reduction program is employed across all our processes, both in manufacturing and administration.



Aluminum in our extrusions is supplied by Norsk Hydro. It contains over 50% recycled content and is 100% recyclable at end of life.



shodor.ca
shodorshowers

contents

how to order	1
products	
sliders	
frameless heavy glass sliders	3
semi-frameless sliders	13
doors	
frameless heavy glass doors	21
semi-frameless + framed doors	35
handles	56
measuring guide + checklist	58
sizing guide	60
terms + policies	71
limitations + cleaning	72

how to order

Standard Products

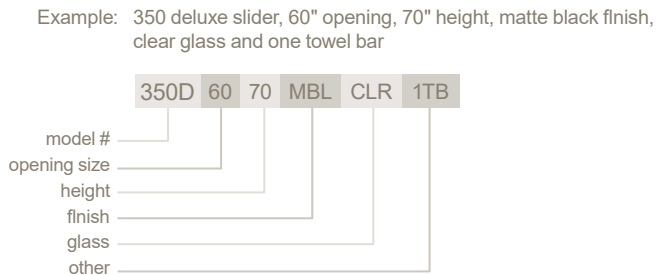
General ordering format: Model / Size / Finish / Glass type / Other

Start with the base model number. Then the size: opening width and height. Followed by the codes for the desired finish and type of glass (when there are options). Finally, add any additional codes for specific customizations. When there is no code, specify the details in the order (for example: starphire glass, enduro shield, clamps or channel, etc)

For semi-frameless and framed models that have door options, start with the Series code: base model and door style code.

Specify the side of the door for hinges.

Include the exact opening centreline dimension where applicable. Also include the specific make and model of tub or shower when possible.



Custom Products

Indicate the model number followed by CUST code. Then provide all the details for your order. Specific dimensions and out of square conditions, finish, glass, hardware styles and other applicable customization.

shodor sales staff can assist with all your orders.

Example: Proline PL60 slider, 60" opening, 80" height, polished stainless finish and 8" ladder pull

PL60 60 80 PS LP8X8

Example: 391 door and inline with C6 style door, up to 60" opening, 76" height, silver finish, clear glass, fabricated to fit exact 59 1/4" opening

391C6 60 76 SIL CLR 59 1/4" centreline



Custom PL60 with two return panels fixed with clamps

frameless heavy glass sliders



CAMBRIDGE BYPASS HEAVY GLASS SLIDER

- 10mm tempered glass with polished edges
- High quality stainless steel construction
- Square header and contemporary industrial style rollers
- Two bypassing frameless heavy glass doors
- Standard tubular towel bars with custom options
- Three distinct finishes
- Inline sliding doors maximize floor space and access
- Optional 10mm starphire (low iron) ultra clear glass
- Enduro Shield coating available
- Fully customizable

Includes as standard:
Two tubular towel bars –
for other handle options
see pages 56 - 57



slider mechanism in brushed stainless finish

- Minimum curb width: 3 1/4"
- Installation requires drilling into curb surface
- Adequate stud backing required for mounting wall hardware
- Minimum width is 45"
- Maximum possible width is 72"

CAMBRIDGE		10mm clear glass		
model	size*	polished stainless (PS)	brushed stainless (BS)	matte black (MBL)
CAM 54 65	54 x 65	\$3186	\$3186	\$3481
CAM 54 72	54 x 72	\$3292	\$3292	\$3611
CAM 54 76	54 x 76	\$3351	\$3351	\$3646
CAM 54 80	54 x 80	\$3410	\$3410	\$3705
CAM 60 65	60 x 65	\$3292	\$3280	\$3575
CAM 60 72	60 x 72	\$3398	\$3398	\$3693
CAM 60 76	60 x 76	\$3457	\$3457	\$3752
CAM 60 80	60 x 80	\$3528	\$3528	\$3811
CAM 72 65	72 x 65	\$3469	\$3469	\$3752
CAM 72 72	72 x 72	\$3587	\$3587	\$3882
CAM 72 76	72 x 76	\$3682	\$3682	\$3953

Return panel (RP) \$1200 \$1200 \$1200

*return panel up to 36" wide fixed with u-channel and bottom clips - Standard

*Option - return panel fixed with UC79 Clamps - Call for quote

* Exact opening centreline dimensions and any corner radius details required when ordering

custom upgrades	add
out of square (provide precise details)	+\$250
square towel bars	+\$300

additional custom options	code
shodor will provide custom quotations for the following:	CAM CUST
• non-standard sizes	
• Low Iron Glass - available upon request	
• Enduro Shield - available upon request	



PROLINE PL50 BYPASS HEAVY GLASS SLIDER

- 10mm tempered glass with polished edges
- High quality stainless steel construction
- Square header with heavy duty rollers
- Bypassing frameless heavy glass doors
- Standard tubular towel bars with custom options
- Three distinct finishes
- Inline sliding doors maximize floor space and access
- Optional 10mm starphire (low iron) ultra clear glass
- Enduro Shield coating available
- Fully customizable

Includes as standard:
Two tubular towel bars –
for other handle options
see pages 56 - 57

PL50		10mm clear glass		
model	size*	polished stainless (PS)	brushed stainless (BS)	matte black (MBL)
PL50 54 65	54 x 65	\$3658	\$3658	\$4106
PL50 54 72	54 x 72	\$3764	\$3764	\$4201
PL50 54 76	54 x 76	\$3823	\$3823	\$4260
PL50 54 80	54 x 80	\$3882	\$3882	\$4319
PL50 60 65	60 x 65	\$3752	\$3752	\$4189
PL50 60 72	60 x 72	\$3870	\$3870	\$4307
PL50 60 76	60 x 76	\$3929	\$3929	\$4366
PL50 60 80	60 x 80	\$4000	\$4000	\$4437
PL50 72 65	72 x 65	\$3941	\$3941	\$4378
PL50 72 72	72 x 72	\$4059	\$4059	\$4496
PL50 72 76	72 x 76	\$4142	\$4142	\$4590
PL50 72 80	72 x 80	\$4224	\$4224	\$4661

Return panel (RP) \$1190 \$1190 \$1190

*Return panel up to 36" wide fixed with U-channel and bottom clips - Standard

*Option - Return panel fixed with UC79 clamps - Call for quote

* Exact opening centreline dimensions and any corner radius details required when ordering

custom upgrades	add
out of square (provide precise details)	+\$250
square towel bars	+\$300

additional custom options	code
shodor will provide custom quotations for the following:	PL50 CUST
• non-standard sizes and openings	
• Low Iron Glass available upon request	
• Enduro Shield available upon request	

- Minimum curb width: 3 1/4"
- Installation requires drilling into curb surface
- Adequate stud backing required for mounting wall hardware
- Minimum width: 45"
- Maximum width: 72"



more inspiration found @shodorshowers



PROLINE PL60 HEAVY GLASS SLIDER

- 10mm tempered glass with polished edges
- Round stainless steel bar with heavy duty rollers
- Wide range of handle options
- Frameless heavy glass and contemporary design
- Custom configuration options
- Three distinct finishes
- Inline sliding door maximizes floor space
- Fully customizable

Includes as standard:
8" D-pull (not shown) –
for other handle options
see pages 56 - 57

PL60 in polished stainless finish



custom PL60 with additional notched inline panel and return panel fixed with clamps

- Minimum curb width: 3 1/4"
- Installation requires drilling into curb surface
- Adequate stud backing required for mounting wall hardware
- Unit width less than 48" requires solid thru glass pull
- Minimum width: 45"

PL60		10mm clear glass		
model	size*	polished stainless (PS)	brushed stainless (BS)	matte black (MBL)
PL60 54 65	54 x 65	\$3127	\$3127	\$3280
PL60 54 72	54 x 72	\$3233	\$3233	\$3398
PL60 54 76	54 x 76	\$3292	\$3292	\$3434
PL60 54 80	54 x 80	\$3351	\$3351	\$3493
PL60 60 65	60 x 65	\$3221	\$3221	\$3375
PL60 60 72	60 x 72	\$3339	\$3339	\$3481
PL60 60 76	60 x 76	\$3398	\$3398	\$3540
PL60 60 80	60 x 80	\$3457	\$3457	\$3611
PL60 72 65	72 x 65	\$3398	\$3398	\$3552
PL60 72 72	72 x 72	\$3540	\$3540	\$3693
PL60 72 76	72 x 76	\$3599	\$3599	\$3764
PL60 72 80	72 x 80	\$3693	\$3693	\$3835

Return panel (RP) \$1100 \$1100 \$1100

*Return panel up to 36" wide fixed with U-channel and bottom clips - Standard

*Option - Return panel fixed with UC79 clamps - Call for quote

* Exact opening centreline dimensions and any corner radius details required when ordering

custom upgrades	add
out of square (provide precise details)	+\$250
fix inline with clamps	+\$290
add tubular towel bar	+\$140

additional custom options	code
---------------------------	------

shodor will provide custom quotations for the following:

- non-standard sizes and openings wider than 72" PL60 CUST
- additional inline or return panels
- Low Iron Glass available upon request
- Enduro Shield Coating available upon request



PROLINE PL70 HEAVY GLASS SLIDER

- 10mm tempered glass with polished edges
- Rectangular stainless steel bar with low profile rollers
- Wide range of handle options
- Frameless heavy glass and contemporary design
- Custom configuration options
- Three distinct finishes
- Inline sliding door maximises floor space
- Suitable for narrow curbs (over 2-5/8" wide)
- Fully customizable

Includes as standard:
8" D-pull (not shown) –
for other handle options
see pages 56 - 57

PL70 in brushed stainless finish



PL70 with clamps

- Minimum curb width: 2-5/8"
- Installation requires drilling into curb surface
- Adequate stud backing required for mounting wall hardware
- Unit width less than 48" requires solid thru glass pull
- Minimum width: 45"
- Maximum width: 72"

PL70		10mm clear glass		
model	size*	polished stainless (PS)	brushed stainless (BS)	matte black (MBL)
PL70 54 65	54 x 65	\$2372	\$2372	\$2466
PL70 54 72	54 x 72	\$2478	\$2478	\$2572
PL70 54 76	54 x 76	\$2537	\$2537	\$2643
PL70 54 80	54 x 80	\$2596	\$2596	\$2702
PL70 60 65	60 x 65	\$2466	\$2466	\$2572
PL70 60 72	60 x 72	\$2584	\$2584	\$2667
PL70 60 76	60 x 76	\$2643	\$2643	\$2749
PL70 60 80	60 x 80	\$2714	\$2714	\$2808
PL70 72 65	72 x 65	\$2655	\$2655	\$2749
PL70 72 72	72 x 72	\$2785	\$2785	\$2879
PL70 72 76	72 x 76	\$2867	\$2867	\$2950
PL70 72 80	72 x 80	\$2938	\$2938	\$3021

Return panel (RP) \$1090 \$1090 \$1090

*Return panel up to 36" wide fixed with U-channel and bottom clips - Standard

*Option - Return panel fixed with UC79 clamps - Call for quote

* Exact opening centreline dimensions and any corner radius details required when ordering

custom upgrades	add
out of square (provide precise details)	+\$250
fix inline with clamps	+\$290
add tubular towel bar	+\$125

additional custom options	code
---------------------------	------

shodor will provide custom quotations for the following:

- non-standard sizes PL70 CUST
- additional inline or return panels
- Low Iron Glass available upon request
- Enduro Shield Coating available upon request



350D custom with return and inline panel, square header and one towel bar

semi-frameless sliders



1040/1050 HEAVY GLASS SEMI-FRAMELESS BYPASS SLIDER

- 10mm glass
- Tempered with polished edges
- Standard two towel bars
- Heaviest gauge aluminum extrusions in the industry
- Easy clean track
- Safety T-lock header
- Heavy duty nylon rollers
- Standard and custom configurations
- Pocketed bumpers enhance the feel of the doors
- Can be used in fibreglass stalls

Includes as standard:
Two towel bars

1040 in silver finish



1050 in brushed nickel finish

Use our sizing guide (page 60) to help find what Shodor enclosure size is the best solution for your needs



more inspiration found @shodorshowers

1040 for tub			10mm clear glass (CLR)		
model	actual size	flts opening	silver (SIL)	brushed nickel (BN)	matte black (MBL)
1040 60 58	60 x 58¼	58 to 60	\$1526	\$1722	\$1722
1040 60 65	60 x 65¼	58 to 60	\$1610	\$1792	\$1792

1050 for shower			10mm clear glass (CLR)		
model	actual size	flts opening	silver (SIL)	brushed nickel (BN)	matte black (MBL)
1050 48 71	48 x 71¼	46 to 48	\$1526	\$1722	\$1722
1050 52 71	52 x 71¼	50 to 52	\$1526	\$1722	\$1722
1050 56 71	56 x 71¼	54 to 56	\$1666	\$1848	\$1848
1050 58 71	58 x 71¼	56 to 58	\$1666	\$1848	\$1848
1050 60 71	60 x 71¼	58 to 60	\$1666	\$1848	\$1848
1050 48 76	48 x 76	46 to 48	\$1792	\$1974	\$1974
1050 58 76	58 x 76	56 to 58	\$1792	\$1974	\$1974
1050 60 76	60 x 76	58 to 60	\$1792	\$1974	\$1974
Return panel	up to 36		\$650	\$700	\$700
Inline panel	up to 36		\$570	\$590	\$590

1050 custom - sizes not listed

1050 CUSTOM	up to 72 wide x 71¼ max high	\$2190	\$2290	\$2290
1050 CUSTOM	up to 66 wide x 80 max high	\$2290	\$2390	\$2390

– specify details

custom upgrade options

contact for quote

out of square fillers (provide detailed dimensions)

cut down height (specify)

1 Knob 1 Towel Bar

2 Knobs



340D/350D DELUXE SEMI-FRAMELESS BYPASS SLIDER

- 6mm glass
- Tempered with polished edges
- Standard two towel bars
- Heaviest gauge aluminum extrusions in the industry
- Easy clean track
- Safety T-lock header
- Heavy duty nylon rollers
- Standard and custom configurations
- New easy to install, mechanically fastened hanger brackets
- Can be used in fibreglass stalls

Includes as standard:
Two towel bars

340D in brushed nickel finish



350D with return panel and 1 towel bar

custom upgrades available for all sizes

obscure glass	+\$689
out of square fillers	contact us for quote *provide detailed dimensions

custom add ons - only available with 340D/350D CUST

1 knob 1 towel bar	+\$199	1TB
2 knobs	+\$149	2PK

Use our sizing guide (page 60) to help find what Shodor enclosure size is the best solution for your needs

340D for tub 6mm clear glass (CLR)

model	actual size	fits opening	silver (SIL)	brushed nickel (BN)	matte black (MBL)
340D 56 57	56 x 57	52 to 56	\$1118	\$1235	\$1235
340D 60 57	60 x 57	56 to 60	\$1118	\$1235	\$1235
340D 56 65	56 x 65	52 to 56	\$1235	\$1365	\$1365
340D 60 65	60 x 65	56 to 60	\$1235	\$1365	\$1365

340D custom - sizes not listed

340D CUST	up to 60 W x 65 H		\$1499	\$1589	\$1589
340D CUST	over 60 W x 76 H		\$1689	\$1749	\$1749

– specify details

350D for shower 6mm clear glass (CLR)

model	actual size	fits opening	silver (SIL)	brushed nickel (BN)	matte black (MBL)
350D 48 70	48 x 70	46 to 48	\$1118	\$1235	\$1235
350D 54 70	54 x 70	50 to 54	\$1118	\$1235	\$1235
350D 56 70	56 x 70	54 to 56	\$1235	\$1365	\$1365
350D 58 70	58 x 70	56 to 58	\$1235	\$1365	\$1365
350D 60 70	60 x 70	58 to 60	\$1235	\$1365	\$1365
350D 48 76	48 x 76	44 to 48	\$1144	\$1274	\$1274
350D 56 76	56 x 76	52 to 56	\$1274	\$1378	\$1378
350D 58 76	58 x 76	54 to 58	\$1274	\$1378	\$1378
350D 60 76	60 x 76	56 to 60	\$1274	\$1378	\$1378
Return panel	clear glass up to 36 wide		\$600	\$650	\$650
Inline panel	clear glass up to 36 wide		\$550	\$570	\$570

350D custom - sizes not listed

350D CUST	from 41" to 46" wide x 76" max high		\$1489	\$1589	\$1589
350D CUST	46" up to 72" wide x 70" max high		\$1689	\$1749	\$1749
350D CUST	46" up to 66" wide x 76" max high		\$1689	\$1749	\$1749

– specify details



340/350 SEMI-FRAMELESS BYPASS SLIDER

- 5mm glass
- Tempered with polished edges
- Standard one towel bar and one pull
- Heaviest gauge aluminum extrusions in the industry
- Easy clean track
- Safety T-lock header
- Heavy duty nylon rollers
- Standard and custom configurations
- New easy to install, mechanically fastened hanger brackets
- Can be used in fiberglass stalls

Includes as standard:
One towel bar

640 / 650 framed sliders available upon request



350 with return panel

custom upgrades available for standard sizes

obscure glass	+\$299
out of square fillers	+contact us for quote
	*provide detailed measurements

custom add ons - only available with 340/350 CUST

2 towel bars	+\$199	2TB
2 pull handles	+\$149	2PK
custom obscure glass	+\$599	CUST OBS

Use our sizing guide (page 60) to help find what Shodor enclosure size is the best solution for your needs

340 for tub 5mm clear glass (CLR)

model	actual size	fits opening	silver (SIL)	brushed nickel (BN)	oil rubbed bronze (ORB)
340 56 57	56¾ x 57	52¾ to 56¾	\$702	\$923	\$923
340 58 57	58¾ x 57	54¾ to 58¾	\$702	\$923	\$923
340 60 57	60¾ x 57	56¾ to 60¾	\$702	\$923	\$923
340 60 65	60¾ x 65	56¾ to 60¾	\$819	\$1040	\$1040

340 custom - sizes not listed

340 CUST	up to 60 wide x 65 max high	\$1349	\$1409	\$1409
340 CUST	over 60 wide x 70 max high – specify details	\$1449	\$1569	\$1569

350 for shower 5mm clear glass (CLR)

model	actual size	fits opening	silver (SIL)	brushed nickel (BN)	oil rubbed bronze (ORB)
350 48 70	48¾ x 70	46¾ to 48¾	\$819	\$1040	\$1040
350 54 70	54¾ x 70	50¾ to 54¾	\$819	\$1040	\$1040
350 56 70	56¾ x 70	54¾ to 56¾	\$819	\$1040	\$1040
350 58 70	58¾ x 70	56¾ to 58¾	\$819	\$1040	\$1040
350 60 70	60¾ x 70	58¾ to 60¾	\$819	\$1040	\$1040
350 48 76	48¾ x 76	46¾ to 48¾	\$949	\$1157	\$1157
350 56 76	56¾ x 76	52¾ to 56¾	\$949	\$1157	\$1157
350 58 76	58¾ x 76	54¾ to 58¾	\$988	\$1222	\$1222
350 60 76	60¾ x 76	56¾ to 60¾	\$988	\$1222	\$1222
Return panel	clear glass up to 36 wide	\$440	\$490	\$490	
Inline panel	clear glass up to 36 wide	\$380	\$430	\$430	

350 custom - sizes not listed

350 CUST	from 41" to 46" wide x 76" max high	\$1349	\$1409	\$1409
350 CUST	46" wide up to 72" wide x 70" max high	\$1449	\$1499	\$1499
350 CUST	46" wide up to 66" wide x 76" max high	\$1499	\$1569	\$1569



10mm custom heavy glass enclosure in matte black finish

frameless heavy glass doors



PL91 STANDARD HINGED HEAVY GLASS DOOR + INLINE PANEL

- Frameless contemporary design
- 10mm clear tempered glass
- Optional 10mm starphire (low iron) ultra clear glass
- Several handle options
- Inline panel can be fixed with channel or clamps
- Wide range of finishes available
- Fully customizable

Includes as standard:
8" D-pull – for other
handle options see
pages 56 - 57

PL91 with channel and
8" BMNW D-pull



PL91 with clamps and MT8x8 handle

- Installation requires drilling into curb surface
- Adequate stud backing required for mounting wall hardware
- Standard 28" wide door at 72", 76" or 80" high
- Square Geneva style wall mounted hinges
- 8" D-pull handle
- Clamp option is UC79 style mounted to notched glass
- Channel option is 3/4" deep
- Door jamb vinyl available upon request



more inspiration found @shodorshowers

PL91		10mm clear glass fixed with channel (CHAN)		
model	size*	chrome (CH)	brushed nickel (BN)	matte black (MBL)
PL91 36 72	36 x 72	\$2086	\$2086	\$2156
PL91 36 76	36 x 76	\$2128	\$2128	\$2198
PL91 36 80	36 x 80	\$2170	\$2170	\$2240
PL91 42 72	42 x 72	\$2226	\$2226	\$2296
PL91 42 76	42 x 76	\$2282	\$2282	\$2352
PL91 42 80	42 x 80	\$2352	\$2352	\$2422
PL91 48 72	48 x 72	\$2366	\$2366	\$2436
PL91 48 76	48 x 76	\$2422	\$2422	\$2492
PL91 48 80	48 x 80	\$2492	\$2492	\$2562
PL91 54 72	54 x 72	\$2562	\$2562	\$2632
PL91 54 76	54 x 76	\$2632	\$2632	\$2702
PL91 54 80	54 x 80	\$2702	\$2702	\$2772
PL91 60 72	60 x 72	\$2716	\$2716	\$2786
PL91 60 76	60 x 76	\$2772	\$2772	\$2842
PL91 60 80	60 x 80	\$2828	\$2828	\$2898

Fixed inline panel with UC79 clamps (CLMP) add \$240

* Exact opening centreline dimensions required when ordering

custom upgrades

contact for quote

out of square (provide precise details)

notched inline panel

add tubular towel bar

add robe hook

additional custom options

code

shodor will provide custom quotations for the following:

- non-standard sizes and openings
- other hardware styles or finishes
- Low Iron Glass available on request
- Enduro Shield available on request

PL91 CUST



PL93 STANDARD HINGED HEAVY GLASS DOOR + INLINE PANEL + RETURN

- Frameless contemporary design
- 10mm clear tempered glass
- Optional 10mm starphire (low iron) ultra clear glass
- Several handle options
- Inline panel can be fixed with channel or clamps
- Wide range of finishes available
- Fully customizable

Includes as standard:

8" D-pull – for other handle options see pages 56 - 57

PL93 with clamps and square handle



PL93 with channel

- Installation requires drilling into curb surface
 - Adequate stud backing required for mounting wall hardware
 - Standard 28" wide door at 72", 76" or 80" high
 - Square Geneva style wall mounted hinges
 - 8" D-pull handle
 - Clamp option is UC79 style mounted to notched glass
 - Channel option is 3/4" deep
 - Door jamb vinyl available upon request
-
- 90 degree sleeve over clamp for return panel

PL93		10mm clear glass fixed with channel (CHAN)		
model	size*	chrome (CH)	brushed nickel (BN)	matte black (MBL)
PL93 36 72	36 x 72	\$3220	\$3220	\$3318
PL93 36 76	36 x 76	\$3276	\$3276	\$3360
PL93 36 80	36 x 80	\$3318	\$3318	\$3402
PL93 42 72	42 x 72	\$3360	\$3360	\$3458
PL93 42 76	42 x 76	\$3416	\$3416	\$3500
PL93 42 80	42 x 80	\$3486	\$3486	\$3570
PL93 48 72	48 x 72	\$3500	\$3500	\$3598
PL93 48 76	48 x 76	\$3556	\$3566	\$3640
PL93 48 80	48 x 80	\$3626	\$3626	\$3710
PL93 54 72	54 x 72	\$3696	\$3696	\$3780
PL93 54 76	54 x 76	\$3766	\$3766	\$3850
PL93 54 80	54 x 80	\$3836	\$3836	\$3920
PL93 60 72	60 x 72	\$3850	\$3850	\$3948
PL93 60 76	60 x 76	\$3906	\$3906	\$3990
PL93 60 80	60 x 80	\$3962	\$3962	\$4046

Fixed inline and return panel with UC79 clamps (CLMP) add \$290
Return panel up to 36" wide

* Exact opening centreline dimensions required when ordering

custom upgrades	contact for quote
-----------------	-------------------

- | | |
|---|--|
| out of square (provide precise details) | |
| notched inline panel | |
| add tubular towel bar | |
| add robe hook | |

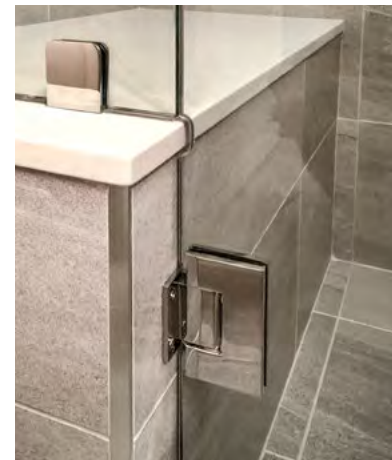
additional custom options	code
---------------------------	------

- shodor** will provide custom quotations for the following:
- | | |
|---|-----------|
| • non-standard sizes and openings | PL93 CUST |
| • other hardware styles or finishes | |
| • Low Iron Glass available upon request | |
| • Enduro Shield available upon request | |



CUSTOM HEAVY GLASS ENCLOSURES

- Custom designed, manufactured and assembled by **shodor**
- The latest designs, styles and finishes
- A wide array of glass including starphire (low iron ultra clear) and satin etch, as well as enduro shield coatings and ceramic frits
- Enclosures are custom designed to fit specific spaces and applications, with considerations for site conditions and interaction with other bathroom fixtures
- **shodor** uses specialized CAD software to design the enclosures and produce the detailed drawings required for CNC machining of the heavy glass



custom glass fabrication detail



frameless heavy glass doors

CUSTOM HEAVY GLASS



SHODOR TUB + SHOWER SHIELDS

- 10mm tempered glass with polished edges
- Square and round top styles
- Includes support bar
- Hinges are solid brass with stainless pins and allen screws
- Hinges feature 200 degrees of swing
- Nested channel wall jamb provides some adjustability for out of square conditions
- Can be used in barrier-free applications on shower bases.



1340S square top with rectangular hinges, support bar removed

1340S square top with rectangular hinges



1350R round top with oval hinges

shodor tub shield

10mm clear glass (CLR)

model	style	hinge	chrome (CH)	brushed nickel (BN)	oil rubbed bronze (ORB)
1340R	round top	oval	\$2444	\$2444	\$2691
1340S	square top	rectangle	\$2444	\$2444	\$2691

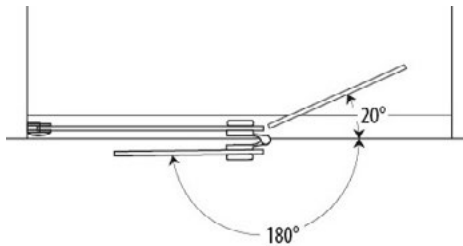
height: 58" (59 $\frac{3}{4}$ " to top of support bar)
 door: 15" wide
 fixed panel: 25F -25 $\frac{7}{8}$ " wide

shodor shower shield

10mm clear glass (CLR)

model	style	hinge	chrome (CH)	brushed nickel (BN)	oil rubbed bronze (ORB)
1350R	round top	oval	\$2444	\$2444	\$2691
1350S	square top	rectangle	\$2444	\$2444	\$2691

height: 75" (76 $\frac{3}{4}$ " to top of support bar)
 door: 15" wide
 fixed panel: 25F -25 $\frac{7}{8}$ " wide



200° door swing



SHODOR CUSTOM TUB AND SHOWER SHIELDS

- Custom designed and quoted to specification by **shodor**
- CAD designed and fabricated to customer specifications
- 10mm or 12mm tempered glass options
- Wide range of glass options including starphire ultra clear
- Enduro shield coatings available
- Solid brass hinges with stainless pins and allen screws
- Hinges feature 200 degrees of swing
- Many hardware options and finishes
- Limitless design possibilities
- Can be designed for barrier-free applications



frameless heavy glass doors

CUSTOM SHIELDS

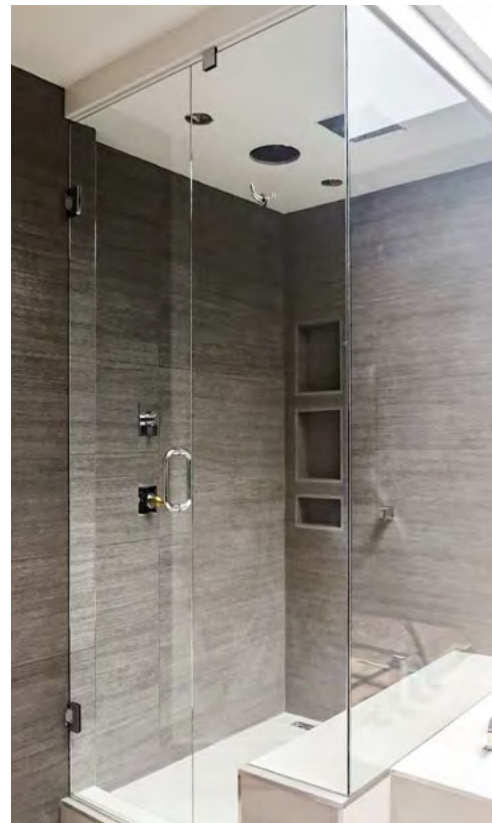


STEAM BATH DOORS

- Hardware set includes hinges, door frame and seals
- Wide range of handle options available
- Quoted to order

- Actual Hardware may differ than shown

10mm steam door



frameless heavy glass doors

STEAM DOORS

CUSTOM HEAVY GLASS STEAM ENCLOSURES

- 10mm heavy glass
- Wide range of hardware options
- Custom designed and manufactured for specific spaces
- Movable transoms possible



more inspiration found @shodorshowers



793 in matte black with SQ6X6 handle

semi-frameless + framed doors



391CVHG SEMI-FRAMELESS DOOR + PANEL

- 6mm continuous hinge door
- 10mm inline panel fixed with channel
- No header or post for a more frameless look
- 6" D-pull handle
- Vinyl strike with a magnetic catch
- Versatile design with panel fabricated to order
- Suitable for fiberglass stalls

Includes as standard:
6" D-pull handle BM6X6 –
for other handle options see
pages 56 - 57

391CVHG

6mm clear door / 10mm clear inline panel

model	opening*	height	silver (SIL)	brushed nickel (BN)	matte black (MBL)
391CVHG 36 66	36	66 15/16	\$1352	\$1560	\$1560
391CVHG 36 70	36	70 7/16	\$1430	\$1651	\$1651
391CVHG 36 74	36	74 7/16	\$1482	\$1690	\$1690
391CVHG 36 78	36	78 7/16	\$1612	\$1911	\$1911
391CVHG 42 66	42	66 15/16	\$1469	\$1677	\$1677
391CVHG 42 70	42	70 7/16	\$1547	\$1781	\$1781
391CVHG 42 74	42	74 7/16	\$1612	\$1820	\$1820
391CVHG 42 78	42	78 7/16	\$1729	\$2041	\$2041
391CVHG 48 66	48	66 15/16	\$1586	\$1794	\$1794
391CVHG 48 70	48	70 7/16	\$1664	\$1885	\$1885
391CVHG 48 74	48	74 7/16	\$1729	\$1950	\$1950
391CVHG 48 78	48	78 7/16	\$1859	\$2184	\$2184
391CVHG 54 66	54	66 15/16	\$1690	\$1924	\$1924
391CVHG 54 70	54	70 7/16	\$1781	\$2002	\$2002
391CVHG 54 74	54	74 7/16	\$1859	\$2067	\$2067
391CVHG 54 78	54	78 7/16	\$1989	\$2301	\$2301
391CVHG 60 66	60	66 15/16	\$1807	\$2015	\$2015
391CVHG 60 70	60	70 7/16	\$1911	\$2119	\$2119
391CVHG 60 74	60	74 7/16	\$1976	\$2184	\$2184
391CVHG 60 78	60	78 7/16	\$2119	\$2431	\$2431

* Exact opening centreline dimensions required when ordering
Specify hinge side - door must hinge off the wall

custom upgrades	add
non standard door	+\$290
tubular towel bar on panel	+\$125
notched inline panel	+\$150
non standard height	+\$290

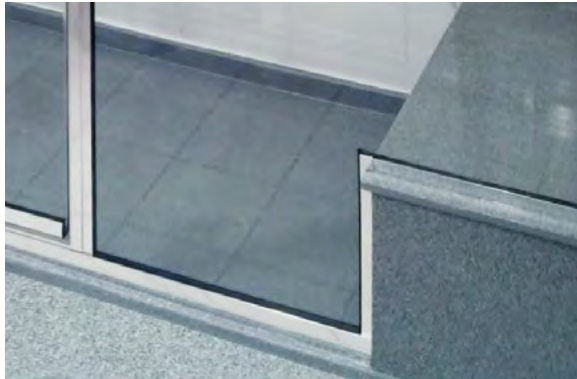
- Standard door opening is 28"
- 25" door opening available upon request
- Maximum height is 78 7/16"
- Maximum door width is 28"



**391CV / 391C6
SEMI-FRAMELESS DOOR
+ INLINE PANEL**

- 6mm tempered glass door with polished edges
- Inline panels are custom fabricated to size
- Standard 6" D-pull handles
- Robust continuous hinge on door
- 391CV door has bottom drip vinyl for a more frameless look
- 391C6 door has aluminum bottom rail for extra rigidity
- Optional light euro style header
- Can be fully customized

Includes as standard:
6" D-pull handle BM6X6 –
for other handle options see
pages 56 - 57



391C6 custom notched inline panel detail

custom upgrades	add	code/notes
non standard size	+\$350	max height 80"
custom dimensions		
obscure glass	+\$689	OBS – specify hinge side
light euro style header	+\$125	
notched inline panel	+\$125	
tubular towel bar	+\$125	



header profiles: standard



light euro style

- standard door opening for the 391CV - 28"
- standard door opening for the 391C6 - 26"
- maximum CV style door width - 30"
- maximum C6 style door width - 36"

Use our sizing guide (page 60) to help find what Shodor enclosure size is the best solution for your needs

391CV - w/Drip Deflector

6mm clear glass (CLR)

model	*opening up to:	standard height	silver (SIL)	brushed nickel (BN)	matte black (MBL)
391CV 48 68		68¾	\$1430	\$1716	\$1716
391CV 48 72	48	72	\$1534	\$1807	\$1807
391CV 48 76		76	\$1560	\$1820	\$1820
391CV 60 68		68¾	\$1547	\$1846	\$1846
391CV 60 72	60	72	\$1664	\$1924	\$1924
391CV 60 76		76	\$1677	\$1950	\$1950
391CV 72 68		68¾	\$1742	\$2041	\$2041
391CV 72 72	72	72	\$1859	\$2132	\$2132
391CV 72 76		76	\$1885	\$2171	\$2171

391C6 - w/Drip Rail Assembly

6mm clear glass (CLR)

model	*opening up to:	standard height	silver (SIL)	brushed nickel (BN)	matte black (MBL)
391C6 48 68		68¾	\$1705	\$2046	\$2046
391C6 48 72	48	72	\$1829	\$2155	\$2155
391C6 48 76		76	\$1860	\$2170	\$2170
391C6 60 68		68¾	\$1845	\$2201	\$2201
391C6 60 72	60	72	\$1984	\$2294	\$2294
391C6 60 76		76	\$2000	\$2325	\$2325
391C6 72 68		68¾	\$2077	\$2434	\$2434
391C6 72 72	72	72	\$2217	\$2542	\$2542
391C6 72 76		76	\$2248	\$2589	\$2589

* Exact opening centreline dimensions required when ordering
Specify hinge side
See pages 50 - 51 for detailed comparison of CV and C6 style doors



391C SEMI-FRAMELESS DOOR + INLINE PANEL

- 5mm tempered glass door with polished edges
- Inline panels are custom fabricated to size
- Standard butterfly style handle
- Robust continuous hinge on door
- Can be fully customized

Includes as standard:
Magnetic butterfly handle

391C		5mm clear glass (CLR)			
model	*opening up to:	standard height	silver (SIL)	brushed nickel (BN)	matte black (MBL)
391C 48 68	48	68¾	\$1287	\$1586	\$1586
391C 48 72		72	\$1391	\$1664	\$1664
391C 48 76		76	\$1417	\$1677	\$1677
391C 60 68	60	68¾	\$1391	\$1677	\$1677
391C 60 72		72	\$1482	\$1755	\$1755
391C 60 76		76	\$1521	\$1794	\$1794
391C 72 68	72	68¾	\$1586	\$1872	\$1872
391C 72 72		72	\$1690	\$1950	\$1950
391C 72 76		76	\$1729	\$1989	\$1989

* Exact opening centreline dimensions required when ordering
Specify hinge side



header profiles: standard



light euro style

- standard door opening 26"
- 391 with pivot hinge door available upon request

custom upgrades	add	code/notes
non standard size	+\$350	max height 80"
custom dimensions		max width 36"
obscure glass	+\$589	OBS – specify hinge side
rain glass	+\$589	RAIN – specify hinge side
light euro style header	+\$125	
notched inline panel	+\$125	
tubular towel bar	+\$125	

Use our sizing guide (page 60) to help find what Shodor enclosure size is the best solution for your needs



791C FRAMED DOOR + INLINE PANEL

- 5mm tempered glass
- Fully framed for durability
- Inline panels are custom fabricated to size
- Robust continuous hinge on door
- Can be customized

791CBF FRAMED BARRIER-FREE DOOR + INLINE PANEL

- 5mm tempered glass
- Configured for barrier-free applications
- Durable framed enclosure
- Extra wide 35" curb free door opening

791C6 FRAMED DOOR + INLINE PANEL

- 5mm tempered glass
- 6" D-pull handle

Includes as standard:

791C/CBF: standard magnetic butterfly handle

791C6: 6" D-pull BM6X6

For other handle options see pages 56 - 57

custom upgrades	add	code/notes
non standard size	+\$350	max height 80"
custom dimensions		max width 35"
Obscure glass	+\$589	OBS – specify hinge side
Rain glass (5mm ONLY)	+\$600	RAIN – specify hinge side
notched inline panel	+\$125	
tubular towel bar	+\$125	

Use our sizing guide (page 60) to help find what Shodor enclosure size is the best solution for your needs

791C/CBF w/ Standard Handle		5mm clear glass (CLR)			
model	*opening up to:	standard height	silver (SIL)	brushed nickel (BN)	matte black (MBL)
791C 48 68	48	68¾	\$1283	\$1607	\$1607
791C 48 72		72	\$1350	\$1674	\$1674
791C 48 76		76	\$1458	\$1755	\$1755
791C 60 68	60	68¾	\$1391	\$1715	\$1715
791C 60 72		72	\$1458	\$1782	\$1782
791C 60 76		76	\$1553	\$1863	\$1863
791C 72 68	72	68¾	\$1593	\$1917	\$1917
791C 72 72		72	\$1661	\$1985	\$1985
791C 72 76		76	\$1782	\$2079	\$2079
791CBF	use 791C opening and height base price		+\$150	+\$150	+\$150

791C6 w/ 6" D-Pull Handle		5mm clear glass (CLR)			
model	*opening up to:	standard height	silver (SIL)	brushed nickel (BN)	matte black (MBL)
791C6 48 68	48	68¾	\$1680	\$2025	\$2025
791C6 48 72		72	\$1755	\$2100	\$2100
791C6 48 76		76	\$1860	\$2205	\$2205
791C6 60 68	60	68¾	\$1785	\$2145	\$2145
791C6 60 72		72	\$1860	\$2220	\$2220
791C6 60 76		76	\$1980	\$2325	\$2325
791C6 72 68	72	68¾	\$2085	\$2445	\$2445
791C6 72 72		72	\$2160	\$2520	\$2520
791C6 72 76		76	\$2295	\$2625	\$2625

* Exact opening centreline dimensions required when ordering

- standard door opening 26" - for both 791C & 791C6 options



392C6 SEMI-FRAMELESS DOOR + RETURN PANEL

792C6 FRAMED DOOR + RETURN PANEL

- 6mm tempered glass
- Door and panel fabricated to size
- Robust continuous hinge on door
- C6 style door with bottom rail for rigidity on wider doors
- Standard 6" D-pull handle
- Can be customized

Includes as standard:
6" D-pull handle BM6X6 –
for other handle options see
pages 56 - 57



more inspiration found @shodorshowers



392C6 in matte black

custom upgrades	add	code/notes
non standard height	+\$350	max height 80"
obscure glass (6mm)	+\$689	OBS – specify hinge side
obscure glass (5mm only)	+\$589	OBS – specify hinge side
rain glass (5mm only)	+\$600	RAIN - specify hinge side
light euro style header	+\$125	
tubular towel bar	+\$125	
buttress	+\$150	

Exact opening centerline dimensions required when ordering

Use our sizing guide (page 60) to help find what Shodor enclosure size is the best solution for your needs

392C6/CV w/ 6" D-Pull Handle		6mm clear glass (CLR)			
model	*opening up to: (door x return)	standard height	silver (SIL)	brushed nickel (BN)	matte black (MBL)
392C6 32 68		68¾	\$1722	\$2072	\$2072
392C6 32 72	32 x 32	72	\$1890	\$2142	\$2142
392C6 32 76		76	\$1946	\$2212	\$2212
392C6 36 68		68¾	\$1806	\$2156	\$2156
392C6 36 72	36 x 36	72	\$1988	\$2226	\$2226
392C6 36 76		76	\$2058	\$2296	\$2296
392C6 48 68		68¾	\$2058	\$2408	\$2408
392C6 48 72	36 x 48	72	\$2226	\$2492	\$2492
392C6 48 76		76	\$2310	\$2576	\$2576

392CV CV frameless minimalist style door - for openings smaller than 32"

*Specify Hinge Side

See pages 50-51 for detailed comparison of CV and C6 style doors

792C6 w/ 6" D-Pull Handle		5mm clear glass (CLR)			
model	*opening up to: (door x return)	standard height	silver (SIL)	brushed nickel (BN)	matte black (MBL)
792C6 32 68		68¾	\$1772	\$2122	\$2122
792C6 32 72	32 x 32	72	\$1940	\$2192	\$2192
792C6 32 76		76	\$1996	\$2262	\$2262
792C6 36 68		68¾	\$1856	\$2206	\$2206
792C6 36 72	36 x 36	72	\$2038	\$2276	\$2276
792C6 36 76		76	\$2108	\$2346	\$2346
792C6 48 68		68¾	\$2108	\$2468	\$2468
792C6 48 72	36 x 48	72	\$2276	\$2542	\$2542
792C6 48 76		76	\$2360	\$2626	\$2626

High Value configurations

* 392C 5mm Glass Semi-frameless with Standard Handle

* 792C Fully Framed with Standard Handle

* Discount varies - contact for quote and availability



**393CV/C6 SEMI-FRAMELESS
DOOR + INLINE + RETURN PANEL**
**793C6 FRAMED DOOR + INLINE
+ RETURN PANEL**

- 6mm tempered glass - 393CV/C6
- 5mm tempered glass - 793C6
- Door and panel fabricated to size
- Robust continuous hinge on door
- C6 style door with bottom rail for rigidity on wider doors
- Standard 6" D-pull handle
- Can be customized

Includes as standard:
6" D-pull handle BM6X6 –
for other handle options see
pages 56 - 57

- standard door opening - 28" - for 393CV
- standard door opening - 26" - for 393C6 & 793C6
- optional custom sized door opening available upon request



793C6 in matte black with square pull and decorative grid

custom upgrades	add	code/notes
non standard size	+\$350	max height 80"
custom dimensions		CV: max W 30" / C6: max W 34"
obscure glass (6mm only)+\$789		OBS – specify hinge side
obscure glass (5mm only) +\$689		OBS – specify hinge side
rain glass (5mm only)	+\$800	RAIN - specify hinge side
light euro style header	+\$125	
notched panel	+\$125	CUST
tubular towel bar	+\$125	
buttress	+\$150	

*Exact opening "finished " centreline dimensions required when ordering
 *See pages 50 - 51 for detailed comparison of CV and C6 style doors

393C6/ CV w/ 6" D-Pull Handle 6mm clear glass (CLR)

model	* opening up to: (door x return)	standard height	silver (SIL)	brushed nickel (BN)	matte black (MBL)
393C6 3636 68		68¾	\$1890	\$2366	\$2366
393C6 3636 72	36 x 36	72	\$2058	\$2520	\$2520
393C6 3636 76		76	\$2142	\$2562	\$2562
393C6 4848 68		68¾	\$2030	\$2506	\$2506
393C6 4848 72	48 x 48	72	\$2212	\$2660	\$2660
393C6 4848 76		76	\$2282	\$2716	\$2716
393C6 6048 68		68¾	\$2128	\$2590	\$2590
393C6 6048 72	60 x 48	72	\$2296	\$2758	\$2758
393C6 6048 76		76	\$2380	\$2800	\$2800

393CV CV frameless minimalist style door - for openings smaller than 32"
 Specify hinge side
 Standard door opening - 26" - for 393C / 393C6 & Standard door opening - 28" - for 393CV style door

793C6 w/ 6" D-Pull Handle 5mm clear glass (CLR)

model	* opening up to: (door x return)	standard height	silver (SIL)	brushed nickel (BN)	matte black (MBL)
793C6 3636 68		68¾	\$2085	\$2610	\$2610
793C6 3636 72	36 x 36	72	\$2280	\$2775	\$2775
793C6 3636 76		76	\$2355	\$2820	\$2820
793C6 4848 68		68¾	\$2235	\$2760	\$2760
793C6 4848 72	48 x 48	72	\$2430	\$2925	\$2925
793C6 4848 76		76	\$2520	\$2970	\$2970
793C6 6048 68		68¾	\$2325	\$2850	\$2850
793C6 6048 72	60 x 48	72	\$2535	\$3030	\$3030
793C6 6048 76		76	\$2625	\$3075	\$3075

High Value configurations

- * 393C 5mm Glass Semi-frameless with Standard Handle
- * 793C Fully Framed with Standard Handle

* Discount varies - contact for quote and availability

semi-frameless + framed doors

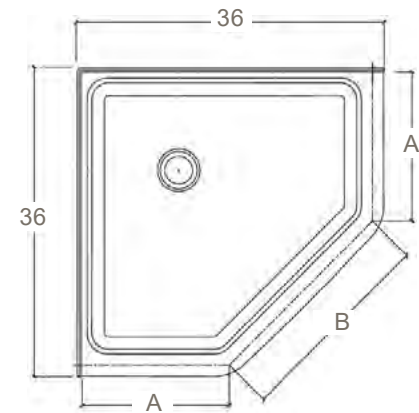
393C 793C



394C SEMI-FRAMELESS NEO ANGLE

794C FRAMED NEO ANGLE

- 5mm or 6mm tempered glass
- Door and panels fabricated to size
- Three distinct door style options
- Robust continuous hinge on door
- Can be customized



394C neo angle



794C with notched panel

custom upgrades	add	code/notes
non standard height	+\$350	max height 80"
oversize 38"/40"/42" base	+\$250	
obscure glass (5mm only)	+\$589	OBS – specify hinge side
obscure glass (6mm only)	+\$689	OBS – specify hinge side
rain glass (5mm only)	+\$600	RAIN - specify hinge side
light euro style header	+\$115	
notched panel	+\$125	
tubular towel bar	+\$125	
buttress	+\$150	

* Exact opening "finished" centreline dimensions required when ordering
 *Specify Hinge side for 394C / 394C6 enclosures

394C		5mm clear glass (CLR)			
model	* opening up to:	standard height	silver (SIL)	brushed nickel (BN)	matte black (MBL)
394C 3636 68	36 x 36	68¾	\$1456	\$1846	\$1846
394C 3636 72	neo base	72	\$1547	\$1950	\$1950
394C 3636 76	A x B x A	76	\$1586	\$1989	\$1989

394C6/CV w/ 6" D-Pull Handle		6mm clear glass (CLR)			
model	* opening up to:	standard height	silver (SIL)	brushed nickel (BN)	matte black (MBL)
394C6 3636 68	36 x 36	68¾	\$1848	\$2156	\$2156
394C6 3636 72	neo base	72	\$1946	\$2296	\$2296
394C6 3636 76	A x B x A	76	\$1988	\$2310	\$2310
394CV 3636 68	36 x 36	68¾	\$1716	\$2002	\$2002
394CV 3636 72	neo base	72	\$1807	\$2132	\$2132
394CV 3636 76	A x B x A	76	\$1846	\$2145	\$2145

C6 and CV doors have standard 6" D-pull handle BM6X6
 Specify hinge side / See pages 50 - 51 for detailed comparison of CV and C6 style doors

794C		5mm clear glass (CLR)			
model	* opening up to:	standard height	silver (SIL)	brushed nickel (BN)	matte black (MBL)
794C 3636 68	36 x 36	68¾	\$1456	\$1846	\$1846
794C 3636 72	neo base	72	\$1547	\$1950	\$1950
794C 3636 76	A x B x A	76	\$1586	\$1989	\$1989

794C6 w/ 6" D-Pull Handle		5mm clear glass (CLR)			
model	* opening up to:	standard height	silver (SIL)	brushed nickel (BN)	matte black (MBL)
794C6 3636 68	36 x 36	68¾	\$2010	\$2355	\$2355
794C6 3636 72	neo base	72	\$2130	\$2505	\$2505
794C6 3636 76	A x B x A	76	\$2160	\$2520	\$2520

C6 doors have standard 6" D-pull handle BM6X6

694 builders series		4mm clear glass (CLR)		4mm obscure glass (OBS)	
model	height	silver (SIL)	silver (SIL)	silver (SIL)	silver (SIL)
694	14¾ x 23¾ x 14¾	68¾	\$1053		+\$467
	15½ x 24¾ x 15½				
	16¾ x 24¾ x 16¾				
	FW: 16¾ x 23¾ x 16¾				

semi-frameless + framed doors

694
794C
394C

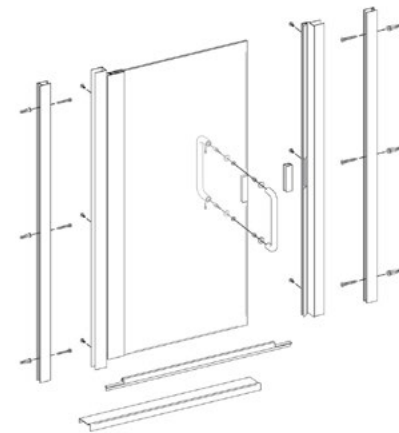


300CV/C6 DELUXE SEMI-FRAMELESS DOORS

- 6mm clear tempered glass with polished edges
- Standard 6" D-pull handle
- Robust continuous hinge
- CV door provides a minimalist design with bottom rail replaced with deflector vinyl
- C6 door option includes aluminum bottom rail and drip rail

Includes as standard:

6" D-pull handle BM6X6 –
for other handle options see
pages 56 - 57



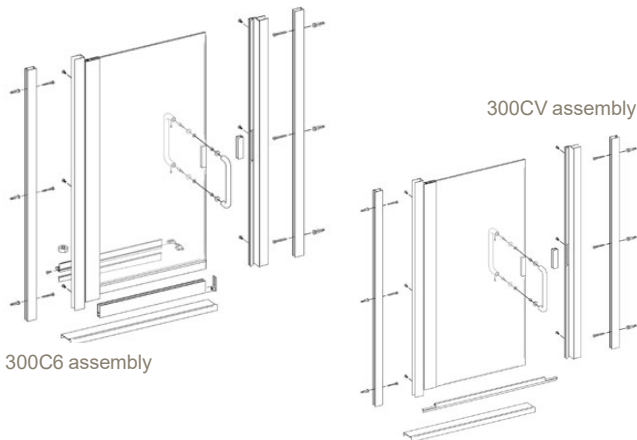
300CV assembly



more inspiration found @shodorshowers



300C6



300C6 assembly

300CV assembly

300CV minimalist look w/ clear drip deflector			6mm clear glass (CLR)		
model	actual size	fits opening	silver (SIL)	brushed nickel (BN)	matte black (MBL)
300CV 24 66	24 x 66 ¹⁵ / ₁₆	23 ⁹ / ₁₆ to 24 ⁷ / ₁₆	\$613	\$738	\$738
300CV 26 66	26 x 66 ¹⁵ / ₁₆	25 ⁹ / ₁₆ to 26 ⁷ / ₁₆	\$613	\$738	\$738
300CV 28 66	28 x 66 ¹⁵ / ₁₆	27 ⁹ / ₁₆ to 28 ⁷ / ₁₆	\$613	\$738	\$738
300CV 30 66	30 x 66 ¹⁵ / ₁₆	29 ⁹ / ₁₆ to 30 ⁷ / ₁₆	\$663	\$788	\$788
300CV 32 66	32 x 66 ¹⁵ / ₁₆	31 ⁹ / ₁₆ to 32 ⁷ / ₁₆	\$663	\$788	\$788
300CV 32 70	32 x 70 ⁷ / ₁₆	31 ⁹ / ₁₆ to 32 ⁷ / ₁₆	\$725	\$850	\$850
300CV 32 74	32 x 74 ⁷ / ₁₆	31 ⁹ / ₁₆ to 32 ⁷ / ₁₆	\$775	\$900	\$900

300C6 aluminum bottom rail w/ drip rail			6mm clear glass (CLR)		
model	actual size	fits opening	silver (SIL)	brushed nickel (BN)	matte black (MBL)
300C6 24 65	24 x 65 ⁹ / ₁₆	23 ⁹ / ₁₆ to 24 ¹³ / ₁₆	\$686	\$826	\$826
300C6 26 65	26 x 65 ⁹ / ₁₆	25 ⁹ / ₁₆ to 26 ¹³ / ₁₆	\$686	\$826	\$826
300C6 28 65	28 x 65 ⁹ / ₁₆	27 ⁹ / ₁₆ to 28 ¹³ / ₁₆	\$686	\$826	\$826
300C6 30 65	30 x 65 ⁹ / ₁₆	29 ⁹ / ₁₆ to 30 ¹³ / ₁₆	\$812	\$882	\$882
300C6 32 65	32 x 65 ⁹ / ₁₆	31 ⁹ / ₁₆ to 32 ¹³ / ₁₆	\$812	\$882	\$882
300C6 34 65	34 x 65 ⁹ / ₁₆	33 ⁹ / ₁₆ to 34 ¹³ / ₁₆	\$812	\$882	\$882
300C6 28 70	28 x 70 ⁷ / ₁₆	27 ⁹ / ₁₆ to 28 ¹³ / ₁₆	\$868	\$1008	\$1008
300C6 30 70	30 x 70 ⁷ / ₁₆	29 ⁹ / ₁₆ to 30 ¹³ / ₁₆	\$868	\$1008	\$1008
300C6 32 70	32 x 70 ⁷ / ₁₆	31 ⁹ / ₁₆ to 32 ¹³ / ₁₆	\$868	\$1008	\$1008
300C6 34 70	34 x 70 ⁷ / ₁₆	33 ⁹ / ₁₆ to 34 ¹³ / ₁₆	\$868	\$1008	\$1008

300C6 specify hinge side (otherwise standard is right)

300CV clear is reversible

* Exact opening centreline dimensions required when ordering

custom upgrades	add	code/notes
obscure glass	+\$290	OBS – specify hinge side
custom dimensions	+\$250	CUST Height up to 76"
any size not listed		CUST Width up to 34" (max 32" for CV)



300C SEMI-FRAMELESS DOOR

- 5mm tempered glass with polished edges
- Robust continuous hinge
- Vinyl seal on pivot jamb
- Adjustable vinyl drip wiper for leak prevention

Includes as standard:
Magnetic butterfly handle

300C			5mm clear glass (CLR)		
model	actual size	fits opening	silver (SIL)	brushed nickel (BN)	matte black (MBL)
300C 24 65	24 x 65 ⁹ / ₁₆	23 ⁹ / ₁₆ to 24 ¹³ / ₁₆	\$538	\$663	\$663
300C 26 65	26 x 65 ⁹ / ₁₆	25 ⁹ / ₁₆ to 26 ¹³ / ₁₆	\$538	\$663	\$663
300C 28 65	28 x 65 ⁹ / ₁₆	27 ⁹ / ₁₆ to 28 ¹³ / ₁₆	\$538	\$663	\$663
300C 30 65	30 x 65 ⁹ / ₁₆	29 ⁹ / ₁₆ to 30 ¹³ / ₁₆	\$575	\$713	\$713
300C 32 65	32 x 65 ⁹ / ₁₆	31 ⁹ / ₁₆ to 32 ¹³ / ₁₆	\$575	\$713	\$713
300C 34 65	34 x 65 ⁹ / ₁₆	33 ⁹ / ₁₆ to 34 ¹³ / ₁₆	\$575	\$713	\$713
300C 28 70	28 x 70 ⁷ / ₁₆	27 ⁹ / ₁₆ to 28 ¹³ / ₁₆	\$613	\$725	\$725
300C 30 70	30 x 70 ⁷ / ₁₆	29 ⁹ / ₁₆ to 30 ¹³ / ₁₆	\$613	\$725	\$725
300C 32 70	32 x 70 ⁷ / ₁₆	31 ⁹ / ₁₆ to 32 ¹³ / ₁₆	\$613	\$725	\$725
300C 34 70	34 x 70 ⁷ / ₁₆	33 ⁹ / ₁₆ to 34 ¹³ / ₁₆	\$613	\$725	\$725

Stock doors hinged on the right

Hinge side can be specified if doors are built to order
 Exact opening "finished" centreline dimensions required when ordering

custom upgrades	add	code/notes
obscure glass	+\$255	OBS – specify hinge side (default right)
rain glass	+\$290	RAIN – specify hinge side (default right)
any size not listed	+\$200	CUST – up to 36" Wide x 76 High"

Use our sizing guide (page 60) to help find what Shodor enclosure size is the best solution for your needs



more inspiration found @shodorshowers



700C FRAMED ENCLOSURE

- 4mm tempered glass
- Robust continuous hinge
- Vinyl seal on pivot jamb
- Adjustable vinyl drip wiper for leak prevention
- Fully framed for maximum durability
- Ideal for environments with high wear and tear

Includes as standard:
Magnetic butterfly handle

700C			4mm clear glass (CLR)		
model	actual size	fits opening	silver (SIL)	brushed nickel (BN)	matte black (MBL)
700C 24 66	24 x 66 ¹⁵ / ₁₆	23½ to 24¾	\$525	\$625	\$625
700C 26 66	26 x 66 ¹⁵ / ₁₆	25½ to 26¾	\$525	\$625	\$625
700C 28 66	28 x 66 ¹⁵ / ₁₆	27½ to 28¾	\$525	\$625	\$625
700C 30 66	30 x 66 ¹⁵ / ₁₆	29½ to 30¾	\$525	\$675	\$675
700C 32 66	32 x 66 ¹⁵ / ₁₆	31½ to 32¾	\$525	\$675	\$675
700C 33 66	33 x 66 ¹⁵ / ₁₆	32½ to 33¾	\$525	\$675	\$675
700C 34 66	34 x 66 ¹⁵ / ₁₆	33½ to 34¾	\$525	\$675	\$675
700C 30 70	30 x 70 ⁷ / ₁₆	29½ to 30¾	\$575	\$738	\$738
700C 32 70	32 x 70 ⁷ / ₁₆	31½ to 32¾	\$575	\$738	\$738

* Exact opening centreline dimensions required when ordering

custom upgrades	add	code/notes
obscure glass	+\$255	OBS – specify hinge side
rain glass	+\$290	RAIN – specify hinge side
any size not listed	+\$200	CUST – up to 36" Wide x 76 High"

Use our sizing guide (page 60) to help find what Shodor enclosure size is the best solution for your needs

handles

- Several finishes are available depending on handle style
- Standard doors with 6" or 8" handles can only substitute same size handles
- Additional charges may apply depending on the door, handle style and any customization
- Other handles (not shown) are available upon request



D-PULL WITHOUT METAL WASHERS

- BMNW6X6
- BMNW8X8



D-PULL WITH METAL WASHERS

- BM6X6
- BM8X8



TUBULAR LADDER PULL

- LP6X6 (LOA 10")
- LP8X8 (LOA 12")
- LP24 (LOA 24") – custom only



ALL SQUARE LADDER PULL

- SQLP10X10 (LOA 12") – custom only



SQUARE LADDER PULL

- SLP6X6
- SLP8X8



SQUARE STYLE PULL

- SQ6X6
- SQ8X8



ROUND MITERED STYLE PULL WITH METAL WASHERS

- MT6X6
- MT8X8
- can be installed without washers upon request



FLAT ROUND PULL

- RM6X6
- RM8X8



PULL KNOBS

- SDK106
- many styles are available



HOLLOW THRU GLASS PULL

- SERP2 – 2" diameter opening



SOLID THRU GLASS PULL

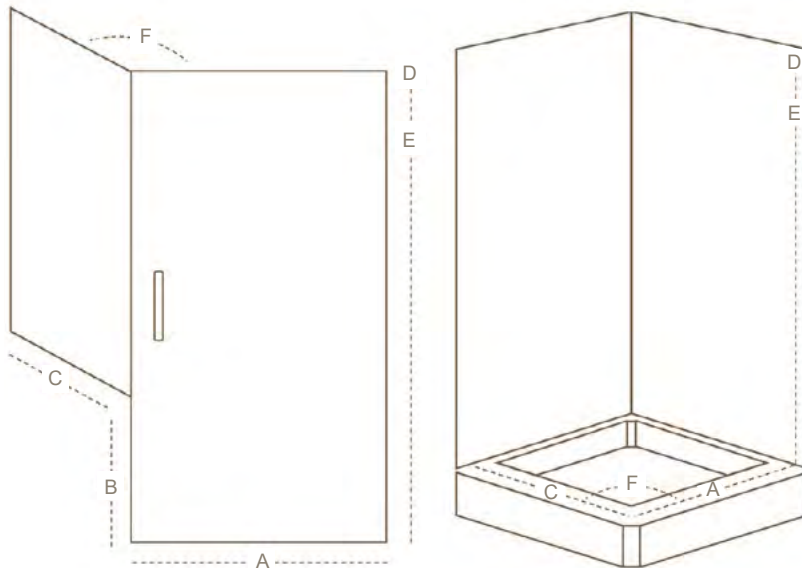
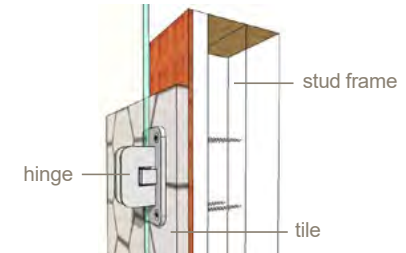
- SERNHP – 2" diameter opening

measuring guide + checklist

Ordering the correct size enclosure is the crucial first step to a proper installation. The following diagrams and notes are designed to help guide you through proper measurement process. Please take a moment to review. The more information you can provide the better.

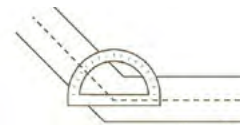
Design guide and checklist:

- Provide centreline dimensions after all tiling/finishing is complete
- Any out-of-square conditions clearly indicated
- Hardware finish
- Header or support bar, if necessary
- Handle style, hinge style
- Door size (standard sizes indicated in our catalogue)
- Door pivot side indicated
- U-channel or clamps for fixed panels
- Type of glass: clear, obscure, starphire, etc.
- Enduro shield glass coating option
- Wall hinges and heavy glass sliders require adequate stud backing to support doors – see figure to the right

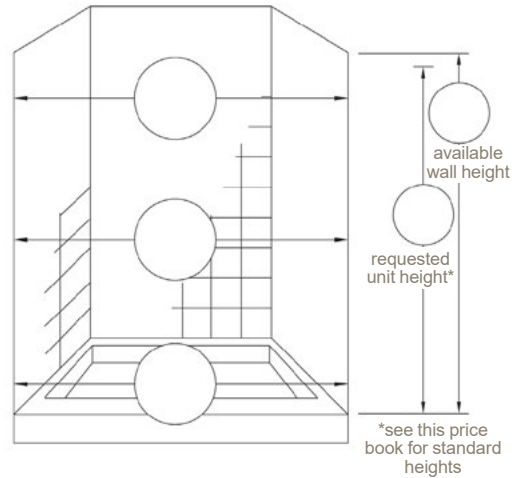
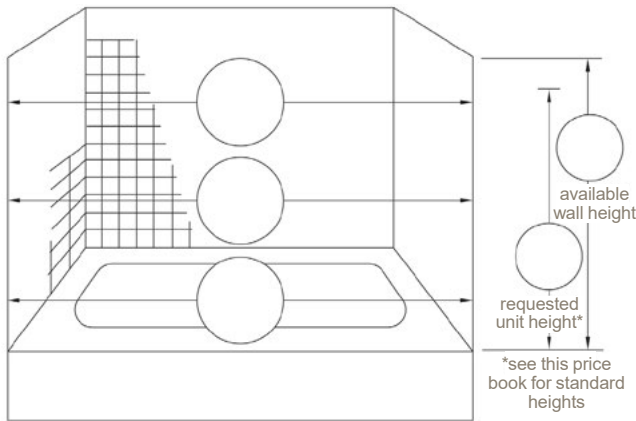
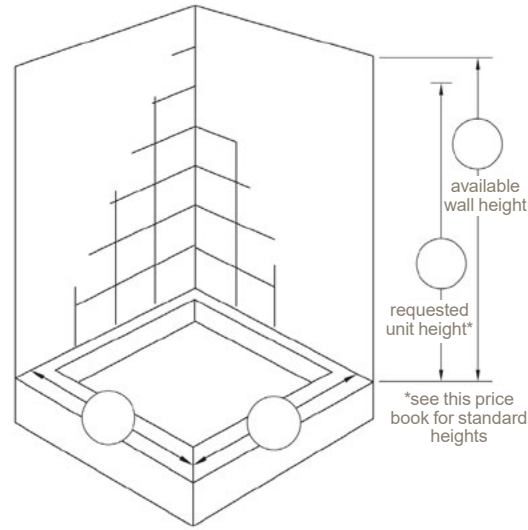
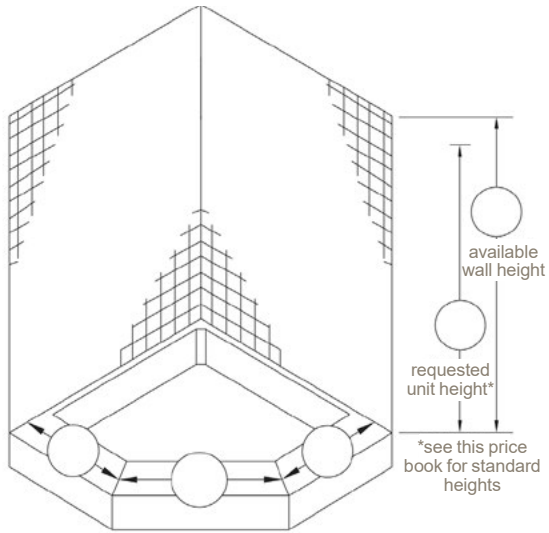


Example (letters correspond to the diagrams on the left):

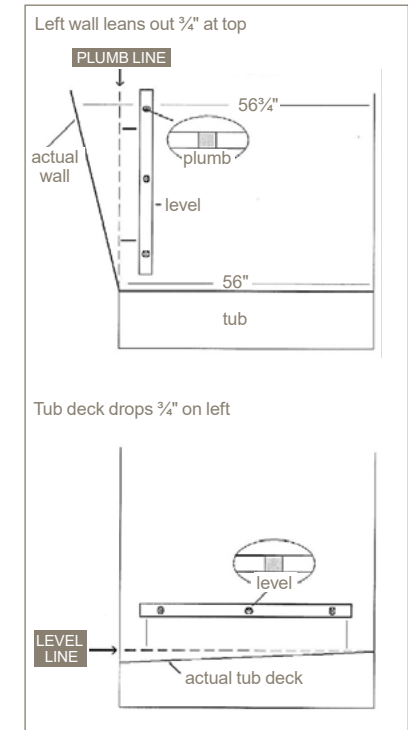
- What is the centreline dimension of the threshold?
- What is the height of the buttress?
- What are the centreline dimensions of the return panel(s)?
- What is the maximum height the installation will accept?
- Specify the desired height of the enclosure (this price book lists standard heights)
- What is/are the angle(s) on any return panel(s)?



Use a protractor on centrelines for angles



Sample out-of-square conditions



Clearly indicate the positions of any out-of-square conditions

Measurements should be centreline after tiling is complete

Note if there is a radius at the interface between the tiles and the tub or shower base

Provide dimensions

sizing guide

HOW TO USE THIS GUIDE

model	hinged opening	slider opening	max height	common door options: hinged	slider
123 Model name	XX (vc)	XX	XX	XX / XX	XX / XX
	<p>Hinged opening: For a hinged door option this is the centreline opening that you would order. For tiled walls a centreline measurement must be made when tiling is completed and provided when ordering.</p> <p>(vc) = verify centreline opening</p>	<p>Slider opening: For a slider style door this is the opening and the size that would apply to door. Sliders have more flexibility because the glass overlaps in the middle.</p>	<p>Max height: This is the maximum possible height of the enclosure. Pick the standard height you desire that will fit (or specify your custom height — within the max possible).</p>	<p>Common door options: Examples of the most common enclosures. Other options and heavy glass enclosures not listed are often available.</p>	

Notes

- 391 series refers to 391C, 391C6, 391CV, 391CVHG
- PL 10mm hinged series doors will require custom sizes in some cases
- HGS* refers to 10mm heavy glass sliders: Cambridge, PL50, PL60, PL70
- 1340* requires minimum 58" height unless customized
- 1350* requires minimum 75" height unless customized

ACRI-TEC

model		hinged opening	slider opening	max height	common door options: hinged	slider
75001	Kensington 36" shower	29 $\frac{5}{8}$	n/a	71	300C / 300CV / 700C / 300C6	
75003/4	Kensington 48" shower	41 $\frac{3}{8}$	43	72	391C series / 791C	350 / 350D
75005	Kensington 60" shower	53 $\frac{1}{8}$	54	72	391C series / 791C	350 / 350D
76001/2	Kensington 60" tub + shower	n/a	54	57		340 / 340D
75002	Kensington 36" neo	16 $\frac{1}{2}$ x 23 $\frac{3}{4}$ x 16 $\frac{1}{2}$	n/a	71 $\frac{1}{2}$	394C series / 794C / 694 FW	
63031	32 x 32 single threshold base	30 (vc)	n/a	tile height	300C / 300CV / 700C / 300C6	
60001	32 x 32 dt base	29 $\frac{3}{4}$ x 29 $\frac{3}{4}$ (vc)	n/a	tile height	392C series / 792C	
63113	36 x 36 single threshold base	34 $\frac{1}{4}$ (vc)	n/a	tile height	300C / 300CV / 700C / 300C6 / PL91	
60031	36 x 36 dt base	34 x 34 (vc)	n/a	tile height	392C series / 792C / PL93	
63311	54 x 36 single threshold base	54 (vc)	54	tile height	391C series / 791C / PL91 / 1350 *350 / 350D / HGS*	

ALTREK

model		hinged opening	slider opening	max height	common door options: hinged	slider
AS Princess (1 + 2pc)		57 $\frac{1}{4}$	58	68 $\frac{1}{4}$	391C series / 791C	350 / 350D cut down
AS Princess (4pc split L/R)		57 $\frac{1}{4}$	58	69 $\frac{1}{4}$	391C series / 791C	350 / 350D cut down
AS 2930 – renovator		27 $\frac{1}{2}$	n/a	73	300C / 700C / 300CV / 300C6	
AS 3232 + split		30	n/a	70 $\frac{3}{4}$	300C / 700C / 300CV / 300C6	
AS 32 DT		30 x 30	n/a	71 $\frac{1}{2}$	392C / 792C / 392C6	
AS 32 DT split		30 x 30	n/a	71 $\frac{1}{2}$	392C / 792C / 392C6	
AS 3630		31 $\frac{1}{2}$	n/a	72	300C / 700C / 300CV / 300C6	
AS 3636		33 $\frac{7}{8}$	n/a	71 $\frac{1}{2}$	300C / 700C / 300CV / 300C6	
AS 3636 split		33 $\frac{7}{8}$	n/a	71 $\frac{1}{2}$	300C / 700C / 300CV / 300C6	
AS 36 DT		33 $\frac{3}{4}$ x 33 $\frac{3}{4}$	n/a	71 $\frac{1}{2}$	392C / 792C / 392C6	
AS 36 DT split		33 x 33	n/a	72	392C / 792C / 392C6	
AS 36 neo		16 $\frac{1}{2}$ x 23 $\frac{3}{4}$ x 16 $\frac{1}{2}$	n/a	71 $\frac{1}{2}$	394C / 794C / 394C6 / (694 — 16FW)	
AS 36 neo split		16 x 24 $\frac{3}{4}$ x 16	n/a	72	394C / 794C / 394C6 / (694 – 15 $\frac{1}{2}$)	
AS 38 neo		16 $\frac{3}{4}$ x 24 $\frac{3}{4}$ x 16 $\frac{3}{4}$	n/a	73	394C / 794C / 394C6 / (694 – 16 $\frac{3}{8}$)	
AS 4234		38 $\frac{3}{4}$	n/a	67 $\frac{1}{4}$	391C series / 791C	
AS 4836 + split		45 $\frac{1}{2}$	48	71 $\frac{1}{4}$	391C series / 791C	350 / 350D
AS GL – 4836		42 $\frac{1}{2}$	43	69 $\frac{1}{2}$	391C series / 791C	350 / 350D
AS 6034 ED (4pc L/R)		57	58	74	391C series / 791C	350 / 350D
AS 6034 ED		57 $\frac{1}{2}$	58	71 $\frac{1}{2}$	391C series / 791C	350 / 350D
AS 6035		55 $\frac{1}{2}$	56	72	391C series / 791C	350 / 350D
AS 6036 BFS		57	58	74	391C series / 791C / 791CBF	350 / 350D
AF 6030 split		n/a	54	53 $\frac{1}{2}$		340 / 340D

ALTREK continued

model	hinged opening	slider opening	max height	common door options: hinged	slider
AT 6032	n/a	58	59		340 / 340D
AF 6032 (above floor)	n/a	58	51 ¹ / ₄		340 / 340D
AT 6032 split	n/a	58	62		340 / 340D
AF Chinook L/R	n/a	54	57 ¹ / ₄		340 / 340D
AF Monaco 30 2pc and 4pc L/R	n/a	58	55		340 / 340D
AF Monaco 32 split L/R	n/a	58	55		340 / 340D
AF Monaco 32 4pc L/R	n/a	58	55		340 / 340D
AF Triplicity	n/a	54	53 ¹ / ₄		340 / 340D
AF GL-6032	n/a	54	57 ¹ / ₄		340 / 340D
AF 6034 (above floor)	n/a	54	57 ¹ / ₂		340 / 340D
AF GL 6034 (above floor)	n/a	54	56 ¹ / ₂		340 / 340D
AF Cassandra 60-42	n/a	56	56 ³ / ₄		340 / 340D
AF 6634 (above floor)	n/a	60	54		340 / 340D
AT 7236 TW	n/a	66	53		340 / 340D
AB 32 base	29 ¹ / ₂	n/a	tile height	300C / 700C / 300CV / 300C6	
AB 36 base	34 (vc)	n/a	tile height	300C / 700C / 300CV / 300C6	
AB 36 DT base	34 x 34 (vc)	n/a	tile height	392C / 792C / 392C6 / PL93	
AB 36 neo base	16 ³ / ₄ x 24 ³ / ₄ x 16 ³ / ₄	n/a	tile height	394C / 794C / 394C6 / 694 – 16 ³ / ₈	
AB 42 base	42 (vc)	43	tile height	391C series / 791C / PL91	350 / 350D
AB 48 base	46 (vc)	46	tile height	391C series / 791C / PL91	350 / 350D / HGS*
AB 60 base	60 (vc)	60	tile height	391C series / 791C / PL91	350 / 350D / HGS*
AB 6032 ED	60 (vc)	60	tile height	391C series / 791C / PL91	350 / 350D / HGS*
AB 6034 base	59 ¹ / ₂ (vc)	60	tile height	391C series / 791C / PL91	350 / 350D / HGS*
AB Princess base	57 ¹ / ₄ (vc)	58	tile height	391C series / 791C / PL91	350/350D

HYTEC

model	hinged opening	slider opening	max height	common door options: hinged	slider
AC 36	32 ⁵ / ₈	n/a	67	300C / 700C / 300CV / 300C6	
AC 60/61	52 1/4	54	64 ³ / ₄	1340*	340 / 340D
AC 62/63	n/a	54	57	1340*	340 / 340D
AC 90/91	n/a	54	60		340 / 340D
AC 100/101	n/a	64 ¹ / ₂	57		340 / 340D
AC 3060 (tub)	n/a	58	tile height	1340*	340 / 340D / HGS*
AC 3260 (tub)	n/a	58	tile height	1340*	340 / 340D / HGS*
AC 3266	n/a	64	tile height	1340*	340 / 340D / HGS*
AC 4844/45/46	42 ³ / ₈	43	74	391C series / 791C	350 / 350D
AC 6170/71/72/73	52 ¹ / ₄	54	80	391C series / 791C	350 / 350D

HYTEC continued

model	hinged opening	slider opening	max height	common door options: hinged	slider
AC 6370/71/72/73	52¼	54	72	391C series / 791C	350 / 350D
AC 6536	57	60	68½	391C series / 791C	350 / 350D
AC 9180/81 Rockford	34 x 31 x 72 w/buttress 19" - (vc)	n/a	tile height	392C / 792C / 392C6 / PL93	
AC 9190/91 Rockford	39 x 33¼ w/buttress 19 - (vc)	n/a	tile height	393C / 793C / 393C6 / PL93	
AC 9376/77 Rockford	33¾ x 32½ w/buttress 18⅞	n/a	tile height	392C / 792C / 392C6 / PL93	
AC 9636/37 Chrysalis	33½ x 31½ w/buttress 12	n/a	tile height	392C / 792C / 392C6 / PL93	
AC 10836/37 Rockford	38¾ x 32½ w/buttress 18⅞	n/a	tile height	393C / 793C / 393C6 / PL93	
ACR 36N	16¾ x 23¾ x 16¾	n/a	tile height	394C / 794C / 394C6 / (694 — 16FW)	
ACR 363 (base)	34 (vc)	n/a	tile height	300C / 300CV / 700C / 300C6 / PL91	
ACR 364 (base)	34½ (vc)	n/a	tile height	300C / 300CV / 700C / 300C6 / PL91	
ACR 3769 (base)	48 (vc)	48	tile height	391C series / 791C / PL91	350 / 350D / HGS*
ACR 3770 (base)	60 (vc)	60	tile height	391C series / 791C / PL91	350 / 350D / HGS*
ACR 3771 (base)	32 (vc)	n/a	tile height	300C / 300CV / 700C / 300C6 / PL91	
ACR 3774 (base)	48 (vc)	48	tile height	391C series / 791C / PL91	350 / 350D / HGS*
ACR 3775 (base)	60 (vc)	60	tile height	391C series / 791C / PL91	350 / 350D / HGS*
ACR 3778 (base)	48 (vc)	48	tile height	391C series / 791C / PL91	350 / 350D / HGS*
ACR 3778 DTA (base)	48 x 34 (vc)	(vc)	tile height	393C / 793C / 393C6 / PL93	350 / 350D / HGS* w return
ACR 3778 DTB (base)	48 x 34 (vc)	(vc)	tile height	393C / 793C / 393C6 / PL93	350 / 350D / HGS* w return
ACR 3780 (base)	60 (vc)	60	tile height	391C series / 791C / PL91	350/350D/HGS*
ACR 3781 (base)	36 (vc)	n/a	tile height	300C / 300CV / 700C / 300C6 / PL91	
ACR 3787 (base)	42 (vc)	43	tile height	391C series / 791C / PL91	350 / 350D
ACR 3792 (base)	48 (vc)	48	tile height	391C series / 791C / PL91	350 / 350D / HGS*
ACR 3794N	16 x 23¾ x 16	n/a	tile height	394C / 794C / 394C6 / (694 — 16FW)	
ACR 3795N	22¼ x 23⅞ x 22¼	n/a	tile height	394C / 794C / 394C6	
ACR 3796DT (base)	36 x 36 (vc)	n/a	tile height	393C / 793C / 393C6 / PL93	
ACR 483 (base)	47⅝ (vc)	48	tile height	391C series / 791C / PL91	350 / 350D / HGS*
ACR 603 (base)	58 (vc)	58	tile height	391C series / 791C / PL91	350 / 350D / HGS*
GR 36N (base w/ 3660 walls)	16¼ x 23¾ x 16¼	n/a	71	394C / 794C / 394C6 / (694 — 16FW)	
GR 36N (base w/ tiled walls)	16¼ x 23¾ x 16¼	n/a	tile height	394C / 794C / 394C6 / (694 — 16FW)	
GR 363 (base w/ 3660/61 walls)	33⅞	n/a	71	300C / 300CV / 700C / 300C6	
GR 363 (base w/ tiled walls)	33⅞	n/a	tile height	300C / 300CV / 700C / 300C6 / PL91	
GR 483 (base w/ 3660/62 walls)	45⅞	47	71	391C series / 791C	350 / 350D
GR 483 (base w/ tiled walls)	45⅞	47	tile height	391C series / 791C / PL91	350 / 350D / HGS*
GR 603 (base w/3063+3663)	57⅞	58	71	391C series / 791C	350 / 350D
GR 603 (base w/ tiled walls)	57⅞	58	tile height	391C series / 791C / PL91	350 / 350D / HGS*
GR 5410 (base w/5530+5760)	57	58	76	391C series / 791C	350 / 350D

HYTEC continued

model	hinged opening	slider opening	max height	common door options: hinged	slider
PA 17	37	n/a	71	391C series / 791C	
PA 32/33	n/a	55	56 1/4		350 / 350D
S600	53 1/4	54	72	391C series / 791C	350 / 350D
S601	53 3/8	54	72	391C series / 791C	350 / 350D
S602/S603	53 3/8	54	72	391C series / 791C	350 / 350D
TW 9501	34	n/a	71	300C / 300CV / 700C / 300C6	
TW 9502/03	43	43	71 1/2	391C series / 791C	350 / 350D
TW 9504	55	56	71	391C series / 791C	350 / 350D
TW 9505/06	n/a	56	57		350 / 350D
TW 9508/09	55	56	71	391C series / 791C	350 / 350D
3060/61 (tiled or w/walls)	n/a	58	tile height (58 with walls)		340 / 340D / HGS*(with tile only)
3232	27 3/4	n/a	72	300C / 300CV / 700C / 300C6	
3610	29 1/2	n/a	72	300C / 300CV / 700C / 300C6	
3620	29 3/4	n/a	71 1/2	300C / 300CV / 700C / 300C6	
3636DT	31 1/2 x 31 1/2	n/a	71 1/2	392C / 792C / 392C6	
3636N	14 3/4 x 23 3/4 x 14 3/4	n/a	71 1/2	394C / 794C / 394C6 / (694 - 14 3/4)	
4040N	14 3/4 x 29 1/8 x 14 3/4	n/a	73	394C / 794C / 394C6	
4290 neo base (w/walls)	18 3/4 x 26 3/4 x 18 3/4	n/a	tile height	394C / 794C / 394C6	
3740	29 3/4	n/a	71 1/2	300C / 300CV / 700C / 300C6	
3832/33	n/a	58	tile height	1340*	340 / 340D / HGS*
3930/31	n/a	58	tile height	1340*	340 / 340D / HGS*
4160/61 HA/HB	42	43	73 1/4	391C series / 791C	350 / 350D
4820/21	41 1/2	43	72	391C series / 791C	350 / 350D
4824/25	35 5/8 x 41 1/2 w/buttress 15 5/8	n/a	70	393C / 793C / 393C6 / PL93	
4826/27	44	44	70 1/2	391C series / 791C	350 / 350D
4836	42 5/8	43	76	391C series / 791C	350 / 350D
5686/87	n/a	54 1/2	57		340 / 340D
5696/97	54 1/8	54	57		340 / 340D
6032/33	n/a	54	57		340 / 340D
6042/43	n/a	54	57		340 / 340D
6094/95	56	56	70 1/2	391C series / 791C	350 / 350D
6101	41 1/2	43	73 1/2	391C series / 791C	350 / 350D
6642/43	n/a	60	57		340 / 340D
7236/37	n/a	64	55		340 / 340D
14810/11	58 1/8 (vc)	60	tile height	391C series / 791C / PL91	340 / 340D / HGS*
14812	45 1/4 x 45 1/4 (vc)	n/a	tile height	393C / 793C / 393C6 / PL93	350 / 350D / with return

MAAX

model		hinged opening	slider opening	max height	common door options: hinged	slider
107006	Allia SHR 3636	29¾	n/a	76	300C / 300CV / 700C / 300C6	
107007-S	Allia SH-3636 (2pc)	29¾	n/a	74¾	300C / 300CV / 700C / 300C6	
107005	Allia SH-4834 (1pc)	41¾	43	74¾	391C series / 791C	350 / 350D
107004	Allia SHR-4834 (1pc)	41¾	43	76¾	391C series / 791C	350 / 350D
107003	Allia SH-6034 (1pc)	53¾	54	74¾	391C series / 791C	350 / 350D
107002	Allia SHR-6034 (1pc)	53¾	54	76⅝	391 C series / 791C	350 / 350D
107006-S	Allia SHR-3636 (1 or 3pc)	29¾	n/a	76¾	300C / 300CV / 700C / 300C6	
107000	Allia TSR-6032 (1pc)	n/a	54	59		340 / 340D
107001	Allia TS-6032 (1pc)	n/a	54	58		340 / 340D
101023	Aspen 3P (3pc)	n/a	54	64		340 / 340D
100090	Apex 108 9ft	35 x 30¾ w/buttress 12⅝	n/a	tile height	393C / 793C / 393C6 / PL93	
100091	Apex 96 8ft	34 x 31⅝ w/buttress 13⅝	n/a	tile height	392C / 792C / 392C6 / PL93	
140007	CSS36	16 x 24¾ x 16	n/a	71½	394C / 794C / 394C6 / (694 – 15½)	
140168	CSS38	18¾ x 23¾ x 18¾	n/a	72	394C / 794C / 394C6	
140009	CSS40	17¼ x 28½ x 17¼	n/a	71½	394C / 794C / 394C6	
140079	SECCSS36 (2pc)	16 x 24¾ x 16	n/a	71½	394C / 794C / 394C6 / (694 – 15½)	
148018	Essence SH-3232	28½	n/a	72⅝	300C / 300CV / 700C / 300C6	
148024	Essence SH-3636	32½	n/a	72⅝	300C / 300CV / 700C / 300C6	
148030	Essence SH-4834	44½	46	76⅞	391C series / 791C	350 / 350D
148036	Essence SH-6030	56½	56	76¼	391C series / 791C	350 / 350D
148042	Essence SH-6034	56½	56	76¼	391C series / 791C	350 / 350D
105623	Finesse base 32 x 60	60 (vc)	60	tile height	391C series / 791C / PL91	350 / 350D / HGS*
105624	Finesse base 32 x 48	48 (vc)	48	tile height	391C series / 791C / PL91	350 / 350D / HGS*
105625	Finesse base 32 x 42	42 (vc)	n/a	tile height	391C series / 791C / PL91	
145036	KDS 3060	56½	56	76¼	391C series / 791C	350/350D
145018	KDS 3232	28½	n/a	72⅝	300C / 300CV / 700C / 300C6	
145030	KDS 3448	44½	44	76⅞	391C series / 791C	350 / 350D
145042	KDS 3460	56½	56	76¼	391C series / 791C	350 / 350D
145024	KDS 3636	32½	n/a	72⅝	300C/300CV/700C/300C6	
145012	KDTS 3260	n/a	58	63⅞		340 / 340D
140045	SST36	33	n/a	65¾	300C / 700C / 300CV / 300C6	custom height
140085	SS 32	28¾	n/a	72	300C / 300CV / 700C / 300C6	
140086	SS 36	29⅝	n/a	72½	300C / 300CV / 700C / 300C6	
140043	SS 3060	56¾	56	66	391C series / 791C	350 / 350D
140087	SS 3648 L/R	42 ⅞	43	70½	391C series / 791C	350 / 350D
105932	SST 42	38 3/4	N/A	70	391C series / 791C	
102613	US 36	33	N/A	72	300C/300CV/700C/300C6	

MAAX continued

model		hinged opening	slider opening	max height	common door options: hinged	slider
140545	SS 3648	46	46	65¾	391C series / 791C	350 / 350D
102676	SS 3660 R/L	54	54	71½	391C series / 791C	350 / 350D
101140	Stamina 48-II (1pc)	43	43	71	391C series / 791C	350 / 350D
101141	Stamina 60-I (1pc)	52¾	54	71	391C series / 791C	350 / 350D
101141-S	Stamina 60-I (3pc)	52¾	54	71	391C series / 791C	350 / 350D
101142	Stamina 60-II (1pc)	52¾	54	71	391C series / 791C	350 / 350D
101142-S	Stamina 60-II (2pc)	52¾	54	71	391C series / 791C	350 / 350D
140100	TSEA 62	n/a	58	56		340 / 340D
140101	TSEA 63	n/a	58	56½		340 / 340D
105674	TSEA plus	n/a	56	57¼		340 / 340D
101422	36" neo base + walls	15½ x 24¾ x 15½		72		
145032	SPS 3448 (base)	47⅞ (vc)	46	tile height	391C series / 791C/ 1350*	350 / 350D / HGS*
105061	4236 rectangular base w/walls	38¾ (vc)	n/a	72	391C series / 791C	
105053	32DT square base w/walls	29⅞ x 29⅞	n/a	72	392C / 792C / 392C6	
105054	Square base 36DT w/walls	33¼ x 33¼	n/a	72	392C / 792C / 392C6	
105042	36" neo base + walls	15½ x 24¾ x 15½	n/a	72	394C / 794C / 394C6 / (694–15½)	
105043	38" neo base + walls	17½ x 24¾ x 17½	n/a	72	394C / 794C / 394C6	
105044	40" neo base + walls	20⅜ x 24½ x 20⅜	n/a	72	394C / 794C / 394C6	
105045	42" neo base + walls	20¾ x 26 x 20¾	n/a	72	394C / 794C / 394C6	
420000-501	B3Square 3636 (base)	35⅞ (vc)	n/a	tile height	391C series / 791C/ PL91	
410000-501	B3Round 3636 (base)	35⅞ (vc)	n/a	tile height	391C series / 791C / PL91	
420001-501	B3Square 4832 (base)	47⅞ (vc)	48	tile height	391C series / 791C / PL91	350 / 350D / HGS*
410001-501	B3Round 4832 (base)	47⅞ (vc)	48	tile height	391C series / 791C / PL91	350 / 350D / HGS*
420002-501	B3Square 4834 (base)	47⅞ (vc)	48	tile height	391C series / 791C / PL91	350 / 350D / HGS*
420003-501	B3Square 4836 (base)	47⅞ (vc)	48	tile height	391C series / 791C / PL91	350 / 350D / HGS*
410003-501	B3Round 4836 (base)	47⅞ (vc)	48	tile height	391C series / 791C / PL91	350 / 350D / HGS*
420004-501	B3Square 6030 (base)	59⅞ (vc)	60	tile height	391C series / 791C / PL91	350 / 350D / HGS*
410004-501	B3Round 6030 (base)	59⅞ (vc)	60	tile height	391C series / 791C / PL91	350 / 350D / HGS*
420005-501	B3Square 6032 (base)	59⅞ (vc)	60	tile height	391C series / 791C / PL91	350 / 350D / HGS*
410005-501	B3Round 6032 (base)	59⅞ (vc)	60	tile height	391C series / 791C / PL91	350 / 350D / HGS*
420006-501	B3Square 6036 (base)	59⅞ (vc)	60	tile height	391C series / 791C / PL91	350 / 350D / HGS*
410006-501	B3Round 6036 (base)	59⅞ (vc)	60	tile height	391C series / 791C / PL91	350 / 350D / HGS*
102994-S	Freestyle 37 neo angle (2pc)	16 1/4 x 25 x 16 1/4 - (vc)	n/a	72	394C / 794C / 394C6	
102997	Freestyle 40 neo angle (1pc)	19¾ x 23½ x 19¾	n/a	72	394C / 794C / 394C6	
105101	Freestyle 42 neo angle (1pc)	(vc)	n/a	tile height	394C / 794C / 394C6	
105101-S	Freestyle 42 neo angle (2pc)	(vc)	n/a	tile height	394C / 794C / 394C6	

MIROLIN

model		hinged opening	slider opening	max height	common door options: hinged	slider
EB4242	Ellis 42" (base)	42 (vc)	n/a	tile height	391C series / 791C / PL91	
EB4836	Ellis 48" (base)	48 (vc)	48	tile height	391C series / 791C / PL91	350 / 350D / HGS*
EB6032	Ellis 60" (base)	60 (vc)	60	tile height	391C series / 791C / PL91/	350 / 350D / HGS*
EB6036	Ellis 60" (base)	60 (vc)	60	tile height	391C series / 791C / PL91	350 / 350D / HGS*
(max height with EB wall set is 74" and won't support heavy glass)						
SH4/43	Madison 4	n/a (large corner radii)	43 - Actual size	70		350 / 350D
SH5/53	Madison 5	n/a (large corner radii)	54	70		350 / 350D
MEL3	Melrose 3	31	n/a	76	300C / 300CV / 700C / 300C6	
MEL4	Melrose 4	42 ³ / ₄	43	76	391C series / 791C	350 / 350D
MEL5	Melrose 5	55 1/4	56	76	391C series / 791C	350 / 350D
SC38NA	Sorrento 38 neo	17 1/2 x 25 x 17 1/2	n/a	73	394C / 794C / 394C6	
SC42NA	Sorrento 42 neo	20 1/2 x 25 x 20 1/2	n/a	73	394C / 794C / 394C6	
WES5	Weston 5	55 1/4	56	73	391C series / 791C	350 / 350D
KD53	Empire	n/a	54	57		340 / 340D
BA5 L/R	Belaire	n/a	56	58		340 / 340D
PT520/523	Parker 20	n/a	54	57		340/ 3 40D
PT516/513	Parker 16	n/a	54	57		340 / 340D
TS5	Liberty	n/a	54	57		340 / 340D
SB3632/34	Strada 36 x 32/34 (base)	36 (vc)	n/a	tile height	391C series / 791C / PL91	
SB3636A	Strada 36 x 36" (base)	36 (vc)	n/a	tile height	391C series / 791C / PL91	
SB3636D	Strada 36 x 36" DT (base)	36 (vc) x 36 (vc)	n/a	tile height	392C / 792C / 392C6 / PL93	
SB4236	Strada 42 x 36 (base)	42 (vc)	n/a	tile height	391C series / 791C / PL91	
SB4242A	Strada 42 x 42 (base)	42 (vc)	n/a	tile height	391C series / 791C / PL91	
SB4242D	Strada 42 x 42 DT (base)	42 (vc) x 42 (vc)	n/a	tile height	393C / 793C / 393C6 / PL93	
SB4836A	Strada 48 x 36 (base)	48 (vc)	48	tile height	391C series / 791C / PL91	350 / 350D / HGS*
SB4836D	Strada 48 x 36 DT (base)	48 (vc) x 48 (vc)	48 x 48 (vc return)	tile height	393C / 793C / 393C6 / PL93	350 / 350D / HGS*/w/return
SB6030A/32A	Strada 60 x 30/32 (base)	60 (vc)	60	tile height	391C series / 791C / PL91	350 / 350D / HGS*
SB6030A/32E	Strada 60 x 30/32 DT (base)	60 (vc) x 30 (vc)	60 x 32 (vc return)	tile height	393C / 793C / 393C6 / PL93	350 / 350D / HGS*/w/return
TA6032	Tucson 1	n/a	60	tile height	1340*	340 / 340D / HGS*

VENCO

model	hinged opening	slider opening	max height	common door options: hinged	slider
3032 1pc	24		67	300C / 700C / 300C6 / 300CV	
3232FW	30	n/a	71	300C / 700C / 300C6 / 300CV	
3232FW split	30	n/a	71	300C / 700C / 300C6 / 300CV	
3630	31 ³ / ₈	n/a	72		
3636DT (stall w/ walls)	32 x 32	n/a	72	392C / 792C / 392C6	
3636FW	33 ³ / ₄	n/a	72	300C / 700C / 300C6 / 300CV	
3636FW split	33 ³ / ₄	n/a	71	300C / 700C / 300C6 / 300CV	
3636 neo 1pc	16 ¹ / ₂ x 23 ³ / ₄ x 16 ¹ / ₂	n/a	70	394C / 794C / 394C6 / (694 — 16FW)	
3636 neo 2pc (split)	16 x 24 ³ / ₄ x 16	n/a	72	394C / 794C / 394C6 / (694 – 15 ¹ / ₂)	
36 neo (base)	16 ³ / ₄ x 24 ³ / ₄ x 16 ³ / ₄	n/a	tile height	394C / 794C / 394C6 / (694 – 16 ³ / ₈)	
4234	38 ³ / ₄	n/a	67	391C series / 791C	
3838N	16 ³ / ₄ x 24 ³ / ₄ x 16 ³ / ₄	n/a	72	394C / 794C / 394C6 / (694 – 16 ³ / ₈)	
4836 FW	46	46	70	391C series / 791C	350 / 350D
6030 ED split L/R	57 ¹ / ₄	58	68 ¹ / ₄	391C series / 791C	350 / 350D cut down
6034 ED L/R	57 ¹ / ₂	58	71	391C series / 791 C	350 / 350D
6030 TW split L/R	n/a	54	53 ¹ / ₂		340 / 340D
6034 TW split	n/a	54	55		340 / 340D
6036DS	55 ¹ / ₂	56	72	391C series / 791C	340 / 340D
NV 4836 L/R	42 ¹ / ₂	43	70	391C series / 791C	350 / 350D
NV 6031 TW L/R	n/a	54	51		340 / 340D
NV 6034 TW SW L/R	n/a	54	51		340 / 340D
NV 6034 TW L/R	n/a	54	56		340 / 340D
AVB 32 (base)	30 (vc)	n/a	tile height	300C / 700C / 300C6 / 300CV	
AVB 36 (base)	34 (vc)	n/a	tile height	300C / 700C / 300C6 / 300CV	
AVB 48 (base)	48 (vc)	48	tile height	391C series / 791C / PL91	350 / 350D / HGS*
AVB 60 (base)	60 (vc)	60	tile height	391C series / 791C / PL91	350 / 350D / HGS*
AVB 32DT (base)	30 x 30	n/a	tile height	392C / 792C / 392C6	
AVB 48DT (base)	44 ¹ / ₂ x 32 ¹ / ₄	n/a	tile height	392C / 792C / 392C6 / PL93	
AVB 32 (base)	30 (vc)	n/a	tile height	300C / 700C / 300C6 / 300CV	
AVB 36N (base)	16 ³ / ₄ x 24 ³ / ₄ x 16 ³ / ₄	n/a	tile height	394C / 794C / 394C6 / (694 – 16 ³ / ₈)	
AVB 42N (base)	21 ³ / ₄ x 24 ¹ / ₂ x 21 ³ / ₄	n/a	tile height	394C / 794C / 394C6	
6634 TW		60	53"		340 / 340D

VENCO continued

model	hinged opening	slider opening	max height	common door options: hinged	slider
AVB3630LT	35 ⁷ / ₈ (vc)	n/a	tile height	391C series / 791C / PL91	
AVB4832LT	47 ⁷ / ₈ (vc)	48	tile height	391C series / 791C / PL91	350 / 350D / HGS*
AVB4834LT	47 ⁷ / ₈ (vc)	48	tile height	391C series / 791C / PL91	350 / 350D / HGS*
AVB4836LT	47 ³ / ₄ (vc)	48	tile height	391C series / 791C / PL91	350 / 350D / HGS*
AVB6030LT	59 ⁵ / ₈ (vc)	60	tile height	391C series / 791C / PL91	350 / 350D / HGS*
AVB6032LT	59 ⁵ / ₈ (vc)	60	tile height	391C series / 791C / PL91	350 / 350D / HGS*
AVB6034LT	59 ⁵ / ₈ (vc)	60	tile height	391C series / 791C / PL91	350 / 350D / HGS*
AVB6036LT	59 ⁵ / ₈ (vc)	60	tile height	391C series / 791C / PL91	350 / 350D / HGS*
AVB4242DT	42 x 42 (vc)	n/a	tile height	392C / 792/C / 392C6 / PL93	
AVB48DT L/R	47 x 35 ¹ / ₄ (vc)	48 x 35 ¹ / ₄ (vc)	tile height	392C / 792C / 392C6 / PL93	350 / 350D / HGS*/with return
AVB6032ED L/R	59.75 (vc)	60	tile height	391C series / 791C / PL91	350 / 350D / HGS*
Galaxy 9642	33 ¹ / ₄ x 32 ¹ / ₄ w/buttress	n/a	tile height	392C / 792C / 392C6 / PL93	
Zenith 9636	33 ¹ / ₄ x 32 ¹ / ₄ w/buttress	n/a	tile height	392C / 792C / 392C6 / PL93	

terms + policies

Upon receipt of PO, any cancellation is subject to mutual agreement and charges may apply.

Payment: All orders COD unless credit terms agreed prior and payment will be net 30 from date of invoice.

Shipping: FOB **shodor** Delta, BC or Agent's warehouse, unless otherwise specified. Prepaid direct shipping is available for orders exceeding 1000lbs and in some other exceptional cases.

Warranty: All our products have a 3 Year Limited Warranty. It applies only to original owner and against defects and workmanship by **shodor**. **shodor** is not responsible for any additional labour charges. None of the glass used by **shodor** is warranted against breakage. In rare cases tempered glass can spontaneously break months or years after installation. This can be due to inclusions in the glass or damages (scratches, chips, gouges, etc) that occur after glass is supplied. Customers accept that tempered glass can break and will not hold **shodor** or **shodor's** suppliers responsible for any costs, damages, injuries or repair/replacement labour.

Return Policy: Upon approval by **shodor**, a minimum 25% restocking fee will apply to returned unopened standard doors. Up to 50% restocking fee may apply for non-stock doors and all opened or repackaged product. Previously installed doors will not be accepted. Custom doors and any product over 6 months old will not be eligible for credit under any circumstances. A completed **shodor** Returned Goods Agreement Form (RGA) must be provided and returned product inspected by **shodor** before any credit will be issued.

There is a minimum charge of \$25 for any order.

For projects or larger quantities please request a quote for a volume order.

Prices indicated are LIST and do not include any applicable taxes.

All prices subject to change.

Products may not be exactly as shown and may change without notice.

Specified door openings are for guidance only and can vary depending on fabrication and assembly.

Quotes are valid for 45 days unless otherwise specified.

Lead times can vary by product and geographical location.

limitations

Shower enclosures are not leak-proof and do not seal completely. They are designed to direct water to the interior of the tub or shower under normal conditions. Excessive water pressure or directing the shower head directly at the door can result in leaks.

All enclosures are intended to be installed by qualified professionals with understanding of relevant material properties and site conditions.

shodor is not responsible for site conditions, including but not limited to, uneven floors; walls being out of square or plumb; improperly supported headers or other structural element or substrate material; inferior manufacturing or fabrication of any building material or product used in conjunction with **shodor's** products.

After installation do not use enclosure for 24 hours to allow silicone to cure.

Do not use towel bars or handles to support your weight. Towel bars and handles are not intended to be used as grab bars for mobility assistance.

There are no warranties on tempered glass.

Doors may settle over time and require adjustment.

Vinyls may need periodic replacement.

When tempered glass steams up phantom outlines may appear.

When out of square conditions are present it is recommended to choose enclosures that can be adjusted or can be fabricated to fit the geometry. Tapered fillers may be required.

Tile breakage can occur when installing hinges and hardware.

Avoid direct contact between tempered glass and hard surfaces. Setting blocks should be used.

Do not use excessive force when opening and closing doors. This could lead to glass breakage or other damage.

Periodically check tightness of fasteners, particularly in high use installations.

cleaning

For daily cleaning the simplest and preferred method is to wash the unit with clean water and dry with a soft cloth. If soil is still present after drying a non-abrasive neutral liquid soap (pH of 7 to 8) diluted with water and applied with soft sponges may be used. Do not use scouring pads, sharp instruments, or acid-based cleansers to clean the unit.

Always follow the manufacturers instructions on the labels of household cleaning products. To protect the finish of your enclosure you should only use products recommended for glass, anodized aluminum surfaces, stainless steel or plated brass by the manufacturer of the cleaning product. If in doubt contact the manufacturer of the cleaning product. Use of harsh cleansers or detergents not specifically intended for these materials may damage your unit.

In environments with hard water, limescale can form over time. A solution of 15-20% vinegar diluted with hot water and soft cloth or sponge can be used and followed by normal washing.

Never use detergents containing abrasive particles, pure or diluted muriatic acid, bleach (sodium hypochlorite), household acids, caustic soda, steel wool, scouring pads or scotch-brite.



10mm custom heavy glass enclosure with low iron, ultra clear starphire glass