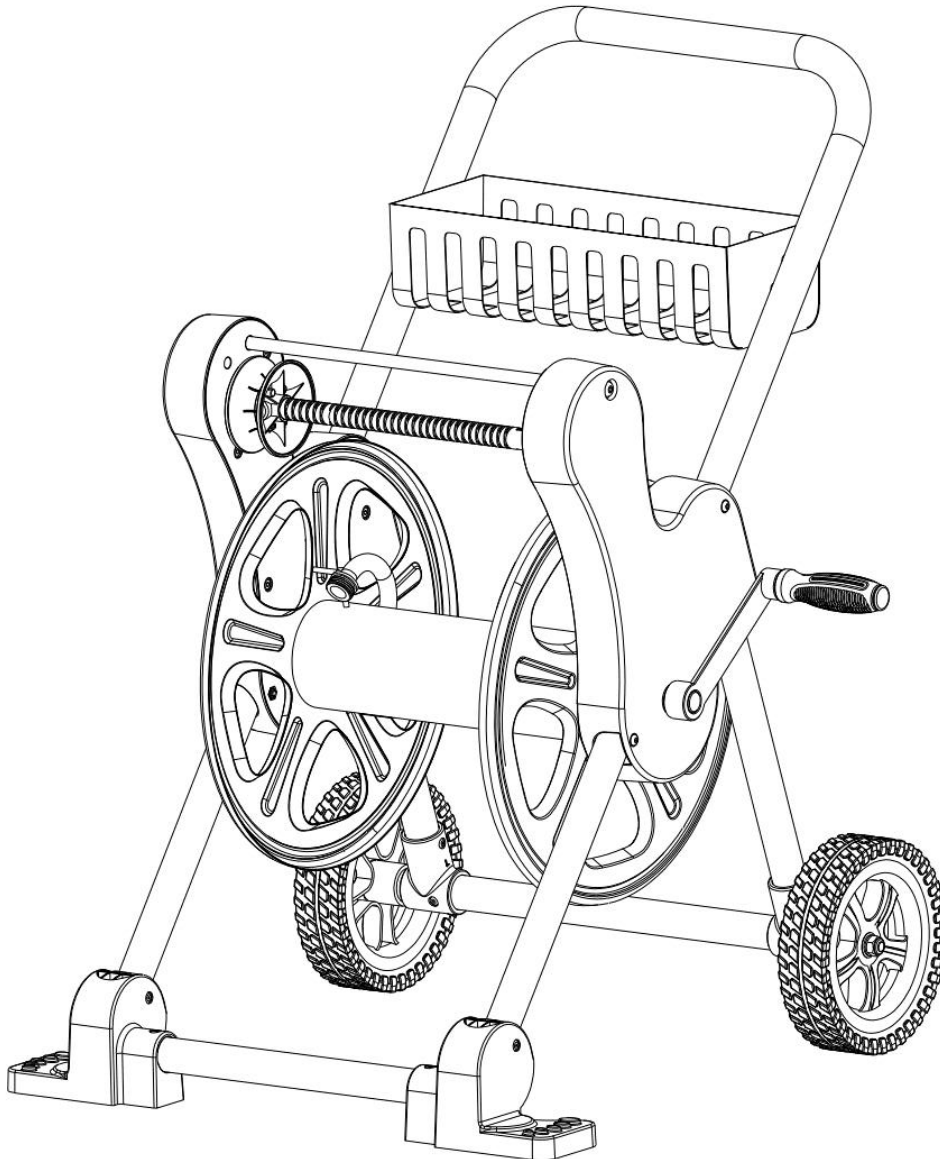


Aluminum Hose Cart

User Manual



IMPORTANT, RETAIN FOR FUTURE REFERENCE: READ CAREFULLY



WARNING

- The Hose Cart is designed for home watering applications using cold water only. It is not intended for commercial applications.
- The Hose Cart is not intended for use as a portable water source. The hose is not for drinking water use.



CAUTION

- When you are finished using your hose reel, turn off the water source.
- Release pressure when not in use.
- Do not over tighten the connectors as this may cause damage.
- Be sure to attach garden hose to the hose connectors correctly. Cross-threading could cause permanent damage.

MAINTENANCE

- It is recommended to store hose cart indoors during winter months. Freezing temperatures could damage the hose and watering accessories. If hose reel must be left in freezing conditions, disconnect the hose from faucet and drain all water out of hose and reel.
- To help delay rust, it is recommended to inspect the hose cart periodically for any surface damage and paint with clear acrylic paint after cleaning.

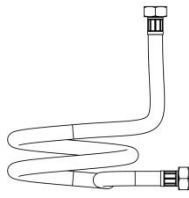
For assistance with installation, parts and customer service, email info@sunneday.com (US, English only) Monday – Friday 8:00am-6:00pm (Central Time)

Or visit our website at www.sunneday.com

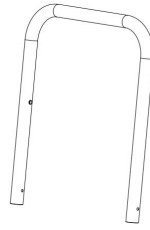
PARTS INCLUDED



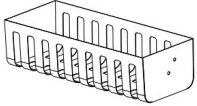
A. Crank handle



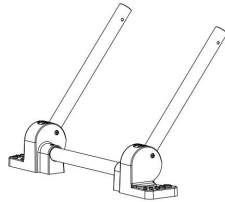
B. Leader hose



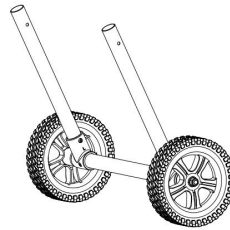
C. Handle assembly



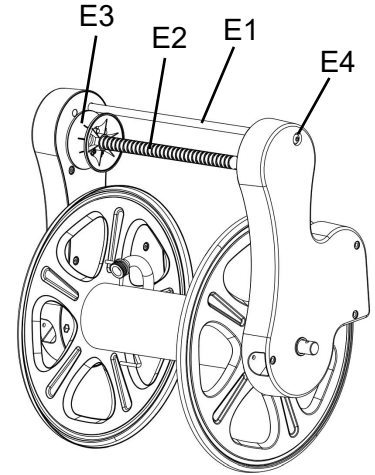
D. Metal tool basket



F. Feet support assembly



G. Wheel support assembly



E. Reel assembly

Hose guide device
Including:
E1. Metal limit rod
E2. Screw rod
E3. Pulley
E4. M8 bolts

HARDWARE INCLUDED



Aa. Bolt x4



Bb. Round head hexagon
socket bolt x6



Cc. Locknut x6

Tools Required:



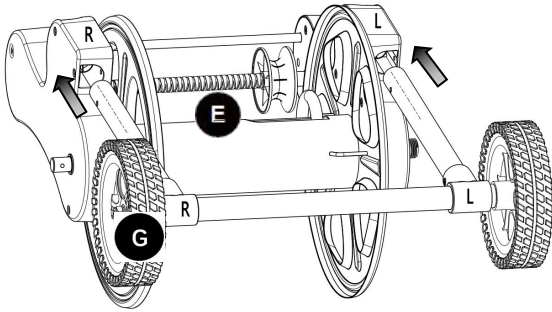
Wrench (Supplied)



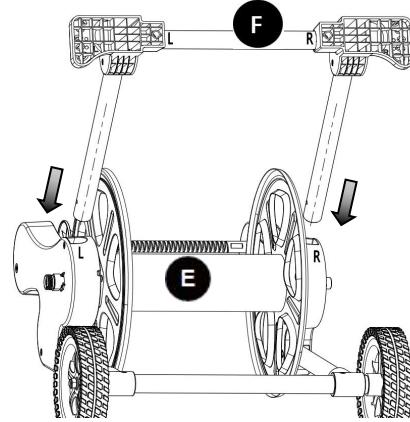
Adjustable Wrench

INSTALLATION

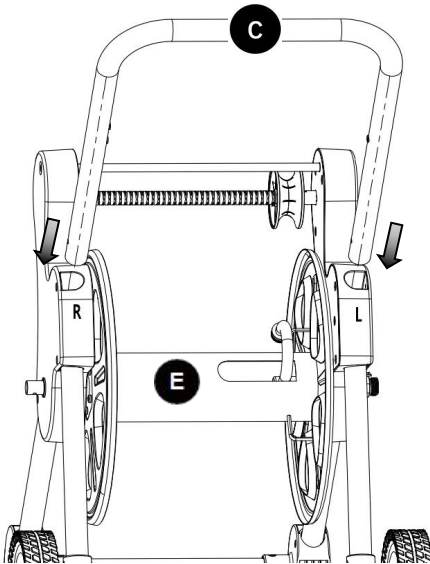
1. Insert the aluminum tubes of wheel support assembly (G) into the slots of reel assembly (E), make sure they are inserted to the bottom of the slots. Pay attention to the right and left directions.



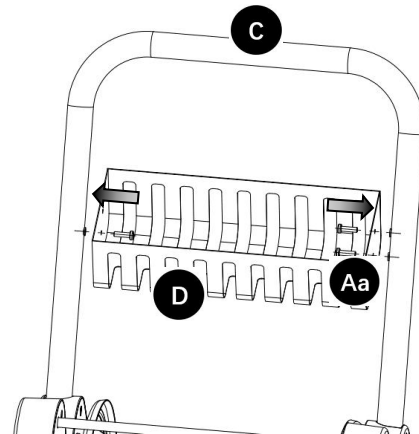
2. Insert the aluminum tubes of feet support assembly (F) into the slots of reel assembly (E), make sure they are inserted to the bottom of the slots. Pay attention to the right and left directions.



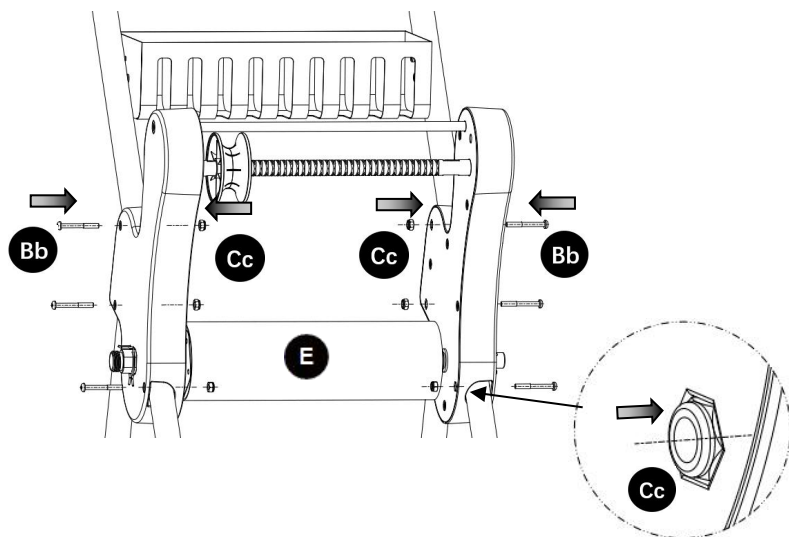
3. Insert the aluminum tubes of the handle assembly (C) into the slots of reel assembly (E), make sure they are inserted to the bottom of the slots.



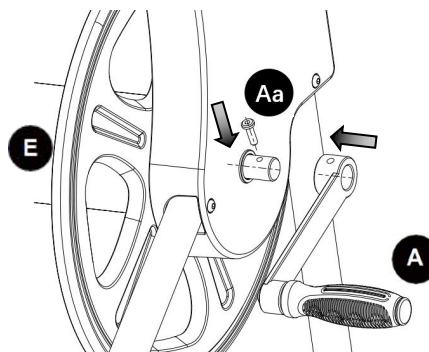
4. Install the metal tool basket (D) on the handle assembly (C), align the holes to keep the tool basket horizontal, screw the 3 bolts (Aa) to fix.



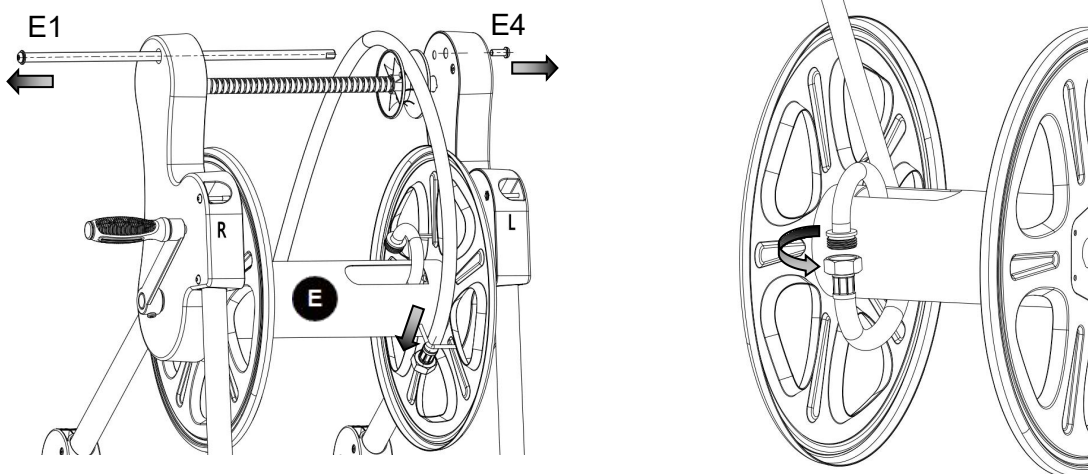
5. Put the locknuts (Cc) into countersunk holes of the hexagon nuts on the reel assembly (E). Pass the round head hexagon bolts (Bb) through the holes on the aluminum tube and the reel assembly (E), screw them into the locknuts (Cc). Tighten all 6 bolts.



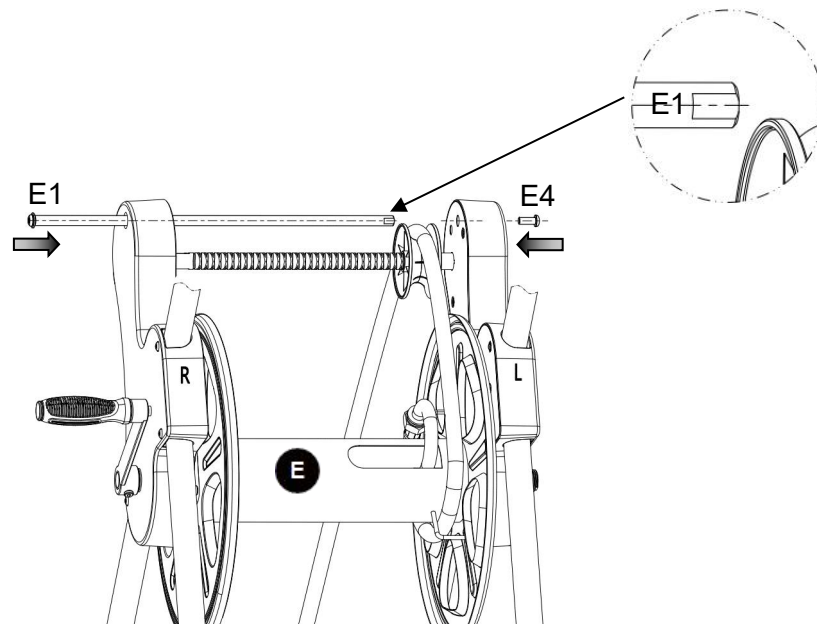
6. Align the holes in the crank handle (A) with the crank handle shaft on the reel assembly (E). Insert 1 bolt (Aa) into the crank handle and tighten with supplied wrench.



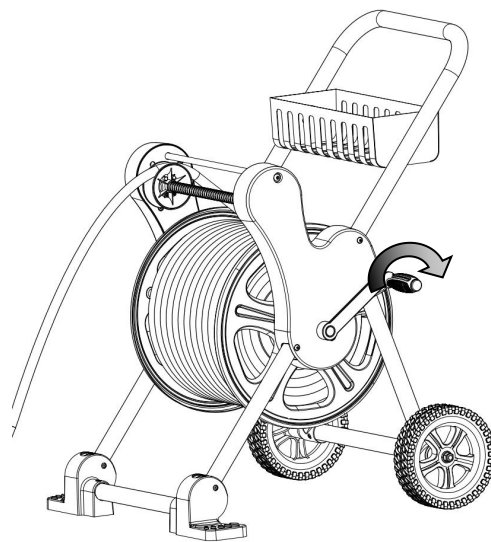
7. Remove the M8 bolts (E4) on both sides with supplied wrench. Remove the metal limit rod (E1) from the reel assembly (E). Roll the pulley to the far left of the plastic screw rod. Load the garden hose into the pulley groove of the hose guide device. Pass the garden hose through the square retainer ring and screw it to the hose connector on the reel.



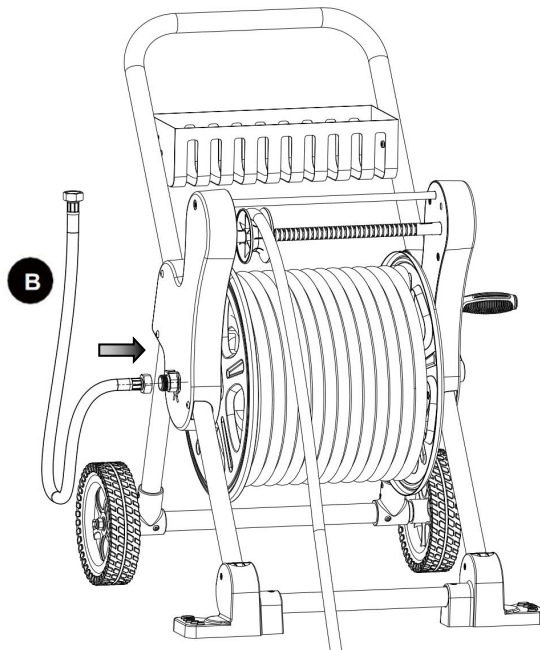
8. Insert the metal limit rod (E1) into the holes on the reel assembly (E) in the following direction. Keep the cut on the right end of metal limit rod in vertical to ensure that it is installed to the bottom. Fasten the metal limit rod (E1) to reel assembly (E) with 2 M8 bolts (E4) on both sides.



9. Turn the crank handle clockwise to rewind the hose.



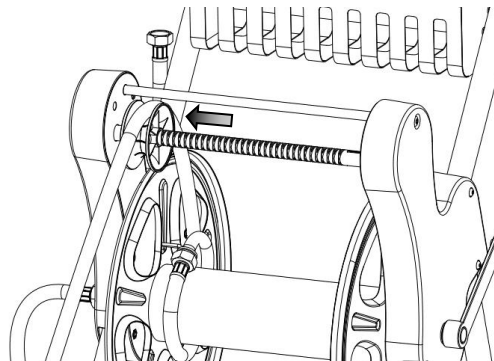
10. Attach one end of leader hose to inlet connector on the hose cart. Attach the other end of leader hose to water source.



TROUBLE SHOOTING GUIDE

Problem: Hose kinks and tangles

Solution: Pull the garden hose out from your hose cart completely and roll the pulley to the far left of screw rod. Rewind the hose again.



Problem: Water leakage at the connectors

Solution: Tighten all water connections with Adjustable Wrench correctly. Cross-Threading could cause permanent damage. Check the rubber gasket washers to make sure they are properly seated. Replace washers if damaged.

