

XW-30BG RETRACTABLE HOSE REEL

Instructions

IMPORTANT, RETAIN FOR FUTURE REFERENCE: READ CAREFULLY

This item is intended for outdoor domestic use only, not for commercial use.

CAUTION

- The Auto Wind Hose Reel is designed for home watering applications using cold water only. It is not intended for commercial applications.
- Before use, ensure the reel is securely attached to the wall and free of obstructions.
- Do not place undue force on the reel casing. Doing so may damage the casing or the bracket.
- Children should not be allowed to operate or play with the Auto Wind Hose Reel. Ensure children are clear of the hose and casing when unwinding.
- Always walk the hose back to the reel when rewinding.
- Always turn the water off at the tap when the Auto Wind Hose Reel is not in use.
- Always check the knob if it is in the right position before you change the hose.
- This product has a short break in period. If the hose does not roll all the way up the first few attempts, please pull all the way back out and let it roll up again. The more it is used the better it will roll up.
- When mounting Hose Reel, please make sure it is secured to a supportive anchor. We recommend a 4 x 4 Post. If mounting to siding or stucco please make sure that it is secured to a 2 x 4 or 2 x 6 behind the wall to support the weight. For Brick & Mortar homes please use masonry bit and wall anchors.

For assistance with installation, parts and customer service, email info@sunneday.com (US, English only) Monday – Friday 8:00am-6:00pm (Central Time) or visit our website at www.sunneday.com

Tools required (not included)



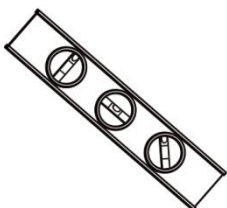
Power Drill



3/8" Masonry Drill Bit



10mm Wrench

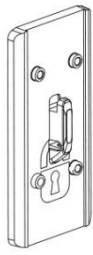


Level



Pencil

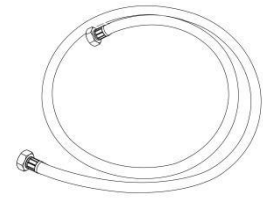
CONTENTS



Wall Mounting Bracket



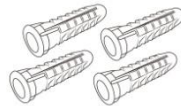
Auto Rewind Hose Reel



Water Inlet Hose

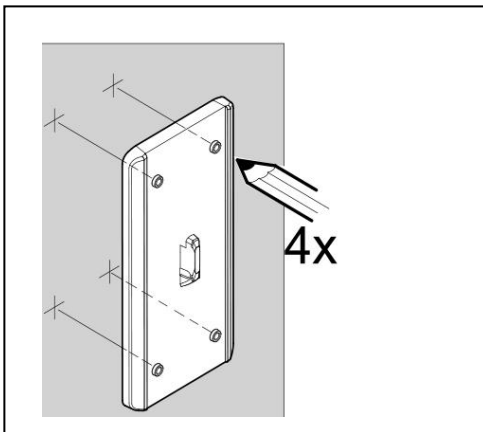


Wall Screws 4x

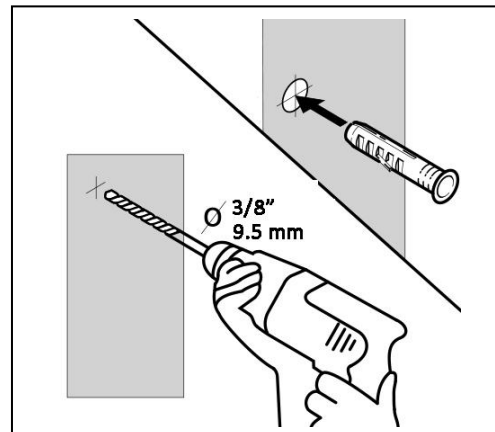


Wall Anchors 4x

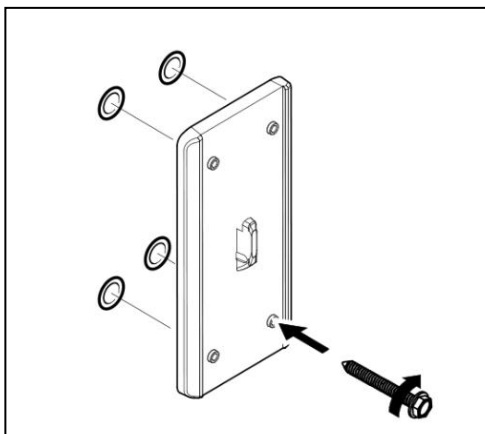
ASSEMBLY INSTRUCTIONS



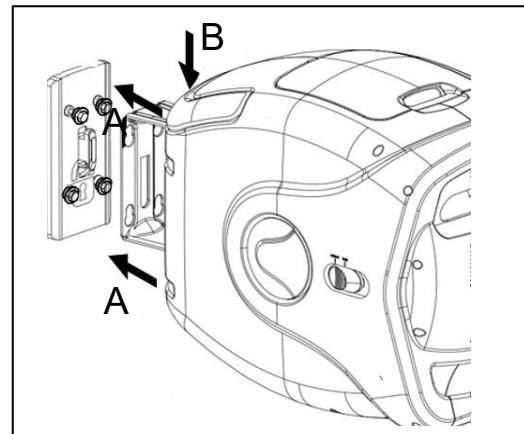
1. Select a suitable position to mount the hose reel. This should be approximately at waist height. Using the wall bracket as a template, mark the location of the four holes.



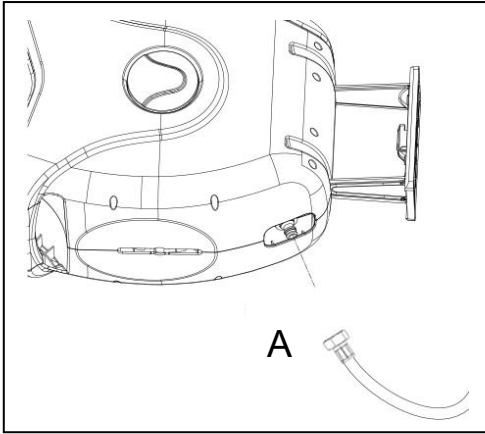
2. Drill the holes with a 3/8" masonry drill bit and insert the wall anchors. If mounting into reinforced wood, no drill bit or wall anchors are needed. Screw directly into reinforced lumber.



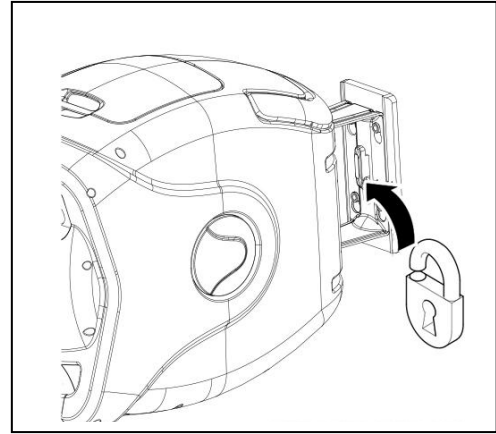
3. Align the wall bracket to the wall and secure into place using wall screws but do not fully tighten.



4. Hang the reel to the wall mounting bracket with the metal bracket through the 4 wall screws. Tighten all the screws so they are snug against plastic wall bracket. Do not overtighten.



5. Using the water inlet hose, connect the tap and the reel. Test to ensure the reel rotates 180° without causing strain on the tap to reel.



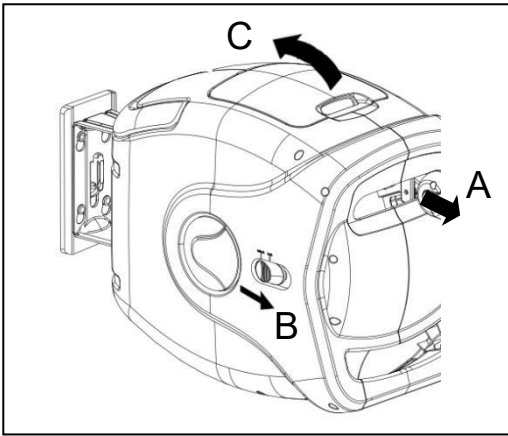
Note: There is a hole located at the center of the wall mounting bracket, this is for using a padlock (Not supplied).

INSTRUCTIONS FOR USE

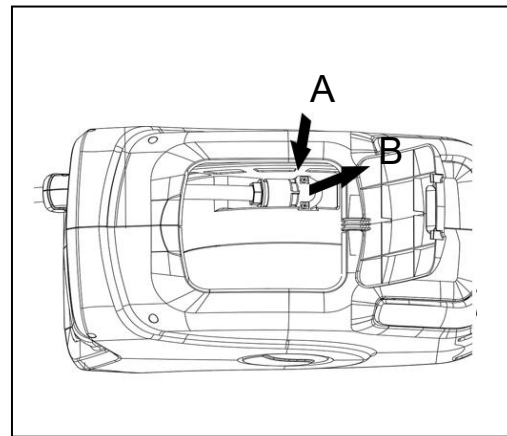
Now that your Auto Wind Hose Reel is securely mounted and connected to the tap, it is ready to use.

1. Before first use, turn the water on at the tap and unwind the hose. The hose will unwind by simply taking hold of the hose and walking away from the reel. This will allow water to flow freely through the hose and reel.
2. The automatic locking ratchet will hold the hose in place at the desired length. The mechanism will “click” as the hose is locked into place.
3. To retract the hose, pull on the hose until you feel the reel release and start to retract the hose. It is recommended that you walk the hose back to the reel.
4. When walking back to the reel, release the water pressure in the hose (through the hand spray or nozzle). This will ensure full and even retraction of the hose.

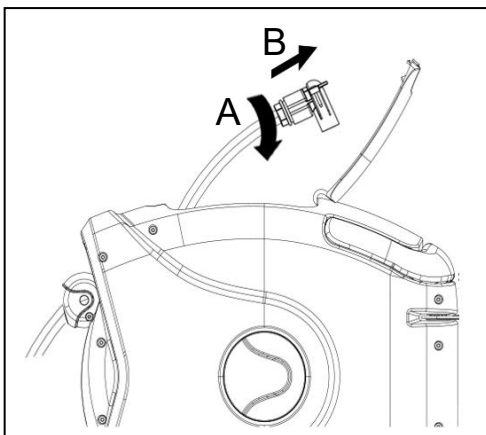
Hose Replacement Procedure



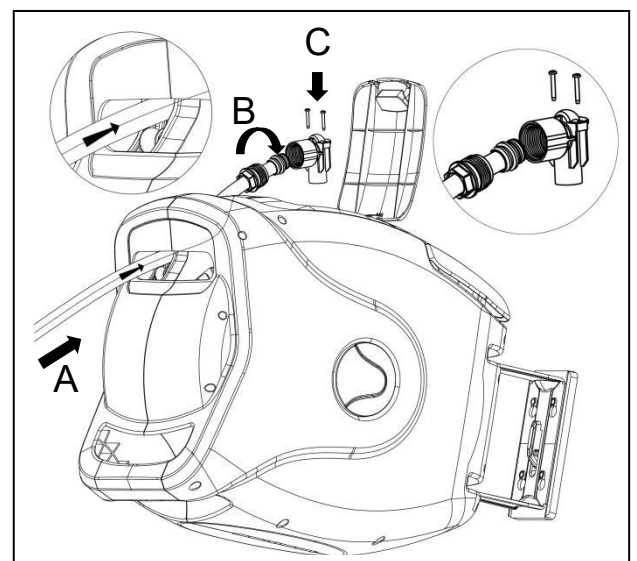
1. Pull out all the hose to the end until it locks in place. Push the knob on the side of hose reel to the lock position. Pull hose again to ensure the drum is locked properly. Open the top cover.



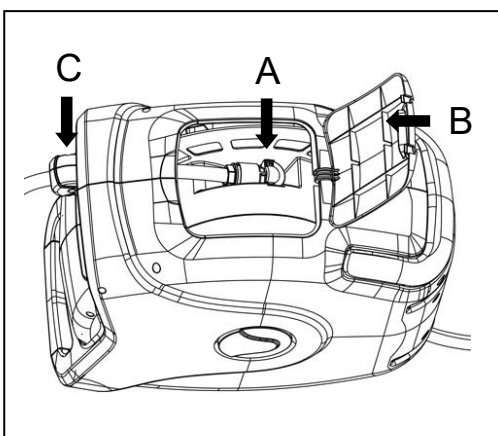
2. Unscrew the two screws before pulling out the connector.



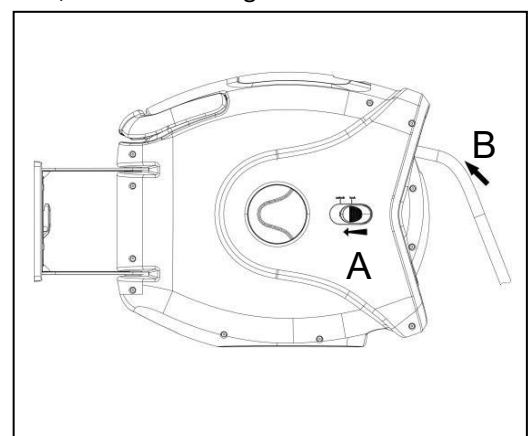
3. Unscrew the hose from the connector before pulling the hose out of the reel.



4. Cut off at "Female" end of hose. Put this new hose end through the hexagonal nut and clamp, then insert into the end of hose sleeve. Push the clamp to the bottom of the hose sleeve, screw the hexagonal nut to the connector.



5. Tighten the two screws to ensure the connector fastened properly. Close the cover. Take off the hose stopper from the old hose and place it on the new hose in the same position.



6. Push the knob back to unlock position. Give slight pull on the hose to get the hose reel to start retracting the hose. Hold the hose slightly until the hose gets retracted completely.