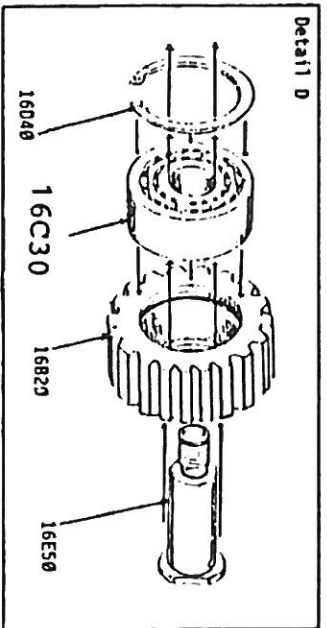
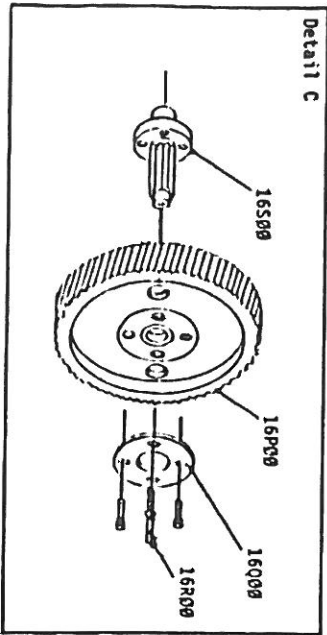
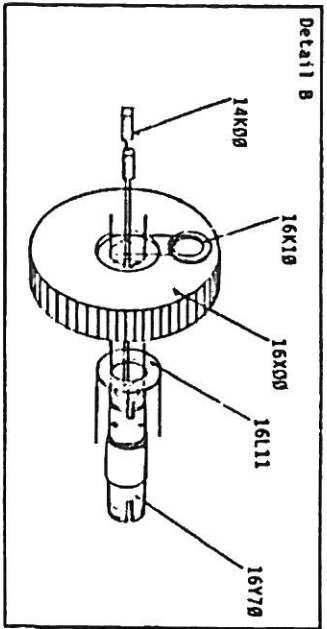
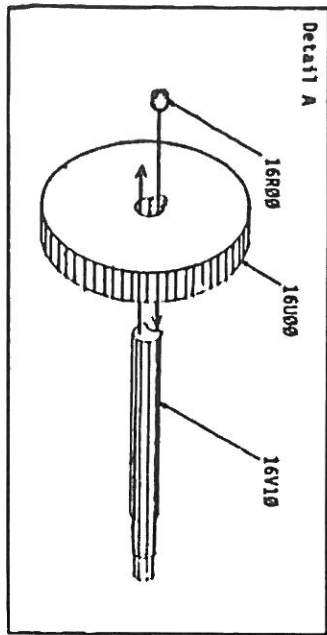
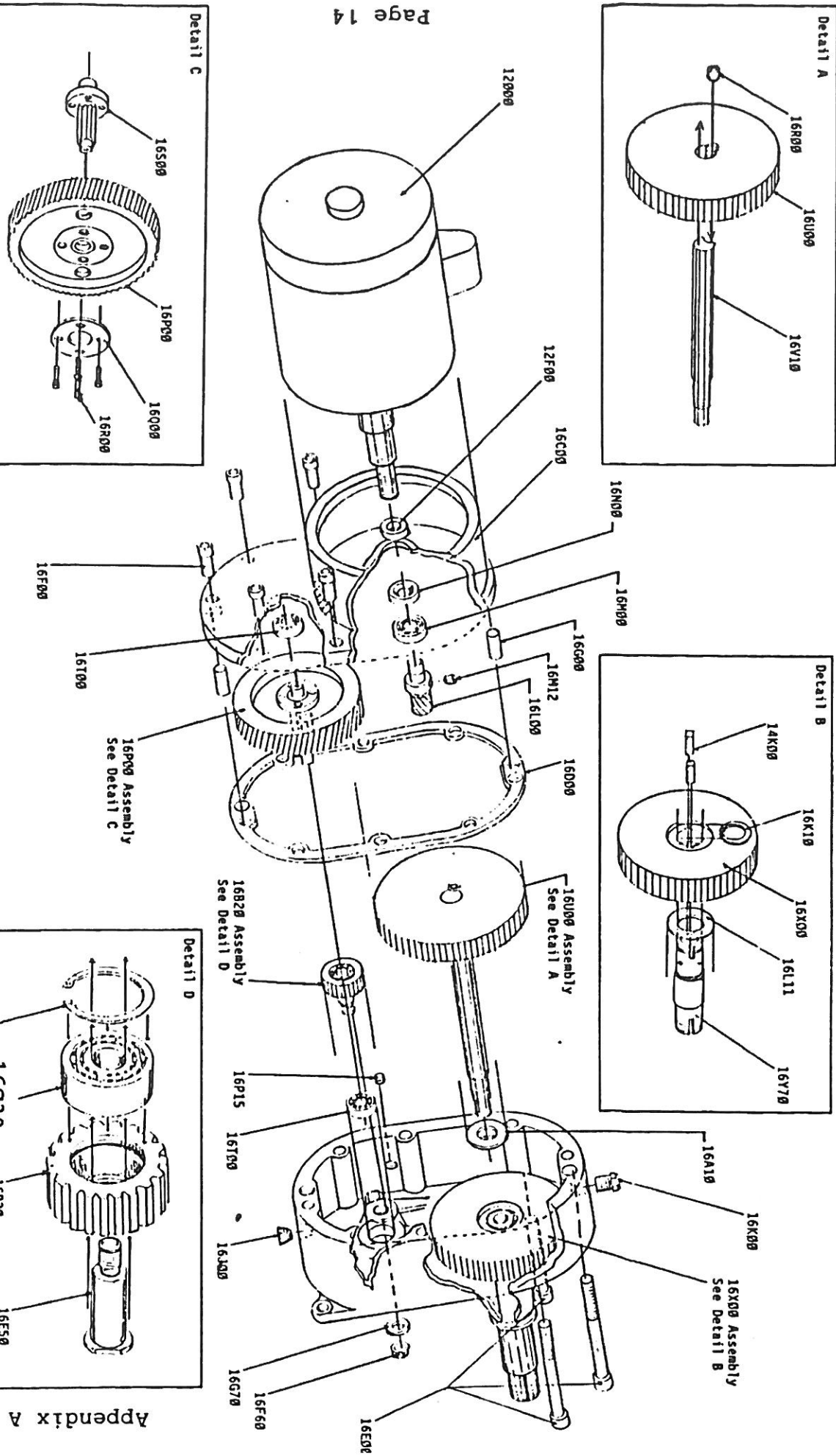
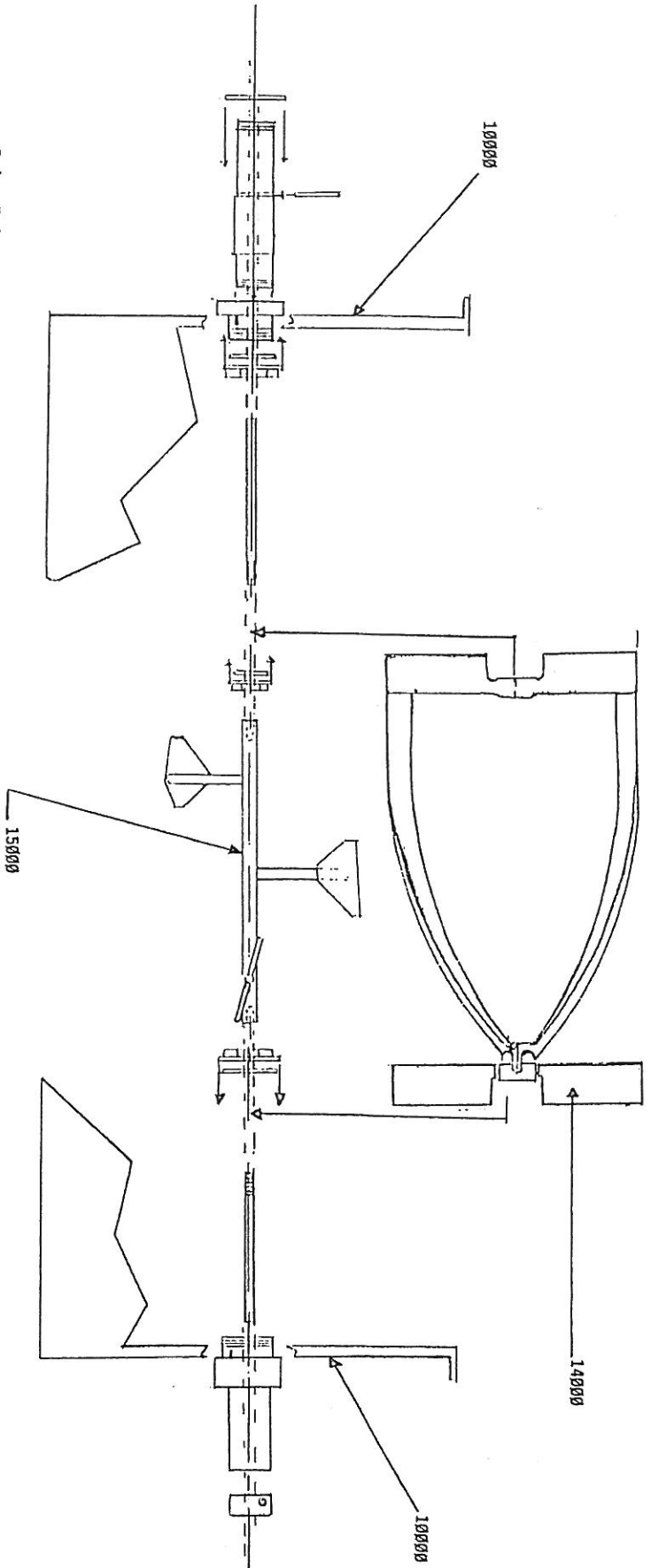


# LELAND SOUTHWEST 100DA70

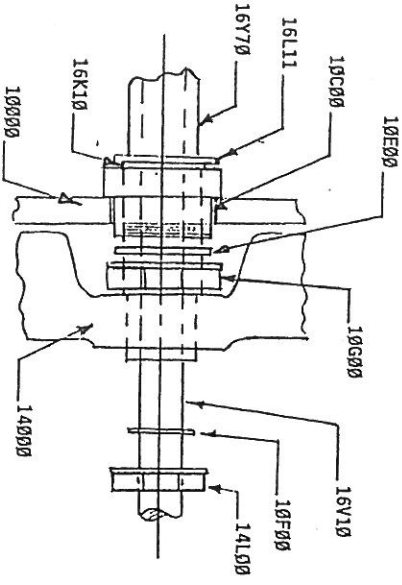


100DATA70 GEAR BOX EXPLOSTION

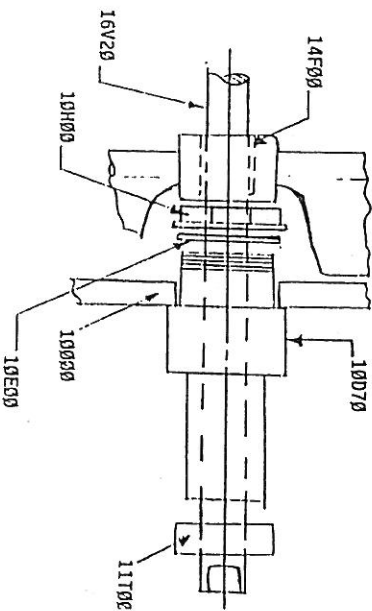




Drive End

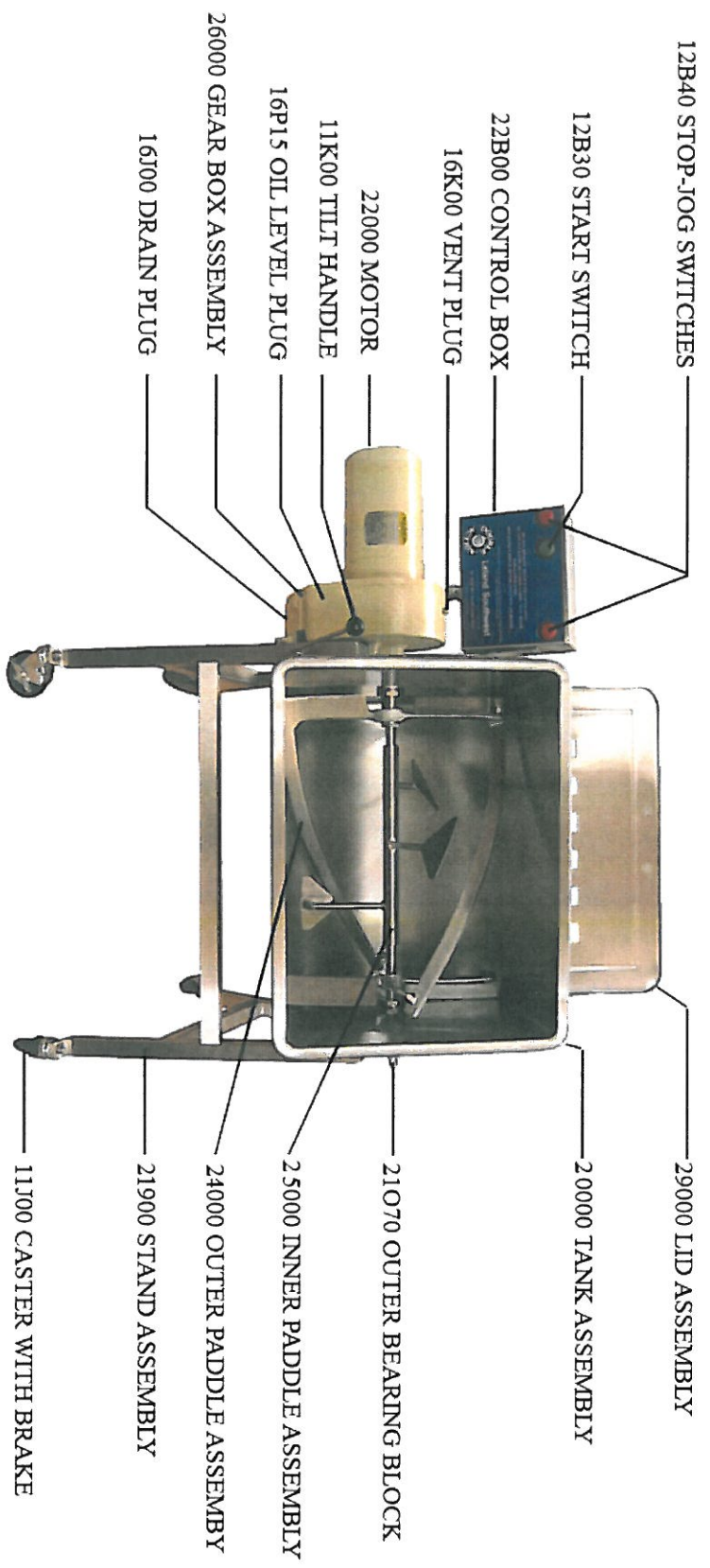


- 100DA70** Instructions for Installing New Gaskets
- 1) Follow instructions under Daily Cleaning, Removing Inner and Outer Paddles, to remove Gasket 10E00 on motor end.
  - 2) Unscrew gland nuts 14L00 and 10G00 with wrench.
  - 3) Slide gland nuts and gaskets 10E00 and 10F00 along shaft as shown at left.
  - 4) Remove gaskets 10E00 and 10F00.
  - 5) Replace with new gaskets.
  - 6) Slide gland nuts back into position and tighten.



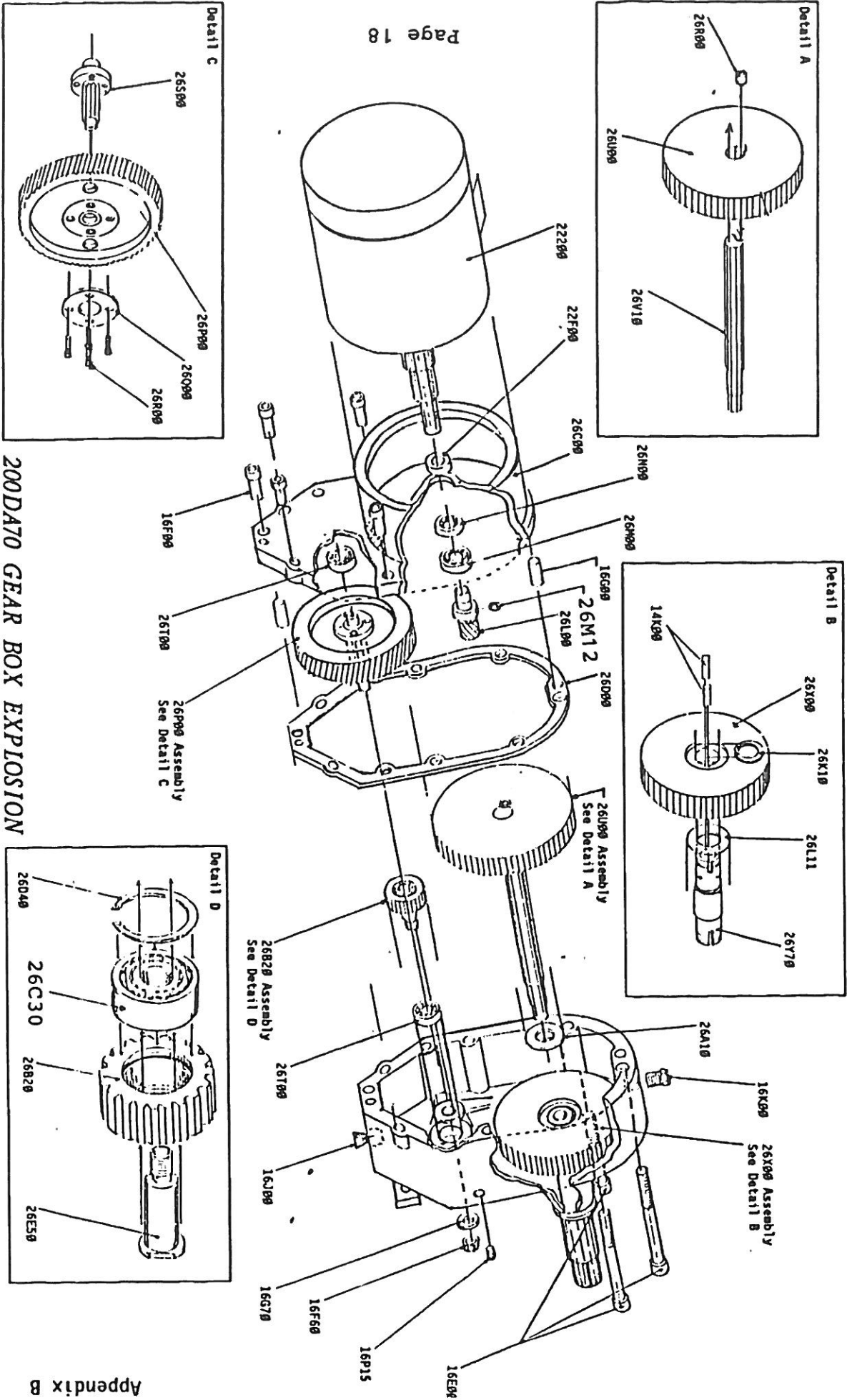
# 100DA70 PARTS

<u>PART #</u>	<u>QTY</u>	<u>PART DESCRIPTION</u>	<u>PART #</u>	<u>QTY</u>	<u>PART DESCRIPTION</u>
<b>TANK:</b>			<b>OUTER PADDLE:</b>		
10000	1	Tank Assembly	14000	1	Outer Paddle Assembly
10C00	1	Tank Bushing DE	14F00	1	Outer Paddle Bushing OE
10D70	1	Tank Bushing OE	14K00	2	Outer Paddle Drive Key
10EF3	1	Tank/Paddle Gasket Kit E/F2	14L00	1	Outer Paddle Gland Nut
10G00	1	Gland Nut DE	<b>INNER PADDLE:</b>		
10H00	1	Gland Nut OE	15000	1	Inner Paddle Assembly
<b>STAND:</b>			16V10	1	Inner Paddle Shaft DE**
11900SS	1	Stand Assembly, Stainless Steel	16V20	1	Inner Paddle Shaft OE
11A00	1	Tilt Handle Locknut	11T00	1	Paddle Shaft Thrust Collar
11J00	2	Casters with Brake	<b>GEARBOX</b>		
11J10	2	Casters w/out Brake	16000	1	Gearbox Assembly w/out Motor
11KLA	1	Tilt Handle Assy K/L/A	16A00	1	Gearbox Housing
11L00	1	Tilt Handle Knob	16A10	1	Gear Spacer Washer
11MKT	1	Tilt Handle Dog Kit M/V/W/X/Y	16B00	2	Gearbox Busing(Requires qty 2)
21070	1	Outer Bearing Block UHMW	16B20	1	Idler Gear
11VW0	1	Tilt Handle Plunger & Spring V/W	16C00	1	Gearbox Cover
19C10	3	Fiber Washer-Small	16D00	1	Gearbox Gasket
19C20	1	Fiber Washer-Large	16D40	1	Idler Gear Bearing Retainer
<b>MOTOR:</b>			16E00	3	Gearbox Screw-Long
12000	1	1/2hp, 1ph, Motor	16E50	1	Idler Gear Stud
12F00	1	Motor Shaft Collar	16F00	5	Gearbox Screw-Short
<b>CONTROL BOX:</b>			16F60	1	Idler Gear Stud Nut
12B00	1	Control Box Assembly, 1ph	16G00	2	Gearbox Dowel Pin
22B00	1	Control Box Assembly, 3ph	16G70	1	Idler Gear Washer
12A20	1	Start Legend	16H80	1	Idler Gear Spacer
12A60	2	Stop-Jog Legend	16J00	1	Gearbox Drain Plug
12B30	1	Start Switch	16K00	1	Gearbox Vent Plug
12B40	2	Stop-job Switch	16K10	1	Stop Sleeve Retainer
12B50	1	Starter, 1ph	16L00	1	Motor Pinion
22B50	1	Starter, 3ph	16L11	1	Stop Sleeve Washer
12B60	1	Micro Switch	16M00	2	Motor Pinion/Idler Gear Bearing
12B65	1	Resistor	16M12	1	Motor Pinion/Inr Pdl Gear Set Screw
12B70	1	Heater	16N00	1	Motor Pinion Oil Seal
12C10	1	Conduit Assembly	16P00	1	Fiber Gear*
12R05	1	Stop Cam	16P15	1	Oil Level Plug
12U00	1	Cam Nut	16Q00	1	Fiber Gear Plate*
12E00	1	Service Cord w/Plug, 115 volt	16R00	4	Fiber Gear Drive Screw*
22E20	1	Service Cord w/Plug, 230 volt	16S00	1	7-Tooth Pinion*
<b>MISCELLANEOUS</b>			16T00	2	7-Tooth Pinion Bearing
Manual	1	Operations Manual	16U00	1	Inner Paddle Gear**
Wrench	1	Wrench for Gland Nuts	16X00	1	Outer Paddle Gear
<b>Minimum O \$25.00</b>			16Y70	1	Outer Paddle Drive Sleeve
Prices subject to change without notice			<b>LID:</b>		
Returned parts subject to 15% restocking fee			19000	1	Tank Lid Assembly
			19A00	1	Lid Arm DE
			19B00	1	Lid Arm OE
			19C00	2	Lid Bolt
			<b>ASSEMBLIES:</b>		
			*16P10	1	Fiber Gear Assembly
			**16UV1	1	Inner Paddle Shaft/Gear Assembly

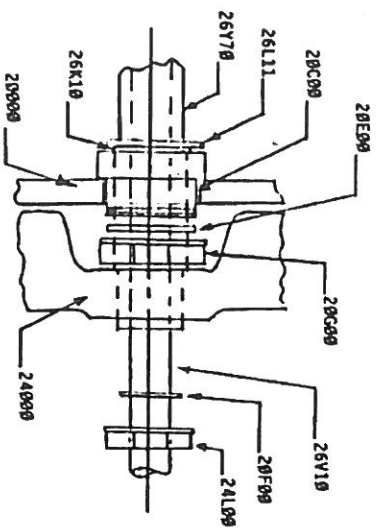
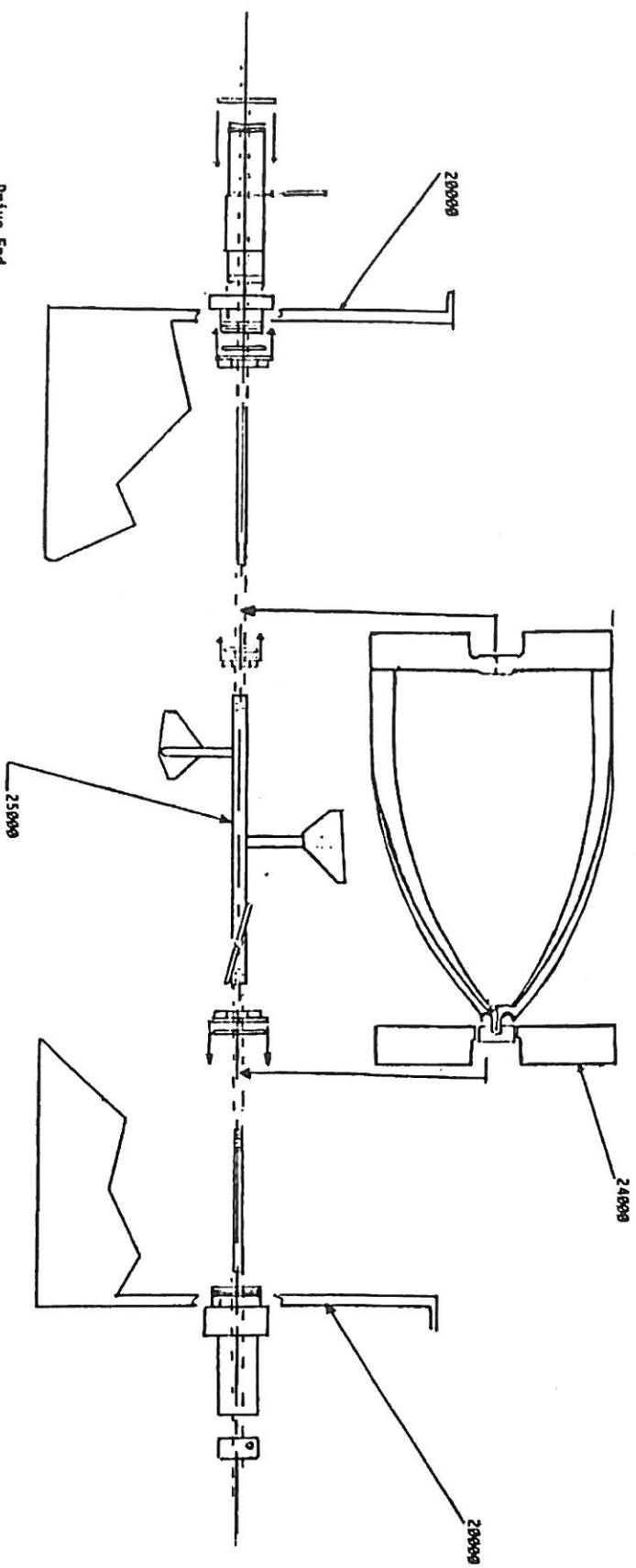


# LELAND SOUTHWEST 200DA70

200DATA70 GEAR BOX EXPLOSION

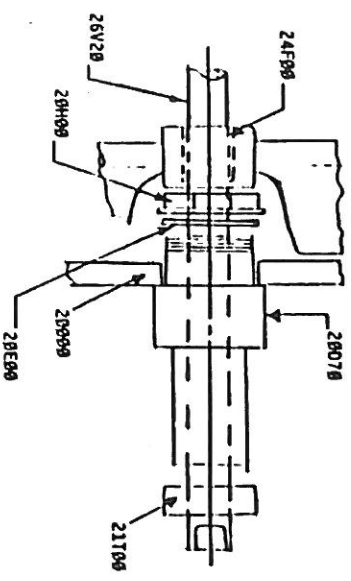


Drive End



- 1) Follow instructions under Daily Cleaning, Removing Inner and Outer Paddles, to remove Gasket 20E08 on motor end.
- 2) Unscrew gland nuts 20H08 and 20G08 with wrench.
- 3) Slide gland nuts and gaskets 20E08 and 20F08 along shaft as shown at left.
- 4) Remove gaskets 20E08 and 20F08.
- 5) Replace with new gaskets.
- 6) Slide gland nuts back into position and tighten.

**200DA70** Instructions for Installing New Gaskets



## 200DA70 /200DA90 PARTS

PART #	QTY	PART DESCRIPTION	PART #	QTY	PART DESCRIPTION
<b>TANK:</b>			<b>OUTER PADDLE:</b>		
20000	1	Tank Assembly	24000	1	Outer Paddle Assembly
20C00	1	Tank Bushing DE	24F00	1	Outer Paddle Bushing OE
20D70	1	Tank Bushing OE	14K00	2	Outer Paddle Drive Key
20EF3	1	Tank & Paddle Gasket Kit E/F2	24L00	1	Outer Paddle Gland Nut
20G00	1	Gland Nut DE	<b>INNER PADDLE:</b>		
20H00	1	Gland Nut OE	25000	1	Inner Paddle Assembly
<b>STAND:</b>			26V10	1	Inner Paddle Shaft DE**
21900ss	1	Stand Assembly Stainless Steel	26V20	1	Inner Paddle Shaft OE
11A00	1	Tilt Handle Locknut	21T00	1	Paddle Shaft Thrust Collar
11J00	2	Casters with Brake	<b>GEARBOX:</b>		
11J10	2	Casters w/out Brake	26000	1	Gearbox Assembly w/out Motor
11KLA	1	Tilt Handle Assy K/L/A	26A00	1	Gearbox Housing
11L00	1	Tilt Handle Knob	26A10	1	Gear Spacer Washer
21MKT	1	Tilt Handle Dog Kit M/V/W/X/Y	26B00	2	Gearbox Bushing(MUST PURCHASE 2)
21070	1	Outer Bearing Block UHMW	26B20	1	Idler Gear
11VW0	1	Tilt Handle Plunger & Spring V/W	26C00	1	Gearbox Cover
19C10	7	Fiber Washer-Small	26C30	1	Idler Gear Bearing
19C20	1	Fiber Washer-Large	26D00	1	Gearbox Gasket
<b>MOTOR:</b>			26D40	1	Idler Gear Bearing Retainer
221KT	1	1hp, 1ph, Motor/Bearing/Gasket/Seal	26E50	1	Idler Gear Stud
222KT	1	1hp, 3ph, Motor/Bearing/Gasket Seal	26F00	10	Gearbox Screw-Short
22F00	1	Motor Shaft Collar	16F60	1	Idler Gear Stud Nut
<b>CONTROL BOX:</b>			16G00	2	Gearbox Dowel Pin
12B00	1	Control Box Assembly, 1ph	16G70	1	Idler Gear Washer
22B00	1	Control Box Assembly, 3ph	16H80	1	Idler Gear Spacer
12A20	1	Start Legend	16J00	1	Gearbox Drain Plug
12A60	2	Stop-Jog Legend	16K00	1	Gearbox Vent Plug
12B30	1	Start Switch	26K10	1	Stop Sleeve Retainer
12B40	2	Stop-job Switch	26L00	1	Motor Pinion
12B50	1	Starter, 1ph	26L11	1	Stop Sleeve Washer
22B50	1	Starter, 3ph	26M00	1	Motor Pinion Bearing
12B60	1	Micro Switch	16M12	1	Drive Gear Set Screw
12B65	1	Resistor	26N00	1	Motor Pinion Oil Seal
12B70	1	Heater/Overload Relay	26P00	1	Fiber Gear*
12C10	1	Conduit Assembly	16P15	1	Oil Level Plug
12R05	1	Stop Cam	26Q00	1	Fiber Gear Plate*
22B90	1	Interlock NC	26R00	4	Fiber Gear Drive Screw*
22G40	1	Timer (for 200da90 only)	26S00	1	9-Tooth Pinion*
<b>Miscellaneous:</b>			26T00	2	9-Tooth Pinion Bearing
Manual	1	Operations Manual	26U00	1	Inner Paddle Gear**
Wrench	1	Wrench for Gland Nuts	26X00	1	Outer Paddle Gear
<b>Minimum Order: \$25.00</b>			26Y70	1	Outer Paddle Drive Sleeve
Prices subject to change without notice			<b>LID:</b>		
Returned parts subject to 15% restocking fee			29000	1	Tank Lid Assembly
			29A00	1	Lid Arm DE
			29B00	1	Lid Arm OE
			19C00	2	Lid Bolt
			<b>ASSEMBLIES:</b>		
			*26P25	1	Fiber Gear Assembly
			**26UV1	1	Inner Paddle Shaft/Gear Assy.