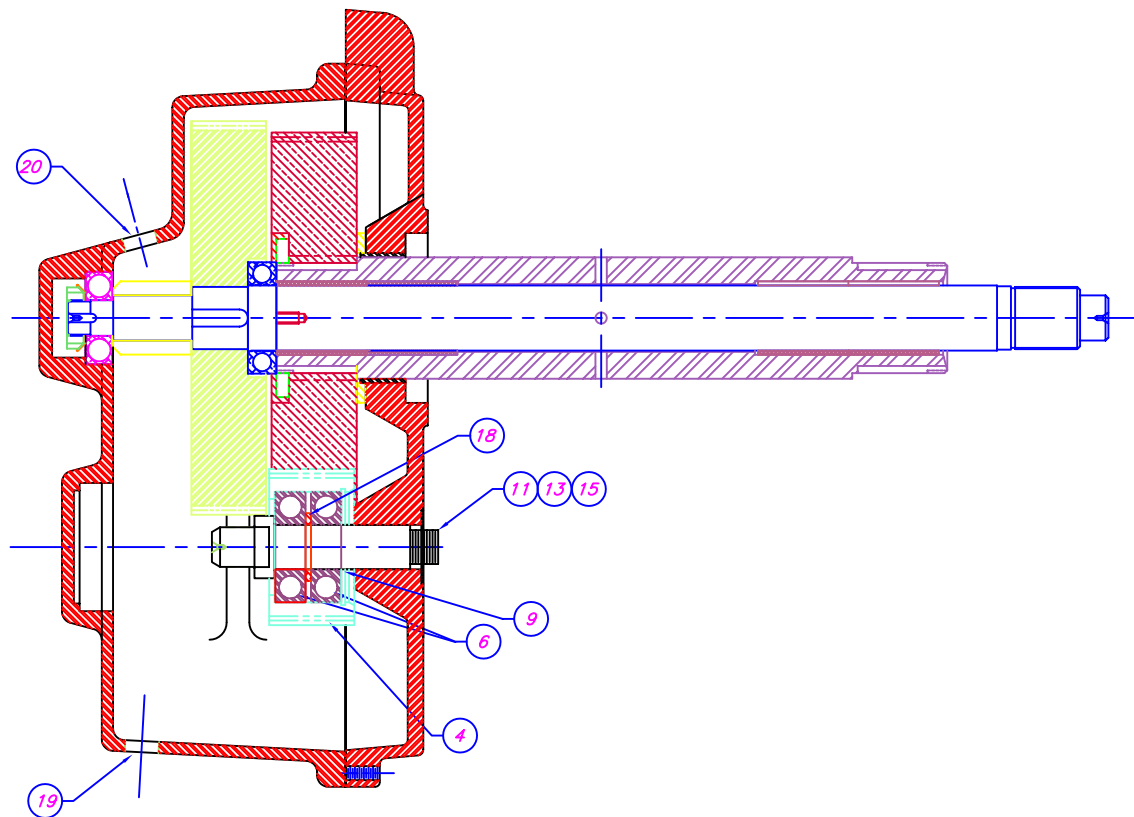
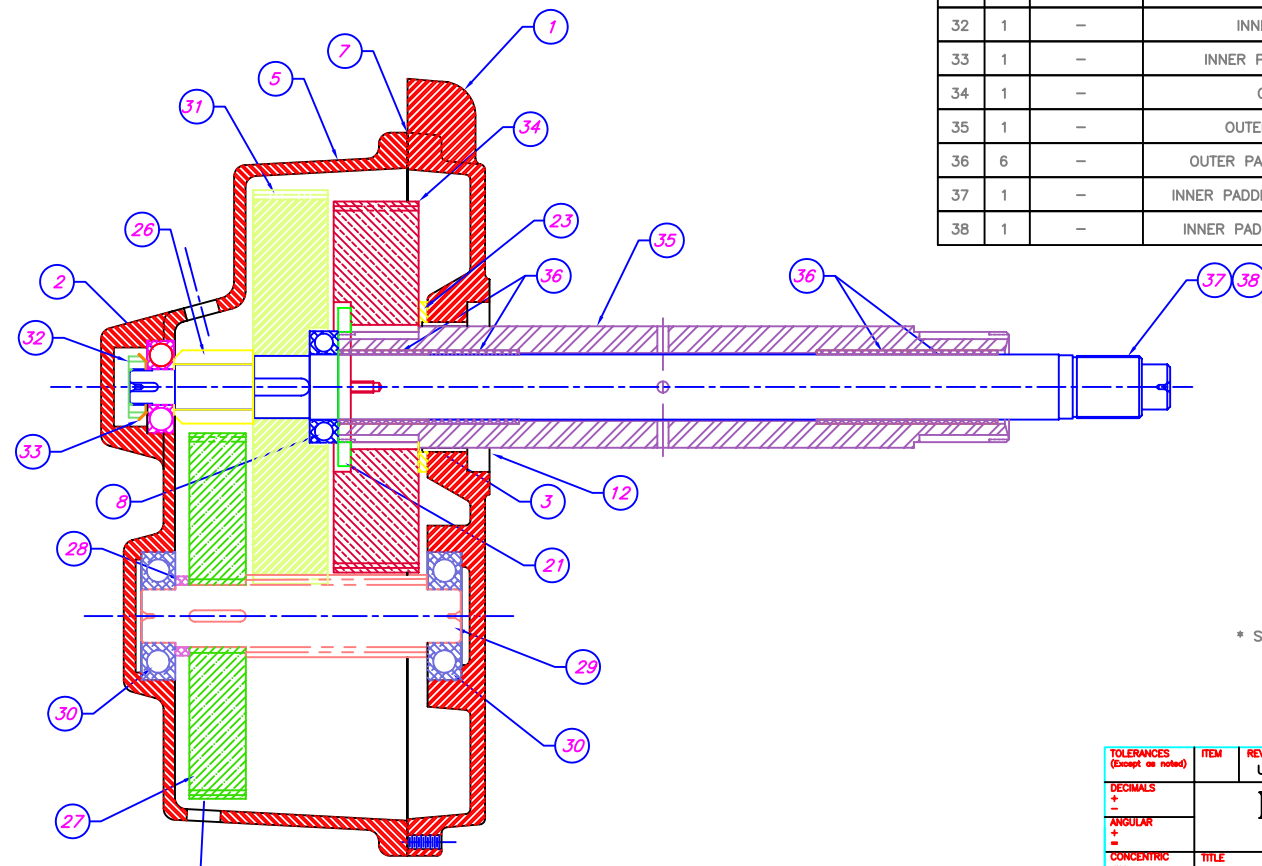


SECTION A-A



SECTION B-B



SECTION C-C

ITEM	QTY	PART NO.	DESCRIPTION	DRG/DWG NO.
1	1	-	GEARBOX HOUSING	66A00
2	1	-	INNER PADDLE SHAFT END BEARING	66A10
3	1	-	GEARBOX BEARING	66B00
4	1	-	IDLER GEAR 26 TOOTH	66B20
5	1	-	GEARBOX COVER	66C00
6	2	-	IDLER GEAR BEARING	66C30
7	1	-	GEARBOX GASKET	66D00
8	1	-	THRUST BEARING	66D16
9	1	-	IDLER GEAR BEARING RETAINER	66D40
10	16	-	GEARBOX SCREWS (NOT SHOWN)	66E00
11	1	-	IDLER GEAR STUD	66E50
12	1	-	GEARBOX OIL SEAL	66F00
13	1	-	IDLER GEAR STUD NUT	66F60
14	2	-	GEARBOX DOWEL PIN (NOT SHOWN)	66G00
15	1	-	IDLER GEAR STUD WASHER	66G70
16	1	-	IDLER GEAR SPACER (NOT SHOWN) OBSOLETE	66G80
17	1	-	GEARBOX OIL LEVEL GAUGE (NOT SHOWN)	66H00
18	1	-	IDLER GEAR BEARING SPACER	66H80
19	1	-	GEARBOX DRAIN PLUG	66J00
20	1	-	GEARBOX FILL - VENT PLUG	66K00
21	1	-	DRIVE SLEEVE RETAINER	66R00
22	1	-	MOTOR PINION	66L00
23	1	-	SPACER	66K10
24	2	-	MOTOR PINION BEARING	66M00
25	1	-	MOTOR PINION OIL SEAL	66N00
26	1	-	SPACER COLLAR	66O14
27	1	-	MOTOR REDUCTION GEAR 77 TOOTH	66P00
28	1	-	SPACER COLLAR 13 TOOTH	66Q00
29	1	-	PINION 13 TOOTH	66S00
30	2	-	PINION BEARING 13 TOOTH	66T00
31	1	-	INNER PADDLE GEAR 68 TOOTH	66U00
32	1	-	INNER PADDLE SHAFT NUT	66W00
33	1	-	INNER PADDLE SHAFT LOCKWASHER	66W10
34	1	-	OUTER PADDLE GEAR	66X00
35	1	-	OUTER PADDLE DRIVE SLEEVE	66Y70
36	6	-	OUTER PADDLE DRIVE SLEEVE BUSHING	66Z00*
37	1	-	INNER PADDLE SHAFT DRIVE END STANDARD	66V10
38	1	-	INNER PADDLE SHAFT DRIVE END DOUGH	D46V10

\* SOLD WITH 66Y70 ONLY

TOLERANCES (Except as noted)		REVISION RECORD		DATE	SIGNATURE
DECIMALS	+	UPDATE & RENUMBER ITEMS		01/10/97	PBB
ANGULAR	+	<b>LELAND SOUTHWEST</b> SAGINAW, TEXAS 76179 TITLE <b>GEAR BOX ASSY.</b>			
CENTRICITY	±				
FINISH	TIR				
CHECKED BY	CUSTOMER	SHEET 2			
PART NO.	QTY	DRAWN BY	SCALE	DATE	S. O. NO.
USED ON		TUTTLE	1/2		DRG. NO. 66000-3