

GEAR BOX EXPLOSION

MODELS I200DA70 AND I200DA90 AND I300DA90

## I200DA70/ I200DA90 PARTS

PART #	QTY	PART DESCRIPTION
<b>TANK:</b>		
	1	
30000	1	Tank Assembly
30C00	1	Tank Bushing DE
30D70	1	Tank Bushing OE
30EF3	1	Tank & Paddle Gasket Kit E/F2
30G00	1	Gland Nut DE
30H00	2	Gland Nut OE
<b>STAND:</b>		
31900SS	1	Stand Assembly, Regular
11J00	2	Casters with Brake for 70
131J00	2	Casters with Brake for 90
11J10	2	Casters w/out Brake
131J10	2	Casters w/out Brake for 90
11KLA	1	Tilt Handle Assembly K/L/A
11L00	1	Tilt Handle Knob
31MKT	1	Tilt Handle Dog Kit M/V/W/X/Y
21070	1	Outer Bearing Block UHMW
11VW0	1	Tilt Handle Plunger & Spring V/W
19C10	3	Fiber Washer-Small
19C20	1	Fiber Washer-Large
131K50	1	Tilt Handle Thrust Collar

**MOTOR:**

32000 1 2HP, 3ph, Motor

**CONTROL BOX:**

22B00	1	Control Box Assembly, 3ph
12A20	1	Start Legend
12A60	2	Stop-Job Legend
12B30	1	Start Switch
12B40	2	Stop-Jog Switch
22B50	1	Starter, 3ph
32B60	1	Micro Switch
12B65	1	Resistor
12B70	3	Heater
22B90	1	Interlock NC
12C10	1	Conduit Assembly
12R05	1	Stop Cam
12U00	1	Cam Nut
22E20	1	Service Cord w/plug, 230 volt
22G40	1	TIMER (NEW MODEL I200DA90)

**Miscellaneous:**

Manual 1 Operations Manual  
Wrench 1 Wrench for Gland Nut

**Minimum Order: \$25.00**

Prices subject to change without notice  
Returned parts subject to 15% restocking fee

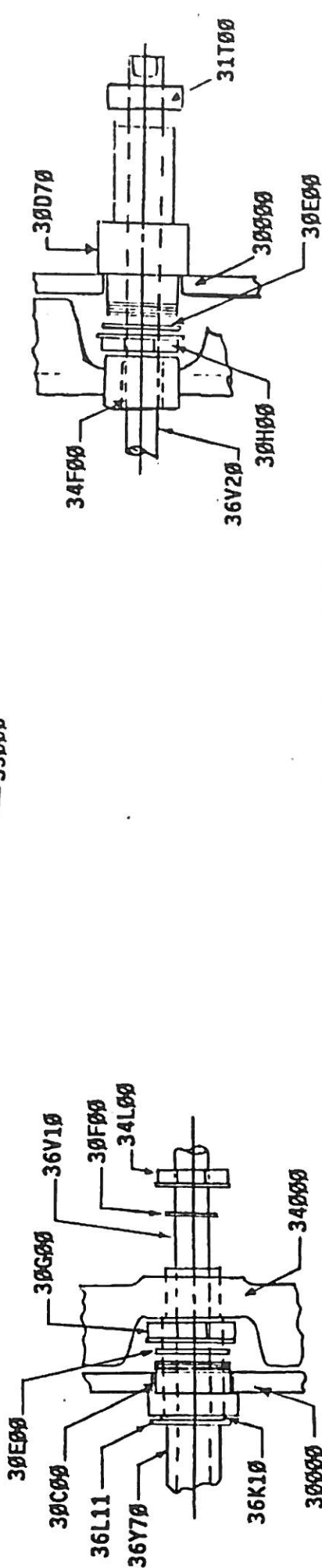
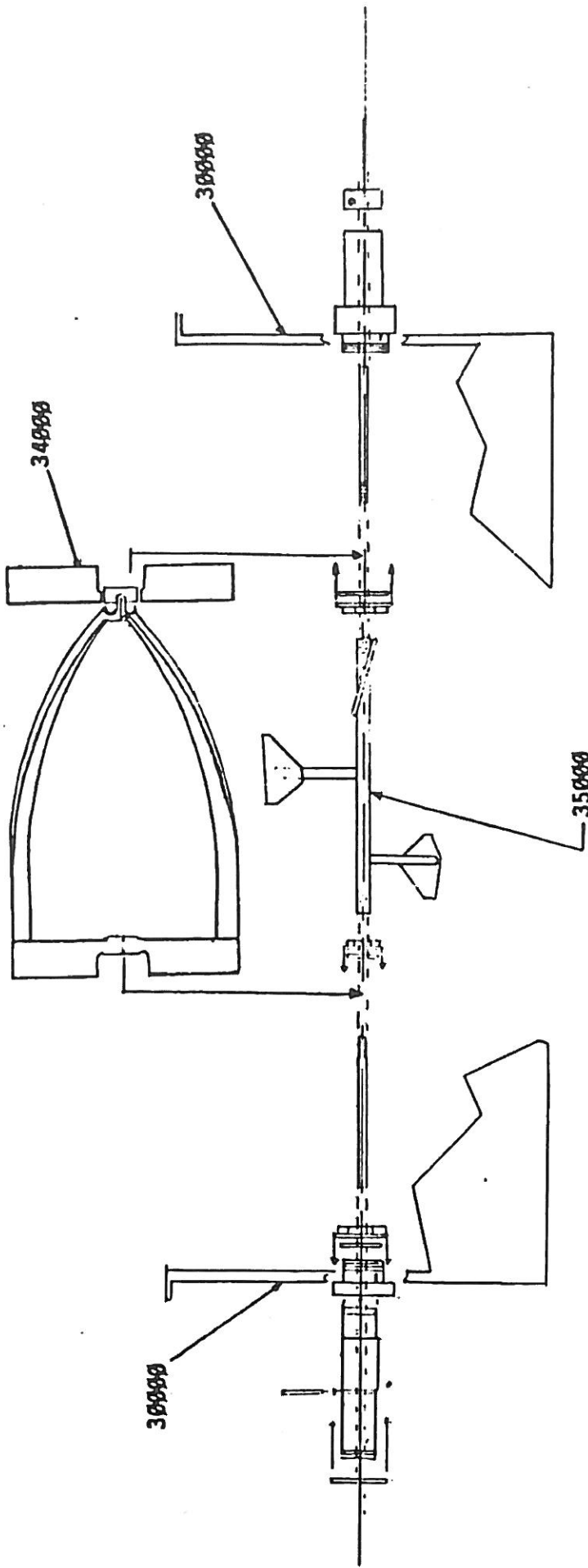
PART #	QTY	PART DESCRIPTION
<b>OUTER PADDLE:</b>		
34000	1	Outer Paddle Assembly
34F00	1	Outer Paddle Bushing OE
34K00	2	Outer Paddle Drive Key
<b>INNER PADDLE:</b>		
35000	1	Inner Paddle Assembly
36V10	1	Inner Paddle Shaft DE**
36V20	1	Inner Paddle Shaft OE
31T00	1	Paddle Shaft Thrust Collar
<b>GEARBOX:</b>		
36000	1	Gearbox Assembly w/out Motor
36A00	1	Gearbox Housing
36A10	1	Gear Spacer Washer
36B00	2	Gearbox Bushing (MUST PURCHASE QTY. 2)
36B20	1	Idler Gear
36C00	1	Gearbox Cover
36C30	1	Idler Gear Bearing
36D00	1	Gearbox Gasket
36D40	1	Idler Gear Bearing Retainer
36E50	1	Idler Gear Stud
26F00	12	Gearbox Screw-Short
36F60	1	Idler Gear Stud Nut
36G00	2	Gearbox Dowel Pin
36G70	1	Idler Gear Washer
36H80	1	Idler Gear Spacer
36J00	1	Gearbox Drain Plug
36K00	1	Gearbox Vent Plug
36K10	1	Stop Sleeve Washer
36L00	1	Motor Pinion
36L11	1	Stop Sleeve Washer
36M00	1	Motor Pinion Bearing
36M12	1	Set Screw
36N00	1	Motor Pinion Oil Seal
36P00	1	Motor Reduction Gear*
16P15	1	Oil Level Plug
36Q00	1	Bearing Retainer
36R00	4	Motor Reduction Gear Drive Screw*
36S00	1	10-Tooth Pinion*
26T00	2	10-Tooth Pinion Bearing
36U00	1	Inner Paddle Gear**
36W00	1	Outer Paddle Drive Sleeve Oil Seal
36X00	1	Outer Paddle Gear
36Y70	1	Outer Paddle Drive Sleeve Oil Seal

**LID:**

29000 1 Tank Lid Assembly  
29A00 1 Lid Arm DE  
29B00 1 Lid Arm OE  
19C00 2 Lid Bolt

**ASSEMBLIES:**

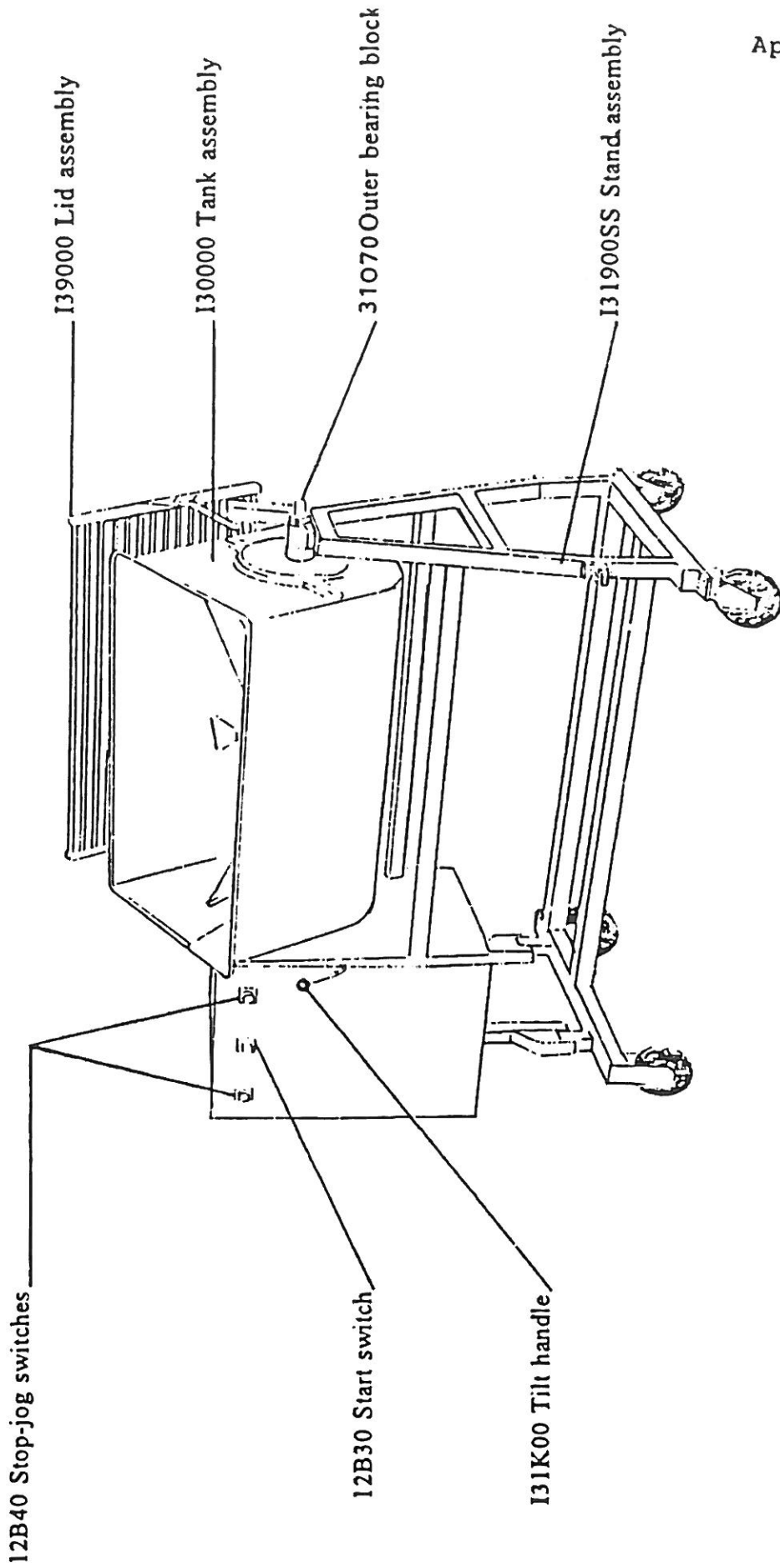
\*36P25 1 Motor Gear Assembly  
\*\*36UV1 1 Inner Paddle Shaft/Gear Assembly



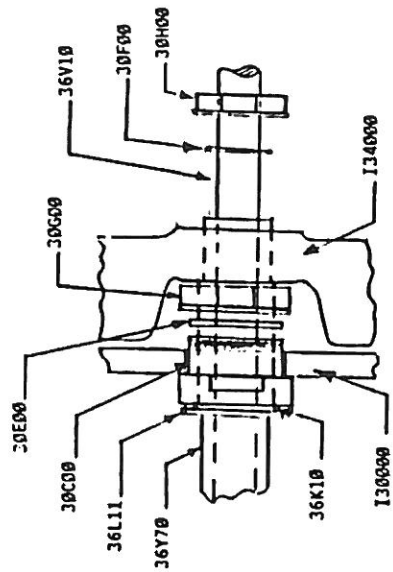
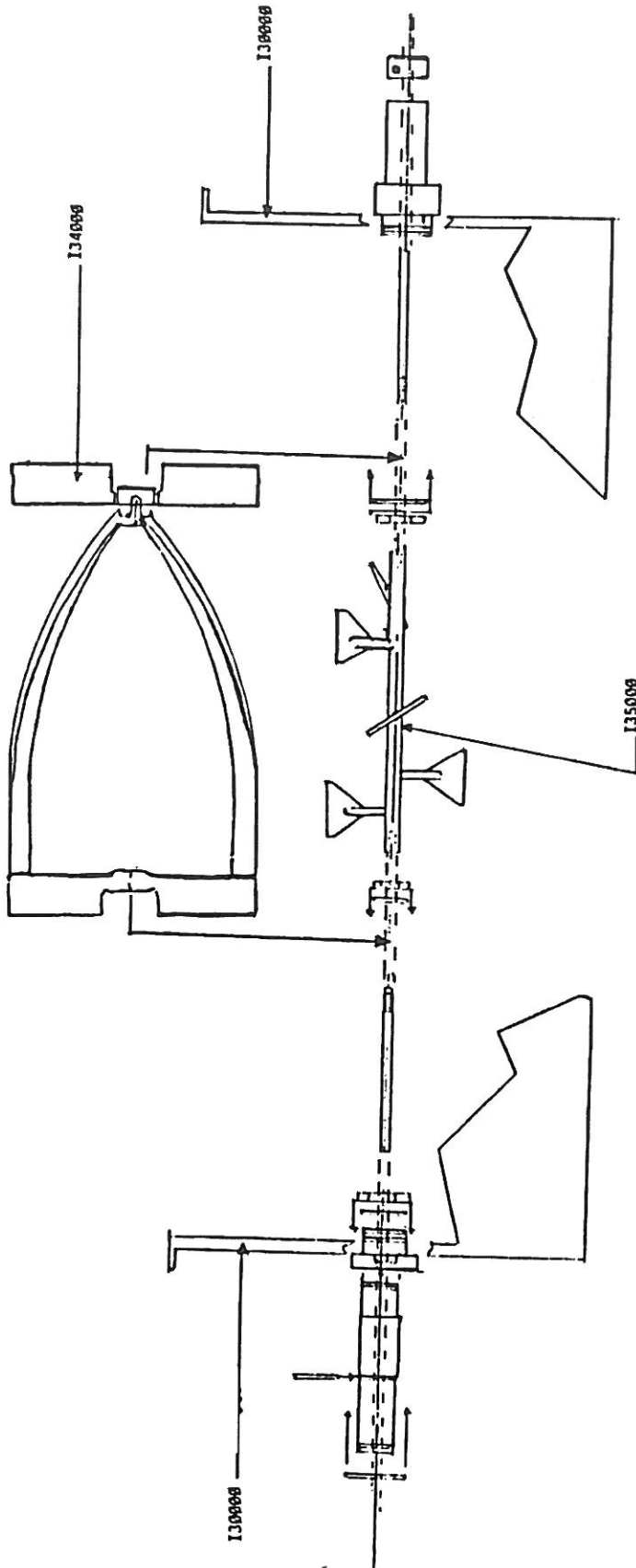
Instructions for Installing New Gaskets

- 1) Follow instructions under Daily Cleaning, Removing Inner and Outer Paddles, to remove Gasket 30E00 on motor end.
- 2) Unscrew gland nuts 30H00 and 30G00 with wrench.
- 3) Slide gland nuts and gaskets 30E00 and 30F00 along shaft as shown at left.
- 4) Remove gaskets 30E00 and 30F00.
- 5) Replace with new gaskets.
- 6) Slide gland nuts back into position and tighten.

MODELS I200DA70 AND I200DA90

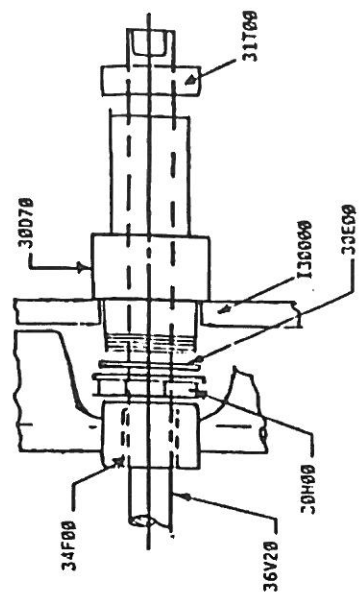


# LELAND SOUTHWEST 1300DA90



**1300DA90 Instructions for Installing New Gaskets**

- 1) Follow instructions under Daily Cleaning, Removing Inner and Outer Paddles, to remove Gasket 30E00 on motor end.
- 2) Unscrew gland nuts 30H00 and 30G00 with wrench.
- 3) Slide gland nuts and gaskets 30E00 and 30F00 along shaft as shown at left.
- 4) Remove gaskets 30E00 and 30F00.
- 5) Replace with new gaskets.
- 5) Slide gland nuts back into position and tighten.



# I300DA70/I300DA90 PARTS

PART # QTY PART DESCRIPTION

**TANK:**

I30000 1 Tank Assembly  
 30C00 1 Tank Bushing DE  
 30D70 1 Tank Bushing OE  
 30EF3 1 Tank & Paddle Gasket Kit E/F2  
 30G00 1 Gland Nut DE  
 30H00 2 Gland Nut OE

**STAND:**

I31900S 1 Stand Assembly Stainless Steel  
 I31K50 1 Tilt Handle Thrust Collar  
 I31J10 2 Casters w/out Brake  
 I31KLA 1 Tilt Handle Assembly K/L/A  
 11L00 1 Tilt Handle Knob  
 I31J00 2 Casters with Brake  
 31MKT 1 Tilt Handle Dog Kit M/V/W/X/Y  
 21070 1 Outer Bearing Block UHMW  
 11VW0 1 Tilt Handle Plunger & Spring V/W  
 19C10 7 Fiber Washer-Small  
 19C20 1 Fiber Washer-Large

**MOTOR:**

320KT 1 2hp, 3ph, Motor/Bearing/Seal/gasket

**CONTROL BOX:**

22B00 1 Control Box Assembly, 3ph  
 12A20 1 Start Legend  
 12A60 2 Stop-Job Legend  
 12B30 1 Start Switch  
 12B40 2 Stop-Jog Switch  
 32B50 1 Starter, 3ph  
 32B60 1 Micro Switch  
 12B65 1 Resistor  
 12B70 1 Heater/Overload Relay  
 22B90 1 Interlock NC  
 22E20 1 Service Cord w/plug, 230 volt  
 22G40 1 Digital Timer (New Model I300DA90)

**Miscellaneous:**

Manual 1 Operations Manual  
 Wrench 1 Wrench for Gland Nuts

**Minimum Order: \$25.00**

Prices subject to change without notice  
 Returned parts subject to 15% restocking fee

PART # QTY PART DESCRIPTION

**OUTER PADDLE:**

I34000 1 Outer Paddle Assembly  
 34F00 1 Outer Paddle Bushing OE  
 34K00 2 Outer Paddle Drive Key

**INNER PADDLE:**

I35000 1 Inner Paddle Assembly  
 36V10 1 Inner Paddle Shaft DE\*\*  
 36V20 1 Inner Paddle Shaft OE  
 31T00 1 Paddle Shaft Thrust Collar

**GEARBOX:**

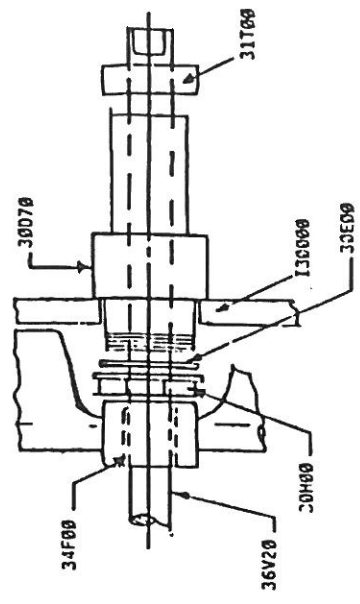
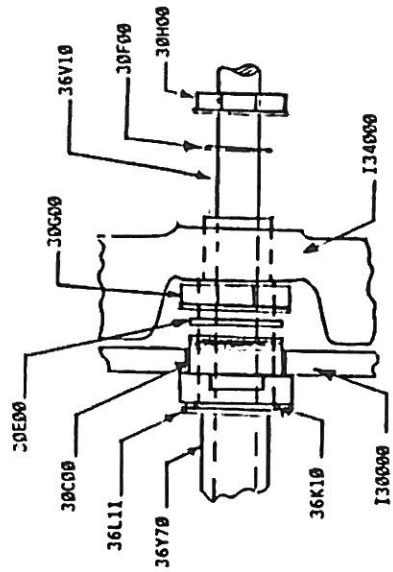
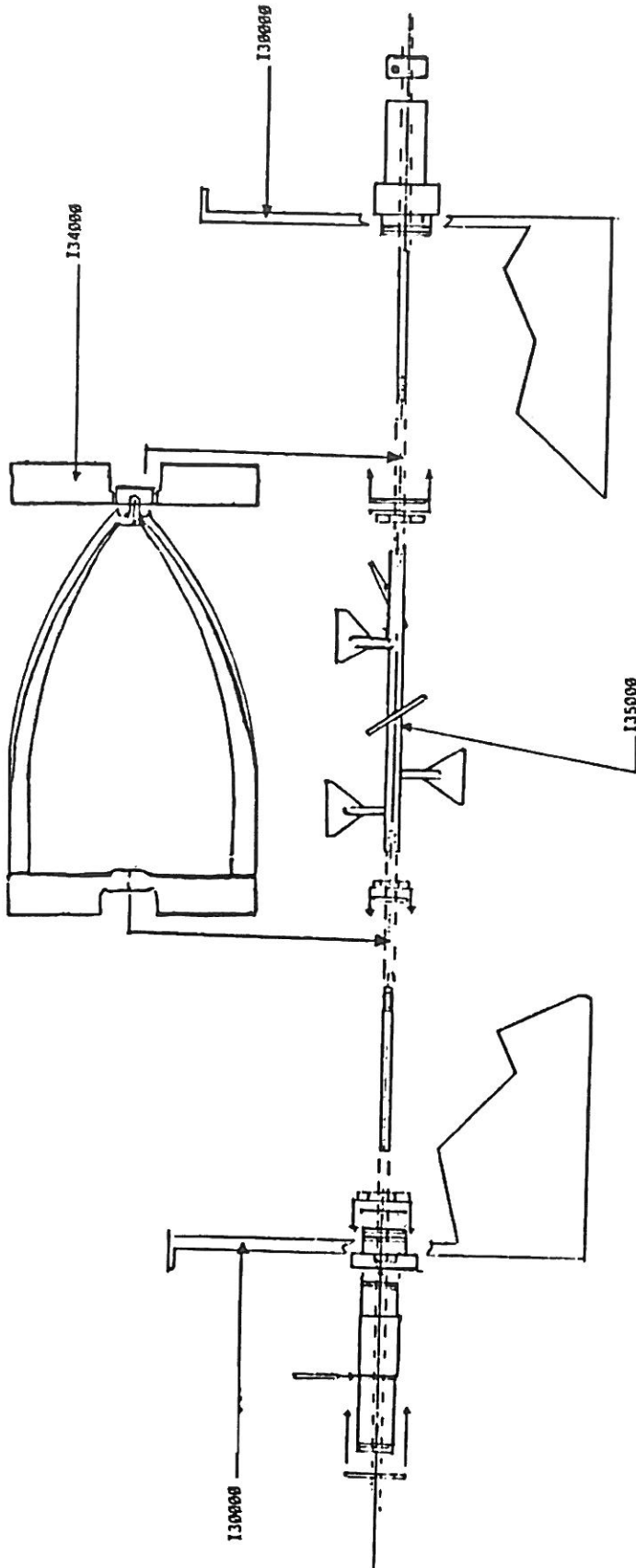
36000 1 Gearbox Assembly w/out Motor  
 36A00 1 Gearbox Housing  
 36A10 1 Gear Spacer Washer  
 36B00 2 Gearbox Bushing(MUST PURCHASE 2)  
 36B20 1 Idler Gear  
 36C00 1 Gearbox Cover  
 36C30 1 Idler Gear Bearing  
 36D00 1 Gearbox Gasket  
 36D40 1 Idler Gear Bearing Retainer  
 36E50 1 Idler Gear Stud  
 16F00 10 Gearbox Screw-Short  
 36F60 1 Idler Gear Stud Nut  
 36G00 2 Gearbox Dowel Pin  
 36G70 1 Idler Gear Washer  
 36H80 1 Idler Gear Spacer  
 36J00 1 Gearbox Drain Plug  
 16K00 1 Gearbox Vent Plug  
 36K10 1 Stop Sleeve Retainer  
 36L00 1 Motor Pinion  
 36L11 1 Stop Sleeve Washer  
 36M00 1 Motor Pinion Bearing  
 36M12 1 Set Screw  
 36N00 1 Motor Pinion Oil Seal  
 36P00 1 Motor Reduction Gear\*  
 16P15 1 Oil Level Plug  
 36Q00 1 Bearing Retainer  
 36R10 4 Motor Reduction Gear Drive Screw\*  
 36S00 1 10-Tooth Pinion\*  
 26T00 2 10-Tooth Pinion Bearing  
 36U00 1 Inner Paddle Gear\*\*  
 36W00 1 Outer Paddle Drive Sleeve Oil Seal  
 36X00 1 Outer Paddle Gear  
 36Y70 1 Outer Paddle Drive Sleeve

**LID:**

I39000 1 Tank Lid Assembly  
 I39A00 1 Lid Arm DE

**ASSEMBLIES:**

\*39P25 1 Motor Gear Assembly  
 \*\*36UV1 1 Inner Paddle Shaft/Gear Assembly



**1300DA90 Instructions for Installing New Gaskets**

- 1) Follow instructions under Daily Cleaning, Removing Inner and Outer Paddles, to remove Gasket 30E000 on motor end.
- 2) Unscrew gland nuts 30H00 and 30G00 with wrench.
- 3) Slide gland nuts and gaskets 30E000 and 30F00 along shaft as shown at left.
- 4) Remove gaskets 30E000 and 30F00.
- 5) Replace with new gaskets.
- 5) Slide gland nuts back into position and tighten.