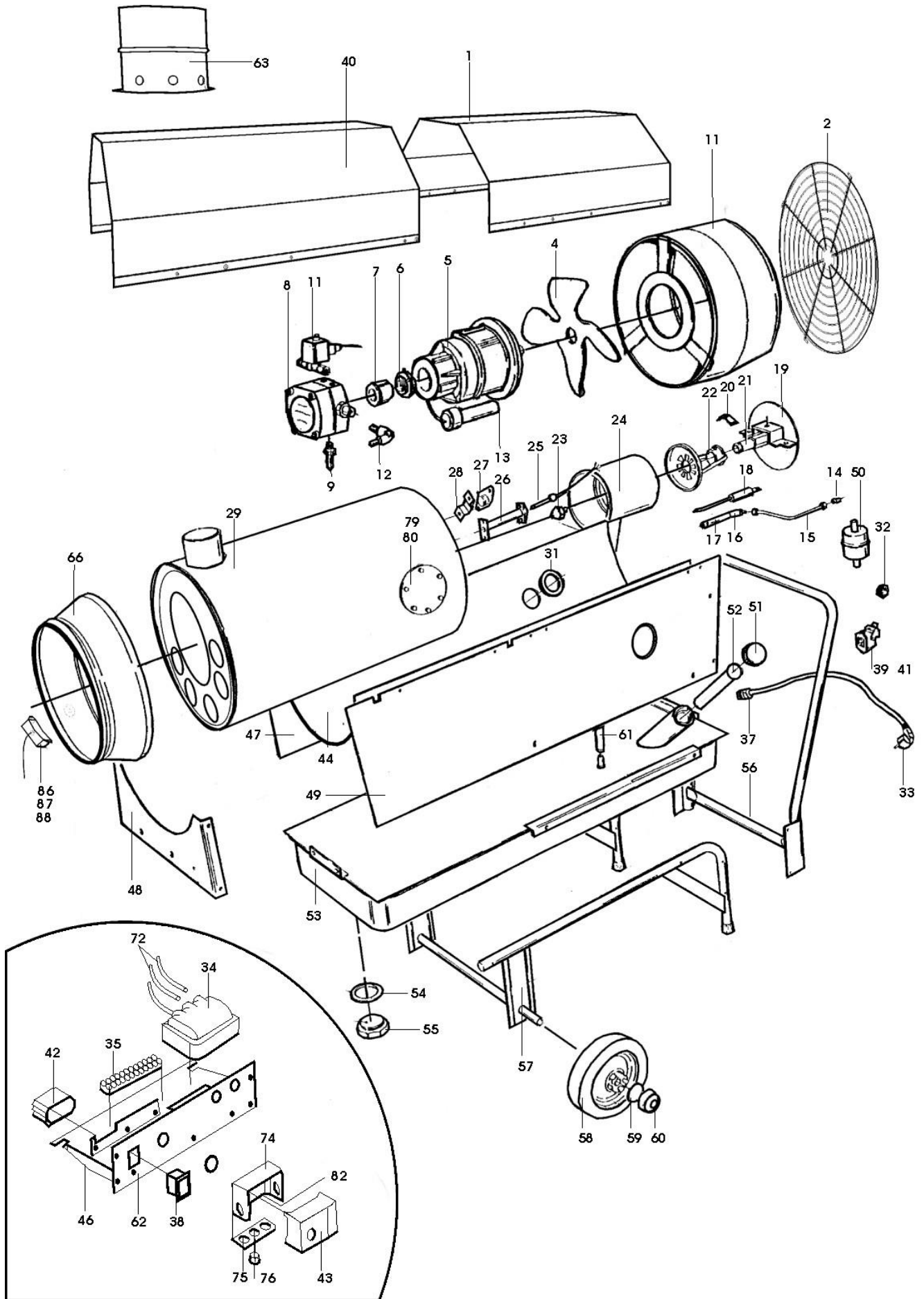


Spare parts ITA45/HP45-ITA75/HP75 USA/CAN

Thermobile Industries BV +31(0)76 587 34 50
Fax +31 (0)76 587 27 89 info@thermobile.nl www.thermobile.com

ITA 75/HP 75 ITA45/HP45



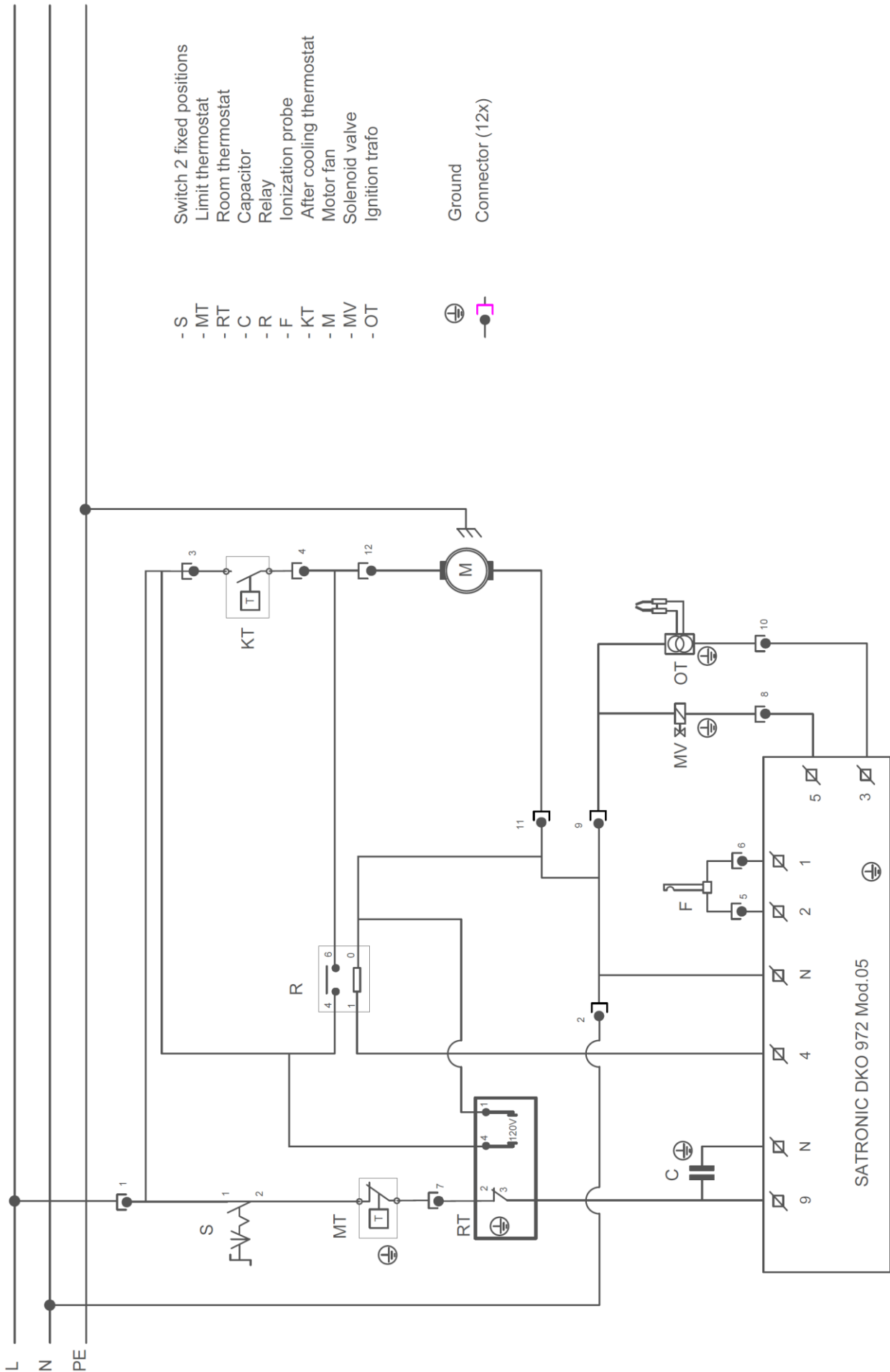
THERMOBILE®

| Pos. | Description | HP 45 | ITA 45 | ITA 75 | HP 75 |
|------|---------------------------|--------------------|--------------------|--------------------|--------------------|
| 1 | Inspection cover | | 41.404.066_6365 | 41.750.066_6365 | |
| 2 | Protection grille | 41.404.018 | 41.404.018 | 41.651.012 | 41.651.012 |
| 3 | Fan housing | 41.404.019_7964/03 | 41.404.019_7964/03 | 41.750.050_7964 | 41.750.050_7964 |
| 4 | Fan | 41.404.085 | 41.404.085 | 41.404.086 | 41.404.086 |
| 5 | Electric motor | 41.404.425 | 41.404.425 | 41.404.425 | 41.404.425 |
| 6 | Pump ring | 40.202.082 | 40.202.082 | 40.202.082 | 40.202.082 |
| 7 | Pump coupling | 40.202.157 | 40.202.157 | 40.202.157 | 40.202.157 |
| 8+11 | Pump | 40.202.271 | 40.202.271 | 40.202.271 | 40.202.271 |
| 9 | Hose connection | 40.406.007 | 40.406.007 | 40.406.007 | 40.406.007 |
| 10 | Support | 41.404.023_7964 | 41.404.023_7964 | 41.651.069_7964/05 | 41.651.069_7964/05 |
| 11 | Magnetic valve | 40.257.017 | 40.257.017 | 40.257.017 | 40.257.017 |
| 12 | Coupling, elbow | 40.202.136 | 40.202.136 | 40.202.136 | 40.202.136 |
| 13 | Capacitor | 41.404.426 | 41.404.426 | 41.404.426 | 41.404.426 |
| 14 | Pipe dive, 4 mm | 40.202.138 | 40.202.138 | 40.202.138 | 40.202.138 |
| 15 | Fuel pipe | 40.802.006 | 40.802.006 | 40.802.006 | 40.802.006 |
| 16 | Coupling to burner head | 40.202.137 | 40.202.137 | 40.202.137 | 40.202.137 |
| 17 | Connector to jet holder | | | | |
| 18 | Electrode | 41.350.076 | 41.350.076 | 41.350.076 | 41.350.076 |
| 19 | Air inlet plate | 41.404.108/02 | 41.404.108/02 | 41.404.108/02 | 41.404.108/02 |
| 20 | Electrode clip | | | | |
| 21 | Jet holder | 41.350.077 | 41.350.077 | 41.350.077 | 41.350.077 |
| 22 | Swivel disc | 41.450.078 | 41.450.078 | 41.750.178 | 41.750.178 |
| 23 | Jet | 41.400.085 | 41.400.085 | 41.750.078 | 41.750.078 |
| 24 | Burner head housing | 41.404.111_7964 | 41.404.111_7964 | 41.750.071_7964 | 41.750.071_7964 |
| 25 | Photo cell with cable | 41.000.376 | 41.000.376 | 41.000.376 | 41.000.376 |
| 26 | Photo cell tube | 41.200.103_7964/01 | 41.200.103_7964/01 | 41.200.103_7964/01 | 41.200.103_7964/01 |
| 26a | Photo cell holder | 41.000.372 | 41.000.372 | 41.000.372 | 41.000.372 |
| 27 | Cooling safety thermostat | 40.000.167 | 40.000.167 | 40.000.167 | 40.000.167 |
| 28 | Thermostat clip | 40.000.166/03 | 40.000.166/03 | 40.000.166/03 | 40.000.166/03 |
| 29 | Combustion chamber | 41.404.001 | 41.404.001 | 41.750.051 | 41.750.051 |
| 30 | Cooling jacket | 41.404.007 | 41.404.007 | 41.750.056 | 41.750.056 |
| 31 | Grummet, large | 40.202.095 | 40.202.095 | 40.202.095 | 40.202.095 |
| 32 | Grummet, small | 40.202.096 | 40.202.096 | 40.202.096 | 40.202.096 |
| 33 | Cable with plug | 41.404.424 | 41.404.424 | 41.404.424 | 41.404.424 |
| 34 | Ignition transformer | 40.000.117 | 40.000.117 | 40.000.117 | 40.000.117 |
| 35 | Terminal strip | 40.202.090 | 40.202.090 | 40.202.090 | 40.202.090 |
| 36 | | | | | |
| 37 | Cable inlet gland | 40.503.016 | 40.503.016 | 40.503.016 | 40.503.016 |
| 38 | Switch | 40.507.023 | 40.507.023 | 40.507.023 | 40.507.023 |
| 39 | Thermostat socket | 40.202.087 | 40.202.087 | 40.202.087 | 40.202.087 |
| 40 | Upper cover | | 41.404.059_6365 | 41.651.129_6365 | |
| 41 | Bridge circuit plug | 40.226.030 | 40.226.030 | 40.226.030 | 40.226.030 |
| 42 | Auxiliary relay | 40.202.229 | 40.202.229 | 40.202.229 | 40.202.229 |
| 43 | Burner relay | 40.409.106 | 40.409.106 | 40.409.106 | 40.409.106 |
| 44 | Lower cover | 41.404.009/06 | 41.404.009/06 | 41.651.021/14 | 41.651.021/14 |
| 45 | Cable loom | 41.404.180/01 | 41.404.180/01 | 41.404.180/01 | 41.404.180/01 |
| 46 | Burner relay bracket | 41.218.021/01 | 41.218.021/01 | 41.218.021/01 | 41.218.021/01 |
| 47 | Side plate, right | | 41.404.031_6365/03 | 41.651.072_6365/03 | |
| 48 | Plate | | 41.404.033_7964/01 | 41.651.018_7964/06 | |
| 48a | Plate | | 41.404.034_7964/04 | 41.651.017_7964/01 | |
| 49 | Side plate, left | | 41.404.032_6365/04 | 41.651.013_6365/08 | |
| 50 | Fuel filter | 40.202.084 | 40.202.084 | 40.202.084 | 40.202.084 |
| 51 | Tankcap | | 41.404.428 | 41.404.428 | |
| 52 | Tank filter | | 40.000.077 | 40.000.077 | |
| 53 | Tank | | 41.404.236_7964/01 | 41.651.101_7964 | |
| 54 | Drain plug washer | | 40.202.208 | 40.202.208 | |
| 55 | Drain plug | | 40.000.162 | 40.000.162 | |
| 56 | Push bar frame | | 41.404.141_7964 | 40.802.052_7964/03 | |
| 57 | Chassis frame | | 41.404.040_7964/01 | 41.651.091_7964/03 | |
| 58 | Wheel | | 41.800.129 | 41.800.129 | |
| 59 | Wheel lock ring | | 40.202.101 | 40.202.101 | |
| 60 | Wheel cap | | 40.202.102 | 40.202.102 | |
| 61 | Flexible fuel hose | 00.003.240 | 00.003.240 | 00.003.240 | 00.003.240 |
| 62 | Instrument panel | 41.652.111_7964 | 41.652.111_7964 | 41.652.111_7964 | 41.652.111_7964 |
| 63 | Chimney | 41.404.088_7964 | 41.404.088_7964 | 41.651.126_7964/01 | 41.651.126_7964/01 |
| 64 | Clip | - | - | - | - |
| 65 | Inner cone | - | - | - | - |
| 66 | Outer cone | 41.404.030_7964/02 | 41.404.030_7964/02 | 41.651.122_7964/03 | 41.651.122_7964/03 |
| 67 | Protection hose | 00.003.228 | 00.003.228 | 00.003.228 | 00.003.228 |
| 68 | Hose clamp | 40.202.116 | 40.202.116 | 40.202.116 | 40.202.116 |
| 69 | Wheel support | | | | |
| 70 | Burner head disc | 41.404.103 | 41.404.103 | 41.404.103 | 41.404.103 |

THERMOBILE®

| Pos. | Description | HP45 | ITA 45 | ITA 75 | HP 75 |
|------|------------------------|---------------|--------------------|--------------------|-----------------|
| 71 | Max. thermostat | 41.000.206 | 41.000.206 | 41.000.206 | 41.000.206 |
| 72 | Ignition cable | 40.000.281 | 40.000.281 | 40.000.281 | 40.000.281 |
| 73 | Cable magnetic valve | 40.202.099 | 40.202.099 | 40.202.099 | 40.202.099 |
| 74 | Support burner relais | 40.202.135 | 40.202.135 | 40.202.135 | 40.202.135 |
| 75 | Fixation plate | 40.280.049 | 40.280.049 | 40.280.049 | 40.280.049 |
| 76 | Plug PG16 | 40.503.016 | 40.503.016 | 40.503.016 | 40.503.016 |
| 77 | Distance tube | 41.900.637 | 41.900.637 | 41.900.637 | 41.900.637 |
| 78 | Grummet, small | 40.257.072 | 40.257.072 | 40.257.072 | 40.257.072 |
| 79 | Cover cleaning opening | 41.400.070 | 41.400.070 | 41.400.070 | 41.400.070 |
| 80 | Gasket | 41.400.071 | 41.400.071 | 41.400.071 | 41.400.071 |
| 81 | Cover plate tank tube | | 41.651.047_7964/02 | 41.651.047_7964/02 | |
| 82 | Capacitor | 41.900.666 | 41.900.666 | 41.900.666 | 41.900.666 |
| 83 | Plain washer | | 40.501.672 | | |
| 84 | | | | | |
| 85 | Clamp ring | 40.509.152 | 40.509.152 | 40.509.152 | 40.509.152 |
| 86 | Thermostat | 41.000.206 | 41.000.206 | 41.000.206 | 41.000.206 |
| 87 | Thermostat clip | 41.404.055/01 | 41.404.055/01 | 41.659.001_7964 | 41.659.001_7964 |
| 88 | Thermostat cable | 40.404.043/03 | 41.404.043/03 | 41.404.043/03 | 41.404.043/03 |
| 89 | Thermostat cover | 41.404.087 | 41.404.087 | | |
| 90 | Nut | 40.202.141 | 40.202.141 | 40.202.141 | 40.202.141 |
| 91 | Distance tube | 41.900.637 | 41.900.637 | 41.900.637 | 41.900.637 |
| 92 | Bumper | | 41.404.040_7964 | 41.651.095_7964/05 | |
| 93 | Cap | | | 40.509.714 | 40.509.714 |
| 94 | | | | | |
| 96 | | | | | |
| 97 | Distance tube | | - | 40.000.024 | 40.000.024 |
| 98 | Insulation plate | 40.202.112 | 40.202.112 | 40.202.112 | 40.202.112 |

THERMOBILE®



- S Switch 2 fixed positions
- MT Limit thermostat
- RT Room thermostat
- C Capacitor
- R Relay
- F Ionization probe
- KT After cooling thermostat
- M Motor fan
- MV Solenoid valve
- OT Ignition trafo

- ⊕ Ground
- ⊖ Connector (12x)

SATRONIC DKO 972 Mod.05