

Radiators

PHAIR

2018

**TECHNICAL
INFORMATION
OF THE HEAVY DUTY RADIATORS**



CONTENT

Content -----	02
Directions on Using Catalogue -----	02
Fast Guide by Brand -----	03
Heavy Duty Radiators -----	11
Oil Coolers -----	132
Heavy Duty Radiators Plastic-Aluminum -----	133
Charge Air Coolers -----	136
Fast Guide by Code -----	142
Final Information -----	149
Notes -----	150

SALES

DIRECTIONS ON USING CATALOGUE

The diagram shows a radiator with various callouts and labels. On the left, callouts point to: Code **PHAR**, Available Fabrication, Core size*, In let/Out let¹, Oil Cooler/Code, Reference, Draw number, Release Date³, and Solder on/Bolt on. The radiator itself has labels: **8231** (Code), **FREIGHTLINER** (Brand), **CVT-4/CVTU-4** (Model), **FLD 120** (Model), **108** (Reference), **RELAS: 08/05** (Release Date), **NO** (Oil Cooler/Code), **WITH FRAME** (Label), and **BOLT ON ONE PIECE GASKET** (Label). On the right, callouts point to: Brand, Model, Notes, Draw, Levels, MT or AT², Frame/Side Channels, and **IMPROVEMENT**. The radiator drawing includes dimensions: 41 1/2" (width), 40 23/32" (height), 37" (height), 31 1/2" (height), 2 1/2" (inlet/outlet), 2 1/2" (inlet/outlet), 1" X 4.717" (inlet/outlet), and 2 1/2" (inlet/outlet). A note says 'Similar 5603 difference in the OUTLET.'

¹Pipe Diameter.
²Manual Transmission or Automatic Transmission.
³Release Date indicates the month and year of publication in the catalogue.
^{*}In this order: **HEIGHT** (refers to the distance between edge of top header and edge bottom header, or refers to the distance between edge of right header and edge of left header), **WIDTH** (core width is measured from fin end to the other end and does not include side chanel).

CODE PHAR	APPLICATION	REFERENCES	DRAW NUMBER	PAGE
ALLIS CHALMERS				
8020	7030, 7040, 7050, 7060	CR 9753, 219753, 70269240, 70267979	001	16
8021	7000	CR 9754, 219754, OE#70260432	002	16
AUTOCAR				
8282	XPEDITOR/WX SANITATION TRUKS 04-10	NORTHERN 238683, VG8282PTOWF	003	16
8376	WX SANITATION TURCKS 92-09	NORTHERN 239041, AUTO1, OEM: 1003085, 800064	004	16
8457	WX & ACX SANITATION TRUCK 07-13	NORTHERN 238732, 800076, S8076, AUTO2	005	16
BLUE BIRD				
8223	REAR ENGINE BUSES 96-05	NORTHERN 239294, BLU07	001	18
8233	SCHOOL VISION 03-05	310011 WF, BLU08, AK 5755	002	18
8264	BUS	S-3112, 310012, 238567	003	18
8265	TC SERIES / CARPENTER BUS 93-03	NORTHERN 239280, 2001-5102, BLU03	004	18
8294	9400 94-05/GENESIS FC BUS 96 & NEWERS	NORTHERN 238545, INT65, S6479, OEM:0316727	005	18
BOBCAT				
8068	443, 443B, 543, 543B, 553C, 553G, 553F	CR 9877, 6678670, 6563691	006	18
8069	642, 642B, 643, 722, 742, 742B, 743	CR 9878, 6571713	007	19
8070	743B, 743DS	CR 9879, 6648820	008	19
8071	751, 753, 763, 773, 7753, SERIES	CR 9882, 6666348	009	19
CASE/IH				
6205	CONSTRUCTION 96 MOD. 570, 580L, 590L	4100-43, CR 9952, A-234876A1 DPI	010	19
8005	4210, 4230, 4240 MOD. 585, 595, 685, 695	CR 9888, 21988, 136839A1, A-84673C6	011	19
8006		CR 9887, 171653REF, 219887	012	19
8007		172534	013	20
8008		184062	014	20
8009	590 TURBO	CR 9729, 219729, A189481	015	20
8056	7110-7140, 7210-7240, SERIES	CR 9531, A190663	016	20
8060	585, 595, 895, 686, 695, 885	CR 9540, 8467366	017	20
8079	Mx180, Mx200, MX220	NORTHERN 211095	018	20
8208		219958 NORTHERN	019	21
8242	TRACTOR MODEL MX210, MX230, MX255, MX285	211094 NORTHERN	020	21
8250	MX 100 TRACTOR	211037 NORTHERN	021	21
8253	COMBINE 194951 A1 23388 98-04	219959 NORTHERN	022	21
8285	TRACTOR MODELS 7210-7220-7320-7240-7250	219954 NORTHERN, CR 9554	023	21
8349	TRACTOR	212089 NORTHERN	024	21
8356	C50, Cx50, C60, Cx60, C70, Cx70, C80, Cx80, C90, Cx90, C100, Cx100	NORTHERN 211022, OEM:222892A5, 303495A2	025	22
8437	SERIES MX 110, 120, 135, 150, 170, ALSO FITS P140, Px140, P170.....	NORTHERN 211037, 244295A1, 135691A3, 135690A3	026	22
8591	CONSTRUCTION LEADERS	RETRO CASE 621E 721D 721E 03	027	22
CATERPILLAR				
8063	D-8		001	24
8094	D-398	223112, 229508, W3705	002	24
8124		W 3708	003	24
8133		W 3701, 3608, 272577	004	24
8134		W 3702	005	24
8137		W 3704, 3412GEN SET, 223072	006	24
8139	D-379	223110	007	25
8144			008	25
8145			009	25
8147	3408, 3412	W 3707, 223114, 223621 (3406)	010	25
8164		W 3713	011	25
8168	ENERGY PLANT		012	25
8176		W 3709	013	26
8350	RETRO CASE 98-00		014	26
8501			015	26
8502	JCB 99-00		016	26
8562	GP 3116, 3208, 3300	OEM: 133-9673, 3N-2790	017	26
CHEVROLET				
1733	KODIAK 96-99	GMC27	001	28
2552	KODIAK 97-98		002	28
6036	KODIAK 97-98 DIESEL	GMC08	003	28
6037	KODIAK 96-99 DIESEL		004	28
6130	KODIAK BUS CONVENTIONAL 40, 50, 60	437191TNP, GMC26	005	28
6131	KODIAK BUS 40, 50, 60	GMC14	006	28
6204	KODIAK BUS 40, 50, 60 TOPTICK AMERICAN	GMC12	007	29
6233	KODIAK BUS CONVENTIONAL SERIES 40, 50, 60	GMC01	008	29
6235	KODIAK BUS CONVENTIONAL SERIES 40, 50, 60	GMC10	009	29
8028	2.3L V4 PICK UP LUV 97-00	NATIONAL MARKET	010	29
8237	KODIAK	AK 5754	011	29
8255	WORKHORSE 04-08	NORTHERN 238636, GMC38, OEM: 52494798	012	29
8363	C4500, C5500, C6500 KODIAK, TOPKICK 03-07	NORTHERN 239095, GMC34, OEM:15013551	013	30
8364	GMC C4500-8500	ACTIVE 580029	014	30
8374	TOPKICK SERIES 6000, 7000, 8000 07-09 C8500 KODIAK 07-09	NORTHERN 238642, 580030, GMC30, OEM: 15258912, HDC010276PA	015	30
8564	MUSCLE CAR CORVETTE 77-82 WITH V8 ENGINE	NORTHERN CR717 ALUMINIUM 205066, SPECTRA Cu717	016	30
CONCHO VALLEY				
8050		ACTIVE EDITION	001	32

CODE PHAR	APPLICATION	REFERENCES	DRAW NUMBER	PAGE
CUMMINS ONAN				
8247	POWER UNIT	ONAN 30 DDA, 245994 NORTHERN	002	32
FORD/STERLING				
3363	TRUCK FORD	F-500 F-600 1965 1972	001	34
3521	TRUCK LOUISVILLE LN 800 BUS	FLN8000, 0991 DPI	002	34
4025	AGRICULTURAL TRACTOR 4500, 5000 79-92	CR 9780, A-86531508 DPI	003	34
5656	F-700 BUS 95-96	FOR 95	004	34
5658	EXCURSION SUPER DUTY 99-00	2171 DPI	005	34
8001	ENGLISH MOD. 2000, 3000, 4000, 5000	A-D8NN8005PA, 219522, CR 9522, CR 9561	006	34
8004	GENERATOR	129687REF, 44520	007	35
8012	L553, L555/ 675, 675B SKIDSTEERS	NORTHERN 219805, OEM: 9828737	008	35
8023	B500, 600, 700, 800, F600, 700, 800	F5H2, 8005AA/FG/JA, 437164, FOR82, 2002-1502, 1AH0001R, 239493	009	35
8026	B500, 600, 700, 800, F600, 700, 800	437154, FOR81, 2002-1504, 239497, F5H280005CA-HA	010	35
8030	SERIES VAN CLUB VAN 83-90	1172 DPI	011	35
8031	F-SERIES BRONCO 83-94	1165 DPI	012	35
8032	F-SERIES VAN 92-94	1457 DPI	013	36
8037	8000 SERIES	E8HT8009G, E8H28005U, 90000-05, FOR05, 2001-1505, 239426	014	36
8041	ECONOLINE 75-91	1291 DPI	015	36
8064	STERLING	239406, 9000-28ST, FOR24, SRM7208	016	36
8065	L, LN, LTL SERIES	F4HT8009TB, 239360, FOR12, 8000-12, 437159S	017	36
8084	230A, 231, 233, 234, 333, 334, 335, 340, 3740A...	C7NN8005H, EONN8005MD15M, CR9561	018	36
8093	7810S	NORTHERN 211012	019	37
8096	L, LN, LTL, ZL SERIES	9000-07, FOR07, 9000-01, FOR01, 2001-1501	020	37
8097	9500 SERIES	9000-23ST, FOR23, 437207S, 2001-4114, 239492	021	37
8121	B&F SERIES STERLING	OEM 1AH006445, 437168, FOR83, 2002-1512, 239428, 370003, FB 104	022	37
8122	STERLING	90-0010, FOR10, 2001-1519, FD31, 239318, 1033260, 1003260	023	37
8127	STERLING	SRM7336, 9000-14ST, FOR14, FD34, 2001-1518	024	37
8163	B&F800	239413, 4372025, FOR18	025	38
8182	B&F 700-800, ACTERRA SERIES	NORTHERN 239413, SPECTRA 2001-1523	026	38
8199	STERLING 01-03 CYL. ISC-300	FOR22, 239484, OEM F6HT8009BB, F8HT8009DA	027	38
8203	STERLING	5363	028	38
8225	TOM'S BRONCO 66-77	0521 DPI	029	38
8233	MOTORHOME	310011 WF, BLU08, AK 5755	030	38
8234	L, LT 9500 SERIES	FIHT8009TA, 1003335, AK5334, FOR25	031	39
8241	L, LN, LTL, CL SERIES	AK5362, FOR06	032	39
8266	B&F SERIES	S5611, FOR71	033	39
8299	SERIES L, LN, LTL, CL 94-05	NORTHERN 239067, 2001-1510	034	39
8337	B & F SERIES	FOR 64, OEM # FOH78005HB	035	39
8338	BRONCO 66-67	399024	036	39
8365	MUSTANG	NORTHERN 211018	037	40
8377	FORD/BRONCO		038	40
8411	LTL, LTA, LTLs SERIES 9000, SILVER STAR/1300 01 Y NEWER	NORTHERN 239464, 2001-1515, FOR15, OEM: F4HZ8005H	039	40
8420		S56-09 WORKS	040	40
8571	AGRICOLA	219556 NORTHERN	041	40
FREIGHTLINER				
5603	FLD120 93-99	EX03AC0022SP, FRE21, 800021, 2101-1701	001	42
6120	TRUCK 98-02 CENTURY CLASS COLUMBIA	437157TNP	002	42
8022	FLD112, 120 98-03	05-16378-001, 16397001, 680-500-22-03, SRM7116, 800004, FRE04, FRE04F, 2001-1704, 239355	003	42
8024	URBAN FL50-90 SERIES 98-03	A05-16058-003, 680-500-28-03, SRM7145, 800005, FRE05, FRE05F, 2001-1705, 239342, 239330, 437145	004	42
8025	BUS FL50-90 SERIES	05-16756-000, A05-16238-000, SRM7152, 800006, FRE06, FRE06F, 2001-1706, 437152	005	42
8044	COLUMBIA	SRM800019, FRE19, 800019, FRE19F, 239326, 8000-19BT	006	42
8047	CENTURY CLASS COLUMBIA 98-02	05-16255-000, SRM7157, 8000-07, FRE07, FRE07F, 239397, 239331, 2001-1707, 6805000603	007	43
8049			008	43
8059	COLUMBIA (SOLDER ON/BOLT ON ONE PIECE GASKET)	800022, FRE22, 239336, SRM8056-F, FRE22F	009	43
8066	UPS VAN, FEDEX TRUCK	732079, VAB1003435, 734357, SRM7196, 800015ST2002-1708, 239372, 239308	010	43
8067	CENTURY SERIES	OE#A4738, B7472, SRM800020, 800020, FRE20, 239364, 2001-1710, FRE20F, 201710ACE	011	43
8080	SCHOOL BUS	16909-000, A05-16058-004, 1AH40011005, SRM7149, 800010WOF, 800010, FRE10, FR420C, 239306, 2001-1714	012	43
8081	FL50-90 SNOW PLOW	A05-16060-003, SRM7166, 800012WOF, 800012, FR42 W, PTO, FRE12, 239359	013	44
8123	CENTURY COLUMBIA SERIES	FRE08	014	44
8138		UP 8138 RANDALL	015	44
8141	BUSSINES CLASS M2 2008	B 9688, 20050513055325	016	44
8151		437195, 800014, FRE14, 239371, 2002-1709, OEM1003434, 1102036	017	44
8152	FLD 112, 120 ARGOSY COE	FRE16, 2001-1713, 8000-16, 239369, 2AH00096	018	44
8169	FL50-90 SNOWPLOW 98-04	NORTHERN 239358 SPECTRA 2001-1714C	019	45
8171	COLUMBIA 112-120, CENTURY SERIES, FLD-120, M2	NORTHERN 239117 SPECTRA 2001-1724	020	45
8184	COLUMBIA CENTURY M2	FRE24, 800024	021	45
8185	M2, MC, MM 06-09	NORTHERN 239130, FRE41	022	45
8186	M2 BUS 04-07	NORTHERN 238617, FRE42, 8000-66-AP	023	45
8189	CENTURY, COLUMBIA, FL, FLD112-120 SERIES 97-07	NORTHERN 239331, 239397, 2001-1707, 8000-07-AP	024	45
8215	MOTORHOME, FIRE TRUCK 01-05	NORTHERN 239187, FRE23	025	46
8216	BUSINESS CLASS M2	B 9688, 200505113055235	026	46
8231	FLD 120	EX03AC0022SP, FRE21, 800021, 2101-1701	027	46
8238	CLASSIC-XL 10-11, FLD D 06-09	NORTHERN 239193, 800055, Ak5752, S8055	028	46

CODE PHAR	APPLICATION	REFERENCES	DRAW NUMBER	PAGE
8254	WH-800 2820 03-04	FRE27, FEDEX, UPS STEP VAN, MT-45, MT-55, MB-55, OEM VAB1003599, 97, 66	029	46
8262	CORONADO	FRE13, 2001-1712	030	46
8269	CONDOR	S8038, FRE38	031	47
8270	CONDOR	S8039, FRE39, OEM A0520667000	032	47
8271	FREIGHTLINER UPS	STEPVAN	033	47
8273	CASCADIA, CENTURY, COLUMBIA, ARGOSY 08-13	NORTHERN 239159, 2001-1725, FRE54, 800047	034	47
8274	CASCADIA, M2, CLASSIC, STERLING AT/LT 9500 SERIES 08-13	NORTHERN 239166, 2001-1732, FRE70, 1A0202900002	035	47
8303	CASCADIA, CLASSIC 120, M2 112 BASE 08-13	NORTHERN 239004, 2001-1728, FRE68, 800068	036	47
8314	M2	800057 SIMILAR	037	48
8315	CASCADIA 07-09	NORTHERN 239065, FRE46, OEM: 0526621005	038	48
8316	M2	239018 NORTHERN, 800054, 8185 PHAR SIMILAR	039	48
8317	WH-800 2820	800027WF	040	48
8333	COLUMBIA, M2, FLD BC 112 / At9500, Lt9500 08-09	NORTHERN 239162, FRE73, 900042, 559162, OEM:0527751012	041	48
8334	SERIES FL50 - 90 97-04 / ACTERRA Q MODEL 01-04	NORTHERN 239359, 2001-1705C, FRE12, 559359, OEM:A0516061003	042	48
8362	SCHOOL BUS F5-65	239191 NORTHERN	043	49
8375	CASCADIA, CENTURY COLUMBIA 08-13/L9500 09-10	NORTHERN 239195, 2001-1723, 800057, FRE61, S8075, 559195	044	49
8391	M2, 106 BUSINESS CLASS, 08-09/ACTERRA 08-09	NORTHERN 239087, FRE66, OEM: 900050, A0528482000	045	49
8402	DR-FR-1321-B-002-84	DURALITE	046	49
8413	THOMAS BUS SERIES LT, B2, C2 07-13	NORTHERN 238619, 2001-1721, 310081AP, 1040293AS	047	49
8416	FREIGHTLINER/CASCADIA STERLING 2008	FR64PTO	048	49
8422	BUSINESS CLASS M2, M2 106 BASE 07-14	NORTHERN 238616, 2001-1749, FRE82, 900052AP, OEM:0525194000	049	50
8423		NORTHERN 900051ST	050	50
8424	BUSINESS CLASS M2 BASE, M2 106 Y M2 112 BASE 08-13 ACTERRA	NORTHERN 238614, 2001-1748, FRE84, 900053 OEM:A0252424006	051	50
8505	CASCADIA 113 & 125 12-15	NORTHERN 238713, 2001-1755, FRE108AP, OEM:0530990001	052	50
GILLIUS BUS				
8249	GILLIUS TRANSIT BUS 96-07	NORTHERN 238818, TAL073109, 250RA042	001	52
GMC				
8459	C4500, C5500, C6500 KODIAK, TOPKICK 03-07	NORTHERN 239023, GMC34, 580033, OEM:SCSI239023	002	52
8470	TRUCK		003	52
HINO				
8339	300 SERIES 07-10	OEM: 16400-78600	004	52
HYSTER				
8211	FORKLIFT	249270	001	54
8227	FORKLIFT D187	41131	002	54
8228	FORKLIFT	WORKS 4196	003	54
8243	FORKLIFT H45-65XM (DIESEL)	246299 NORTHERN	004	54
8251	FORKLIFT H80XM	246297 NORTHERN	005	54
8252	FORKLIFT HX70XM	H80 XM, 246296 NORTHERN	006	54
8281	FORKLIFT H45-65XM	246290 NORTHERN, OEM 1338328, 770016	007	55
8311	H25-35XM, 560ES/504XMS	246086	008	55
8469	LIFT TRUCK	GDP20, GDP25, GDP30	009	55
8471	LIFT TRUCK		010	55
8496	LIFT TRUCK		011	55
8528	H110 FT 11500 LBS	HYSTER 2014	012	55
8531	LIFT TRUCK & FORKLIFT	NORTHERN 246213, 1329169	013	56
8561	CATERPILLAR FORKLIFT GC20K, GC25K, GC30K, FGC20K, FGC25K, FGC30K	NORTHERN 246110, OEM: 9360120400 , 9360130400 , 9360100400 , 9360110400	014	56
HYUNDAI				
8178	H-100 04-06	NATIONAL MARKET	015	56
8183	H-100 DIESEL	NATIONAL MARKET	016	56
8521	SUPER AERO	CITY GNC	017	56
IH				
8449	FARMOLL 504	OE 377090, R92	018	56
INTERNATIONAL/NAVISTAR				
3972	S-600 92-94	640051, 232129, INT50, 2117 DPI	001	58
3973	S-400, S-500 92-94	640056, INT56, 2006-3509, 640055, INT55, 2006-3501	002	58
3974	S-400, S-500 94-98	640057, 640058, INT57, INT58, 2006-3506, 2006-3508, 238511	003	58
3975	S-600 94-98	INT54, 640053, INT53, 640054, 2118 DPI	004	58
5600	D-9400	SRM7176, 437176, 2101-3518, 239393, NAV20, 437176TNP	005	58
5960	BUS S-500 87-92	NATIONAL MARKET	006	58
5962	BUS S-500 87-92		007	59
5963	BUS S-500 87-92		008	59
5967	TRUCK 9200-9400 96-02	640003, NAV03, 239323 (A), 239324 (B), 640003WFA, 310003WFB, 437121TNP, 2001-3503	009	59
6119	S-600 94-98	NATIONAL MARKET	010	59
6125	BUS 00-03 DT-466 02-03 4600/4300	SRM6125, 640008, NAV08, NAV12, SRM6125-AT, 239328, 239329, 640012	011	59
6211	MODULE 3H 98-99		012	59
6250	02-03		013	60
8029	BUS S-500 87-92	NATIONAL MARKET	014	60
8077	4900 SERIES	640060, INT60, 2006-3505, 11-C9265, ACE 45505, 238575	015	60
8078	INTERNATIONAL HDC	010584 KEYSTON	016	60
8090	INTERNATIONAL	9901 MODEL 2003/2008	017	60
8107	500 SFA 8100 SERIES	N640005, NAV05, 2001-3502, 239366, 640005WF, 437122	018	60
8111	BUS TH 001	IB 8111	019	61
8142	7300, 7400, 7600 SERIES DL 530 E 03-06	IN 7411, 56411, NAV11, NAV14AUT, 239258AUT	020	61

CODE PHAR	APPLICATION	REFERENCES	DRAW NUMBER	PAGE
8143	9400 05		021	61
8150		INT30, 230271, 2006-3517, OEM 49336764	022	61
8158		NORTHERN 238517, INT63, 2006-3502, 11C-8804	023	61
8165		4373315, INT62, 11C-9264	024	61
8166		232124, INT31, 2006-3508	025	62
8167	MICRO BUS		026	62
8175	4400-7300 ST	INT71	027	62
8179	7400, 7900	1327366 OEM, 232123, 238564	028	62
8187	MICROBUS 98-02	NORTHERN 238514, 2505157C1	029	62
8188	4700, 4900 SERIES	56454PTO, 238581 STD, 238580AUT	030	62
8191	SERIES 3000, 3600, 3800	NORTHERN 238576	031	63
8193		NORTHERN 238546	032	63
8194	S-600	640052, INT51 STD, INT52, 230201	033	63
8201	2008	9400	034	63
8208		NORTHERN 219958	035	63
8222	F-600 08-09	P/N: 2587286 C91	036	63
8236	INTERNATIONAL	PAYSTAR 5600	037	64
8240	9800 SERIES	NAV09, 640009	038	64
8245	1600, 1700, 4600, 4900 SERIES 81-99	WORKS S6470, OEM: 1668900C92, 2006-3522	039	64
8261	1900 SERIES	INT66, AK 5301	040	64
8294	9400 94-05/GENESIS FC BUS 96 & NEWERS	NORTHERN 238545, INT65, S6479, OEM:0316727	041	64
8295	4900 SERIES	S6471, INT64	042	64
8297	4400-7300 SERIES	S6480	043	65
8298	4900 SERIES	S6475	044	65
8300	7400 2004-2007		045	65
8343	PROSTAR / EAGLE 9100, 9200, 9400, 9900 07-09	NORTHERN 239091, 640028, NAV16, HDC010569PA	046	65
8348	TRUCK 00-03	I400C/FS	047	65
8351	HEAVY DUTY TRUCK 00-03	640023 ACTIVE	048	65
8443	3800, 4100, 4200, 4300, 4400, 7300, 7400, 7500, 8500 BASE 02-08	NORTHERN 239019, 2001-3548, NAV27, 640019, 2506891C91	049	66
8448	4000, 4300, 4400, 8000, 8500 08-11 / FORD F650, F750 08-12	NORTHERN 239081, NAV30, 2001-3534, OEM:2593303C91	050	66
8450	DURASTAR SERIES 4000, 8000 08-11 / FORD F650, F750 08-11	NORTHERN 238725, 2001-3551, 640098, 2593302C91	051	66
8475	PROSTAR & TRANSTAR W/ MAXXFORCE 08-16	NORTHERN 238812, TX-1008475-RAD, 2601280C91	052	66
8513	7030, 7040, 7050, 7060	238704	053	66
8518	DURASTAS SERIES 4000 10-14 / FORD F650, F750 11-15	NORTHERN 238704, 6400-98, 615RA098, OEM:2601251C93	054	66
8568	TRACTOR	219502 NORTHERN	055	67
8577	TRACTO	INTERNATIONAL 239000	056	67
8592	TRACTO INTERNATIONAL	WORKS STAR 7300, 7600, 7700, SERIES 08-11	057	67
8597	INTERNATIONAL	87 KEYSTON	058	67
ISUZU				
8159	NPR/NQR 94-13/ W-SERIES 94-05	NORTHERN 239270 2001-0702, ISU43	001	70
8160	NPR 98 & NEWER. GM W SERIES	NORTHERN 239272, 97044293	002	70
8161	NPR/NQR 99-03, GM W-SERIES 99-04	NORTHERN 2393077 ISU10, 2001-0701	003	70
8204	NPR/NQR 94-13, W-SERIES 94-05	NPR2343PA, ISU43, 5800-28AP	004	70
8205	TRUCK 06-08	ISU09, OEM 97333140, 97333141	005	70
8256	2008	ELT300	006	70
JOHN DEERE				
6201	MOTOBOMBA		007	71
8054	M-40, 320, 330	OE#AM0771T, CR 9734	008	71
8055	420, 430 HD	OE#AT10299, CR 9735	009	71
8057	2840, 3030, 3120, 3130	OE#A26474, CR 9853	010	71
8105	410B, 410C, 410D, 415B, 510B, 510C, 510D, 515B...	CR 9740	011	71
8106	TRACTOR 1850, 1950, 1950N, 2155, 2355	OE#AL67563, CR 9851	012	71
8206	2550, 2355-LATE, 2450, 2555-LATE, 2650, 2650N...	OE#AL66774, CR 9852 NORTHERN	013	72
8209	300D, 310C, 310D, 315C, 315D	NORTHERN 219739	014	72
8210	TRACTOR	259542	015	72
8246	TRACTOR	MFG 017-6, 16327-A, 16525-70, 245993 NORTHERN	016	72
8248	2955-LATER, 3050, 3055-3150, 3155, 3255, 3350...	OE# AL66766, CR 9854	017	72
8259	OIL COOLER TRACTOR	AP29759	018	72
8260	OIL COOLER TRACTOR	AP29777	019	73
8267	TRACTOR	29476	020	73
8268	TRACTOR	AP29857	021	73
8279	420 & 430 W/LONG NECK TRACTOR	219736 NORTHERN	022	73
8280	MODEL 210C, 482C	219768 NORTHERN	023	73
8283	FITS 8450	219939 NORTHERN, RE21557, 1A11243, 031083, WURE 21557, AR93889	024	73
8284	8430, 8440, 8630	RE21561, 219940 NORTHERN, AR76838	025	74
8288	8100-8200-8300-8400-8410-84105	211038 NORTHERN, OEM RE 159541, RE69136, RE61305	026	74
8296		JD 4045	027	74
8312	2250, 2355, 2450, 2555, 2650, 2755, 2850, 2855N AP29919	CR 9771, OE#AL56372	028	74
8313	POWER UNIT	C4910056000	029	74
8331	MOTOR 4024 TF. 31 100025 BARNES DE MEXICO		030	74
8340	2300/2400	AP-33080	031	75
8341	TRACTOR	219763 NORTHERN, AL115857, AL37451, AL78003, AL115732, AL115002, AL115731, AL110996, AL116668, AL110865	032	75
8342	TRACTOR	219936 NORTHERN, RE165030, RE67333, RE49167	033	75

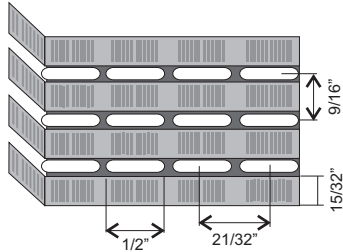
CODE PHAR	APPLICATION	REFERENCES	DRAW NUMBER	PAGE
8354	TRACTOR	AM0771TMT320	034	75
8357	TRACTOR	AM 121496 NORTHERN	035	75
8358	TRACTOR JD-4430 73-77	NORTHERN 219562, OEM: Ar61879, Ar60337, 564633	036	75
8388	4050, 4055, 4250, 4255, 4455	219569 NORTHERN	037	76
8441	POWER UNIT		038	76
8442	LIGHT PLANT	BARNES C.B. 31100125	039	76
8488	P2300	AP 33079	040	76
8519	JD-03-3	3029 TF150	041	76
8548			042	76
KENWORTH				
5592	W-900 350 74-89	NATIONAL MARKET	001	78
5593	K-123 74-84	NATIONAL MARKET	002	78
5594	T-800 89-94	SRM5594, KEN22	003	78
5599	T-600 92-95	SRM5599	004	78
5605	T-450 93-95	KEN23	005	78
5736	T-300	KEN04, 239341, 437167TNP	006	78
6010	T-2000	KEN05, 239498, KEN05F, 437179TNP	007	79
6213	T-600, T-800 95-99	SRM6213, 6500-06, KEN06, 239312, 2101-2503, 2101-2501, 239209	008	79
8048	KENWORTH W900 B	1991 2007 NORTHERN 239337	009	79
8061	T-2000	4870810009, 7006435002, SRK7179-A, 650005A, 2001-2505, KEN05AF, 650005WOF	010	79
8062	379 SERIES T-300 2003	770005, 3E10673D, PET05, 239207	011	79
8085	T-800 SPECIAL EDITION	KWT800, 650008, KEN08	012	79
8174	T-660 06-11, W-900 08-15, T-880 2014	NORTHERN 239129, SPECTRA 2001-2507	013	80
8214	TRUCK	KEN07, K900C	014	80
8258	T-600, T-800 2008	X5601-20, KENWORTH YET	015	80
8287	T-800, T-880/365, 368, 567 08-15	NORTHERN 239165, 2001-2508, PET18, KW69	016	80
8289	T370 09-10 BEHC H5408	7700-14, 239167	017	80
8328	T-660/ 320 CURBTENDER SANITATION TRUCK 08-13	NORTHERN 239074, KEN19, 770022, 559074, OEM: F3160961001010	018	80
8359	KENWORTH W900	ACTIVE 650014	019	81
8366	HEAVY HAULER		020	81
8404	T-660, W-900, W-900B2, T-800H 06-14	NORTHERN 239045, 2001-2514, KEN20, S6518, 559045	021	81
8410	KENWORTH/KW-T450	239094 NORTHERN	022	81
8412	KENWORTH/PETERBILT/T-660	770022	023	81
8444	KENWORTH T-300, T-370 11-14 / PETERBILT 330, 337, 348 11-12	NORTHERN 238651, 2001-3809, KEN30, 770041AP, OEM:F316164110120G	024	81
8536	KENWORTH T-400B, T-450B, T-600A, T-800	NORTHERN 238753	025	82
KOMATSU				
8524	FORKLIFT	3EC04A6210 NORTHERN	026	82
KUBOTA				
8275	INDUSTRIAL	S 1505	001	84
8318	POWER UNIT A-41	NORTHERN 245967, X9905, OEM: 1662572061	002	84
8319		3RPS5-013 (WORKS), X9910	003	84
8320		3RPS-20 (WORKS), X9911	004	84
8570	TRACTOR	211102 NORTHERN	005	84
MACK				
5959	TRUCK	NATIONAL MARKET	006	84
8003	MACK SERIES	MAC09, 299395, OEM3MF5474CM2, X45081	007	85
8053	MACK 1991/2004	CH 613 E7	008	85
8075	VN SERIES 03-07 / MACK CHN / CXN 05-07	NORTHERN 239211	009	85
8091	CX/ZXN 612	3MF5541AM, 7300-11, MAC11, 239252, MKCX	010	85
8095	VISION CX613	7300-08, MAC08, 239400, 437357S:AS	011	85
8173	MR-600 SANITATION TRUCKS	NORTHERN 239396	012	85
8197	VISION	MAC06, 239304, 2001-3006, S7306	013	86
8226	LE-600 SANITATION TRUCKS 00-07	NORTHERN 2391-83	014	86
8239	SANITATION TRUCKS	NORTHERN 239032	015	86
8353	SHN SERIES 08-10	ACTIVE 730018U, AKM5781, 239182 NORTHERN, OEM 21095128	016	86
8557	MR 600	239396 NORTHERN	017	86
MAN				
8149	BUS		018	86
8198	BUS 660 02-04	MAN660, 2000-04	019	87
MASSEY FERGUSON				
8013	178, 185, 188	CR 9545, 219545, A885579M91	001	90
8014	265, 255 W/GAS EARLY	CR 9766, 219766, A-531980M94	002	90
8015	MOD. 690	CR 9778, 219778, 1680599M92	003	90
8016	30, 165, 175, 180, 3165 CONTINENTAL & DIESEL	CR 9776, 219776, 197401M91	004	90
8017	255, 265 DIESEL	CR 9837, 219838, 531892M94	005	90
8018	255 DIESEL	CR 9838, 219838, 531892M94	006	90
8019	50E-UK, 270, 275UK, 283-UK, 290-UK, 670	C4 9842, 219842, 3820260M91	007	91
8355	TRACTOR	3808159M3 MASSEY PUMP	008	91
8447	HARRIS MODEL 44	NORTHERN 212087, OEM:763554M91	009	91
8572	Te20, TEA20, TO20, TO30, TO35, 35 GAS, 202 GAS	219560 NORTHERN	010	91
MERCEDES BENZ				
6210	ALEGRO BUS 01-02	NATIONAL MARKET	011	91
6238	TORINO 00-07 URBAN		012	91

CODE PHAR	APPLICATION	REFERENCES	DRAW NUMBER	PAGE
8141	BUSINESS CLASS M2 2008	B 9688, 20050513055325	013	92
8156	BUS ACTROS, SETRA		014	92
8185	M2, MC, MM 06-09	NORTHERN 239130, FRE41	015	92
8186	M2 BUS 04-07	NORTHERN 238617, FRE42, 8000-66-AP	016	92
8207	ZAFIRO 924 08-10		017	92
8216	BUSINESS CLASS M2	B 9688, 20050513055325	018	92
8344	MARCOPOLO TORINO 33A-3047B (SERIE A633500)		019	93
8345	ANDARE AUTOBUS A634501000-1 2000-2006		020	93
8515	ANDARE 2011	SIMILAR 8345	021	93
8529	BOXER / AYCO MAGNO 96-02 MOTORES 190 & 210 H.P.	63424, 97685	022	93
MITSUBISHI				
8525	FORKLIFT	246313/246314	023	93
NEW HOLLAND				
4026	NEW HOLLAND 5110, 5600, 6410, 6600, 6610, 6810, 7410	NORTHERN 219534, 82980245	024	93
8002	TB4, TB6	211021, 82985374	025	94
8093	7810S	NORTHERN 211012	026	94
8213	TRACTOR	82988918	027	94
8432	TRACTOR	C.N.H. 929892 (Tt75)	028	94
8492	TRACTOR S10	82988918	029	94
8571	AGRICOLA	219556 NORTHERN	030	94
NISSAN				
8099	FORKLIFT	ACTIVE 41067	001	96
8212	URVAN 04-09	Ns036, 37629, LHRP663-1	002	96
8220	FORKLIFT	246117 NORTHERN	003	96
8329	URVAN DIESEL MODEL 2008-2010	NATIONAL MARKET	004	96
8415	LIFT TRUCK		005	96
8430	LIFT TRUCK	NORTHERN	006	96
NOVA BUS				
8263	95-00	NORTHERN 239062, NOV01	007	97
PETERBILT				
8036	357, 375, 379, 83-85	7700-06, PET06, 2101-3701, 239310	008	97
8046	330 SERIES	770003ST, 770004ST, PET04, 239389, 07-06875A-001, 0706875A-90	009	97
8062	379 SERIES T-300 2003	770005, 3E10673D, PET05, 239207	010	97
8076	LOW FLOW	PET12	011	97
8110	387 SERIES FITS EARLY	7700-09, 2001-3703, 239206, PET13	012	97
8128	357, 375, THRU 379 & 385	239208, PET14	013	98
8135	387 SERIES	OEM 1A19618, 0706657A05S, PET15, 93LPM	014	98
8276	PETERBILT 389	OEM 239169, 770017	015	98
8286	387 WITH CAC C13, C15	239132 NORTHERN	016	98
8321	T-680, T-880, T-2000 08-14/ 365, 367, 387, 587 11-12	NORTHERN 239168, 2001-3705, 770015, PET17, OEM: F3160891233640	017	98
8373	T-400, T-800, W-900/384, 386, 389 08-13	NORTHERN 239186, 559186, PET20, Pb66, 770021, 2001-2512	018	98
8456		770032 NORTHERN	019	99
8460	357 03-06 & 385 W/CUMMINS 03-07	NORTHERN 238640, 7700-32, PET23, 0706657A047	020	99
8472	320/HEAVY DUTY TRUCK 93-07	239037	021	99
8499	379 EX & XL SPECIAL EDITION 07-10	NORTHERN 238819, 7700-415, OEM:0706657A073	022	99
SCANIA				
8039	BUS 2003	NATIONAL MARKET	001	102
SPECIAL				
8087	TRANSIT BUS	TB8087	002	102
8088			003	102
8301	FedEx X99-04		004	102
8305	KUBOTA		005	102
8396	EXPANSION TANK		006	102
TOYOTA				
8033	TACOMA 95-04	1778 DPI	007	103
8034	TACOMA 95-04	1774 DPI	008	103
8040	PICK UP 89-95	1190 DPI	009	103
8042	FORKLIFT	4100-03, LIF03, 246011, 16410 - U2200-71	010	103
8043	FORKLIFT	4100-05, LIF05, 246130, 16410 - U2170-71	011	103
8099	FORKLIFT	ACTIVE 41067	012	103
8330	7FDU251 DZ FORKLIFT 1997-2000	246130, 16410-U2170	013	104
TOM BUS				
8112	THOMAS BUS	TB 8112	001	106
TREN MOTRIZ				
8045	BUS F-11	NATIONAL MARKET	002	106
TUG				
8108	AIRPORT VEHICLE	TUG01	003	106
8177	AIRPORT	232127	004	106
8196	TOWING AIRPORT	281423 TUG	005	106
8219	AIRPORT VEHICLE	TUG01	006	106
UPS				
8092		UPS	001	108
VOLKSWAGEN				

CODE PHAR	APPLICATION	REFERENCES	DRAW NUMBER	PAGE
8232	WORKER	VW17-250, 2VR121253	002	108
8500	WORKER 09-12	VW17-250, 2VR121253	003	108
VOLVO				
6003	VN, VNL, SERIES TRUCK 2000	8000-09, VOL09, 2001-4603, 239381, 8000-09WF, 239332, VOL09F	004	108
6027	W/A SERIES TRUCK	SRM6027-N, 239335, VOL42	005	108
8035	BUS 7550 01-03		006	108
8075	VN SERIES 03-07 / MACK CHN / CXN 05-07	NORTHERN 239211	007	109
8100	VHD SERIES 2004-2005	VOL44, OEM B208426	008	109
8104	WG SERIES HIGH FLOW	8029741, 8000-01, 8000-01WF, 2001-4601, 239380, 437125, VOL10F, VG72	009	109
8109	WG SERIES	OEM 1676009, VOL11, 239210, 437358S, 800011	010	109
8120	VLE F-180	OEM: VG8120	011	109
8140	FOREIGN BUS 9700 04-05	VOLVO D340, EURO3 425HP	012	109
8146	URBAN MICROBUS AUTOBUS 7300 MOT. HP 4700...		013	110
8170	NL-10/NL-12 96 & NEWERS	REA 42-10257	014	110
8172	VNL/VNM/VNL42/VNL64 08-17	NORTHERN 239128, SPECTRA 2001-4608	015	110
8202	BUS	VOL18, 800018	016	110
8217	RADIATOR WG SERIES 95-01	NORTHERN 239210, REA42-10206	017	110
8235	TRUCK	AK 5735	018	110
8293	SERIES W, M14 01-13	NORTHERN 239066, OEM: 559066	019	111
8353	SHN SERIES 08-10	ACTIVE 730018U, AKM5781, 239182 NORTHERN, OEM 21095128	020	111
8530	XPEDITOR	1992/2008 DURALITE	021	111
WAW				
8257	2007-2009	NATIONAL MARKET	001	114
WESTERN STAR				
8200	MODEL 4964 EX LOWMAX 03-05	WES13, 800013, WS01	002	114
8473	4900 SERIES WA-WB MODELS 07-14	NORTHERN 238688, WS05, 800086, OEM:1A19720, 052315001	003	114
8514	85-02 4900 SERIES, 95-01 5900 & 69 SERIES	238600	004	114
8541	MOTOR MERCEDES 12.8 L	4900FR	005	114
YALE				
6021	FORKLIFT MOTOR MAZDA	4100-20, 4100-21, 246124	006	114
6108	FORKLIFT GM ENGINE	4100-18, 246122, 4100-19, 246123	007	115
8228	FORKLIFT	WORKS 4196	008	115
8243	FORKLIFT H45-65XM (DIESEL)	246299 NORTHERN	009	115
8311	H25-35XM, 560ES/504XMS	246086	010	115
8531	LIFT TRUCK & FORKLIFT	NORTHERN 246213, 1329169	011	115
8560	LIFT TRUCKS	246268 NORTHERN	012	115
INDUSTRIAL				
1406	LINCOLN WEDLER	G10877198	001	118
8098	CLARK AIRPORT CAR		002	118
8118	POWER UNIT	JD-07-4	003	118
8119	POWER UNIT	JD-09-4	004	118
8129	POWER UNIT	JD-04-4	005	118
8130	POWER UNIT	JD-02-3	006	118
8154	ACCESORY	ACCESORIES FOR: P/N 8094 RADIATOR	007	119
8155	ENERGY PLANT	W 3712	008	119
8162	POWER UNIT GMC	450027, 450028	009	119
8190	TRANSPORTING BAND OF LUGGAGE (AIRPORT)		010	119
8218	POWER UNIT H-50	H50 BGR	011	119
8221	V17 POWER UNIT		012	119
8230	COMPRESSOR	RP5-028	013	120
8277	POWER UNIT		014	120
8290	RW-12937	X9903, CAPACITY #137200	015	120
8291	RW-12938	X9902, CAPACITY #128761	016	120
8292	RW-12939	X9901, CAPACITY #132069	017	120
8302	POWER UNIT	P/N 3100110, SERIAL N° H 111237	018	120
8304	GM POWER UNIT		019	121
8324	POWER UNIT	JD-03-3	020	121
8326	POWER UNIT	P/N DR3045, SERIAL 498299	021	121
8332	GENERATOR 250 KW		022	121
8336	COMPRESSOR ATLAS COPCO (S.L.P.)	NATIONAL MARKET	023	121
8361	BUS	62192058, IA19125	024	121
8389		31040 BGR	025	122
8390		31134 BGR	026	122
8399	SURGE TANK		027	122
8400	INDUSTRIAL		028	122
8403		79000369	029	122
8405	INDUSTRIAL		030	122
8406	INDUSTRIAL		031	123
8407	INDUSTRIAL	BGR 9172012A (V12)	032	123
8414			033	123
8417	INDUSTRIAL	BARNES 31100113	034	123
8418		BGR 32143	035	123
8431	INDUSTRIAL	RON-32779 B.G.R.	036	123

CODE PHAR	APPLICATION	REFERENCES	DRAW NUMBER	PAGE
8434	GENERATING ELECTRICAL PLANT		037	124
8453	INDUSTRIAL	BGR 33714	038	124
8458	INDUSTRIAL POWER UNIT	BARNES Kr2 3XNV88	039	124
8476	INDUSTRIAL		040	124
8477	INDUSTRIAL	BGR	041	124
8478	LIFT TRUCK	246075	042	124
8489	KR-7L	31100035	043	125
8491	KR-3	31100038	044	125
8493	INDUSTRIAL	33961	045	125
8494	INDUSTRIAL	BGR	046	125
8495	INDUSTRIAL	33990	047	125
8498	INDUSTRIAL	34238	048	125
8506	INDUSTRIAL		049	126
8516	INDUSTRIAL	POWER UNIT	050	126
8517	INDUSTRIAL	V 25 BD	051	126
8520	INDUSTRIAL	35542	052	126
8522	INDUSTRIAL	BGR V18	053	126
8523	INDUSTRIAL	V 20 DD	054	126
8526	INDUSTRIAL B.G.R.	4L3779	055	127
8532	INDUSTRIAL	Vo7 7.5 HP 300 HP VGR	056	127
8533	INDUSTRIAL	BT-0005-GR BGR	057	127
8534	INDUSTRIAL	BT-0043-65 BGR	058	127
8537	INDUSTRIAL	5HP 75HP 10HP BGR	059	127
8538	INDUSTRIAL	BTCU-GTA 12 BGR	060	127
8540	INDUSTRIAL	H50 BGR	061	128
8542	INDUSTRIAL	BT-0028-4R BGR	062	128
8543	INDUSTRIAL	BT-0049-5I BGR	063	128
8546	INDUSTRIAL	BTCU-00855 BGR	064	128
8547	AJAX OIL PUMP WITH 7.25L., 8.5L ENGINES	NORTHERN 245968	065	128
8566		38296-1V-15 BGR	066	128
8567		BT-0006-81 BGR	067	129
8569		BT-0078-81 BGR	068	129
8574		BT-0079-8M BGR	069	129
8575		BT-0035-7R BGR	070	129
8576		BT-0054-61 BGR	071	129
8578		BT-0075-81 BGR	072	129
8581		BT-0083-6Y BGR	073	130
8582		BT-0081-6Y BGR	074	130
8583	INDUSTRIAL	V-10 BGR	075	130
8584	INDUSTRIAL	BT-0086-51	076	130
8585	INDUSTRIAL	BT-0087-6Y BGR	077	130
8586	INDUSTRIAL	BT-0074-7M BGR	078	130
8587	INDUSTRIAL	39007-1 BGR	079	131
8588	INDUSTRIAL	ROCK CRUSHER NORTHERN	080	131
8589	INDUSTRIAL	39007-1 BGR	081	131
8593	INDUSTRIAL	BT-0096-6Y BGR	082	131
8594	INDUSTRIAL	BT-0017 BGR	083	131
8596	INDUSTRIAL	BT-0045-4I5I	084	131
8598	INDUSTRIAL	BT-0089-6Y BGR	085	132
8599A	INDUSTRIAL	BT-0039A-71 BGR	086	132
8599	INDUSTRIAL	BT-0039B-71 BGR	087	132
8600AC/JW-8	INDUSTRIAL	BT-0101-81 BGR	088	132
8604	INDUSTRIAL	BT-0009-5N BGR	089	132
OIL COOLERS				133
ALLUMINIUM				
A5967	SERIES 2500, 2600, 8200, 9200, 9300, 9400		001	135
A6003	VN, VNL SERIES TRUCK 2000	8000-09, VOL09, 2001-4603, 239381, 8000-09 WF, 239332, VOL09F	002	135
A6120	TRUCK 98-02, CENTURY CLASS COLUMBIA	437157TNP	003	135
A8035	BUS 7550 01-03		004	135
A8039	P94 / P114 / P144 / P124 / 95-03		005	135
A8042	LIFT TRUCK		006	135
A8047	CENTURY CLASS COLUMBIA 98-02		007	136
A8059	COLUMBIA	800022, FRE22, 239336, SRM8056-F, FRE22F	008	136
A8075	CNX VISION/VN SERIES AUT	800040, VOL40, 239311, 80040WF, 2001-4605	009	136
A8091	CX / ZXN 612		010	136
A8107	SERIES 8100, 4900, 500 SFA		011	136
A8202	BUS VOL 18,800018		012	136
A8238			013	137
A8240	SERIES 9800		014	137
CHARGE AIR COOLERS				138

VT

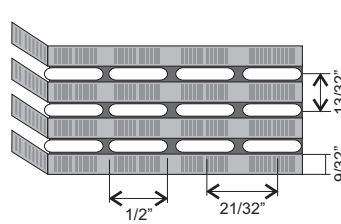


FPI 11

CORE THICKNESS	ROWS
1 1/4"	2
1 7/8"	3
2 5/8"	4

Tube 1/2" pass by 9/16" fin with double grid COPPER.
Recommended for any use, except industrial and caterpillar.

VTR

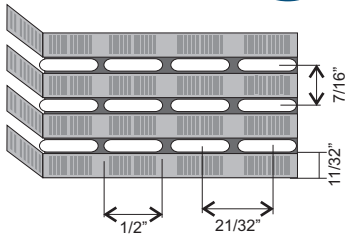


FPI 17

CORE THICKNESS	ROWS
1 1/4"	2
1 7/8"	3
2 5/8"	4

Tube 1/2" pass by 13/32", multi-grid fin COPPER.
Recommended for any use, except industrial and caterpillar.

VTU

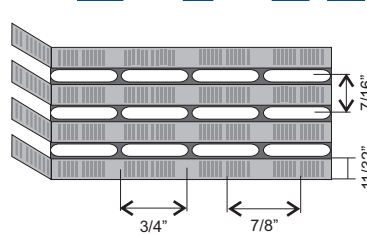


FPI 14

CORE THICKNESS	ROWS
1 1/4"	2
1 7/8"	3
2 5/8"	4

Tube 1/2" pass by 7/16" fin with double grid COPPER.
Recommended for any use, except industrial and caterpillar.

VTW

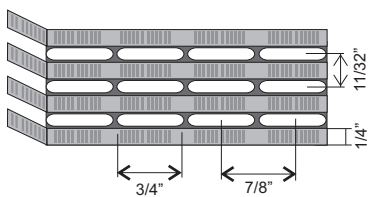


FPI 14

CORE THICKNESS	ROWS
7/8"	1
1 3/4"	2
2 9/16"	3
3 1/2"	4

Tube 3/4" pass by 7/16", fin with grid COPPER.
Recommended for any use, except industrial and caterpillar.

VTX

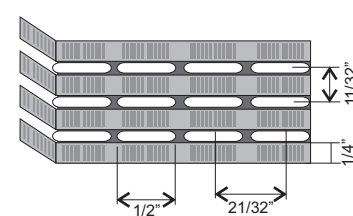


FPI 18

CORE THICKNESS	ROWS
7/8"	1
1 3/4"	2
2 9/16"	3
3 1/2"	4

Tube 3/4" pass by 11/32" fin with double grid COPPER.
Recommended for any use, except industrial and caterpillar.

VTM



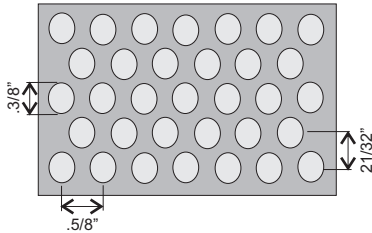
FPI 18

CORE THICKNESS	ROWS
1 1/4"	2
1 7/8"	3
2 5/8"	4

Tube 1/2" pass by 11/32" fin with double grid COPPER.
Recommended for any use, except industrial and caterpillar.

K

A = 6 FPI / C = 8 FPI / E = 10 FPI

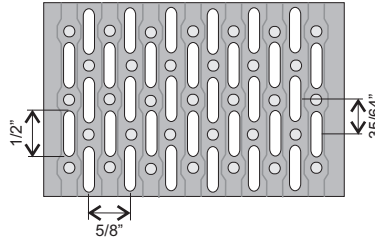


CORE THICKNESS	ROWS
1 5/8"	2
2 1/4"	3
2 7/8"	4
3 1/2"	5
4"	6
4 5/8"	7

Copper tube round caliber 0.025", diameter 3/8", step 5/8" fin smooth COPPER
Highly recommended for oil coolers.

N

A = 6 FPI / C = 8 FPI / E = 10 FPI

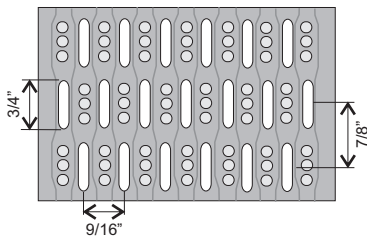


CORE THICKNESS	ROWS
1 1/8"	2
1 5/8"	3
2 1/8"	4
2 5/8"	5
3 1/8"	6
3 5/8"	7
4 1/8"	8

Tube 1/2" pass by 5/8" drawing fin and with BRASS rib, COPPER.
Recommended for industrial use, agricultural, bus, for lift and stationary.

O

A = 6 FPI / C = 8 FPI / E = 10 FPI

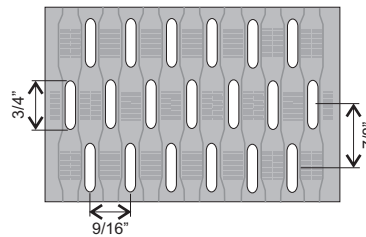


CORE THICKNESS	ROWS
2 11/16"	3
3 9/16"	4
4 7/16"	5
5 5/16"	6
6 1/4"	7

Tube 3/4" pass by 9/16" drawing fin with BRASS rib, COPPER
Recommended for industrial use, agricultural, bus, for lift and stationary.

P

A = 6 FPI / C = 8 FPI / E = 10 FPI

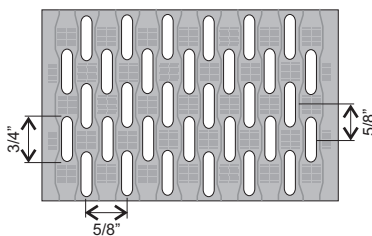


CORE THICKNESS	ROWS
2 11/16"	3
3 9/16"	4
4 7/16"	5
5 5/16"	6
6 1/4"	7

Tube 3/4" pass by 9/16" fin with double grid, COPPER.
Recommended for bus, truck and truck tractor.

R

A = 6 FPI / C = 8 FPI / E = 10 FPI

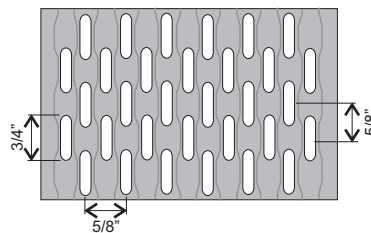


CORE THICKNESS	ROWS
1 5/8"	2
2 1/4"	3
2 7/8"	4
3 1/2"	5
4"	6
4 5/8"	7

Tube 3/4" pass by 5/8" fin with double grid and COPPER rib.
Recommended for bus, truck and truck tractor.

X

A = 6 FPI / C = 8 FPI / E = 10 FPI

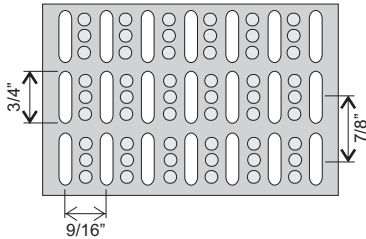


CORE THICKNESS	ROWS
1 5/8"	2
2 1/4"	3
2 7/8"	4
3 1/2"	5
4"	6
4 5/8"	7

Tube 3/4" pass by 5/8" fin smooth and with BRASS rib, COPPER
Recommended for industrial use, agricultural, bus, for lift and stationary.

H

A = 6 FPI / C = 8 FPI / E = 10 FPI

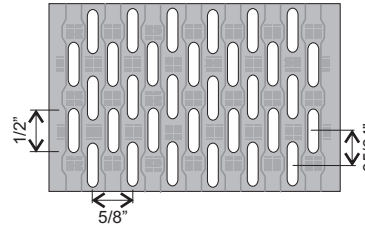


CORE THICKNESS	ROWS
2 11/16"	3
3 9/16"	4
4 7/16"	5
5 5/16"	6
6 1/4"	7

Tube 3/4" on line, pass by 9/16" drawing fin, of STEEL, BRASS, COPPER
 Recommended for industrial use, agricultural, bus, for lift and stationary.

I

A = 6 FPI / C = 8 FPI / E = 10 FPI

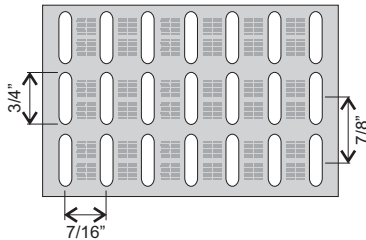


CORE THICKNESS	ROWS
1 9/32"	2
1 13/16"	3
2 11/32"	4
2 7/8"	5
3 7/16"	6
4"	7
4 1/2"	8

Tube 1/2" pass by 5/8" fin with double grid and with COPPER ribs
 Recommended for bus, truck and truck tractor.

W

A = 6 FPI / C = 8 FPI / E = 10 FPI

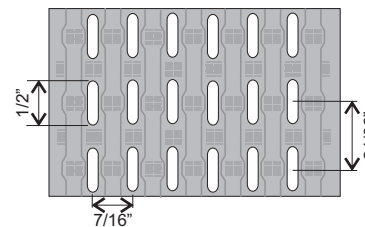


CORE THICKNESS	ROWS
1 7/8"	2
2 3/4"	3
3 5/8"	4
4 1/2"	5

Tube 3/4" pass by 7/16" fin with double grid and COPPER ribs
 Recommended for bus, truck and truck tractor.

M

A = 6 FPI / C = 8 FPI / E = 10 FPI

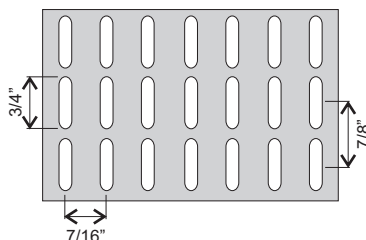


CORE THICKNESS	ROWS
1 7/16"	2
2 1/8"	3
2 3/4"	4
3 7/16"	5
4 1/16"	6
4 3/4"	7
5 3/8"	8

Tube 1/2" pass by 7/16", fin with double grid and COPPER ribs
 Recommended for bus, truck and truck tractor.

Z

A = 6 FPI / C = 8 FPI / E = 10 FPI

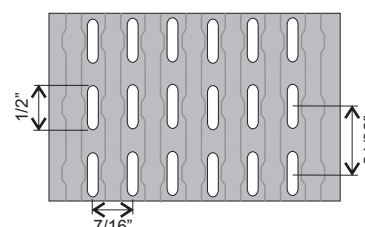


CORE THICKNESS	ROWS
1 7/8"	2
2 3/4"	3
3 5/8"	4
4 1/2"	5

Tube 3/4" on line, pass by 7/16", fin smooth of COPPER
 Recommended for industrial use, agricultural, bus, for lift and stationary.

T

A = 6 FPI / C = 8 FPI / E = 10 FPI



CORE THICKNESS	ROWS
1 7/16"	2
2 1/8"	3
2 3/4"	4
3 7/16"	5
4 1/16"	6
4 3/4"	7
5 3/8"	8

Tube 1/2" on line, pass by 7/16", smooth fin of COPPER
 Recommended for industrial use, agricultural, bus, for lift and stationary.

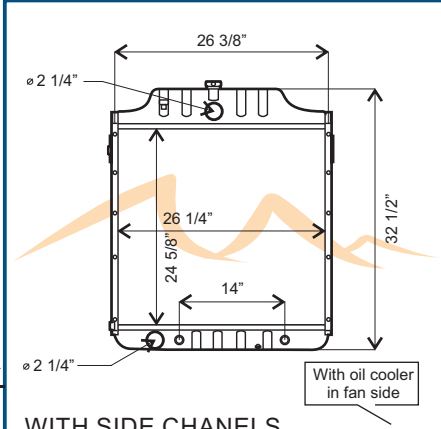
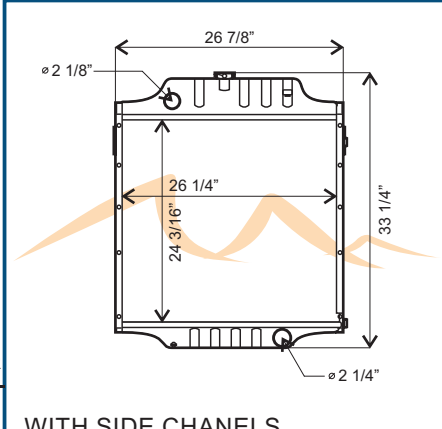
Radiators

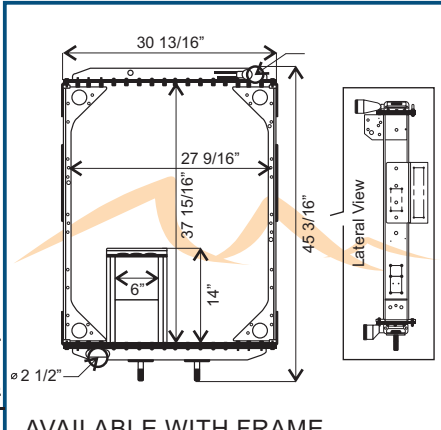
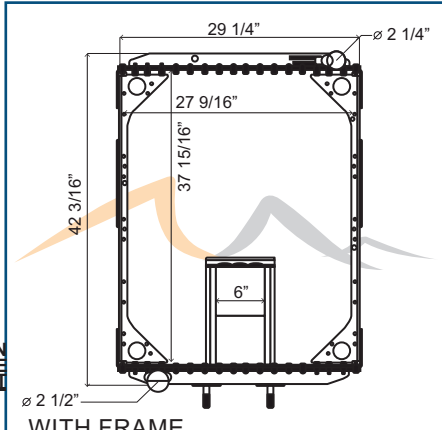





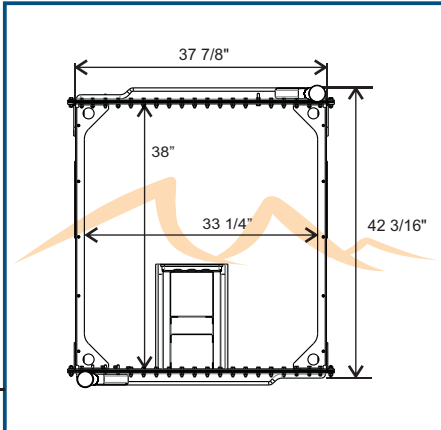
PHAIR

**ALLIS CHALMERS
AUTOCAR**

2018

8020	ALLIS CHALMERS	8021	ALLIS CHALMERS
CAZE-4	7030, 7040, 7050, 7060	CXE-3	7000
<p>CORE SIZE: 24 5/8" X 26 1/4" INLET: 2 1/4" OUTLET: 2 1/4" OIL COOLER: YES REFERENCE: CR 9753 219753 70269240 70267979</p>		<p>CORE SIZE: 24 3/16" X 26 1/4" INLET: 2 1/8" OUTLET: 2 1/4" OIL COOLER: NO REFERENCE: CR 9754 219754 OE#70260432</p>	
001	AT	002	MT
WITH SIDE CHANNELS		WITH SIDE CHANNELS	

8282	AUTOCAR	8376	AUTOCAR
CVTU-5	XPEDITOR/WX SANITATION TUCKS 04-10	CVTU-5	XPEDITOR WX SANITATION TRUCKS 92-09
<p>CORE SIZE: 37 15/16" X 27 9/16" INLET: 2 1/4" OUTLET: 2 1/2" OIL COOLER: NO REFERENCE: NORTHERN 238683, VG8282PTOWF</p>		<p>CORE SIZE: 37 15/16" X 27 9/16" INLET: 2 1/4" OUTLET: 2 1/2" OIL COOLER: NO REFERENCE: NORTHERN 239041, AUTO1, OEM:1003085, 800064</p>	
003	RELEASE: 03/11	004	RELEASE: 04/12
BOLT ON ONE PIECE GASKET		BOLT ON ONE PIECE GASKET	
AVAILABLE WITH FRAME		WITH FRAME	

8457	AUTOCAR	
CVTU-4	WX & ACX SANITATION TRUCK 07-13	 
<p>CORE SIZE: 38" X 33 1/4" INLET: 2 1/4" OUTLET: FLCH OIL COOLER: NO REFERENCE: NORTHERN 238732, 800076, S8076, AUT02</p>		<h1>SCAN OUR QR CODE</h1>
005	RELEASE: 04/14	

Radiators



PHAIR

**BLUE BIRD
BOBCAT
CASE**

2018

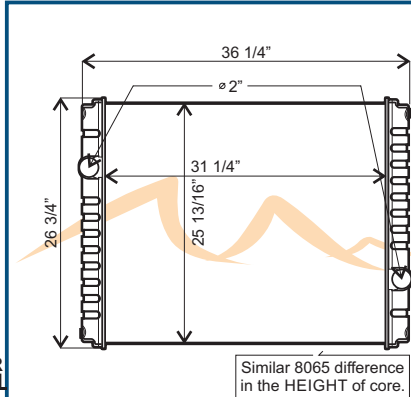
8223

BLUE BIRD

CTVTU-3/CTVTM-3

REAR ENGINE BUSES 96-05

CORE SIZE:
31 1/4" X 25 13/16"
INLET:
2"
OUTLET:
2"
OIL COOLER:
NO
REFERENCE:
NORTHERN
239294, BLU07



SOLDER ON

001 RELEASE: 07/09

MT

WITHOUT FRAME

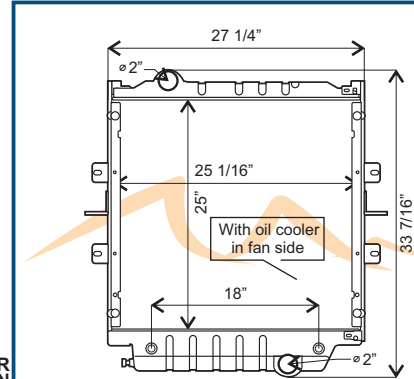
8233

FORD/BLUE BIRD

CAVTU-3

MOTORHOME/SCHOOL VISION 03-05

CORE SIZE:
25" X 25 1/16"
INLET:
2"
OUTLET:
2"
OIL COOLER:
YES
REFERENCE:
310011 WF
BLU08
AK 5755



SOLDER ON

002 RELEASE: 11/09

AT

WITH FRAME

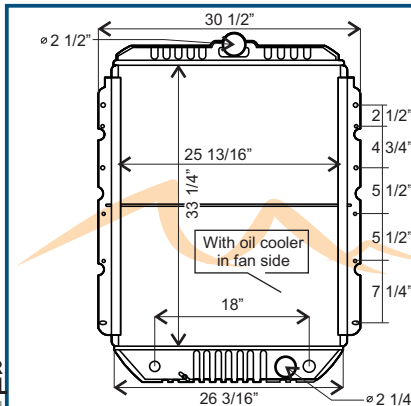
8264

BLUE BIRD

CAVTU-3/CAVTU-4/
CAVTM-3

BUS

CORE SIZE:
33 1/4" X 25 13/16"
INLET:
2 1/2"
OUTLET:
2 1/4"
OIL COOLER:
YES 101002
REFERENCE:
S-3112
310012
238567



SOLDER ON

003 RELEASE: 11/09

AT

WITH SIDE CHANNELS

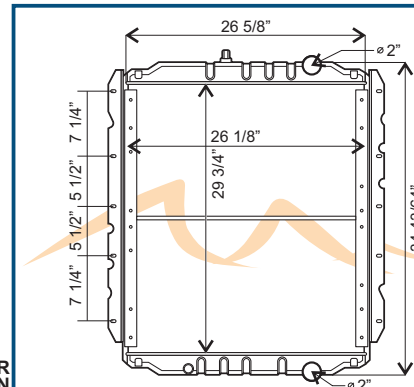
8265

BLUE BIRD

CVTM-3

TC SERIES/CARPENTER BUS 93-03

CORE SIZE:
29 3/4" X 26 1/8"
INLET:
2"
OUTLET:
2"
OIL COOLER:
NO
REFERENCE:
NORTHERN
239280, 2001-5102
BLU03



SOLDER ON

004 RELEASE: 05/10

MT

WITH SIDE CHANNELS

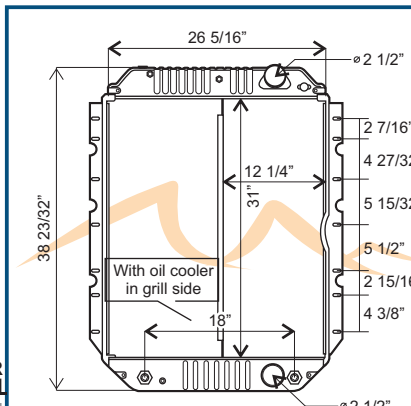
8294

INTERNATIONAL/NAVISTAR BLUE BIRD

CAVTU-4

9400 94-05/ GENESIS FC BUS 96 & NEWERS

CORE SIZE:
31" X 12 1/4"
INLET:
2 1/2"
OUTLET:
2 1/2"
OIL COOLER:
YES 101002
REFERENCE:
NORTHERN 238545,
INT65, S6479,
OEM:0316727



SOLDER ON

005 RELEASE: 05/10

AT

WITH SIDE CHANNELS

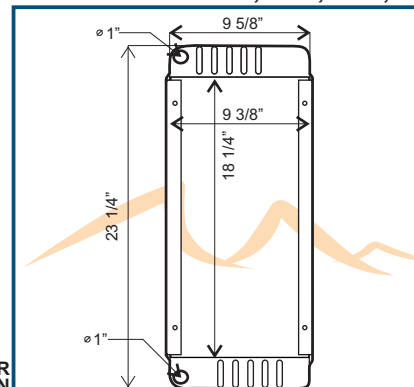
8068

BOBCAT

CVT-4

SKID STEER 443,443B,543,
543B,553C,553G,553F

CORE SIZE:
18 1/4" X 9 3/8"
INLET:
1"
OUTLET:
1"
OIL COOLER:
NO
REFERENCE:
CR 9877
6678670
6563691

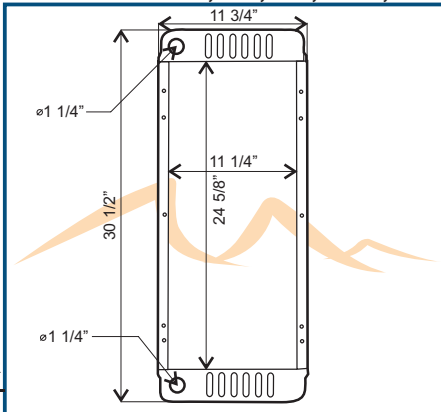
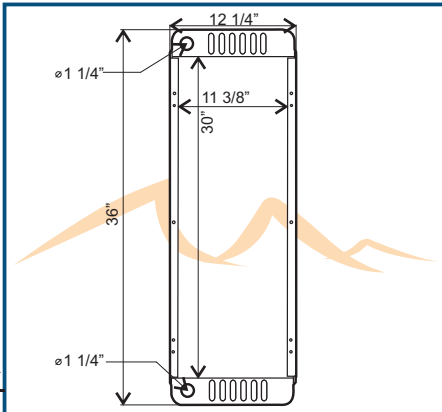


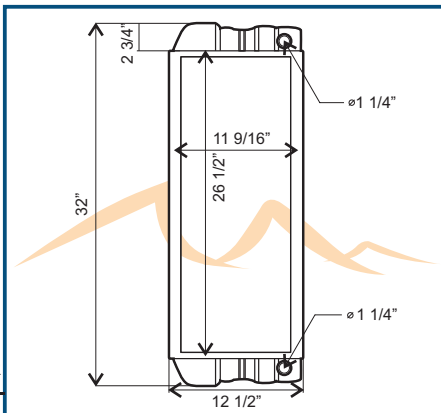
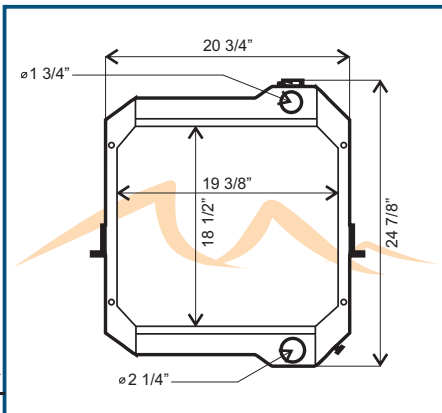
SOLDER ON

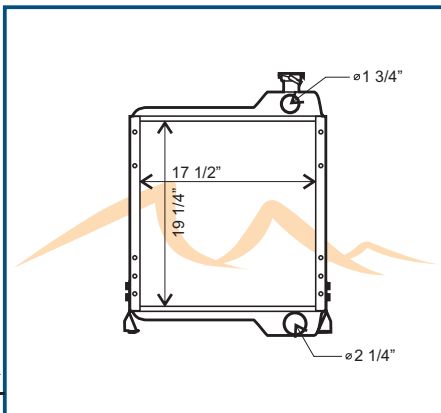
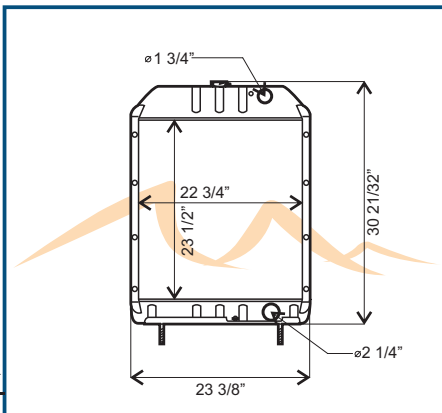
006

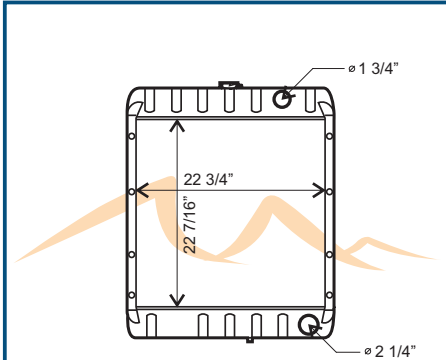
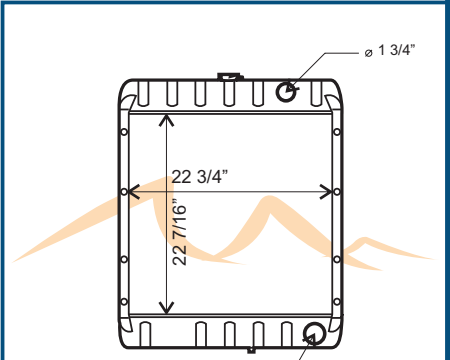
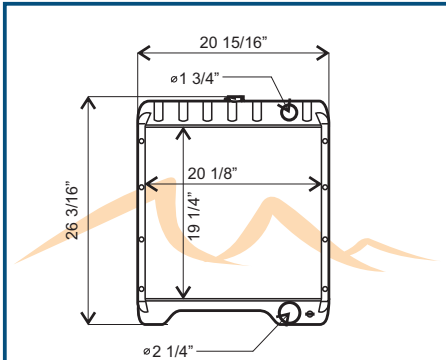
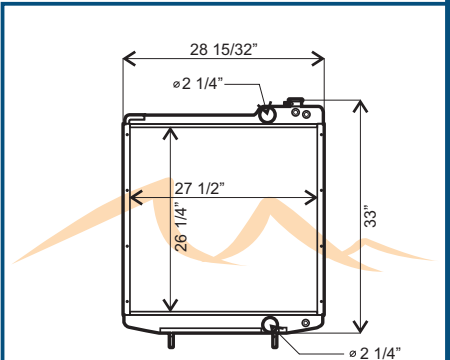
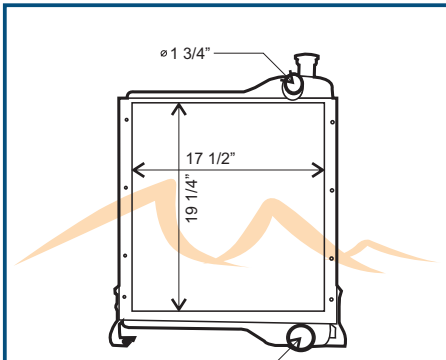
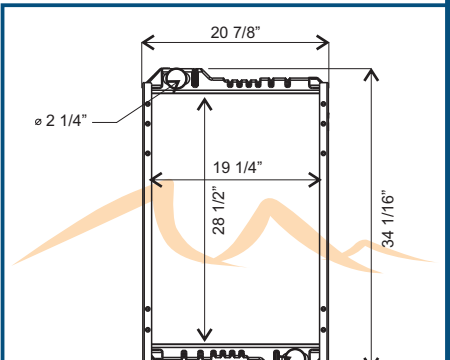
MT

WITH SIDE CHANNELS

<h3>8069</h3> <p>CXA-4</p> <p>CORE SIZE: 24 5/8" X 11 1/4" INLET: 1 1/4" OUTLET: 1 1/4" OIL COOLER: NO REFERENCE: CR 9878 6571713</p> <p>007</p>	<p>BOBCAT</p> <p>SKID STEER 642,642B, 643,722,742,742B,743</p>  <p>WITH SIDE CHANNELS</p>	<h3>8070</h3> <p>CTA-4</p> <p>CORE SIZE: 30" X 11 3/8" INLET: 1 1/4" OUTLET: 1 1/4" OIL COOLER: NO REFERENCE: CR 9879 6648820</p> <p>008</p>	<p>BOBCAT</p> <p>SKID STEER 743B, 743DS</p>  <p>WITH SIDE CHANNELS</p>
--	--	--	---

<h3>8071</h3> <p>CVT-4</p> <p>CORE SIZE: 26 1/2" X 11 9/16" INLET: 1 1/4" OUTLET: 1 1/4" OIL COOLER: NO REFERENCE: CR 9882 6666348</p> <p>009</p>	<p>BOBCAT</p> <p>751, 753, 763, 773, 7753 SERIES</p>  <p>WITH SIDE CHANNELS</p>	<h3>6205</h3> <p>CTC-5/CTE-6 CXC-6/CXC-7</p> <p>CORE SIZE: 18 1/2" X 19 3/8" INLET: 1 3/4" OUTLET: 2 1/4" OIL COOLER: NO REFERENCE: 4100-43 CR 9952 A-234876A1 DPI</p> <p>010</p>	<p>CASE</p> <p>CONSTRUCTION 96 MOD. 570, 580L, 590L</p>  <p>WITH FRAME</p>
---	---	---	--

<h3>8005</h3> <p>CTE-4</p> <p>CORE SIZE: 19 1/4" X 17 1/2" INLET: 1 3/4" OUTLET: 2 1/4" OIL COOLER: NO REFERENCE: CR 9888 21988 136839A1 A-84673C6</p> <p>011</p>	<p>CASE</p> <p>4210, 4230, 4240 MOD. 585, 595, 685, 695</p>  <p>WITH SIDE CHANNELS</p>	<h3>8006</h3> <p>CTC-5</p> <p>CORE SIZE: 23 1/2" X 22 3/4" INLET: 1 3/4" OUTLET: 2 1/4" OIL COOLER: NO REFERENCE: CR 9887 171653REF 219887</p> <p>012</p>	<p>CASE/IH</p> <p>TRACTOR 1896-2096</p>  <p>WITH SIDE CHANNELS</p>
---	---	---	---

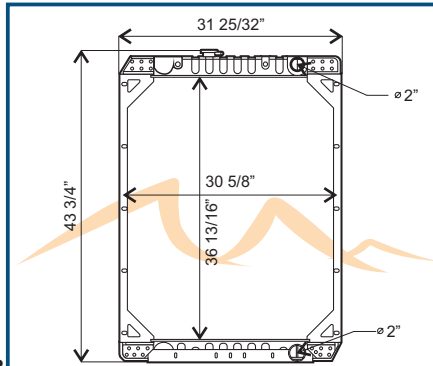
<h3>8007</h3> <p>CASE</p> <p>CTA-4/CNC-7</p> <p>CORE SIZE: 22 7/16" X 22 3/4" INLET: 1 3/4" OUTLET: 2 1/4" OIL COOLER: NO REFERENCE: 172534</p>  <p>013 MT WITH SIDE CHANNELS</p>	<h3>8008</h3> <p>CASE</p> <p>CTC-3/CTC-4</p> <p>CORE SIZE: 22 7/16" X 22 3/4" INLET: 1 3/4" OUTLET: 2 1/4" OIL COOLER: NO REFERENCE: 184062</p>  <p>014 MT WITH SIDE CHANNELS</p>
<h3>8009</h3> <p>CASE</p> <p>CTC-6/CTC-7</p> <p>590 TURBO</p> <p>CORE SIZE: 19 1/4" X 20 1/8" INLET: 1 3/4" OUTLET: 2 1/4" OIL COOLER: NO REFERENCE: CR 9729 219729 A189481</p>  <p>015 MT WITH SIDE CHANNELS</p>	<h3>8056</h3> <p>CASE/IH</p> <p>CNC-6/CNC-7</p> <p>7110-7140, 7210-7240 SERIES</p> <p>CORE SIZE: 26 1/4" X 27 1/2" INLET: 2 1/4" OUTLET: 2 1/4" OIL COOLER: NO REFERENCE: CR 9531 A190663</p>  <p>016 MT WITH SIDE CHANNELS</p>
<h3>8060</h3> <p>CASE/IH</p> <p>CNE-6</p> <p>585, 595, 895, 695, 885</p> <p>CORE SIZE: 19 1/4" X 17 1/2" INLET: 1 3/4" OUTLET: 2 1/4" OIL COOLER: NO REFERENCE: CR 9540 8467366</p>  <p>017 MT WITH FRAME</p>	<h3>8079</h3> <p>CASE</p> <p>CUC-6TT</p> <p>Mx150, Mx200, MX220</p> <p>CORE SIZE: 28 1/2" X 19 11/16" INLET: 2 1/4" OUTLET: 2 1/4" OIL COOLER: NO REFERENCE: NORTHERN 211095</p>  <p>018 RELEASE: 11/14 WITH SIDE CHANNELS</p>

8208 CASE IH/INTERNATIONAL

CNA-8/CTA-8

CORE SIZE:
36 13/16" X 30 5/8"
INLET:
2"
OUTLET:
2"
OIL COOLER:
NO
REFERENCE:
NORTHERN 219958
116154A1-117403A1

COMBINE 1688-2144



SOLDER ON

019 RELEASE: 05/09

MT

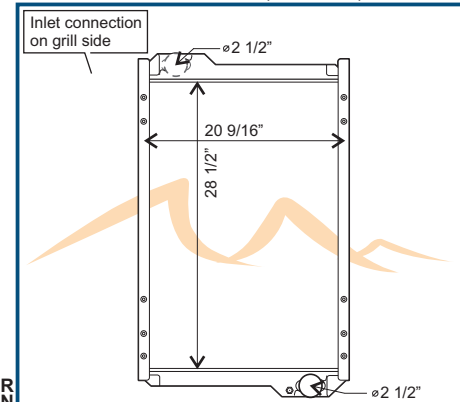
WITH FRAME

8242 CASE/IH

CME-6/CUE-6TT

CORE SIZE:
28 1/2" X 20 9/16"
INLET:
2 1/2"
OUTLET:
2 1/2"
OIL COOLER:
NO
REFERENCE:
211094 NORTHERN

TRACTOR MODELS MX210, MX230, MX255, MX285



SOLDER ON

020 RELEASE: 03/14

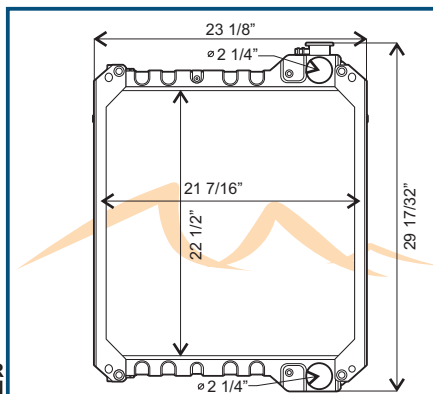
AVAILABLE WITH FRAME

8250 CASE IH

CTE-6

CORE SIZE:
22 1/2" X 21 7/16"
INLET:
2 1/4"
OUTLET:
2 1/4"
OIL COOLER:
NO
REFERENCE:
211037 NORTHERN

MX 100 TRACTOR



SOLDER ON

021 RELEASE: 03/10

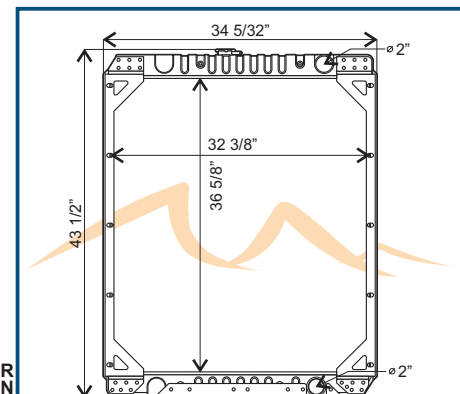
WITH SIDE CHANNELS (BOLT ON)

8253 CASE IH

CTA-7

CORE SIZE:
36 5/8" X 32 3/8"
INLET:
2"
OUTLET:
2"
OIL COOLER:
NO
REFERENCE:
219959 NORTHERN

COMBINE 194951 A1 2388 98-04



SOLDER ON

022 RELEASE: 03/10

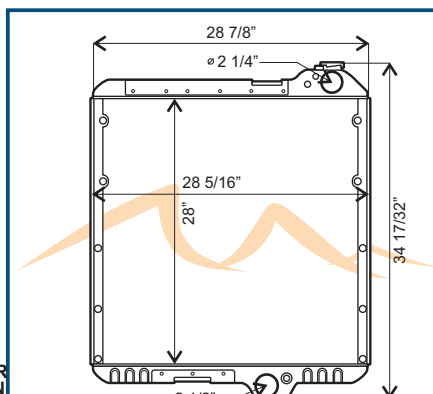
WITH SIDE CHANNELS

8285 CASE IH

CTA-6

CORE SIZE:
28" X 28 5/16"
INLET:
2 1/4"
OUTLET:
2 1/2"
OIL COOLER:
NO
REFERENCE:
219954 NORTHERN
CR 9954

TRACTOR MODELS 7210-7220-7320-7240-7250



SOLDER ON

023 RELEASE: 10/10

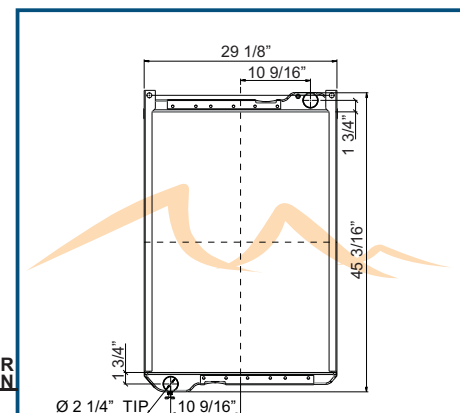
WITH SIDE CHANNELS

8349 CASE-IH

CZA-5

CORE SIZE:
39 3/8" X 27 9/16" X 4 1/2"
INLET:
2 1/4"
OUTLET:
2 1/4"
OIL COOLER:
NO
REFERENCE:
212089 NORTHERN

TRACTOR



SOLDER ON

024

<h3>8356</h3> <p>CTC-5</p> <p>CORE SIZE: 21 1/2" X 17 1/2" INLET: 2 1/4" OUTLET: 2 1/4" OIL COOLER: NO REFERENCE: NORTHERN 211022, OEM: 222892A5, 303495A2</p> <p>025 RELEASE: 04/12</p>	<p style="text-align: center;">CASE</p> <p style="text-align: center;">TRACTOR SERIES C50, Cx50, C60, CX60 C70, Cx70, C80, Cx80, C90, Cx90, C100, CX100</p> <p style="text-align: center;">WITH SIDE CHANNELS</p> <p style="text-align: center;">SOLDER ON</p>	<h3>8437</h3> <p>CTC-6</p> <p>CORE SIZE: 22 1/2" X 21 7/16" INLET: 1 3/4" OUTLET: 2 1/4" OIL COOLER: NO REFERENCE: NORTHERN 211037, 244295A1, 135691A3, 135690A3</p> <p>026 RELEASE: 06/13</p>	<p style="text-align: center;">CASE</p> <p style="text-align: center;">TRACTOR SERIES MX 110, 120, 135, 150, 170 ALSO FITS P140, Px140, P170, Px170, 6591T, 6591TA/IRRIGATION POWER UNITS S140, S170, SE170</p> <p style="text-align: center;">WITH FRAME</p> <p style="text-align: center;">BOLT ON ONE PIECE GASKET</p>
--	---	--	--

<h3>8591</h3> <p>CTC-6</p> <p>CORE SIZE: 28 1/2" X 21 7/16" X 4 1/16" INLET: 1 3/4" OUTLET: 2 1/4" OIL COOLER: NO REFERENCE: RETRO CASE 621E, 721D, 721E 03</p> <p>027</p>	<p style="text-align: center;">CASE</p> <p style="text-align: center;">CONSTRUCTION LEADERS</p>	<p style="text-align: center;">SCAN OUR QR CODE</p>
--	--	--

NOTES

Radiators



PHAIR

CATERPILLAR

2018

8063	CATERPILLAR	8094	CATERPILLAR
CLSOC-5	D-8	CCSNC-8	D-398
CORE SIZE: 44 1/4" X 45" INLET: 2 1/2" OUTLET: 2 1/2" OIL COOLER: NO REFERENCE: BOLT ON ONE PIECE GASKET		CORE SIZE: 38" X 38 1/8" INLET: 3 1/2" OUTLET: 3 1/2" OIL COOLER: NO REFERENCE: 223112 229508 W3705 BOLT ON ONE PIECE GASKET	
001 RELEASE: 10/06 MT	WITH FRAME	002	WITH FRAME

8124	CATERPILLAR	8133	CATERPILLAR
CNC-8		CNC-7/CNC-8	
CORE SIZE: 42 13/16" X 24 3/8" INLET: 2 1/2" OUTLET: 2 1/2" OIL COOLER: NO REFERENCE: W 3708 BOLT ON ONE PIECE GASKET		CORE SIZE: 38" X 36 1/4" INLET: 2 1/2" OUTLET: 2 1/2" OIL COOLER: NO REFERENCE: W 3701 3608 272577 BOLT ON ONE PIECE GASKET	
003 RELEASE: 05/08 MT	WITH FRAME	004	WITH FRAME

8134	CATERPILLAR	8137	CATERPILLAR
CNE-5		CCSNC-7/CCSNC-8	
CORE SIZE: 27" X 21 1/4" INLET: 2" OUTLET: 2" OIL COOLER: NO REFERENCE: W 3702 BOLT ON ONE PIECE GASKET		CORE SIZE: 51" X 47 1/2" INLET: 2" OUTLET: 2" OIL COOLER: NO REFERENCE: W 3704 3412GEN SET 223072 BOLT ON ONE PIECE GASKET	
005 MT	WITH FRAME	006	WITH FRAME

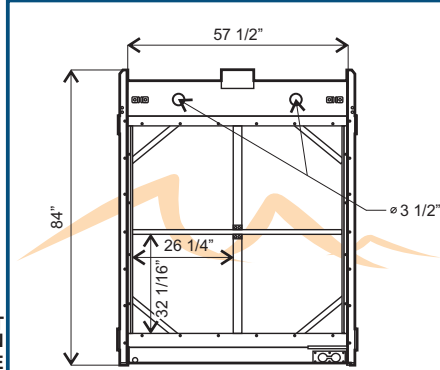
8139

CATERPILLAR

CCSNC-8

D-379

CORE SIZE:
32 1/16" X 26 1/4"
INLET:
3 1/2" (2)
OUTLET:
BRIDA
OIL COOLER:
NO
REFERENCE:
223110



BOLT ON
ONE PIECE
GASKET

007 RELEASE:
12/07

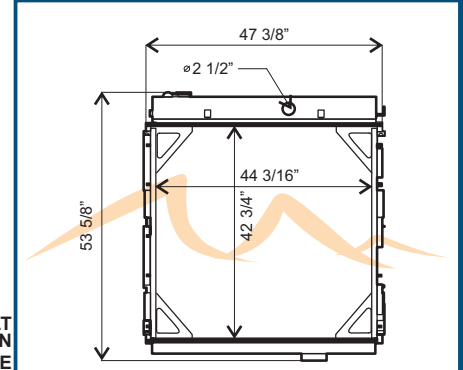
WITH FRAME

8144

CATERPILLAR

CCSTC-8

CORE SIZE:
42 3/4" X 44 3/16"
INLET:
2 1/2"
OUTLET:
OIL COOLER:
REFERENCE:



BOLT ON
ONE PIECE
GASKET

008 RELEASE:
07/07

MT

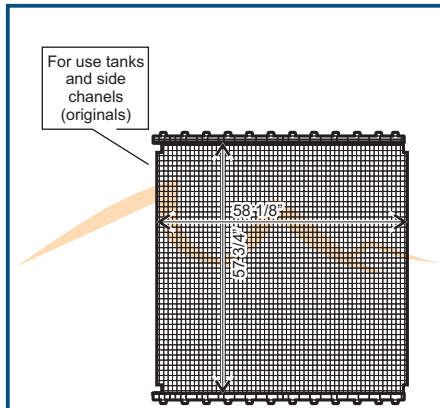
WITH FRAME

8145

CATERPILLAR

CTSNC-8145-8

CORE SIZE:
57 3/4" X 58 1/8"
INLET:
OUTLET:
OIL COOLER:
NO
REFERENCE:



009 RELEASE:
02/08

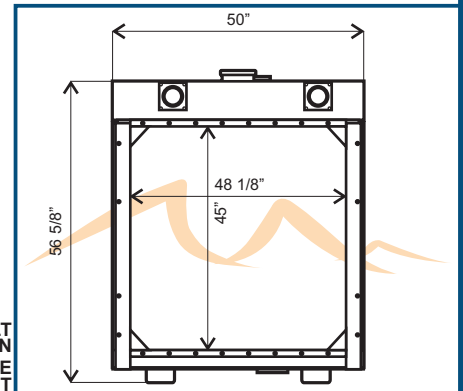
8147

CATERPILLAR

CCSNC-7/CCSNC-8

3408, 3412

CORE SIZE:
45" X 48 1/8"
INLET:
OUTLET:
OIL COOLER:
NO
REFERENCE:
W 3707
223114
223621 (3406)



BOLT ON
ONE PIECE
GASKET

010 RELEASE:
09/07

MT

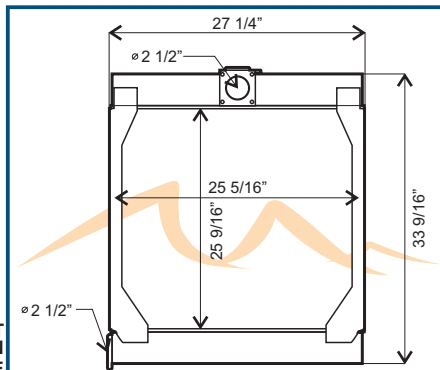
WITH FRAME

8164

CATERPILLAR

COC-4

CORE SIZE:
25 9/16" X 25 5/16"
INLET:
2 1/2"
OUTLET:
2 1/2"
OIL COOLER:
REFERENCE:
W 3713



BOLT ON
ONE PIECE
GASKET

011 RELEASE:
02/08

WITH FRAME

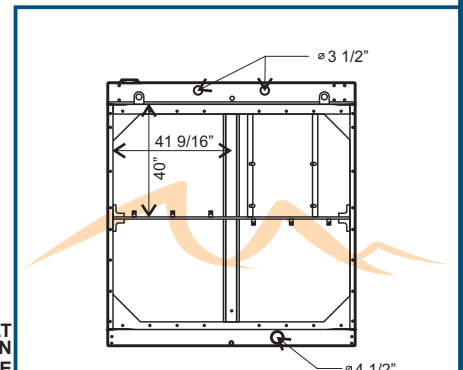
8168

CATERPILLAR

CMC-7

ENERGY PLANT

CORE SIZE:
40" X 41 9/16"
INLET:
3 1/2" (2 PIECES)
OUTLET:
4 1/4"
OIL COOLER:
NO
REFERENCE:



BOLT ON
ONE PIECE
GASKET

012 RELEASE:
01/08

WITH FRAME

<h3>8176</h3> <p>CATERPILLAR</p> <p>CNC-7</p> <p>CORE SIZE: 35 3/4" X 34 3/8" INLET: 2 3/4" (FLANGE) OUTLET: 3 3/16" OIL COOLER: NO REFERENCE: W 3709</p> <p>013 RELEASE: 05/08</p> <p>MT</p>		<h3>8350</h3> <p>CATERPILLAR</p> <p>CXC-3</p> <p>CORE SIZE: 22" X 21 7/8" INLET: 2" OUTLET: 2 1/4" OIL COOLER: NO REFERENCE: NATIONAL MARKET</p> <p>014 RELEASE: 10/11</p> <p>SOLDER ON</p>	
---	--	---	--

<h3>8501</h3> <p>CATERPILLAR</p> <p>CTC-6</p> <p>CORE SIZE: 22 7/16" X 21 7/16" INLET: 2" OUTLET: 1 3/4" OIL COOLER: NO REFERENCE:</p> <p>015 RELEASE: 11/14</p>		<h3>8502</h3> <p>CATERPILLAR</p> <p>CTC-6</p> <p>CORE SIZE: 19 7/8" X 24 1/16" INLET: 1 3/4" OUTLET: 1 3/4" OIL COOLER: NO REFERENCE:</p> <p>016 RELEASE: 09/14</p>	
---	--	--	--

<h3>8562</h3> <p>CATERPILLAR</p> <p>CTC-6</p> <p>GP 3116, 3208, 3300</p> <p>CORE SIZE: 33 3/16" X 27 9/16" X 4 1/16" INLET: 2 1/2" OUTLET: 2 1/2" OIL COOLER: NO REFERENCE: OEM: 133-9673, 3N-2790</p> <p>017 RELEASE: 03/17</p>		
---	--	--

SCAN OUR QR CODE

Radiators

PHAIR

CHEVROLET

2018

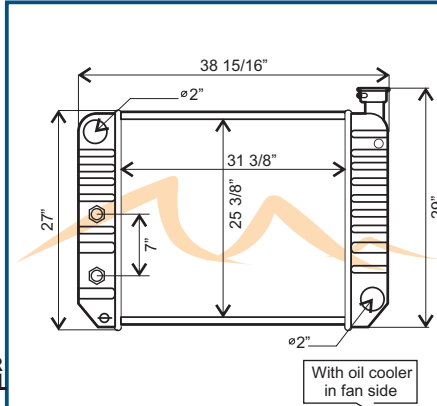
1733

CHEVROLET

CAVTU-2/CAVTU-3

KODIAK 96-99

CORE SIZE:
31 3/8" X 25 3/8"
INLET:
2"
OUTLET:
2"
OIL COOLER:
YES 757522
REFERENCE:
GMC27



001

SOLDER ON
AT

WITH SIDE CHANNELS

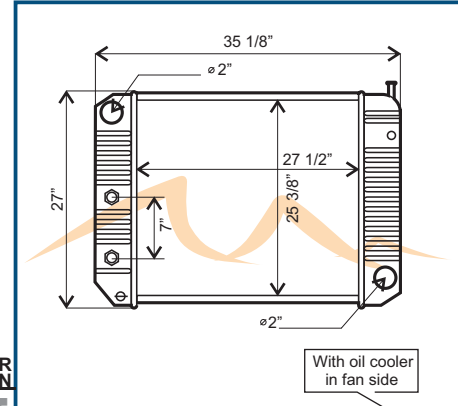
2552

CHEVROLET

CAVTU-2/CAVTU-3

KODIAK 97-98

CORE SIZE:
27 1/2" X 25 3/8"
INLET:
2"
OUTLET:
2"
OIL COOLER:
YES 757522
REFERENCE:
GMC27



002

SOLDER ON
AT

WITH SIDE CHANNELS

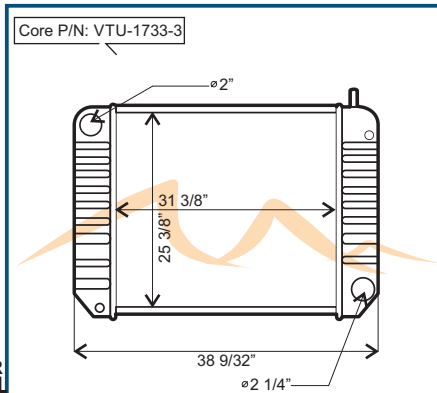
6036

CHEVROLET

CVTM-2/CVTU-3

KODIAK 97-98 DIESEL

CORE SIZE:
31 3/8" X 25 3/8"
INLET:
2"
OUTLET:
2 1/4"
OIL COOLER:
NO
REFERENCE:
GMC08



003

SOLDER ON
MT

WITH SIDE CHANNELS

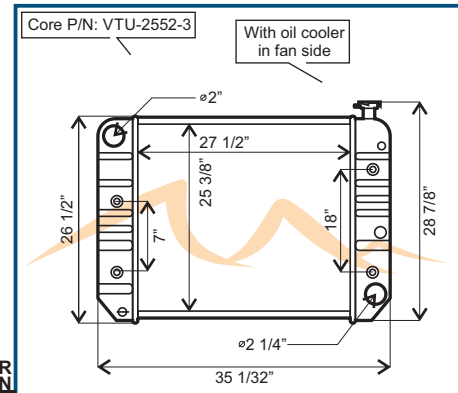
6037

CHEVROLET

CVTU-3/CAVTU-3

KODIAK 96-99 DIESEL

CORE SIZE:
27 1/2" X 25 3/8"
INLET:
2"
OUTLET:
2 1/4"
OIL COOLER:
YES 757522, CE6037
REFERENCE:
GMC08



004

SOLDER ON
AT

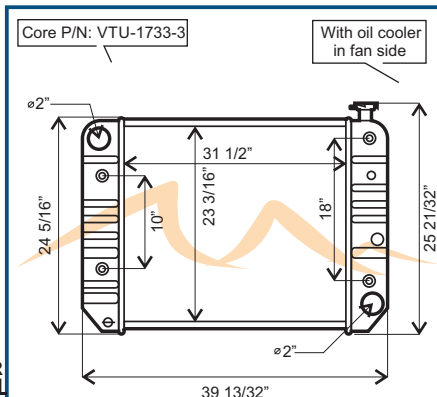
WITH SIDE CHANNELS

6130

CHEVROLET

CAVTU-3 KODIAK BUS CONVENTIONAL 40, 50, 60

CORE SIZE:
31 1/2" X 23 3/16"
INLET:
2"
OUTLET:
2"
OIL COOLER:
YES 101138, 756130
REFERENCE:
437191TNP
GMC26



005

SOLDER ON
AT

WITH SIDE CHANNELS

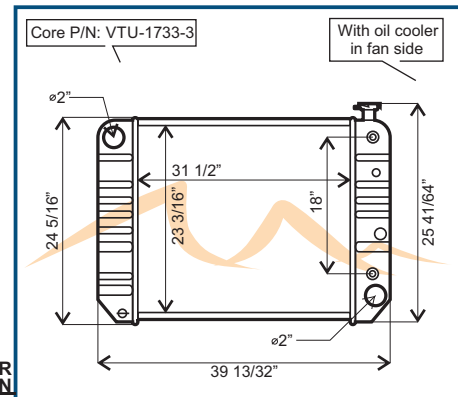
6131

CHEVROLET

CVTU-3/CAVTU-3

KODIAK BUS 40, 50, 60

CORE SIZE:
31 1/2" X 23 3/16"
INLET:
2"
OUTLET:
2"
OIL COOLER:
YES 101138
REFERENCE:
GMC14



006

SOLDER ON
AT

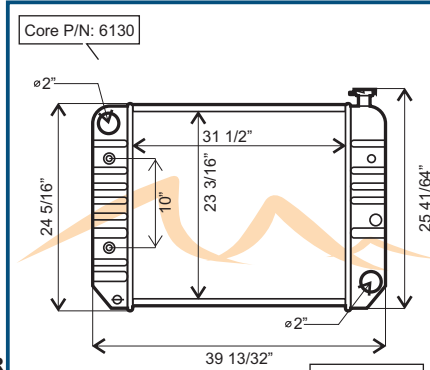
WITH SIDE CHANNELS

6204

CHEVROLET

CAVTU-3 KODIAK BUS 40, 50, 60 TOPTICK AMERICANO

CORE SIZE:
31 1/2" X 23 3/16"
INLET:
2"
OUTLET:
2"
OIL COOLER:
YES 756204
REFERENCE:
GMC12



SOLDER ON

AT

007

WITH SIDE CHANNELS

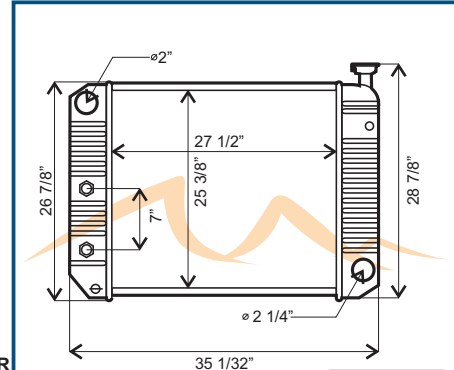
6233

CHEVROLET

CAVTU-3/CAVT-4

KODIAK BUS CONVENTIONAL SERIES 40, 50, 60

CORE SIZE:
27 1/2" X 25 3/8"
INLET:
2"
OUTLET:
2 1/4"
OIL COOLER:
YES 757522, CE1733
REFERENCE:
GMC 01



SOLDER ON

AT

008

WITH SIDE CHANNELS

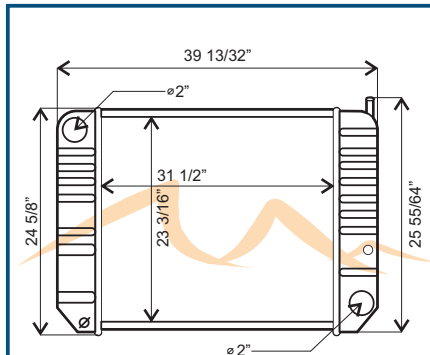
6235

CHEVROLET

CVTU-2/CVTU-3

KODIAK BUS CONVENTIONAL SERIES 40, 50, 60

CORE SIZE:
31 1/2" X 23 3/16"
INLET:
2"
OUTLET:
2"
OIL COOLER:
NO
REFERENCE:
GMC 10



SOLDER ON

MT

009

WITH SIDE CHANNELS

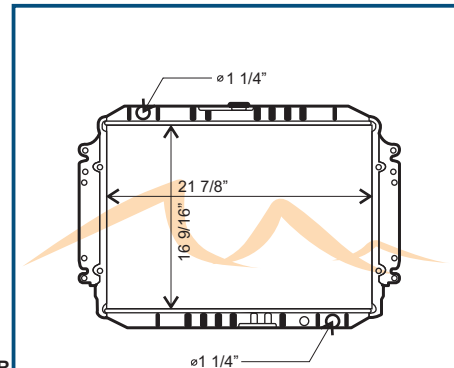
8028

CHEVROLET

CVTU-2

2.3L V4 PICK UP LUV 97-00

CORE SIZE:
16 9/16" X 21 7/8"
INLET:
1 1/4"
OUTLET:
1 1/4"
OIL COOLER:
NO
REFERENCE:
NATIONAL MARKET



SOLDER ON

MT

010

WITH SIDE CHANNELS

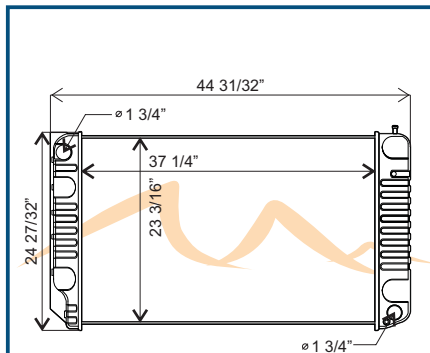
8237

CHEVROLET/GMC

CTVTU-3

KODIAK

CORE SIZE:
37 1/4" X 23 3/16"
INLET:
1 3/4"
OUTLET:
1 3/4"
OIL COOLER:
NO
REFERENCE:
AK 5754



SOLDER ON

MT

011

RELEASE: 11/09

WITH SIDE CHANNELS

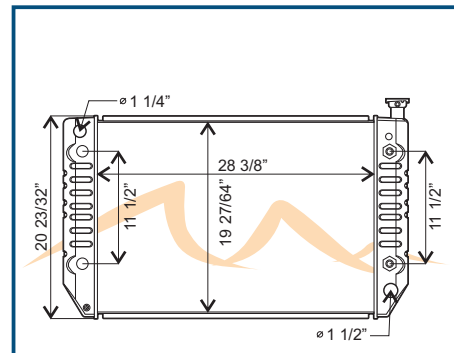
8255

CHEVROLET/GM

CTVTM-2

WORKHORSE 04-08

CORE SIZE:
28 3/8" X 19 7/16"
INLET:
1 1/4"
OUTLET:
1 1/2"
OIL COOLER:
YES
REFERENCE:
NORTHERN
238636, GMC38,
OEM:52494798



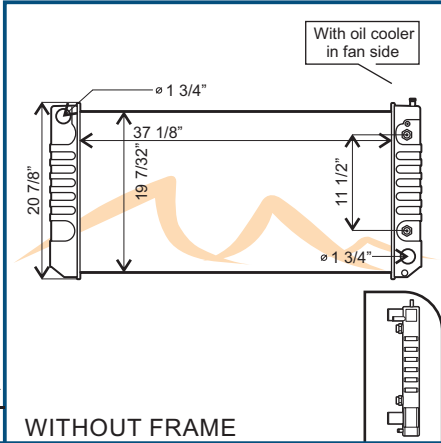
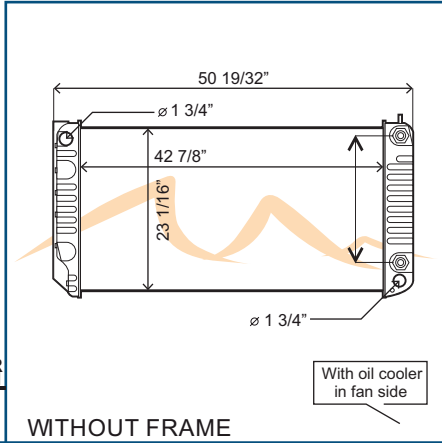
SOLDER ON

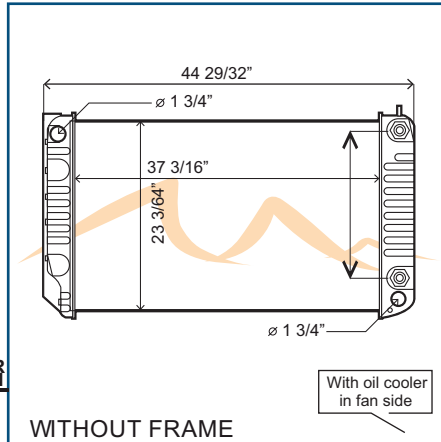
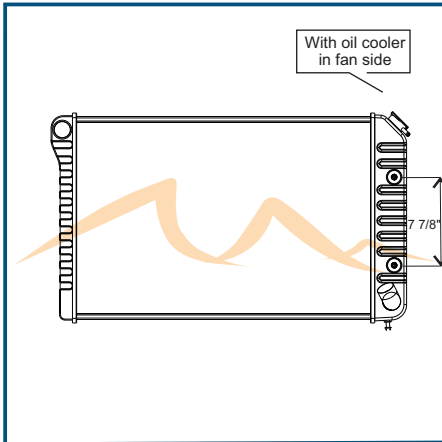
AT

012

RELEASE: 11/09

WITH SIDE CHANNELS

<h3>8363</h3> <p>CHEVROLET/GM</p> <p>C4500, C5500, C6500 KODIAK, TOPKICK 03-07</p> <p>CTAVT-4TT</p> <p>CORE SIZE: 37 1/8" X 19 7/32"</p> <p>INLET: 1 3/4"</p> <p>OUTLET: 1 3/4"</p> <p>OIL COOLER: YES 756383</p> <p>REFERENCE: NORTHERN 239095, GMC34, OEM: 15013551</p> <p>013 RELEASE: 09/12</p> <p>SOLDER ON</p>	 <p>Without frame</p>	<h3>8364</h3> <p>CHEVROLET/GMC</p> <p>CTAVT-4TT</p> <p>GMC C4500-8500</p> <p>CORE SIZE: 42 7/8" X 23 3/64"</p> <p>INLET: 1 3/4"</p> <p>OUTLET: 1 3/4"</p> <p>OIL COOLER: YES 756125</p> <p>REFERENCE: ACTIVE 580029</p> <p>014 RELEASE: 04/12</p> <p>SOLDER ON</p>	 <p>Without frame</p>
--	--	--	--

<h3>8374</h3> <p>CHEVROLET/GMC</p> <p>TOPKICK SERIES 6000, 7000, 8000 07-09 C8500 KODIAK 03-07/ K-SERIES 07-08</p> <p>CTAVT-4TT</p> <p>CORE SIZE: 37 3/16" X 23 3/64"</p> <p>INLET: 1 3/4"</p> <p>OUTLET: 1 3/4"</p> <p>OIL COOLER: YES 756125</p> <p>REFERENCE: NORTHERN 238642, 580030, GMC30, OEM:15258912, HDC010276PA</p> <p>015 RELEASE: 04/12</p> <p>SOLDER ON</p>	 <p>Without frame</p>	<h3>8564</h3> <p>CHEVROLET</p> <p>MUSCLE CAR CORVETTE 77-82 WITH V8 ENGINE</p> <p>CAVTU-3</p> <p>CORE SIZE: 26 1/4" X 17 1/16" X 1 7/8"</p> <p>INLET: 1 1/2"</p> <p>OUTLET: 1 1/2"</p> <p>OIL COOLER: NO</p> <p>REFERENCE: NORTHERN CR717 ALUMINIUM 205066, SPECTRA Cu717</p> <p>016 RELEASE: 03/17</p>	 <p>Without frame</p>
---	---	--	---

NOTES

Radiators

PHAR

**CONCHO VALLEY
CUMMINS ONAN**

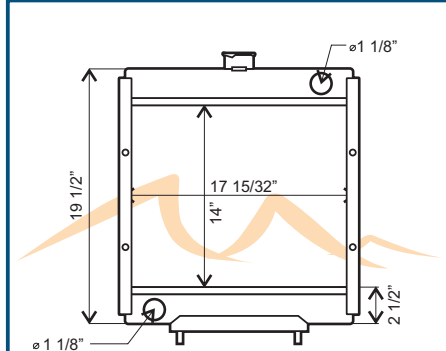
2018

8050

CONCHO VALLEY

CVTW-2

CORE SIZE:
14" X 17 15/32"
INLET:
1 1/8"
OUTLET:
1 1/8"
OIL COOLER:
NO
REFERENCE:
ACTIVE EDITION



SOLDER ON

MT

WITH FRAME

001

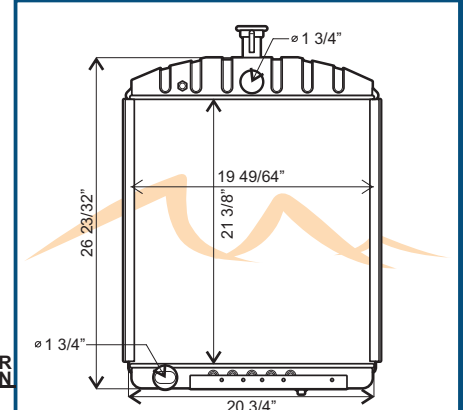
8247

CUMMINS ONAN

CVT-3

POWER UNIT

CORE SIZE:
21 3/8" X 19 49/64"
INLET:
1 3/4"
OUTLET:
1 3/4"
OIL COOLER:
NO
REFERENCE:
ONAN 30 DDA
245994 NORHERN



SOLDER ON

002

RELEASE:
02/10

WITH FRAME

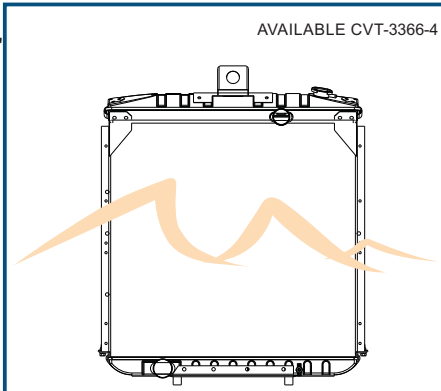
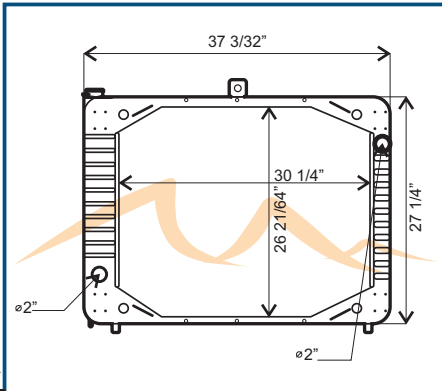
NOTAS

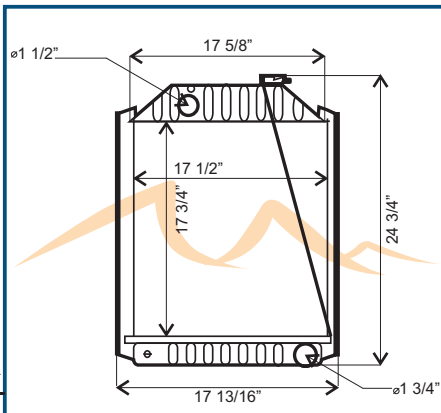
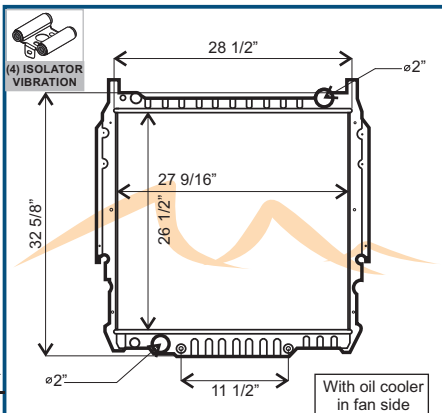
Radiators

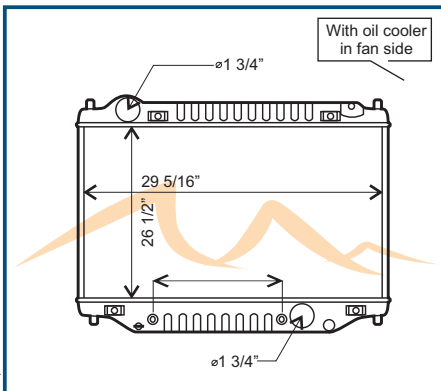
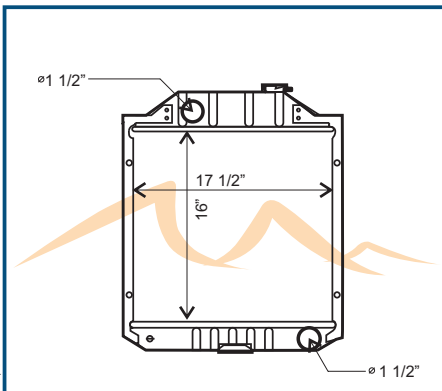
PHAIR

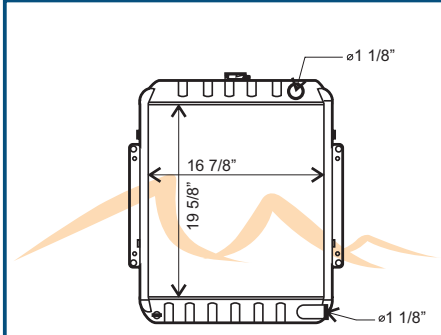
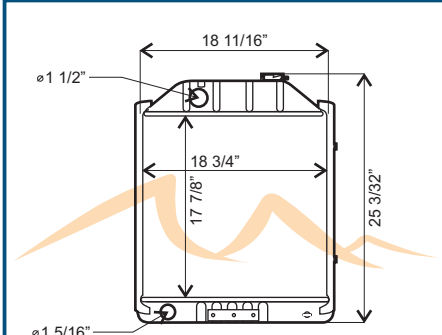
FORD

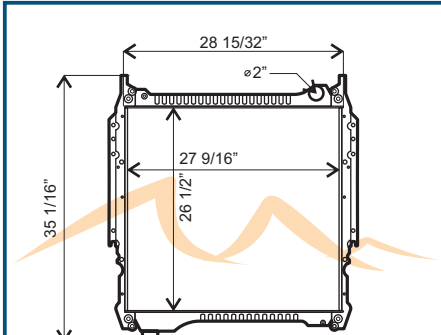
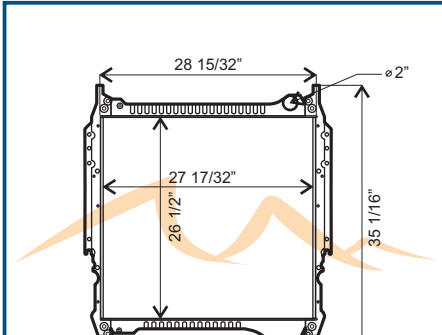
2018

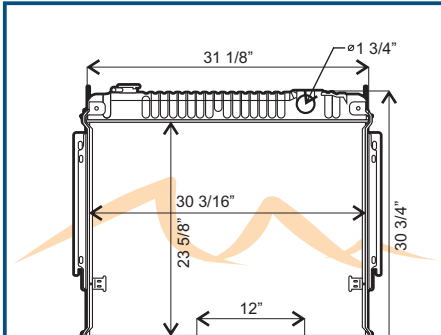
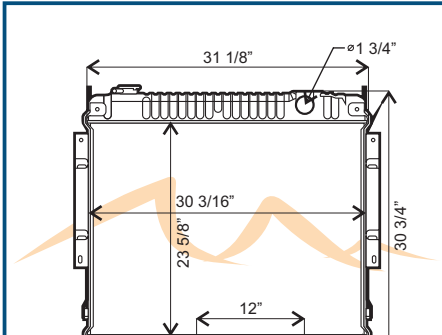
<h3>3363</h3> <p>FORD</p> <p>CVT-3/CVT-3E 5-500, F-600 65-72</p> <p>AVAILABLE CVT-3366-4</p> <p>CORE SIZE: 25 1/8" X 26 5/16" X 1 7/8"</p> <p>INLET: 1 3/4"</p> <p>OUTLET: 2"</p> <p>OIL COOLER: NO</p> <p>REFERENCE: DPI-479</p>  <p style="text-align: center;">WITH SIDE CHANNELS</p> <p style="text-align: right;">SOLDER ON</p> <p>001 RELEASE: 03/11</p>	<h3>3521</h3> <p>FORD</p> <p>CVT-4 TRUCK LOUISVILLE LN 8000 BUS</p> <p>CORE SIZE: 30 1/4" X 26 21/64"</p> <p>INLET: 2"</p> <p>OUTLET: 2"</p> <p>OIL COOLER: NO</p> <p>REFERENCE: FLN8000 0991 DPI</p>  <p style="text-align: center;">WITH FRAME</p> <p style="text-align: right;">SOLDER ON</p> <p>002 MT</p>
--	--

<h3>4025</h3> <p>FORD</p> <p>CNC-3/CNC-4 AGRICULTURAL TRACTOR 4500, 5000 79-92</p> <p>CORE SIZE: 17 3/4" X 17 1/2"</p> <p>INLET: 1 1/2"</p> <p>OUTLET: 1 3/4"</p> <p>OIL COOLER: NO</p> <p>REFERENCE: CR 9780 A-86531508 DPI</p>  <p style="text-align: center;">WITH SIDE CHANNELS</p> <p style="text-align: right;">SOLDER ON</p> <p>003 MT</p>	<h3>5656</h3> <p>FORD</p> <p>CAVTU-3 F-700 BUS 95-96</p> <p>CORE SIZE: 26 1/2" X 27 9/16"</p> <p>INLET: 2"</p> <p>OUTLET: 2"</p> <p>OIL COOLER: YES 1016491 REFERENCE: FOR95</p>  <p style="text-align: center;">WITH SIDE CHANNELS</p> <p style="text-align: right;">SOLDER ON</p> <p>004 AT</p>
--	--

<h3>5658</h3> <p>FORD</p> <p>CVTU-3/CAVTU-3 EXCURSION SUPER DUTY 99-00</p> <p>CORE SIZE: 26 1/2" X 29 5/16"</p> <p>INLET: 1 3/4"</p> <p>OUTLET: 1 3/4"</p> <p>OIL COOLER: YES 756347 REFERENCE: 2171DPI</p>  <p style="text-align: center;">WITH OR WITHOUT SIDE CHANNELS</p> <p style="text-align: right;">SOLDER ON</p> <p>005 MT/AT</p>	<h3>8001</h3> <p>FORD</p> <p>CNC-4 ENGLISH MOD. 2000, 3000, 4000, 5000</p> <p>CORE SIZE: 16" X 17 1/2"</p> <p>INLET: 1 1/2"</p> <p>OUTLET: 1 1/2"</p> <p>OIL COOLER: NO</p> <p>REFERENCE: A-D8NN8005PA 219522 CR 9522 CR 9561</p>  <p style="text-align: center;">WITH FRAME</p> <p style="text-align: right;">SOLDER ON</p> <p>006 MT</p>
--	--

<h3>8004</h3> <p>FORD</p> <p>CNC-5</p> <p>GENERATOR</p> <p>CORE SIZE: 19 5/8" X 16 7/8" INLET: 1 1/8" OUTLET: 1 1/8" OIL COOLER: NO REFERENCE: 129687REF 44520</p>  <p style="text-align: center;">WITH FRAME</p>	<h3>8012</h3> <p>FORD</p> <p>CNC-4</p> <p>L553, L555 / 675, 675B SKIDSTEERS</p> <p>CORE SIZE: 17 7/8" X 18 3/4" INLET: 1 1/2" OUTLET: 1 5/16" OIL COOLER: NO REFERENCE: NORTHERN 219805, OEM: 9828737</p>  <p style="text-align: center;">WITH SIDE CHANNELS</p>
---	--

<h3>8023</h3> <p>FORD</p> <p>CTVTM-3/CVTM-3/CVTU-3 B500,600,700,800 F600,700,800</p> <p>CORE SIZE: 26 1/2" X 27 9/16" INLET: 2" OUTLET: 2" OIL COOLER: NO REFERENCE: F5H2, 8005AA/FG/JA 437164 FOR82 2002-1502 1AH0001R 239493</p>  <p style="text-align: center;">WITH OR WITHOUT SIDE CHANNELS</p>	<h3>8026</h3> <p>FORD</p> <p>CTVTM-3/CVTM-3/CVTU-3 B500,600,700,800 F600,700,800</p> <p>CORE SIZE: 26 1/2" X 27 17/32" INLET: 2" OUTLET: 2" OIL COOLER: NO REFERENCE: 437154 FOR81 2002-1504 239497 F5H280005CA-HA</p>  <p style="text-align: center;">WITH OR WITHOUT SIDE CHANNELS</p>
--	--

<h3>8030</h3> <p>FORD TRK</p> <p>CAVTU-3/CAVTU-4 SERIES VAN CLUB VAN 83-90</p> <p>CORE SIZE: 23 5/8" X 30 3/16" INLET: 1 3/4" OUTLET: 2" OIL COOLER: YES 756347 REFERENCE: 1172 DPI</p>  <p style="text-align: center;">WITH SIDE CHANNELS</p> <p style="text-align: right; font-size: small;">With oil cooler in fan side</p>	<h3>8031</h3> <p>FORD</p> <p>CAVTU-3/CAVTU-4/CVTU-3F-SERIES BRONCO 83-94</p> <p>CORE SIZE: 23 5/8" X 30 3/16" INLET: 1 3/4" OUTLET: 2" OIL COOLER: YES 756347 REFERENCE: 1165 DPI</p>  <p style="text-align: center;">WITH SIDE CHANNELS</p> <p style="text-align: right; font-size: small;">With oil cooler in fan side</p>
---	---

8032	FORD	8037	FORD/STERLING
CAVTU-3/CAVTU-4/CVTU-3	F-SERIES VAN 92-94	CTVTU-3/CTVTM-3/CTVTM-2	8000, CL SERIES
<p>CORE SIZE: 23 5/8" X 30 3/16" INLET: 1 3/4" OUTLET: 2" OIL COOLER: YES 756347 REFERENCE: 1457 DPI</p>		<p>CORE SIZE: 37 3/8" X 27 9/16" INLET: 2" OUTLET: 2" OIL COOLER: NO REFERENCE: E8HT8009G E8H28005U 90000-05 FOR05 2001-1505 239426</p>	
013 RELEASE: 08/09 AT	WITH SIDE CHANNELS	014 RELEASE: 08/14 MT	WITHOUT FRAME

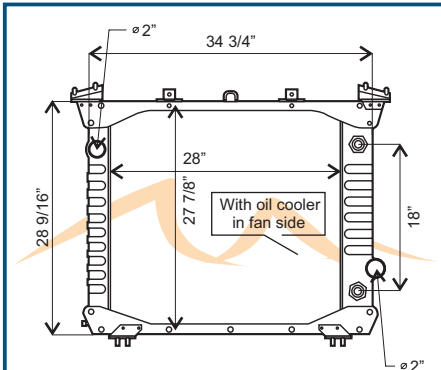
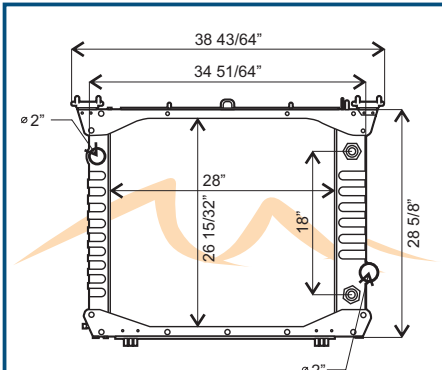
8041	FORD	8064	FORD/STERLING
CAVT-4	ECONOLINE 75-91	CVTM-3/CTVTM-3	INTERNAL REINFORCEMENT HOSE CONNECTION
<p>CORE SIZE: 21 1/8" X 30 3/32" INLET: 1 1/2" OUTLET: 1 3/4" OIL COOLER: YES 756195 REFERENCE: 1291 DPI</p>		<p>CORE SIZE: 35" X 23 41/64" INLET: 2 1/2" OUTLET: 2" OIL COOLER: NO REFERENCE: 239406 9000-24ST FOR24 SRM7208</p>	
015 RELEASE: AT	WITH FRAME	016 RELEASE: 07/07 MT	WITH OR WITHOUT FRAME

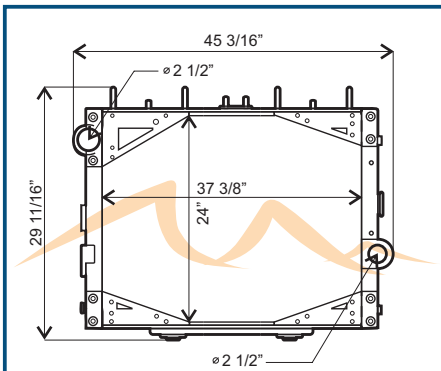
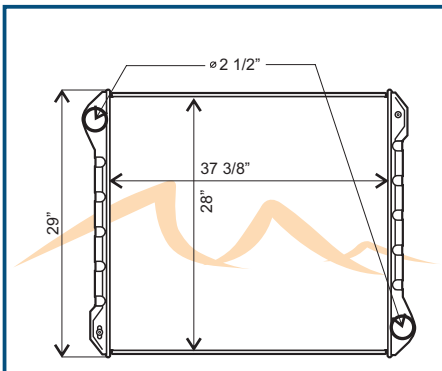
8065	FORD/STERLING	8084	FORD
CTVTU-3/CTVTM-3	L, LN, LTL 8000	CNC-3	230A,231,233,234,333,334,335,340,3740A, 2000,3000,5000 SERIES DIESEL
<p>CORE SIZE: 34 7/8" X 25 13/16" INLET: 2" OUTLET: 2" OIL COOLER: NO REFERENCE: F4HT8009TB 239360 FOR12 8000-12 437159S</p>		<p>CORE SIZE: 16" X 17 1/2" INLET: 1 1/2" OUTLET: 1 3/4" OIL COOLER: NO REFERENCE: C7NN8005H E0NN8005MD15M CR 9561</p>	
017 RELEASE: 06/07 MT	WITHOUT FRAME	018 RELEASE: 07/07 MT	WITH SIDE CHANNELS

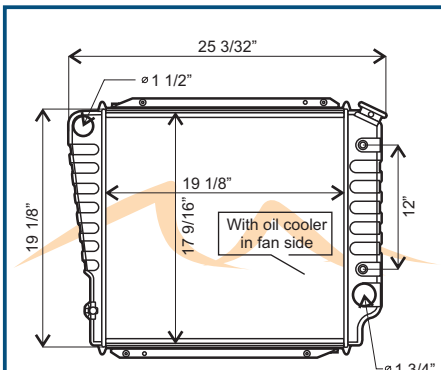
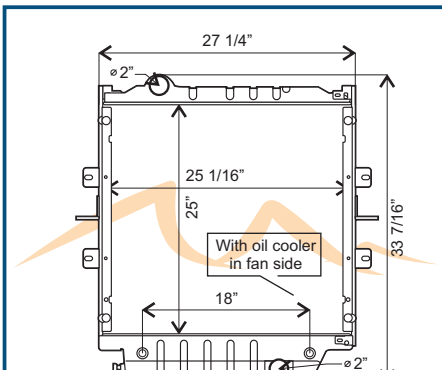
8093	FORD/NEW HOLLAND	8096	FORD/STERLING
CAVT-4/CANC-5 7810S		CTVTU-3/CTVTM-3/CTVTU-3TT L, LN, LTL, ZL SERIES	
<p>CORE SIZE: 22 1/2" X 16 31/64"</p> <p>INLET: 1 3/4"</p> <p>OUTLET: 2"</p> <p>OIL COOLER: YES 754026</p> <p>REFERENCE: NORTHERN 211012</p>		<p>CORE SIZE: 37 3/8" X 27 9/16"</p> <p>INLET: 2 1/2"</p> <p>OUTLET: 2 1/2"</p> <p>OIL COOLER: NO</p> <p>REFERENCE: 9000-07 FOR07 9000-01 FOR01 2001-1501</p>	
<p>019 RELEASE: 02/08 AT SOLDER ON</p> <p>WITH FRAME</p>		<p>020 RELEASE: 05/14 MT SOLDER ON</p> <p>WITH OR WITHOUT FRAME</p>	

8097	FORD/STERLING	8121	FORD
CTVTU-3/CTVTM-3 9500 SERIES		CVTU-3/CVTM-3 B&F SERIES STERLING	
<p>CORE SIZE: 37 1/4" X 34 1/8"</p> <p>INLET: 2 1/2"</p> <p>OUTLET: 2 1/2"</p> <p>OIL COOLER: NO</p> <p>REFERENCE: 9000-23ST FOR23 437207S 2001-4114 239492</p>		<p>CORE SIZE: 26 1/2" X 27 9/16"</p> <p>INLET: 2"</p> <p>OUTLET: 2"</p> <p>OIL COOLER: NO</p> <p>REFERENCE: OEM 1AH006445 437168 FOR83 2002-1512 239428 370003 FB 104</p>	
<p>021 RELEASE: 12/07 AT/MT SOLDER ON</p> <p>WITHOUT FRAME</p>		<p>022 RELEASE: 2007 MT SOLDER ON</p> <p>WITH SIDE CHANNELS</p>	

8122	FORD	8127	FORD
CTVTU-3/CTVTM-3 STERLING		CVTM-3/CTVTM-3/CTVTU-3/CVTU-3 STERLING	
<p>CORE SIZE: 37 3/8" X 27 9/16"</p> <p>INLET: 2 1/2"</p> <p>OUTLET: 2 1/2"</p> <p>OIL COOLER: NO</p> <p>REFERENCE: 90-0010 FOR10 2001-1519 FD31 239318 1033260 1003260</p>		<p>CORE SIZE: 37 3/8" X 27 17/32"</p> <p>INLET: 2 1/2"</p> <p>OUTLET: 2 1/2"</p> <p>OIL COOLER: NO</p> <p>REFERENCE: SRM7336 9000-14ST FOR14 FD34 2001-1518</p>	
<p>023 MT SOLDER ON</p> <p>WITHOUT FRAME</p>		<p>024 RELEASE: 07/07 MT SOLDER ON</p> <p>WITH OR WITHOUT FRAME</p>	

<h3>8163</h3> <p>FORD/STERLING</p> <p>CAVTM-3/CTAVTM-3/CTVTM-3 B&F800</p> <p>CORE SIZE: 28" X 27 7/8" INLET: 2" OUTLET: 2" OIL COOLER: YES 101002 REFERENCE: 239413 4372025 FOR18</p>  <p style="text-align: center;">SOLDER ON</p> <p>025 RELEASE: 06/08 AT</p> <p style="text-align: center;">WITH OR WITHOUT FRAME</p>	<h3>8182</h3> <p>FORD/STERLING</p> <p>CAVTM-3/CTAVTM-3 B&F 700-800, ACTERRA SERIES</p> <p>CORE SIZE: 28" X 26 15/32" INLET: 2" OUTLET: 2" OIL COOLER: YES 101002 REFERENCE: NORTHERN 239413, SPECTRA 2001-1523</p>  <p style="text-align: center;">SOLDER ON</p> <p>026 RELEASE: AT</p> <p style="text-align: center;">WITH OR WITHOUT FRAME</p>
--	---

<h3>8199</h3> <p>FORD</p> <p>CVTM-3 STERLING 01-03 6 CYLINDERS ISC-300</p> <p>CORE SIZE: 37 3/8" X 24" INLET: 2 1/2" OUTLET: 2 1/2" OIL COOLER: NO REFERENCE: FOR22 239484 OEM F6HT8009BB F8HT8009DA</p>  <p style="text-align: center;">SOLDER ON</p> <p>027 RELEASE: 02/09 MT</p> <p style="text-align: center;">WITH FRAME</p>	<h3>8203</h3> <p>FORD</p> <p>CTVTU-3/CTVTM-3 STERLING</p> <p>CORE SIZE: 37 3/8" X 28" INLET: 2 1/2" OUTLET: 2 1/2" OIL COOLER: NO REFERENCE: 5363</p>  <p style="text-align: center;">SOLDER ON</p> <p>028 RELEASE: 01/09 MT</p> <p style="text-align: center;">WITHOUT FRAME</p>
---	---

<h3>8225</h3> <p>FORD</p> <p>CAVT-3/CAVTU-3 TOM'S BRONCO 66-77</p> <p>CORE SIZE: 19 1/8" X 17 9/16" INLET: 1 1/2" OUTLET: 1 3/4" OIL COOLER: YES 752285 REFERENCE: 0521 DPI</p>  <p style="text-align: center;">SOLDER ON</p> <p>029 RELEASE: 10/09 AT</p> <p style="text-align: center;">WITH SIDE CHANNELS</p>	<h3>8233</h3> <p>FORD/BLUE BIRD</p> <p>CAVTU-3 MOTORHOME/SCHOOL VISION 03-05</p> <p>CORE SIZE: 25" X 25 1/16" INLET: 2" OUTLET: 2" OIL COOLER: YES REFERENCE: 310011 WF BLU08 AK 5755</p>  <p style="text-align: center;">SOLDER ON</p> <p>030 RELEASE: 11/09 AT</p> <p style="text-align: center;">WITH FRAME</p>
---	---

8234 CTVTM-3 CORE SIZE: 37 3/8" X 28 15/64" INLET: 2 1/2" OUTLET: 2 1/2" OIL COOLER: NO REFERENCE: FIHT8009TA 1003335 AK 5334 FOR 25	FORD/STERLING L, LT 9500 SERIES	8241 CTVTU-3/CTVTM-3/CTVTU-3TT/CVTU-3TT	FORD/STERLING L, LN, LTL, CL SERIES
SOLDER ON 031 RELEASE: 11/09 MT WITHOUT FRAME		SOLDER ON 032 RELEASE: 08/14 MT WITH OR WITHOUT FRAME	

8266 CTVTX-2/CTVTM-3 CORE SIZE: 26 3/4" X 28" INLET: 2" OUTLET: 2" OIL COOLER: NO REFERENCE: S5611 FOR71	FORD/STERLING B&F SERIES	8299 CTVTU-3	FORD/STERLING SERIES L, LN, LTL, CL 94-05
SOLDER ON 033 RELEASE: 11/09 MT WITHOUT FRAME		SOLDER ON 034 RELEASE: 07/10 MT WITHOUT FRAME	

8337 CTVTM-3 CORE SIZE: 26 3/4" X 28 15/64" INLET: 2" OUTLET: 2" OIL COOLER: NO REFERENCE: FOR 64 OEM # FOH78005HB	FORD/STERLING B & F SERIES	8338 CVTM-3TT	FORD BRONCO 66-67
SOLDER ON 035 RELEASE: 05/11 MT WITHOUT FRAME		036	

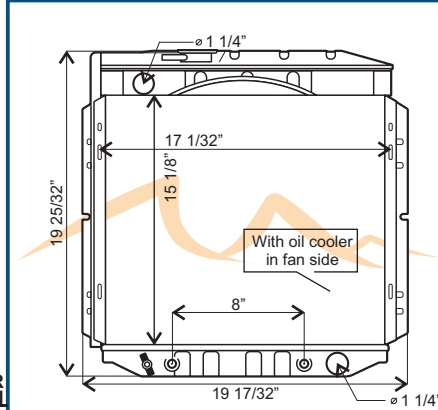
8365

FORD

CAVT-2

MUSTANG

CORE SIZE:
15 1/8" X 17 1/32"
INLET:
1 1/4"
OUTLET:
1 1/4"
OIL COOLER:
YES 756253
REFERENCE:
NORTHERN 211018



SOLDER ON

037 RELEASE: 09/12

WITH SIDE CHANNELS

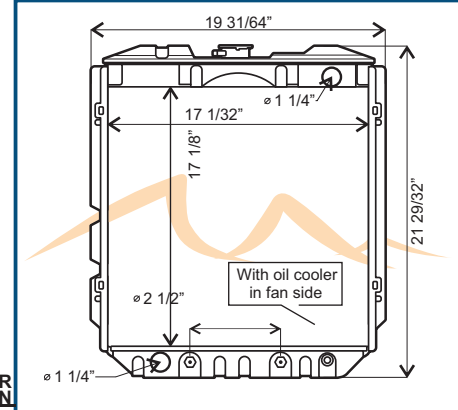
8377

FORD

CAVT-3

BRONCO

CORE SIZE:
17 1/8" X 17 1/32"
INLET:
1 1/4"
OUTLET:
1 1/4"
OIL COOLER:
YES 753273
REFERENCE:
019844
1244429



SOLDER ON

038

WITH SIDE CHANNELS

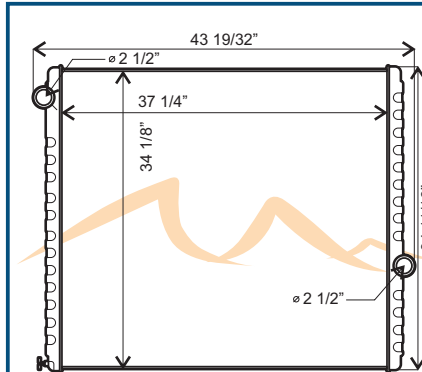
8411

FORD/STERLING

CTVTU-3

LTL, LTA, LTLS SERIES 9000,
SILVER STAR/ 1300 01 Y NEWER

CORE SIZE:
37 1/4" X 34 1/8"
INLET:
2 1/2"
OUTLET:
2 1/2"
OIL COOLER:
NO
REFERENCE:
NORTHERN 239464,
2001-1515, FOR15,
OEM:F4HZ8005H



SOLDER ON

039 RELEASE: 01/13

WITHOUT FRAME

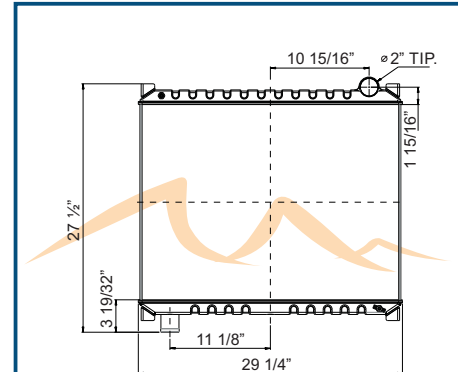
8420

FORD/STERLING

CTVTU-3/CVTM-3

S56-09 ROPPEL

CORE SIZE:
21 5/8" X 28 37/64"
INLET:
2"
OUTLET:
2"
OIL COOLER:
NO
REFERENCE:
S56-09 WORKS



040 RELEASE: 09/14

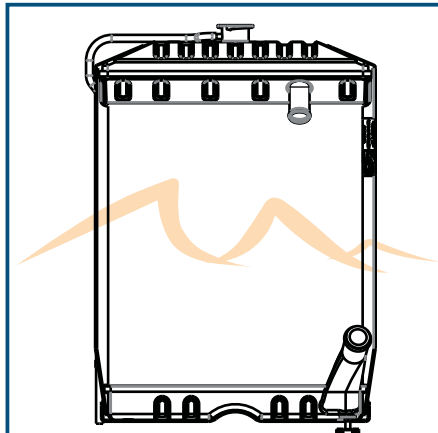
8571

FORD/NEW HOLLAND

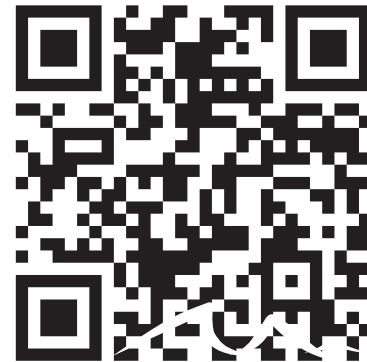
CNA-3

AGRICOLA

CORE SIZE:
17 5/8" X 16 1/4" X 1 5/8"
INLET:
1 1/4"
OUTLET:
1 1/2"
OIL COOLER:
NO
REFERENCE:
219556 NORTHERN



041



SCAN OUR QR CODE

Radiators

PHAR

FREIGHTLINER

2018

<h3>5603</h3> <h4>FREIGHTLINER</h4> <p>CRE-4/CVTU-4 FLD120 93-99</p> <p>CORE SIZE: 37" X 31 7/8" INLET: 2 1/2" OUTLET: 3" OIL COOLER: NO REFERENCE: EX03AC0022SP FRE21 800021 2101-1701</p> <p>BOLT ON ONE PIECE GASKET</p> <p>001 MT</p> <p>AVAILABLE WITHOUT TANK SURGE P/N: 5604</p>	<h3>6120</h3> <h4>FREIGHTLINER</h4> <p>CVTX-2/CTVX-2(NEW)RUCK 98-02 CENTURY CLASS COLUMBIA</p> <p>CORE SIZE: 36" X 30 23/64" INLET: 2 1/2" OUTLET: 2 1/2" OIL COOLER: NO REFERENCE: 437157TNP</p> <p>BOLT ON ONE PIECE GASKET</p> <p>002 MT</p> <p>(4) CORNER REINFORCEMENT SIDE CHANNEL REINFORCEMENT</p> <p>WITH OR WITHOUT FRAME</p>
---	---

<h3>8022</h3> <h4>FREIGHTLINER</h4> <p>CVTM-3/CTVTM-3/CIE-4 FLD112, 120 98-03</p> <p>CORE SIZE: 36" X 27 11/64" INLET: 2 1/2" OUTLET: 2 1/2" OIL COOLER: NO REFERENCE: 05-16378-001; 16397-001 680-500-22-03 SRM7116 800004 FRE04/FRE04F 2001-1704 239355</p> <p>SOLDER ON</p> <p>003 MT</p> <p>INTERNAL REINFORCEMENT HOSE CONNECTION (4) ISOLATOR VIBRATION HEAVY DUTY TANKS HEADER REINFORCEMENT WITH OR WITHOUT FRAME</p>	<h3>8024</h3> <h4>FREIGHTLINER</h4> <p>CVTU-3/CTVTU-3/CTIE-4 URBAN FL50-90 SERIES 98-03</p> <p>CORE SIZE: 28 3/4" X 24 1/2" INLET: 2" OUTLET: 2 1/4" OIL COOLER: NO REFERENCE: A05-16058-003 680-500-28-03 SRM7145 800005 FRE05/FRE05F 2001-1705, 239342 239330, 437145</p> <p>SOLDER ON</p> <p>004 MT</p> <p>(4) ISOLATOR VIBRATION HEAVY DUTY TANKS CORNER HEADER REINFORCEMENT WITH OR WITHOUT FRAME</p>
---	---

<h3>8025</h3> <h4>FREIGHTLINER</h4> <p>CVTM-3/CTVTM-3 BUS FL50-90 SERIES</p> <p>CORE SIZE: 34 1/4" X 24 23/32" INLET: 2" OUTLET: 2 1/4" OIL COOLER: NO REFERENCE: 05-16756-000 A05-16238-000 SRM7152 800006 FRE06/FRE06F 2001-1706 437152</p> <p>SOLDER ON</p> <p>005 MT</p> <p>(4) ISOLATOR VIBRATION HEAVY DUTY TANKS CORNER HEADER REINFORCEMENT WITH OR WITHOUT FRAME</p>	<h3>8044</h3> <h4>FREIGHTLINER</h4> <p>CVTM-3/CTVTM-3/CIE-4 COLUMBIA</p> <p>CORE SIZE: 41 15/16" X 31 1/4" INLET: 2 1/2" OUTLET: 2 1/2" OIL COOLER: NO REFERENCE: SRM800019 FRE19 800019 FRE19F 239326 8000-19BT</p> <p>SOLDER ON</p> <p>006 MT</p> <p>INTERNAL REINFORCEMENT HOSE CONNECTION (4) ISOLATOR VIBRATION HEAVY DUTY TANKS (4) CORNER REINFORCEMENT HEADER REINFORCEMENT WITH OR WITHOUT FRAME</p>
---	---

8047 FREIGHTLINER

CVTX-2/CTVTU-3/CVT-4 CENTURY CLASS COLUMBIA 98-02

CORE SIZE:
36" X 31 3/16"
INLET:
2 1/2"
OUTLET:
2 1/2"
OIL COOLER:
NO
REFERENCE:
05-16255-000
SRM7157
8000-07
FRE07/FRE07F
239397/239331
2001-1707
6805000603

007 SOLDER ON **MT** WITH OR WITHOUT FRAME

8049 FREIGHTLINER

CTME-3

CORE SIZE:
36" X 26 1/4"
INLET:
2 1/2"
OUTLET:
2 1/2"
OIL COOLER:
NO
REFERENCE:

008 SOLDER ON **MT** WITHOUT FRAME

8059 FREIGHTLINER

CTVTU-3/CVTU-3/CTVTU-3ATT/CVTX-2A COLUMBIA
CTVTM-3/CTVTM-3/CTVTU-4/CVTU-4

CORE SIZE:
41 15/16" X 30 5/8"
INLET:
2 1/2"
OUTLET:
2 1/2"
OIL COOLER:
NO
REFERENCE:
800022
FRE22
239336
SRM8056-F
FRE22F

009 RELEASE: 09/11 SOLDER ON **MT** WITH OR WITHOUT FRAME

8066 FREIGHTLINER

CAVTM-3/CTAVTM-3 UPS VAN/FEDEX TRUCK

CORE SIZE:
24" X 26 1/8"
INLET:
2"
OUTLET:
2"
OIL COOLER:
YES 101002
REFERENCE:
732079
VAB1003435
734357
SRM7196
800015ST2002-1708
239372
239308

010 SOLDER ON **MT** WITH OR WITHOUT FRAME

8067 FREIGHTLINER

CVTM-3/CTVTM-3/CIE-4 CENTURY SERIES

CORE SIZE:
35 7/8" X 38 15/32"
INLET:
2 1/2"
OUTLET:
2 1/2"
OIL COOLER:
NO
REFERENCE:
OEM#A4738/B7472
SRM800020/800020
FRE20
239364
2001-1710
FRE20F
201710ACE

011 RELEASE: 02/06 SOLDER ON **MT** WITH OR WITHOUT FRAME

8080 FREIGHTLINER

CAVTU-3/CTAVTU-3 SCHOOL BUS

CORE SIZE:
28 3/4" X 24 1/2"
INLET:
2"
OUTLET:
2"
OIL COOLER:
YES 101002
REFERENCE:
16909-000/A05-16058-004
1AH40011005
SRM7149
800010WOF/800010
FRE10/FR420C
239306
2001-1714

012 RELEASE: 02/06 SOLDER ON **AT** WITH OR WITHOUT FRAME

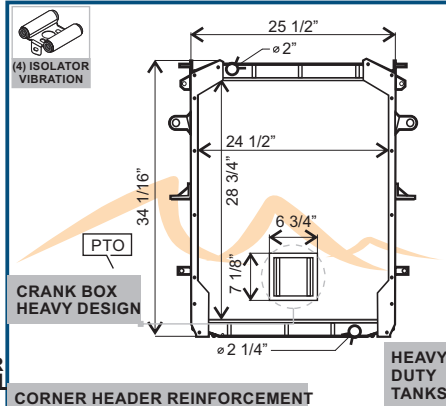
8081

FREIGHTLINER

CVTU-3/CTVTU-3/CVTM-3

FL50-90 SNOW PLOW

CORE SIZE:
28 3/4" X 24 1/2"
INLET:
2"
OUTLET:
2 1/4"
OIL COOLER:
NO
REFERENCE:
A05-16060-003
SRM7166
800012WOF
800012
FR42 W/PTO
FRE12
239359



013

SOLDER ON
MT

WITH OR WITHOUT FRAME

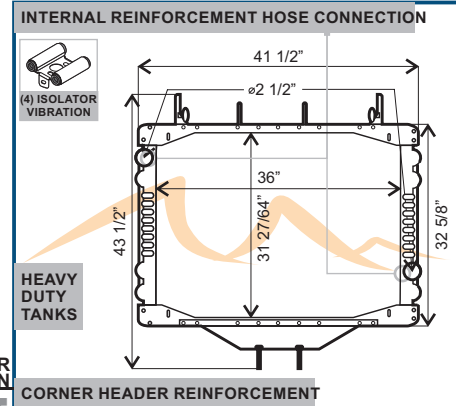
8123

FREIGHTLINER

CVTM-3/CTVTM-3
CTVTU-3/CVTU-3

CENTURY COLUMBIA SERIES

CORE SIZE:
36" X 31 27/64"
INLET:
2 1/2"
OUTLET:
2 1/2"
OIL COOLER:
NO
REFERENCE:
FRE08



014

SOLDER ON
MT

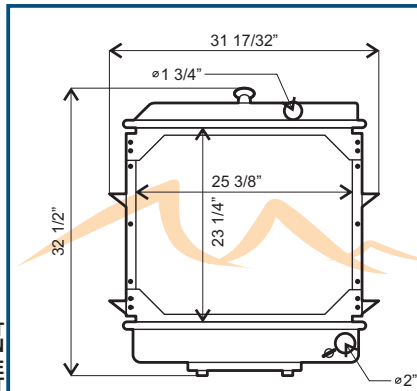
WITH OR WITHOUT FRAME

8138

FREIGHTLINER

CVTU-3/CVT-3/CVTU-4

CORE SIZE:
23 1/4" X 25 3/8"
INLET:
1 3/4"
OUTLET:
2"
OIL COOLER:
NO
REFERENCE:
UP 8138 RANDALL



015

BOLT ON
ONE PIECE
GASKET
MT

WITH FRAME

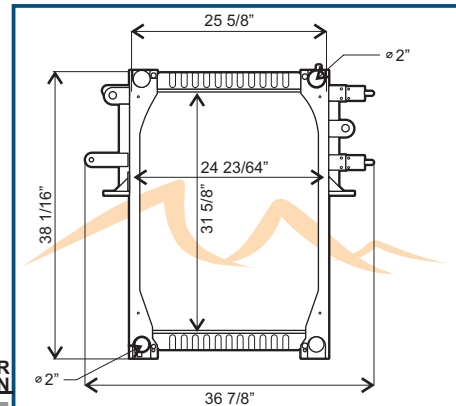
8141

FREIGHTLINER/MERCEDES BENZ

CVTM-3/CTVTM-3

BUSINESS CLASS M2 2008

CORE SIZE:
31 5/8" X 24 23/64"
INLET:
2"
OUTLET:
2"
OIL COOLER:
NO
REFERENCE:
B 9688
20050513055325



016

SOLDER ON
MT

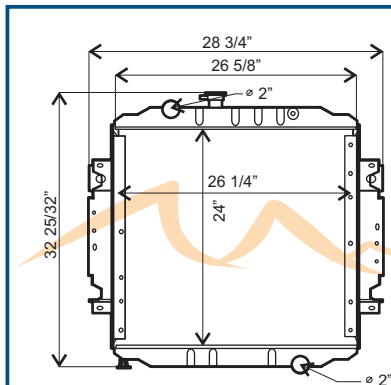
WITH OR WITHOUT FRAME

8151

FREIGHTLINER

CVTU-3/CVTM-3/CTVTM-3

CORE SIZE:
CORE 24" X 26 1/8"
24" X 26 1/4" CVTU-3
INLET:
2"
OUTLET:
2"
OIL COOLER:
NO
REFERENCE:
437195
800014
FRE14
239371
2002-1709 1102036
OEM1003434



017

RELEASE:
05/14

WITH OR WITHOUT SIDE CHANNELS

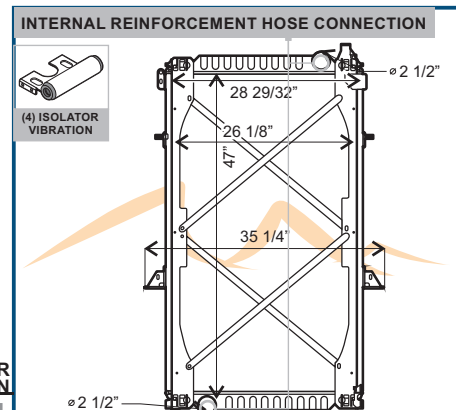
8152

FREIGHTLINER

CTVTM-3/CVTM-3

FLD 112, 120 ARGOSY COE

CORE SIZE:
47" X 26 1/8"
INLET:
2 1/2"
OUTLET:
2 1/2"
OIL COOLER:
NO
REFERENCE:
FRE16
2001-1713
8000-16
239369
2AH00096



018

RELEASE:
04/08

SOLDER ON
MT

WITH OR WITHOUT FRAME

<h3>8169 FREIGHTLINER</h3> <p>CAVTU-3/CTAVTU-3 FL50-90 SNOWPLOW 98-04</p> <p>CORE SIZE: 28 3/4" X 24 1/2" INLET: 2" OUTLET: 2" OIL COOLER: YES 101002 REFERENCE: NORTHERN 239358 SPECTRA 2001-1714C</p> <p>SOLDER ON AT</p> <p>019</p>	<h3>8171 FREIGHTLINER</h3> <p>CVTM-3/CTVTM-3/ CVTU-3/CVTU-3 COLUMBIA112-120, CENTURY SERIES, FLD-120, M2</p> <p>CORE SIZE: 41 15/16" X 30 23/32" INLET: 2 1/2" OUTLET: 2 1/2" OIL COOLER: NO REFERENCE: NORTHERN 239117 SPECTRA 2001-1724</p> <p>SOLDER ON MT</p> <p>020</p>
--	--

<h3>8184 FREIGHTLINER</h3> <p>CTVTM-3/CTVTU-3 COLUMBIA CENTURY M2</p> <p>CORE SIZE: 41 15/16" X 30 23/32" INLET: 2 1/2" OUTLET: 2 1/2" OIL COOLER: NO REFERENCE: FRE24 800024</p> <p>SOLDER ON MT</p> <p>021 RELEASE: 06/08</p>	<h3>8185 FREIGHTLINER/MERCEDES BENZ</h3> <p>CVTM-3 M2, MC, MM 06-09</p> <p>CORE SIZE: 31 3/4" X 26 1/8" INLET: 2" OUTLET: 2" OIL COOLER: NO REFERENCE: NORTHERN 239130, FRE41</p> <p>SOLDER ON MT</p> <p>022 RELEASE: 09/08</p>
---	---

<h3>8186 FREIGHTLINER/MERCEDES BENZ</h3> <p>CAVTM-3 M2 BUS 04-07</p> <p>CORE SIZE: 29 5/8" X 26 1/8" INLET: 2" OUTLET: 2" OIL COOLER: YES 756125 REFERENCE: NORTHERN 238617, FRE42, 8000-66-AP</p> <p>SOLDER ON AT</p> <p>023 RELEASE: 10/08</p>	<h3>8189 FREIGHTLINER</h3> <p>CVTX-2/CVTU-3/CVTM-3/ CVTU-3/CVT-CTVVT-4TT CENTURY, COLUMBIA, FL, FLD112-120 SERIES 97-07</p> <p>CORE SIZE: 36" X 31 1/2" INLET: 2 1/2" OUTLET: 2 1/2" OIL COOLER: NO REFERENCE: NORTHERN 239331, 239397, 2001-1707, 8000-07-AP</p> <p>SOLDER ON MT</p> <p>024 RELEASE: 07/08</p>
--	---

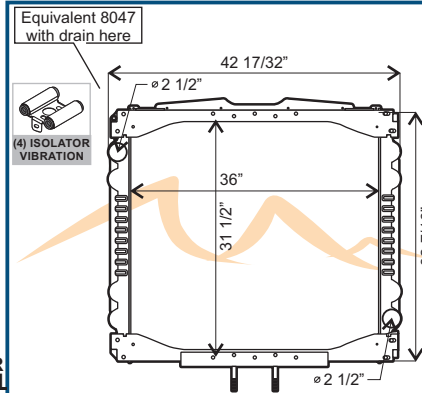
8215

FREIGHTLINER

CVTU-3

MOTORHOME, FIRE TRUCK 01-05

CORE SIZE:
36" X 31 1/2"
INLET:
2 1/2"
OUTLET:
2 1/2"
OIL COOLER:
NO
REFERENCE:
NORTHERN
239187, FRE23



SOLDER ON

025 RELEASE: 04/09

MT

WITH FRAME

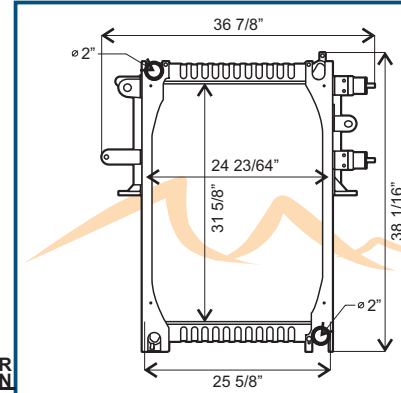
8216

FREIGHTLINER/MERCEDES BENZ

CVTM-3

BUSINESS CLASS M2

CORE SIZE:
31 5/8" X 24 23/64"
INLET:
2"
OUTLET:
2"
OIL COOLER:
NO
REFERENCE:
B 9688
20050513055325



SOLDER ON

026 RELEASE: 04/09

MT

WITH FRAME

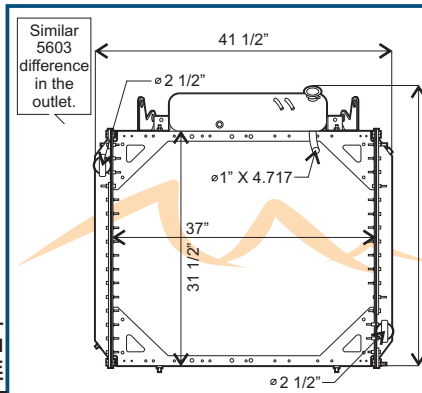
8231

FREIGHTLINER

CVT-4/CVTU-4

FLD 120

CORE SIZE:
37" X 31 1/2"
INLET:
2 1/2"
OUTLET:
2 1/2"
OIL COOLER:
NO
REFERENCE:
EX03AC0022SP
FRE21
800021
2101-1701



BOLT ON
ONE PIECE GASKET

027 RELEASE: 08/09

MT

WITH FRAME

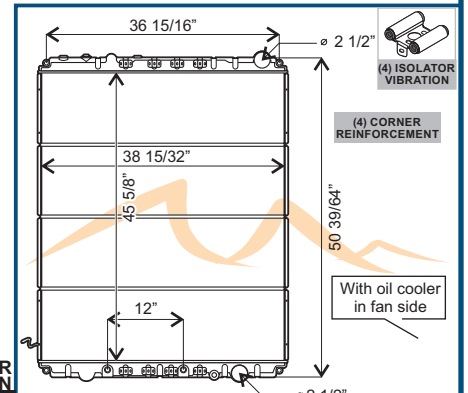
8238

FREIGHTLINER/STERLING

CTAVTM-4

CLASSIC XL 10-11, FLD D 06-09

CORE SIZE:
45 5/8" X 38 15/32"
INLET:
2 1/2"
OUTLET:
2 1/2"
OIL COOLER:
YES 756238
REFERENCE:
NORTHERN
239193, 800055,
Ak5752, S8055



SOLDER ON

028 RELEASE: 05/10

AT

WITHOUT FRAME

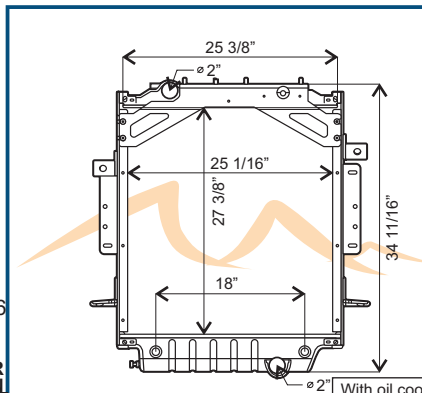
8254

FREIGHTLINER

CAVTU-3/CAVTM-3

WH-800 2820 03-04

CORE SIZE:
27 3/8" X 25 1/16"
INLET:
2"
OUTLET:
2"
OIL COOLER:
YES 101002
REFERENCE:
FRE27
FEDEX, UPS STEP VAN
MT-45, MT,55, MB-55
OEM VAB1003599, 97, 66



SOLDER ON

029 RELEASE: 11/09

AT

WITH FRAME

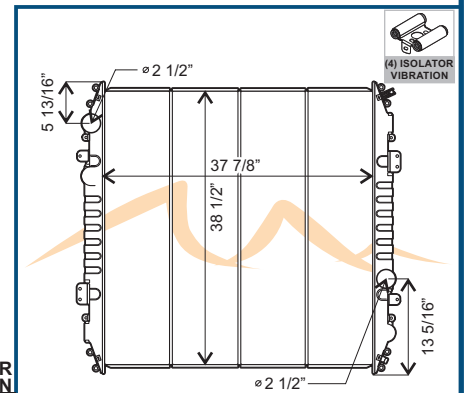
8262

FREIGHTLINER

CVTU-3

CORONADO

CORE SIZE:
37 7/8" X 38 1/2"
INLET:
2 1/2"
OUTLET:
2 1/2"
OIL COOLER:
NO
REFERENCE:
FRE13
2001-1712



SOLDER ON

030 RELEASE: 02/10

MT

WITHOUT FRAME

<h3>8269</h3> <p>CTVTU-3</p> <p>CORE SIZE: 41" X 28" INLET: 2" OUTLET: 2" OIL COOLER: NO REFERENCE: S8038 FRE38</p>	<h3>FREIGHTLINER</h3> <p>CONDOR</p> <p>WITHOUT FRAME</p>	<h3>8270</h3> <p>CTVTU-3</p> <p>CORE SIZE: 41" X 28" INLET: 2" OUTLET: 2" OIL COOLER: NO REFERENCE: S8039 FRE39 OEM A0520667000</p>	<h3>FREIGHTLINER</h3> <p>CONDOR</p> <p>WITHOUT FRAME</p>
<p>031 RELEASE: 01/10 MT</p>		<p>032 RELEASE: 12/09 MT</p>	

<h3>8271</h3> <p>CAVTU-3/CAVT-4TT</p> <p>CORE SIZE: 24" X 26 1/4" INLET: 2" OUTLET: 2" OIL COOLER: YES 101002 REFERENCE: FRE15FW VAB1003439 OEM 734358</p>	<h3>FREIGHTLINER</h3> <p>MT-55 FEDEX UPS STEPVAN</p> <p>WITH SIDE CHANNELS</p>	<h3>8273</h3> <p>CTAVTM-3</p> <p>CORE SIZE: 41 1/2" X 38 15/32" INLET: 2 1/2" OUTLET: 2 1/2" OIL COOLER: YES 758238 REFERENCE: NORTHERN 239159, 2001-1725, FRE54, 800047</p>	<h3>FREIGHTLINER/STERLING</h3> <p>CASCADIA, CENTURY, COLUMBIA, ARGOSY 08-13</p> <p>WITHOUT FRAME</p>
<p>033 RELEASE: 12/09 AT</p>		<p>034 RELEASE: 07/10 AT</p>	

<h3>8274</h3> <p>CAVTM-3/CTAVTM-3</p> <p>CORE SIZE: 38 7/8" X 38 15/32" INLET: 2 1/2" OUTLET: 2 1/2" OIL COOLER: YES 758238 REFERENCE: NORTHERN 239166 2001-1732, FRE70, 1A0202900002</p>	<h3>FREIGHTLINER/STERLING</h3> <p>CASCADIA, M2, CLASSIC, STERLING AT/LT 9500 SERIES 08-13</p> <p>WITH OR WITHOUT FRAME</p>	<h3>8303</h3> <p>CAVTM-3/CTAVTM-3/CTVTM-3</p> <p>CORE SIZE: 42 1/8" X 38 15/32" INLET: 2 1/2" OUTLET: 2 1/2" OIL COOLER: YES 758238 REFERENCE: NORTHERN 239004, 2001-1728, FRE68, 800068</p>	<h3>FREIGHTLINER/STERLING</h3> <p>CASCADIA, CLASSIC 120, M2 112 BASE 08-13</p> <p>WITH OR WITHOUT FRAME</p>
<p>035 RELEASE: 07/10 AT</p>		<p>036 RELEASE: 07/10 AT</p>	

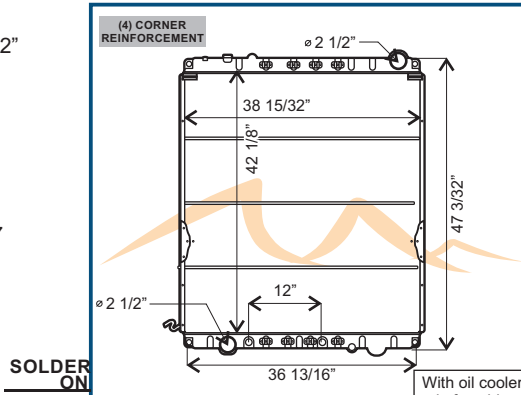
8314

FREIGHTLINER/STERLING

CTAVTM-3

M2

CORE SIZE:
42 1/8" X 38 15/32"
INLET:
2 1/2"
OUTLET:
2 1/2"
OIL COOLER:
YES 758238
REFERENCE:
SIMILAR 800057



037 RELEASE: 01/13

WITH OR WITHOUT FRAME

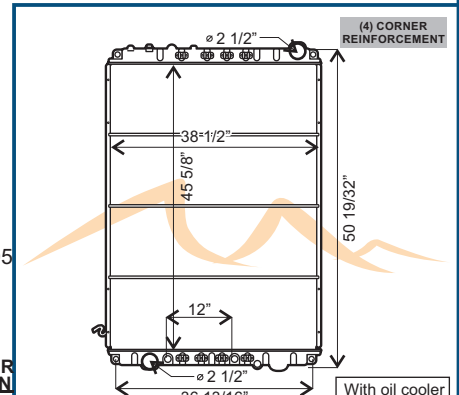
8315

FREIGHTLINER/STERLING

CTAVTU-4

CASCADIA 07-09

CORE SIZE:
45 5/8" X 38 1/2"
INLET:
2 1/2"
OUTLET:
2 1/2"
OIL COOLER:
YES 758238
REFERENCE:
NORTHERN 239065,
FRE46, OEM: 0526621005



038 RELEASE: 09/10

WITHOUT FRAME

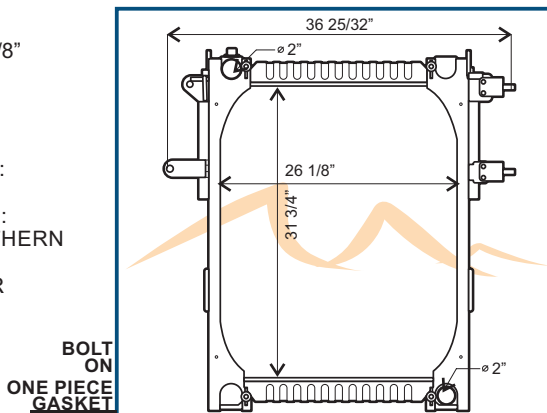
8316

FREIGHTLINER

CTC-3

M2

CORE SIZE:
31 3/4" X 26 1/8"
INLET:
2"
OUTLET:
2"
OIL COOLER:
NO
REFERENCE:
239018 NORTHERN
800054
8185 SIMILAR



039 RELEASE: 10/10

WITH FRAME

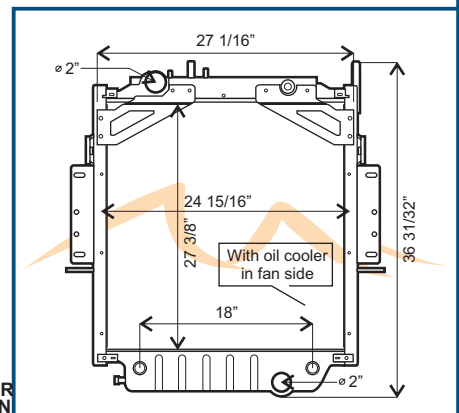
8317

FREIGHTLINER

CAVTU-3

WH-800 2820

CORE SIZE:
27 3/8" X 24 15/16"
INLET:
2"
OUTLET:
2"
OIL COOLER:
YES 101002
REFERENCE:
800027WF



040 RELEASE: 02/11

AVAILABLE WITH FRAME

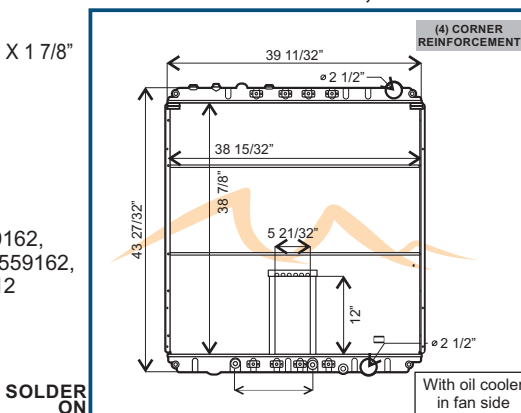
8333

FREIGHTLINER/STERLING

CTAVTM-3

COLUMBIA, M2, FLD BC 112/
At9500, Lt9500 08-09

CORE SIZE:
38 7/8" X 38 15/32" X 1 7/8"
INLET:
2 1/2"
OUTLET:
2 1/2"
OIL COOLER:
YES 758328
REFERENCE:
NORTHERN 239162,
FRE73, 900042, 559162,
OEM: 0527751012



041 RELEASE: 01/13

WITH OR WITHOUT FRAME

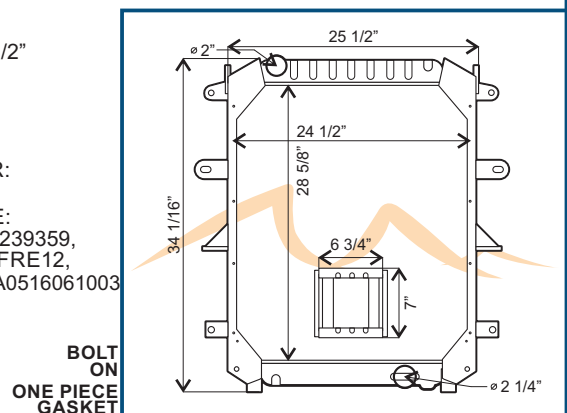
8334

FREIGHTLINER

CVTU-3

SERIES FI50 - 90 97-04 / ACTERRA Q MODEL 01-04

CORE SIZE:
28 5/8" X 24 1/2"
INLET:
2"
OUTLET:
2 1/4"
OIL COOLER:
NO
REFERENCE:
NORTHERN 239359,
2001-1205C, FRE12,
559359, OEM:A0516061003



042 RELEASE: 03/11

WITH FRAME

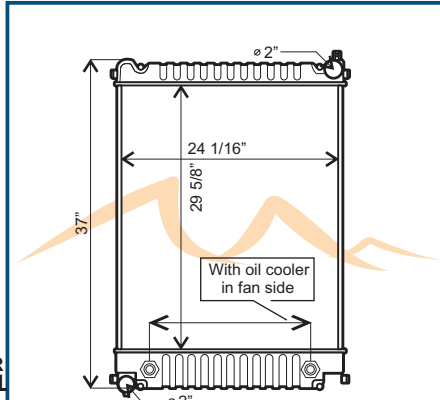
8362

FREIGHTLINER

CTAVTU-4TT

SCHOOL BUS F-5-65

CORE SIZE:
29 5/8" X 24 1/16"
INLET:
2"
OUTLET:
2"
OIL COOLER:
YES 756125
REFERENCE:
239191 NORTHERN



WITHOUT FRAME

043 RELEASE: 06/12

SOLDER ON

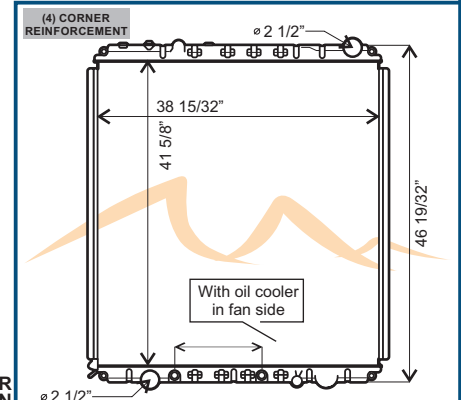
8375

FREIGHTLINER

CTAVTM-3

CASCADIA, CENTURY,
COLUMBIA 08-13 / L9500 09-10

CORE SIZE:
41 5/8" X 38 15/32"
INLET:
2 1/2"
OUTLET:
2 1/2"
OIL COOLER:
YES 758238 PLATES 5
REFERENCE:
NORTHERN 239195,
2001-1723, 800057,
FRE61, S8057, 559195



AVAILABLE WITH SIDE CHANNELS

044 RELEASE: 01/13

SOLDER ON

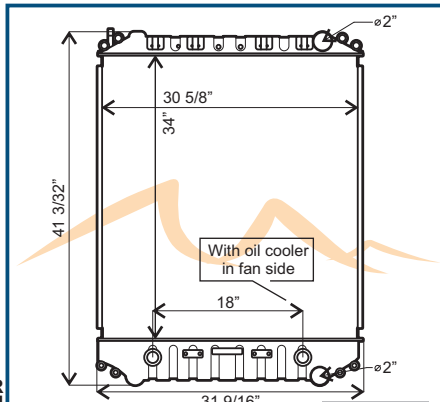
8391

FREIGHTLINER

CTAVTU-4TT/CTAUC-4TT

M2, 106 BUSINESS CLASS 08-09
ACTERRA 08-09

CORE SIZE:
34" X 30 5/8"
INLET:
2"
OUTLET:
2"
OIL COOLER:
YES 756125
REFERENCE:
NORTHERN 239087,
FRE66, OEM:900050,
A0528482000



WITH SIDE CHANNELS

045 RELEASE: 09/12

SOLDER ON

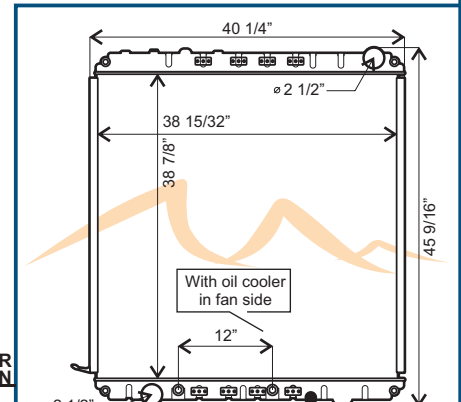
8402

FREIGHTLINER/STERLING

CTAVTM-3/CTAVTU-4TT

8901

CORE SIZE:
38 7/8" X 38 15/32"
INLET:
2 1/2"
OUTLET:
2 1/2"
OIL COOLER:
YES 758238
REFERENCE:
900098



WITH SIDE CHANNELS

046 RELEASE: 09/12

SOLDER ON

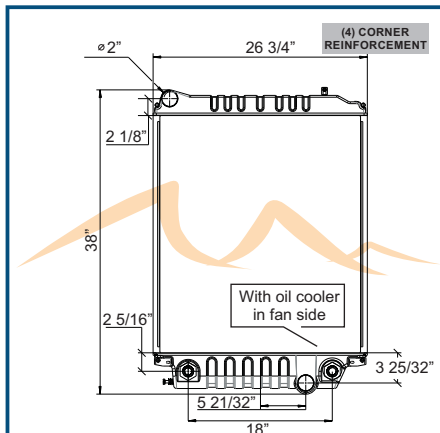
8413

FREIGHTLINER

CTAVTU-4TT/CVTU-4TT

THOMAS BUS SERIES LT, B2, C2 07-13

CORE SIZE:
29 5/8" X 24 15/16"
INLET:
2"
OUTLET:
2"
OIL COOLER:
YES 101002
REFERENCE:
NORTHERN 238619,
2001-1721, 310081AP,
1040293AS



047 RELEASE: 04/15

(4) CORNER REINFORCEMENT

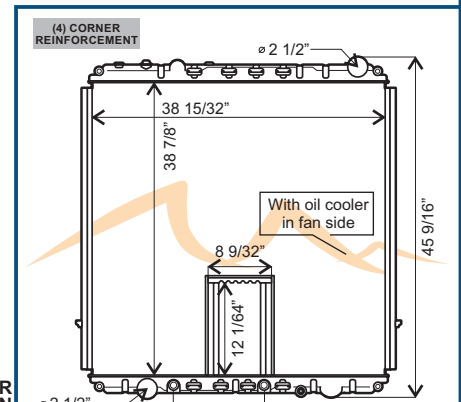
8416

FREIGHTLINER

CTAVTM-3

CASCADIA STERLING 2008

CORE SIZE:
38 7/8" X 38 15/32"
INLET:
2 1/2"
OUTLET:
2 1/2"
OIL COOLER:
YES 758238
REFERENCE:
FR64PTO



WITHOUT FRAME

048 RELEASE: 01/13

SOLDER ON

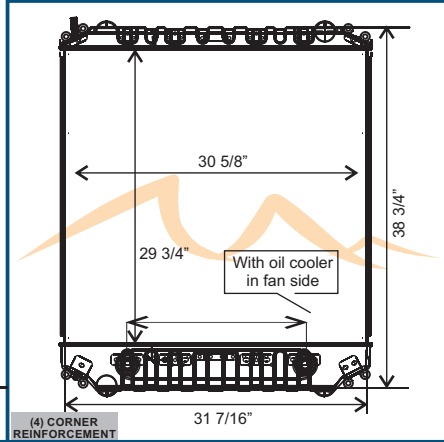
8422

FREIGHTLINER/STERLING

CTAVTU-4TT

BUSINESS CLASS M2, M2 106 BASE 07-14

CORE SIZE:
29 3/4" X 30 5/8"
INLET:
2"
OUTLET:
2"
OIL COOLER:
YES
REFERENCE:
NORTHERN 238616,
2001-1749, FRE82,
900052AP,
OEM:0525194000



049 RELEASE: 10/13

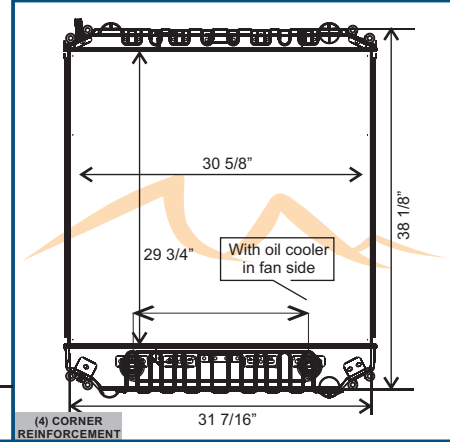
8423

FREIGHTLINER/STERLING

CTAVTU-4/CTAVTU-4TT

M2/106 BUSINESS 2008-2013

CORE SIZE:
29 3/4" X 30 5/8"
29 3/4" X 30 1/32" (4TT)
INLET:
2"
OUTLET:
2"
OIL COOLER:
YES 756125
REFERENCE:
900051ST
238615



050 RELEASE: 06/14

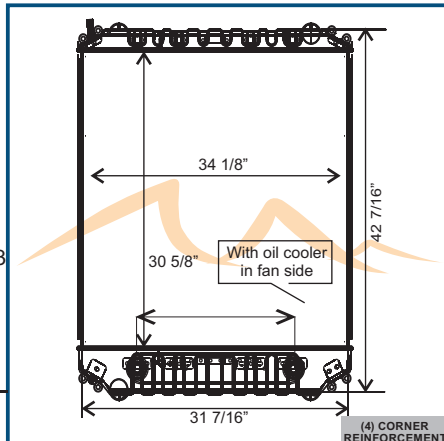
8424

FREIGHTLINER/STERLING

CTAVTU-4TT

BUSINESS CLASS M2 BASE, M2 106 Y M2 112
BASE 08-13 ACTERRA BASE Q MODEL 08-10

CORE SIZE:
34 1/8" X 30 5/8"
INLET:
2"
OUTLET:
2"
OIL COOLER:
YES
REFERENCE:
NORTHERN 238614,
2001-1748, FRE84, 900053
OEM:A0252424006



051 RELEASE: 10/13

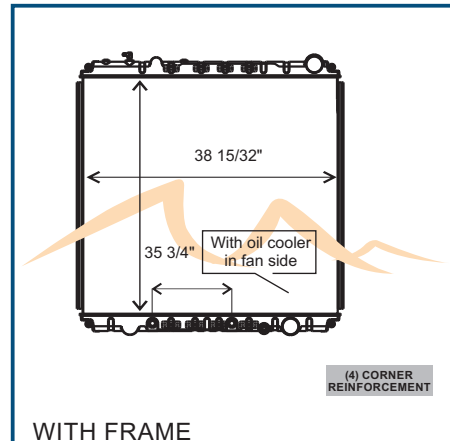
8505

FREIGHTLINER

CTAVTM-3

CASCADIA 113 & 125 12-15

CORE SIZE:
35 3/4" X 38 15/32"
INLET:
2 1/2"
OUTLET:
2 1/2"
OIL COOLER:
YES 758238
REFERENCE:
NORTHERN 238713,
2001-1755, FRE108AP,
OEM:0530990001



052 RELEASE: 01/15

WITH FRAME

NOTES

Radiators

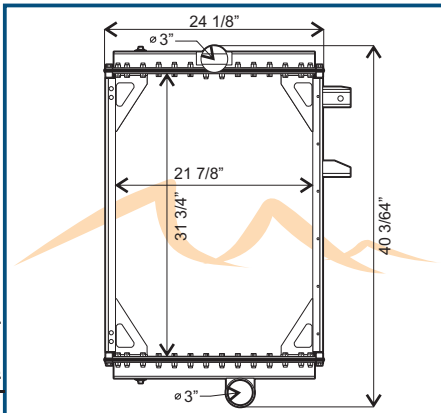
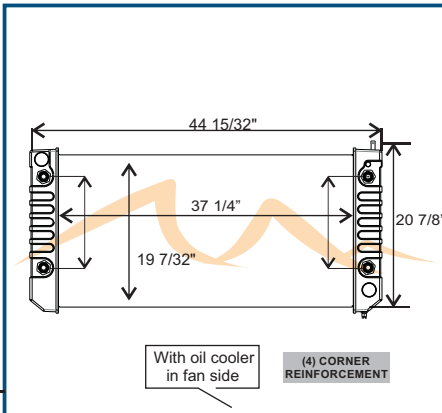
PHAR

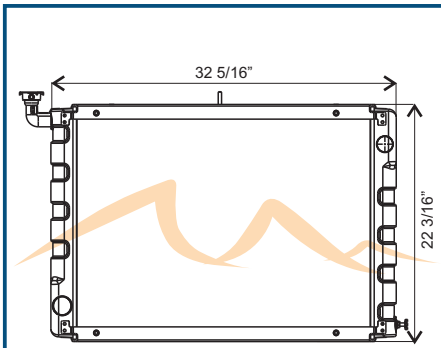
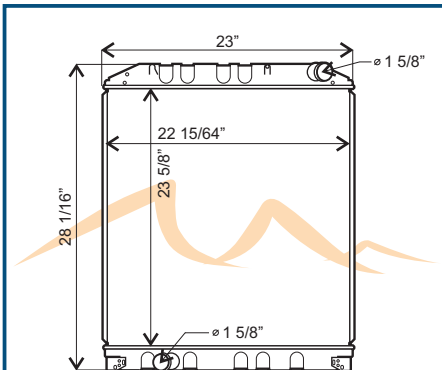
GILLIUS BUS

GMC

HINO

2018

8249	GILLIUS BUS	8459	GMC
CME-6	TRANSIT BUS 96-07	CTAVT-4TT	C4500, C5500, C6500 KODIAK, TOPKICK 03-07
<p>CORE SIZE: 31 3/4" X 21 7/8"</p> <p>INLET: 3"</p> <p>OUTLET: 3"</p> <p>OIL COOLER: NO</p> <p>REFERENCE: NORTHERN 238818, TAL073109, 250RA042</p>	 <p>WITH FRAME</p>	<p>CORE SIZE: 37 1/4" X 19 7/32"</p> <p>INLET: 1 3/4"</p> <p>OUTLET: 1 3/4"</p> <p>OIL COOLER: YES 758363</p> <p>REFERENCE: NORTHERN 239023, GMC34, 580033, OEM:SCSI239023</p>	 <p>With oil cooler in fan side (4) CORNER REINFORCEMENT</p>
001 RELEASE: 03/10	MT	002 RELEASE: 02/14	

8470	GMC	8339	HINO
CVTU-4TT	TRUCK	CTVTM-8339-2	300 SERIES 07-10
<p>CORE SIZE: 27 7/16" X 21"</p> <p>INLET: 1 1/2"</p> <p>OUTLET: 1 3/4"</p> <p>OIL COOLER: NO</p> <p>REFERENCE: 5800-36</p>		<p>CORE SIZE: 23 5/8" X 21 11/64"</p> <p>INLET: 1 5/8"</p> <p>OUTLET: 1 5/8"</p> <p>OIL COOLER: NO</p> <p>REFERENCE: OEM: 16400-78600</p>	 <p>WITHOUT FRAME</p>
003 RELEASE: 05/14		004 RELEASE: 08/11	SOLDER ON

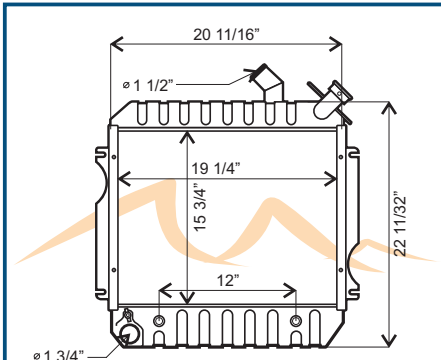
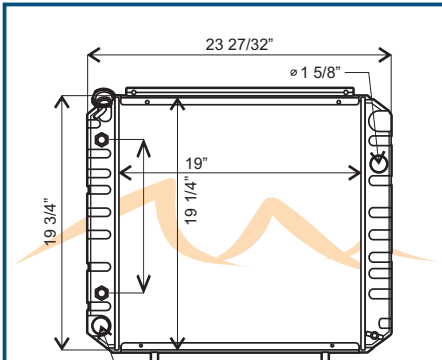
NOTES

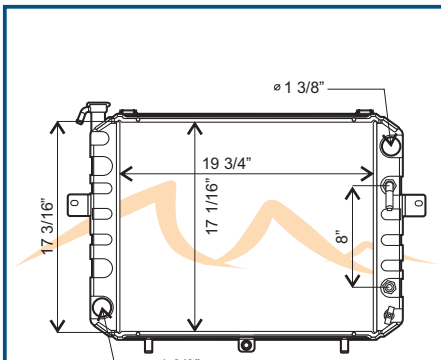
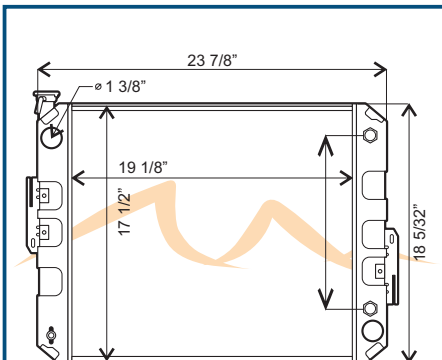
Radiators

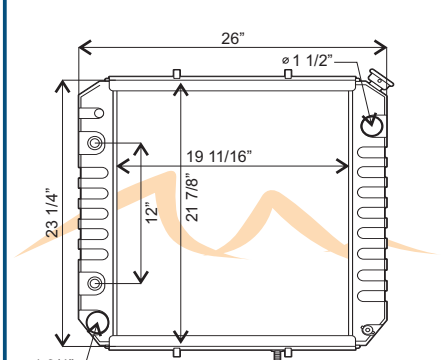
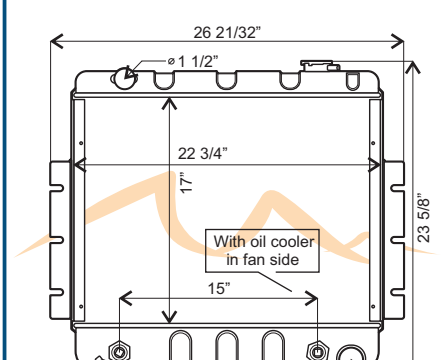
PHAIR

**HYSTER
HYUNDAI
IH**

2018

<h3>8211</h3> <p>CATC-5</p> <p>CORE SIZE: 15 3/4" X 19 1/4" INLET: 1 1/2" OUTLET: 1 3/4" OIL COOLER: YES 756491 REFERENCE: 249270</p>	<h3>HYSTER</h3> <p>FORKLIFT</p>  <p>WITH SIDE CHANNELS</p>	<h3>8227</h3> <p>CAVT-4/CAVTU-4</p> <p>CORE SIZE: 19" X 19 1/4" INLET: 1 3/8" OUTLET: 1 3/8" OIL COOLER: YES 752827 REFERENCE: 41131</p>	<h3>HYSTER</h3> <p>FORKLIFT D187</p>  <p>WITH SIDE CHANNELS</p>
--	--	---	---

<h3>8228</h3> <p>CAVT-4</p> <p>CORE SIZE: 19 3/4" X 17 1/16" INLET: 1 3/8" OUTLET: 1 3/8" OIL COOLER: YES 758228 REFERENCE: WORKS 4196</p>	<h3>HYSTER/YALE</h3> <p>FORKLIFT</p>  <p>WITH SIDE CHANNELS</p>	<h3>8243</h3> <p>CATA-4</p> <p>CORE SIZE: 19 1/8" X 17 1/2" INLET: 1 3/8" OUTLET: 1 3/8" OIL COOLER: YES 6 PLATES (101151) REFERENCE: 246299 NORTHERN</p>	<h3>HYSTER/YALE</h3> <p>FORKLIFT H45-65XM (DIESEL)</p>  <p>WITH SIDE CHANNELS</p>
---	--	--	--

<h3>8251</h3> <p>CAZC-3</p> <p>CORE SIZE: 19 11/16" X 21 7/8" INLET: 1 1/2" OUTLET: 1 3/4" OIL COOLER: YES 758251 REFERENCE: 246297 NORTHERN</p>	<h3>HYSTER</h3> <p>H80XM FORKLIFT</p>  <p>WITH SIDE CHANNELS</p>	<h3>8252</h3> <p>CAZC-3</p> <p>CORE SIZE: 17" X 22 3/4" INLET: 1 1/2" OUTLET: 1 3/4" OIL COOLER: YES 758252 REFERENCE: H80 XM 246296</p>	<h3>HYSTER</h3> <p>FORKLIFT HX70XM</p>  <p>WITH SIDE CHANNELS</p>
---	--	---	---

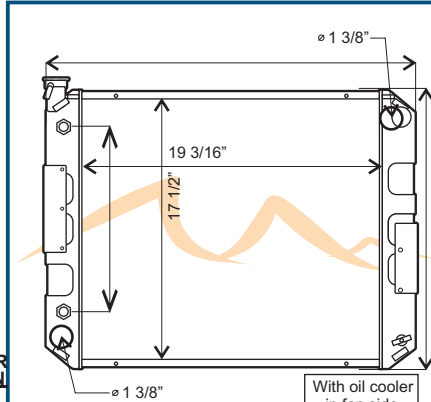
8281

HYSTER

CATA-4

FORKLIFT H45-65XM

CORE SIZE:
19 3/16" X 17 1/2"
INLET:
1 3/8"
OUTLET:
1 3/8"
OIL COOLER:
YES 101151 10 PLATES
REFERENCE:
246290 NORTHERN
OEM 1338328
770016



007 RELEASE:
12/10

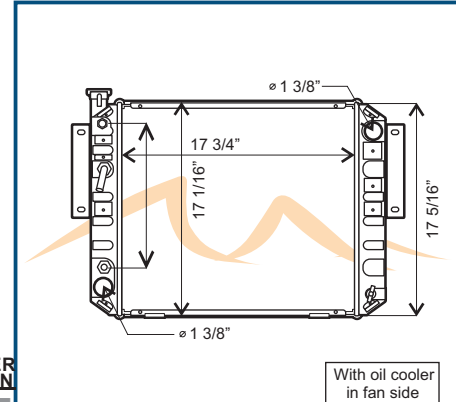
8311

HYSTER/YALE

CAVTU-3

H25-35XM. 560ES/504XMS

CORE SIZE:
17 3/4" X 17 1/16"
INLET:
1 3/8"
OUTLET:
1 3/8"
OIL COOLER:
YES 758311
REFERENCE:
246086



008 RELEASE:
09/10

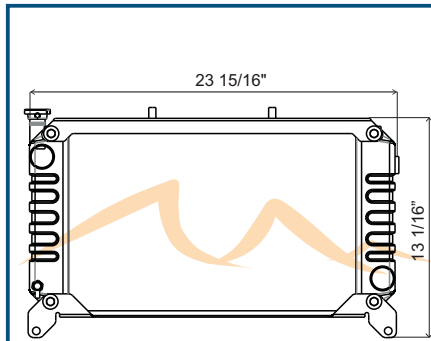
8469

HYSTER / YALE

CUC-5

LIFT TRUCK GDP20, GDP25, GDP30

CORE SIZE:
18 7/8" X 11 3/8"
INLET:
1 1/2"
OUTLET:
1 1/2"
OIL COOLER:
NO
REFERENCE:
246308
OEM: 3089240, 3259297
1108924, 8528255



009 RELEASE:
05/14

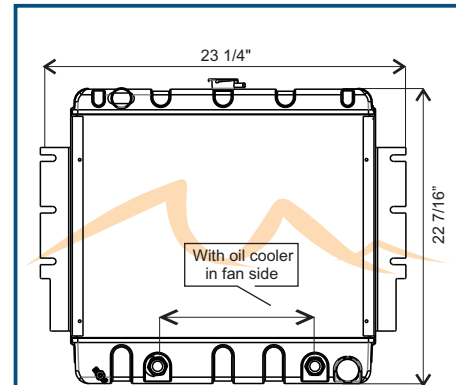
8471

HYSTER / YALE

CAUC-5

LIFT TRUCK

CORE SIZE:
16 1/4" X 21 7/8"
INLET:
1 1/2"
OUTLET:
1 3/4"
OIL COOLER:
YES 758251
REFERENCE:
410200
246318



010 RELEASE:
05/14

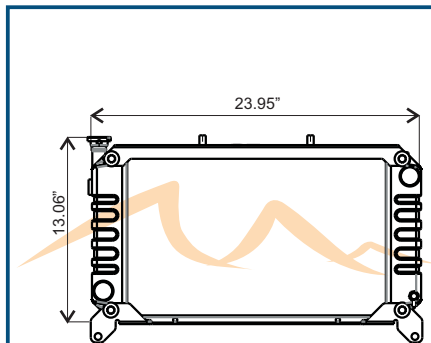
8496

HYSTER / YALE

CTC-5/CTA-6

LIFT TRUCK

CORE SIZE:
18 7/8" X 11 13/16"
INLET:
1.375"
OUTLET:
1.375"
OIL COOLER:
NO
REFERENCE:
246309
OEM: 3089232
580061780



011 RELEASE:
07/14

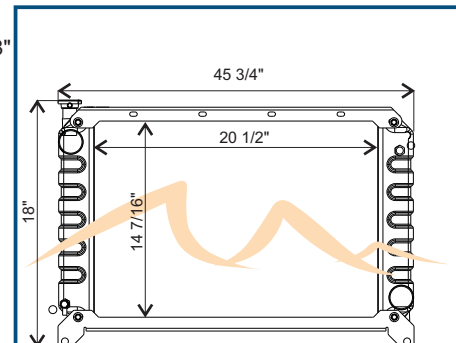
8528

HYSTER

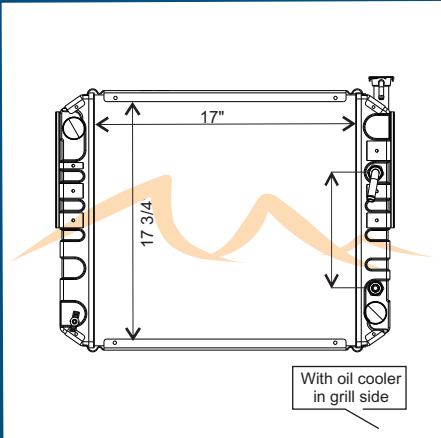
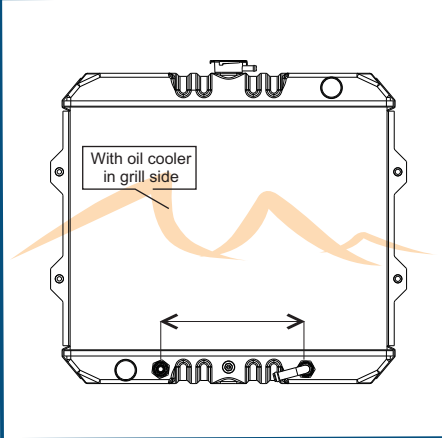
CUC-8TT

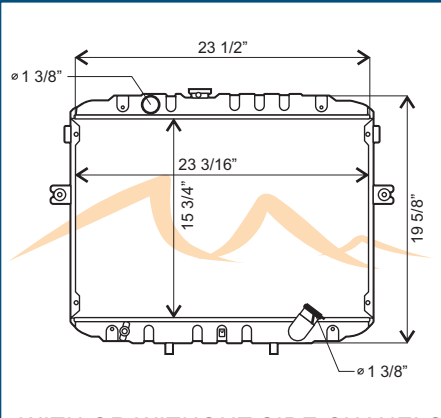
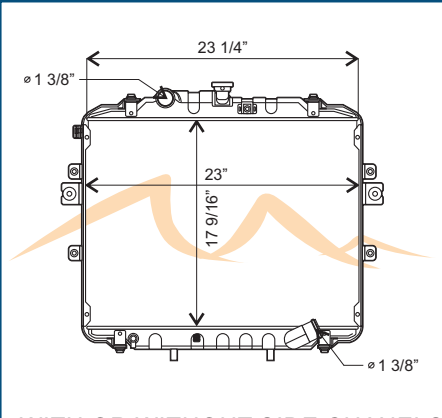
H110 ft 1 1500 Lbs

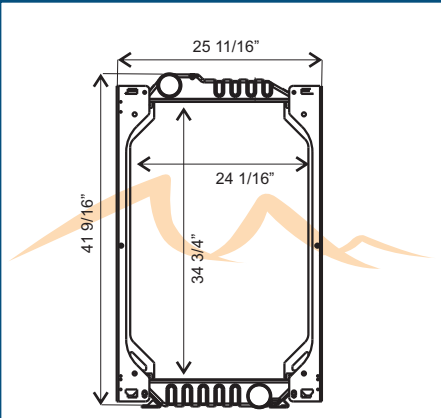
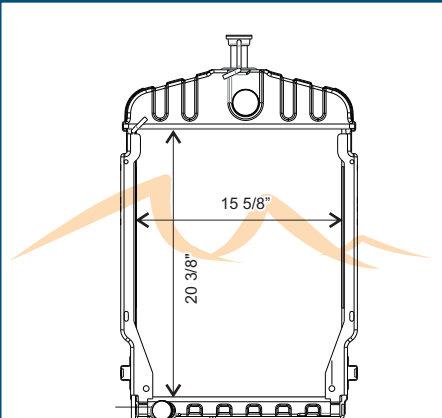
CORE SIZE:
20 1/2" X 14 7/16" X 4 3/8"
INLET:
1 3/4"
OUTLET:
1 3/4"
OIL COOLER:
NO
REFERENCE:
H110 ft 1 1500 Lbs



012 RELEASE:
01/16

<p>8531</p> <p>CABE-4TT</p> <p>CORE SIZE: 17 3/4" X 17" X 2 1/16"</p> <p>INLET: 1 1/2"</p> <p>OUTLET: 1 1/2"</p> <p>OIL COOLER: YES 758311</p> <p>REFERENCE: NORTHERN 246213, 1329169</p> <p>013 RELEASE: 03/16</p>	<p>HYSTERYALE</p> <p>LIFT TRUCK & FORKLIFT</p> 	<p>8561</p> <p>CATC-3</p> <p>CORE SIZE: 14 3/4" X 19 1/4" X 2 1/8"</p> <p>INLET: 1 1/4"</p> <p>OUTLET: 1 1/4"</p> <p>OIL COOLER: YES 758561</p> <p>REFERENCE: NORTHERN 246110, OEM: 9360120400 , 9360130400 , 9360100400 , 9360110400</p> <p>014 RELEASE: 02/17</p>	<p>HYSTER</p> <p>CATERPILLAR FORKLIFT GC20K, GC25K, GC30K, FGC20K, FGC25K, FGC30K</p> 
--	--	--	---

<p>8178</p> <p>CVTM-2/CTVTM-2</p> <p>CORE SIZE: 15 3/4" X 23 3/16"</p> <p>INLET: 1 3/8"</p> <p>OUTLET: 1 3/8"</p> <p>OIL COOLER: NO</p> <p>REFERENCE: NATIONAL MARKET</p> <p>015 RELEASE: 10/09</p> <p>MT</p>	<p>HYUNDAI</p> <p>H-100 04-06</p> 	<p>8183</p> <p>CVTM-3/CTVTM-3</p> <p>CORE SIZE: 17 9/16" X 23"</p> <p>INLET: 1 3/8"</p> <p>OUTLET: 1 3/8"</p> <p>OIL COOLER: NO</p> <p>REFERENCE: NATIONAL MARKET</p> <p>016 RELEASE: 10/09</p> <p>MT</p>	<p>HYUNDAI</p> <p>H-100 DIESEL</p> 
---	--	---	---

<p>8521</p> <p>CVTU-4TT</p> <p>CORE SIZE: 34 3/4" X 24 1/16" X 2 1/16"</p> <p>INLET: 2 3/4"</p> <p>OUTLET: 2 3/4"</p> <p>OIL COOLER: NO</p> <p>REFERENCE: CITY GNC</p> <p>017 RELEASE: 07/15</p>	<p>HYUNDAI</p> <p>SUPER AERO</p> 	<p>8449</p> <p>CNA-4</p> <p>CORE SIZE: 20 3/8" X 15 5/8"</p> <p>INLET: 2"</p> <p>OUTLET: 1 1/2"</p> <p>OIL COOLER: NO</p> <p>REFERENCE: OE: 377090, R92</p> <p>018 RELEASE: 06/14</p>	<p>IH</p> <p>FARMOLL 504</p> 
---	--	--	--

Radiators



PHAIR

**INTERNATIONAL
NAVISTAR**

2018

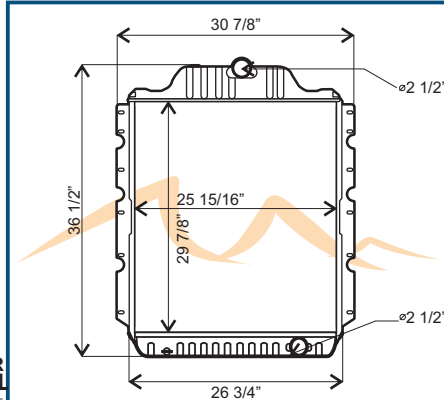
3972

INTERNATIONAL/NAVISTAR

CVTU-3/CVTU-4

S-600 92-94

CORE SIZE:
29 7/8" X 25 15/16"
INLET:
2 1/2"
OUTLET:
2 1/2"
OIL COOLER:
NO
REFERENCE:
640051
232129
INT50
2117 DPI



SOLDER ON

MT

WITH SIDE CHANNELS

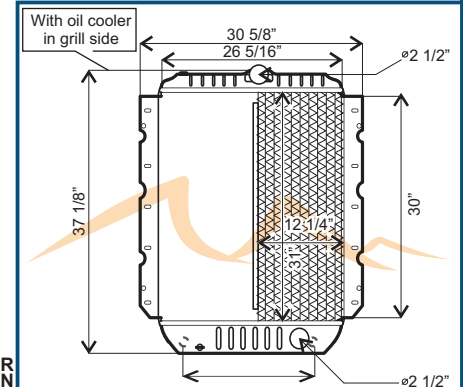
001

3973

INTERNATIONAL/NAVISTAR

CVTU-4/CAVTU-4/CVTU-3/CAVTU-3S-400, S-500 92-94

CORE SIZE:
31" X 12 1/4"
INLET:
2 1/2"
OUTLET:
2 1/2"
OIL COOLER:
YES 101002
REFERENCE:
640056
2006-3509
640055
INT55
2006-3501



SOLDER ON

MT/AT

WITH SIDE CHANNELS

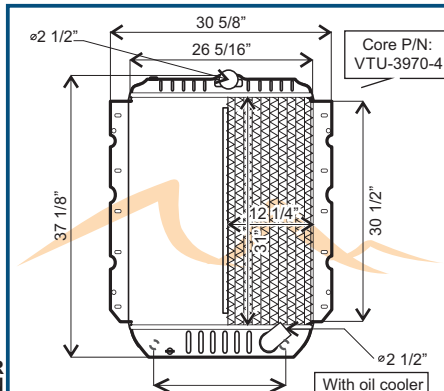
002

3974

INTERNATIONAL/NAVISTAR

CVTU-4/CAVTU-4/CVTU-3/CAVTU-3S-400, S-500 94-98

CORE SIZE:
31" X 12 1/4"
INLET:
2 1/2"
OUTLET:
2 1/2"
OIL COOLER:
YES
REFERENCE:
640057
640058
INT57
INT58
2006-3506
2006-3508
238511, 437310S



SOLDER ON

MT/AT

WITH SIDE CHANNELS

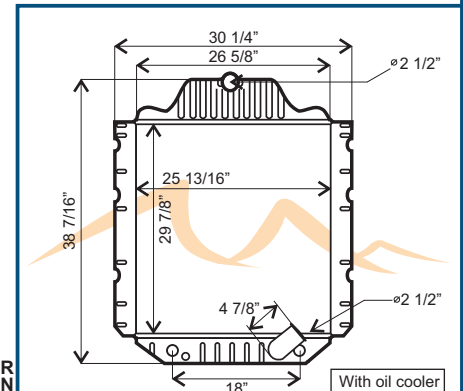
003

3975

INTERNATIONAL NAVISTAR

CVTU-3/CVTU-4/CAVTU-4/CAVTU-3 S-600 94-98

CORE SIZE:
29 7/8" X 25 13/16"
INLET:
2 1/2"
OUTLET:
2 1/2"
OIL COOLER:
YES 101002
REFERENCE:
INT54
640053
INT53
640054
2118 DPI



SOLDER ON

MT/AT

WITH SIDE CHANNELS

004

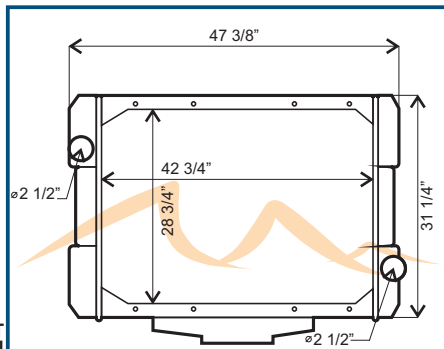
5600

INTERNATIONAL/NAVISTAR

CRE-4/CVTU-4

D-9400

CORE SIZE:
42 3/4" X 28 3/4"
INLET:
2 1/2"
OUTLET:
2 1/2"
OIL COOLER:
NO
REFERENCE:
SRM7176
437176
2101-3518
239393
NAV20
437176TNP



BOLT ON
ONE PIECE
GASKET

MT

WITH FRAME

005

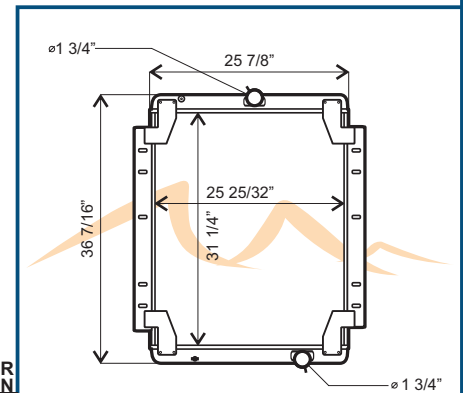
5960

INTERNATIONAL/NAVISTAR

CVT-3/CVTU-3/CVT-4

BUS S-500 87-92

CORE SIZE:
31 1/4" X 25 25/32"
INLET:
1 3/4"
OUTLET:
1 3/4"
OIL COOLER:
NO
REFERENCE:
NATIONAL MARKET



SOLDER ON

MT

WITH FRAME

006

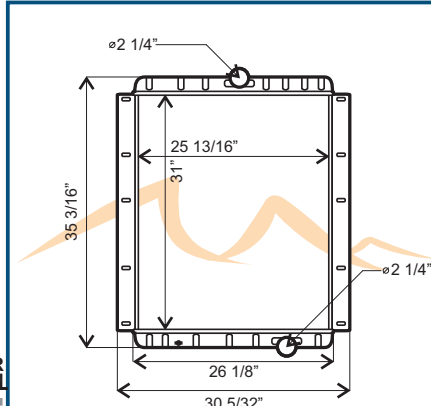
5962

INTERNATIONAL/NAVISTAR

CVT-3/CVTU-3/CVT-4

BUS S-500 87-92

CORE SIZE:
31" X 25 13/16"
INLET:
2 1/4"
OUTLET:
2 1/4"
OIL COOLER:
NO
REFERENCE:
NO



SOLDER ON
MT

WITH SIDE CHANNELS

007

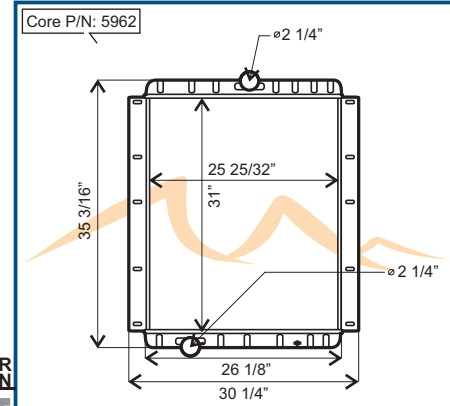
5963

INTERNATIONAL/NAVISTAR

CVT-3/CVTU-3

BUS S-500 87-92

CORE SIZE:
31" X 25 25/32"
INLET:
2 1/4"
OUTLET:
2 1/4"
OIL COOLER:
NO
REFERENCE:
NO



SOLDER ON
MT

WITH SIDE CHANNELS

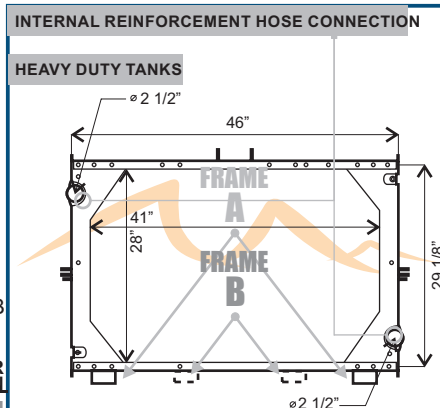
008

5967

INTERNATIONAL/NAVISTAR

CTVTU-3/CTVTM-3/CVTU-3/CVTM-3 TRUCK 9200-9400 96-02

CORE SIZE:
41" X 28"
INLET:
2 1/2"
OUTLET:
2 1/2"
OIL COOLER:
NO
REFERENCE:
640003
NAV03
239323 (A), 239324 (B)
640003WFA, 310003WFB
437121TNP
2001-3503



SOLDER ON
MT

WITH OR WITHOUT FRAME

009

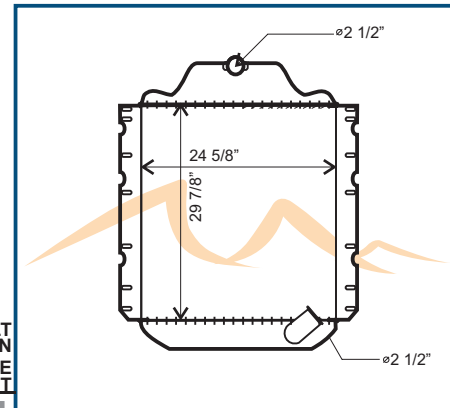
6119

INTERNATIONAL/NAVISTAR

CVTW-3

S-600 94-98

CORE SIZE:
29 7/8" X 24 5/8"
INLET:
2 1/2"
OUTLET:
2 1/2"
OIL COOLER:
NO
REFERENCE:
NATIONAL MARKET



BOLT ON
ONE PIECE GASKET
MT

WITH FRAME

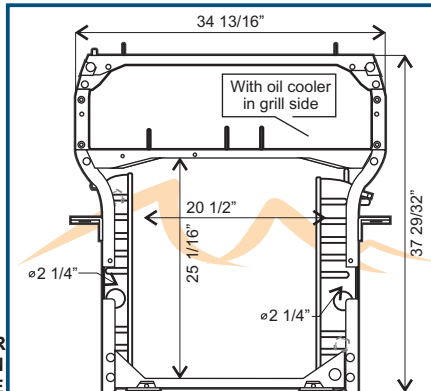
010

6125

INTERNATIONAL/NAVISTAR

CVTX-2/CTVTX-2/CAVTU-3
CAVTX-2/CVTU-3/CTVTU-3 BUS 00-03 DT-466 02-03 4600/4300

CORE SIZE:
20 1/2" X 24 15/16"
INLET:
2 1/4"
OUTLET:
2 1/4"
OIL COOLER:
YES 756125
REFERENCE:
SRM6125
640008
NAV08/NAV12
SRM6125-AT
239328/239329
640012



SOLDER ON
ONE PIECE GASKET
MT

AVAILABLE WITH FRAME

011

RELEASE:
08/11

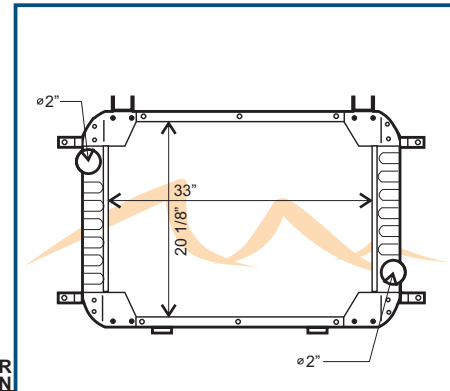
6211

INTERNATIONAL/NAVISTAR

CVTU-3

MODULE 3H 98-99

CORE SIZE:
33" X 20 1/8"
INLET:
2"
OUTLET:
2"
OIL COOLER:
NO
REFERENCE:
NO



SOLDER ON
MT

WITH FRAME

012

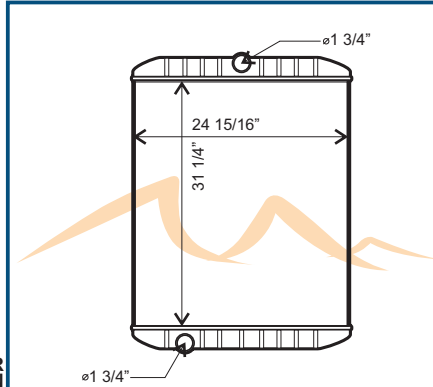
6250

INTERNATIONAL/NAVISTAR

CTVTU-3

02-03

CORE SIZE:
31 1/4" X 24 15/16"
INLET:
1 3/4"
OUTLET:
1 3/4"
OIL COOLER:
NO
REFERENCE:



SOLDER ON

MT

WITHOUT FRAME

013

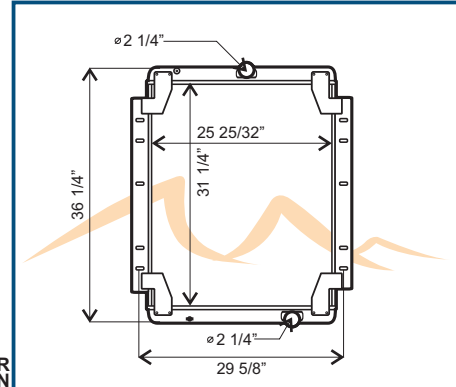
8029

INTERNATIONAL/NAVISTAR

CVT-3/CVTU-3/CVTU-4

BUS S-500 87-92

CORE SIZE:
31 1/4" X 25 25/32"
INLET:
2 1/4"
OUTLET:
2 1/4"
OIL COOLER:
NO
REFERENCE:
NATIONAL MARKET



SOLDER ON

MT

WITH FRAME

014

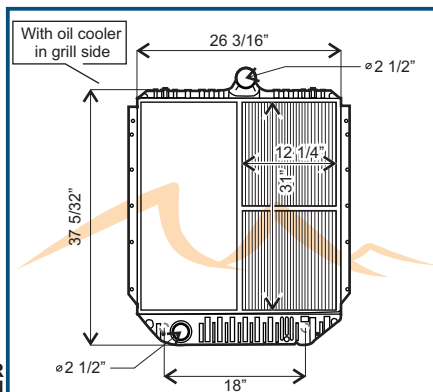
8077

INTERNATIONAL/NAVISTAR

CAVTU-4

4900 SERIES

CORE SIZE:
31" X 12 1/4"
INLET:
2 1/2"
OUTLET:
2 1/2"
OIL COOLER:
YES 101002
REFERENCE:
640060
INT60
2006-3505
11-C9265
ACE 45505
238575



SOLDER ON

AT

WITH SIDE CHANNELS

015

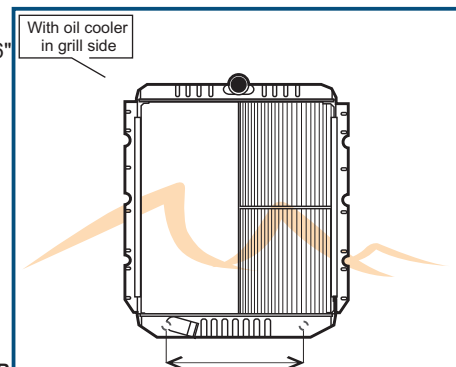
8078

INTERNATIONAL/NAVISTAR

CAVTM-4/CAVTU-4/CAVT-4TT

4400, 7300 SERIES

CORE SIZE:
30 1/2" X 12 1/8" X 2 1/16"
INLET:
2 1/2"
OUTLET:
2 1/4"
OIL COOLER:
YES 101002
REFERENCE:
640059
INT59
2006-3507
235816



SOLDER ON

AT

WITH SIDE CHANNELS

016

RELEASE: 09/06

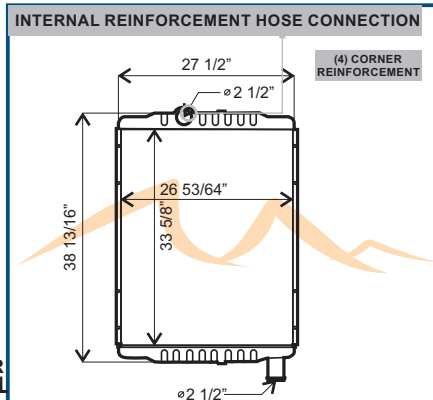
8090

INTERNATIONAL/NAVISTAR

CTVTM-3/CTVTU-3/CTVTU-4TT/
CTIE-4

9900i SERIES

CORE SIZE:
33 5/8" X 26 53/64"
INLET:
2 1/2"
OUTLET:
2 1/2"
OIL COOLER:
NO
REFERENCE:
6400-15
NAV15



SOLDER ON

MT

WITHOUT SIDE CHANNELS

017

RELEASE: 01/15

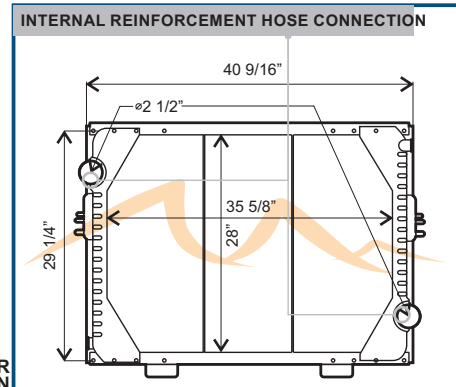
8107

INTERNATIONAL/NAVISTAR

CVTU-3/CTVTU-3

500 SFA 8100 SERIES

CORE SIZE:
35 5/8" X 28"
INLET:
2 1/2"
OUTLET:
2 1/2"
OIL COOLER:
NO
REFERENCE:
N640005
NAV05
2001-3502
239366
640005WF
437122



SOLDER ON

MT

WITH OR WITHOUT FRAME

018

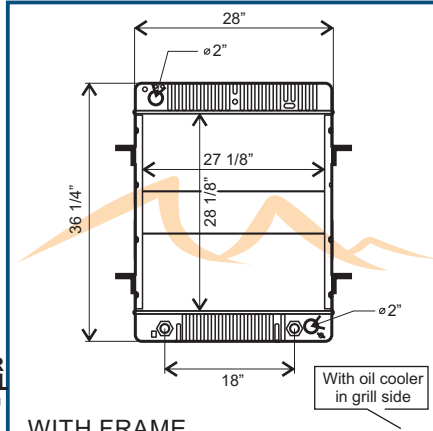
8111

INTERNATIONAL/NAVISTAR

CAVTU-3

BUS TH 001

CORE SIZE:
28 1/8" X 27 1/8"
INLET:
2"
OUTLET:
2"
OIL COOLER:
YES 101002
REFERENCE:
IB 8111



SOLDER ON

AT

WITH FRAME

019

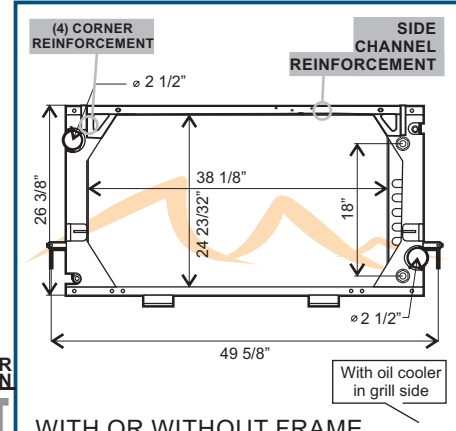
8142

INTERNATIONAL/NAVISTAR

CVTM-3/CAVTM-3

7300,7400,7600
SERIES DL 503 E 03-06

CORE SIZE:
38 1/8" X 24 23/32"
INLET:
2 1/2"
OUTLET:
2 1/2"
OIL COOLER:
YES
REFERENCE:
IN 7411
56411
NAV11
NAV14 AUT
239258AUT



SOLDER ON

MT

WITH OR WITHOUT FRAME

020 RELEASE: 02/08

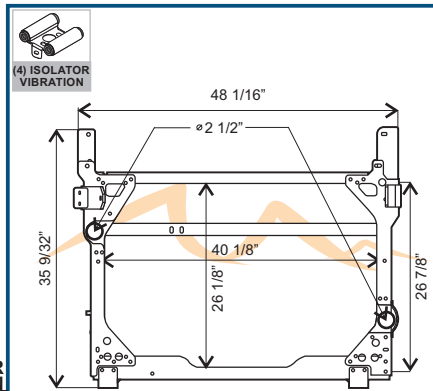
8143

INTERNATIONAL/NAVISTAR

CTVTM-3/CTVTU-3/CVTM-3

PROSTAR SERIES 8

CORE SIZE:
40 1/8" X 26 1/8"
INLET:
2 1/2"
OUTLET:
2 1/2"
OIL COOLER:
NO
REFERENCE:
6400-20 NAVISTAR



SOLDER ON

MT

WITH OR WITHOUT FRAME

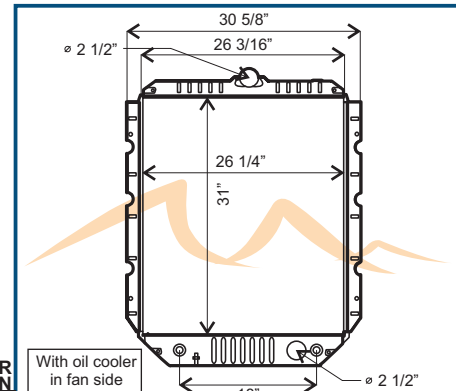
021 RELEASE: 01/08

8150

INTERNATIONAL/NAVISTAR

CAVTU-3

CORE SIZE:
31" X 26 1/4"
INLET:
2 1/2"
OUTLET:
2 1/2"
OIL COOLER:
YES 101002
REFERENCE:
INT30
230271
2006-3517
OEM 49336764



SOLDER ON

AT

WITH SIDE CHANNELS

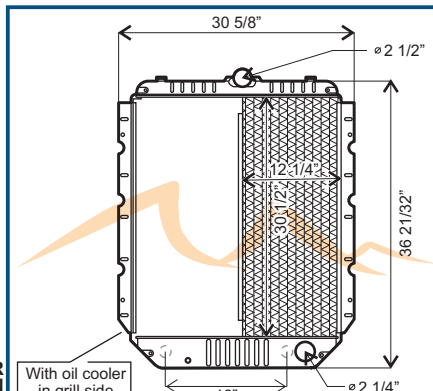
022 RELEASE: 09/07

8158

INTERNATIONAL/NAVISTAR

CAVTU-4/CAVTM-4/VTM-3

CORE SIZE:
30 1/2" X 12 1/4"
INLET:
2 1/2"
OUTLET:
2 1/4"
OIL COOLER:
YES 101002
REFERENCE:
NORTHERN 238517
INT63
2006-3502
11C-8804



SOLDER ON

AT

WITH SIDE CHANNELS

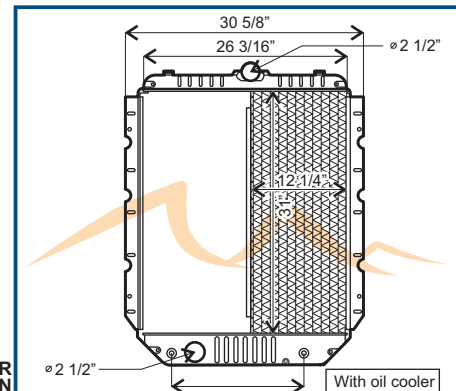
023 RELEASE: 05/13

8165

INTERNATIONAL/NAVISTAR

CAVTU-4/CVTU-3

CORE SIZE:
31" X 12 1/4"
INLET:
2 1/2"
OUTLET:
2 1/2"
OIL COOLER:
YES NO
REFERENCE:
4373315
INT62
11C-9264



SOLDER ON

AT

WITH SIDE CHANNELS

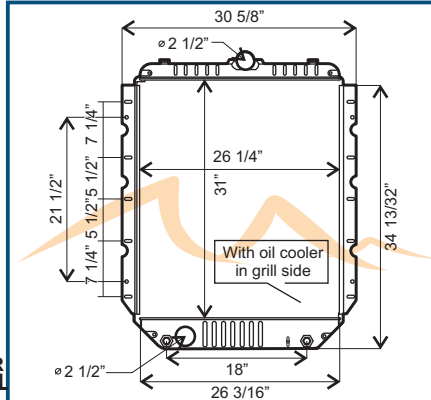
024 RELEASE: 03/15

8166

INTERNATIONAL/NAVISTAR

CAVTU-3/CAVTU-4/CAVTM-3/CVTU-3/CVTU-4/CVTM-3

CORE SIZE:
31" X 26 1/4"
INLET:
2 1/2"
OUTLET:
2 1/2"
OIL COOLER:
YES 101002
REFERENCE:
232124
INT31
2006-3508



SOLDER ON

025 RELEASE: 12/08 MT/AT

WITH SIDE CHANNELS

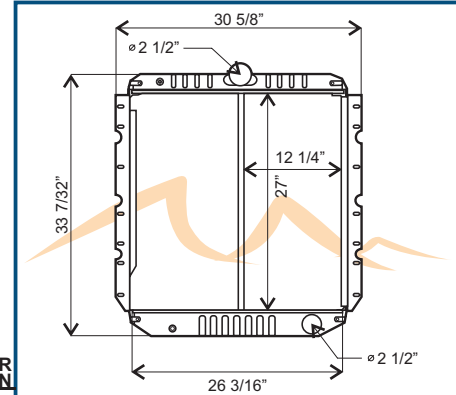
8167

INTERNATIONAL/NAVISTAR

CVTU-4

MICRO BUS

CORE SIZE:
27" X 12 1/4"
INLET:
2 1/2"
OUTLET:
2 1/4"
OIL COOLER:
NO
REFERENCE:
NO



SOLDER ON

026 RELEASE: 07/08 MT

WITH SIDE CHANNELS

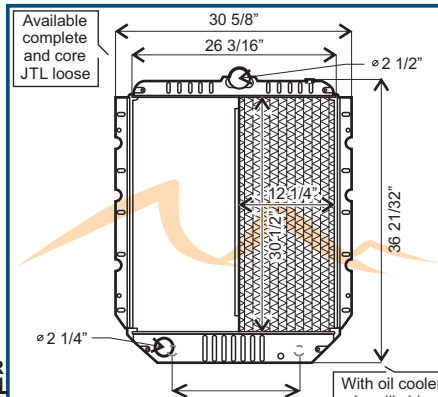
8175

INTERNATIONAL/NAVISTAR

CAVTU-4/CAVTM-4

4400-7300 ST

CORE SIZE:
30 1/2" X 12 1/4"
INLET:
2 1/2"
OUTLET:
2 1/4"
OIL COOLER:
YES 101002
REFERENCE:
INT71



SOLDER ON

027 RELEASE: 03/09 AT

WITH SIDE CHANNELS

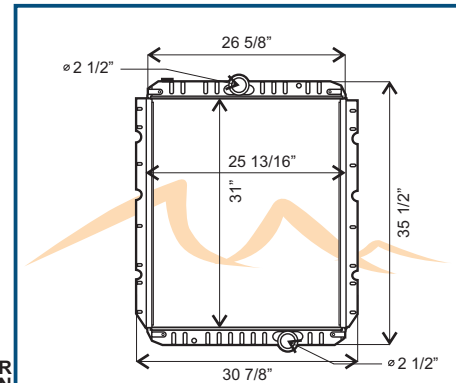
8179

INTERNATIONAL/NAVISTAR

CVTU-4/CVTM-3

7400, 7900

CORE SIZE:
31" X 25 13/16"
INLET:
2 1/2"
OUTLET:
2 1/2"
OIL COOLER:
NO
REFERENCE:
1327366 OEM
232123
238564



SOLDER ON

028

WITH SIDE CHANNELS

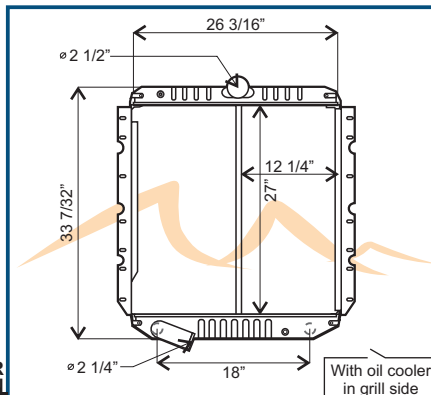
8187

INTERNATIONAL/NAVISTAR

CAVTU-4

MICRO BUS 98-02

CORE SIZE:
27" X 12 1/4"
INLET:
2 1/2"
OUTLET:
2 1/4"
OIL COOLER:
YES 101002
REFERENCE:
NORTHERN 238514
2505157C1



SOLDER ON

029 RELEASE: 07/08 AT

WITH SIDE CHANNELS

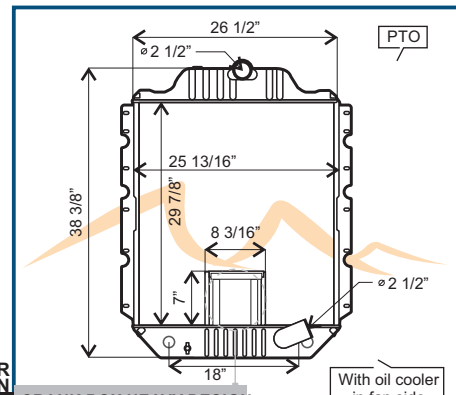
8188

INTERNATIONAL/NAVISTAR

CVTU-4/CAVTU-4

4700, 4900 SERIES

CORE SIZE:
29 7/8" X 25 13/16"
INLET:
2 1/2"
OUTLET:
2 1/2"
OIL COOLER:
YES 101002
REFERENCE:
56454PTO
238581STD
238580AUT



SOLDER ON

030 RELEASE: 10/08 MT/AT

CRANK BOX HEAVY DESIGN

WITH SIDE CHANNELS

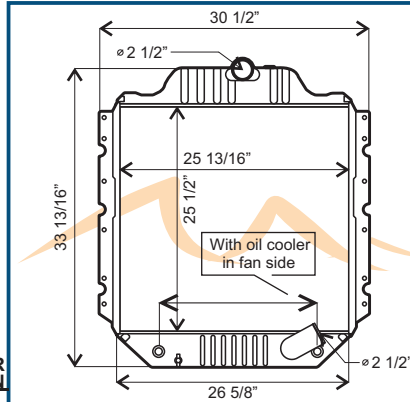
8191

INTERNATIONAL/NAVISTAR

CVTU-4/CAVTU-4

SERIES 3000, 3600, 3800

CORE SIZE:
25 1/2" X 25 13/16"
INLET:
2 1/2"
OUTLET:
2 1/2"
OIL COOLER:
YES 101002
REFERENCE:
NORTHERN 238576



SOLDER ON

031 RELEASE: 09/08 MT/AT

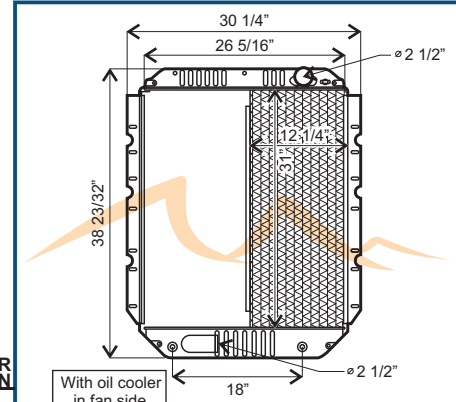
WITH SIDE CHANNELS

8193

INTERNATIONAL/NAVISTAR

CVTU-4/CAVTU-4

CORE SIZE:
31" X 12 1/4"
INLET:
2 1/2"
OUTLET:
2 1/2"
OIL COOLER:
YES 101002
REFERENCE:
NORTHERN 238546



SOLDER ON

032 RELEASE: 2008 MT/AT

WITH SIDE CHANNELS

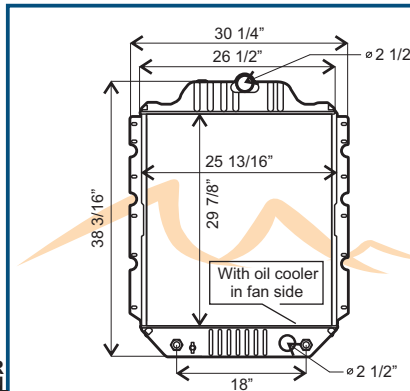
8194

INTERNATIONAL/NAVISTAR

CAVTU-3/CAVTU-4

S-600

CORE SIZE:
29 7/8" X 25 13/16"
INLET:
2 1/2"
OUTLET:
2 1/2"
OIL COOLER:
NO 101002
REFERENCE:
640052
INT51 STD
INT52
230201



SOLDER ON

033 RELEASE: 08/08 MT/AT

WITH SIDE CHANNELS

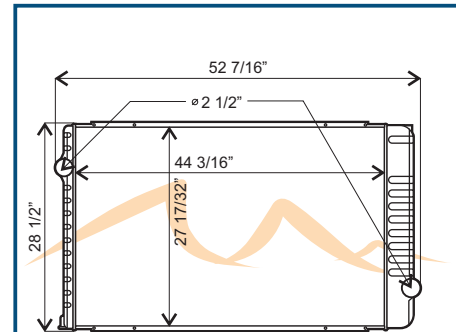
8201

INTERNATIONAL/NAVISTAR

CTVTM-3/CVTM-3

9400 2008

CORE SIZE:
44 3/16" X 27 17/32"
INLET:
2 1/2"
OUTLET:
2 1/2"
OIL COOLER:
NO
REFERENCE:
9400



SOLDER ON

034 RELEASE: 02/14 MT

WITHOUT FRAME

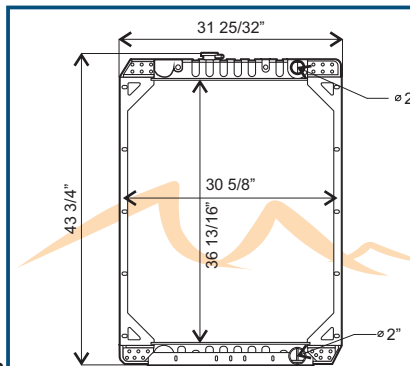
8208

CASE IH/INTERNATIONAL

CNA-8/CTA-8/CHA-6

COMBINE 1688-2144

CORE SIZE:
36 13/16" X 30 5/8"
INLET:
2"
OUTLET:
2"
OIL COOLER:
NO
REFERENCE:
NORTHERN 219958
116154A1-117403A1



SOLDER ON

035 RELEASE: 05/09 MT

WITH FRAME

Available Fabricator CHA-6
Dimensions width, reduced
30 3/8" - 29 13/16"

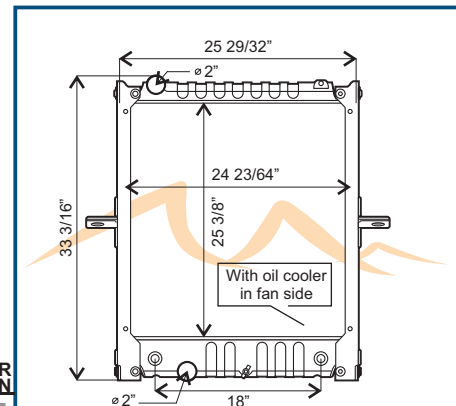
8222

INTERNATIONAL/NAVISTAR

CAVTM-3

F-600 08-09

CORE SIZE:
25 3/8" X 24 23/64"
INLET:
2"
OUTLET:
2"
OIL COOLER:
YES 756125
REFERENCE:
P/N: 2587286 C91



SOLDER ON

036 RELEASE: 11/09 AT

WITH FRAME

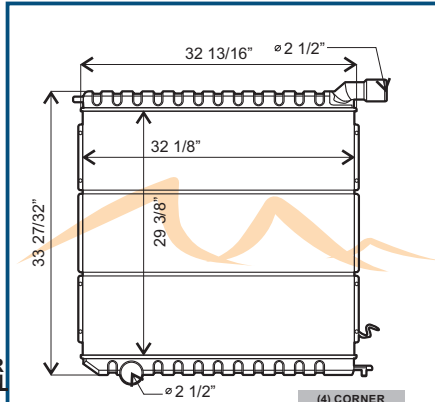
8236

INTERNATIONAL/NAVISTAR

CTVTM-3/CTIE-4

S600 SERIES

CORE SIZE:
29 3/8" X 32 1/8"
INLET:
2 1/2"
OUTLET:
2 1/2"
OIL COOLER:
NO
REFERENCE:
NAV18
AK 5308



SOLDER ON

SOLDER ON

037 RELEASE: 12/09

MT

WITHOUT FRAME

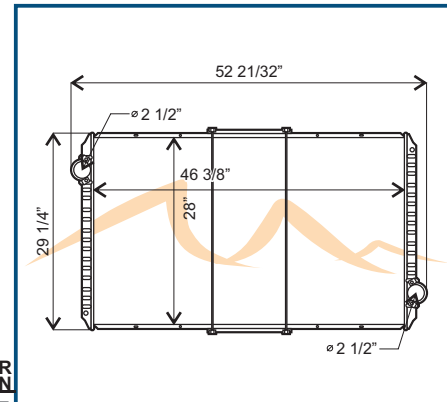
8240

INTERNATIONAL/NAVISTAR

CTVT-4/CTVTU-4/CTVTM-3

9800 SERIES

CORE SIZE:
46 3/8" X 28"
INLET:
2 1/2"
OUTLET:
2 1/2"
OIL COOLER:
NO
REFERENCE:
NAV09
640009



SOLDER ON

038 RELEASE: 09/09

MT

WITHOUT FRAME

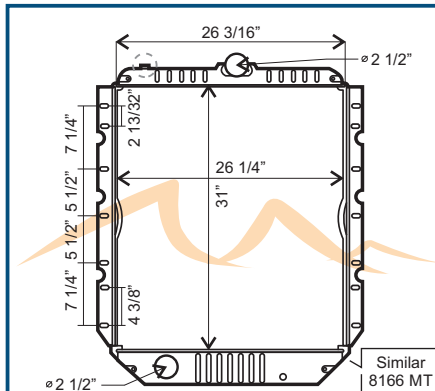
8245

INTERNATIONAL/NAVISTAR

CVTU-4

1600, 1700, 4600, 4900 SERIES 81-99

CORE SIZE:
31" X 26 1/4"
INLET:
2 1/2"
OUTLET:
2 1/2"
OIL COOLER:
NO
REFERENCE:
WORKS S6470,
OEM: 1668900C92
2006-3522



Similar 8166 MT

039 RELEASE: 10/09

MT

WITH SIDE CHANNELS

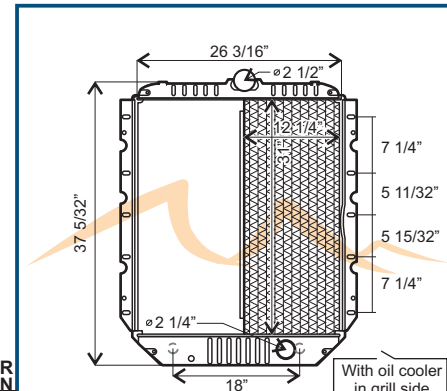
8261

INTERNATIONAL/NAVISTAR

CAVTU-4

1900 SERIES

CORE SIZE:
31" X 12 1/4"
INLET:
2 1/2"
OUTLET:
2 1/4"
OIL COOLER:
YES 101002
REFERENCE:
INT66
AK 5301



SOLDER ON

With oil cooler in grill side

040 RELEASE: 01/10

AT

WITH SIDE CHANNELS

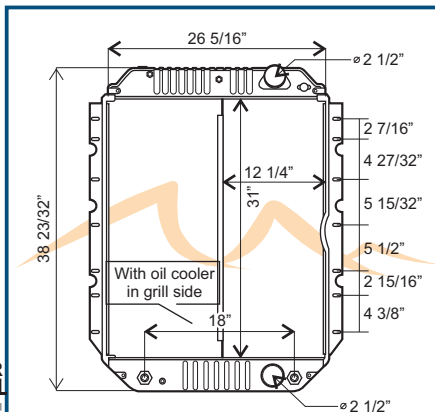
8294

INTERNATIONAL/NAVISTAR

CAVTU-4

9400 94-05/ GENESIS FC BUS 96& NEWERS

CORE SIZE:
31" X 12 1/4"
INLET:
2 1/2"
OUTLET:
2 1/2"
OIL COOLER:
YES 101002
REFERENCE:
NORTHERN 238545,
INT65, S6479,
OEM:0316727



SOLDER ON

SOLDER ON

041 RELEASE: 05/10

AT

WITH SIDE CHANNELS

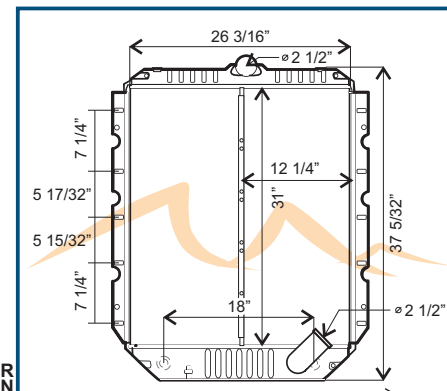
8295

INTERNATIONAL/NAVISTAR

CAVTU-4

4900 SERIES

CORE SIZE:
31" X 12 1/4"
INLET:
2 1/2"
OUTLET:
2 1/2"
OIL COOLER:
YES 101002
REFERENCE:
S6471
INT64



SOLDER ON

With oil cooler in grill side

042 RELEASE: 05/10

AT

WITH SIDE CHANNELS

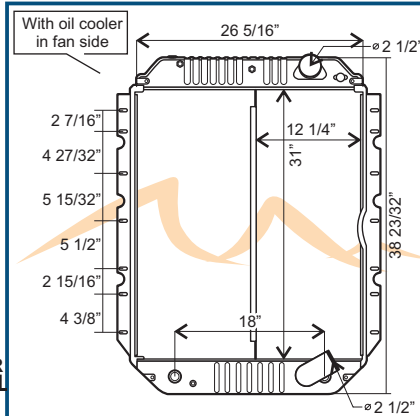
8297

INTERNATIONAL/NAVISTAR

CAVTU-4/CVTU-4

4400-7300 SERIES

CORE SIZE:
31" X 12 1/4"
INLET:
2 1/2"
OUTLET:
2 1/2"
OIL COOLER:
YES 101002
REFERENCE:
WORKS
S6480



WITH SIDE CHANNELS

043 RELEASE: 07/10 MT/AT

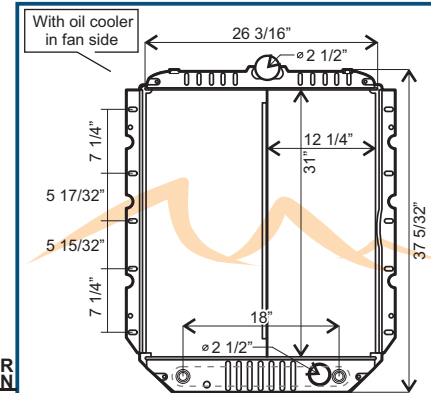
8298

INTERNATIONAL/NAVISTAR

CAVTU-4

4900 SERIES

CORE SIZE:
31" X 12 1/4"
INLET:
2 1/2"
OUTLET:
2 1/2"
OIL COOLER:
YES 101002
REFERENCE:
S6475



WITH SIDE CHANNELS

044 RELEASE: 07/10 MT/AT

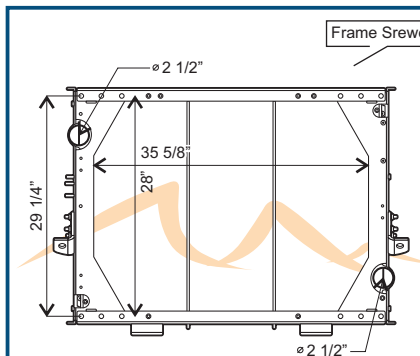
8300

INTERNATIONAL/NAVISTAR

CVTU-3/CTVTU-3

7400 04-07

CORE SIZE:
35 5/8" X 28"
INLET:
2 1/2"
OUTLET:
2 1/2"
OIL COOLER:
NO
REFERENCE:
NATIONAL MARKET



WITH OR WITHOUT FRAME

045 RELEASE: 07/10 MT

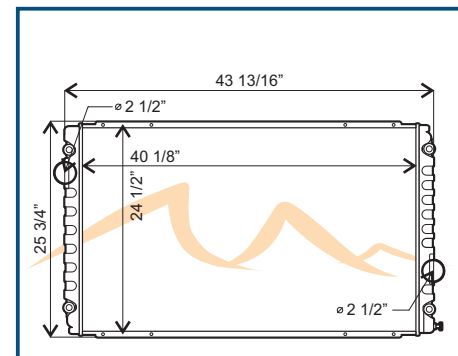
8343

INTERNATIONAL/NAVISTAR

CTVTM-3/CTVTU-4TT

PROSTAR / EAGLE 9100,
9200, 9400, 9900 07-09

CORE SIZE:
40 1/8" X 24 1/2"
INLET:
2 1/2"
OUTLET:
2 1/2"
OIL COOLER:
NO
REFERENCE:
NORTHERN 239091,
640028, NAV16,
HDC010569PA



WITHOUT FRAME

046 RELEASE: 09/11

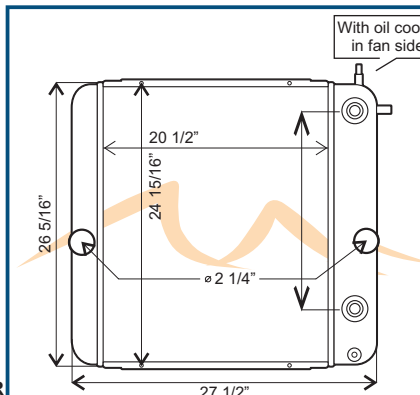
8348

INTERNATIONAL/NAVISTAR

CTAVTU-3

TRUCK 00-03

CORE SIZE:
20 1/2" X 24 15/16"
INLET:
2 1/4"
OUTLET:
2 1/4"
OIL COOLER:
YES 7 PLATES (756125)
REFERENCE:
140 OCS



WITHOUT FRAME

047 RELEASE: 09/11

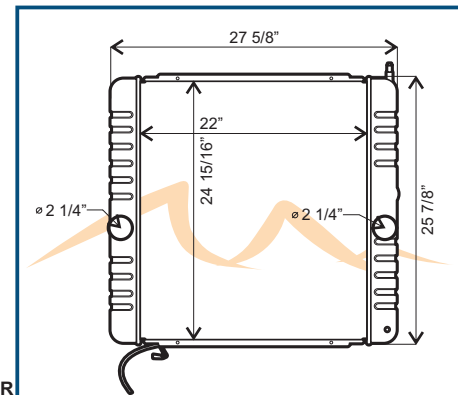
8351

INTERNATIONAL/NAVISTAR

CTVTU-3/CTVTU-4TT/CVTU-4TT

BUS 00-03

CORE SIZE:
22" X 24 15/16"
INLET:
2 1/4"
OUTLET:
2 1/4"
OIL COOLER:
NO
REFERENCE:
640023 ACTIVE



WITHOUT FRAME

048 RELEASE: 10/14

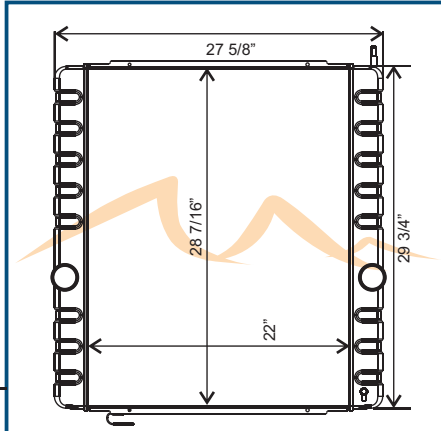
8443

CTVTU-4TT

INTERNATIONAL

3800, 4100, 4200, 4300, 4400,
7300, 7400, 7500, 8500 BASE 02-08

CORE SIZE:
22" X 28 7/16"
INLET:
2 1/4"
OUTLET:
2 1/4"
OIL COOLER:
NO
REFERENCE:
NORTHERN 239019,
2001-3548, NAV27,
640019, 2506891C91



049 RELEASE: 10/13

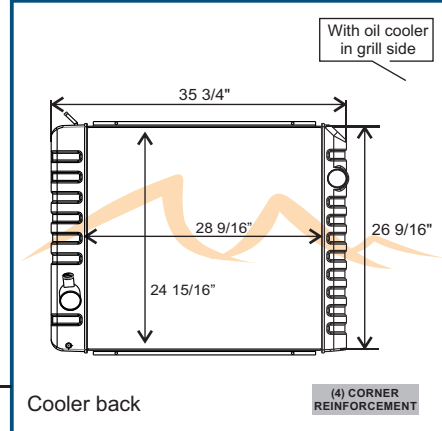
8448

CTAVTU-4TT

INTERNATIONAL

4000, 4300, 4400, 8000, 8500 08-11
/ FORD F650, F750 08-12

CORE SIZE:
28 9/16" X 24 15/16"
INLET:
2 1/4"
OUTLET:
2 1/2"
OIL COOLER:
YES 758448
REFERENCE:
NORTHERN 239081,
NAV30, 2001-3534,
OEM:2593303C91



050 RELEASE: 02/14

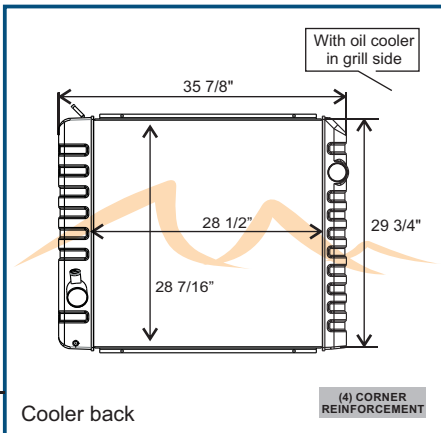
8450

CTAVTU-4TT

INTERNATIONAL

DURASTAR SERIES 4000, 8000 08-11
/ FORD F650, F750 08-11

CORE SIZE:
28 1/2" X 28 7/16"
INLET:
2 1/4"
OUTLET:
2 1/2"
OIL COOLER:
YES 758448
REFERENCE:
NORTHERN 238725,
2001-3551, 640098,
2593302C91



051 RELEASE: 02/14

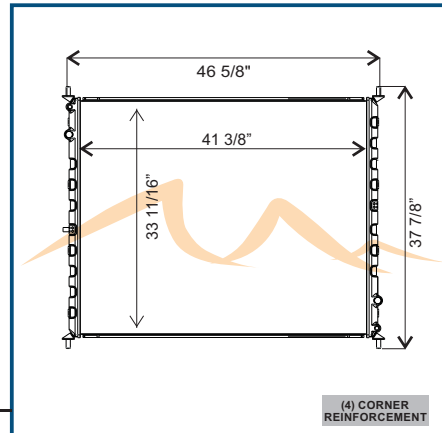
8475

CTVTU-4TT

INTERNATIONAL

PROSTAR & TRANSTAR W/ MAXXFORCE 08-16

CORE SIZE:
41 3/8" X 33 11/16"
INLET:
1"
OUTLET:
1"
OIL COOLER:
NO
REFERENCE:
NORTHERN 238812,
TX-1008475-RAD,
2601280C91



052 RELEASE: 06/14

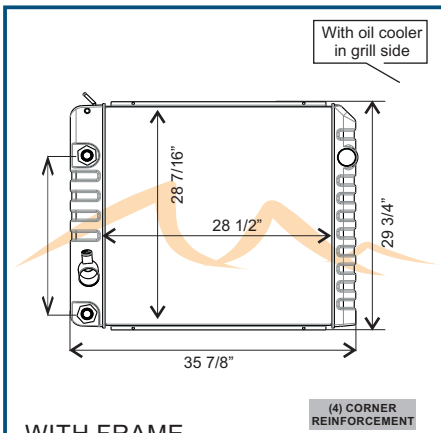
8513

CTAVTU-4TT

INTERNATIONAL

7030, 7040, 7050, 7060

CORE SIZE:
28 1/2" X 28 7/16"
INLET:
2 1/4"
OUTLET:
2 1/2"
OIL COOLER:
YES 758448
REFERENCE:
238704



053 RELEASE: 03/15

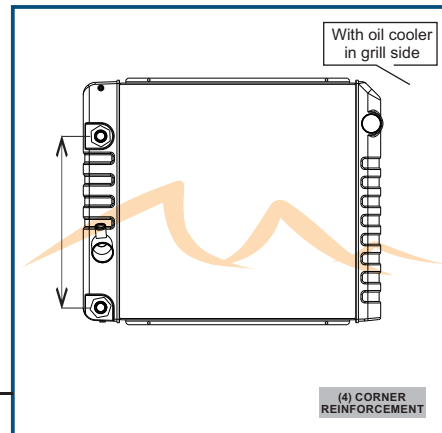
8518

CVTU-4TT/CTAVTU-4TT

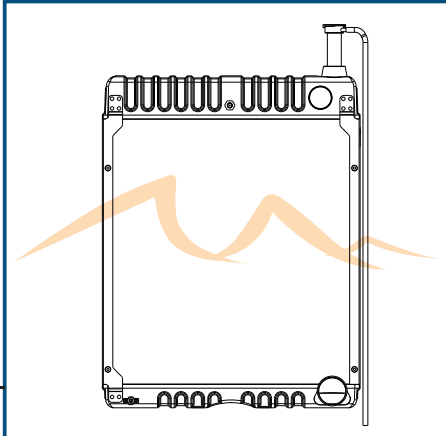
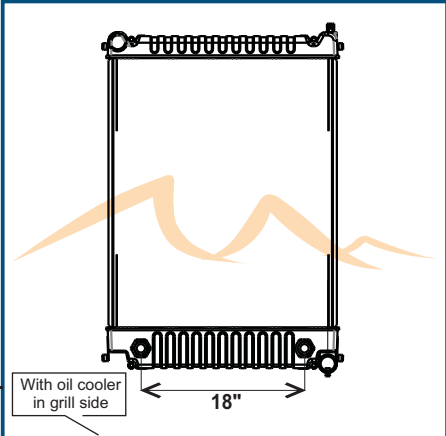
INTERNATIONAL / NAVISTAR

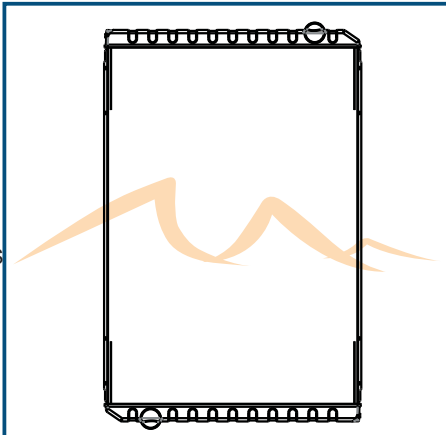
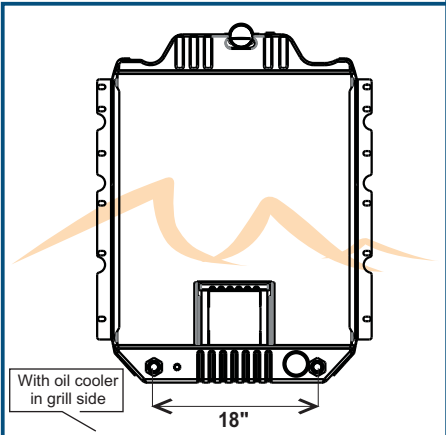
DURASTAS SERIES 4000 10-14
/ FORD F650, F750 11-15

CORE SIZE:
28 1/2" X 28 7/16" X 2 1/16"
INLET:
2 1/4"
OUTLET:
2 1/2"
OIL COOLER:
YES 758448
REFERENCE:
NORTHERN 238704,
6400-98, 615RA098,
OEM:2601251C93



054 RELEASE: 06/15

8568	INTERNATIONAL	8577	INTERNATIONAL
CNC-7	TRACTOR	CTAVTU-4TT	TRACTO
<p>CORE SIZE: 23 3/4" X 22 1/2" X 3 5/8"</p> <p>INLET: 2"</p> <p>OUTLET: 2 1/2"</p> <p>OIL COOLER: NO</p> <p>REFERENCE: 219502 NORTHERN</p>		<p>CORE SIZE: 29 5/8" X 24 1/16" X 2 1/16"</p> <p>INLET: 2"</p> <p>OUTLET: 2"</p> <p>OIL COOLER: YES</p> <p>REFERENCE: INTERNATIONAL 239000</p>	
055		056	

8592	INTERNATIONAL	8597	INTERNATIONAL
CTVTU-4TT	WORKS STAR	CAVTU-4	INTERNATIONAL
<p>CORE SIZE: 45 5/8" X 31 15/16" X 2 1/16"</p> <p>INLET: 2 1/2"</p> <p>OUTLET: 2 1/2"</p> <p>OIL COOLER: NO</p> <p>REFERENCE: WORKS STAR 7300, 7600, 7700 SERIES 08-11</p>		<p>CORE SIZE: 29 3/4" X 26" X 2 5/8"</p> <p>INLET: 2 1/2"</p> <p>OUTLET: 2 1/2"</p> <p>OIL COOLER: YES</p> <p>REFERENCE: 87 KEYSTON</p>	
057		058	

NOTES

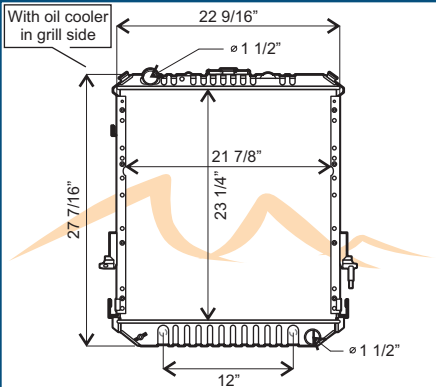
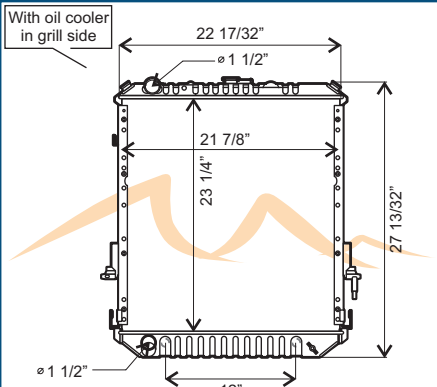
Radiators

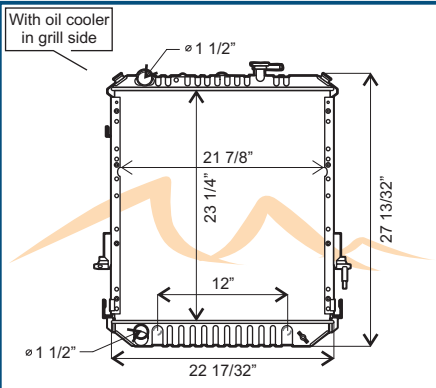
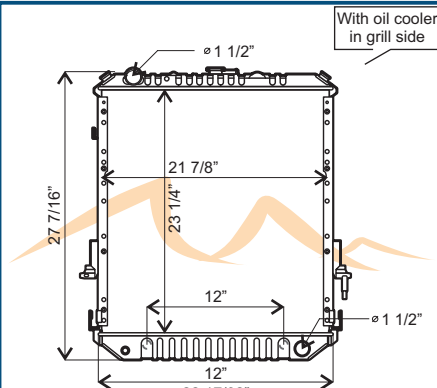
PHAIR

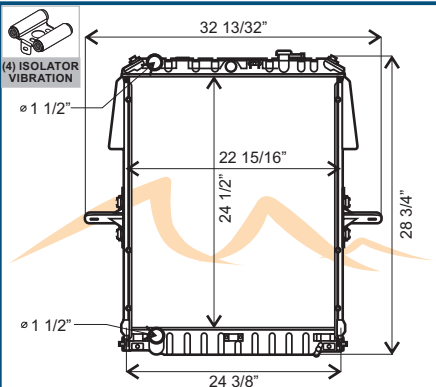
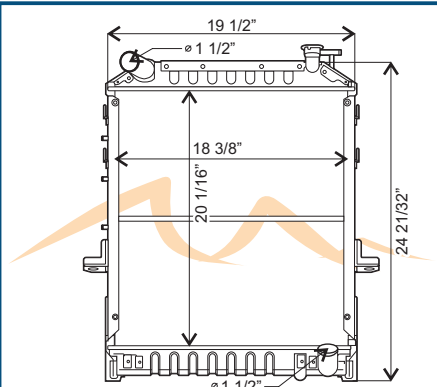
ISUZU

JOHN DEERE

2018

8159	ISUZU	8160	ISUZU
<p>CAVTU-3</p> <p>NPR/NQR 94-13/ W-SERIES 94-05</p> <p>CORE SIZE: 23 1/4" X 21 7/8" INLET: 1 1/2" OUTLET: 1 1/2" OIL COOLER: YES REFERENCE: NORTHERN 239270 2001-0702 ISU43</p>		<p>CAVTU-3</p> <p>NPR 98 & NEWER, GM W SERIES</p> <p>CORE SIZE: 23 1/4" X 21 7/8" INLET: 1 1/2" OUTLET: 1 1/2" OIL COOLER: YES REFERENCE: NORTHERN 239272, 97044293</p>	
<p>001 RELEASE: 05/08</p> <p>AT</p> <p>SOLDER ON</p> <p>WITH SIDE CHANNELS</p>		<p>002 RELEASE: 05/08</p> <p>AT</p> <p>SOLDER ON</p> <p>WITH SIDE CHANNELS</p>	

8161	ISUZU	8204	ISUZU
<p>CAVTU-3</p> <p>NPR/NQR 99-03, GM W-SERIES 99-04</p> <p>CORE SIZE: 23 1/4" X 21 7/8" INLET: 1 1/2" OUTLET: 1 1/2" OIL COOLER: YES REFERENCE: NORTHERN 239307 ISU10, 2001-0701</p>		<p>CAVTU-3</p> <p>NPR/NQR 94-13, W-SERIES 94-05</p> <p>CORE SIZE: 23 1/4" X 21 7/8" INLET: 1 1/2" OUTLET: 1 1/2" OIL COOLER: YES REFERENCE: NPR3243PA, ISU43 5800-28-AP</p>	
<p>003 RELEASE: 05/08</p> <p>AT</p> <p>SOLDER ON</p> <p>WITH SIDE CHANNELS</p>		<p>004 RELEASE: 02/09</p> <p>AT</p> <p>SOLDER ON</p> <p>WITH SIDE CHANNELS</p>	

8205	ISUZU	8256	ISUZU
<p>CVTM-2</p> <p>TRUCK 06-08</p> <p>CORE SIZE: 24 1/2" X 22 15/16" INLET: 1 1/2" OUTLET: 1 1/2" OIL COOLER: NO REFERENCE: ISU09 OEM 97333140 97333141</p>		<p>CVTM-2</p> <p>2008</p> <p>CORE SIZE: 20 1/16" X 18 3/8" INLET: 1 1/2" OUTLET: 1 1/2" OIL COOLER: NO REFERENCE: ELT300</p>	
<p>005 RELEASE: 06/09</p> <p>AT</p> <p>SOLDER ON</p> <p>WITH FRAME</p>		<p>006 RELEASE: 05/10</p> <p>AT</p> <p>SOLDER ON</p> <p>WITH FRAME</p>	

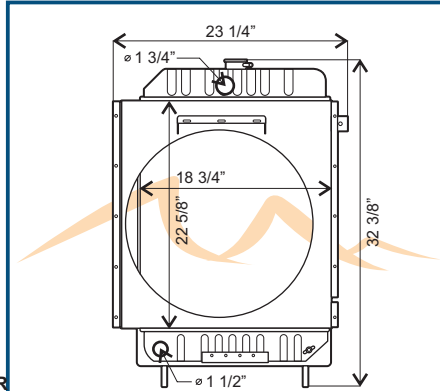
6201

JOHN DEERE

CNE-3/CNE-4/CIE-4

MOTOBOMBA

CORE SIZE:
22 5/8" X 18 3/4"
INLET:
1 3/4"
OUTLET:
1 1/2"
OIL COOLER:
NO
REFERENCE:
007



AVAILABLE WITH FRAME

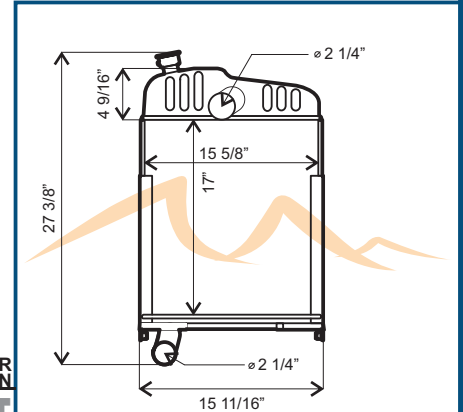
8054

JOHN DEERE

CNC-3

M-40, 320, 330

CORE SIZE:
17" X 15 5/8"
INLET:
2 1/4"
OUTLET:
2"
OIL COOLER:
NO
REFERENCE:
OE#AM0771T
CR 9734



WITH SIDE CHANNELS

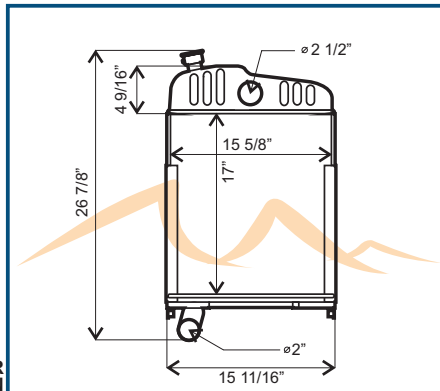
8055

JOHN DEERE

CNC-3

420, 430 HD

CORE SIZE:
17" X 15 5/8"
INLET:
2 1/2"
OUTLET:
2"
OIL COOLER:
NO
REFERENCE:
OE#AT10299
CR 9735



WITH SIDE CHANNELS

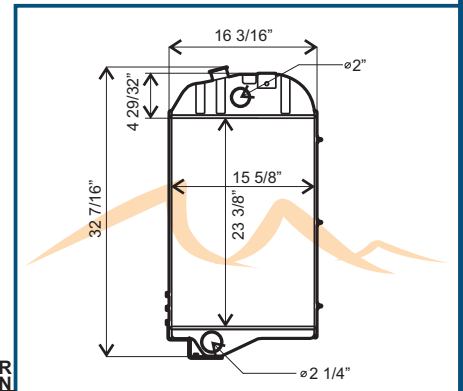
8057

JOHN DEERE

CNC-4

2840, 3030, 3120, 3130

CORE SIZE:
23 3/8" X 15 5/8"
INLET:
2"
OUTLET:
2 1/4"
OIL COOLER:
NO
REFERENCE:
OE#A26474
CR 9853



WITH FRAME

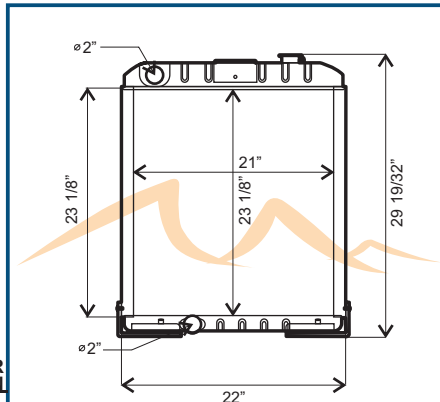
8105

JOHN DEERE

CTC-4

**410B,410C,410D,415B,
510B,510C,510D,515B,610B,610C**

CORE SIZE:
23 1/8" X 21"
INLET:
2"
OUTLET:
2"
OIL COOLER:
NO
REFERENCE:
CR 9740



WITH FRAME

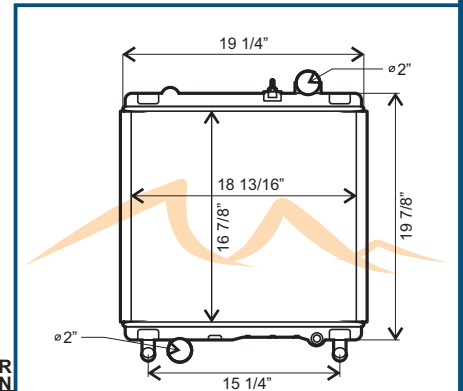
8106

JOHN DEERE

CTC-4

TRACTOR 1850,1950,1950N,2155,2355

CORE SIZE:
16 7/8" X 18 13/16"
INLET:
2"
OUTLET:
2"
OIL COOLER:
NO
REFERENCE:
OE#AL67563
CR 9851



WITH SIDE CHANNELS

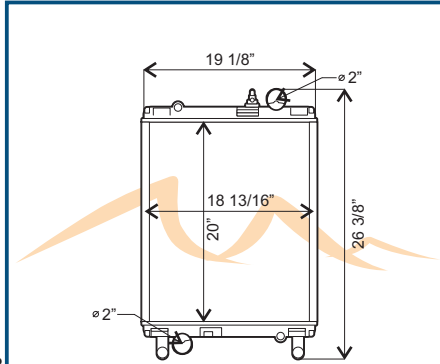
8206

JOHN DEERE

CTC-4

2250, 2355-LATE, 2450, 2455 LATE, 2650N, 2755-LATE, 2850, 2855N LATE

CORE SIZE:
20" X 18 13/16"
INLET:
2"
OUTLET:
2"
OIL COOLER:
NO
REFERENCE:
OE# AL66774
CR 9852 NORTHERN



SOLDER ON

013 RELEASE: 11/09

WITH FRAME

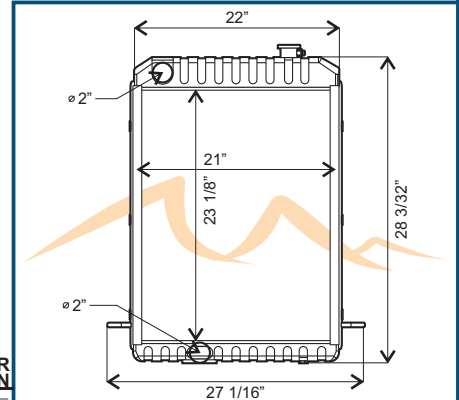
8209

JOHN DEERE

CTC-3

300D, 310C, 310D, 315C, 315D

CORE SIZE:
23 1/8" X 21"
INLET:
2"
OUTLET:
2"
OIL COOLER:
NO
REFERENCE:
NORTHERN 219739



SOLDER ON

014 RELEASE: 05/09

MT

WITH SIDE CHANNELS

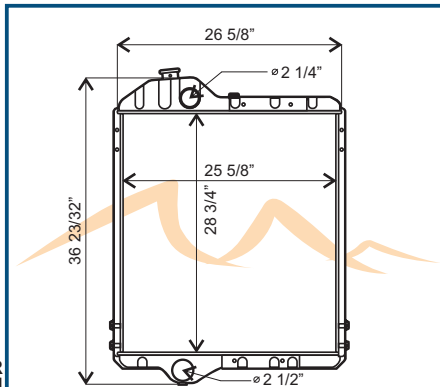
8210

JOHN DEERE

CNC-6

TRACTOR

CORE SIZE:
28 3/4" X 25 5/8"
INLET:
2 1/4"
OUTLET:
2 1/2"
OIL COOLER:
NO
REFERENCE:
259542



SOLDER ON

015 RELEASE: 07/09

MT

WITH SIDE CHANNELS

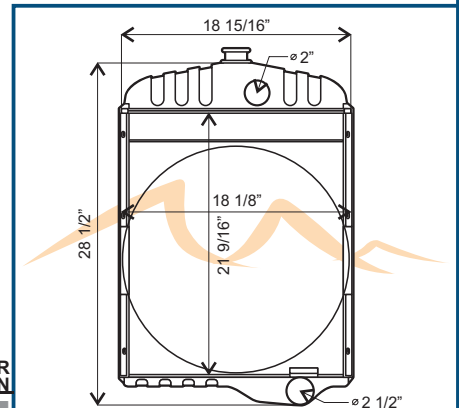
8246

JOHN DEERE

CNC-4

TRACTOR

CORE SIZE:
21 9/16" X 18 1/8"
INLET:
2"
OUTLET:
2 1/8"
OIL COOLER:
NO
REFERENCE:
MFG 017-6
16327-A
16525-70
245993 NORTHERN



SOLDER ON

016 RELEASE: 02/10

MT

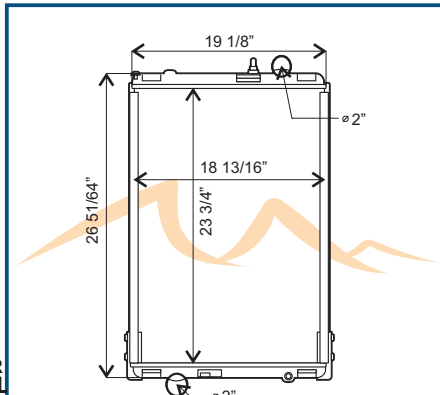
WITH FRAME

8248

JOHN DEERE

CTC-42955-LATER, 3050, 3055-3150, 3155, 3255, 3350, 3650

CORE SIZE:
23 3/4" X 18 3/16"
INLET:
2"
OUTLET:
2"
OIL COOLER:
NO
REFERENCE:
OE# AL66766
CR 9854



SOLDER ON

017 RELEASE: 11/09

MT

WITH FRAME

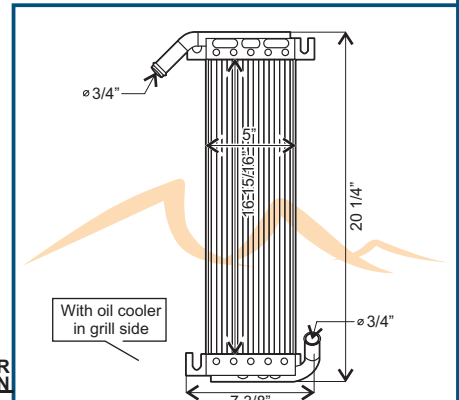
8259

JOHN DEERE

CACKE-3

OIL COOLER TRACTOR

CORE SIZE:
16 15/16" X 5"
INLET:
3/4"
OUTLET:
3/4"
OIL COOLER:
YES
REFERENCE:
AP29759



SOLDER ON

018 RELEASE: 11/09

AT

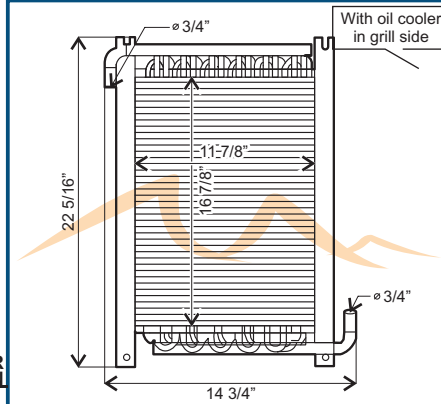
8260

JOHN DEERE

CACKE-2

OIL COOLER TRACTOR

CORE SIZE:
16 7/8" X 11 7/8"
INLET:
3/4"
OUTLET:
3/4"
OIL COOLER:
YES
REFERENCE:
AP29777



SOLDER ON

019 RELEASE: 11/09

AT

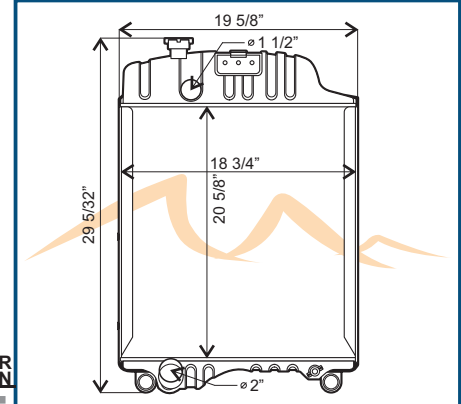
8267

JOHN DEERE

CNC-5

TRACTOR

CORE SIZE:
20 5/8" X 18 3/4"
INLET:
1 1/2"
OUTLET:
2"
OIL COOLER:
NO
REFERENCE:
29476



SOLDER ON

020 RELEASE: 03/10

MT

WITH SIDE CHANNELS

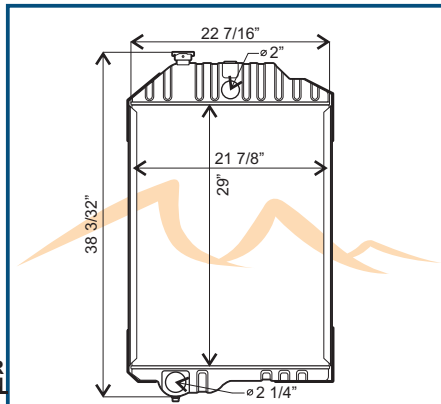
8268

JOHN DEERE

CNE-5

TRACTOR

CORE SIZE:
29" X 21 7/8"
INLET:
2"
OUTLET:
2 1/4"
OIL COOLER:
NO
REFERENCE:
AP29857



SOLDER ON

021 RELEASE: 03/10

MT

WITH SIDE CHANNELS

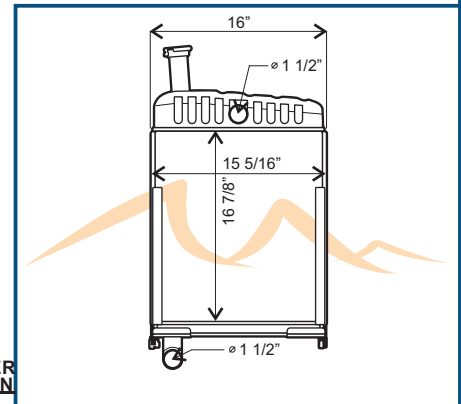
8279

JOHN DEERE

CTC-3

420 & 430 W/LONG NECK TRACTOR

CORE SIZE:
16 7/8" X 15 5/16"
INLET:
1 1/2"
OUTLET:
1 1/2"
OIL COOLER:
NO
REFERENCE:
219736 NORTHERN



SOLDER ON

022 RELEASE: 09/10

MT

WITH SIDE CHANNELS

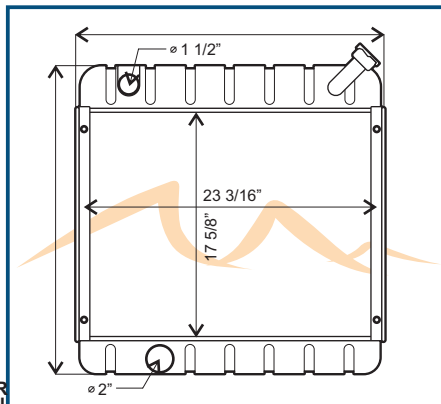
8280

JOHN DEERE

CTC-3

MODEL 210C, 482C

CORE SIZE:
17 5/8" X 23 3/16"
INLET:
1 1/2"
OUTLET:
2"
OIL COOLER:
NO
REFERENCE:
219768 NORTHERN



SOLDER ON

023 RELEASE: 12/10

MT

WITH SIDE CHANNELS

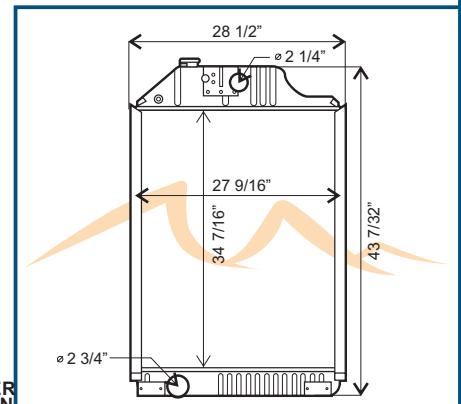
8283

JOHN DEERE

CTC-5

FITS 6450

CORE SIZE:
34 7/16" X 27 9/16"
INLET:
2 1/4"
OUTLET:
2 3/4"
OIL COOLER:
NO
REFERENCE:
219939 NORTHERN
RE21557
1A11243
031083
WURE21557
AR93889



SOLDER ON

024 RELEASE: 02/11

MT

WITH SIDE CHANNELS

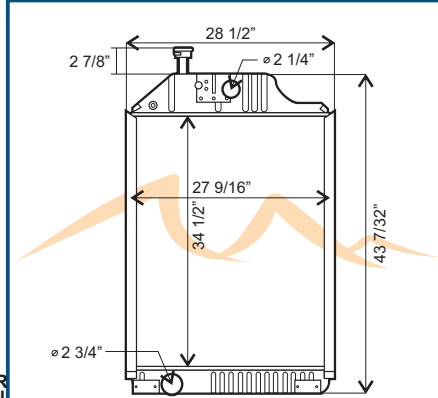
8284

JOHN DEERE

CTC-5

8430, 8440, 8630

CORE SIZE:
34 1/2" X 27 9/16"
INLET:
2 1/4"
OUTLET:
2 3/4"
OIL COOLER:
NO
REFERENCE:
RE21561
219940 NORTHERN
AR76838



WITH SIDE CHANNELS

025 RELEASE: 02/11

SOLDER ON

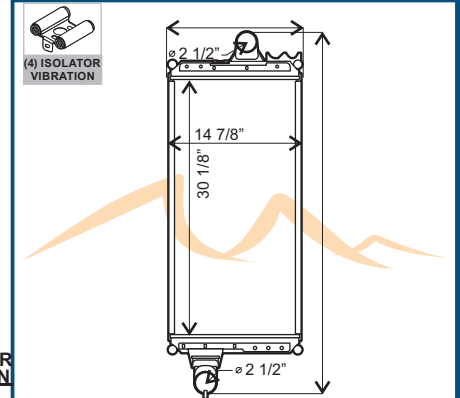
8288

JOHN DEERE

CTC-5/CUC-6TT

8100-8200-8300-8400-8410-84105

CORE SIZE:
30 1/8" X 14 7/8"
INLET:
2 1/2"
OUTLET:
2 1/2"
OIL COOLER:
NO
REFERENCE:
211038 NORTHERN
OEM RE159541
RE69136
RE61305



WITH SIDE CHANNELS

026 RELEASE: 08/13

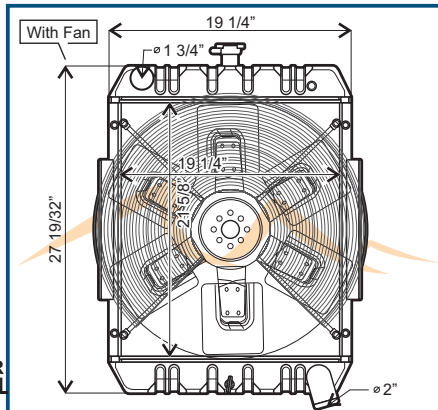
SOLDER ON

8296

JOHN DEERE

CWE-3

CORE SIZE:
21 5/8" X 19 1/4"
INLET:
1 3/4"
OUTLET:
2"
OIL COOLER:
NO
REFERENCE:
JD 4045



WITH FRAME

027 RELEASE: 07/10

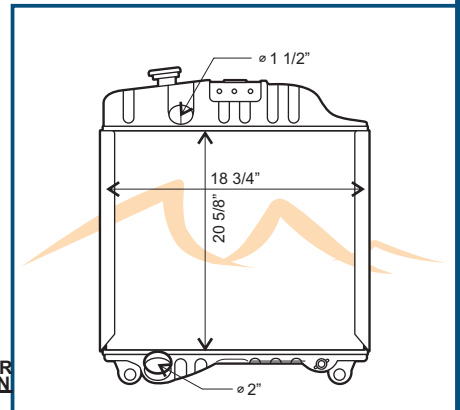
SOLDER ON

8312

JOHN DEERE

CNC-6 2250, 2355, 2450, 2555, 2650, 2755, 2850, 2855N AP29919

CORE SIZE:
20 5/8" X 18 3/4"
INLET:
1 1/2"
OUTLET:
2"
OIL COOLER:
NO
REFERENCE:
CR 9771
OE#AL56372



WITH SIDE CHANNELS

028 RELEASE: 10/10

SOLDER ON

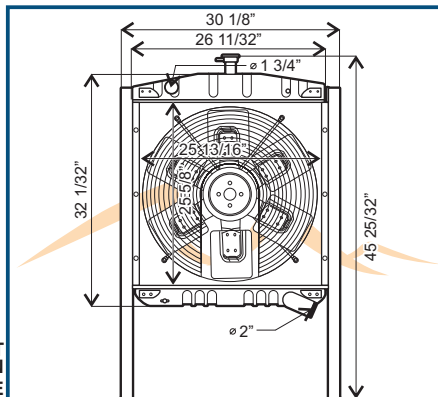
8313

JOHN DEERE

CTA-4

POWER UNIT

CORE SIZE:
25 5/8" X 25 13/16"
INLET:
1 3/4"
OUTLET:
2"
OIL COOLER:
NO
REFERENCE:
C4910056000



WITH FRAME

029 RELEASE: 10/10

BOLT ON
ONE PIECE
GASKET

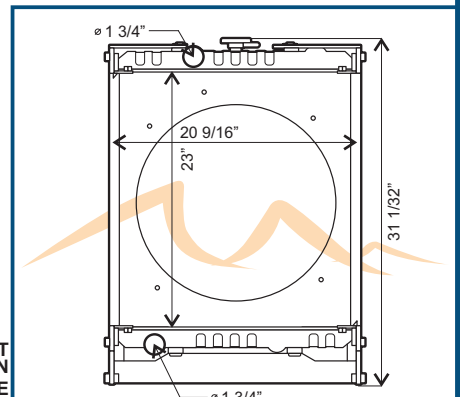
8331

JOHN DEERE

CVTU-4

MOTOR 4024 TF. 31 100025 (BARNES DE MEX)

CORE SIZE:
23" X 20 9/16"
INLET:
1 3/4"
OUTLET:
1 3/4"
OIL COOLER:
NO
REFERENCE:



WITH FRAME

030 RELEASE: 03/11

BOLT ON
ONE PIECE
GASKET

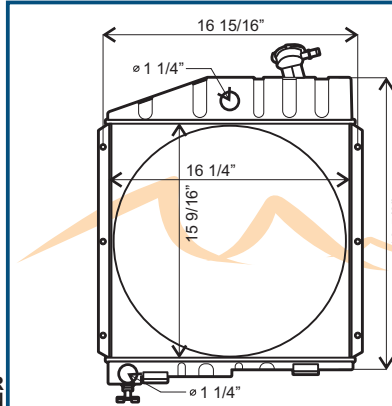
8340

JOHN DEERE

CNC-5

2300/2400

CORE SIZE:
15 1/2" X 16 1/4"
INLET:
1 1/4"
OUTLET:
1 1/4"
OIL COOLER:
NO
REFERENCE:
AP-33080



SOLDER ON

031 RELEASE: 08/11

WITH SIDE CHANNELS

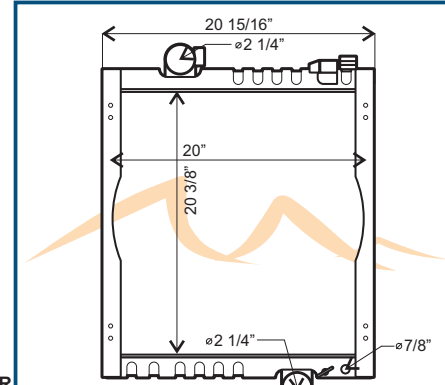
8341

JOHN DEERE

CIE-5

TRACTOR

CORE SIZE:
20 3/8" X 20"
INLET:
2 1/4"
OUTLET:
2 1/4"
OIL COOLER:
NO
REFERENCE:
219763 NORTHERN
AL115857, AL37451
AL78003, AL115732
AL115002, AL115731
AL110996, AL116668
AL110865



SOLDER ON

032 RELEASE: 10/11

AVAILABLE WITH FRAME

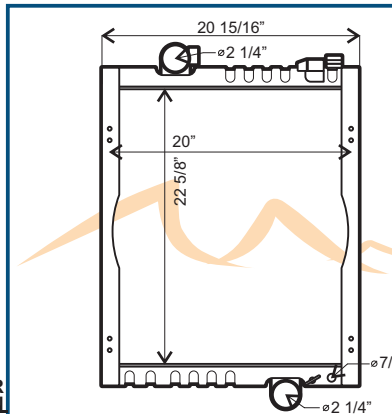
8342

JOHN DEERE

CIE-5

TRACTOR

CORE SIZE:
22 5/8" X 20"
INLET:
2 1/4"
OUTLET:
2 1/4"
OIL COOLER:
NO
REFERENCE:
219936 NORTHERN
RE165030
RE67333
RE49167



SOLDER ON

033 RELEASE: 10/11

AVAILABLE WITH FRAME

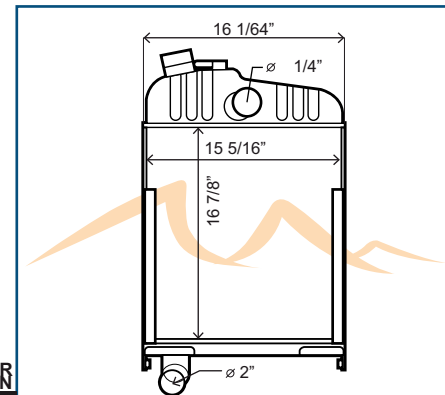
8354

JOHN DEERE

CTC-3

TRACTOR

CORE SIZE:
16 7/8" X 15 5/16"
INLET:
2 1/4"
OUTLET:
2"
OIL COOLER:
NO
REFERENCE:
AM0771TMT320



SOLDER ON

034 RELEASE: 04/12

WITH SIDE CHANNELS

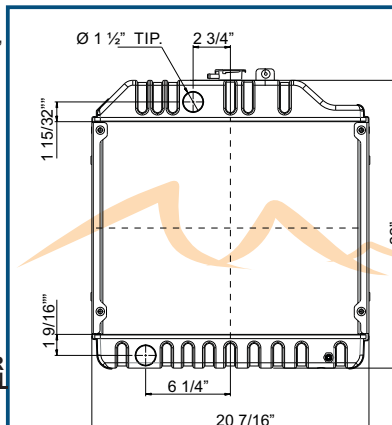
8357

JOHN DEERE

CTC-4/CTA-4

TRACTOR

CORE SIZE:
15 11/16" X 18 3/16" X 2 3/4"
INLET:
1 1/2"
OUTLET:
1 1/2"
OIL COOLER:
NO
REFERENCE:
AM 121496
NORTHERN



SOLDER ON

035 RELEASE: 05/12

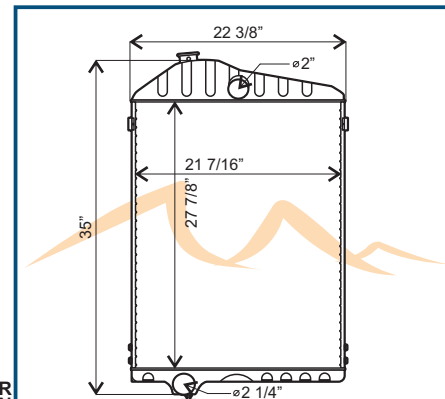
8358

JOHN DEERE

CTE-4

TRACTOR JD-4430 73-77

CORE SIZE:
27 7/8" X 21 7/16"
INLET:
2"
OUTLET:
2 1/4"
OIL COOLER:
NO
REFERENCE:
NORTHERN 219562,
OEM: AR61879,
Ar60337, 564633



SOLDER ON

036 RELEASE: 09/12

AVAILABLE WITHOUT FRAME

<p>8388</p> <p>CNC-5</p> <p>CORE SIZE: 29" X 21 7/8" INLET: 2" OUTLET: 2 1/2" OIL COOLER: NO REFERENCE: 219569 NORTHERN</p> <p>037 RELEASE: 04/12</p>	<p>JOHN DEERE</p> <p>4050, 4055, 4250, 4255, 4455</p> <p>WITH SIDE CHANNELS</p>	<p>8441</p> <p>CIE-6</p> <p>CORE SIZE: 33" X 21 7/8" INLET: 2 1/4" OUTLET: 2" OIL COOLER: NO REFERENCE:</p> <p>038 RELEASE: 03/15</p>	<p>JOHN DEERE</p> <p>POWER UNIT</p> <p>WITH FRAME</p>
---	--	---	--

<p>8442</p> <p>CVTW-4</p> <p>CORE SIZE: 25 5/8" X 25 31/32" INLET: 1 3/4" OUTLET: 2" OIL COOLER: NO REFERENCE: BARNES C.B. 31100125</p> <p>039 RELEASE: 09/13</p>	<p>JOHN DEERE</p> <p>LIGHT PLANT</p>	<p>8488</p> <p>CNC-4</p> <p>CORE SIZE: 16 1/4" X 15 3/4" INLET: 1 1/4" OUTLET: 1 1/4" OIL COOLER: NO REFERENCE: AP 33079</p> <p>040 RELEASE: 05/14</p>	<p>JOHN DEERE</p> <p>P/2300</p>
---	---	--	--

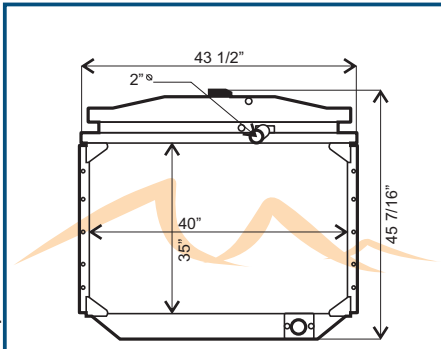
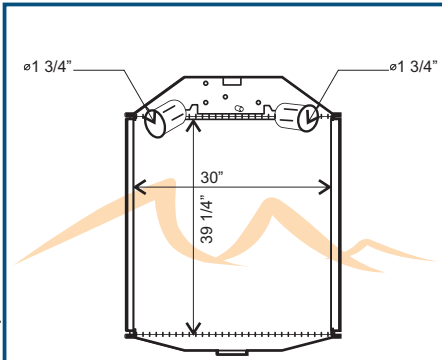
<p>8519</p> <p>CVTU-3TT</p> <p>CORE SIZE: 22 1/2" x 19 1/4" x 1 9/16" INLET: 1 1/2" OUTLET: 2" OIL COOLER: NO REFERENCE: 3029 TF150</p> <p>041 RELEASE: 06/15</p>	<p>JOHN DEERE</p> <p>JD-03-3</p>	<p>8548</p> <p>CUE-7TT</p> <p>CORE SIZE: 37" X 31 1/2" X 3 7/8" INLET: 2 1/2" OUTLET: 2" OIL COOLER: NO REFERENCE:</p> <p>042 RELEASE: 05/16</p>	<p>JOHN DEERE</p>
---	---	--	--------------------------

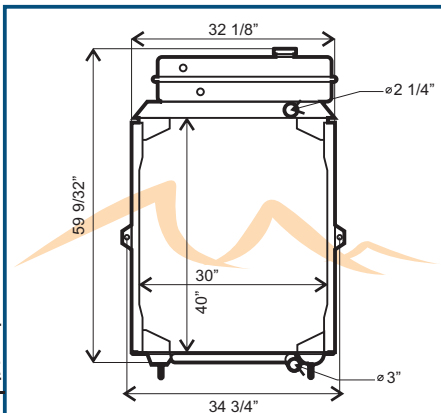
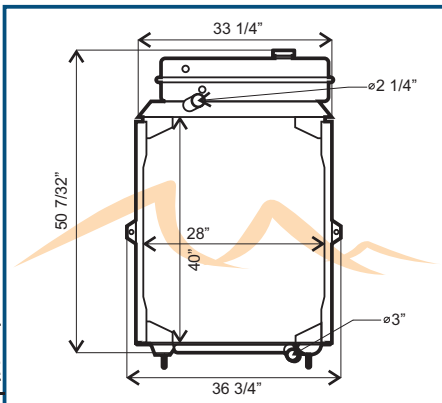
Radiators

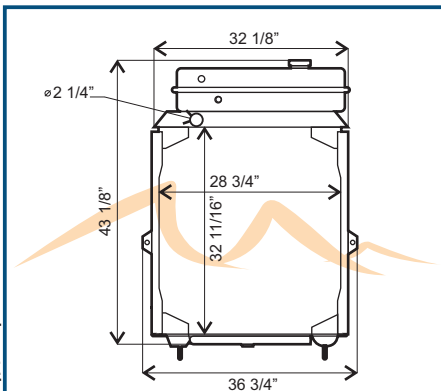
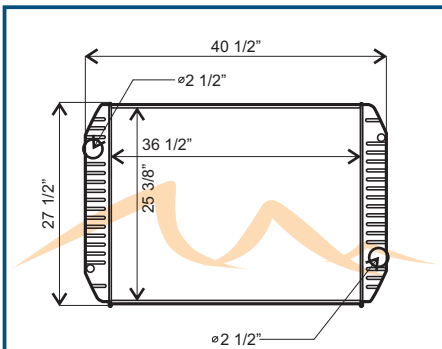
PHAIR

**KENWORTH
KOMATSU**

2018

5592	KENWORTH	5593	KENWORTH
CRE-6/CPE-5	W-900 350 74-89	CRE-5/CPE-4	K123 74-84
<p>CORE SIZE: 35" X 40" INLET: 2" OUTLET: FLANGE OIL COOLER: NO REFERENCE: NATIONAL MARKET</p>		<p>CORE SIZE: 39 1/4" X 30" INLET: 1 3/4" OUTLET: 1 3/4" OIL COOLER: NO REFERENCE: NATIONAL MARKET</p>	
<p>BOLT ON ONE PIECE GASKET MT</p>	<p>WITH FRAME</p>	<p>BOLT ON ONE PIECE GASKET MT</p>	<p>WITH FRAME</p>
001		002	

5594	KENWORTH	5599	KENWORTH
CRE-5/CRE-4/CPE-4/CVTU-4	T-800 89-94	CRE-4/CVTU-4	T-600 92-95
<p>CORE SIZE: 40" X 30" INLET: 2 1/4" OUTLET: 3" OIL COOLER: NO REFERENCE: SRM5594 KEN22</p>		<p>CORE SIZE: 40" X 28" INLET: 2 1/4" OUTLET: 3" OIL COOLER: NO REFERENCE: SRM5599</p>	
<p>BOLT ON ONE PIECE GASKET MT</p>	<p>WITH FRAME</p>	<p>BOLT ON ONE PIECE GASKET MT</p>	<p>WITH FRAME</p>
003		004	

5605	KENWORTH	5736	KENWORTH
CRE-4/CVTU-4	T-450 93-95	CTVTU-3/CTVTM-3/CTVTM-2	T-300
<p>CORE SIZE: 32 11/16" X 28 3/4" INLET: 2 1/4" OUTLET: FLANGE OIL COOLER: NO REFERENCE: KEN23</p>		<p>CORE SIZE: 36 1/2" X 25 3/8" INLET: 2 1/2" OUTLET: 2 1/2" OIL COOLER: NO REFERENCE: KEN04, 239341 437167TNP</p>	
<p>BOLT ON ONE PIECE GASKET MT</p>	<p>WITH FRAME</p>	<p>SOLDER ON MT</p>	<p>WITHOUT FRAME</p>
005		006	

6010 KENWORTH

CVTU-3/CVTM-3/CTVTU-3/CTVTM-3 T-2000

CORE SIZE:
37 1/4" X 32 13/16"

INLET:
2 1/2"

OUTLET:
2 1/2"

OIL COOLER:
NO

REFERENCE:
KEN05
239498
KEN05F
437179TNP

007 **MT** WITH OR WITHOUT FRAME

6213 KENWORTH

CVTU-4/CVTX-4(NEW) T-600, T-800 95-99

CORE SIZE:
40" X 28 33/64"

INLET:
2 1/2"

OUTLET:
3"

OIL COOLER:
NO

REFERENCE:
SRM6213
6500-06
KEN06
239312
2101-2503
2101-2501
239209

008 **MT** WITH FRAME

8048 KENWORTH

CVTU-3/CVTU-4/CVT-3TT W900B 91-07

CORE SIZE:
40" X 28 1/2" X 1 9/16"

INLET:
2 1/2"

OUTLET:
FLANGE

OIL COOLER:
NO

REFERENCE:
SRM8048-4N
650007
239337
239327

009 **MT** WITH FRAME

8061 KENWORTH

CVTU-4/CTVTU-4 T-2000

CORE SIZE:
38 1/8" X 33 11/16"

INLET:
2 1/2"

OUTLET:
2 1/2"

OIL COOLER:
NO

REFERENCE:
4870810009
7006435002
SRK7179-A
650005A
2001-2505
KEN05AF
650005WOF

010 **MT** WITH OR WITHOUT FRAME

8062 KENWORTH/PETERBILT

CTVTM-3 379 SERIES T-300 2003

CORE SIZE:
34 3/4" X 15 17/32"

INLET:
2 1/4"

OUTLET:
2 1/4"

OIL COOLER:
NO

REFERENCE:
770005
3E10673D
PET05
239207

011 **MT** WITHOUT FRAME

8085 KENWORTH

CTVTM-3 T-800 SPECIAL EDITION

CORE SIZE:
37 3/4" X 23 41/64"

INLET:
2 1/2"

OUTLET:
2 1/2"

OIL COOLER:
NO

REFERENCE:
KWT800
650008
KEN08

012 **MT** WITHOUT FRAME

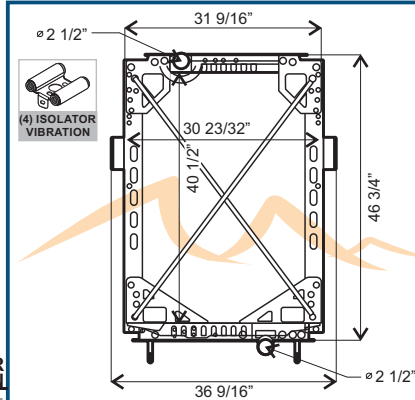
8174

KENWORTH

CVTM-3

T-660 06-11, W-900 08-15, T-880 2014

CORE SIZE:
40 1/2" X 30 23/32"
INLET:
2 1/2"
OUTLET:
2 1/2"
OIL COOLER:
NO
REFERENCE:
NORTHERN 239129,
SPECTRA 2001-2507



SOLDER ON

013 RELEASE: 04/08

MT

WITH FRAME

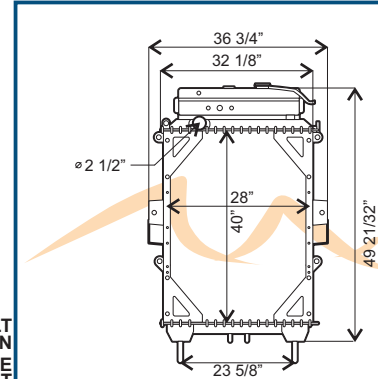
8214

KENWORTH

CVTU-4

TRUCK

CORE SIZE:
40" X 28"
INLET:
2 1/2"
OUTLET:
FLANGE
OIL COOLER:
NO
REFERENCE:
KEN07
K900C



BOLT ON
ONE PIECE GASKET

014 RELEASE: 03/09

MT

WITH FRAME

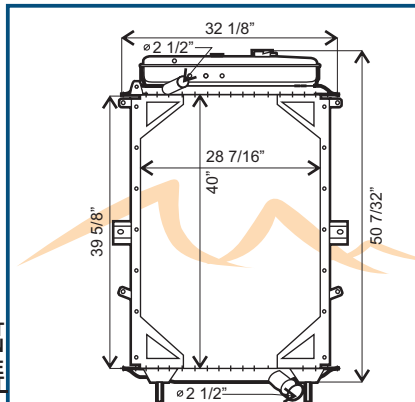
8258

KENWORTH

CVTU-4 VTX-4

T-600, T-800 2008

CORE SIZE:
40" X 28 7/16"
INLET:
2 1/2"
OUTLET:
2 1/2"
OIL COOLER:
NO
REFERENCE:
X5601-20
KENWORTH YET



BOLT ON
ONE PIECE GASKET

015 RELEASE: 11/09

MT

WITH FRAME

8287

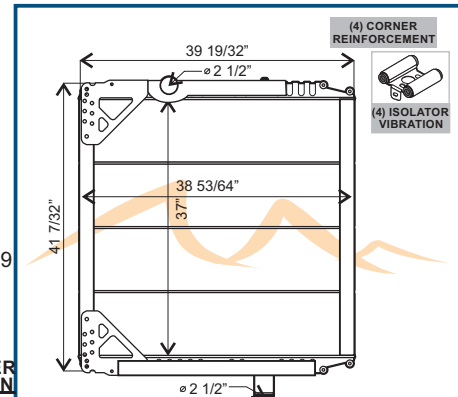
KENWORTH/PETERBILT

CVTM-3

8287 = 8322 (N/A)

T-800, T-880/
365, 367, 567 08-15

CORE SIZE:
37" X 38 53/64"
INLET:
2 1/2"
OUTLET:
2 1/2"
OIL COOLER:
NO
REFERENCE:
NORTHERN 239165,
2001-2508, PET18, KW69



SOLDER ON

016 RELEASE: 10/10

WITH OR WITHOUT FRAME

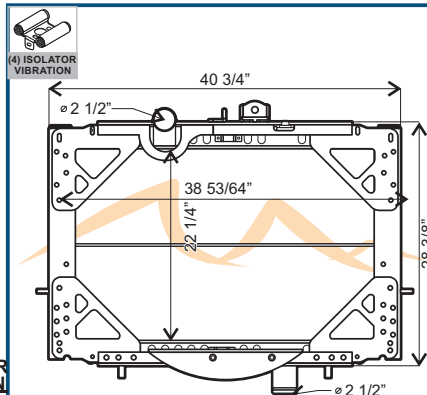
8289

KENWORTH

CVTM-3/CTVTM-3

T370 2009-2010 BEHC H5408

CORE SIZE:
22 1/4" X 38 53/64"
INLET:
2 1/2"
OUTLET:
2 1/2"
OIL COOLER:
NO
REFERENCE:
7700-14
239167



SOLDER ON

017 RELEASE: 10/10

WITH OR WITHOUT FRAME

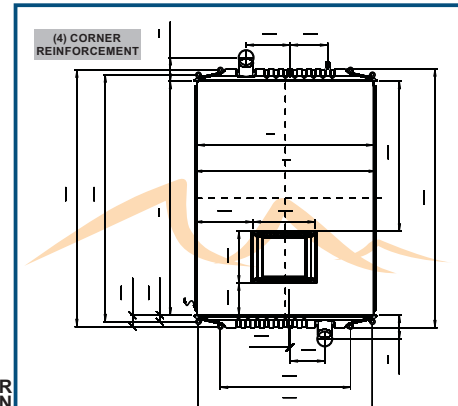
8328

KENWORTH

CTVTU-3

T-660/320 CURBTENDER
SANITATION TRUCK 08-13

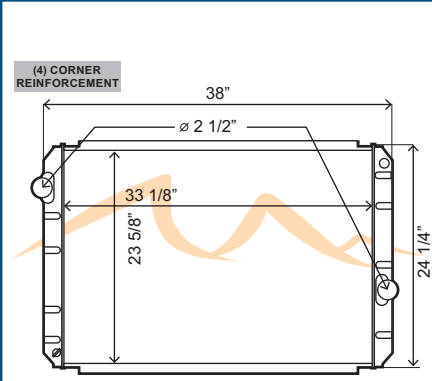
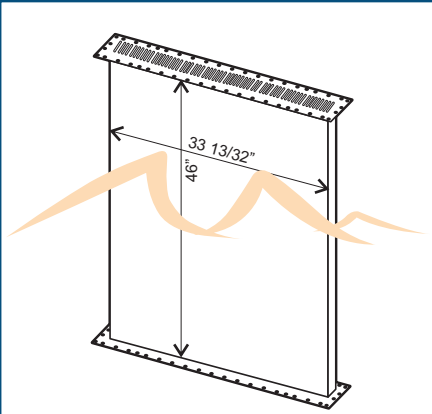
CORE SIZE:
40 1/2" X 30 5/8"
INLET:
2 1/2"
OUTLET:
2 1/2"
OIL COOLER:
NO
REFERENCE:
NORTHERN 239074,
KEN19, 770022, 559074,
OEM:F3160961001010

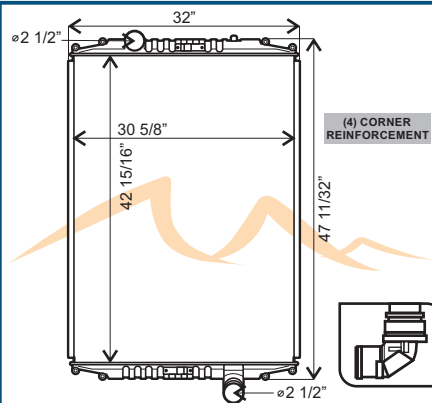
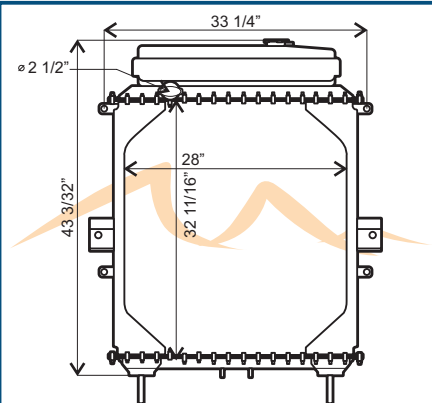


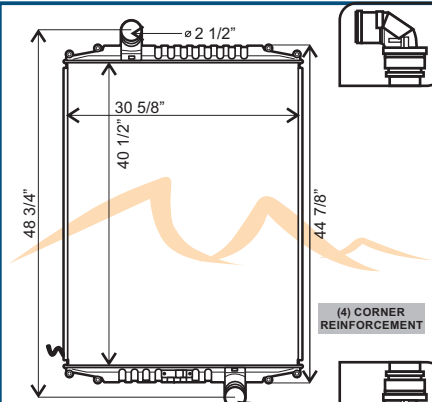
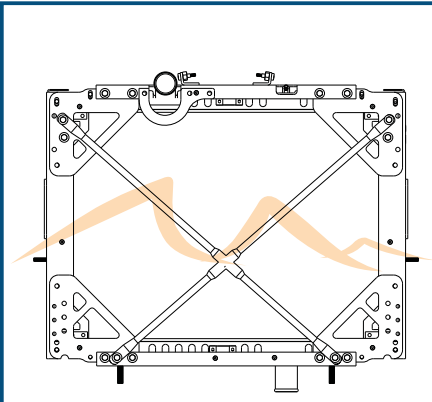
SOLDER ON

018 RELEASE: 03/11

WITH OR WITHOUT FRAME

8359	KENWORTH	8366	KENWORTH
CTVTU-4TT	KENWORTH W900	VT-4TT	HEAVY HAULER
<p>CORE SIZE: 33 1/8" X 23 5/8" INLET: 2 1/2" OUTLET: 2 1/2" OIL COOLER: NO REFERENCE: ACTIVE 650014</p>	 <p>WITHOUT FRAME</p>	<p>CORE SIZE: 46" X 33 13/32" INLET: OUTLET: OIL COOLER: REFERENCE:</p>	 <p>WITHOUT FRAME</p>
019 RELEASE: 04/12		020 RELEASE: 09/12	

8404	KENWORTH/PETERBILT	8410	KENWORTH
CTVTU-4TT/CVTU-4TT	T-660, W-900, W900B2, T-800H 06-14	CVTU-4	KW-T450
<p>CORE SIZE: 42 15/16" X 30 5/8" INLET: 2 1/2" OUTLET: 2 1/2" OIL COOLER: REFERENCE: NORTHERN 239045, 2001-2514, KEN20, S6518, 559045</p>	 <p>AVAILABLE WITH SIDE CHANNELS</p>	<p>CORE SIZE: 32 11/16" X 28" INLET: 2 1/2" OUTLET: FLANGE OIL COOLER: NO REFERENCE: 239094 NORTHERN</p>	 <p>WITH FRAME</p>
021 RELEASE: 01/13		022 RELEASE: 10/13	

8412	KENWORTH/PETERBILT	8444	KENWORTH
CTVTU-3/CTVTM-3	T-660	CVTU-4TT	T-300, T-370 11-14 / PETERBILT 330, 337, 348 11-12
<p>CORE SIZE: 40 1/2" X 30 5/8" INLET: 2 1/2" OUTLET: 2 1/2" OIL COOLER: REFERENCE: 770022</p>	 <p>WITH SIDE CHANNELS</p>	<p>CORE SIZE: 25 11/16" X 38 15/16" X 2 1/16" INLET: 2 1/2" OUTLET: 2 1/2" OIL COOLER: NO REFERENCE: NORTHERN 238651, 2001-3809, KEN30, 770041AP, OEM:F316164110120G</p>	
023 RELEASE: 01/13		024	

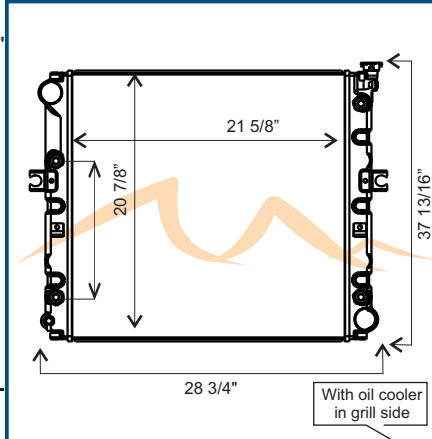
8524

KOMATSU

CTABE-4TT

FORKLIFT

CORE SIZE:
21 5/8" X 20 7/8" X 2 1/16"
INLET:
1 3/4"
OUTLET:
1 3/4"
OIL COOLER:
YES 758524
REFERENCE:
3EC04A6210 NORTHERN



025 **RELEASE:**
08/15

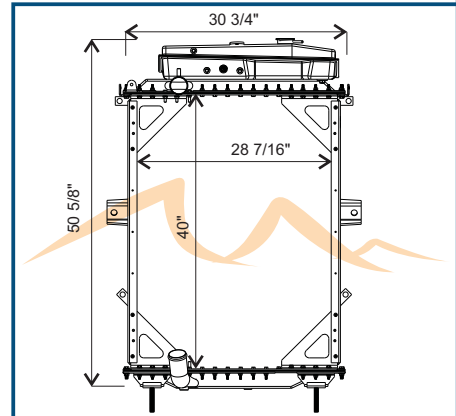
8536

KENWORTH

CVTU-4/CVTU-4TT

KENWORTH T-400B, T-450B, T-600A, T-800

CORE SIZE:
40" X 28 7/16" X 2 5/8"
INLET:
2 1/2"
OUTLET:
2 1/2"
OIL COOLER:
NO
REFERENCE:
NORTHERN 238753



026 **RELEASE:**
04/16

NOTAS

Radiators

PHAR

**KUBOTA
MACK
MAN**

2018

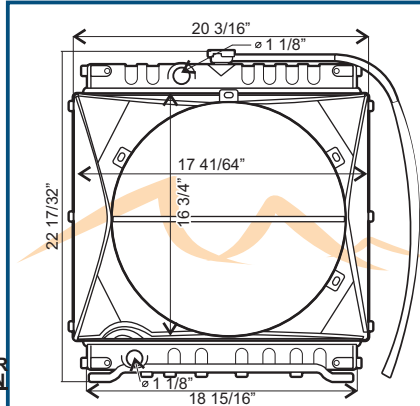
8275

KUBOTA

CVTM-2

INDUSTRIAL

CORE SIZE:
16 3/4" X 17 41/64"
INLET:
1 1/8"
OUTLET:
1 1/8"
OIL COOLER:
NO
REFERENCE:
S 1505



SOLDER ON

WITH SIDE CHANNELS

001 RELEASE: 10/10

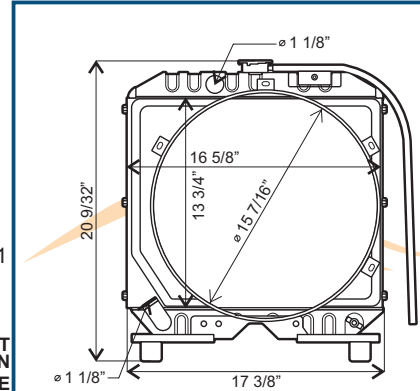
8318

KUBOTA

CVTU-3

POWER UNIT A-41

CORE SIZE:
13 3/4" X 16 5/8"
INLET:
1 1/8"
OUTLET:
1 1/8"
OIL COOLER:
NO
REFERENCE:
NORTHERN 245967,
X9905, OEM:1662572061



BOLT ON
ONE PIECE
GASKET

WITH FRAME

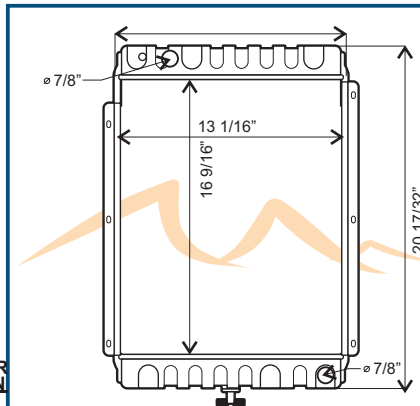
002 RELEASE: 05/11

8319

KUBOTA

CVTM-2

CORE SIZE:
16 9/16" X 13 1/16"
INLET:
7/8"
OUTLET:
7/8"
OIL COOLER:
NO
REFERENCE:
3RPS5-013 (WORKS)
X9910



SOLDER ON

WITH SIDE CHANNELS

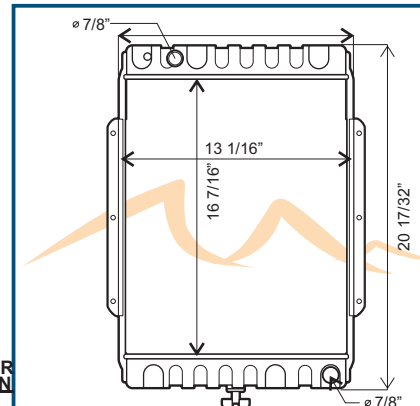
003 RELEASE: 12/10

8320

KUBOTA

CVTM-2

CORE SIZE:
16 7/16" X 13 1/16"
INLET:
7/8"
OUTLET:
7/8"
OIL COOLER:
NO
REFERENCE:
3RPS-20 (WORKS)
X9911



SOLDER ON

WITH SIDE CHANNELS

004 RELEASE: 12/10

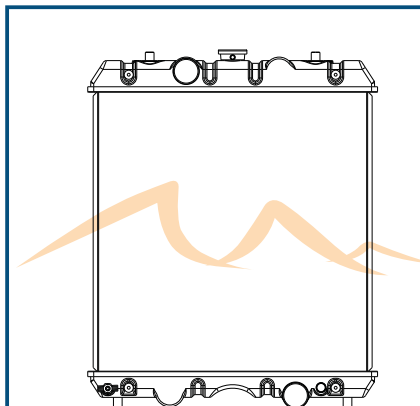
8570

KUBOTA

CTVTU-4

TRACTOR

CORE SIZE:
19 1/8" X 18 3/8" X 2 5/8"
INLET:
1 3/4"
OUTLET:
1 3/4"
OIL COOLER:
NO
REFERENCE:
211102 NORTHERN



005 RELEASE: 07/17

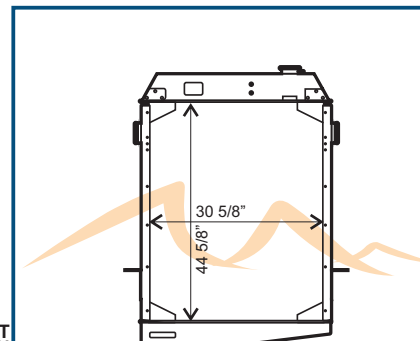
5959

MACK

CRE-5/CPE-4

TRUCK

CORE SIZE:
44 5/8" X 30 5/8"
INLET:
2 1/2"
OUTLET:
FLANGE
OIL COOLER:
NO
REFERENCE:
NATIONAL MARKET



BOLT ON
ONE PIECE
GASKET

WITH FRAME

006

MT

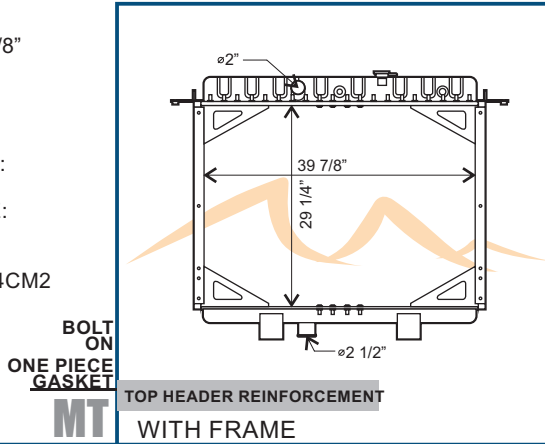
8003

MACK

CVTU-4

MACK SERIES

CORE SIZE:
29 1/4" X 39 7/8"
INLET:
2"
OUTLET:
2 1/2"
OIL COOLER:
NO
REFERENCE:
239395
MAC09
OEM3MF5474CM2
X45081



007 RELEASE: 11/09

MT

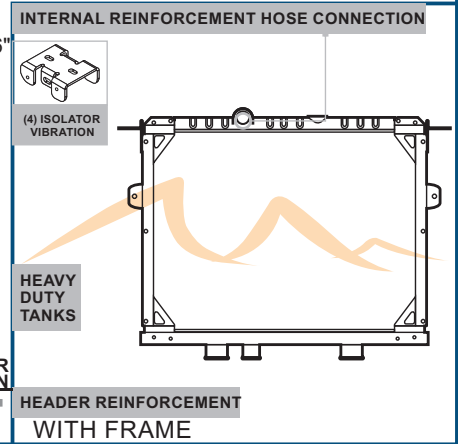
8053

MACK

CVTM-3/CTIE-4

CH 613 E7 SERIES 91-04

CORE SIZE:
28 7/8" X 38 3/4" X 2 5/16"
INLET:
2"
OUTLET:
1/2"
OIL COOLER:
NO
REFERENCE:
1102027/20961102027
1003269/1003270
730005ST
MAC05
239376/239205
730005WF
2001-3505



008

MT

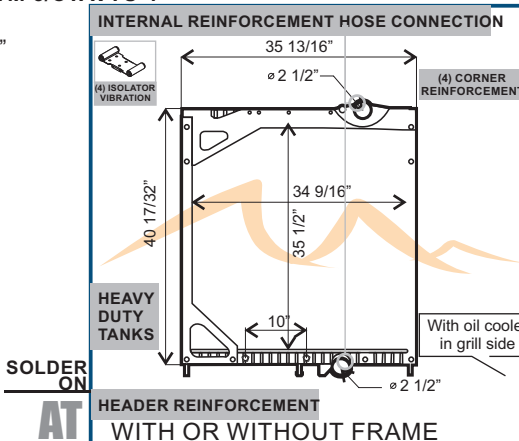
8075

MACK/VOLVO

CAVTU-3/CAVTM-3 CTAVTU-3/CTAVTM-3/CTAVTU-4

VN SERIES 03-07 / MACK CHN / CXN 05-07

CORE SIZE:
35 1/2" X 34 9/16"
INLET:
2 1/2"
OUTLET:
2 1/2"
OIL COOLER:
YES 758075
REFERENCE:
NORTHERN
239211



009 RELEASE: 10/05

AT

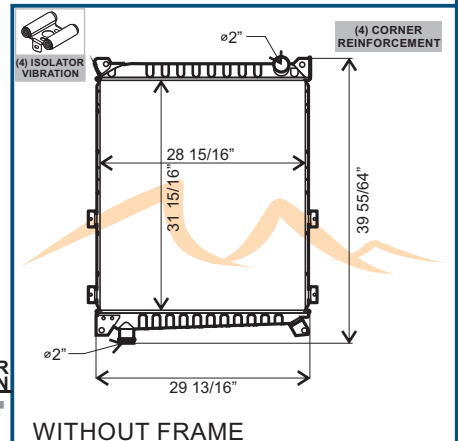
8091

MACK

CTVTM-3

CX/ZXN 612

CORE SIZE:
31 15/16" X 28 15/16"
INLET:
2"
OUTLET:
2"
OIL COOLER:
NO
REFERENCE:
3MF5541AM
7300-11
MAC11
239252
MKCX



010 RELEASE: 03/07

MT

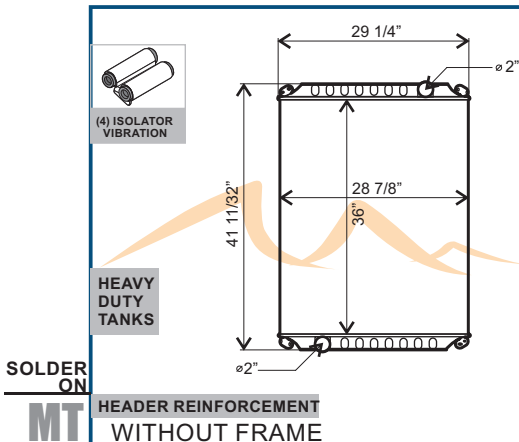
8095

MACK

CTVTU-3

VISION CX613

CORE SIZE:
36" X 28 7/8"
INLET:
2"
OUTLET:
2"
OIL COOLER:
NO
REFERENCE:
7300-08
MAC08
239400
437357S;AS



011 RELEASE: 08/07

MT

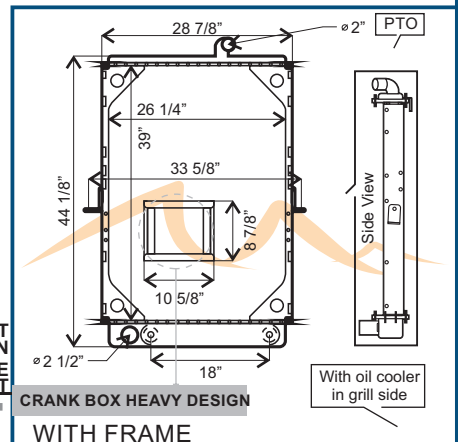
8173

MACK

CAVTU-3/CAVTU-4TT/CVTU-4/CTE-4

MR-600 SANITATION TRUCKS

CORE SIZE:
39" X 26 1/4" X 2 1/8"
INLET:
2"
OUTLET:
2 1/2"
OIL COOLER:
YES 1018173/1048173
REFERENCE:
NORTHERN 239396



012 RELEASE: 02/14

AT

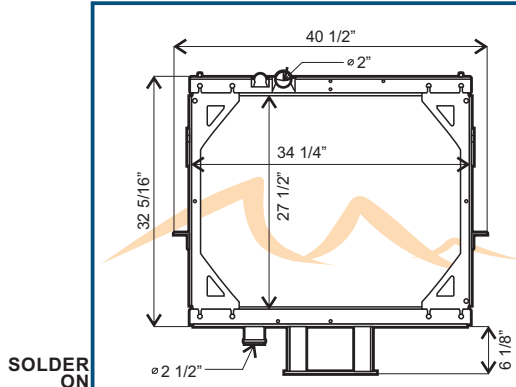
8197

MACK

CTVTM-3/CTVTU-3/CVTM-3/CVTU-3

VISION

CORE SIZE:
27 1/2" X 34 1/4"
INLET:
2"
OUTLET:
2 1/2"
OIL COOLER:
NO
REFERENCE:
MAC06
239304
2001-3006
S7306



013 RELEASE: 09/09

MT

WITH OR WITHOUT FRAME

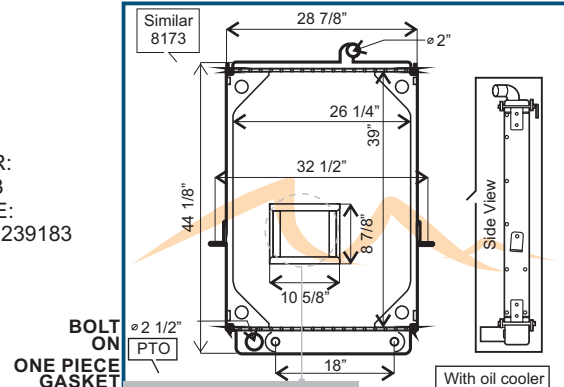
8226

MACK

CAVTU-3/CAVTU-4/CAVT-4

LE-600 SANITATION TRUCK 00-07

CORE SIZE:
39" X 26 1/4"
INLET:
2"
OUTLET:
2 1/2"
OIL COOLER:
YES 1018173
REFERENCE:
NORTHERN 239183



014 RELEASE: 07/09

AT

WITH FRAME

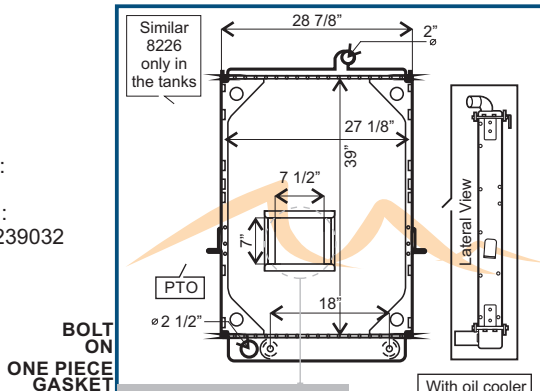
8239

MACK

CAVTU-4/CAVT-4

SANITATION TRUCKS

CORE SIZE:
39" X 27 1/8"
INLET:
2"
OUTLET:
2 1/2"
OIL COOLER:
YES 1048173
REFERENCE:
NORTHERN 239032



015 RELEASE: 10/09

AT

WITH FRAME

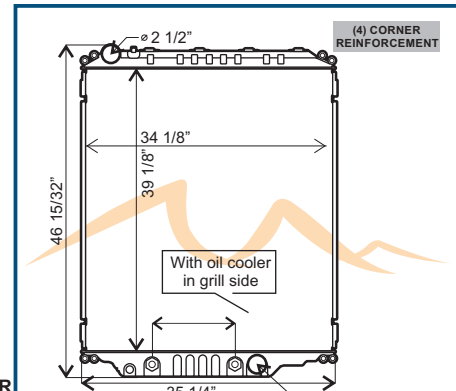
8353

MACK/VOLVO

CTVTU-4TTE

SHN SERIES 08-10

CORE SIZE:
39 1/8" X 34 1/8"
INLET:
2 1/2"
OUTLET:
2 1/2"
OIL COOLER:
YES 75-8353
REFERENCE:
ACTIVE 730018U
AKM5781
239182 NORTHERN
OEM 21095128



016 RELEASE: 02/12

SOLDER ON

WITHOUT FRAME

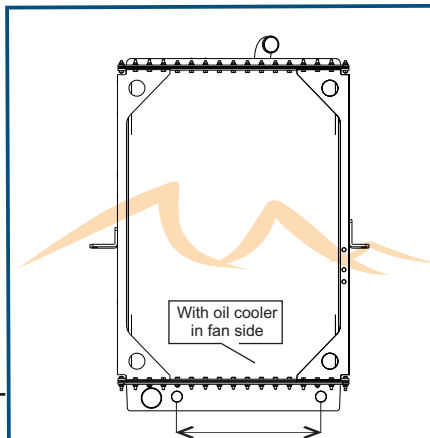
8557

MACK

CAVTU-4TT

MR 600

CORE SIZE:
39" X 26 1/4" X 2 1/16"
INLET:
2"
OUTLET:
2 1/2"
OIL COOLER:
YES 1048173
REFERENCE:
239396 NORTHERN



017 RELEASE: 10/16

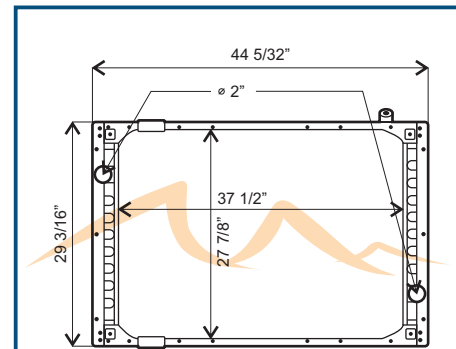
8149

MAN

CVTX-2

BUS

CORE SIZE:
37 1/2" X 27 7/8"
INLET:
2"
OUTLET:
2"
OIL COOLER:
NO
REFERENCE:



018 RELEASE: 08/07

SOLDER ON

WITH FRAME

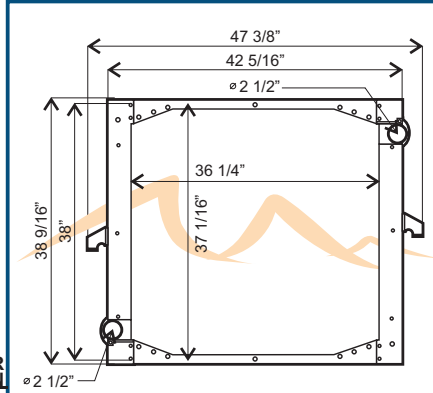
8198

MAN

CVTX-2

BUS 660 02-04

CORE SIZE:
36 1/4" X 37 1/16"
INLET:
2 1/2"
OUTLET:
2 1/2"
OIL COOLER:
NO
REFERENCE:
MAN660
2000-04



WITH FRAME



SCAN OUR QR CODE

019

RELEASE:
02/09

MT

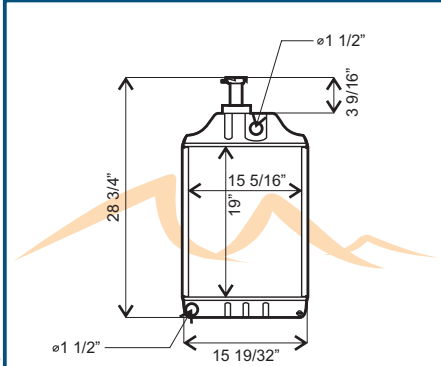
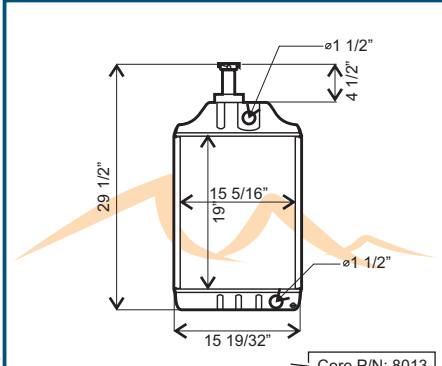
NOTAS

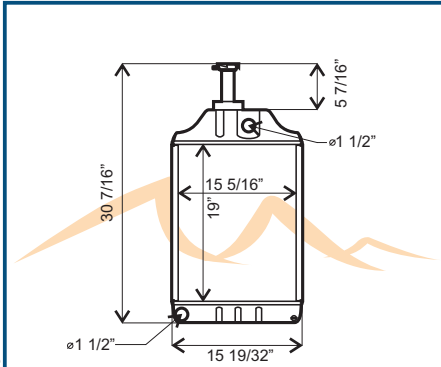
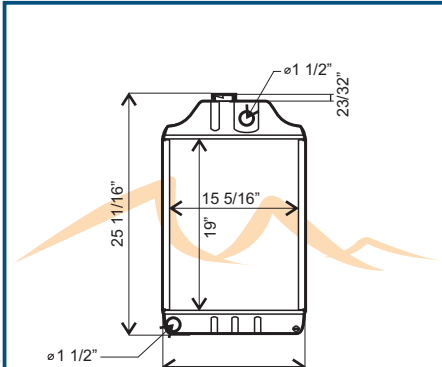
Radiators

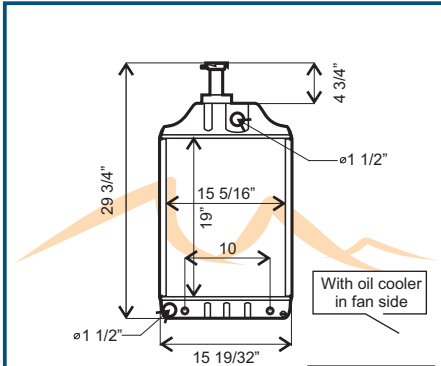
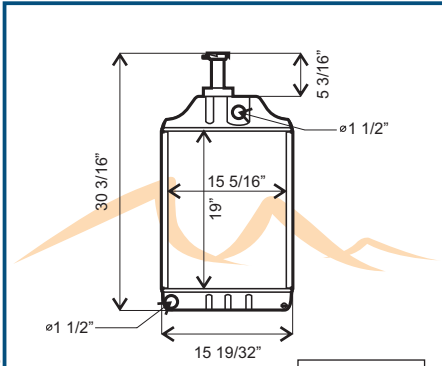
PHAR

**MASSEY FERGUSON
MERCEDES BENZ
MITSUBISHI
NEW HOLLAND**

2018

8013	MASSEY FERGUSON	8014	MASSEY FERGUSON
CTC-3	178, 185, 188	CTC-3	265, 255 W/GAS EARLY
<p>CORE SIZE: 19" X 15 5/16" INLET: 1 1/2" OUTLET: 1 1/2" OIL COOLER: NO REFERENCE: CR 9545 219545 A885579M91</p>		<p>CORE SIZE: 19" X 15 5/16" INLET: 1 1/2" OUTLET: 1 1/2" OIL COOLER: NO REFERENCE: CR 9766 219766 A-531980M94</p>	
<p>SOLDER ON MT</p>	<p>WITH SIDE CHANNELS</p>	<p>SOLDER ON MT</p>	<p>WITH SIDE CHANNELS</p>
001		002	

8015	MASSEY FERGUSON	8016	MASSEY FERGUSON
CTC-4	MOD. 690	CTC-3 30, 165, 175, 180, 3165 CONTINENTAL & DIESEL	
<p>CORE SIZE: 19" X 15 5/16" INLET: 1 1/2" OUTLET: 1 1/2" OIL COOLER: NO REFERENCE: CR 9778 219778 1680599M92</p>		<p>CORE SIZE: 19" X 15 5/16" INLET: 1 1/2" OUTLET: 1 1/2" OIL COOLER: NO REFERENCE: CR 9776 219776 197401M91</p>	
<p>SOLDER ON MT</p>	<p>WITH SIDE CHANNELS</p>	<p>SOLDER ON MT</p>	<p>WITH SIDE CHANNELS</p>
003		004	

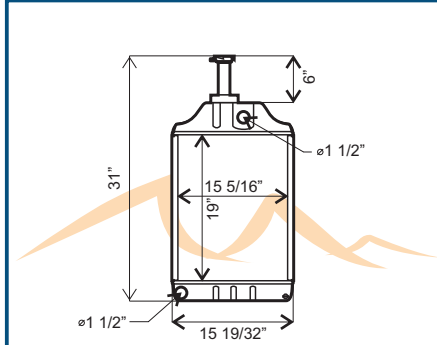
8017	MASSEY FERGUSON	8018	MASSEY FERGUSON
CATC-3	255, 265 DIESEL	CTC-3	255 DIESEL
<p>CORE SIZE: 19" X 15 5/16" INLET: 1 1/2" OUTLET: 1 1/2" OIL COOLER: YES 756329 REFERENCE: CR 9837 219838 531892M94</p>		<p>CORE SIZE: 19" X 15 5/16" INLET: 1 1/2" OUTLET: 1 1/2" OIL COOLER: NO REFERENCE: CR 9838 219838 531892M94</p>	
<p>SOLDER ON AT</p>	<p>WITH SIDE CHANNELS</p>	<p>SOLDER ON MT</p>	<p>WITH SIDE CHANNELS</p>
005		006	

8019

MASSEY FERGUSON

CTC-3 50E-UK, 270, 275UK, 283-UK, 290-UK, 670

CORE SIZE:
19" X 15 5/16"
INLET:
1 1/2"
OUTLET:
1 1/2"
OIL COOLER:
NO
REFERENCE:
CR 9842
219842
3820620M91



SOLDER ON

Core P/N: 8013

007

MT

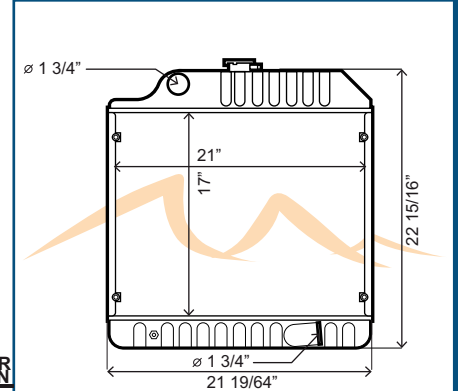
WITH SIDE CHANNELS

8355

MASSEY FERGUSON

CTC-4 TRACTOR

CORE SIZE:
17" X 21"
INLET:
1 3/4"
OUTLET:
1 3/4"
OIL COOLER:
NO
REFERENCE:
3808159M3
MASSEY PUMP



SOLDER ON

008 **RELEASE: 04/12**

WITH SIDE CHANNELS

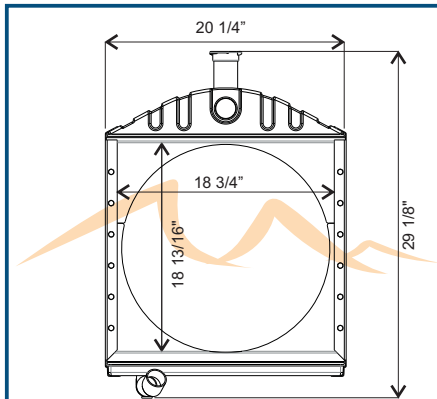
8447

MASSEY FERGUSON

CTC-4

HARRIS MODEL 44

CORE SIZE:
18 3/4" X 18 13/16"
INLET:
1 3/4"
OUTLET:
1 3/4"
OIL COOLER:
NO
REFERENCE:
NORTHERN 212087,
OEM:763554M91



009 **RELEASE: 06/14**

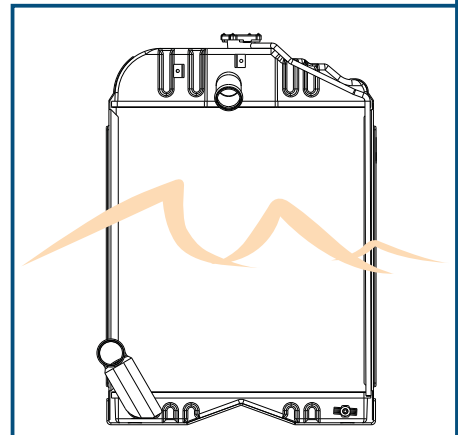
8572

MASSEY FERGUSON

CNC-3

Te20, TEA20, TO20, TO30,
To35, 35 GAS, 202 GAS

CORE SIZE:
17 1/16" X 15" X 1 5/8"
INLET:
1 1/2"
OUTLET:
1 1/2"
OIL COOLER:
NO
REFERENCE:
219560 NORTHERN



010

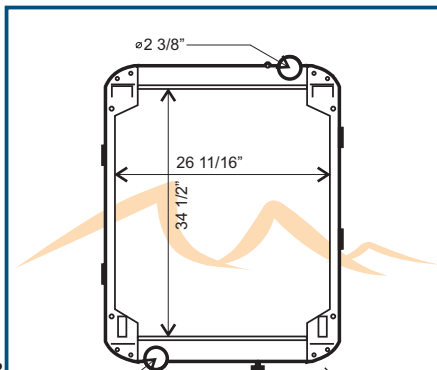
6210

MERCEDES BENZ

CVTU-3/CVTU-4/CVTM-3

ALEGRO BUS 01-02

CORE SIZE:
34 1/2" X 26 11/16"
INLET:
2 3/8"
OUTLET:
2 3/8"
OIL COOLER:
NO
REFERENCE:
NATIONAL MARKET



SOLDER ON

Mot. Backward 4 & 6 Cyl.

011

MT

WITH FRAME

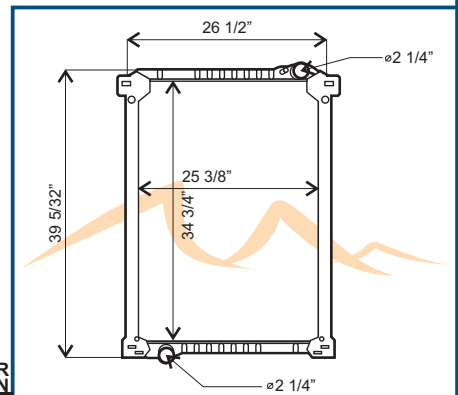
6238

MERCEDES BENZ

CVTU-3

TORINO 00-07 URBANO

CORE SIZE:
34 3/4" X 25 3/8"
INLET:
2 1/4"
OUTLET:
2 1/4"
OIL COOLER:
NO
REFERENCE:



SOLDER ON

012

MT

WITH FRAME

<h3>8141</h3> <p>FREIGHTLINER/MERCEDES BENZ</p> <p>CVTM-3/CTVTM-3</p> <p>BUSINESS CLASS M2 2008</p> <p>CORE SIZE: 31 5/8" X 24 23/64" INLET: 2" OUTLET: 2" OIL COOLER: NO REFERENCE: B 9688 20050513055325</p> <p>013 MT WITH OR WITHOUT FRAME</p>	<h3>8156</h3> <p>MERCEDES BENZ</p> <p>CVTX-2</p> <p>BUS ACTROS, SETRA</p> <p>CORE SIZE: 40" X 31 49/64" INLET: 2 1/2" OUTLET: 2 1/2" OIL COOLER: NO REFERENCE: NO</p> <p>014 MT WITH FRAME</p>
---	---

<h3>8185</h3> <p>FREIGHTLINER/MERCEDES BENZ</p> <p>CVTM-3</p> <p>M2, MC, MM 06-09</p> <p>CORE SIZE: 31 3/4" X 26 1/8" INLET: 2" OUTLET: 2" OIL COOLER: NO REFERENCE: NORTHERN 239130, FRE41</p> <p>015 MT WITH FRAME</p>	<h3>8186</h3> <p>FREIGHTLINER/MERCEDES BENZ</p> <p>CAVTM-3</p> <p>M2 BUS 04-07</p> <p>CORE SIZE: 29 5/8" X 26 1/8" INLET: 2" OUTLET: 2" OIL COOLER: YES 756125 REFERENCE: NORTHERN 238617, FRE42, 8000-66-AP</p> <p>016 AT WITH FRAME</p>
---	--

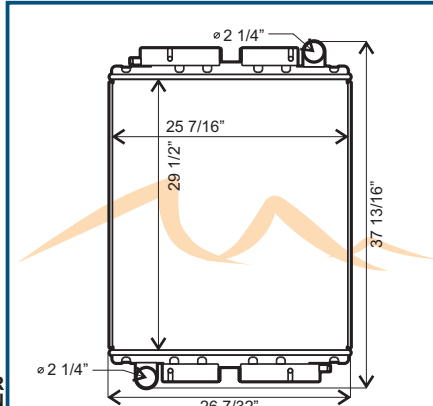
<h3>8207</h3> <p>MERCEDES BENZ</p> <p>CVTM-3</p> <p>ZAFIRO 924 08-10</p> <p>CORE SIZE: 24 1/8" X 23 41/64" INLET: 1 3/4" OUTLET: 1 3/4" OIL COOLER: NO REFERENCE: NO</p> <p>017 MT WITH FRAME</p>	<h3>8216</h3> <p>FREIGHTLINER/MERCEDES BENZ</p> <p>CVTM-3</p> <p>BUSINESS CLASS M2</p> <p>CORE SIZE: 31 5/8" X 24 23/64" INLET: 2" OUTLET: 2" OIL COOLER: NO REFERENCE: B 9688 20050513055325</p> <p>018 MT WITH FRAME</p>
--	---

8344

MERCEDES BENZ

CTVTM-4 MARCOPOLO TORINO 33A-3047B (SERIE A633500)

CORE SIZE:
29 1/2" X 25 7/16"
INLET:
2 1/4"
OUTLET:
2 1/4"
OIL COOLER:
NO
REFERENCE:
2G5002
002
A633500 0002 KZ
3AB047B



WITHOUT FRAME

019 RELEASE: 10/11

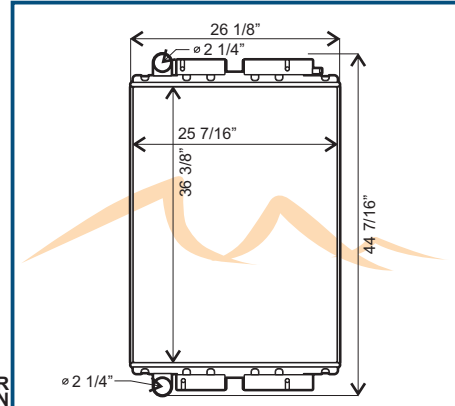
SOLDER ON

8345

MERCEDES BENZ

CTVTM-3 ANDARE AUTOBUS A634501000-1 2000-2006

CORE SIZE:
36 3/8" X 25 7/16"
INLET:
2 1/4"
OUTLET:
2 1/4"
OIL COOLER:
NO
REFERENCE:
3AB028
A634501001



WITHOUT FRAME

020 RELEASE: 10/11

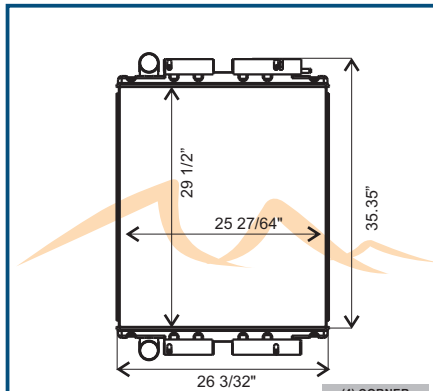
SOLDER ON

8515

MERCEDES BENZ

CVTX-3 ANDARE 2011

CORE SIZE:
29 1/2" X 25 27/64"
INLET:
2 1/4"
OUTLET:
2 1/4"
OIL COOLER:
NO
REFERENCE:
SIMILAR 8345



WITH FRAME

(4) CORNER REINFORCEMENT

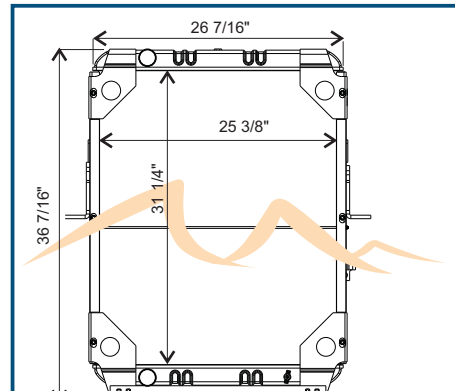
021 RELEASE: 02/15

8529

MERCEDES BENZ

CVTU-3 BOXER / AYCO MAGNO 96-02 MOTORES 190 & 210 H.P.

CORE SIZE:
31 1/4" X 25 3/8" X 1 7/8"
INLET:
1 3/4"
OUTLET:
1 3/4"
OIL COOLER:
NO
REFERENCE:
63424, 97685



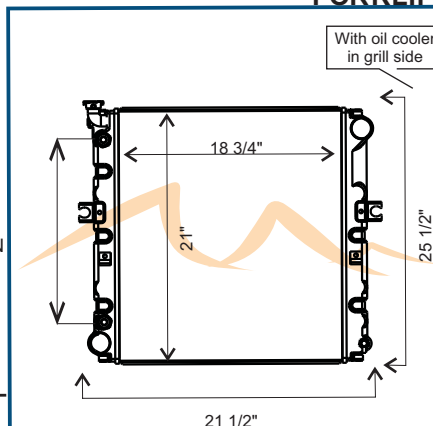
022 RELEASE: 11/15

8525

MITSUBISHI

CTAUE-4TT FORKLIFT

CORE SIZE:
18 3/4" X 21 X 2 1/16"
INLET:
1 3/4"
OUTLET:
1 3/4"
OIL COOLER:
YES 758525M
REFERENCE:
246314/246313 NORTHERN
9180209300



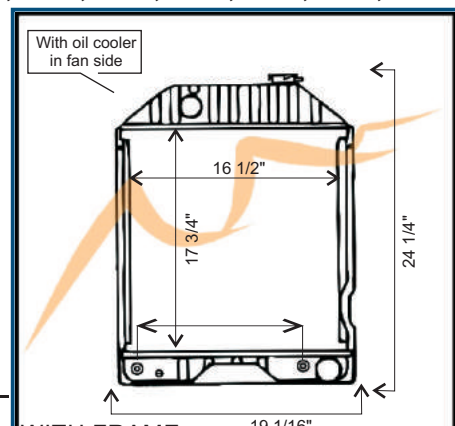
023 RELEASE: 08/15

4026

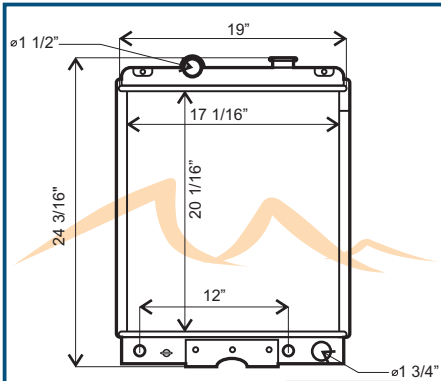
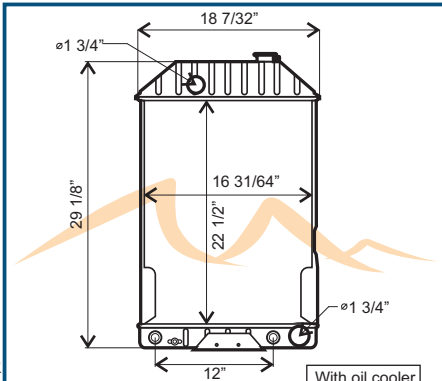
NEW HOLLAND

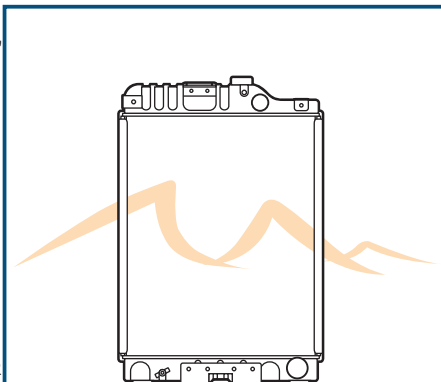
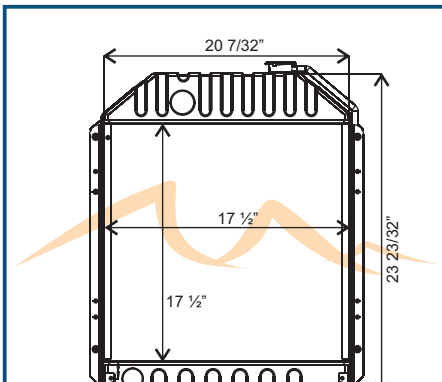
CAVT-4 5110, 5600, 6410, 6600, 6610, 6810, 7410

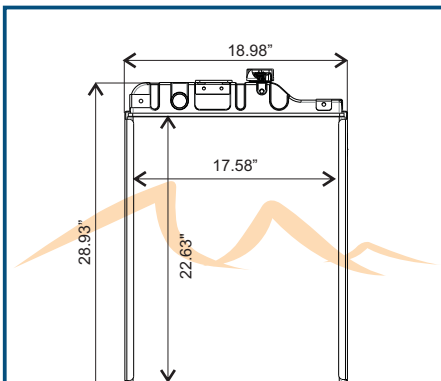
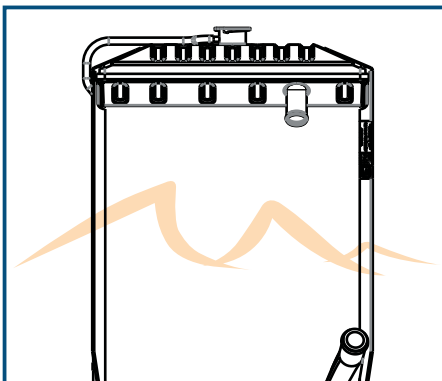
CORE SIZE:
17 3/4" X 16 1/2" X 2 5/8"
INLET:
1 1/2"
OUTLET:
1 3/4"
OIL COOLER:
YES 754026
REFERENCE:
NORTHERN
219534, 82980245



024 RELEASE: 08/15

<h3>8002</h3> <p>NEW HOLLAND</p> <p>CAZC-4/CAZC-5</p> <p>TB4-TB6</p> <p>CORE SIZE: 20 1/16" x 17 1/16"</p> <p>INLET: 1 1/2"</p> <p>OUTLET: 1 3/4"</p> <p>OIL COOLER: YES 758002</p> <p>REFERENCE: 211021 82985374</p>	 <p>WITH SIDE CHANNELS</p>	<h3>8093</h3> <p>FORD/NEW HOLLAND</p> <p>CAVT-4/CANC-5</p> <p>7810S</p> <p>CORE SIZE: 22 1/2" X 16 31/64"</p> <p>INLET: 1 3/4"</p> <p>OUTLET: 2"</p> <p>OIL COOLER: YES 754026</p> <p>REFERENCE: NORTHERN 211012</p>	 <p>WITH FRAME</p>
--	---	---	---

<h3>8213</h3> <p>NEW HOLLAND</p> <p>CTC-4/CBC-4TT</p> <p>TRACTOR 10S</p> <p>CORE SIZE: 22 5/8" X 17 1/32" X 2 1/16"</p> <p>INLET: 1 1/2"</p> <p>OUTLET: 2"</p> <p>OIL COOLER: NO</p> <p>REFERENCE: 10S</p>	 <p>WITH SIDE CHANNELS</p>	<h3>8432</h3> <p>NEW HOLLAND</p> <p>CUC-4TT/CTC-4</p> <p>TRACTOR</p> <p>CORE SIZE: 17 1/2" X 17 1/2"</p> <p>INLET: 1 3/4"</p> <p>OUTLET: 1 1/2"</p> <p>OIL COOLER: NO</p> <p>REFERENCE: CNH 929892 TT75</p>	
---	--	--	--

<h3>8492</h3> <p>NEW HOLLAND</p> <p>CBC-4TT</p> <p>S10 TRACTOR</p> <p>CORE SIZE: 22.63" X 17.58"</p> <p>INLET: 1 1/2"</p> <p>OUTLET: 1 1/2"</p> <p>OIL COOLER: NO</p> <p>REFERENCE: 82988918</p>		<h3>8571</h3> <p>FORD/NEW HOLLAND</p> <p>CNA-3</p> <p>AGRICOLA</p> <p>CORE SIZE: 17 5/8" X 16 1/4" X 1 5/8"</p> <p>INLET: 1 1/4"</p> <p>OUTLET: 1 1/2"</p> <p>OIL COOLER: NO</p> <p>REFERENCE: 219556 NORTHERN</p>	
---	---	---	---

Radiators

PHAR

**NISSAN
NOVA BUS
PETERBILT**

2018

<h3>8099</h3> <p>TOYOTA/NISSAN</p> <p>CAVTU-3/CAVTM-3/CANC-3/CANC-4 FORKLIFT</p> <p>CORE SIZE: 17 3/4" X 17 1/2" INLET: 1 3/8" OUTLET: 1 3/8" OIL COOLER: YES 113150 REFERENCE: ACTIVE 41067</p> <p>001 RELEASE: 12/07 AT</p> <p>WITH SIDE CHANNELS</p> <p>With oil cooler in fan side</p>	<h3>8212</h3> <p>NISSAN</p> <p>CVTU-2 URVAN 04-09</p> <p>CORE SIZE: 14 1/8" X 21 7/16" INLET: 1 3/8" OUTLET: *1 3/8" OIL COOLER: NO REFERENCE: Ns036, 37629, LHRP663-1</p> <p>002 RELEASE: 03/09 MT</p> <p>WITH SIDE CHANNELS</p> <p>Similar to 6212</p>
--	--

<h3>8220</h3> <p>NISSAN</p> <p>CAVT-3/CAVTU-3 FORKLIFT</p> <p>CORE SIZE: 14 1/2" X 19 49/64" INLET: 1 3/8" OUTLET: 1 3/8" OIL COOLER: YES 756365 REFERENCE: 246117 NORTHERN</p> <p>003 RELEASE: 06/09 AT</p> <p>WITH SIDE CHANNELS</p> <p>It is possible to made in flat fin</p>	<h3>8329</h3> <p>NISSAN</p> <p>CVTU-2 URVAN DIESEL MODEL 2008-2010</p> <p>CORE SIZE: 14 1/8" X 21 7/16" INLET: 1 3/8" OUTLET: *1 3/8" OIL COOLER: NO REFERENCE: NATIONAL MARKET</p> <p>004 RELEASE: 03/11 MT</p> <p>WITH SIDE CHANNELS</p> <p>*Outlet backward</p>
--	--

<h3>8415</h3> <p>NISSAN</p> <p>CATC-3 LIFT TRUCK</p> <p>CORE SIZE: 18 5/16" X 17 1/16" INLET: 1 3/4" OUTLET: 1 3/4" OIL COOLER: YES REFERENCE:</p> <p>005 RELEASE: 05/13 MT</p> <p>WITH SIDE CHANNELS</p> <p>With oil cooler in fan side</p>	<h3>8430</h3> <p>NISSAN</p> <p>CAVTU-3 LIFT TRUCK</p> <p>CORE SIZE: 14 1/2" X 19 1/4" INLET: 1 3/8" OUTLET: 1 3/8" OIL COOLER: YES REFERENCE: NORTHERN</p> <p>006 RELEASE: 06/13 MT</p> <p>WITH SIDE CHANNELS</p> <p>With oil cooler in fan side</p>
--	--

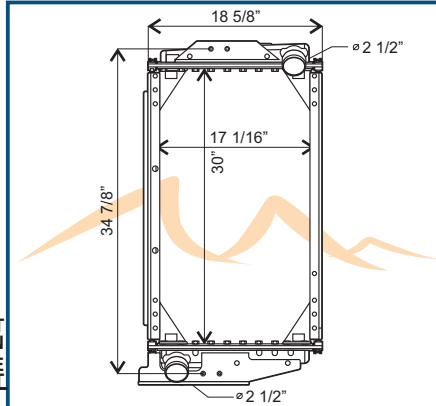
8263

NOVA BUS

CTE-6

BUS 95-00

CORE SIZE:
30" X 17 1/16"
INLET:
2 1/2"
OUTLET:
2 1/2"
OIL COOLER:
NO
REFERENCE:
NORTHERN 239062,
NOV01



BOLT ON
ONE PIECE
GASKET

007 RELEASE:
01/10

MT

WITH FRAME

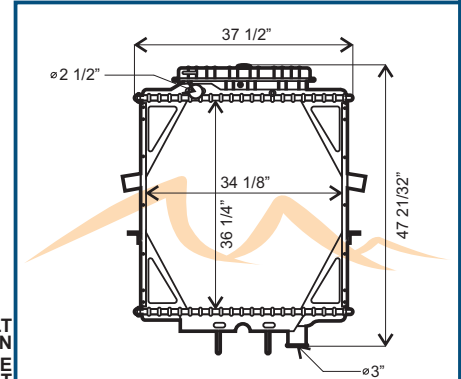
8036

PETERBILT

CVTU-3/CVTU-4

357, 375, 379 83-85

CORE SIZE:
36 1/4" X 34 1/8"
INLET:
2 1/2"
OUTLET:
3"
OIL COOLER:
NO
REFERENCE:
7700-06
PET06
2101-3701
239310



BOLT ON
ONE PIECE
GASKET

008

MT

WITH FRAME

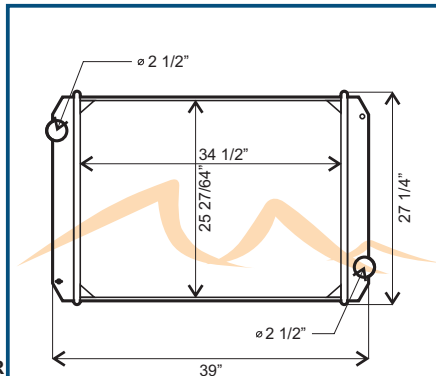
8046

PETERBILT

CTVTM-3

330 SERIES

CORE SIZE:
34 1/2" X 25 27/64"
INLET:
2 1/2"
OUTLET:
2 1/2"
OIL COOLER:
NO
REFERENCE:
770003ST
770004ST
PET04
239389
07-06875A-001
0706875A-90



SOLDER ON

009

MT

WITHOUT FRAME

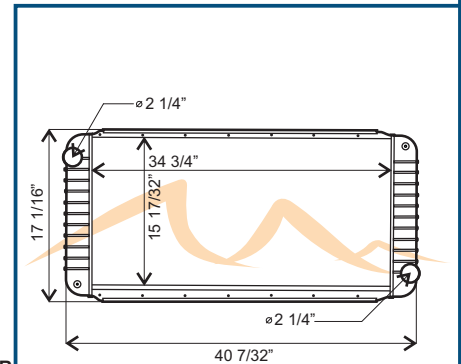
8062

KENWORTH/PETERBILT

CTVTM-3

379 SERIES T-300 2003

CORE SIZE:
34 3/4" X 15 17/32"
INLET:
2 1/4"
OUTLET:
2 1/4"
OIL COOLER:
NO
REFERENCE:
770005
3E10673D
PET05
239207



SOLDER ON

010

MT

WITHOUT FRAME

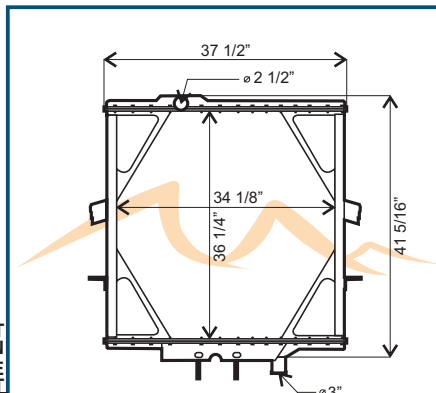
8076

PETERBILT

CVTU-3/CVTU-4

LOW FLOW

CORE SIZE:
36 1/4" X 34 1/8"
INLET:
2 1/2"
OUTLET:
3"
OIL COOLER:
NO
REFERENCE:
PET12



BOLT ON
ONE PIECE
GASKET

011 RELEASE:
06/05

MT

WITH FRAME

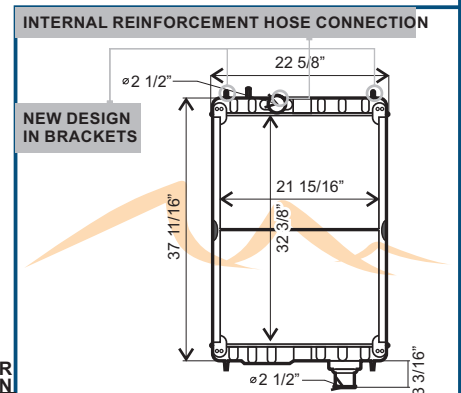
8110

PETERBILT

CVTM-3/CVT-4TT

387 SERIES FITS EARLY

CORE SIZE:
32 3/8" X 21 15/16"
INLET:
2 1/2"
OUTLET:
2 1/2"
OIL COOLER:
NO
REFERENCE:
7700-09
2001-3703
239206
PET13



SOLDER ON

012

RELEASE:
05/15

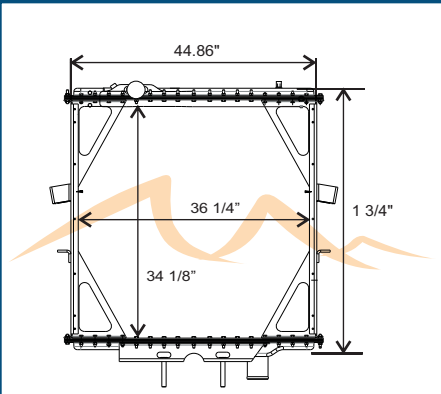
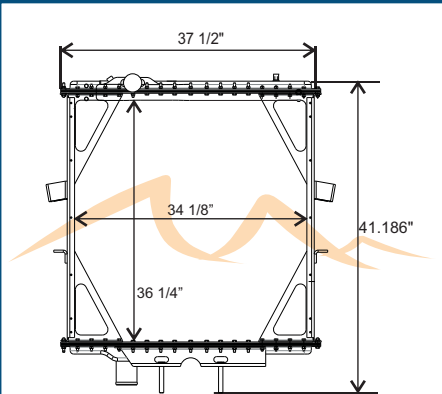
MT

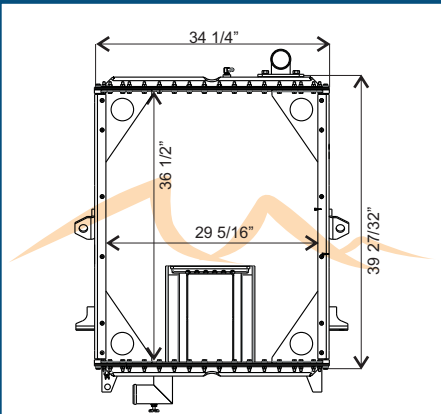
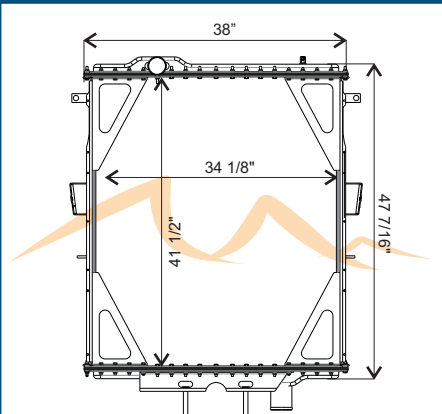
WITH SIDE CHANNELS

<h3>8128</h3> <p>PETERBILT</p> <p>CVTU-4/CVTU-3 357,375, THRU 379 & 385. 1000</p> <p>CORE SIZE: 36 1/4" X 34 1/8" INLET: 2 1/4" OUTLET: 2 1/4" OIL COOLER: NO REFERENCE: 239208 PET14</p> <p>013 MT</p>	<p>WITH FRAME</p>	<h3>8135</h3> <p>PETERBILT</p> <p>CVTU-3 387 SERIES</p> <p>CORE SIZE: 36 1/4" X 34 1/8" INLET: 2 1/2" OUTLET: 3" OIL COOLER: NO REFERENCE: OEM 1A19618 0706657A05S PET15 93LPM</p> <p>014 MT</p>	<p>WITH FRAME</p>
--	--------------------------	---	--------------------------

<h3>8276</h3> <p>PETERBILT</p> <p>CVTM-3 8276 = 8323 (N/A) 389</p> <p>CORE SIZE: 42 7/8" X 38 27/32" INLET: 2 1/2" OUTLET: 2 1/2" OIL COOLER: NO REFERENCE: 770017</p> <p>015 RELEASE: 10/10</p>	<p>WITH FRAME</p>	<h3>8286</h3> <p>PETERBILT</p> <p>CVTU-4/CVT-4TT 387 WITH CAT C13/C15</p> <p>CORE SIZE: 36 1/4" X 34 1/8" INLET: 2 1/2" OUTLET: 2 1/2" OIL COOLER: NO REFERENCE: 239132 NORTHERN</p> <p>016 RELEASE: 07/10</p>	<p>WITH FRAME</p>
--	--------------------------	---	--------------------------

<h3>8321</h3> <p>PETERBILT</p> <p>CTVTM-3 T-680, T-880, T-2000 08-14 / 365, 367, 387, 587 11-12</p> <p>CORE SIZE: 34" X 38 53/64" INLET: 2 1/2" OUTLET: 2 1/2" OIL COOLER: NO REFERENCE: NORTHERN 239168, 2001-3705, 770015, PET17 OEM:F3160891233640</p> <p>017 RELEASE: 10/10</p>	<p>WITHOUT FRAME</p>	<h3>8373</h3> <p>PETERBILT</p> <p>CTVTU-4TT T-400, T-800, W-900/384, 386, 389 08-13</p> <p>CORE SIZE: 36" X 35 7/8" INLET: 2 1/2" OUTLET: 2 1/2" OIL COOLER: NO REFERENCE: NORTHERN 239186, 559186, PET20, PB66, 770021, 2001-2512</p> <p>018 RELEASE: 02/12</p>	<p>WITHOUT FRAME</p>
--	-----------------------------	---	-----------------------------

<p>8456</p> <p>PETERBILT</p> <p>CVTU-4TT/CVT-4 357, 385 2003-2007</p> <p>CORE SIZE: 36 1/4" X 33 61/64" INLET: 2 1/2" 1 3/4" OUTLET: 3" OIL COOLER: NO REFERENCE: 770044, 239075 770032 ACTIVE</p>  <p>019 RELEASE: 05/14</p>	<p>8460</p> <p>PETERBILT</p> <p>CVTU-4/CVTU-4TT 357 03-06 & 385 W/CUMMINS 03-07</p> <p>CORE SIZE: 36 1/4" X 34 1/8" INLET: 2 1/2" 34 1/8" OUTLET: 3" OIL COOLER: NO REFERENCE: NORTHERN 238640, 7700-32, PET23, 0706657A047</p>  <p>020 RELEASE: 05/15</p>
--	---

<p>8472</p> <p>PETERBILT</p> <p>CVTU-4 320/HEAVY DUTY TRUCK 93-07</p> <p>CORE SIZE: 36 1/2" X 29 5/16" INLET: 2 1/2" 36 1/2" OUTLET: 2 1/2" 29 5/16" OIL COOLER: NO REFERENCE: 239037</p>  <p>021 RELEASE: 07/14</p>	<p>8499</p> <p>PETERBILT</p> <p>CVTU-4 379 EX & XL SPECIAL EDITION 07-10</p> <p>CORE SIZE: 41 1/2" X 34 1/8" INLET: 2 1/2" 34 1/8" OUTLET: 3" 41 1/2" OIL COOLER: NO REFERENCE: NORTHERN 238819, 7700-415, OEM:0706657A073</p>  <p>022 RELEASE: 08/14</p>
---	--

NOTES

NOTAS

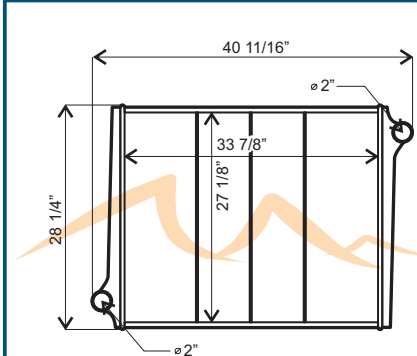
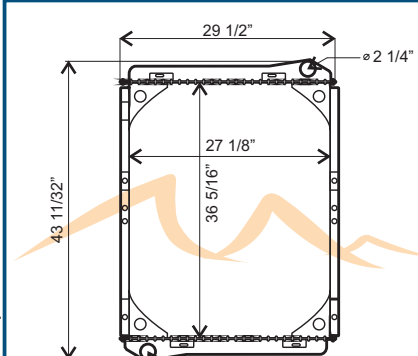
A large rectangular area with a light orange background and a dark blue border, containing horizontal lines for notes. At the bottom of this area, there is a stylized orange graphic element resembling a mountain range or a radiator profile.

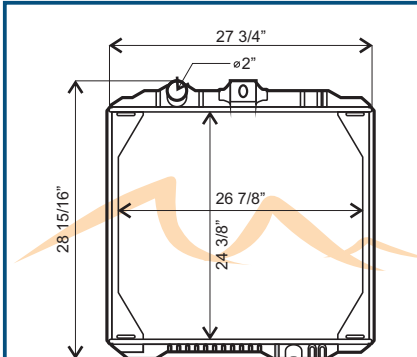
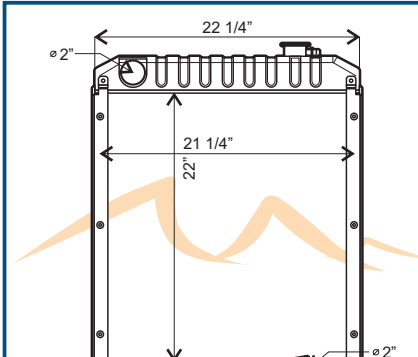
Radiators

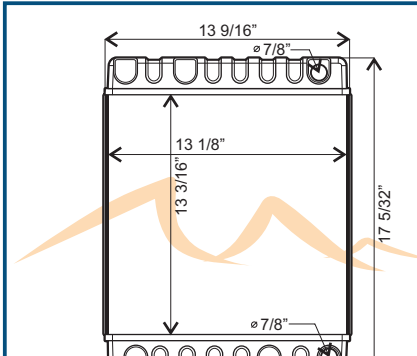
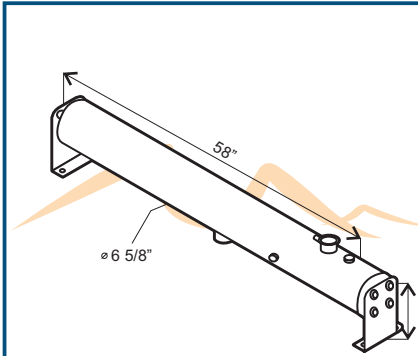
PHAR

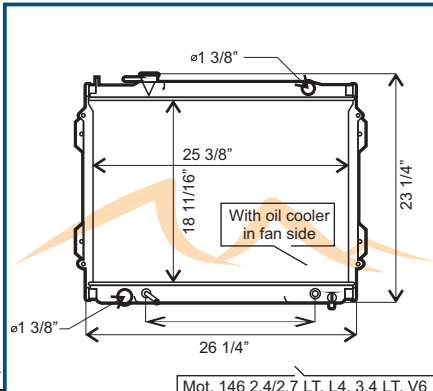
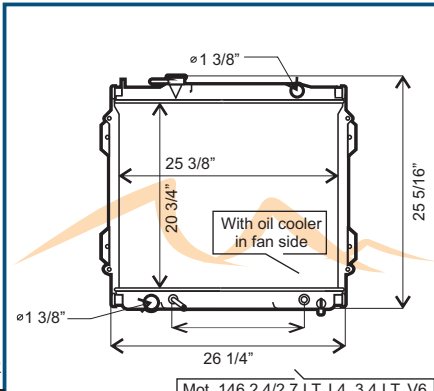
**SCANIA
SPECIAL
TOYOTA**

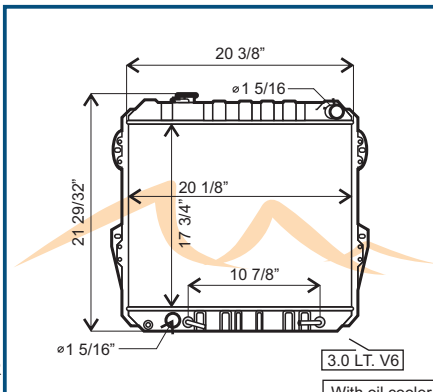
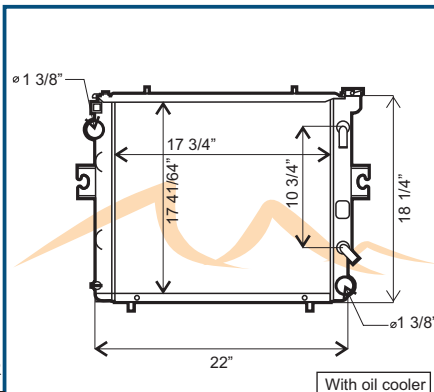
2018

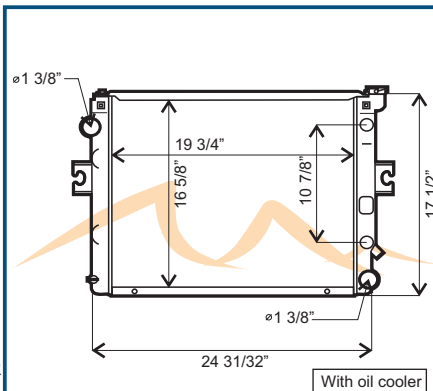
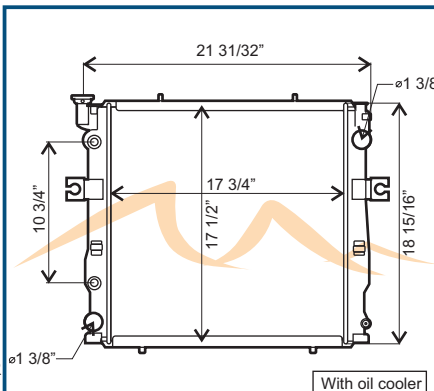
8039	SCANIA	8087	SPECIAL
CTVTU-3	BUS 2003	CME-5	TRANSIT BUS
<p>CORE SIZE: 33 7/8" X 27 1/8" INLET: 2" OUTLET: 2" OIL COOLER: NO REFERENCE: NATIONAL MARKET</p>		<p>CORE SIZE: 36 5/16" X 27 1/8" INLET: 2 1/4" OUTLET: 2 1/4" OIL COOLER: NO REFERENCE: TB8087</p>	
<p>001</p> <p style="text-align: center;">SOLDER ON MT</p>	<p style="text-align: center;">WITH SIDE CHANNELS WITHOUT FRAME</p>	<p style="text-align: center;">002</p> <p style="text-align: center;">BOLT ON ONE PIECE GASKET MT</p>	<p style="text-align: center;">WITH FRAME</p>

8088	SPECIAL	8301	SPECIAL
CVT-4	FedEx X99-04	CNC-3	FedEx X99-04
<p>CORE SIZE: 24 3/8" X 26 7/8" INLET: 2" OUTLET: 1 3/4" OIL COOLER: NO REFERENCE:</p>		<p>CORE SIZE: 22" X 21 1/4" INLET: 2" OUTLET: 2" OIL COOLER: NO REFERENCE: WORKS 798644653346</p>	
<p>003</p> <p style="text-align: center;">SOLDER ON MT</p>	<p style="text-align: center;">WITH SIDE CHANNELS</p>	<p>004 RELEASE: 07/10</p> <p style="text-align: center;">SOLDER ON MT</p>	<p style="text-align: center;">WITH FRAME</p>

8305	SPECIAL	8396	SPECIAL
CTVTM-2	KUBOTA	EXPANSION TANK	EXPANSION TANK
<p>CORE SIZE: 13 3/16" X 13 1/8" INLET: 7/8" OUTLET: 7/8" OIL COOLER: NO REFERENCE: SPECIAL</p>		<p>SIZE: 58" X 6 5/8" INLET: OUTLET: OIL COOLER: REFERENCE:</p>	
<p>005 RELEASE: 07/10</p> <p style="text-align: center;">SOLDER ON MT</p>	<p style="text-align: center;">WITHOUT FRAME</p>	<p>006 RELEASE: 09/12</p>	<p style="text-align: center;">WITH FRAME</p>

<h3>8033</h3> <p>CVTU-2/CAVTU-2</p> <p>CORE SIZE: 18 11/16" X 25 3/8" INLET: 1 3/8" OUTLET: 1 3/8" OIL COOLER: YES REFERENCE: 1778 DPI</p> <p>007</p>	<h3>TOYOTA</h3> <p>TACOMA 95-04</p>  <p>Mot. 146 2.4/2.7 LT. L4, 3.4 LT. V6</p> <p>WITH SIDE CHANNELS</p>	<h3>8034</h3> <p>CVTU-2/CAVTU-2</p> <p>CORE SIZE: 20 3/4" X 25 3/8" INLET: 1 3/8" OUTLET: 1 3/8" OIL COOLER: YES REFERENCE: 1774 DPI</p> <p>008</p>	<h3>TOYOTA</h3> <p>TACOMA 95-04</p>  <p>Mot. 146 2.4/2.7 LT. L4, 3.4 LT. V6</p> <p>WITH SIDE CHANNELS</p>
---	---	---	---

<h3>8040</h3> <p>CVTU-3/CAVTU-3</p> <p>CORE SIZE: 17 3/4" X 20 1/8" INLET: 1 5/16" OUTLET: 1 5/16" OIL COOLER: YES 756369 REFERENCE: 1190 DPI</p> <p>009</p>	<h3>TOYOTA</h3> <p>PICK UP 89-95</p>  <p>3.0 LT. V6</p> <p>WITH SIDE CHANNELS</p>	<h3>8042</h3> <p>CAVTM-3</p> <p>CORE SIZE: 17 3/4" X 17 41/64" INLET: 1 3/8" OUTLET: 1 3/8" OIL COOLER: YES 113-150 REFERENCE: 4100-03 LIF03 246011 16410 - U2200-71</p> <p>010</p>	<h3>TOYOTA</h3> <p>FORKLIFT</p>  <p>WITH SIDE CHANNELS</p>
--	--	---	---

<h3>8043</h3> <p>CAVTU-3/CAVTU-4</p> <p>CORE SIZE: 19 3/4" X 16 5/8" INLET: 1 3/8" OUTLET: 1 3/8" OIL COOLER: YES 113-150 REFERENCE: 4100-05 LIF05 246130 16410 - U2170-71</p> <p>011</p>	<h3>TOYOTA</h3> <p>FORKLIFT</p>  <p>WITH SIDE CHANNELS</p>	<h3>8099</h3> <p>CAVTU-3/CAVTM-3/CANC-3/CANC-4</p> <p>CORE SIZE: 17 3/4" X 17 1/2" INLET: 1 3/8" OUTLET: 1 3/8" OIL COOLER: YES 113150 REFERENCE: ACTIVE 41067</p> <p>012 RELEASE: 12/07</p>	<h3>TOYOTA/NISSAN</h3> <p>FORKLIFT</p>  <p>WITH SIDE CHANNELS</p>
---	--	--	---

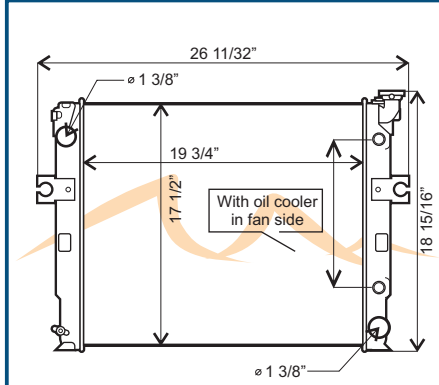
8330

TOYOTA

CTAXE-3

FORKLIFT 7FDU251DZ 1997-2000

CORE SIZE:
19 3/4" X 17 1/2"
INLET:
1 3/8"
OUTLET:
1 3/8"
OIL COOLER:
YES 113150 (7 PLATES)
REFERENCE:
246130
16410-U2170



AVAILABLE WITHOUT FRAME



SCAN OUR QR CODE

013 **RELEASE:**
02/11

NOTAS

Radiators

PHAIR

**TOM BUS
TREN MOTRIZ
TUG**

2018

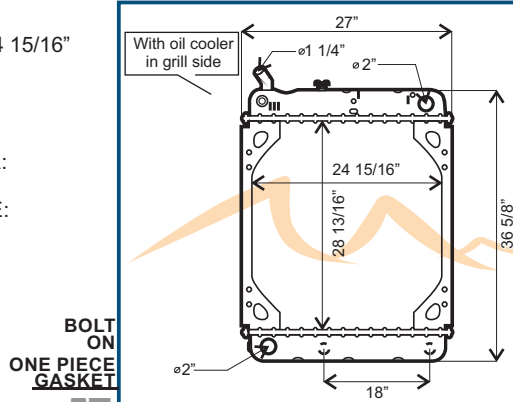
8112

TOM BUS

CAVTU-3

THOMAS BUS

CORE SIZE:
28 13/16" X 24 15/16"
INLET:
2"
OUTLET:
2"
OIL COOLER:
YES 101002
REFERENCE:
TB 8112



001

AT

WITH FRAME

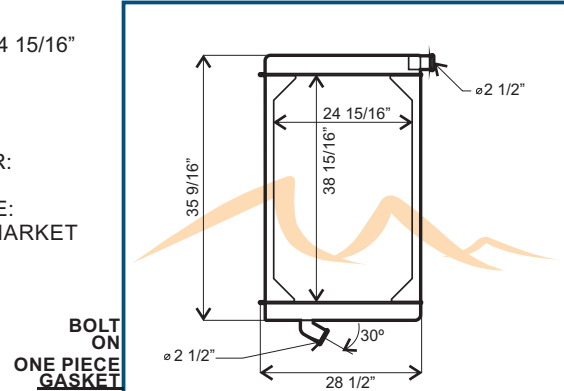
8045

TREN MOTRIZ

CVTU-4/CVTM-4

BUS F-11

CORE SIZE:
38 15/16" X 24 15/16"
INLET:
2 1/2"
OUTLET:
2 1/2"
OIL COOLER:
NO
REFERENCE:
NATIONAL MARKET



002

MT

WITH FRAME

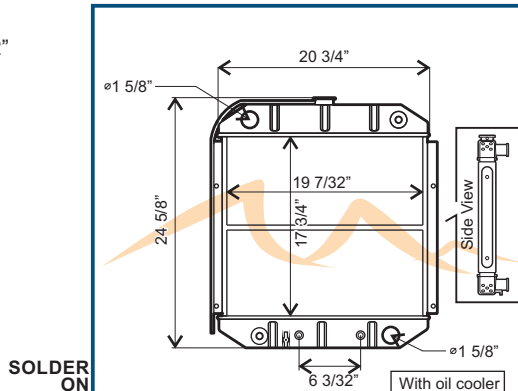
8108

TUG

CAVT-4

AIRPORT VEHICLE

CORE SIZE:
17 3/4" X 19 7/32"
INLET:
1 5/8"
OUTLET:
1 5/8"
OIL COOLER:
YES 756334
REFERENCE:
TUG01



003

AT

WITH SIDE CHANNELS

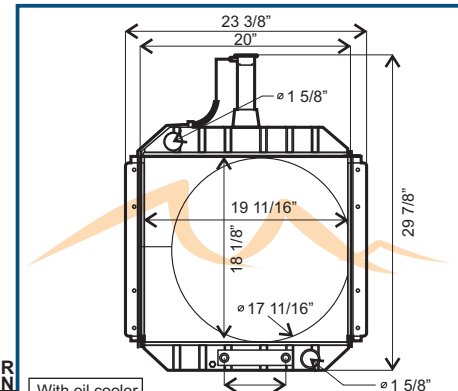
8177

TUG

CAVTU-4

AIRPORT

CORE SIZE:
18 1/8" X 19 11/16"
INLET:
1 5/8"
OUTLET:
1 5/8"
OIL COOLER:
YES 753329
REFERENCE:
232127



004

RELEASE:
03/09

AT

WITH FRAME

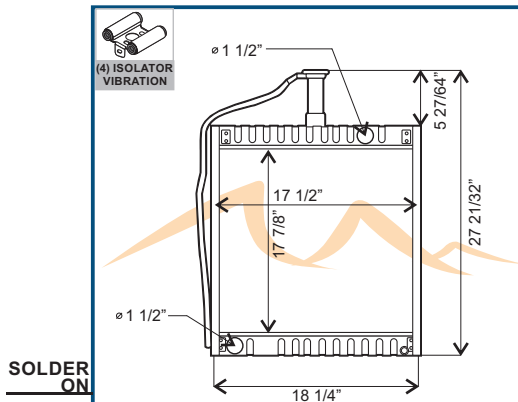
8196

TUG

CNC-4

TOWING AIRPORT

CORE SIZE:
17 7/8" X 17 1/2"
INLET:
1 1/2"
OUTLET:
1 1/2"
OIL COOLER:
NO
REFERENCE:
281423 TUG



005

RELEASE:
12/08

SOLDER ON

WITH FRAME

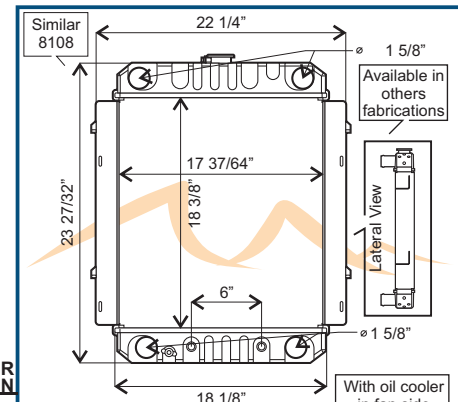
8219

TUG

CAVT-4

AIRPORT VEHICLE

CORE SIZE:
18 3/8" X 17 37/64"
INLET:
1 5/8"
OUTLET:
1 5/8"
OIL COOLER:
YES 758219
REFERENCE:
TUG01



006

RELEASE:
06/09

SOLDER ON

WITH SIDE CHANNELS

Radiators

PHAIR

**UPS
VOLKSWAGEN
VOLVO**

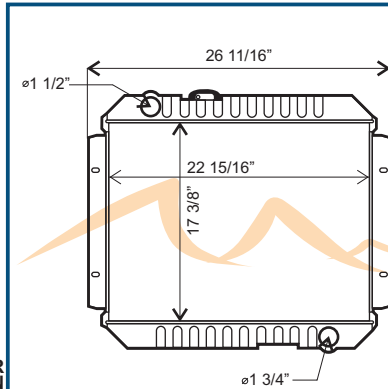
2018

8092

UPS

CVTM-2

CORE SIZE:
17 3/8" X 22 15/16"
INLET:
1 1/2"
OUTLET:
1 3/4"
OIL COOLER:
NO
REFERENCE:
UPS



SOLDER ON

001 RELEASE: 02/07

MT

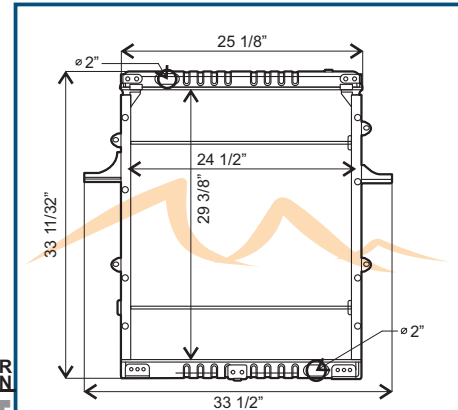
WITH SIDE CHANNELS

8232

VOLKSWAGEN

CVTU-3

CORE SIZE:
29 3/8" X 24 1/2"
INLET:
2"
OUTLET:
2"
OIL COOLER:
NO
REFERENCE:
VW17-250
2VR121253



SOLDER ON

002 RELEASE: 12/09

MT

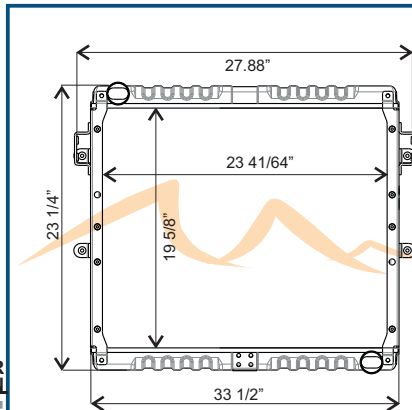
WITH FRAME

8500

VOLKSWAGEN

CVTM-3

CORE SIZE:
19 5/8" X 23 41/64"
INLET:
1 3/4"
OUTLET:
1 3/4"
OIL COOLER:
NO
REFERENCE:
VW17-250
2VR121253



SOLDER ON

003 RELEASE: 09/14

MT

WORKER 09-12

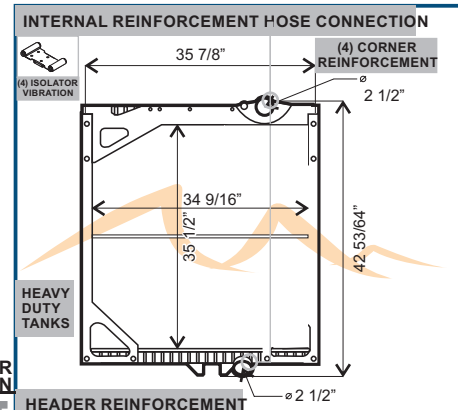
6003

VOLVO

CVTU-3/CTVTM-3 CVTU-3/CTVTM-3

CORE SIZE:
35 1/2" X 34 9/16"
INLET:
2 1/2"
OUTLET:
2 1/2"
OIL COOLER:
NO
REFERENCE:
8000-09
VOL09
2001-4603
239381
8000-09WF
239332
VOL09F

VN, VNL SERIES TRUCK 2000



SOLDER ON

004

MT

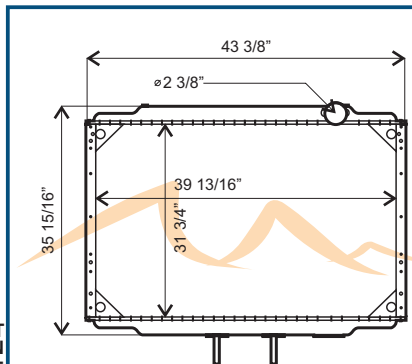
WITH OR WITHOUT FRAME

6027

VOLVO

CVTU-4

CORE SIZE:
31 3/4" X 39 13/16"
INLET:
2 3/8"
OUTLET:
FLANGE
OIL COOLER:
NO
REFERENCE:
SRM6027-N
239335
VOL42



BOLT ON
ONE PIECE
GASKET

005

MT

WITH FRAME

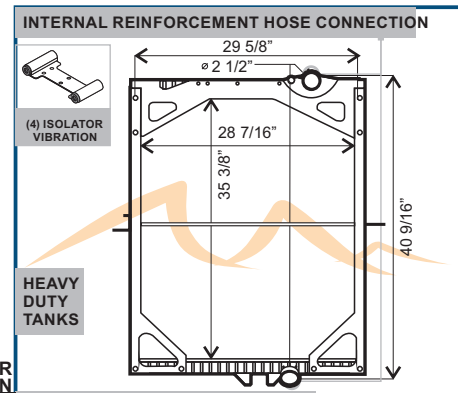
8035

VOLVO

CVTU-3/CTVTU-3

CORE SIZE:
35 3/8" X 28 7/16"
INLET:
2 1/2"
OUTLET:
2 1/2"
OIL COOLER:
NO
REFERENCE:

BUS 7550 01-03



SOLDER ON

006

MT

CORNER HEADER REINFORCEMENT
WITH OR WITHOUT FRAME

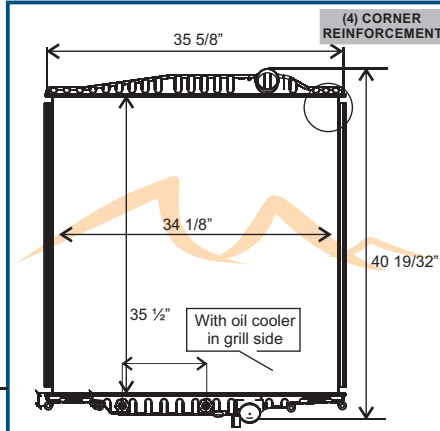
8075

VOLVO

CTAUE-3TT

VN SERIES 03-07 / MACK CHN / CXN 05-07

CORE SIZE:
35 1/2" X 34 1/8"
INLET:
2 1/2"
OUTLET:
2 1/2"
OIL COOLER:
YES
REFERENCE:
NORTHERN
239211



007 RELEASE: 08/13

SOLDER ON
MT

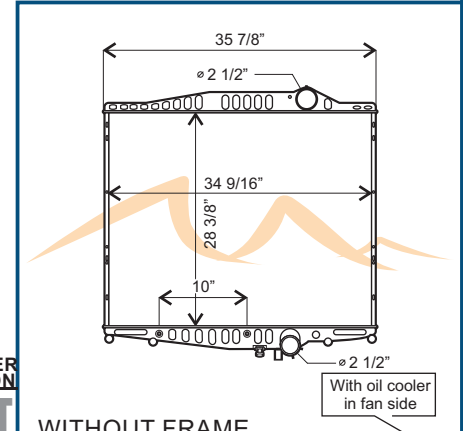
8100

VOLVO

CTAVTU-3

VHD SERIES 2004-2005

CORE SIZE:
28 3/8" X 34 9/16"
INLET:
2 1/2"
OUTLET:
2 1/2"
OIL COOLER:
YES 758075
REFERENCE:
VOL44
OEM B208426



008 RELEASE: 09/10

SOLDER ON
AT

WITHOUT FRAME

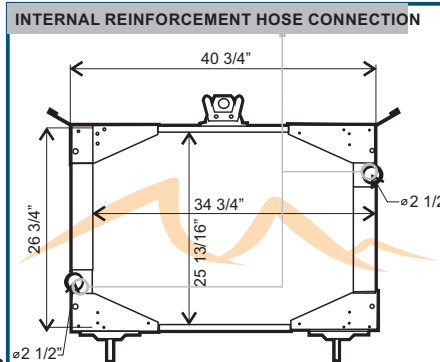
8104

VOLVO

CVTU-4/CTVTU-4

WG SERIES HIGH FLOW

CORE SIZE:
34 3/4" X 25 13/16"
INLET:
2 1/2"
OUTLET:
2 1/2"
OIL COOLER:
NO
REFERENCE:
8029741
8000-01/8000-01WF
2001-4601
239380
437125
VOL10F
VG72



009

SOLDER ON
MT

WITH OR WITHOUT FRAME

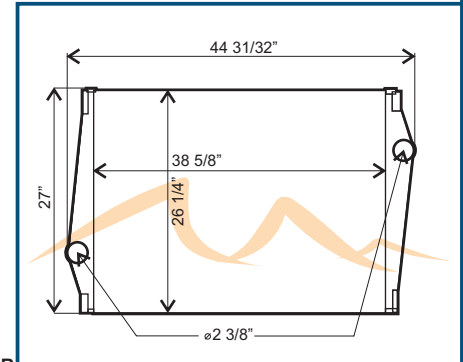
8109

VOLVO

CTVTU-3/CTVTM-3

WG SERIES

CORE SIZE:
38 5/8" X 26 1/4"
INLET:
2 3/8"
OUTLET:
2 3/8"
OIL COOLER:
NO
REFERENCE:
OEM 1676009
VOL11
239210
437358S
800011



010

SOLDER ON
MT

WITHOUT FRAME

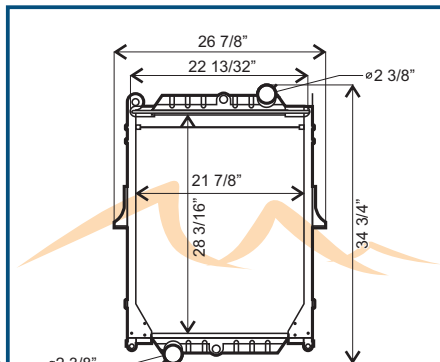
8120

VOLVO

CVTX-2

VLE F-180

CORE SIZE:
28 3/16" X 21 7/8"
INLET:
2 3/8"
OUTLET:
2 3/8"
OIL COOLER:
NO
REFERENCE:
OEM:VG8120



011 RELEASE: 02/07

SOLDER ON
MT

WITH FRAME

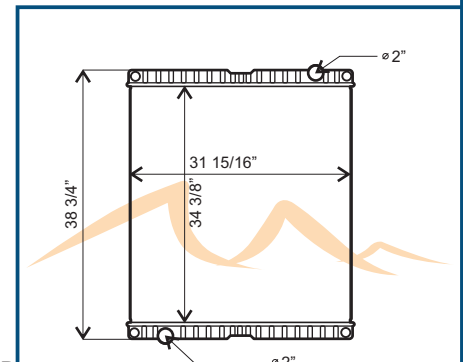
8140

VOLVO

CTVTU-3

FOREIGN BUS 9700 04-05

CORE SIZE:
34 3/8" X 31 15/16"
INLET:
2"
OUTLET:
2"
OIL COOLER:
NO
REFERENCE:
VOLVO D340
EURO3 425HP



012 RELEASE: 12/07

SOLDER ON
MT

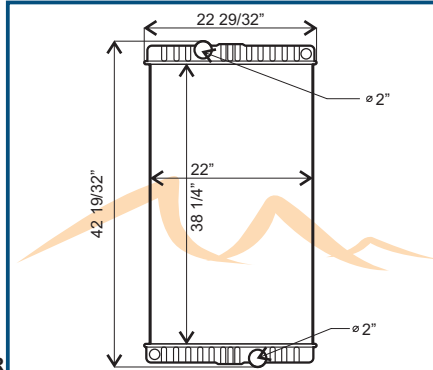
WITHOUT FRAME

8146

VOLVO

CTE-3RBRAN MICROBUS AUTOBUS 7300 MOT. HP 4700 06-07

CORE SIZE:
38 1/4" X 22"
INLET:
2"
OUTLET:
2"
OIL COOLER:
NO
REFERENCE:



SOLDER ON

MT

WITHOUT FRAME

013

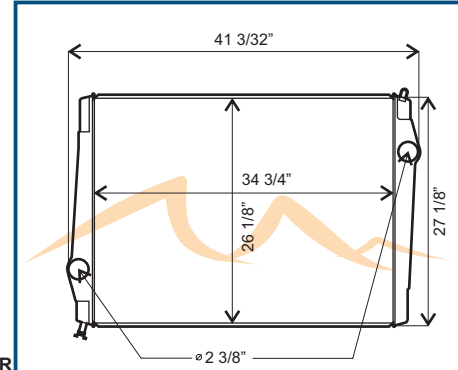
8170

VOLVO

CTVTM-3

NL-10/NL-12 96 & NEWERS

CORE SIZE:
34 3/4" X 26 1/8"
INLET:
2 3/8"
OUTLET:
2 3/8"
OIL COOLER:
NO
REFERENCE:
REA 42-10257



SOLDER ON

MT

WITHOUT FRAME

014

RELEASE: 01/08

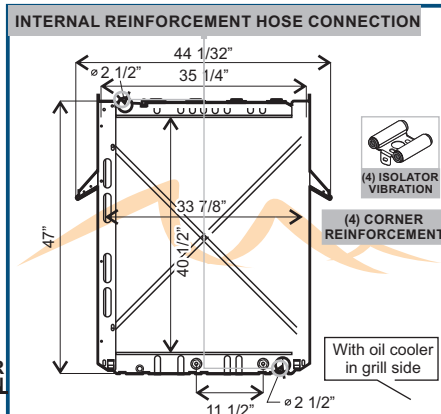
8172

VOLVO

CAVTM-3

VNL/VNM/VNL42/VNL64 08-17

CORE SIZE:
40 1/2" X 33 7/8"
INLET:
2 1/2"
OUTLET:
2 1/2"
OIL COOLER:
YES 1016491
REFERENCE:
NORTHERN 239128,
SPECTRA 2001-4608



SOLDER ON

AT

WITH FRAME

015

RELEASE: 04/08

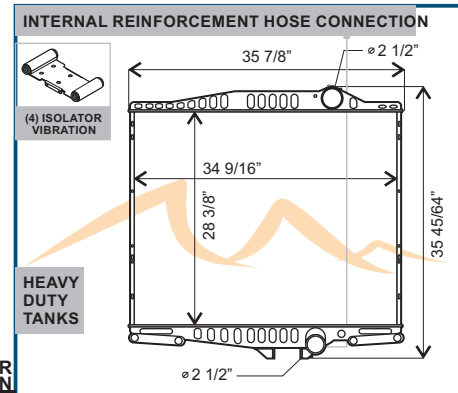
8202

VOLVO

CTVTU-3/CTVTM-3

AUTOBUS

CORE SIZE:
28 3/8" X 34 9/16"
INLET:
2 1/2"
OUTLET:
2 1/2"
OIL COOLER:
NO
REFERENCE:
VOL18
800018



SOLDER ON

MT

WITHOUT FRAME

016

RELEASE: 01/09

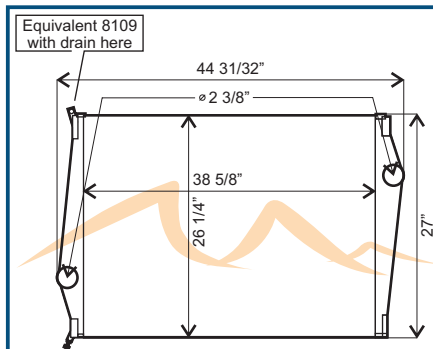
8217

VOLVO

CTVTU-3

WG SERIES 95-01

CORE SIZE:
38 5/8" X 26 1/4"
INLET:
2 3/8"
OUTLET:
2 3/8"
OIL COOLER:
NO
REFERENCE:
NORTHERN 239210,
REA42-10206



SOLDER ON

MT

WITHOUT FRAME

017

RELEASE: 04/09

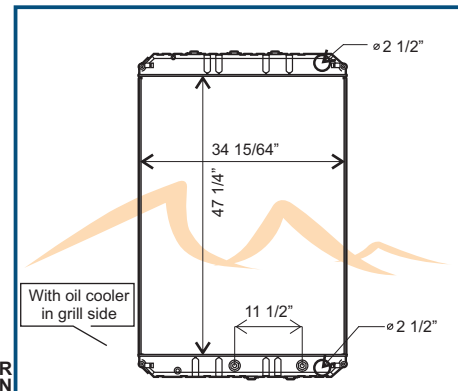
8235

VOLVO

CTAVTM-3/CVTM-3

TRUCK AK5753

CORE SIZE:
47 1/4" X 34 15/64"
INLET:
2 1/2"
OUTLET:
2 1/2"
OIL COOLER:
YES 1016491
REFERENCE:
Ak5735



SOLDER ON

AT

WITHOUT FRAME

018

RELEASE: 09/14

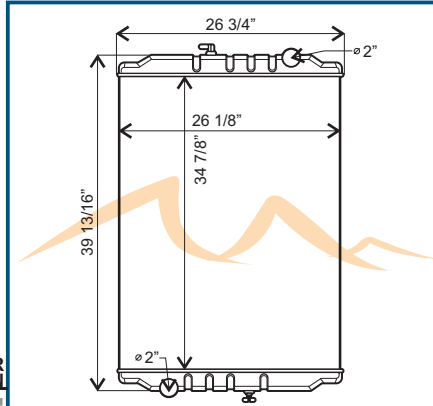
8293

VOLVO

CTVTX-3

SERIES W, M14 01-13

CORE SIZE:
34 7/8" X 26 1/8"
INLET:
2"
OUTLET:
2"
OIL COOLER:
NO
REFERENCE:
NORTHERN 239066,
OEM:559066



SOLDER ON

019 RELEASE: 07/10

MT

WITHOUT FRAME

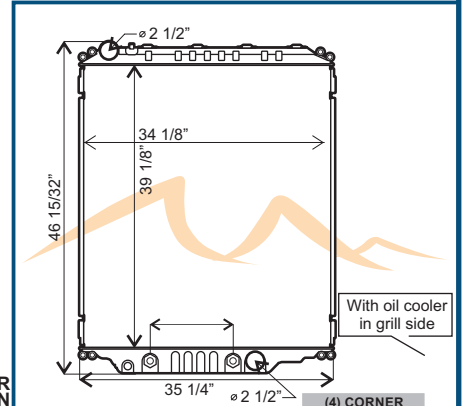
8353

MACK/VOLVO

CTVTU-4TTE

SHN SERIES 08-10

CORE SIZE:
39 1/8" X 34 1/8"
INLET:
2 1/2"
OUTLET:
2 1/2"
OIL COOLER:
YES 75-8353
REFERENCE:
ACTIVE 730018U
AKM5781
239182 NORTHERN
OEM 21095128



SOLDER ON

020 RELEASE: 02/12

WITHOUT FRAME

(4) CORNER REINFORCEMENT

With oil cooler in grill side

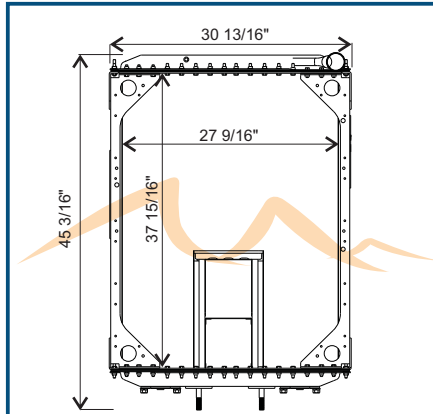
8530

VOLVO

CVTU-5

XPEDITOR

CORE SIZE:
37 15/16" X 27 9/16" X 3 1/8"
INLET:
2 1/4"
OUTLET:
FLCH (2)
OIL COOLER:
NO
REFERENCE:
92/08 DURALITE



021 RELEASE: 12/15



SCAN OUR QR CODE

NOTES

Radiators



PHAR

**WAW
WESTERN STAR
YALE**

2018

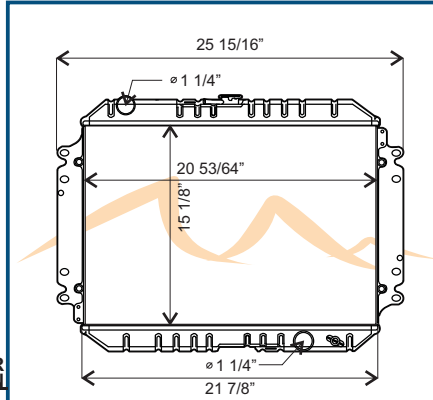
8257

WAW

CVTM-2

2007-2009

CORE SIZE:
15 1/8" X 20 53/64"
INLET:
1 1/4"
OUTLET:
1 1/4"
OIL COOLER:
NO
REFERENCE:
NATIONAL MARKET



SOLDER ON

001 RELEASE: 11/09

MT

WITH SIDE CHANNELS

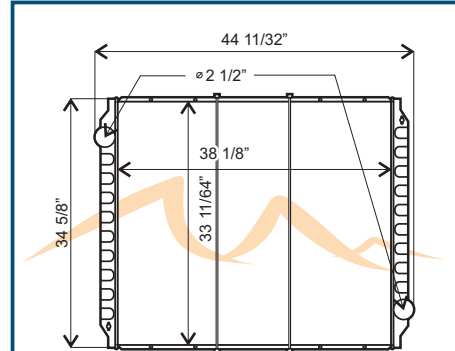
8200

CTVTM-3

CORE SIZE:
38 1/8" X 33 11/64"
INLET:
2 1/2"
OUTLET:
2 1/2"
OIL COOLER:
NO
REFERENCE:
WES13
800013
WS01

WESTERN STAR

MODEL 4964 EX LOWMAX 03-05



SOLDER ON

002 RELEASE: 03/09

MT

WITHOUT FRAME

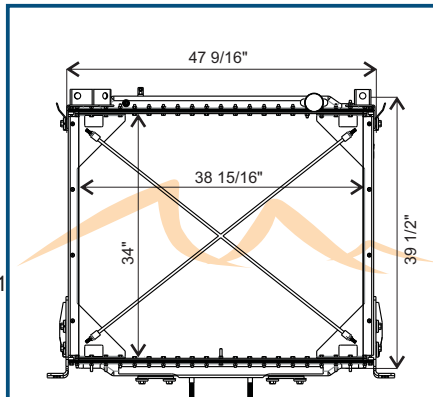
8473

WESTERN STAR

CVTU-4TT

4900 SERIES WA-WB MODELS 07-14

CORE SIZE:
34" X 38 15/16"
INLET:
2 1/2"
OUTLET:
FLCH
OIL COOLER:
NO
REFERENCE:
NORTHERN 238688,
Ws05, 800086,
OEM:1A19720, 052315001



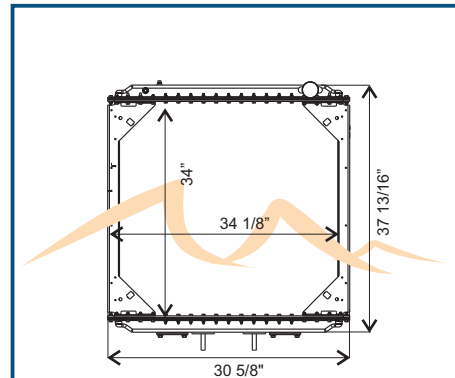
003 RELEASE: 07/14

8514

WESTERN STAR

CVTU-4/CVTU-4TT 95-02 4900 SERIES, 95-01 5900 & 69 SERIES

CORE SIZE:
34" X 34 1/8"
INLET:
2 1/2"
OUTLET:
FLCH
OIL COOLER:
NO
REFERENCE:
238600



004 RELEASE: 07/15

WITH FRAME

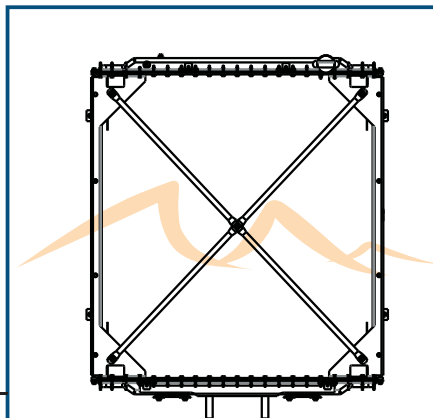
8541

WESTERN STAR

CVTU-4TT

MOTOR MERCEDES 12.8 L

CORE SIZE:
44 1/8" X 38 15/16" X 2 1/16"
INLET:
2 1/2"
OUTLET:
2 FLCH
OIL COOLER:
NO
REFERENCE:
4900FR



005

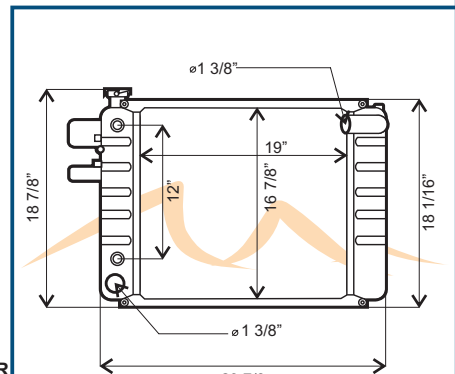
6021

YALE

CANC-4/CAVT-4

FORKLIFT MOTOR MAZDA

CORE SIZE:
19" X 16 7/8"
INLET:
1 3/8"
OUTLET:
1 3/8"
OIL COOLER:
YES 101151
REFERENCE:
4100-20
4100-21
246124



SOLDER ON

006

AT

WITH FRAME

With oil cooler in fan side

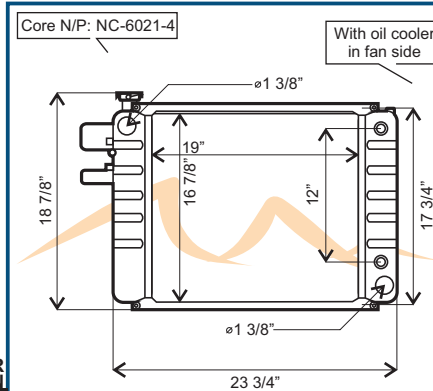
6108

YALE

CANC-4/CAVT-4

FORKLIFT GM ENGINE

CORE SIZE:
19" X 16 7/8"
INLET:
1 3/8"
OUTLET:
1 3/8"
OIL COOLER:
YES 101151
REFERENCE:
4100-18
246122
4100-19
246123



WITH FRAME

007

AT

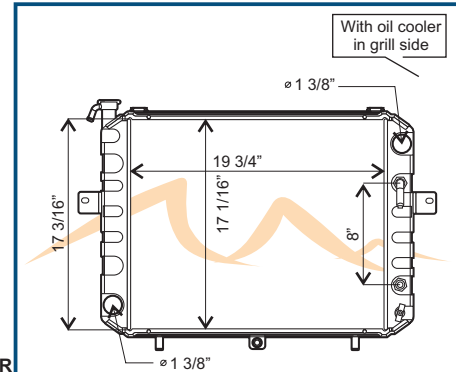
8228

HYSTER/YALE

CAVT-4

FORKLIFT

CORE SIZE:
19 3/4" X 17 1/16"
INLET:
1 3/8"
OUTLET:
1 3/8"
OIL COOLER:
YES 758228
REFERENCE:
WORKS 4196



WITH SIDE CHANNELS

008

RELEASE:
10/09

AT

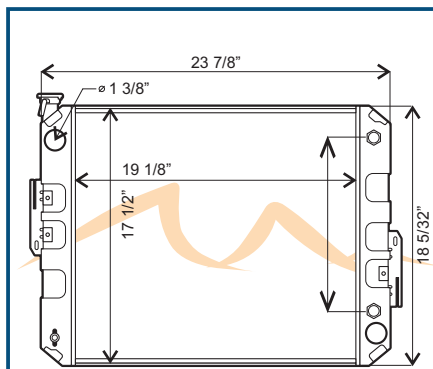
8243

HYSTER/YALE

CATA-4

FORKLIFT H45-65XM (DIESEL)

CORE SIZE:
19 1/8" X 17 1/2"
INLET:
1 3/8"
OUTLET:
1 3/8"
OIL COOLER:
YES 6 PLATES (101151)
REFERENCE:
246299 NORTHERN



WITH SIDE CHANNELS

009

RELEASE:
09/11

SOLDER
ON

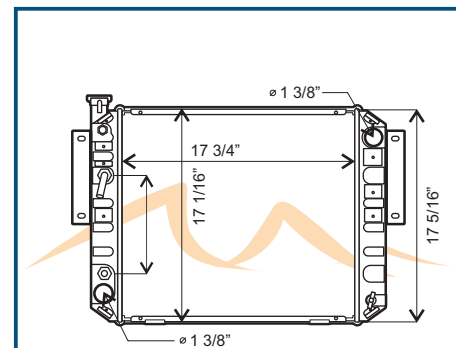
8311

HYSTER/YALE

CAVTU-3

H25-35XM. 560ES/504XMS

CORE SIZE:
17 3/4" X 17 1/16"
INLET:
1 3/8"
OUTLET:
1 3/8"
OIL COOLER:
YES 758311
REFERENCE:
246086



WITH SIDE CHANNELS

010

RELEASE:
09/10

SOLDER
ON

AT

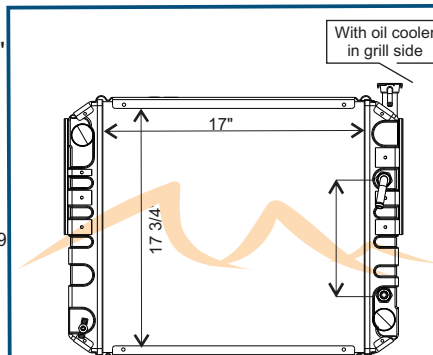
8531

HYSTER/YALE

CABE-4TT

LIFT TRUCK & FORKLIFT

CORE SIZE:
17 3/4" X 17" X 2 1/16"
INLET:
1 1/2"
OUTLET:
1 1/2"
OIL COOLER:
YES 758311
REFERENCE:
NORTHERN 246213, 1329169



011

RELEASE:
03/16

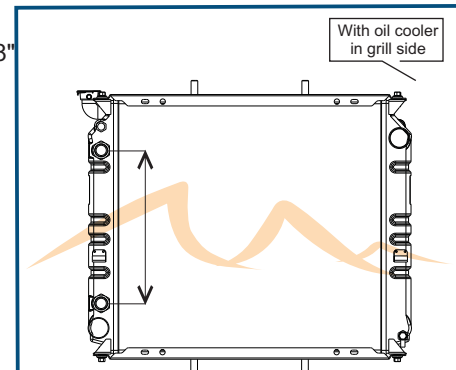
8560

YALE

CATC-3

LIFT TRUCKS

CORE SIZE:
18 5/8" X 17 1/2" X 2 1/8"
INLET:
1 3/8"
OUTLET:
1 3/8"
OIL COOLER:
YES 133150
REFERENCE:
246268 NORTHERN



012

RELEASE:
01/17

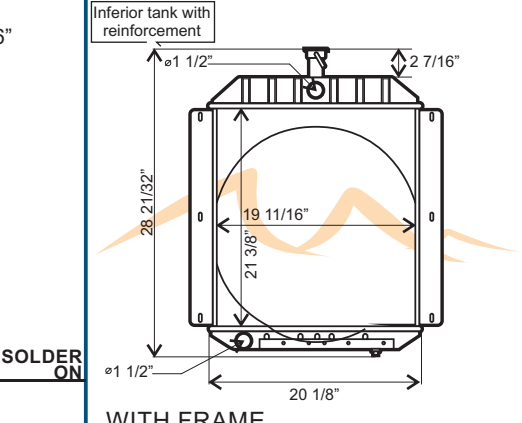
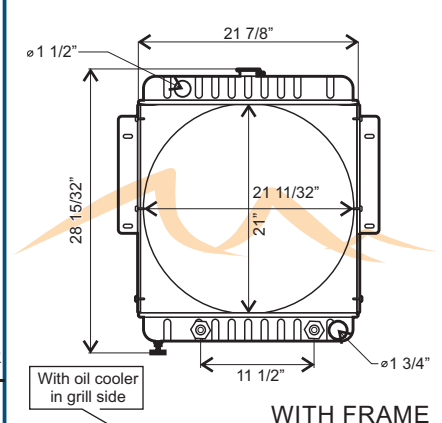
SOLDER
ON

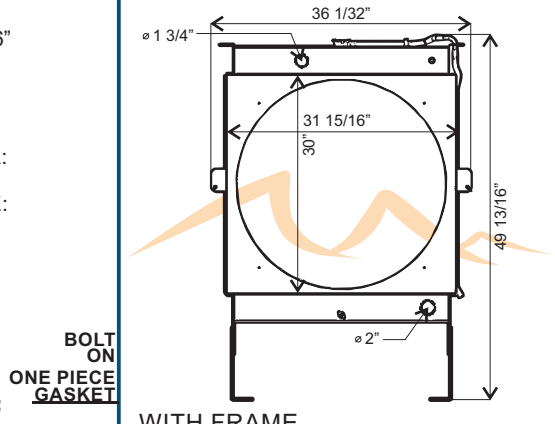
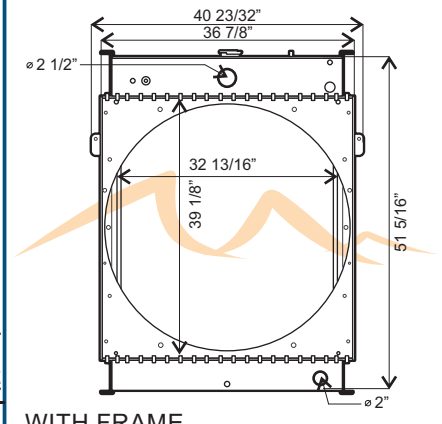
Radiators

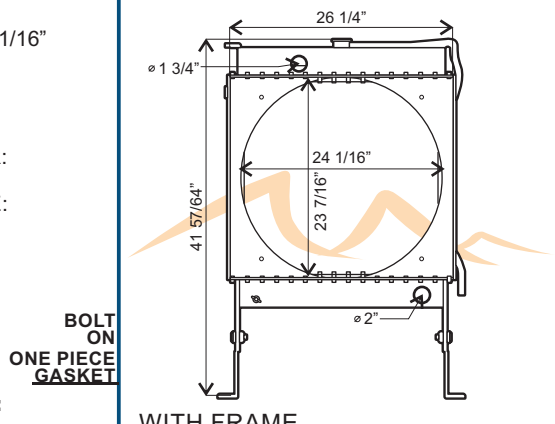
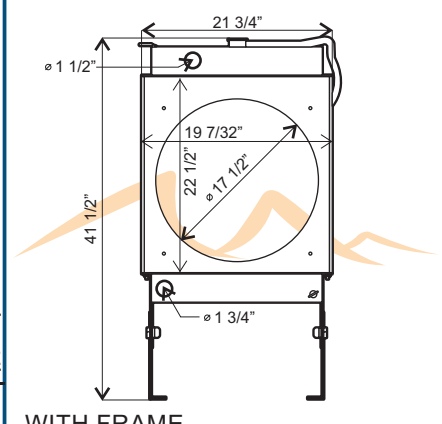
PHAIR

INDUSTRIAL

2018

<h3>1406</h3> <p>INDUSTRIAL</p> <p>CVTU-2/CVT-3</p> <p>LINCOLN WEDLER</p> <p>CORE SIZE: 21 3/8" X 19 11/16" INLET: 1 1/2" OUTLET: 1 1/2" OIL COOLER: NO REFERENCE: G10877198</p>  <p>WITH FRAME</p>	<h3>8098</h3> <p>INDUSTRIAL</p> <p>CAVT-4</p> <p>CLARK AIRPORT CAR</p> <p>CORE SIZE: 21" X 21 11/32" INLET: 1 1/2" OUTLET: 1 3/4" OIL COOLER: YES REFERENCE: MT</p>  <p>WITH FRAME</p>
--	---

<h3>8118</h3> <p>INDUSTRIAL</p> <p>CVTU-3</p> <p>POWER UNIT</p> <p>CORE SIZE: 30" X 31 15/16" INLET: 1 3/4" OUTLET: 2" OIL COOLER: NO REFERENCE: JD-07-4</p>  <p>WITH FRAME</p>	<h3>8119</h3> <p>INDUSTRIAL</p> <p>CVTU-3</p> <p>POWER UNIT</p> <p>CORE SIZE: 39 1/8" X 32 13/16" INLET: 2 1/2" OUTLET: 2" OIL COOLER: NO REFERENCE: JD-09-4</p>  <p>WITH FRAME</p>
--	---

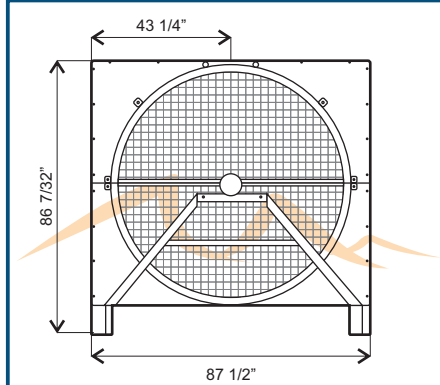
<h3>8129</h3> <p>INDUSTRIAL</p> <p>CVTU-3</p> <p>POWER UNIT</p> <p>CORE SIZE: 23 7/16" X 24 1/16" INLET: 1 3/4" OUTLET: 2" OIL COOLER: NO REFERENCE: JD-04-4</p>  <p>WITH FRAME</p>	<h3>8130</h3> <p>INDUSTRIAL</p> <p>CVT-2</p> <p>POWER UNIT</p> <p>CORE SIZE: 22 1/2" X 19 7/32" INLET: 1 3/4" OUTLET: 1 3/4" OIL COOLER: NO REFERENCE: JD-02-3</p>  <p>WITH FRAME</p>
--	---

8154

INDUSTRIAL

ACCESORIES BASE FOR MOTOR AND FAN

ACCESORIES FOR:
P/N 8094 RADIATOR



007 RELEASE:
10/07

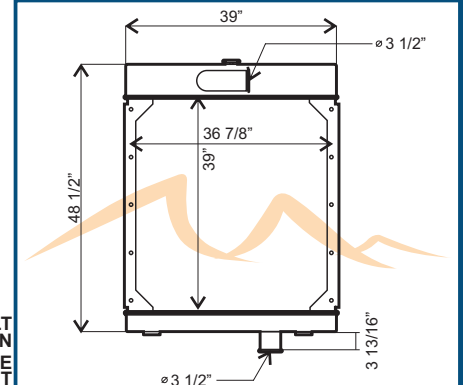
8155

INDUSTRIAL

CNC-8

ENERGY PLANT

CORE SIZE:
39" X 36 7/8"
INLET:
3 1/2"
OUTLET:
3 1/2"
OIL COOLER:
NO
REFERENCE:
W 3712



BOLT
ON
ONE PIECE
GASKET

008 RELEASE:
10/07

WITH FRAME

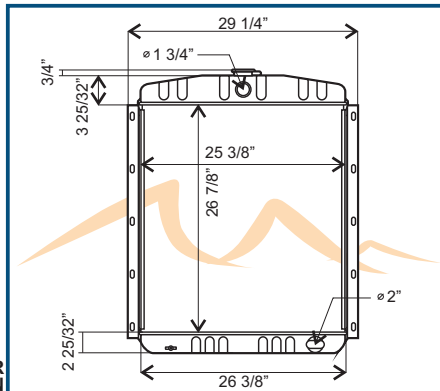
8162

INDUSTRIAL

CTE-4/CTE-5

POWER UNIT GMC

CORE SIZE:
28 7/8" X 25 3/8"
INLET:
1 3/4"
OUTLET:
2"
OIL COOLER:
NO
REFERENCE:
450027 (2 13/16")
450028 (3 1/2")



SOLDER
ON

009 RELEASE:
05/08

MT

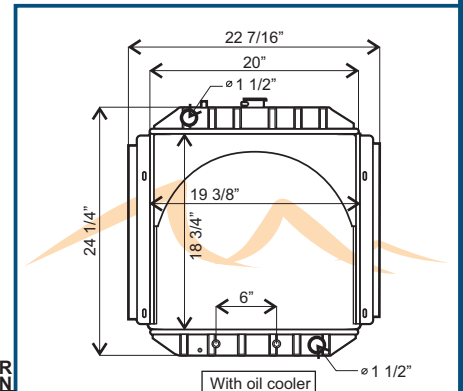
WITH SIDE CHANNELS

8190

INDUSTRIAL

CAIE-4 TRANSPORTING BAND OF LUGGAGE (AIRPORT)

CORE SIZE:
18 3/4" X 19 3/8"
INLET:
1 1/2"
OUTLET:
1 1/2"
OIL COOLER:
YES 756334
REFERENCE:



SOLDER
ON

010 RELEASE:
07/08

WITH FRAME

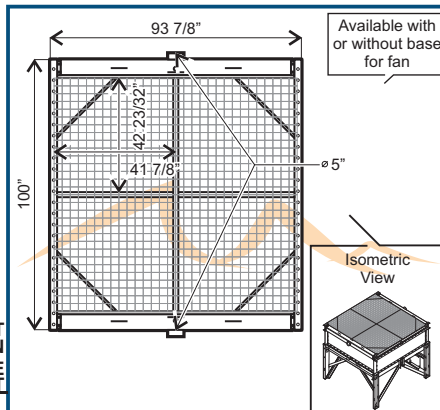
8218

INDUSTRIAL

CCSNC-8

POWER UNIT H-50

CORE SIZE:
42 23/32" X 41 7/8"
INLET:
5"
OUTLET:
5"
OIL COOLER:
NO
REFERENCE:
H50 BGR



Available with
or without base
for fan

Isometric
View

BOLT
ON
ONE PIECE
GASKET

011 RELEASE:
05/09

WITH FRAME

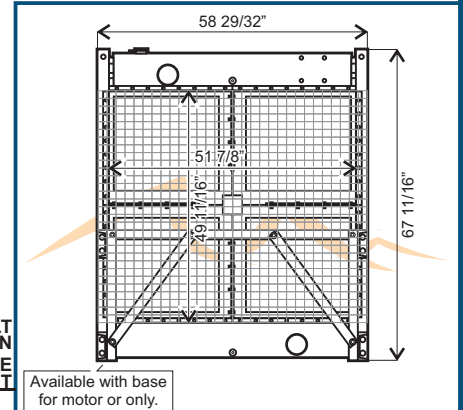
8221

INDUSTRIAL

CCSNC-8

V17 POWER UNIT

CORE SIZE:
49 11/16" X 51 7/8"
INLET:
NPT 4"
OULET:
NPT 4"
OIL COOLER:
NO
REFERENCE:



BOLT
ON
ONE PIECE
GASKET

012 RELEASE:
07/09

Available with base
for motor or only.

WITH FRAME

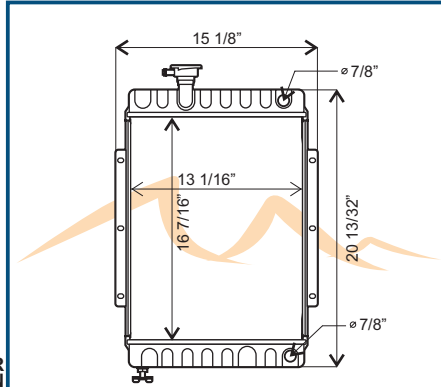
8230

INDUSTRIAL

CVTM-2

COMPRESSOR

CORE SIZE:
16 7/16" X 13 1/16"
INLET:
7/8"
OUTLET:
7/8"
OIL COOLER:
NO
REFERENCE:
RP5-028



SOLDER ON

013 RELEASE: 08/09

AT

WITH SIDE CHANNELS

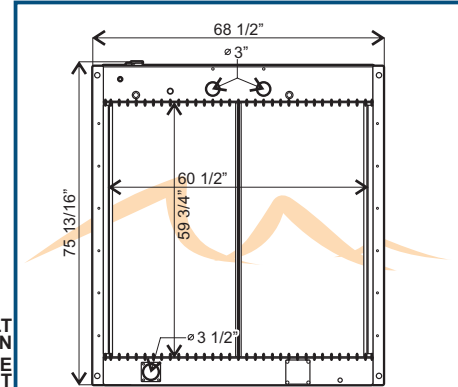
8277

INDUSTRIAL

CTE-8

POWER UNIT

CORE SIZE:
59 3/4" X 60 1/2"
INLET:
3" (2)
OUTLET:
3 1/2"
OIL COOLER:
NO
REFERENCE:



BOLT ON
ONE PIECE GASKET

014 RELEASE: 02/10

WITH FRAME

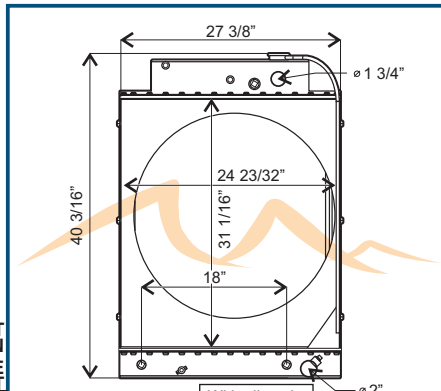
8290

INDUSTRIAL

CAVTM-4

RW-12937

CORE SIZE:
31 1/16" X 24 23/32"
INLET:
1 3/4"
OUTLET:
2"
OIL COOLER:
YES 1018173
REFERENCE:
X9903
CAPACITY #137200



BOLT ON
ONE PIECE GASKET

015 RELEASE: 05/10

WITH FRAME

With oil cooler in grill side

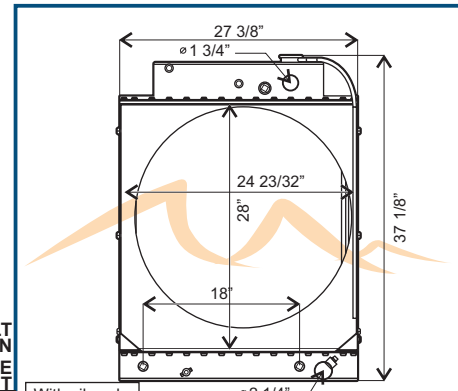
8291

INDUSTRIAL

CAVTM-3

RW-12938

CORE SIZE:
28" X 24 23/32"
INLET:
1 3/4"
OUTLET:
2 1/4"
OIL COOLER:
YES 1018173
REFERENCE:
X9902
CAPACITY #128761



BOLT ON
ONE PIECE GASKET

016 RELEASE: 05/10

WITH FRAME

With oil cooler in grill side

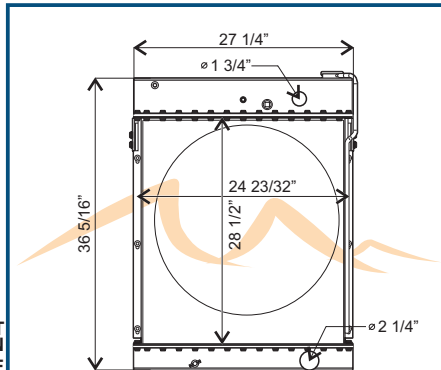
8292

INDUSTRIAL

CVTU-3

RW-12939

CORE SIZE:
28 1/2" X 24 23/32"
INLET:
1 3/4"
OUTLET:
1 1/2"
OIL COOLER:
NO
REFERENCE:
X9901
CAPACITY #132069



BOLT ON
ONE PIECE GASKET

017 RELEASE: 05/10

WITH FRAME

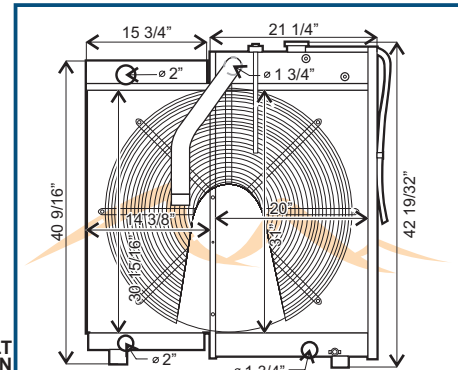
8302

INDUSTRIAL

CIE-5

POWER UNIT

CORE SIZE:
31" X 20"
INLET:
1 3/4"
OUTLET:
1 3/4"
OIL COOLER:
30 15/16" X 14 3/8" X 2 3/8"
REFERENCE:
P/N 3100110
SERIAL N° H 111237



BOLT ON
ONE PIECE GASKET

018 RELEASE: 02/11

AVAILABLE WITH FRAME

Available with post oil cooler or only radiator

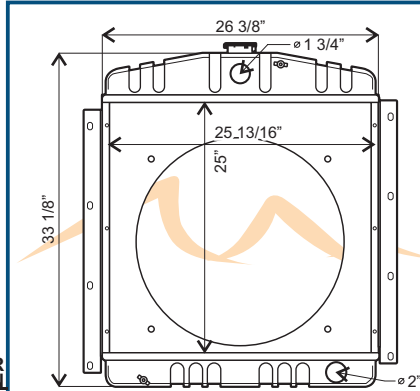
8304

INDUSTRIAL

CTA-5

GM POWER UNIT

CORE SIZE:
25" X 25 13/16"
INLET:
1 3/4"
OUTLET:
2"
OIL COOLER:
NO
REFERENCE:
437909



SOLDER ON

019 RELEASE: 07/10

WITH FRAME

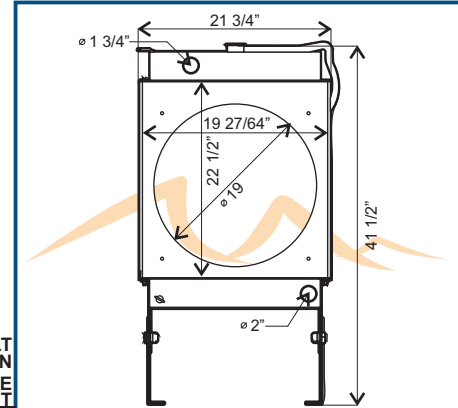
8324

INDUSTRIAL

CTVTM-3

POWER UNIT

CORE SIZE:
22 1/2" X 19 27/64"
INLET:
1 3/4"
OUTLET:
2"
OIL COOLER:
NO
REFERENCE:
JD-03-3



BOLT ON ONE PIECE GASKET

020 RELEASE: 10/10

WITH FRAME

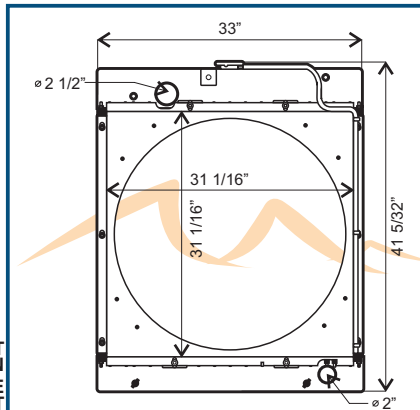
8326

INDUSTRIAL

CME-5

POWER UNIT

CORE SIZE:
31 1/16" X 31 1/16"
INLET:
2 1/2"
OUTLET:
2"
OIL COOLER:
NO
REFERENCE:
P/N DR3045
SERIAL 498299



BOLT ON ONE PIECE GASKET

021 RELEASE: 02/11

AVAILABLE WITH FRAME

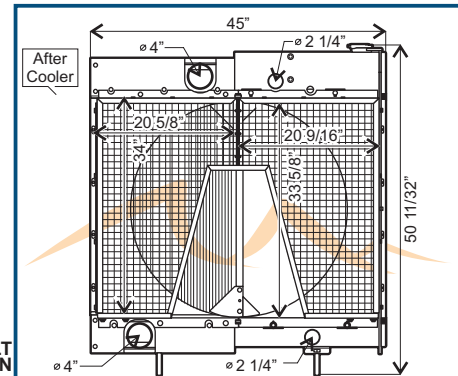
8332

INDUSTRIAL

CME-5

GENERATOR 250 KW

CORE SIZE:
33 5/8" X 20 9/16"
INLET:
2 1/4"
OUTLET:
2 1/4"
OIL COOLER:
NO
REFERENCE:



BOLT ON ONE PIECE GASKET

022 RELEASE: 05/11

WITH FRAME

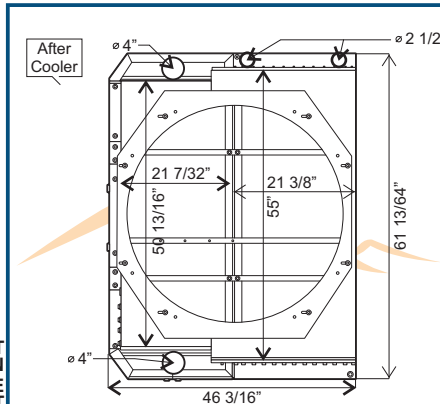
8336

INDUSTRIAL

COC-6

COMPRESSOR ATLAS COPCO (S.L.P.)

CORE SIZE:
55" X 21 3/8"
INLET:
2 1/2"
OUTLET:
2 1/2"
OIL COOLER:
NO
REFERENCE:



BOLT ON ONE PIECE GASKET

023 RELEASE: 05/11

WITH FRAME

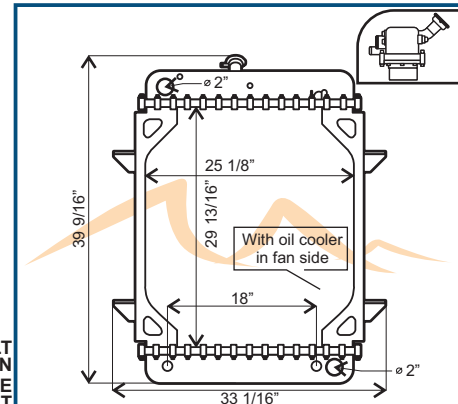
8361

INDUSTRIAL

CAVT-4TT

BUS

CORE SIZE:
29 13/16" X 25 1/8"
INLET:
2"
OUTLET:
2"
OIL COOLER:
YES E1018173
REFERENCE:
62192058
IA19125



BOLT ON ONE PIECE GASKET

024 RELEASE: 09/12

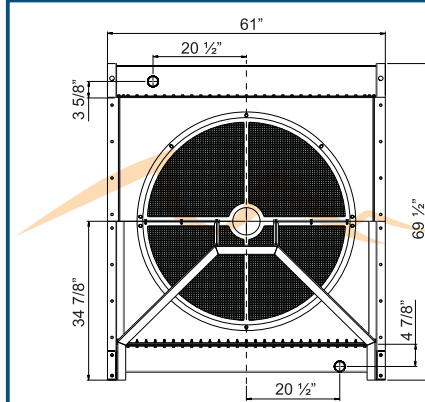
WITH FRAME

8389

INDUSTRIAL

CIE-5

CORE SIZE:
53 7/8" X 53 3/4" X 2 7/8"
INLET:
2"
OUTLET:
2"
OIL COOLER:
NO
REFERENCE:
31040 BGR



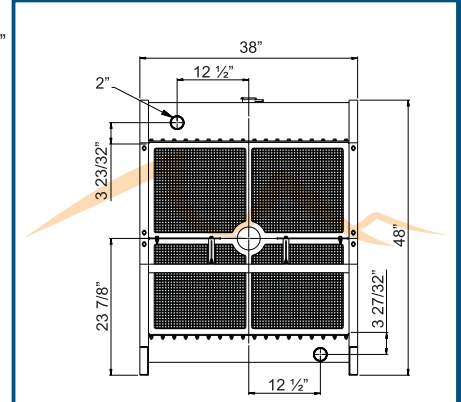
025 RELEASE:
04/12

8390

INDUSTRIAL

CIE-4

CORE SIZE:
32 7/8" X 33 1/8" X 2 11/32"
INLET:
2"
OUTLET:
2"
OIL COOLER:
NO
REFERENCE:
31134 BGR



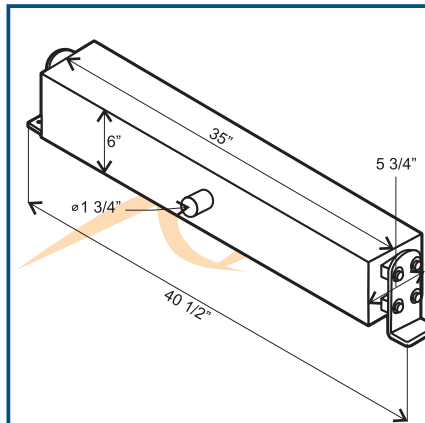
026 RELEASE:
04/12

8399

INDUSTRIAL

SURGE TANK

SIZE:
35" X 6" X 5 3/4"
INLET:
1 3/4"
OUTLET:
1 3/4"
OIL COOLER:
NO
REFERENCE:



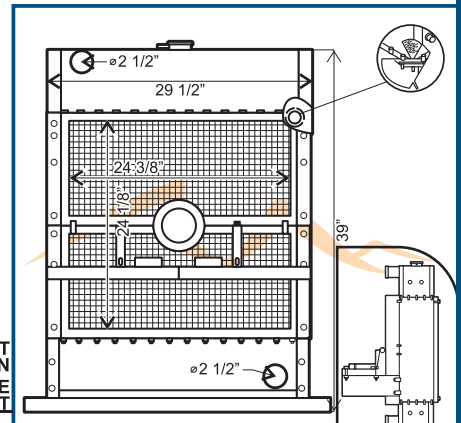
027 RELEASE:
09/12

8400

INDUSTRIAL

CIE-5

CORE SIZE:
34" X 30 5/8"
INLET:
2 1/2"
OUTLET:
2 1/2"
OIL COOLER:
NO
REFERENCE:



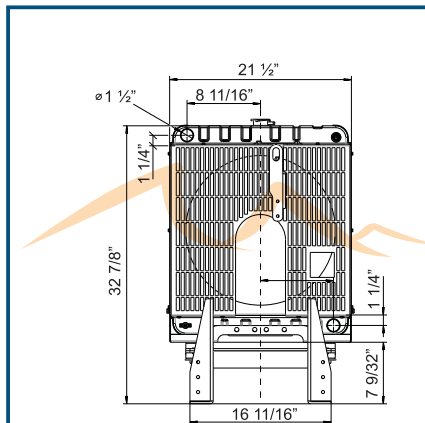
028 RELEASE:
09/12

8403

INDUSTRIAL

CVTU-4TT

CORE SIZE:
20" X 19 1/4" X 2 1/16"
INLET:
1 1/2"
OUTLET:
1 1/2"
OIL COOLER:
NO
REFERENCE:
79000369



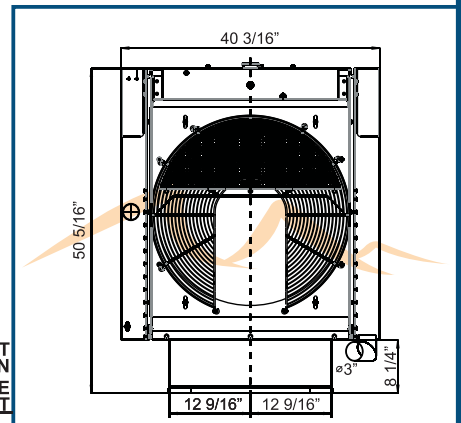
029 RELEASE:
02/13

8405

INDUSTRIAL

TE-6

CORE SIZE:
31 13/16" X 21 7/16"
INLET:
2 1/2"
OUTLET:
3"
OIL COOLER:
NO
REFERENCE:



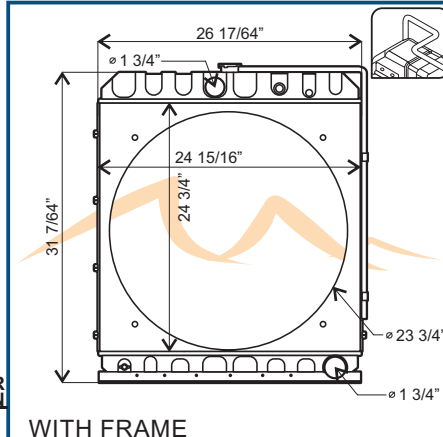
030 RELEASE:
05/13

8406

INDUSTRIAL

CVTU-4TT

CORE SIZE:
24 3/4" X 24 15/16"
INLET:
1 3/4"
OUTLET:
1 3/4"
OIL COOLER:
REFERENCE:
RS-7270



WITH FRAME

031 RELEASE: 01/13

SOLDER ON

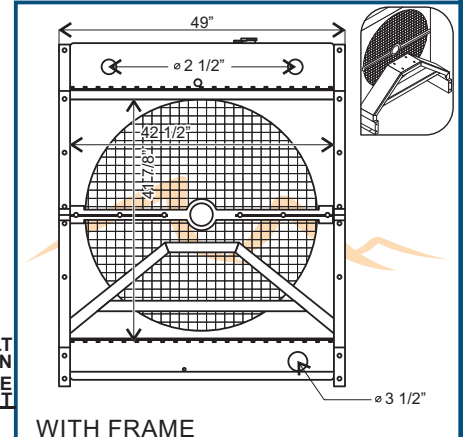
8407

INDUSTRIAL

CIE-7

BGR 9172012A (V12)

CORE SIZE:
42 1/2" X 41 7/8"
INLET:
2 1/2" (2)
OUTLET:
3 1/2"
OIL COOLER:
REFERENCE:



WITH FRAME

032 RELEASE: 01/13

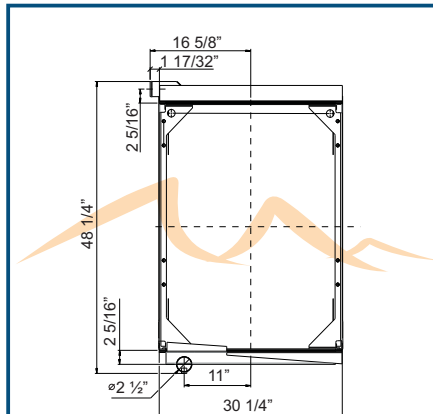
BOLT ON ONE PIECE GASKET

8414

INDUSTRIAL

CME-4

CORE SIZE:
40 3/4" X 28" X 2 3/4"
INLET:
2 1/2"
OUTLET:
2 1/2"
OIL COOLER:
NO
REFERENCE:



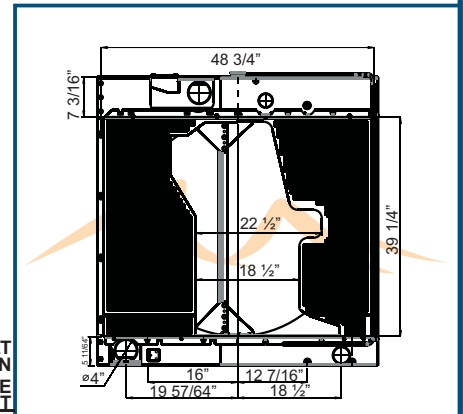
033 RELEASE: 01/13

8417

INDUSTRIAL

IE-6

CORE SIZE:
39 1/4" X 26 1/4"
INLET:
2 1/2"
OUTLET:
3"
OIL COOLER:
NO
REFERENCE:
BARNES 31100113



034 RELEASE: 05/13

BOLT ON ONE PIECE GASKET

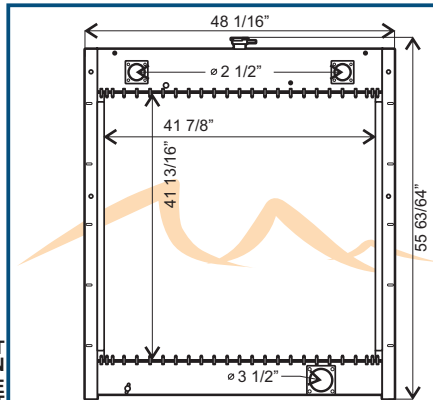
8418

INDUSTRIAL

CIE-6

BGR 32143

CORE SIZE:
41 13/16" X 41 7/8"
INLET:
FLANGE (2)
OUTLET:
FLANGE
OIL COOLER:
REFERENCE:



WITH FRAME

035 RELEASE: 01/13

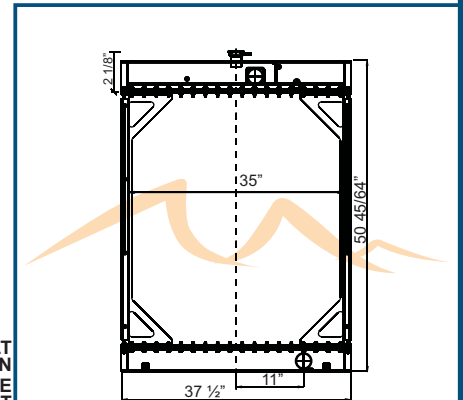
BOLT ON ONE PIECE GASKET

8431

INDUSTRIAL

IE-5

CORE SIZE:
41 1/2" X 35"
INLET:
2 1/2"
OUTLET:
2 1/2"
OIL COOLER:
NO
REFERENCE:
RON-32779 B.G.R.



WITH FRAME

036 RELEASE: 05/13

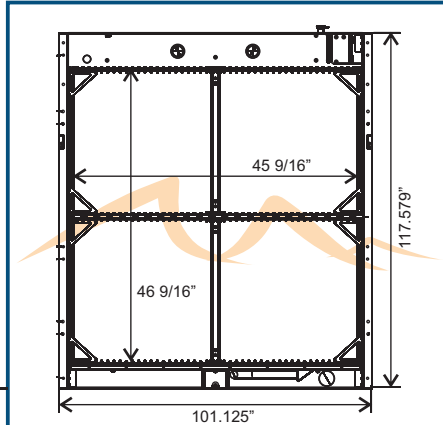
BOLT ON ONE PIECE GASKET

8434

INDUSTRIAL

GENERATING ELECTRICAL PLANT

CORE SIZE:
46 9/16" X 45 9/16"
INLET:
(2) 3 1/2", (1) 2 1/2"
OUTLET:
(1) 5", (1) 2 1/2"
OIL COOLER:
NO
REFERENCE:



037 RELEASE:
08/13

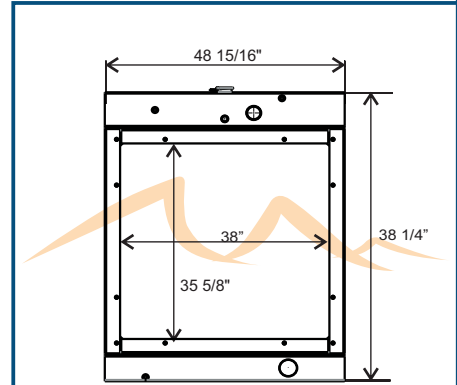
8453

INDUSTRIAL

V12

CRE-6

CORE SIZE:
38" X 35 5/8"
INLET:
2 1/4"
OUTLET:
2 3/4"
OIL COOLER:
NO
REFERENCE:
BGR 33714



038 RELEASE:
04/14

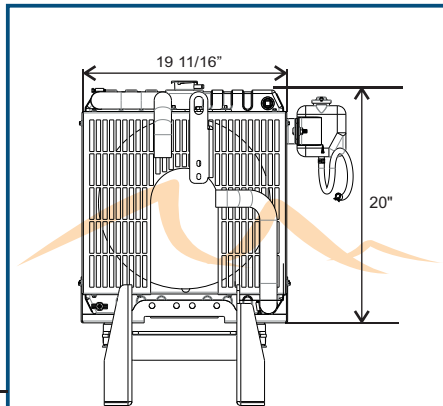
8458

INDUSTRIAL

CVT-4TT

POWER UNIT

CORE SIZE:
15" X 15 15/16"
INLET:
2 1/8"
OUTLET:
2 1/8"
OIL COOLER:
NO
REFERENCE:
Kr2 3XNV88
BARNES



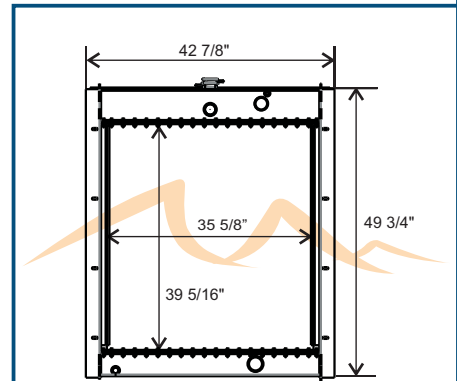
039 RELEASE:
03/14

8476

INDUSTRIAL

CIE-7

CORE SIZE:
39 5/16" X 35 5/8"
INLET:
2 1/4"
OUTLET:
2 1/2"
OIL COOLER:
NO
REFERENCE:
BGR

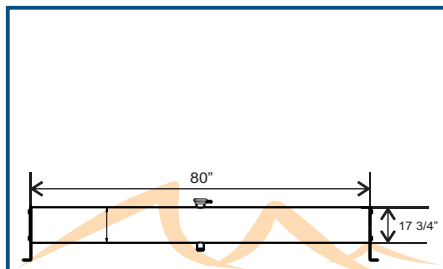


040 RELEASE:
04/14

8477

INDUSTRIAL

CORE SIZE:
80" X 17 3/4"
INLET:
1 1/2"
OUTLET:
OIL COOLER:
NO
REFERENCE:
BGR



041 RELEASE:
04/14

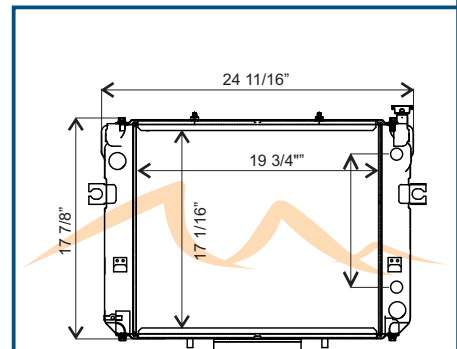
8478

INDUSTRIAL

LIFT TRUCK

CATE-3

CORE SIZE:
19 3/4" X 17 1/16"
INLET:
1 3/8"
OUTLET:
1 3/8"
OIL COOLER:
YES 113150
REFERENCE:
246075



With oil cooler
in fan side

042 RELEASE:
06/14

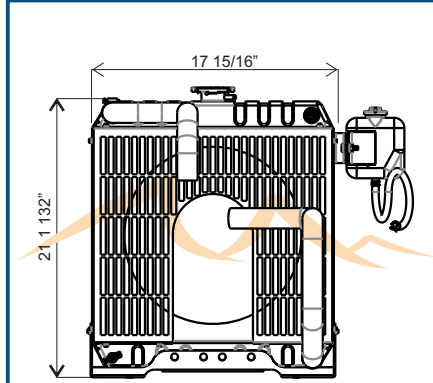
8489

INDUSTRIAL

CVT-4TT

KR-7

CORE SIZE:
15" X 15/16"
INLET:
1 1/8"
OUTLET:
1 1/8"
OIL COOLER:
NO
REFERENCE:
31100035



043 RELEASE:
06/14

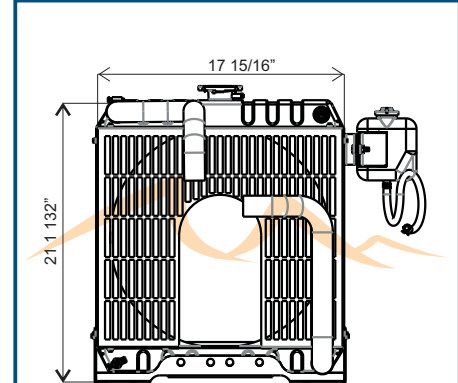
8491

INDUSTRIAL

CVTU-4TT

KR-3

CORE SIZE:
15" X 16 3/16"
INLET:
1 1/8"
OUTLET:
1 1/8"
OIL COOLER:
NO
REFERENCE:
31100038



044 RELEASE:
06/14

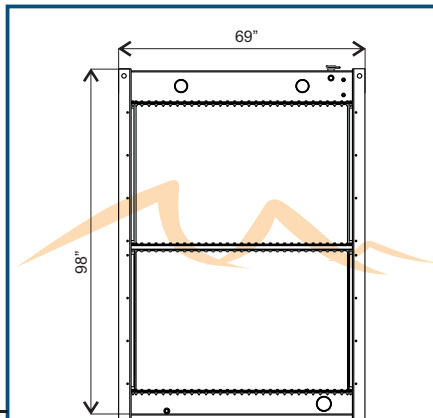
8493

INDUSTRIAL

CIE-8

33961

CORE SIZE:
39 1/2" X 60"
INLET:
3 1/2"
OUTLET:
4"
OIL COOLER:
NO
REFERENCE:
33961



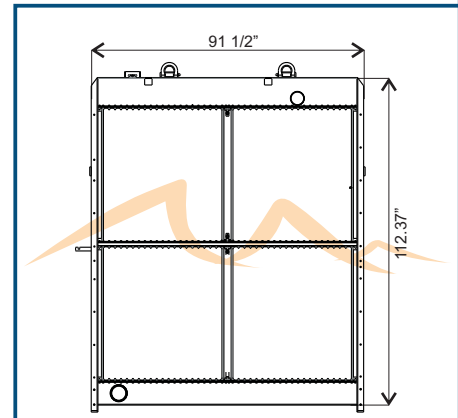
045 RELEASE:
07/14

8494

INDUSTRIAL

CTE-6

CORE SIZE:
45 1/8" X 40 11/16"
INLET:
4 1/2"
OUTLET:
5 9/16"
OIL COOLER:
NO
REFERENCE:
34223



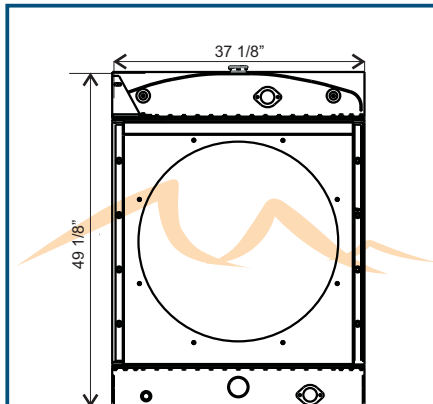
046 RELEASE:
07/14

8495

INDUSTRIAL

CXC-6

CORE SIZE:
36" X 32 1/2"
INLET:
FLCH
OUTLET:
FLCH
OIL COOLER:
NO
REFERENCE:
33990



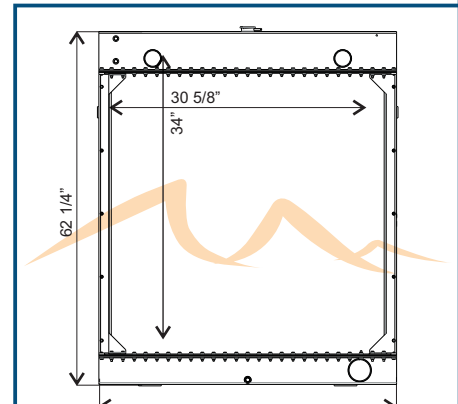
047 RELEASE:
07/14

8498

INDUSTRIAL

CIC-7

CORE SIZE:
49 7/8" X 48 3/4"
INLET:
(2) 3"
OUTLET:
4"
OIL COOLER:
NO
REFERENCE:
34238



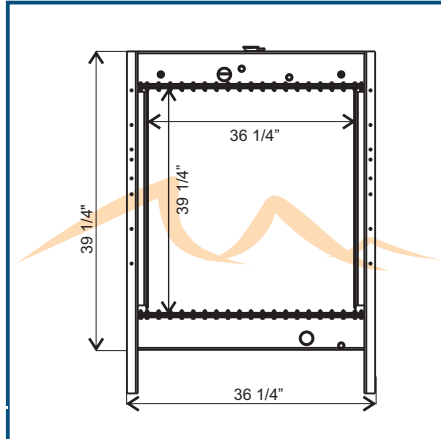
048 RELEASE:
07/14

8506

INDUSTRIAL

CIE-6

CORE SIZE:
39 1/4" X 36 1/4"
INLET:
2 1/4"
OUTLET:
2 1/4"
OIL COOLER:
NO
REFERENCE:



049 **RELEASE:**
10/14

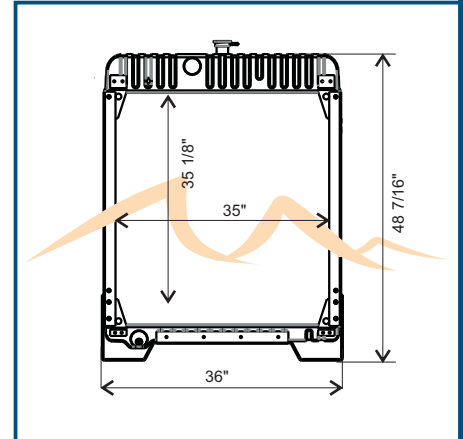
8516

INDUSTRIAL

CIE-5

POWER UNIT

CORE SIZE:
35 1/8" X 35"
INLET:
2 1/2"
OUTLET:
2 1/2"
OIL COOLER:
NO
REFERENCE:



050 **RELEASE:**
04/15

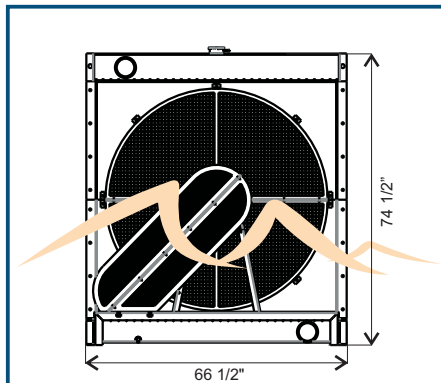
8517

INDUSTRIAL

CIE-6

V 25 BD

CORE SIZE:
60" X 60"
INLET:
5"
OUTLET:
5"
OIL COOLER:
NO
REFERENCE:



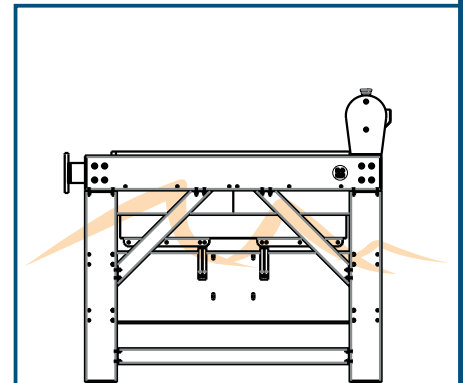
051 **RELEASE:**
04/15

8520

INDUSTRIAL

CIE-4

CORE SIZE:
60" X 58 3/4" X 2 11/32"
INLET:
4 1/2" NPT
OUTLET:
4 1/2" NPT
OIL COOLER:
NO
REFERENCE:
35542 BGR



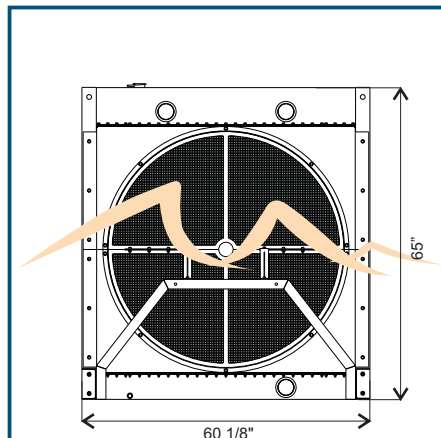
052 **RELEASE:**
06/15

8522

INDUSTRIAL

CNC-8

CORE SIZE:
51" X 50 5/8" X 4 1/8"
INLET:
3" NPT thread
OUTLET:
3" NPT thread
OIL COOLER:
NO
REFERENCE:
BGR V18



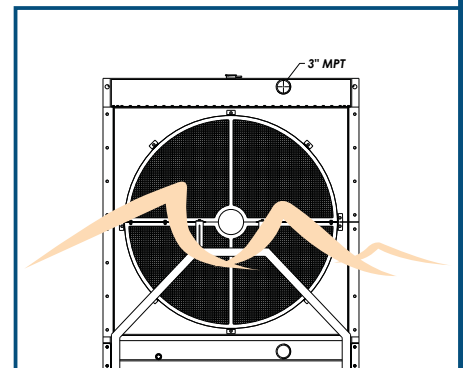
053 **RELEASE:**
10/15

8523

INDUSTRIAL

CIC-5

CORE SIZE:
53 7/8" X 53 3/4"
INLET:
3" MPT thread
OUTLET:
3" MPT thread
OIL COOLER:
NO
REFERENCE:
V20 DD



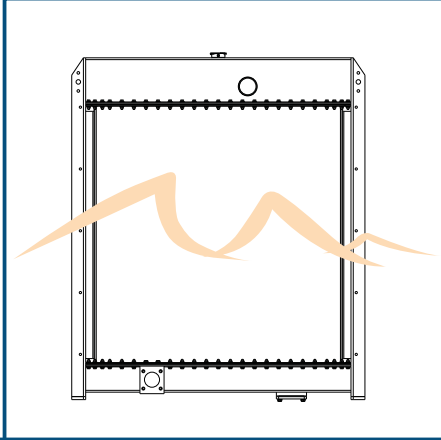
054 **RELEASE:**
07/15

8526

INDUSTRIAL

CYE-6

CORE SIZE:
42 7/8" X 41 1/8" X 4 7/16"
INLET:
3"
OUTLET:
FLCH
OIL COOLER:
NO
REFERENCE:
4L3779



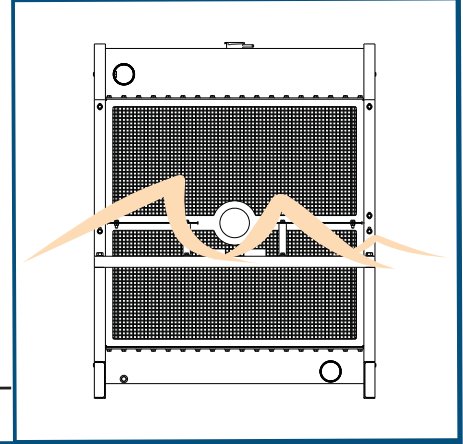
055 RELEASE:
10/15

8532

INDUSTRIAL

CIE-8

CORE SIZE:
33" X 32 1/2" X 4 1/8"
INLET:
2 1/2"
OUTLET:
2 1/2"
OIL COOLER:
NO
REFERENCE:
Vo7 7.5 HP 300 HP VGR



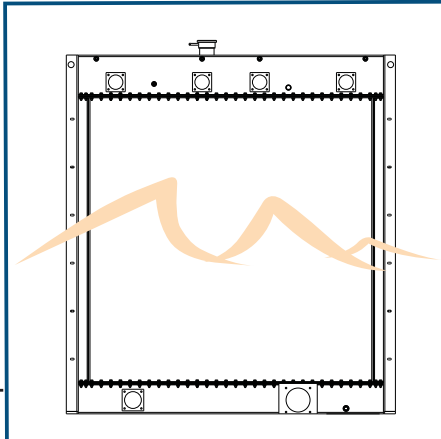
056 RELEASE:
02/16

8533

INDUSTRIAL

CIE-6

CORE SIZE:
59 1/2" X 59 3/8" X 3 7/16"
INLET:
4 FLCH
OUTLET:
2 FLCH
OIL COOLER:
NO
REFERENCE:
BT-0005-GR BGR



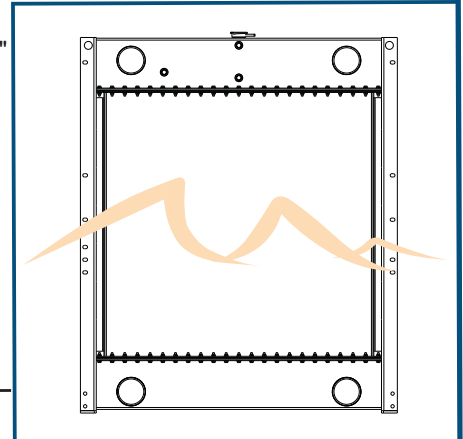
057 RELEASE:
02-16

8534

INDUSTRIAL

CIE-6

CORE SIZE:
42" X 42 1/2" X 3 7/16"
INLET:
4" MPT
OUTLET:
4" MPT
OIL COOLER:
NO
REFERENCE:
BT-0043-65 BGR



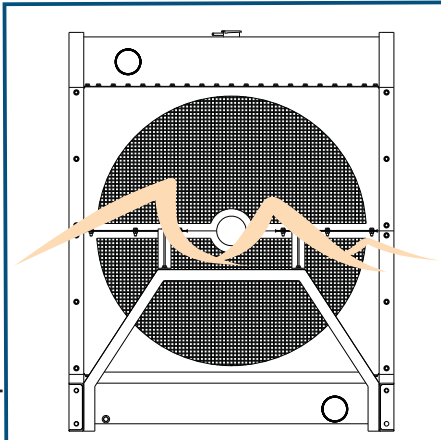
058 RELEASE:
02/16

8537

INDUSTRIAL

CIE-5

CORE SIZE:
38" X 38 1/8" X 2 7/8"
INLET:
3"
OUTLET:
3"
OIL COOLER:
NO
REFERENCE:
5 HP 75HP 10HP BGR



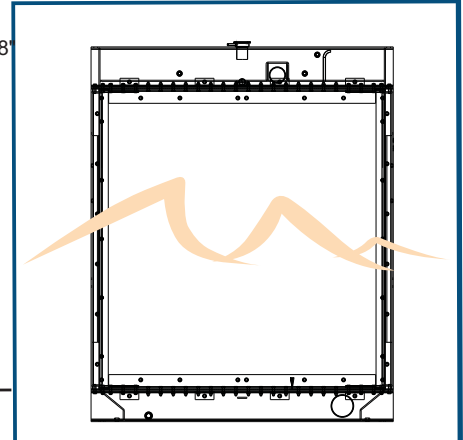
059 RELEASE:
02/16

8538

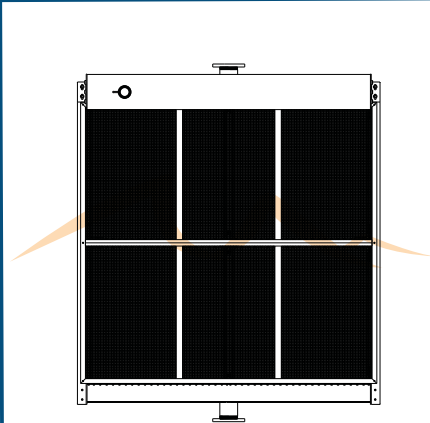
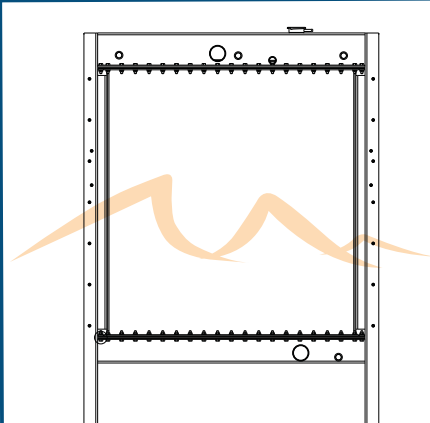
INDUSTRIAL

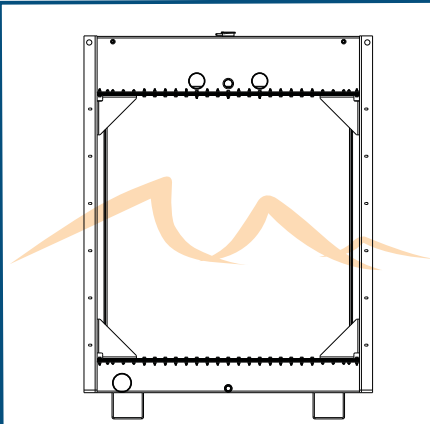
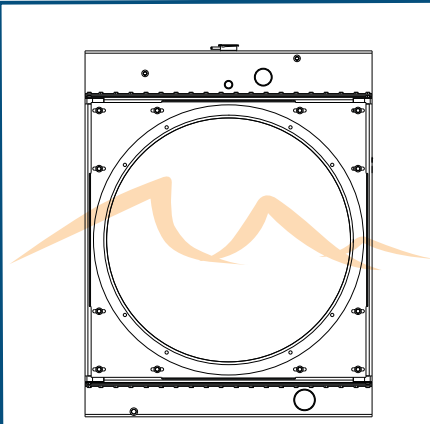
CIE-5

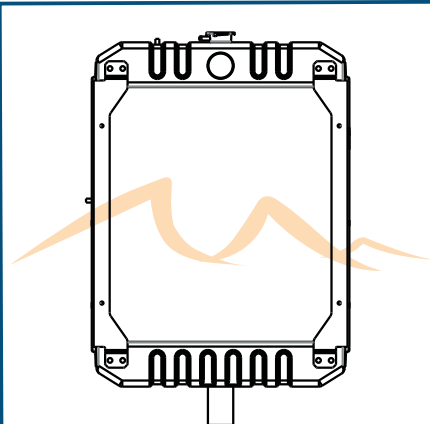
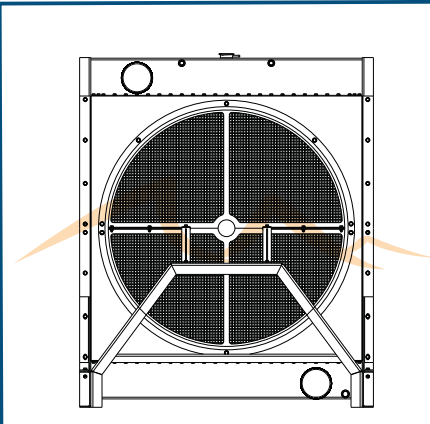
CORE SIZE:
47 15/16" X 45 5/8" X 2 7/8"
INLET:
2 1/2"
OUTLET:
3 1/2"
OIL COOLER:
NO
REFERENCE:
BTCU-GTA 12 BGR

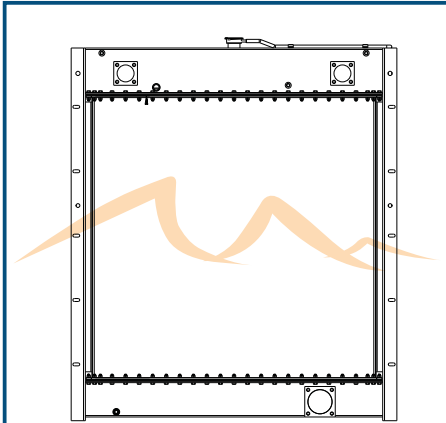
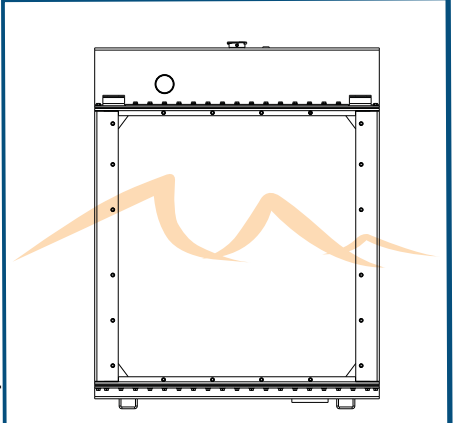
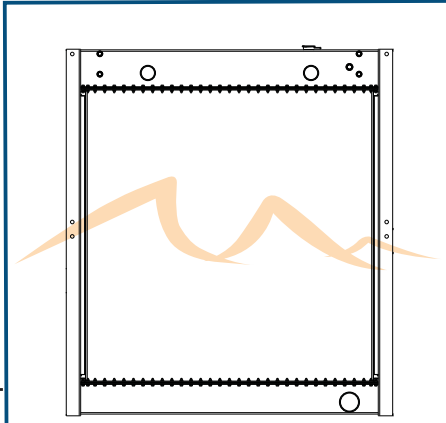
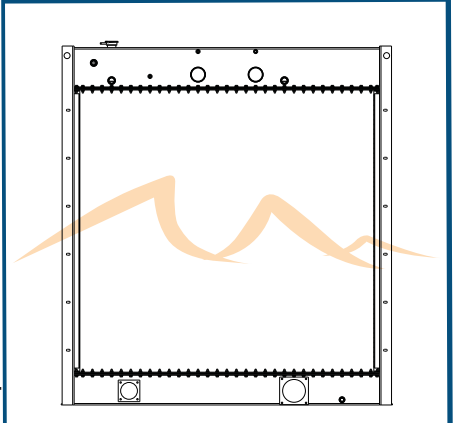
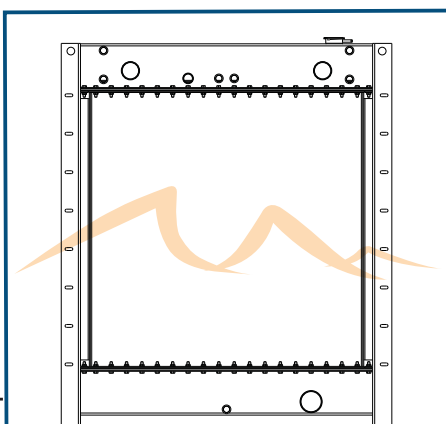
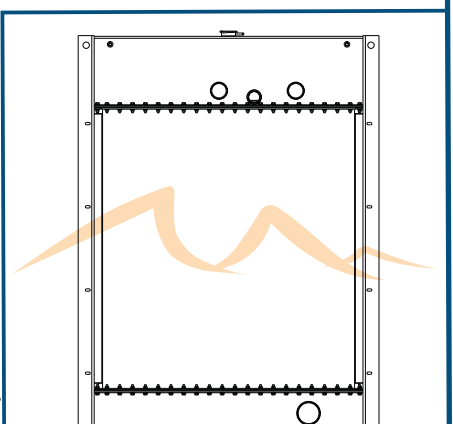


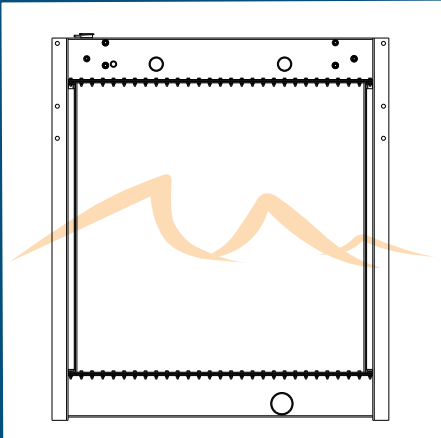
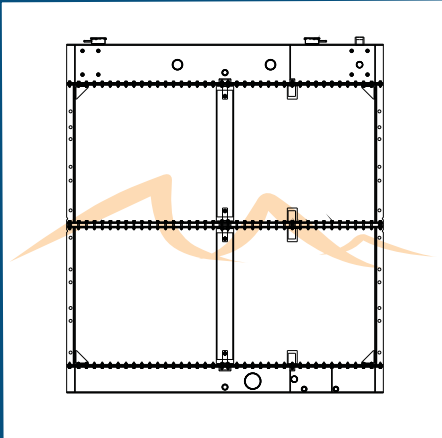
060 RELEASE:
03/16

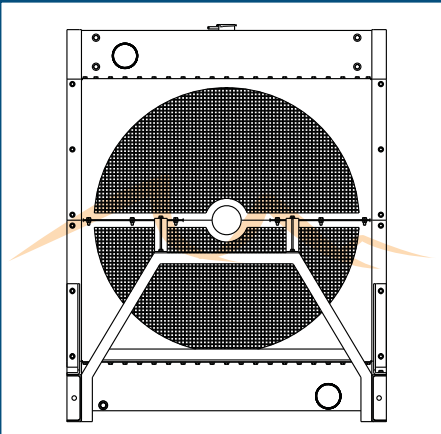
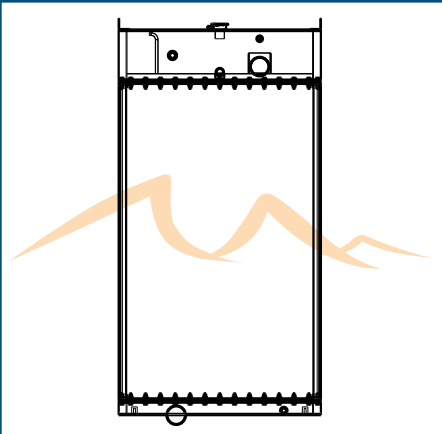
8540	INDUSTRIAL	8542	INDUSTRIAL
<p>CIE-8</p> <p>CORE SIZE: 43" X 41 7/8" X 4 1/8"</p> <p>INLET: 5" NPT</p> <p>OUTLET: 5" NPT</p> <p>OIL COOLER: NO</p> <p>REFERENCE: H50 BGR</p>		<p>CIE-4</p> <p>CORE SIZE: 39" X 36 1/4" X 2 11/32"</p> <p>INLET: 2 1/4"</p> <p>OUTLET: 2 1/4"</p> <p>OIL COOLER: NO</p> <p>REFERENCE: BT-0028-4R BGR</p>	
061 RELEASE: 04/16		062 RELEASE: 04/16	

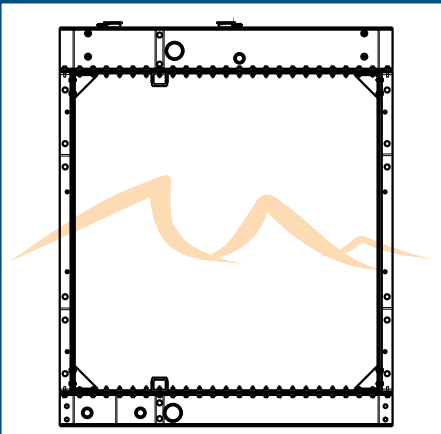
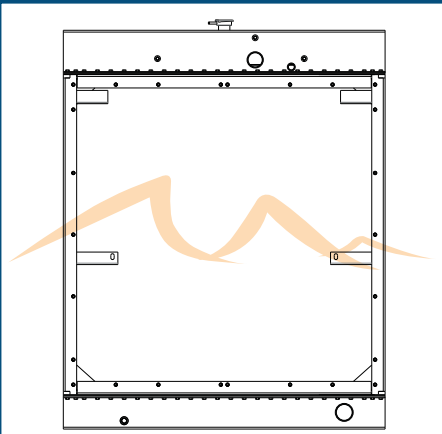
8543	INDUSTRIAL	8546	INDUSTRIAL
<p>CIE-5</p> <p>CORE SIZE: 50 1/2" X 46 7/8" X 2 7/8"</p> <p>INLET: 3"</p> <p>OUTLET: 3 1/2"</p> <p>OIL COOLER: NO</p> <p>REFERENCE: BT-0049-5I BGR</p>		<p>CIE-6</p> <p>CORE SIZE: 38" X 35 5/8" X 3 7/16"</p> <p>INLET: 2 1/4"</p> <p>OUTLET: 2 3/4"</p> <p>OIL COOLER: NO</p> <p>REFERENCE: BTCU-00855 BGR</p>	
063 RELEASE: 03/16		064 RELEASE: 05/16	

8547	INDUSTRIAL	8566	INDUSTRIAL
<p>CIE-5</p> <p>AJAX OIL PUMP WITH 7.25L, 8.5L ENGINES</p> <p>CORE SIZE: 20 1/8" X 18 3/4" X 2 7/8"</p> <p>INLET: 2"</p> <p>OUTLET: 2"</p> <p>OIL COOLER: NO</p> <p>REFERENCE: NORTHERN 245968</p>		<p>CIE-7</p> <p>CORE SIZE: 46 1/2" X 46 1/4" X 3 5/8"</p> <p>INLET: 5"</p> <p>OUTLET: 5"</p> <p>OIL COOLER: NO</p> <p>REFERENCE: 38296-1V-15 BGR</p>	
065 RELEASE: 06/16		066 RELEASE: 04/17	

<p>8567 INDUSTRIAL</p> <p>CIE-8</p> <p>CORE SIZE: 41 13/16" X 41 7/8" X 4 1/8" INLET: FLCH OUTLET: FLCH OIL COOLER: NO REFERENCE: BT-0006-81 BGR</p>  <p>067 RELEASE: 04/17</p>	<p>8569 INDUSTRIAL</p> <p>CIC-8</p> <p>CORE SIZE: 38" X 36 1/4" X 4 1/8" INLET: 2 1/2" OUTLET: FLCH OIL COOLER: NO REFERENCE: BT-0078-81 BGR</p>  <p>068 RELEASE: 05/17</p>
<p>8574 INDUSTRIAL</p> <p>CIE-8</p> <p>CORE SIZE: 61" X 60" X 4 1/8" INLET: 2" OUTLET: 4" OIL COOLER: NO REFERENCE: BT-0079-8M BGR</p>  <p>069 RELEASE: 06/17</p>	<p>8575 INDUSTRIAL</p> <p>CRE-7</p> <p>CORE SIZE: 59 5/32" X 61 1/4" INLET: 3" OUTLET: 3 1/2" - 4 3/4" OIL COOLER: NO REFERENCE: BT-0035-7R BGR</p>  <p>070 RELEASE: 06/17</p>
<p>8576 INDUSTRIAL</p> <p>CIE-6</p> <p>CORE SIZE: 36" X 35 5/8" X 3 7/16" INLET: 2 1/4" OUTLET: 2 3/4" OIL COOLER: NO REFERENCE: BT-0054-61 BGR</p>  <p>071 RELEASE: 06/17</p>	<p>8578 INDUSTRIAL</p> <p>CIE-8</p> <p>CORE SIZE: 44" X 39 3/8" X 4 1/8" INLET: 2" OUTLET: 3 1/2" OIL COOLER: NO REFERENCE: BT-0075-81 BGR</p>  <p>072 RELEASE: 06/17</p>

8581	INDUSTRIAL	8582	INDUSTRIAL
<p>CYE-6</p> <p>CORE SIZE: 54 1/2" X 54 5/12" X 4 7/16"</p> <p>INLET: 2 1/2"</p> <p>OUTLET: 4"</p> <p>OIL COOLER: NO</p> <p>REFERENCE: BT-0083-6Y BGR</p>		<p>CYE-6</p> <p>CORE SIZE: 35 7/8" X 35 5/8" X 4 7/16"</p> <p>INLET: 2 1/2"</p> <p>OUTLET: 4"</p> <p>OIL COOLER: NO</p> <p>REFERENCE: BT-0081-6Y BGR</p>	
073 RELEASE: 06/17		074 RELEASE: 07/17	

8583	INDUSTRIAL	8584	INDUSTRIAL
<p>CYE-5</p> <p>CORE SIZE: 38" X 38" X 3 11/16"</p> <p>INLET: 3"</p> <p>OUTLET: 3"</p> <p>OIL COOLER: NO</p> <p>REFERENCE: V-10 BGR</p>		<p>CIE-5</p> <p>CORE SIZE: 42 3/4" X 26 1/4"</p> <p>INLET: 2 1/2"</p> <p>OUTLET: 2 1/2"</p> <p>OIL COOLER: NO</p> <p>REFERENCE: BT-0086-51</p>	
075		076	

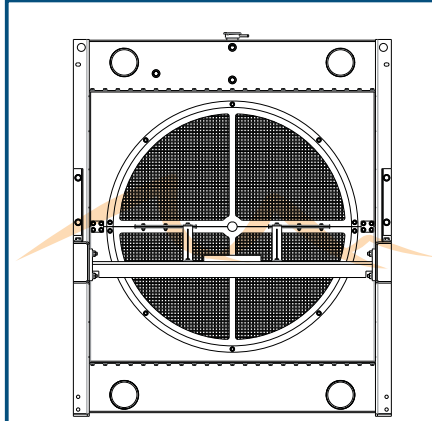
8585	INDUSTRIAL	8586	INDUSTRIAL
<p>CYE-6</p> <p>CORE SIZE: 48" X 45 1/2" X 4 7/16"</p> <p>INLET: 2 1/2"</p> <p>OUTLET: 2 1/2"</p> <p>OIL COOLER: NO</p> <p>REFERENCE: BT-0087-6Y BGR</p>		<p>CIE-7</p> <p>CORE SIZE: 48" X 45 5/8" X 3 5/8"</p> <p>INLET: 2 1/4"</p> <p>OUTLET: 2 1/2"</p> <p>OIL COOLER: NO</p> <p>REFERENCE: BT-0074-7M BGR</p>	
077		078	

8587

INDUSTRIAL

CIE-6

CORE SIZE:
42" X 42 1/2" X 3 7/16"
INLET:
4"
OUTLET:
4"
OIL COOLER:
NO
REFERENCE:
39007-1 BGR



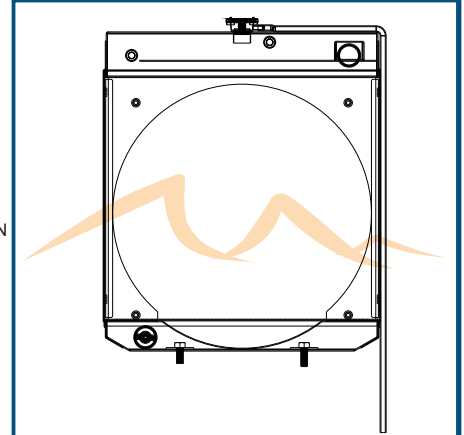
079

8588

INDUSTRIAL

CIE-5

CORE SIZE:
17 1/2" X 19 3/8" X 2 7/8"
INLET:
1 1/2"
OUTLET:
1 1/2"
OIL COOLER:
NO
REFERENCE:
ROCK CRUSHER NORTHERN



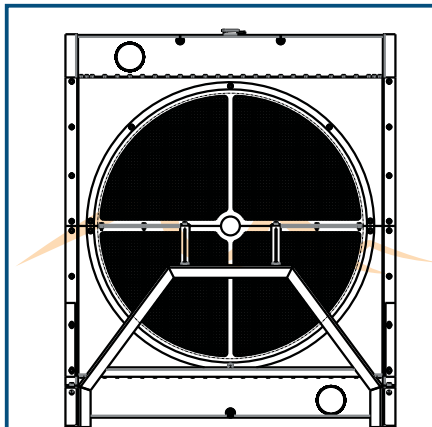
080

8589

INDUSTRIAL

CIE-6

CORE SIZE:
46 1/2" X 46 1/4" X 3 7/16"
INLET:
4"
OUTLET:
4"
OIL COOLER:
NO
REFERENCE:
39007-1 BGR



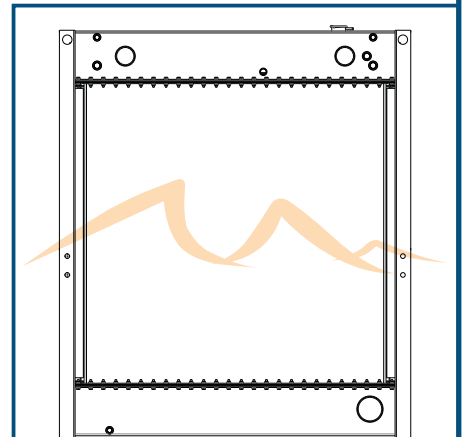
081

8593

INDUSTRIAL

CYE-6

CORE SIZE:
48 1/8" X 48 1/8"
INLET:
(2) 3"
OUTLET:
4"
OIL COOLER:
NO
REFERENCE:
BT-0096-6Y BGR



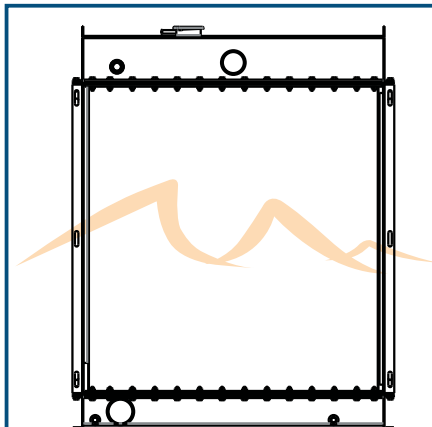
082

8594

INDUSTRIAL

CVTM-2

CORE SIZE:
27 1/2" X 25 3/4" X 1 1/4"
INLET:
2"
OUTLET:
2 1/4"
OIL COOLER:
NO
REFERENCE:
BT-0017 BGR



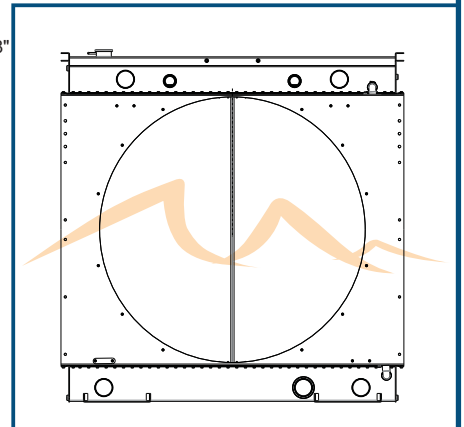
083

8596

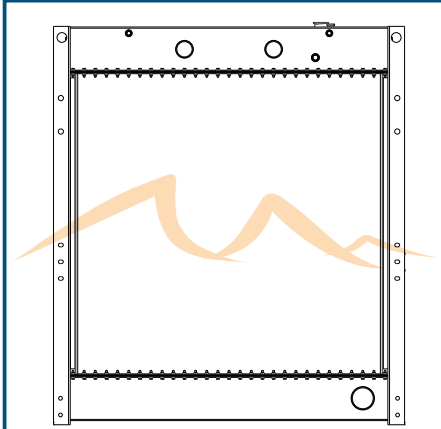
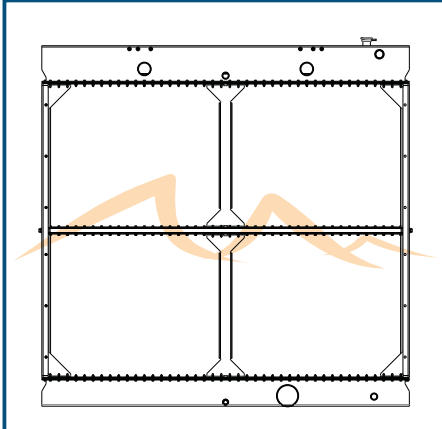
INDUSTRIAL

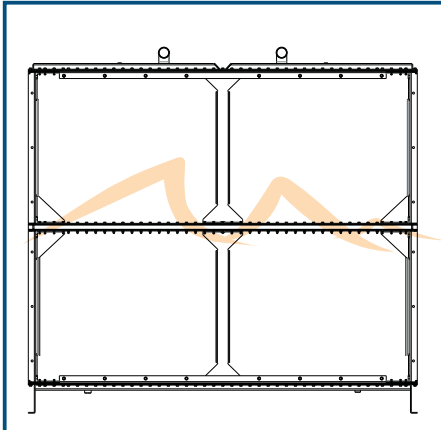
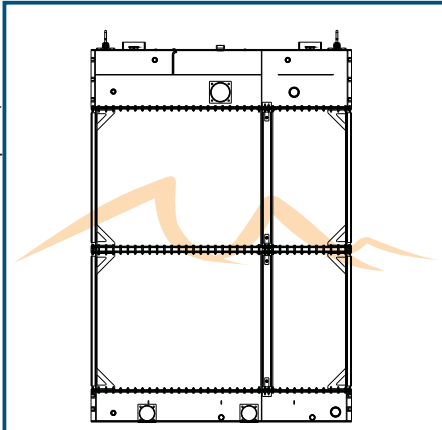
CIE-4JW-5AC

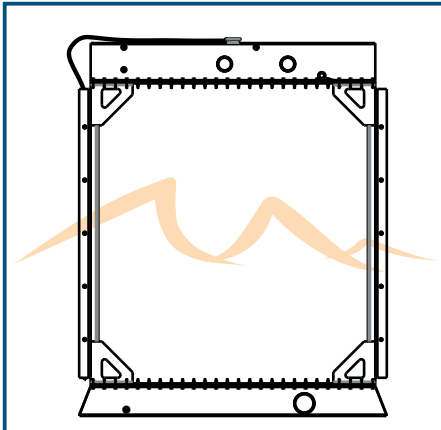


CORE SIZE:
62" X 36 7/8" X 2 11/32" X 2 7/8"
INLET:
(2) 2 3/8" (2) 4"
OUTLET:
(3) 4"
OIL COOLER:
NO
REFERENCE:
BT-0045-4I5I



084

8598	INDUSTRIAL	8599A	INDUSTRIAL
<p>CYE-6</p> <p>CORE SIZE: 54 1/4" X 55" X 4 7/16"</p> <p>INLET: 3"</p> <p>OUTLET: 4"</p> <p>OIL COOLER: NO</p> <p>REFERENCE: BT-0089-6Y BGR</p>	-	<p>CIE-7</p> <p>CORE SIZE: (4) 33 13/16" X 41 1/4" X 3 5/8"</p> <p>INLET: (2) 3"</p> <p>OUTLET: 5"</p> <p>OIL COOLER: NO</p> <p>REFERENCE: BT-0039A-71 BGR</p>	-
085		086	

8599	INDUSTRIAL	8600AC/JW	INDUSTRIAL
<p>CIE-7</p> <p>CORE SIZE: 33 11/16" X 40 5/8"</p> <p>INLET: 2 1/4"</p> <p>OUTLET: 2 1/4"</p> <p>OIL COOLER: NO</p> <p>REFERENCE: BT-0039B-71 BGR</p>	-	<p>CIE-8</p> <p>CORE SIZE: (2) 38" X 45 5/8" X 4 1/8" (2) 38" X 20 5/8" X 4 1/8"</p> <p>INLET: 1 FLCH 5" 1 COPL 2" NPT</p> <p>OUTLET: 2 FLCH 1 COPL 2" NPT</p> <p>OIL COOLER: NO</p> <p>REFERENCE: BT-0101-8 BGR</p>	-
086		088	

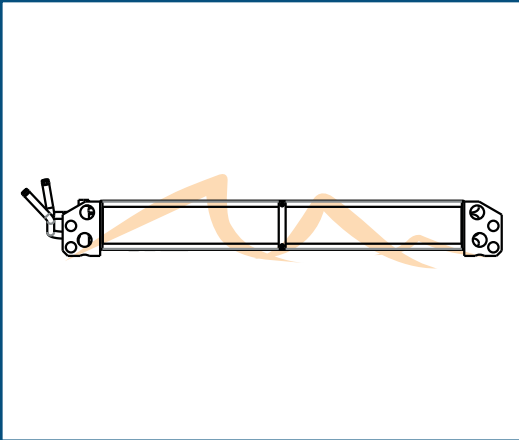
8604	INDUSTRIAL	-
<p>CIE-5</p> <p>CORE SIZE: 54" X 48 3/4" X 2 7/8"</p> <p>INLET: (2) 2 1/2"</p> <p>OUTLET: 3 1/2"</p> <p>OIL COOLER: NO</p> <p>REFERENCE: BT-0009-5N BGR</p>	-	-
089		
 SCAN OUR QR CODE		

TMA-001

PHAR-8174

KENWORTH T-660

CORE SIZE:
26" X 3 1/2"
INLET:
1/2"
OUTLET:
1/2"



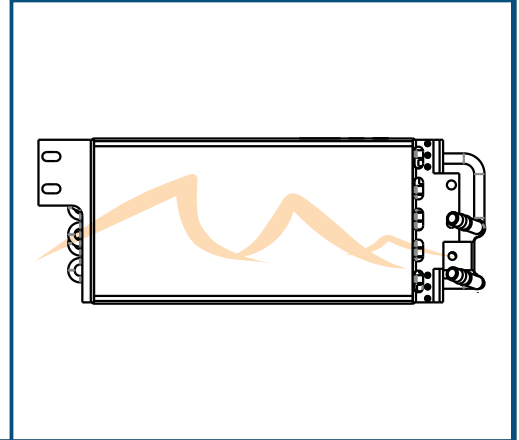
001

TMA-002

PHAR-8143, 8343

PRO STAR INTERNATIONAL

CORE SIZE:
15 7/16" X 7 13/16"
INLET:
1/2"
OUTLET:
1/2"



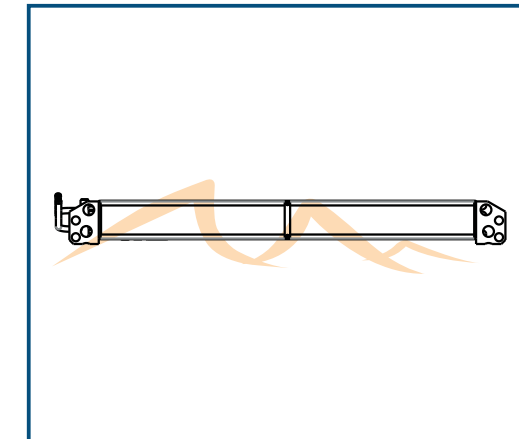
002

TMA-003

PHAR-8287, 8085

KENWORTH T-800

CORE SIZE:
34 1/2" X 3 1/2"
INLET:
1/2"
OUTLET:
1/2"



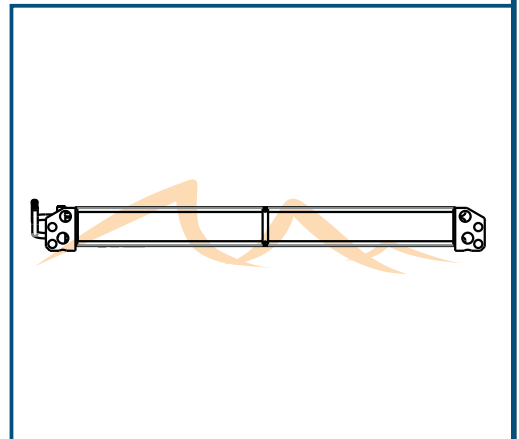
003

TMA-004

PHAR-5967

9900i 9200i INTERNATIONAL

CORE SIZE:
23" X 5 3/16"
INLET:
OUTLET:

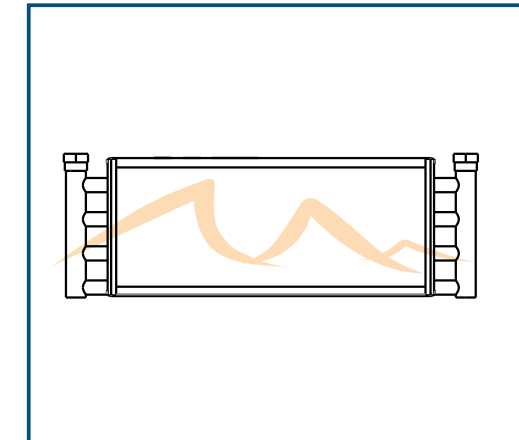


004

TMA-005

PHAR 5594-5599-6213 T-600-800 KENWORTH

CORE SIZE:
14 1/4" X 6"
INLET:
1/2"
OUTLET:
1/2"



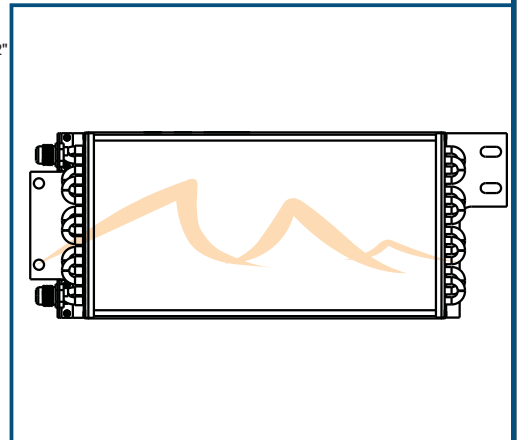
005

TMA-006

PHAR-8090

9200 INTERNATIONAL

CORE SIZE:
15 7/16" X 7 13/16" X 1 1/2"
INLET:
OUTLET:

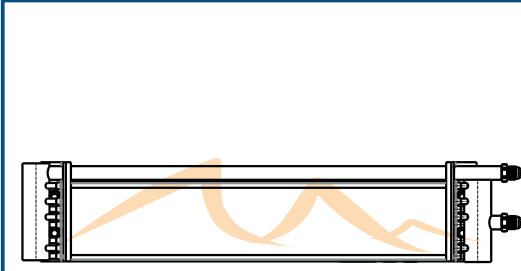


006

TMA-008

INTERNATIONAL 9400 08-09

CORE SIZE:
21 1/2" X 4.325"
INLET:
ROSCA 3/4 16
OUTLET:
ROSCA 3/4 16

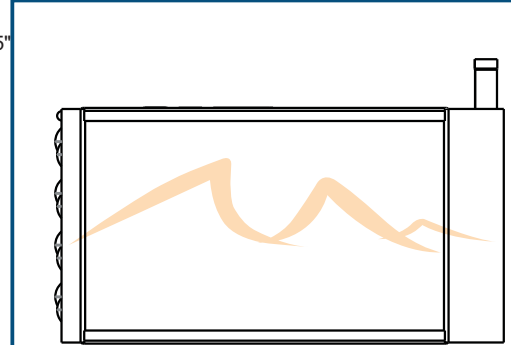


007

TMA1-009

KENWORTH CALEFACCION

CORE SIZE:
12" X 7.812" X 2.25"
INLET:
3/4"
OUTLET:
3/4"

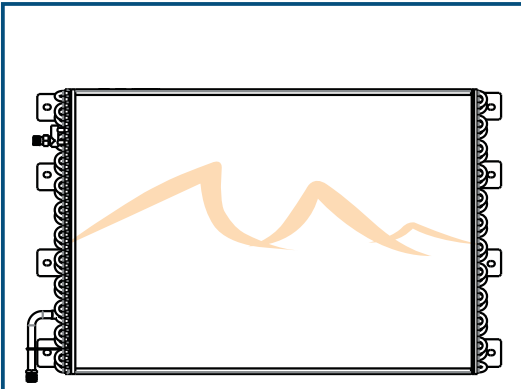


008

TMA1-010

KENWORTH T400 T600

CORE SIZE:
28 1/4" X 19 7/8" X 1 1/2"
INLET:
ROSCA 5/8 16
OUTLET:
ROSCA 3/4 16



009



SCAN OUR QR CODE

NOTES

A5967

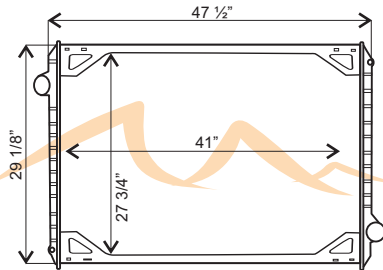
INTERNATIONAL

ACTS-44N

SERIES 2500, 2600, 8200, 9200, 9300, 9400

CORE SIZE:
41" X 27 3/4"
INLET:
2 1/2"
OUTLET:
2 1/2"
OIL COOLER:
NO
REFERENCE:

ALUMINUM



Stamping Tanks

001 RELEASE:
11/12

A6003

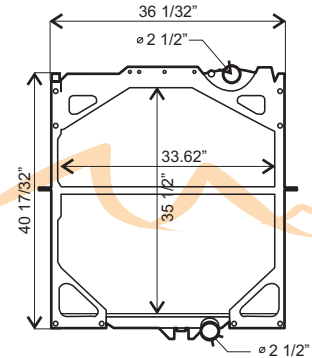
VOLVO

ACTS-44N

VN, VNL SERIES TRUCK 00-03

CORE SIZE:
35 1/2" X 33.62"
INLET:
2 1/2"
OUTLET:
2 1/2"
OIL COOLER:
NO
REFERENCE:
8000-09
VOL09
2001-4603
239381
8000-09 WF
239332, VOL09F

ALUMINUM



Stamping Tanks

002 RELEASE:
02/12

SOLDER ON

MT

WITH FRAME

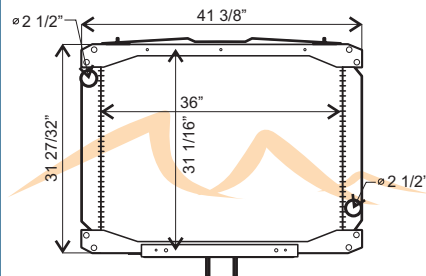
A6120

FREIGHTLINER

ACTA-44N/ACA-44N TRUCK 98-02 CENTURY CLASS COLUMBIA

CORE SIZE:
36" X 30 23/64"
INLET:
2 1/2"
OUTLET:
2 1/2"
OIL COOLER:
NO
REFERENCE:
437157TNP

ALUMINUM



BOLT ON
ONE PIECE GASKET

Stamping Tanks

003 RELEASE:
05/15

MT

WITH OR WITHOUT FRAME

A8035

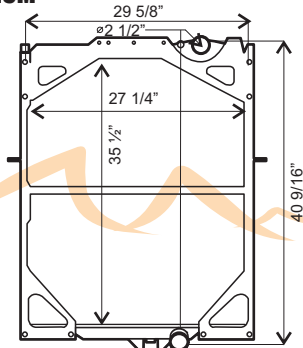
VOLVO

ACTS-44N

BUS 7550 2003

CORE SIZE:
35 1/2" X 27 1/4"
INLET:
2 1/2"
OUTLET:
2 1/2"
OIL COOLER:
NO
REFERENCE:

ALUMINUM



Stamping Tanks

004 RELEASE:
03/12

SOLDER ON

MT

WITH FRAME

A8039

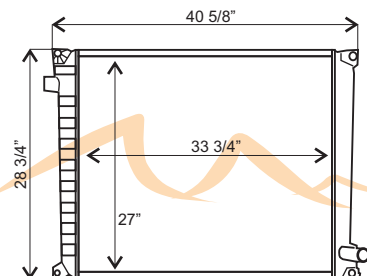
SCANIA

AT-44N

P94/P114/P144/P124 95-03

CORE SIZE:
33 3/4" X 27"
INLET:
2 1/4"
OUTLET:
2 1/4"
OIL COOLER:
NO
REFERENCE:

ALUMINUM



Stamping Tanks

005 RELEASE:
09/13

A8042

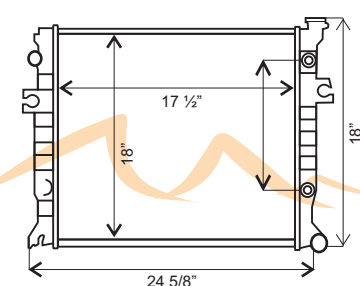
TOYOTA

A-44P7

LIFT TRUCK

CORE SIZE:
17 1/2" X 18"
INLET:
1 3/8"
OUTLET:
1 3/8"
OIL COOLER:
YES 113-150
REFERENCE:

ALUMINUM



With oil cooler in fan side

Stamping Tanks

006 RELEASE:
01/12

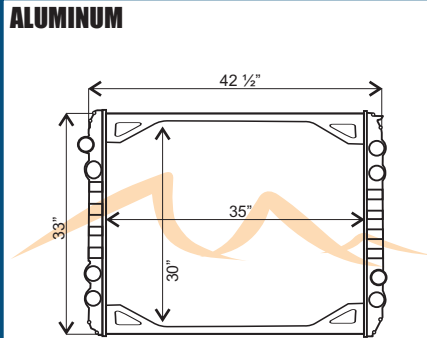
A8047

FREIGHTLINER

AT-44N

CENTURY CLASS COLUMBIA 98-02

CORE SIZE:
35" X 30"
INLET:
2 1/2"
OUTLET:
2 1/2"
OIL COOLER:
NO
REFERENCE:



Stamping Tanks
007 RELEASE: 10/13

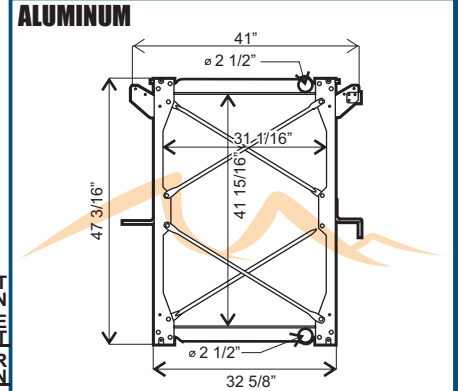
A8059

FREIGHTLINER

ACTS/ACS/AT-44N
ACTA-44N/ACA-44N

COLUMBIA

CORE SIZE:
41 15/16" X 31 1/16"
INLET:
2 1/2"
OUTLET:
2 1/2"
OIL COOLER:
NO
REFERENCE:
800022
FRE22
239336
SRM8056-F
FRE22F



Stamping Tanks
008 RELEASE: 12/11

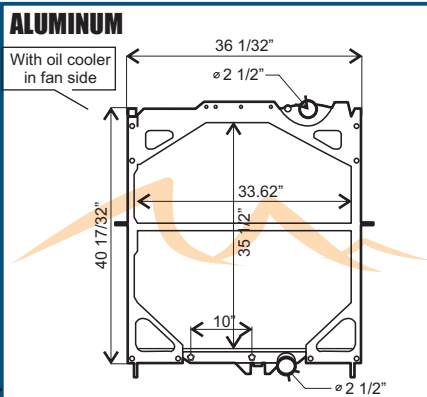
WITH OR WITHOUT FRAME

A8075

MACK/VOLVO

ACTS-44P5/ACS-44P5 CNX VISION/VN SERIES AUT

CORE SIZE:
35 1/2" X 33.62"
INLET:
2 1/2"
OUTLET:
2 1/2"
OIL COOLER:
YES 758075
REFERENCE:
800040
VOL40
239311
80040WF
2001-4605



Stamping Tanks
009 RELEASE: 02/12

WITH OR WITHOUT FRAME

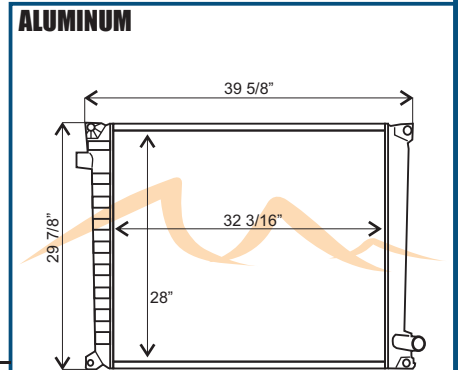
A8091

MACK

ACTA-44N/ACA-44N

CX/ZXN 612

CORE SIZE:
32 3/16" X 28"
INLET:
2"
OUTLET:
2"
OIL COOLER:
NO
REFERENCE:



Stamping Tanks
010 RELEASE: 10/13

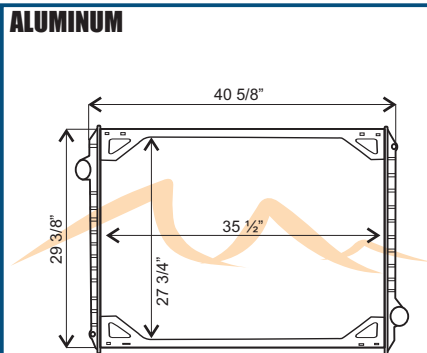
A8107

INTERNATIONAL

A-44N

SERIES 8100 - SERIES 4900 - 500 SFA

CORE SIZE:
35 1/2" X 27 3/4"
INLET:
2 9/16"
OUTLET:
2 9/16"
OIL COOLER:
NO
REFERENCE:



Stamping Tanks
011 RELEASE: 04/13

BOLT ON ONE PIECE GASKET

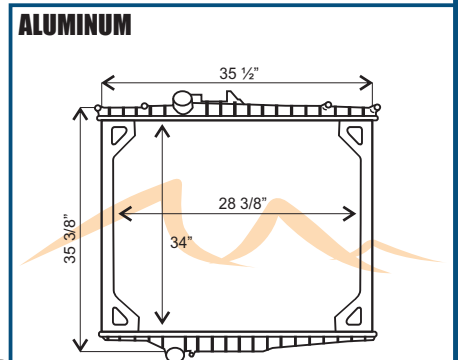
A8202

VOLVO

A-44N

BUS VOL18,800018

CORE SIZE:
28 3/8" X 34"
INLET:
2 1/2"
OUTLET:
2 1/2"
OIL COOLER:
NO
REFERENCE:



Stamping Tanks
012 RELEASE: 07/13

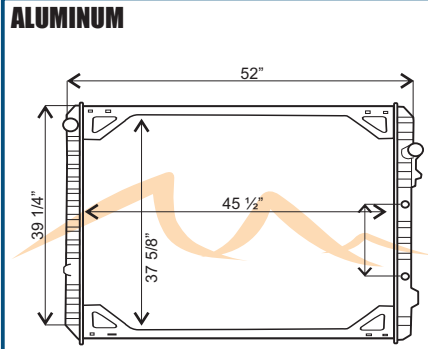
SOLDER ON

A8238

FREIGHTLINER/STERLING

AT-44N

CORE SIZE:
45 1/2" X 37 5/8"
INLET:
2 1/2"
OUTLET:
2 1/2"
OIL COOLER:
YES 758238
REFERENCE:
800040
VOL40
239311
80040WF
2001-4605



Stamping Tanks
013 **RELEASE:**
10/13

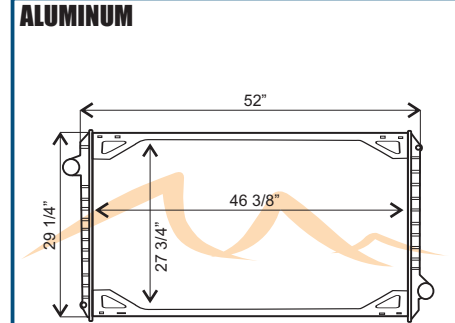
A8240

INTERNATIONAL

A-44N

SERIES 9800

CORE SIZE:
46 3/4" X 27 3/4"
INLET:
2 9/16"
OUTLET:
2 9/16"
OIL COOLER:
NO
REFERENCE:



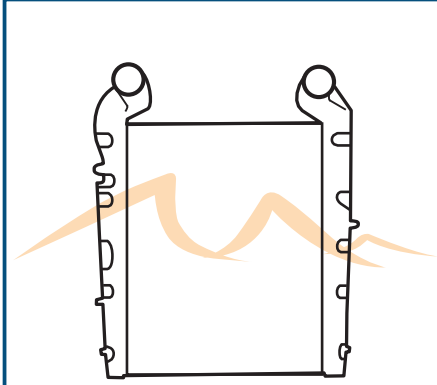
Stamping Tanks **SOLDER ON**
014 **RELEASE:**
07/13

NOTAS

BBCAC-001

INTERNATIONAL CHARGE AIR COOLER JOROBADO 3975

CORE SIZE:
23" X 27 2/7"
INLET:
3 1/2"
OUTLET:
3 1/2"

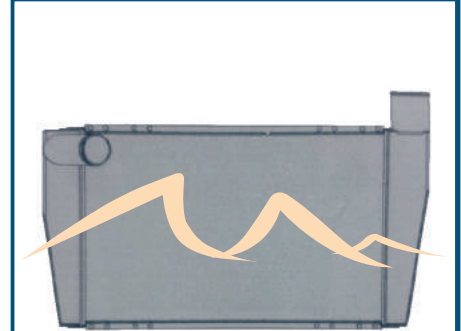


001

DICAC-001

POSTENFRIADOR DINA 8181

CORE SIZE:
30 5/16" X 24 11/16" X 1 3/4"
INLET:
4"
OUTLET:
4"

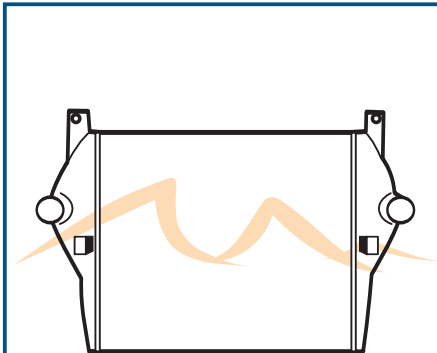


002

DOCAC-001

DODGE CHARGE AIR COOLER CUMMINS DIESEL

CORE SIZE:
27 1/2" X 24 11/16"
INLET:
3"
OUTLET:
3"

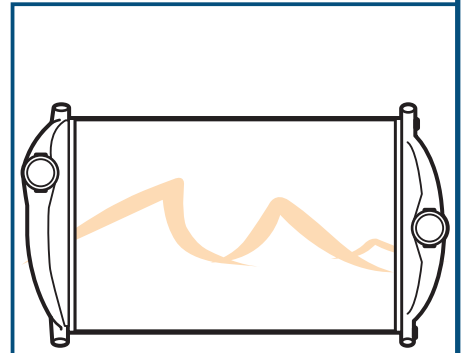


003

FRCAC-001

FREIGHTLINER CHARGE AIR COOLER (8047) COLUMBIA

CORE SIZE:
36.875 X 26.438
INLET:
4"
OUTLET:
4"

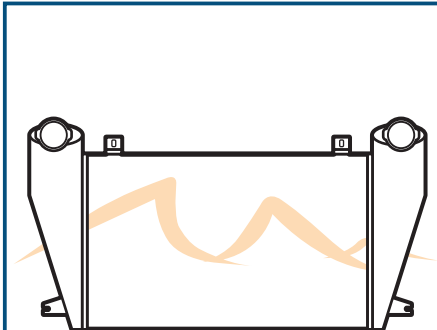


004

FRCAC-002

FREIGHTLINER CHARGE AIR COOLER (5603) FLD-120

CORE SIZE:
30.5 X 21.25
INLET:
4"
OUTLET:
4"

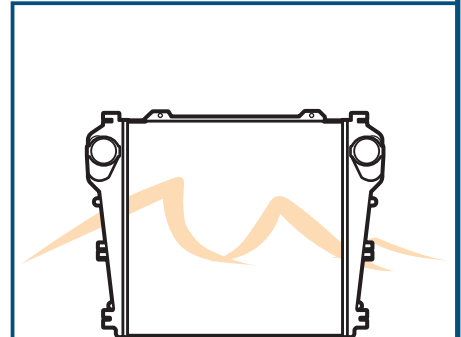


005

FRCAC-003

FREIGHTLINER CHARGE AIR COOLER (8024) FL-80 SERIES

CORE SIZE:
25 X 27.25
INLET:
3 1/2"
OUTLET:
3 1/2"

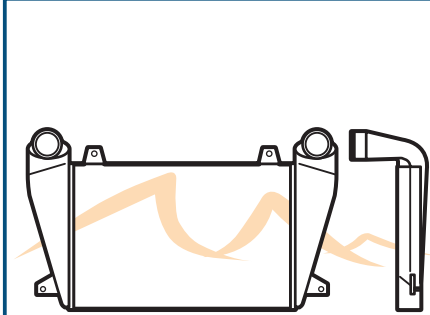


006

FRCAC-004

FREIGHTLINER CHARGE AIR COOLER (5603) FLD-120

CORE SIZE:
30.5 X 21.25
INLET:
4"
OUTLET:
4"

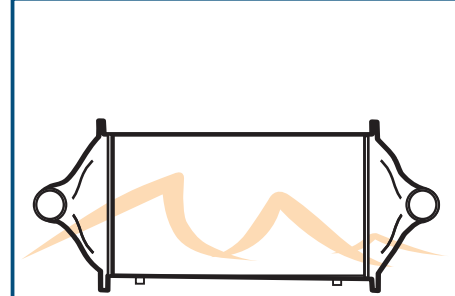


007

FRCAC-005

FREIGHTLINER CHARGE AIR COOLER FLD 112 SERIES

CORE SIZE:
36 7/8 X 22 1/4
INLET:
4"
OUTLET:
4"

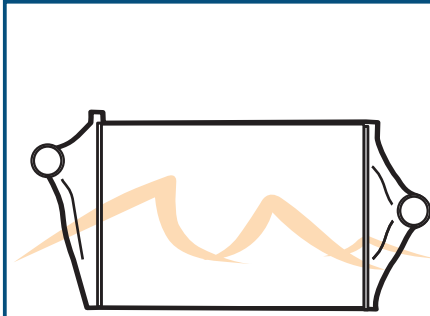


008

FRCAC-008

FREIGHTLINER CHARGE AIR COOLER C120

CORE SIZE:
36.81 X 26.5
INLET:
4"
OUTLET:
4"

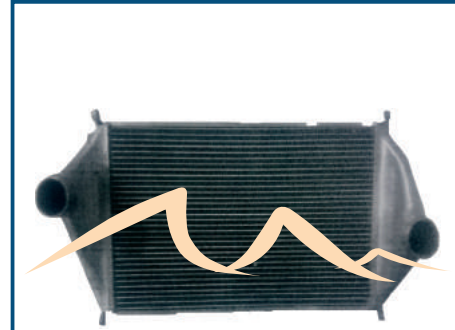


009

FRCAC-009

8022 FLD 112, 120 "98-03"

CORE SIZE:
36 3/4" X 22 1/2" X 1 3/4"
INLET:
4"
OUTLET:
4"

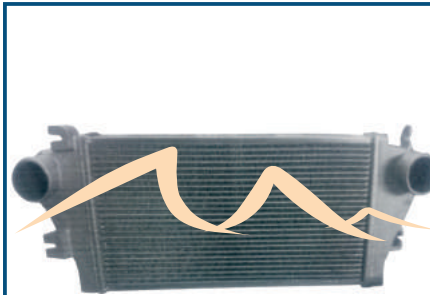


010

FRCAC-010

B2 BASE 06-08/BUSINESS CLAS M2 07-08/M2 106 BASE 04-07

CORE SIZE:
27 1/2" X 14" X 2 1/4"
INLET:
3 1/2"
OUTLET:
3 1/2"

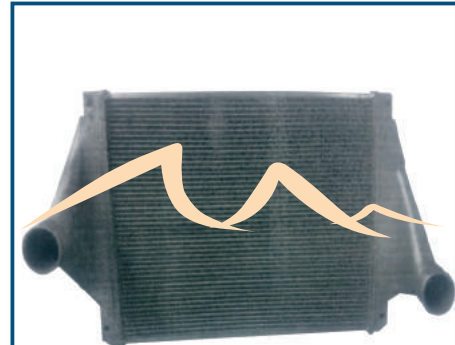


011

FRCAC-011

CASCADIA 08-13/FLD 08-09/STERLING AT 9500 08-09 800068

CORE SIZE:
34 3/4" X 25" X 2 1/4"
INLET:
4"
OUTLET:
4"

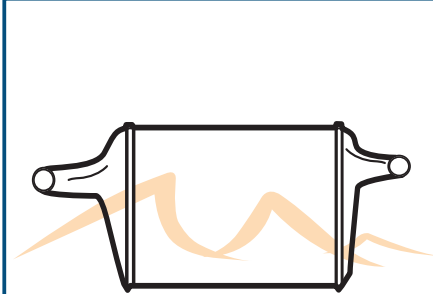


012

GMCAC-001

CHEVROLET CHARGE AIR COOLER KODIAK

CORE SIZE:
31" X 26 3/16"
INLET:
3 1/2"
OUTLET:
3 1/2"

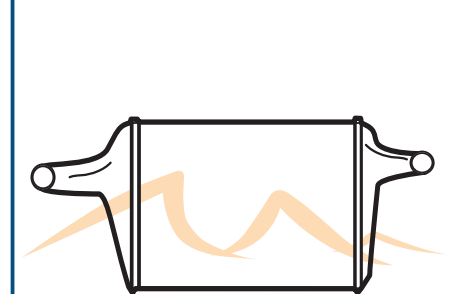


013

GMCAC-002

CHEVROLET CHARGE AIR COOLER KODIAK

CORE SIZE:
31" X 24"
INLET:
3 1/2"
OUTLET:
3 1/2"

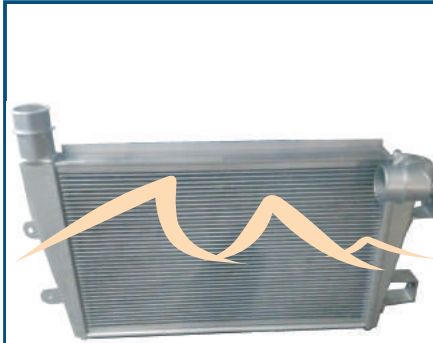


014

HYCAC-001

SUPER AERO CITY 14-15

CORE SIZE:
34 3/4" X 21 1/2" X 2 1/4"
INLET:
3 1/2"
OUTLET:
3 1/2"

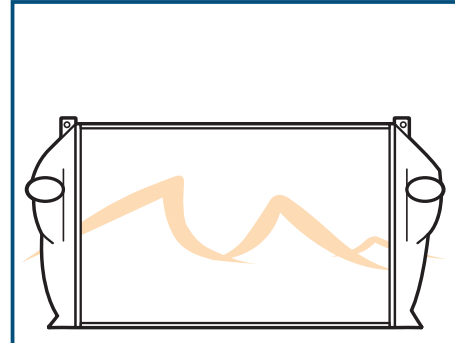


015

INCAC-001

SERIES 8000 & 9000 (5967)

CORE SIZE:
41 1/4" X 24 4/5"
INLET:
4"
OUTLET:
4"

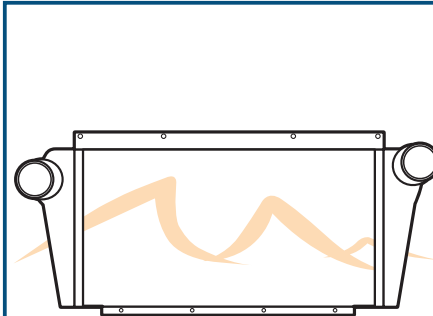


016

INCAC-002

WINDOW BUS 84-06

CORE SIZE:
22 4/5" X 12 3/4"
INLET:
3"
OUTLET:
3"

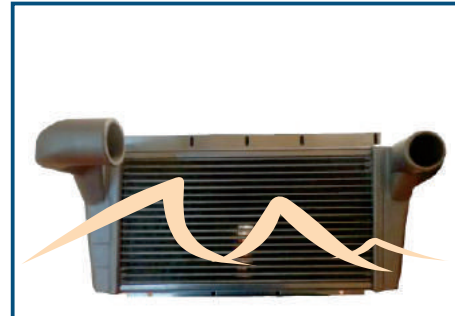


017

INCAC-005

INTERNATIONAL AUTOBUS 94-04

CORE SIZE:
23" X 12 5/8" X 2 1/4"
INLET:
3"
OUTLET:
3"



018

INCAC-006

INTERNATIONAL 8000 07-10/PROSTAR PRO 08-11 GAGLE 9100i 9200i 9400i 9900i 07-09

CORE SIZE:
39 1/4" X 11 9/16" X 3 3/4"
INLET:
4"
OUTLET:
4"

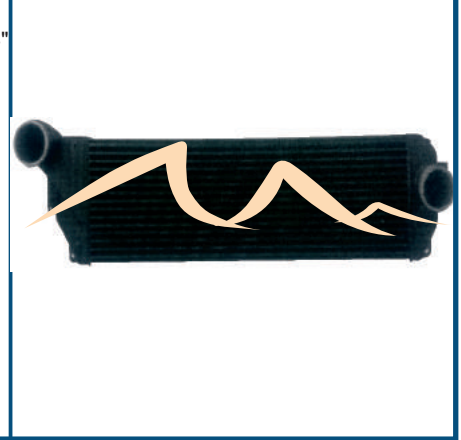


019

INCAC-007

SERIES PROSTAR 08-12 EAGLE 9100i 9200i 9400i 9900i 07-09

CORE SIZE:
39 3/4" X 13 1/16" X 3 3/4"
INLET:
4"
OUTLET:
4"

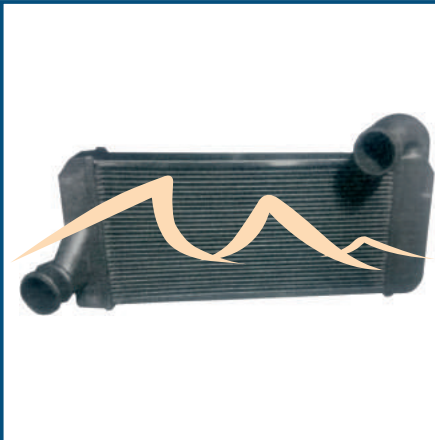


020

INCAC-010

BASE 3700, 7600, 8600, 9200i, 9400i, 9900i

CORE SIZE:
30 1/4" X 15 5/16" X 3 3/4"
INLET:
4"
OUTLET:
4"

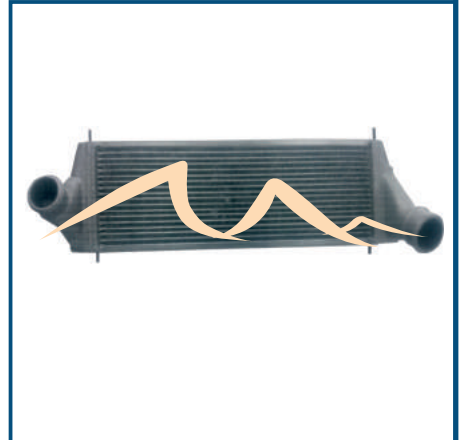


021

INCAC-011

INTERNATIONAL 4300-4400 SERIES

CORE SIZE:
27 7/8" X 9 3/4" X 3 3/4"
INLET:
3"
OUTLET:
3 1/2"

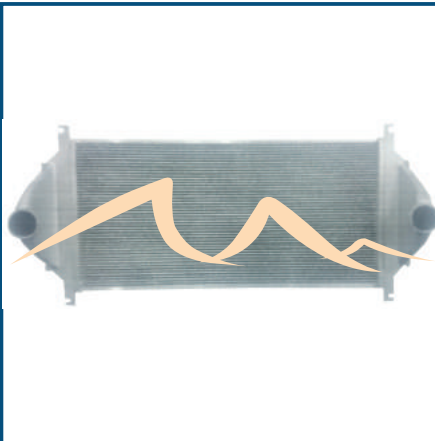


022

INCAC-015

BASE 7000, 7300, 7400, 7500, 7600 WORKSTAR 07-13

CORE SIZE:
46 3/4" X 24 9/16" X 1 3/4"
INLET:
4"
OUTLET:
4"

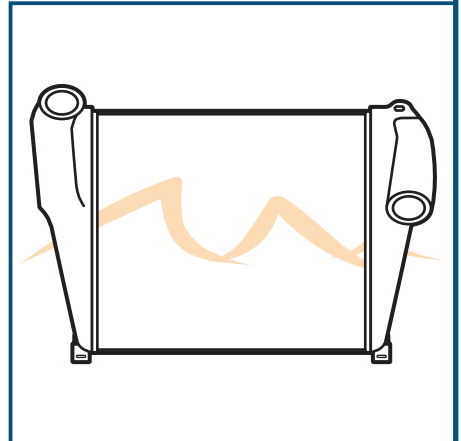


023

KECAC-001

KENWORTH CHARGE AIR COOLER T-800

CORE SIZE:
28.688 X 26.438
INLET:
4"
OUTLET:
4"

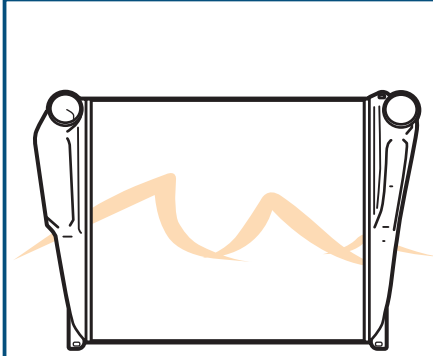


024

KECAC-002

KENWORTH CHARGE AIR COOLER T-600

CORE SIZE:
28.688 X 26.438
INLET:
4"
OUTLET:
4"

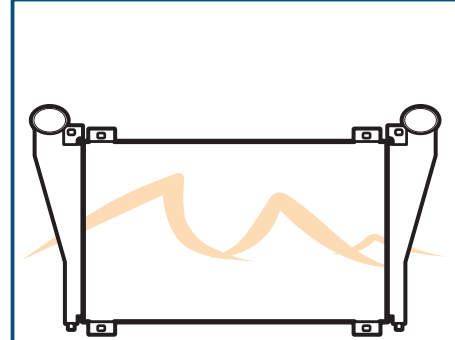


025

KECAC-003

KENWORTH CHARGE AIR COOLER T-200 8061

CORE SIZE:
39.625 X 25.5
INLET:
4"
OUTLET:
4"

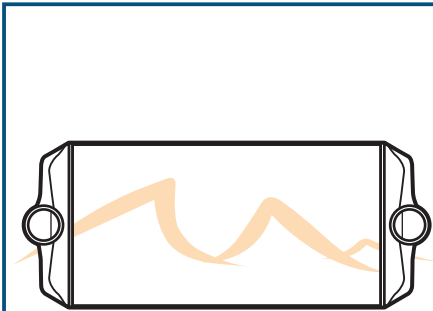


026

KECAC-004

KENWORTH CHARGE AIR COOLER T-300/400

CORE SIZE:
36.875 X 16.875
INLET:
4"
OUTLET:
4"

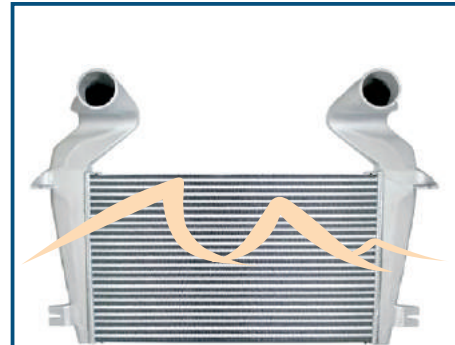


027

KECAC-005

T800H/T800W/W900B/C500B

CORE SIZE:
34 7/8" X 22 7/8" X 2 1/4"
INLET:
4"
OUTLET:
4"

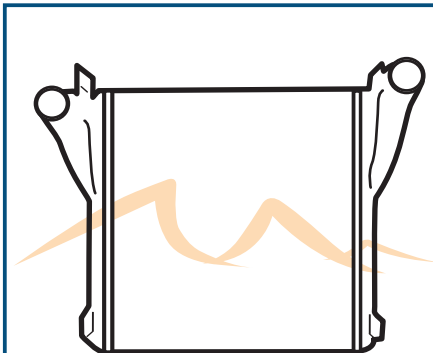


028

KECAC-006

KENWORTH CHARGE AIR COOLER W900L/T660

CORE SIZE:
29 X 31
INLET:
4"
OUTLET:
4"

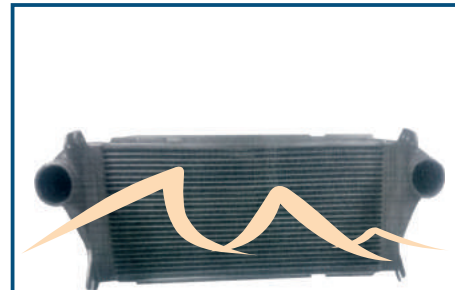


029

KECAC-007

KENWORTH T300-T370/PETERBILT 330, 335, 340

CORE SIZE:
37" X 16 1/16" X 1 3/4"
INLET:
4"
OUTLET:
4"

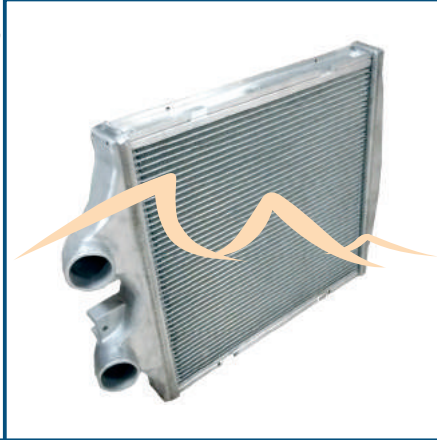


030

MECAC-001

MOTOR: 924

CORE SIZE:
23 1/2" X 23 11/16" X 2 1/4"
INLET:
3 1/8"
OUTLET:
3 1/8"

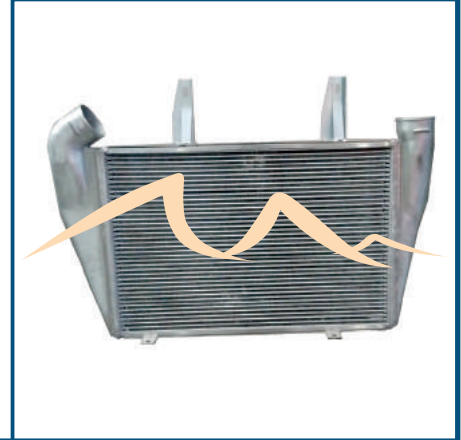


031

MECAC-002

MOTOR: 904/906

CORE SIZE:
30" X 20 7/8" X 2 3/4"
INLET:
3 15/16"
OUTLET:
3 15/16"

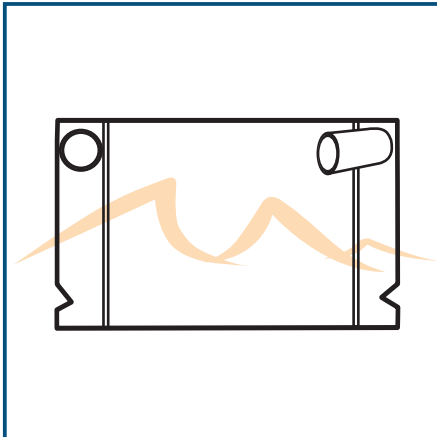


032

NBCAC-001

CHARGE AIR COOLER FLEXLINER / NOVA BUS

CORE SIZE:
25" X 20 2/5"
INLET:
3 1/2"
OUTLET:
3 1/2"

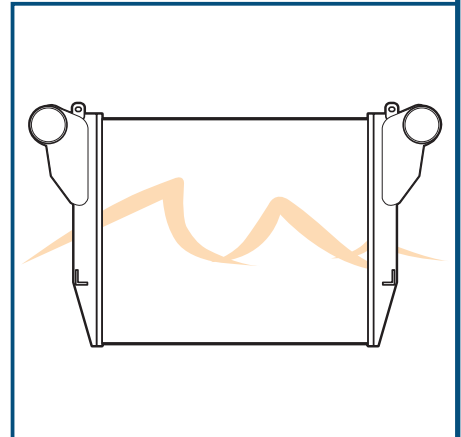


033

PBCAC-001

8036 89-07

CORE SIZE:
33 5/8" X 29 2/5"
INLET:
4 1/8"
OUTLET:
4 1/8"

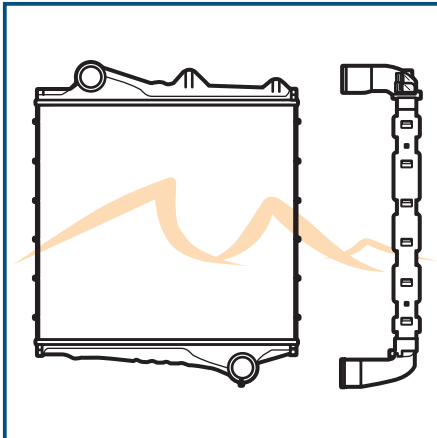


034

VOCAC-001

CHARGE AIR COOLER VOLVO (6003) SERIES V-4

CORE SIZE:
34.25 X 35.938
INLET:
4"
OUTLET:
4"

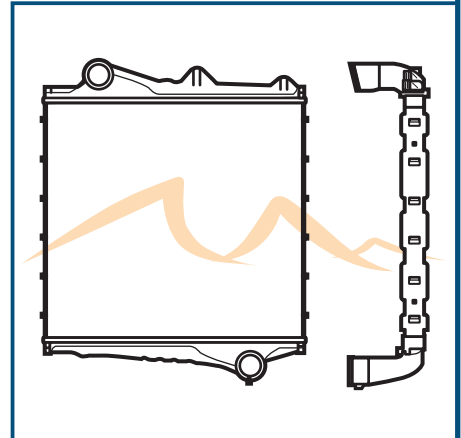


035

VOCAC-002

CHARGE AIR COOLER VOLVO (6003) SERIES V-4

CORE SIZE:
34.25" X 35.938"
INLET:
4"
OUTLET:
4"



036

CODE PHAR	APPLICATION	REFERENCES	DRAW NUMBER	PAGE
1406	LINCOLN WEDLER	G10877198	001	118
1733	KODIAK 96-99	GMC27	001	028
2552	KODIAK 97-98		002	028
3363	5-500, F-600 65-72	DPI-479	001	034
3521	TRUCK LOUISVILLE LN 800 BUS	FLN8000, 0991 DPI	002	034
3972	S-600 92-94	640051, 232129, INT50, 2117 DPI	001	058
3973	S-400, S-500 92-94	640056, INT56, 2006-3509, 640055, INT55, 2006-3501	002	058
3974	S-400, S-500 94-98	640057, 640058, INT57, INT58, 2006-3506, 2006-3508, 238511	003	058
3975	S-600 94-98	INT54, 640053, INT53, 640054, 2118 DPI	004	058
4025	AGRICULTURAL TRACTOR 4500, 5000 79-92	CR 9780, A-86531508 DPI	003	034
4026	NEW HOLLAND 5110, 5600, 6410, 6600, 6610, 6810, 7410	NORTHERN 219534, 82980245	024	093
5592	W-900 350 74-89	NATIONAL MARKET	001	078
5593	K-123 74-84	NATIONAL MARKET	002	078
5594	T-800 89-94	SRM5594, KEN22	003	078
5599	T-600 92-95	SRM5599	004	078
5600	D-9400	SRM7176, 437176, 2101-3518, 239393, NAV20, 437176TNP	005	058
5603	FLD120 93-99	EX03AC0022SP, FRE21, 800021, 2101-1701	001	042
5605	T-450 93-95	KEN23	005	078
5656	F-700 BUS 95-96	FOR 95	004	034
5658	EXCURSION SUPER DUTY 99-00	2171 DPI	005	034
5736	T-300	KEN04, 239341, 437167TNP	006	078
5959	TRUCK	NATIONAL MARKET	006	084
5960	BUS S-500 87-92	NATIONAL MARKET	006	058
5962	BUS S-500 87-92		007	059
5963	BUS S-500 87-92		008	059
5967	TRUCK 9200-9400 96-02	640003, NAV03, 239323 (A), 239324 (B), 640003WFA, 310003WFB, 437121TNP, 2001-3503	009	059
6003	VN, VNL, SERIES TRUCK 2000	8000-09, VOL09, 2001-4603, 239381, 8000-09WF, 239332, VOL09F	004	108
6010	T-2000	KEN05, 239498, KEN05F, 437179TNP	007	079
6021	FORKLIFT MOTOR MAZDA	4100-20, 4100-21, 246124	006	114
6027	W/A SERIES TRUCK	SRM6027-N, 239335, VOL42	005	108
6036	KODIAK 97-98 DIESEL	GMC08	003	028
6037	KODIAK 96-99 DIESEL		004	028
6108	FORKLIFT GM ENGINE	4100-18, 246122, 4100-19, 246123	007	115
6119	S-600 94-98	NATIONAL MARKET	010	059
6120	TRUCK 98-02 CENTURY CLASS COLUMBIA	437157TNP	002	042
6125	BUS 00-03 DT-466 02-03 4600/4300	SRM6125, 640008, NAV08, NAV12, SRM6125-AT, 239328, 239329, 640012	011	059
6130	KODIAK BUS CONVENTIONAL 40, 50, 60	437191TNP, GMC26	005	028
6131	KODIAK BUS 40, 50, 60	GMC14	006	028
6201	MOTOBOMBA		007	071
6204	KODIAK BUS 40, 50, 60 TOPTICK AMERICAN	GMC12	007	029
6205	CONSTRUCTION 96 MOD. 570, 580L, 590L	4100-43, CR 9952, A-234876A1 DPI	010	019
6210	ALEGRO BUS 01-02	NATIONAL MARKET	011	091
6211	MODULE 3H 98-99		012	059
6213	T-600, T-800 95-99	SRM6213, 6500-06, KEN06, 239312, 2101-2503, 2101-2501, 239209	008	079
6233	KODIAK BUS CONVENTIONAL SERIES 40, 50, 60	GMC01	008	029
6235	KODIAK BUS CONVENTIONAL SERIES 40, 50, 60	GMC10	009	029
6238	TORINO 00-07 URBAN		012	091
6250	02-03		013	060
8001	ENGLISH MOD. 2000, 3000, 4000, 5000	A-D8NN8005PA, 219522, CR 9522, CR 9561	006	034
8002	TB4, TB6	211021, 82985374	025	094
8003	MACK SERIES	MAC09, 299395, OEM3MF5474CM2, X45081	007	085
8004	GENERATOR	129687REF, 44520	007	035
8005	4210, 4230, 4240 MOD. 585, 595, 685, 695	CR 9888, 21988, 136839A1, A-84673C6	011	019
8006		CR 9887, 171653REF, 219887	012	019
8007		172534	013	020
8008		184062	014	020
8009	590 TURBO	CR 9729, 219729, A189481	015	020
8012	L553, L555 / 675, 675B SKIDSTEERS	NORTHERN 219805, OEM: 9828737	008	035
8013	178, 185, 188	CR 9545, 219545, A885579M91	001	090
8014	265, 255 W/GAS EARLY	CR 9766, 219766, A-531980M94	002	090
8015	MOD. 690	CR 9778, 219778, 1680599M92	003	090
8016	30, 165, 175, 180, 3165 CONTINENTAL & DIESEL	CR 9776, 219776, 197401M91	004	090
8017	255, 265 DIESEL	CR 9837, 219838, 531892M94	005	090
8018	255 DIESEL	CR 9838, 219838, 531892M94	006	090
8019	50E-UK, 270, 275UK, 283-UK, 290-UK, 670	C4 9842, 219842, 3820260M91	007	091
8020	7030, 7040, 7050, 7060	CR 9753, 219753, 70269240, 70267979	001	016
8021	7000	CR 9754, 219754, OE#70260432	002	016
8022	FLD112, 120 98-03	05-16378-001, 16397001, 680-500-22-03, SRM7116, 800004, FRE04, FRE04F, 2001-1704, 239355	003	042
8023	B500, 600, 700, 800, F600, 700, 800	F5H2, 8005AA/FG/JA, 437164, FOR82, 2002-1502, 1AH0001R, 239493	009	035
8024	URBAN FL50-90 SERIES 98-03	A05-16058-003, 680-500-28-03, SRM7145, 800005, FRE05, FRE05F, 2001-1705, 239342, 239330, 437145	004	042
8025	BUS FL50-90 SERIES	05-16756-000, A05-16238-000, SRM7152, 800006, FRE06, FRE06F, 2001-1706, 437152	005	042
8026	B500, 600, 700, 800, F600, 700, 800	437154, FOR81, 2002-1504, 239497, F5H280005CA-HA	010	035
8028	2.3L V4 PICK UP LUV 97-00	NATIONAL MARKET	010	029

CODE PHAR	APPLICATION	REFERENCES	DRAW NUMBER	PAGE
8029	BUS S-500 87-92	NATIONAL MARKET	014	060
8030	SERIES VAN CLUB VAN 83-90	1172 DPI	011	035
8031	F-SERIES BRONCO 83-94	1165 DPI	012	035
8032	F-SERIES VAN 92-94	1457 DPI	013	036
8033	TACOMA 95-04	1778 DPI	007	103
8034	TACOMA 95-04	1774 DPI	008	103
8035	BUS 7550 01-03		006	108
8036	357, 375, 379, 83-85	7700-06, PET06, 2101-3701, 239310	008	097
8037	8000 SERIES	E8HT8009G, E8H28005U, 90000-05, FOR05, 2001-1505, 239426	014	036
8039	BUS 2003	NATIONAL MARKET	001	102
8040	PICK UP 89-95	1190 DPI	009	103
8041	ECONOLINE 75-91	1291 DPI	015	036
8042	FORKLIFT	4100-03, LIF03, 246011, 16410 - U2200-71	010	103
8043	FORKLIFT	4100-05, LIF05, 246130, 16410 - U2170-71	011	103
8044	COLUMBIA	SRM800019, FRE19, 800019, FRE19F, 239326, 8000-19BT	006	042
8045	BUS F-11	NATIONAL MARKET	002	106
8046	330 SERIES	770003ST, 770004ST, PET04, 239389, 07-06875A-001, 0706875A-90	009	097
8047	CENTURY CLASS COLUMBIA 98-02	05-16255-000, SRM7157, 8000-07, FRE07, FRE07F, 239397, 239331, 2001-1707, 6805000603	007	043
8048	W900C 2004	SRM8048-4N, 650007, 239337, 239327	009	079
8049			008	043
8050		ACTIVE EDITION	001	032
8053	CH 613 E7 SERIES	1102027, 20961102027, 1003269, 1003270, 730005ST, MAC05, 239376, 239205, 730005WF, 2001-3505	008	085
8054	M-40, 320, 330	OE#AM0771T, CR 9734	008	071
8055	420, 430 HD	OE#AT10299, CR 9735	009	071
8056	7110-7140, 7210-7240, SERIES	CR 9531, A190663	016	020
8057	2840, 3030, 3120, 3130	OE#A26474, CR 9853	010	071
8059	COLUMBIA (SOLDER ON/BOLT ON ONE PIECE GASKET)	800022, FRE22, 239336, SRM8056-F, FRE22F	009	043
8060	585, 595, 895, 686, 695, 885	CR 9540, 8467366	017	020
8061	T-2000	4870810009, 7006435002, SRK7179-A, 650005A, 2001-2505, KEN05AF, 650005WOF	010	079
8062	379 SERIES T-300 2003	770005, 3E10673D, PET05, 239207	011	079
8063	D-8		001	024
8064	STERLING	239406, 9000-28ST, FOR24, SRM7208	016	036
8065	L, LN, LTL SERIES	F4HT8009TB, 239360, FOR12, 8000-12, 437159S	017	036
8066	UPS VAN, FEDEX TRUCK	732079, VAB1003435, 734357, SRM7196, 800015ST2002-1708, 239372, 239308	010	043
8067	CENTURY SERIES	OE#AA4738, B7472, SRM800020, 800020, FRE20, 239364, 2001-1710, FRE20F, 201710ACE	011	043
8068	443, 443B, 543, 543B, 553C, 553G, 553F	CR 9877, 6678670, 6563691	006	018
8069	642, 642B, 643, 722, 742, 742B, 743	CR 9878, 6571713	007	019
8070	743B, 743DS	CR 9879, 6648820	008	019
8071	751, 753, 763, 773, 7753, SERIES	CR 9882, 6666348	009	019
8075	VN SERIES 03-07 / MACK CHN / CXN 05-07	NORTHERN 239211	009	085
8076	LOW FLOW	PET12	011	097
8077	4900 SERIES	640060, INT60, 2006-3505, 11-C9265, ACE 45505, 238575	015	060
8078	4400, 7300 SERIES	640059, INT59, 2006-3507, 235816	016	060
8079	MODELS Mx180, Mx200, MX220	NORTHERN 211095	018	020
8080	SCHOOL BUS	16909-000, A05-16058-004, 1AH40011005, SRM7149, 800010WOF, 800010, FRE10, FR420C, 239306, 2001-1714	012	043
8081	FL50-90 SNOW PLOW	A05-16060-003, SRM7166, 800012WOF, 800012, FR42 W, PTO, FRE12, 239359	013	044
8084	230A, 231, 233, 234, 333, 334, 335, 340, 3740A...	C7NN8005H, E0NN8005MD15M, CR9561	018	036
8085	T-800 SPECIAL EDITION	KWT800, 650008, KEN08	012	079
8087	TRANSIT BUS	TB8087	002	102
8088			003	102
8090	9900i SERIES	6400-15, NAV15	017	060
8091	CX/ZXN 612	3MF5541AM, 7300-11, MAC11, 239252, MKCX	010	085
8092		UPS	001	108
8093	7810S	NORTHERN 211012	019	037
8094	D-398	223112, 229508, W3705	002	024
8095	VISION CX613	7300-08, MAC08, 239400, 437357S;AS	011	085
8096	L, LN, LTL, ZL SERIES	9000-07, FOR07, 9000-01, FOR01, 2001-1501	020	037
8097	9500 SERIES	9000-23ST, FOR23, 437207S, 2001-4114, 239492	021	037
8098	CLARK AIRPORT CAR		002	118
8099	FORKLIFT	ACTIVE 41067	001	096
8100	VHD SERIES 2004-2005	VOL44, OEM B208426	008	109
8104	WG SERIES HIGH FLOW	8029741, 8000-01, 8000-01WF, 2001-4601, 239380, 437125, VOL10F, VG72	009	109
8105	410B, 410C, 410D, 415B, 510B, 510C, 510D, 515B...	CR 9740	011	071
8106	TRACTOR 1850, 1950, 1950N, 2155, 2355	OE#AL67563, CR 9851	012	071
8107	500 SFA 8100 SERIES	N640005, NAV05, 2001-3502, 239366, 640005WF, 437122	018	060
8108	AIRPORT VEHICLE	TUG01	003	106
8109	WG SERIES	OEM 1676009, VOL11, 239210, 437358S, 800011	010	109
8110	387 SERIES FITS EARLY	7700-09, 2001-3703, 239206, PET13	012	097
8111	BUS TH 001	IB 8111	019	061
8112	THOMAS BUS	TB 8112	001	106
8118	POWER UNIT	JD-07-4	003	118
8119	POWER UNIT	JD-09-4	004	118
8120	VLE F-180	OEM:VG8120	011	109

CODE PHAR	APPLICATION	REFERENCES	DRAW NUMBER	PAGE
8121	B&F SERIES STERLING	OEM 1AH006445, 437168, FOR83, 2002-1512, 239428, 370003, FB 104	022	037
8122	STERLING	90-0010, FOR10, 2001-1519, FD31, 239318, 1033260, 1003260	023	037
8123	CENTURY COLUMBIA SERIES	FRE08	014	044
8124		W 3708	003	024
8127	STERLING	SRM7336, 9000-14ST, FOR14, FD34, 2001-1518	024	037
8128	357, 375, THRU 379 & 385	239208, PET14	013	098
8129	POWER UNIT	JD-04-4	005	118
8130	POWER UNIT	JD-02-3	006	118
8133		W 3701, 3608, 272577	004	024
8134		W 3702	005	024
8135	387 SERIES	OEM 1A19618, 0706657A05S, PET15, 93LPM	014	098
8137		W 3704, 3412GEN SET, 223072	006	024
8138		UP 8138 RANDALL	015	044
8139	D-379	223110	007	025
8140	FOREIGN BUS 9700 04-05	VOLVO D340, EURO3 425HP	012	109
8141	BUSINESS CLASS M2 2008	B 9688, 20050513055325	016	044
8142	7300, 7400, 7600 SERIES DL 530 E 03-06	IN 7411, 56411, NAV11, NAV14AUT, 239258AUT	020	061
8143	9400 05		021	061
8144			008	025
8145			009	025
8146	URBAN MICROBUS AUTOBUS 7300 MOT. HP 4700..		013	110
8147	3408, 3412	W 3707, 223114, 223621 (3406)	010	025
8149	BUS		018	086
8150		INT30, 230271, 2006-3517, OEM 49336764	022	061
8151		437195, 800014, FRE14, 239371, 2002-1709, OEM1003434, 1102036	017	044
8152	FLD 112, 120 ARGOSY COE	FRE16, 2001-1713, 8000-16, 239369, 2AH00096	018	044
8154	ACCESORY	ACCESORIES FOR: P/N 8094 RADIATOR	007	119
8155	ENERGY PLANT	W 3712	008	119
8156	BUS ACTROS, SETRA		014	092
8158		NORTHERN 238517, INT63, 2006-3502, 11C-8804	023	061
8159	NPR/NQR 94-13/W-SERIES 94-05	NORTHERN 239270 2001-0702, ISU43	001	070
8160	NPR 98 & NEWER, GM W SERIES	NORTHERN 239272, 97044293	002	070
8161	NPR/NQR 99-03, GM W-SERIES 99-04	NORTHERN 239307 ISU10, 2001-0701	003	070
8162	POWER UNIT GMC	450027, 450028	009	119
8163	B&F800	239413, 4372025, FOR18	025	038
8164		W 3713	011	025
8165		4373315, INT62, 11C-9264	024	061
8166		232124, INT31, 2006-3508	025	062
8167	MICRO BUS		026	062
8168	ENERGY PLANT		012	025
8169	FL50-90 SNOWPLOW 98-04	NORTHERN 239358 SPECTRA 2001-1714C	019	045
8170	NL-10/NL-12 96 & NEWERS	REA 42-10257	014	110
8171	COLUMBIA 112-120, CENTURY SERIES, FLD-120, M2	NORTHERN 239117 SPECTRA 2001-1724	020	045
8172	VNL/VNM/VNL42/VNL64 08-17	NORTHERN 239128, SPECTRA 2001-4608	015	110
8173	MR-600 SANITATION TRUCKS	NORTHERN 239396	012	085
8174	T-660 06-11, W-900 08-15, T-880 2014	NORTHERN 239129, SPECTRA 2001-2507	013	080
8175	4400-7300 ST	INT71	027	062
8176		W 3709	013	026
8177	AIRPORT	232127	004	106
8178	H-100 04-06	NATIONAL MARKET	015	056
8179	7400, 7900	1327366 OEM, 232123, 238564	028	062
8182	B&F 700-800, ACTERRA SERIES	NORTHERN 239413, SPECTRA 2001-1523	026	038
8183	H-100 DIESEL	NATIONAL MARKET	016	056
8184	COLUMBIA CENTURY M2	FRE24, 800024	021	045
8185	M2, MC, MM 06-09	NORTHERN 239130, FRE41	022	045
8186	M2 BUS 04-07	NORTHERN 238617, FRE42, 8000-66-AP	023	045
8187	MICROBUS 98-02	NORTHERN 238514, 2505157C1	029	062
8188	4700, 4900 SERIES	56454PTO, 238581 STD, 238580AUT	030	062
8189	CENTURY, COLUMBIA, FL, FLD112-120 SERIES 97-07	NORTHERN 239331, 239397, 2001-1707, 8000-07-AP	024	045
8190	TRANSPORTING BAND OF LUGGAGE (AIRPORT)		010	119
8191	SERIES 3000, 3600, 3800	NORTHERN 238576	031	063
8193	INTERNATIONAL/NAVISTAR	NORTHERN 238546	032	063
8194	S-600	640052, INT51 STD, INT52, 230201	033	063
8196	TOWING AIRPORT	281423 TUG	005	106
8197	VISION	MAC06, 239304, 2001-3006, S7306	013	086
8198	BUS 660 02-04	MAN660, 2000-04	019	087
8199	STERLING 01-03 CYL. ISC-300	FOR22, 239484, OEM F6HT8009BB, F8HT8009DA	027	038
8200	MODEL 4964 EX LOWMAX 03-05	WES13, 800013, WS01	002	114
8201	2008	9400	034	063
8202	BUS	VOL18, 800018	016	110
8203	STERLING	5363	028	038
8204	NPR/NQR 94-13, W-SERIES 94-05	NPR3243PA, ISU43, 5800-28-AP	004	070
8205	TRUCK 06-08	ISU09, OEM 97333140, 97333141	005	070

CODE PHAR	APPLICATION	REFERENCES	DRAW NUMBER	PAGE
8206	2550, 2355-LATE, 2450, 2555-LATE, 2650, 2650N...	OE#AL66774, CR 9852 NORTHERN	013	072
8207	ZAFIRO 924- 08-10		017	092
8208		NORTHERN 219958	019	021
8209	300D, 310C, 310D, 315C, 315D	NORTHERN 219739	014	072
8210	TRACTOR	259542	015	072
8211	FORKLIFT	249270	001	054
8212	URVAN 04-09	Ns036, 37629, LHRP663-1	002	096
8213	TRACTOR	82988918	027	094
8214	TRUCK	KEN07, K900C	014	080
8215	MOTORHOME, FIRE TRUCK 01-05	NORTHERN 239187, FRE23	025	046
8216	BUSINESS CLASS M2	B 9688, 20050513055325	026	046
8217	RADIATOR WG SERIES 95-01	NORTHERN 239210, REA42-10206	017	110
8218	POWER UNIT H-50	BGR H50	011	119
8219	AIRPORT VEHICLE	TUG01	006	106
8220	FORKLIFT	246117 NORTHERN	003	096
8221	V17 POWER UNIT		012	119
8222	F-600 08-09	P/N: 2587286 C91	036	063
8223	REAR ENGINE BUSES 96-05	NORTHERN 239294, BLU07	001	018
8225	TOM'S BRONCO 66-77	0521 DPI	029	038
8226	LE-600 SANITATION TRUCKS 00-07	NORTHERN 239183	014	086
8228	FORKLIFT	WORKS 4196	008	115
8227	FORKLIFT D187	41131	002	054
8228	FORKLIFT	WORKS 4196	003	054
8230	COMPRESSOR	RP5-028	013	120
8231	FLD 120	EX03AC002SP, FRE21, 800021, 2101-1701	027	046
8232	WORKER	VW17-250, 2VR121253	002	108
8233	MOTORHOME	310011 WF, BLU08, AK 5755	002	018
8234	L, LT 9500 SERIES	FIHT8009TA, 1003335, AK5334, FOR25	031	039
8235	TRUCK	AK 5735	018	110
8236	S600 SERIES	NAV18, AK 5308	037	064
8237	KODIAK	AK 5754	011	029
8238	CLASSIC-XL 10-11, FLD D 06-09	NORTHERN 239193, 800055, Ak5752, S8055	028	046
8239	SANITATION TRUCKS	NORTHERN 239032	015	086
8240	9800 SERIES	NAV09, 640009	038	064
8241	L, LN, LTL, CL SERIES	AK5362, FOR06	032	039
8242	TRACTOR MODEL MX210, MX230, MX255, MX285	211094 NORTHERN	020	021
8243	FORKLIFT H45-65XM (DIESEL)	246299 NORTHERN	004	054
8245	1600, 1700, 4600, 4900 SERIES 81-99	WORKS S6470, OEM: 1668900C92, 2006-3522	039	064
8246	TRACTOR	MFG 017-6, 16327-A, 16525-70, 245993 NORTHERN	016	072
8247	POWER UNIT	ONAN 30 DDA, 245994 NORTHERN	002	032
8248	2955-LATER, 3050, 3055-3150, 3155, 3255, 3350...	OE# AL66766, CR 9854	017	072
8249	TRANSIT BUS 96-07	NORTHERN 238818, TAL073109, 250RA042	001	052
8250	MX 100 TRACTOR	211037 NORTHERN	021	021
8251	FORKLIFT H80XM	246297 NORTHERN	005	054
8252	FORKLIFT HX70XM	H80 XM, 246296 NORTHERN	006	054
8253	COMBINE 194951 A1 23388 98-04	219959 NORTHERN	022	021
8254	WH-800 2820 03-04	FRE27, FEDEX, UPS STEP VAN, MT-45, MT-55, MB-55, OEM VAB1003599, 97, 66	029	046
8255	WORKHORSE 04-08	NORTHERN 238636, GMC38, OEM:52494798	012	029
8256	2008	ELT300	006	070
8257	2007-2009	NATIONAL MARKET	001	114
8258	T-600, T-800 2008	X5601-20, KENWORTH YET	015	080
8259	OIL COOLER TRACTOR	AP29759	018	072
8260	OIL COOLER TRACTOR	AP29777	019	073
8261	1900 SERIES	INT66, AK 5301	040	064
8262	CORONADO	FRE13, 2001-1712	030	046
8263	BUS 95-00	NORTHERN 239062, NOV01	007	097
8264	BUS	S-3112, 310012, 238567	003	018
8265	TC SERIES/CARPENTER BUS 93-03	NORTHERN 239280, 2001-5102, BLU03	004	018
8266	B&F SERIES	S5611, FOR71	033	039
8267	TRACTOR	29476	020	073
8268	TRACTOR	AP29857	021	073
8269	CONDOR	S8038, FRE38	031	047
8270	CONDOR	S8039, FRE39, OEM A0520667000	032	047
8271	MT-55 FEDEX UPS STEPVAN	FRE15FW, VAB1003439, OEM 734358	033	047
8273	CASCADIA CENTURY, COLUMBIA, ARGOSY 08-13	NORTHERN 239159, 2001-1725, FRE54, 800047	034	047
8274	CASCADIA, M2, CLASSIC, AT/LT 9500 SERIES 08-13	NORTHERN 239166, 2001-1732, FRE70, 1A0202900002	035	047
8275	INDUSTRIAL	S 1505	001	084
8276	PETERBILT 389	OEM 239169, 770017	015	098
8277	POWER UNIT		014	120
8279	420 & 430 W/LONG NECK TRACTOR	219736 NORTHERN	022	073
8280	MODEL 210C, 482C	219768 NORTHERN	023	073
8281	FORKLIFT H45-65XM	246290 NORTHERN, OEM 1338328, 770016	007	055
8282	XPEDITOR/WX SANITATION TRUCKS 04-10	NORTHERN 238683, VG8282PTOWF	003	016

CODE PHAR	APPLICATION	REFERENCES	DRAW NUMBER	PAGE
8283	FITS 8450	219939 NORTHERN, RE21557, 1A11243, 031083, WURE 21557, AR93889	024	073
8284	8430, 8440, 8630	RE21561, 219940 NORTHERN, AR76838	025	074
8285	TRACTOR MODELS 7210-7220-7320-7240-7250	219954 NORTHERN, CR 9554	023	021
8286	387 WITH CAC C13, C15	239132 NORTHERN	016	098
8287	T-800, T-880/ 365, 367, 567 08-15	NORTHERN 239165, 2001-2508, PET18, KW69	016	080
8288	8100-8200-8300-8400-8410-84105	211038 NORTHERN, OEM RE159541, RE69136, RE61305	026	074
8289	T370 09-10 BEHC H5408	7700-14, 239167	017	080
8290	RW-12937	X9903, CAPACITY #137200	015	120
8291	RW-12938	X9902, CAPACITY #128761	016	120
8292	RW-12939	X9901, CAPACITY #132069	017	120
8293	SERIES W, M14 01-13	NORTHERN 239066, OEM:559066	019	111
8294	9400 94-05/GENESIS FC BUS 96 & NEWERS	NORTHERN 238545, INT65, S6479, OEM: 0316727	005	018
8295	4900 SERIES	S6471, INT64	042	064
8296		JD 4045	027	074
8297	4400-7300 SERIES	S6480	043	065
8298	4900 SERIES	S6475	044	065
8299	SERIES L, LN, LTL, CL 94-05	NORTHERN 239067, 2001-1510	034	039
8300	7400 2004-2007		045	065
8301	FedEx X99-04		004	102
8302	POWER UNIT	P/N 3100110, SERIAL N° H 111237	018	120
8303	CASCADIA, CLASSIC 120, M2 112 BASE 08-13	NORTHERN 239004, 2001-1728, FRE68, 800068	036	047
8304	GM POWER UNIT		019	121
8305	KUBOTA		005	102
8311	H25-35XM. 560ES/504XMS	246086	008	055
8312	2250, 2355, 2450, 2555, 2650, 2755, 2850, 2855N AP29919	CR 9771, OE#AL56372	028	074
8313	POWER UNIT	C4910056000	029	074
8314	M2	800057 SIMILAR	037	048
8315	CASCADIA 07-09	NORTHERN 239065, FRE46, OEM:0526621005	038	048
8316	M2	239018 NORTHERN, 800054, 8185 PHAR SIMILAR	039	048
8317	WH-800 2820	800027WF	040	048
8318	POWER UNIT A-41	NORTHERN 245967, X9905, OEM:1662572061	002	084
8319		3RPS5-013 (WORKS), X9910	003	084
8320		3RPS-20 (WORKS), X9911	004	084
8321	T-680, T-880, T-2000 08-14/ 365, 367, 387, 587, 11-12	NORTHERN 239168, 2001-3705, 770015, PET17, OEM:F3160891233640	017	098
8324	POWER UNIT	JD-03-3	020	121
8326	POWER UNIT	P/N DR3045, SERIAL 498299	021	121
8328	T-660/320 CURBTENDER SANITATION TRUCK 08-13	NORTHERN 239074, KEN19, 770022, 559074, OEM:F3160961001010	018	080
8329	URVAN DIESEL MODEL 2008-2010	NATIONAL MARKET	004	096
8330	7FDU251 DZ FORKLIFT 1997-2000	246130, 16410-U2170	013	104
8331	MOTOR 4024 TF. 31 100025 BARNES DE MEXICO		030	074
8332	GENERATOR 250 KW		022	121
8333	COLUMBIA, M2, FLD BC 112/AT9500, L19500 08-09	NORTHERN 239162, FRE73, 900042, 559162, OEM:0527751012	041	048
8334	SERIES F150-90 97-04/ACTERRA Q MODEL 01-04	NORTHERN 239359, 2001-1705C, FRE12, 559359, OEM:A0516061003	042	048
8336	COMPRESSOR ATLAS COPCO (S.L.P.)	NATIONAL MARKET	023	121
8337	B & F SERIES	FOR 64, OEM # FOH78005HB	035	039
8338	BRONCO 66-67	399024	036	039
8339	300 SERIES 07-10	OEM:16400-78600	004	052
8340	2300/2400	AP-33080	031	075
8341	TRACTOR	219763 NORTHERN, AL115857, AL37451, AL78003, AL115732, AL115002, AL115731, AL110996, AL116668, AL110865	032	075
8342	TRACTOR	219936 NORTHERN, RE165030, RE67333, RE49167	033	075
8343	PROSTAR/9100, 9200, 9400, 9900 07-09	NORTHERN 239091, 640028, NAV16, HDC010569PA	046	065
8344	MARCOPOLO TORINO 33A-3047B (SERIE A633500)		019	093
8345	ANDARE AUTOBUS A634501000-1 2000-2006		020	093
8348	TRUCK 00-03	I400C/FS	047	065
8349	TRACTOR	212089 NORTHERN	024	021
8350	RETRO CASE 98-00		014	026
8351	HEAVY DUTY TRUCK 00-03	640023 ACTIVE	048	065
8353	SHN SERIES 08-10	ACTIVE 730018U, AKM5781, 239182 NORTHERN, OEM 21095128	016	086
8354	TRACTOR	AM0771TMT320	034	075
8355	TRACTOR	3808159M3 MASSEY PUMP	008	091
8356	TRACTOR SERIES C50, Cx50, C60, Cx60, C70, Cx70, C80, Cx80, C90...	NORTHERN 211022, OEM:222892A5, 303495A2	025	022
8357	TRACTOR	AM 121496 NORTHERN	035	075
8358	TRACTOR JD-4430 73-77	NORTHERN 219562, OEM:AR61879, Ar60337, 564633	036	075
8359	KENWORTH W900	ACTIVE 650014	019	081
8361	BUS	62192058, IA19125	024	121
8362	SCHOOL BUS F5-65	239191 NORTHERN	043	049
8363	C4500, C5500, C6500 KODIAK, TOPKICK 03-07	NORTHERN 239095, GMC34, OEM:15013551	013	030
8364	GMC C4500-8500	ACTIVE 580029	014	030
8365	MUSTANG	NORTHERN 211018	037	040
8366	HEAVY HAULER		020	081
8373	T-400, T-800, W-900/384, 386, 389 08-13	NORTHERN 239186, 559186, PET20, Pb66, 770021, 2001-2512	018	098
8374	TOPKICK SERIES 6000, 7000, 8000 07-09/C8500 KODIAK 03-07/H-SERIES	NORTHERN 238642, 580030, GMC30, OEM:15258912, HDC010276PA	015	030
8375	CASCADIA, CENTURY, COLUMBIA 08-13/L9500 09-10	NORTHERN 239195, 2001-1723, 800057, FRE61, S8057, 559195	044	049

CODE PHAR	APPLICATION	REFERENCES	DRAW NUMBER	PAGE
8376	XPEDITOR WX SANITATION TRUCKS 92-09	NORTHERN 239041, AUTO1, OEM:1003085, 800064	004	016
8377	FORD/BRONCO		038	040
8388	4050, 4055, 4250, 4255, 4455	219569 NORTHERN	037	076
8389		31040 BGR	025	122
8390		31134 BGR	026	122
8391	M2, 106 BUSINESS CLASS 08-09/ACTERRA 08-09	NORTHERN 239087, FRE66, OEM:900050, A0528481000	045	049
8396	EXPANSION TANK		006	102
8399	SURGE TANK		027	122
8400	INDUSTRIAL		028	122
8402	8901	900098	046	049
8403		79000369	029	122
8404	T-660, W-900, W-900B2, T-800H 06-14	NORTHERN 239045, 2001-2514, KEN20, S6518, 559045	021	081
8405	INDUSTRIAL		030	122
8406	INDUSTRIAL		031	123
8407	INDUSTRIAL	BGR 9172012A (V12)	032	123
8410	KENWORTH/KW-T450	239094 NORTHERN	022	081
8411	LTL, LTA, LTLS, SERIES 9000/1300 01 & NEWER	NORTHERN 239464, 2001-1515, FOR15, OEM:F4HZ8005H	039	040
8412	KENWORTH/PETERBILT/T-660	770022	023	081
8413	THOMAS BUS SERIES LT, B2, C2 07-13	NORTHERN 238619, 2001-1721, 310081AP, 1040293AS	047	049
8414			033	123
8415	LIFT TRUCK		005	096
8416	FREIGHTLINER/CASCADIA STERLING 2008	FR64PTO	048	049
8417	INDUSTRIAL	31100113	034	123
8418		BGR 32143	035	123
8420		S56-09 WORKS	040	040
8422	BUSINESS CLASS M2, M2 106 BASE 07-14	NORTHERN 238616, 2001-1749, FRE82, 900052AP, OEM:0525194000	049	050
8423		NORTHERN 900051ST	050	050
8424	BUSINESS CLASS M2 BASE, M2 106 Y M2 112 BASE ACTERRA	NORTHERN 238614, 2001-1748, FRE84, 900053 OEM: A0252424006	051	050
8430	LIFT TRUCK	NORTHERN	006	096
8431	INDUSTRIAL	RON-32779 B.G.R.	036	123
8432	TRACTOR	C.N.H. 929892 (Ti75)	028	094
8434	GENERATING ELECTRICAL PLANT		037	124
8437	SERIES MX, ALSO FITS, IRRIGATION POWER UNITS	NORTHERN 211037, 244295A1, 135691A3, 135690A3	026	022
8441	POWER UNIT		038	076
8442	LIGHT PLANT	BARNES C.B. 31100125	039	076
8443	3800, 4100, 4200, 4300, 4400, 7300, 7400, 7500, 8500	NORTHERN 239019, 2001-3548, NAV27, 640019, 2506891C91	049	066
8444	KENWORTH T-300, T-370 11-14 / PETERBILT 330, 337, 348 11-12	NORTHERN 238651, 2001-3809, KEN30, 770041AP, OEM:F316164110120G	024	081
8447	HARRIS MODEL 44	NORTHERN 212087, OEM:763554M91	009	091
8448	4000, 4300, 4400, 8000, 8500 08-11 / FORD F650, F750 08-12	NORTHERN 239081, NAV30, 2001-3534, OEM:2593303C91	050	066
8449	FARMOLL 504	OE 377090, R92	018	056
8450	DURASTAR SERIES 4000, 8000 08-11 / FORD F650, F750 08-11	NORTHERN 238725, 2001-3551, 640098, 2593302C91	051	066
8453	INDUSTRIAL	BGR 33714	038	124
8456		770032 NORTHERN	019	099
8457	WX & ACX SANITATION TRUCK 07-13	NORTHERN 238732, 800076, S8076, AUT02	005	016
8458	INDUSTRIAL POWER UNIT	BARNES Kr2 3XNV88	039	124
8459	C4500, C5500, C6500 KODIAK, TOPKICK 03-07	NORTHERN 239023, GMC34, 580033, OEM:SCSI239023	002	052
8460	357 03-06 & 385 W/CUMMINS 03-07	NORTHERN 238640, 7700-32, PET23, 0706657A047	020	099
8469	LIFT TRUCK	GDP20, GDP25, GDP30	009	055
8470	TRUCK		003	052
8471	LIFT TRUCK		010	055
8472	320/HEAVY DUTY TRUCK 93-07	239037	021	099
8473	4900 SERIES WA-WB MODELS 07-14	NORTHERN 238688, WS05, 800086, OEM:1A19720, 052315001	003	114
8475	PROSTAR & TRANSTAR W/ MAXXFORCE 08-16	NORTHERN 238812, TX-1008475-RAD, 2601280C91	052	066
8476	INDUSTRIAL		040	124
8477	INDUSTRIAL	BGR	041	124
8478	LIFT TRUCK	246075	042	124
8488	P2300	AP 33079	040	076
8489	KR-7L	31100035	043	125
8491	KR-3	31100038	044	125
8492	TRACTOR S10	82988918	029	094
8493	INDUSTRIAL	33961	045	125
8494	INDUSTRIAL	34223	046	125
8495	INDUSTRIAL	33990	047	125
8496	LIFT TRUCK		011	055
8498	INDUSTRIAL	34238	048	125
8499	379 EX & XL SPECIAL EDITION 07-10	NORTHERN 238819, 7700-415, OEM:0706657A073	022	099
8500	WORKER 09-12	VW17-250, 2VR121253	003	108
8501			015	026
8502	JCB 99-00		016	026
8505	CASCADIA 113 & 125 12-15	NORTHERN 238713, 2001-1755, FRE108AP, OEM:0530990001	052	050
8506	INDUSTRIAL		049	126
8513	7030, 7040, 7050, 7060	238704	053	066
8514	WESTERN	238600	004	114

CODE PHAR	APPLICATION	REFERENCES	DRAW NUMBER	PAGE
8515	ANDARE 2011	SIMILAR 8345	021	093
8516	INDUSTRIAL	POWER UNIT	050	126
8517	INDUSTRIAL	V 25 BD	051	126
8518	DURASTAS SERIES 4000 10-14 / FORD F650, F750 11-15	NORTHERN 238704, 6400-98, 615RA098, OEM:2601251C93	054	066
8519	JD-03-3	3029 TF150	041	076
8520	INDUSTRIAL	35542	052	126
8521	SUPER AERO	CITY GNC	017	056
8522	INDUSTRIAL	BGR V18	053	126
8523	INDUSTRIAL	V 20 DD	054	126
8524	FORKLIFT	3EC04A6210 NORTHERN	025	082
8525	FORKLIFT	246313 / 246314	023	093
8526	INDUSTRIAL	4L3779	055	127
8528	H110 FT 11500 LBS		012	055
8529	BOXER / AYCO MAGNO 96-02 MOTORES 190 & 210 H.P.	63424, 97685	022	093
8530	XPEDITOR	DURALITE	021	111
8531	LIFT TRUCK & FORKLIFT	NORTHERN 246213, 1329169	013	056
8532	INDUSTRIAL	Vo7 7.5 HP 300 HP VGR	056	127
8533	INDUSTRIAL	BT-0005-GR BGR	057	127
8534	INDUSTRIAL	BT-0043-65 BGR	058	127
8536	KENWORTH T-400B, T-450B, T-600A, T-800	NORTHERN 238753	026	082
8537	INDUSTRIAL	5 HP 75 HP 10 HP BGR	059	127
8538	INDUSTRIAL	BTCU-GTA 12 BGR	060	127
8540	INDUSTRIAL	H50 BGR	061	128
8541	MOTOR MERCEDES 12.8 L	4900FR	005	114
8542	INDUSTRIAL	BT-0028-4R BGR	062	128
8543	INDUSTRIAL	BT-0049-51 BGR	063	128
8546	INDUSTRIAL	BTCU-00855 BGR	064	128
8547	AJAX OIL PUMP WITH 7.25L, 8.5L ENGINES	NORTHERN 245968	065	128
8548			042	076
8557	MR 600	239396 NORTHERN	017	086
8560	LIFT TRUCKS	246268 NORTHERN	012	115
8561	CATERPILLAR FORKLIFT GC20K, GC25K, GC30K, FGC20K, FGC25K, FGC30K	NORTHERN 246110, OEM: 9360120400 , 9360130400 , 9360100400 , 9360110400	014	056
8562	GP 3116, 3208, 3300	OEM: 133-9673, 3N-2790	017	026
8564	MUSCLE CAR CORVETTE 77-82 WITH V8 ENGINE	NORTHERN CR717 ALUMINIUM 205066, SPECTRA Cu717	016	030
8566		38296-1V-15 BGR	066	128
8567		BT-0006-81 BGR	067	129
8568	TRACTOR	219502 NORTHERN	055	067
8569		BT-0078-81 BGR	068	129
8570	TRACTOR	211102 NORTHERN	005	084
8571	AGRICOLA	219556 NORTHERN	041	040
8572	Te20, TEA20, TO20, TO30, TO35, 35 GAS, 202 GAS	219560 NORTHERN	010	091
8574		BT-0079-8M BGR	069	129
8575		BT-0035-7R BGR	070	129
8576		BT-0054-61 BGR	071	129
8577	TRACTO	INTERNATIONAL 239000	056	67
8578		BT-0075-81 BGR	072	129
8581		BT-0083-6Y BGR	073	130
8582		BT-0081-6Y BGR	074	130
8583	INDUSTRIAL	V-10 BGR	075	130
8584	INDUSTRIAL	BT-0086-51	076	130
8585	INDUSTRIAL	BT-0087-6Y BGR	077	130
8586	INDUSTRIAL	BT-0074-7M BGR	078	130
8587	INDUSTRIAL	39007-1 BGR	079	131
8588	INDUSTRIAL	ROCK CRUSHER NORTHERN	080	131
8589	INDUSTRIAL	39007-1 BGR	081	131
8591	CONSTRUCTION LEADERS	RETRO CASE 621E, 721D, 721E 03	027	022
8592	TRACTO INTERNATIONAL	WORKS STAR 7300, 7600, 7700 SERIES 08-11	056	067
8593	INDUSTRIAL	BT-0096-6Y BGR	079	131
8594	INDUSTRIAL	BT-0017 BGR	080	131
8596	INDUSTRIAL	BT-0045-4I5I	084	131
8597	INTERNATIONAL	87 KEYSTON	058	67
8598	INDUSTRIAL	BT-0089-6Y BGR	085	132
8599A	INDUSTRIAL	BT-0039A-71 BGR	086	132
8599	INDUSTRIAL	BT-0039B-71 BGR	087	132
8600AC/JW	INDUSTRIAL	BT-0101-81 BGR	088	132
8604	INDUSTRIAL	BT-0009-5N BGR	089	132
OIL COOLERS			132	
ALUMINIUM				
A5967	SERIES 2500, 2600, 8200, 9200, 9300, 9400		001	134
A6003	VN, VNL SERIES TRUCK 2000	8000-09, VOL09, 2001-4603, 239381, 8000-09 WF, 239332, VOL09F	002	134
A6120	TRUCK 98-02, CENTURY CLASS COLUMBIA	437157TNP	003	134
A8035	BUS 7550 01-03		004	134
A8039	P94 / P114 / P144 / P124 / 95-03		005	134

CODE PHAR	APPLICATION	REFERENCES	DRAW NUMBER	PAGE
A8042	LIFT TRUCK		006	134
A8047	CENTURY CLASS COLUMBIA 98-02		007	135
A8059	COLUMBIA	800022, FRE22, 239336, SRM8056-F, FRE22F	008	135
A8075	CNX VISION/VN SERIES AUT	800040, VOL40, 239311, 80040WF, 2001-4605	009	135
A8091	CX / ZXN 612		010	135
A8107	SERIES 8100, 4900, 500 SFA		011	135
A8202	BUS VOL 18.800018		012	135
A8238			013	136
A8240	SERIES 9800		014	136
CHARGE AIR COOLERS				137

FINAL INFORMATION

PHAR Radiators presents the information in this catalog as a service to our customers and others users.

However, since **PHAR** Radiators is providing information for a constantly changing industry, we can make no warranty or guarantee concerning the accuracy or reliability of the information contained within this catalog. We strongly advise you to always verify specific pieces and part number information.

PHALAR

A stylized orange graphic element resembling a ribbon or wave, positioned above the text. It starts with a sharp point on the left, curves upwards and to the right, then downwards and to the right, and finally upwards and to the right again, ending in a sharp point on the right. The color is a vibrant orange.