

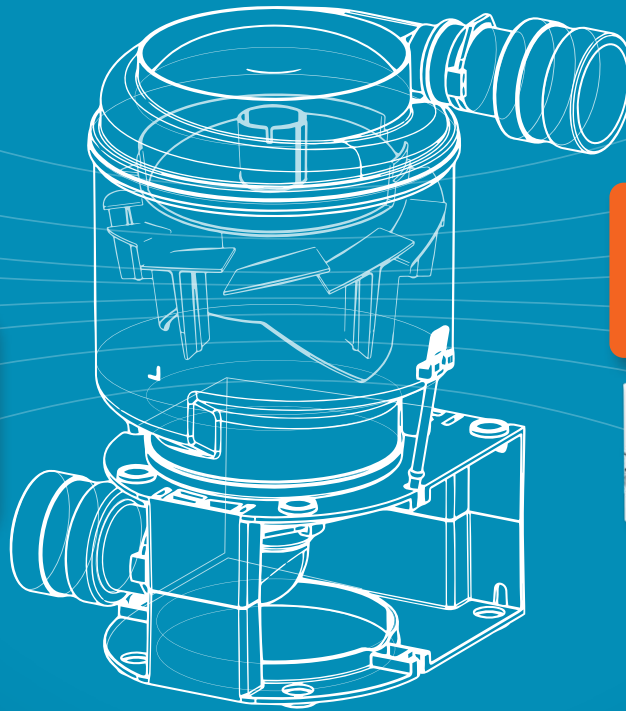
A new and advanced amalgam separator just in time for the EPA Deadline

\$599
MSRP

+

\$200
REBATE

with proof of installation



+ **FREE**
Amalgam
Recycling System

\$149
VALUE



2

MONTHS LEFT
for EPA Amalgam compliance

The **ECO II+** Amalgam Separator Bundle

- Higher flow rate supports 10 operatories
- Compatible with dry and wet vacs
- Easier, quicker install
- No maintenance required & lifetime warranty
- Larger inner/outer outlets with multi-adaptors 1.5" and 2"
- Free compliance management software



Use Promo Code:
ECOII+BUNDLE

Valid 4/1/2020 to 6/30/2020



CoyneMed 
Medical & Dental Equipment
Sales, Service & Repair

(727) 735.1895 or info@coynemed.com