

OMEGALIFT™ EQUIPMENT





TABLE OF CONTENTS

HYDRAULIC BOTTLE JACKS			
Screw type	6		
Welded	6		
Air operated	6		
Technical specifications	7		
HYDRAULIC SERVICE JACKS			
Aluminum	8		
Garage	9		
Heavy duty	10		
High Lift	11		
Low profile	12/13		
Technical specifications	14/15		
HYDRAULIC SERVICE JACKS LONG CHASSIS			
Manual operated	16		
Air operated	17		
AIR OPERATED AXLE JACKS			
Mobile	19		
2-stage	19		
3-stage	20		
Short chassis	21		
High Tonnage	22/23		
Technical specifications	24/25		
JACK STANDS			
Ratched	26		
Heavy duty	26/27		
Under hoist stand	27		
Technical specifications	28		
TRANSMISSION JACKS			
Pit jacks	29		
Telescopic	30		
Floor type	31		
Technical specifications	32		
ENGINE CRANES			
Engine cranes 1 Ton / 2 Ton	33		
Technical specifications	34		
LONG JACKS			
Long jacks	35		
Technical specifications	35		
ENGINE STAND & SUPPORTS			
Engine stand 500 kg	36		
Engine support 300 kg	36		
Engine support 500 kg	36		
Equalizer	36		
Technical specifications	37		
BODY REPAIR KITS			
Body repair kits	38		
BENCH, SHOP PRESS			
Bench press	39		
Shop press	39		
PUMPS & CYLINDERS			
Hydraulic hand pump	40		
Air actuated pump	40		
Hydraulic cylinders	40		
Pull cylinders	40		
Technical specifications	40		
3-IN-1 CAR DOLLY			
3-in-1 car dolly	42		
TYRE HANDLING EQUIPMENT			
Move jack	43		
Wheel dolly	43		
Bead breaker	43		
Technical specifications	44		
WHEEL ARM			
Wheel arm	45		
INDEX			46
WARRANTY			47

OMEGA LIFT EQUIPMENT™

MAGIC LIFT

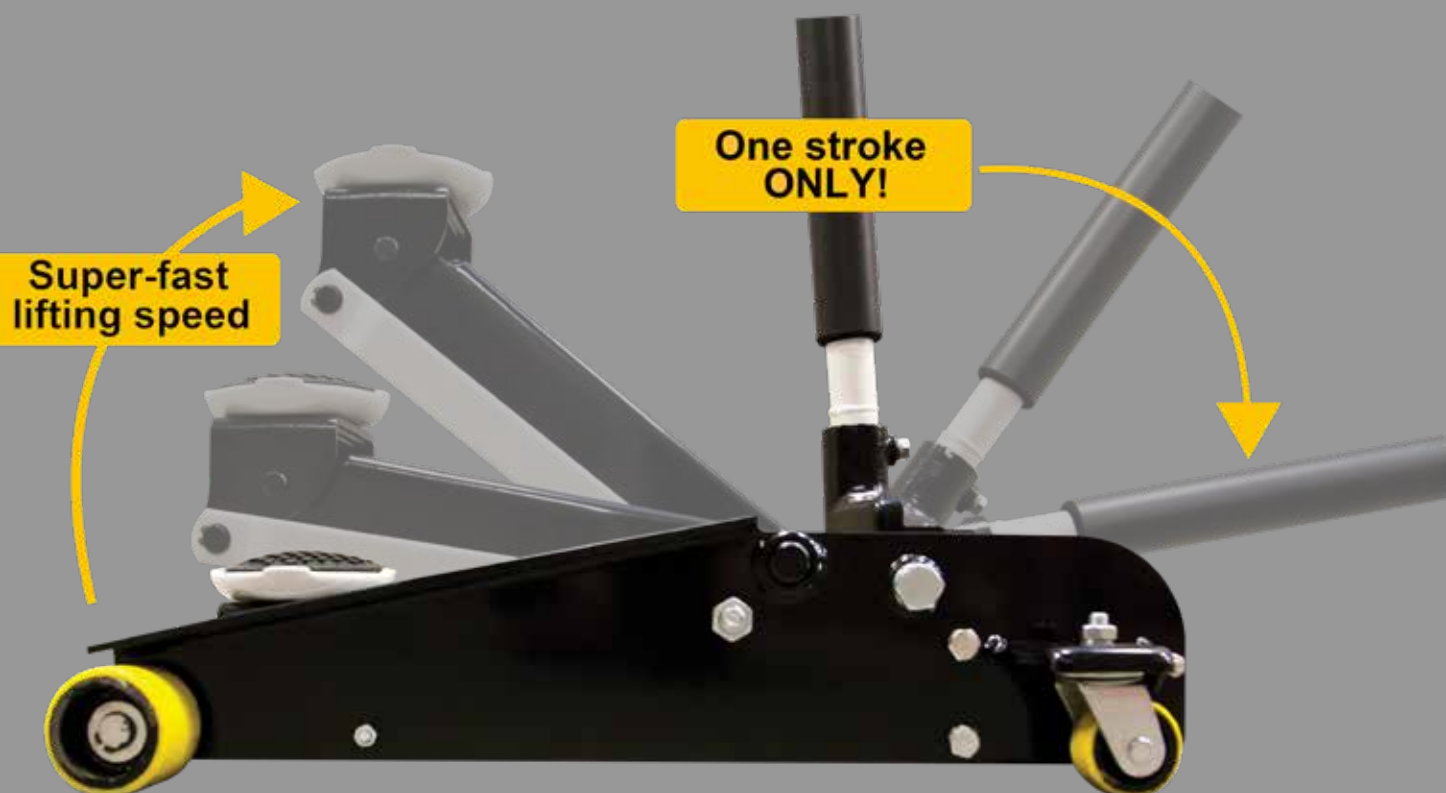
Omega Lift Equipment™

Omega Lift Equipment is a premium line of commercial quality lifting and workshop equipment. The equipment is designed with patented, unique features and offers ease of usability and durability. Omega Lift Equipment creates products with the current CE standards in mind. Omega Lift Equipment offers affordable, dependable, and quality product to the commercial marketplace. All Omega Lift Equipment are warranted against defects in material and workmanship for a period of two (2) years (from the date of purchase).

Magic Lift™

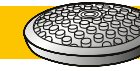
- Magic Lift for fast and time-saving operation.
- Reaches the lifting point with only one stroke.

Magic Lift™



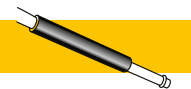
GENERAL FEATURES

Saddle pad



Patented air vented soft saddle pad prevents vehicle's chassis against scratching.

Soft Handle Foam



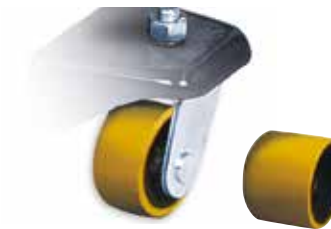
Soft Foam for extra protection. Prevents handle from accidentally damaging the car.

Full cover Saddle pad



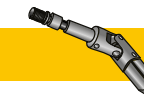
Patented air vented soft saddle pad prevents vehicle's chassis against scratching.

PU-Wheels



PU-Wheels for easy and silent moving prevent damage to oil tight garage floors.

Universal Joint Mechanism



Universal Joint release mechanism provides precision control of load descent in any handle position.

Nylon Wheels



Nylon wheels for easy and silent moving prevent damage to oil tight garage floors.

Air Vent Valve or Oil Filler Plug



Exclusive designed breather plug automatically eliminates air in the hydraulic system, optimizing the jack's performance.

Metal Wheels



Metal wheels, long lasting and strong.

HYDRAULIC BOTTLE JACKS - HEAVY DUTY

SCREW TYPE - WELDED - AIR OPERATED



Hydraulic bottle jacks - screw type

Model: 1102500 - 1104500 - 1106500 - 1108500 - 1112500 - 1112900 1120500 - 1120900 - 10500 - 10990

- 2 - 100 Ton
- With easy adjustable extension screw (2-20 Ton).
- With rubber removable carry ring for easy storage of pump handle (2-20 Ton).
- Safety valve against overloading.
- Bottle Jacks 8 Ton and more are supplied with a carry handle.

Hydraulic bottle jacks - welded

Model: 1412000 - 1420000 - 1430000

- 12 - 20 - 30 Ton
- With easy adjustable extension screw.
- Safety valve against overloading.
- Bottle Jacks are supplied with a carry handle.



Air operated bottle jacks

Model: 18202C - 18206C - 17302C

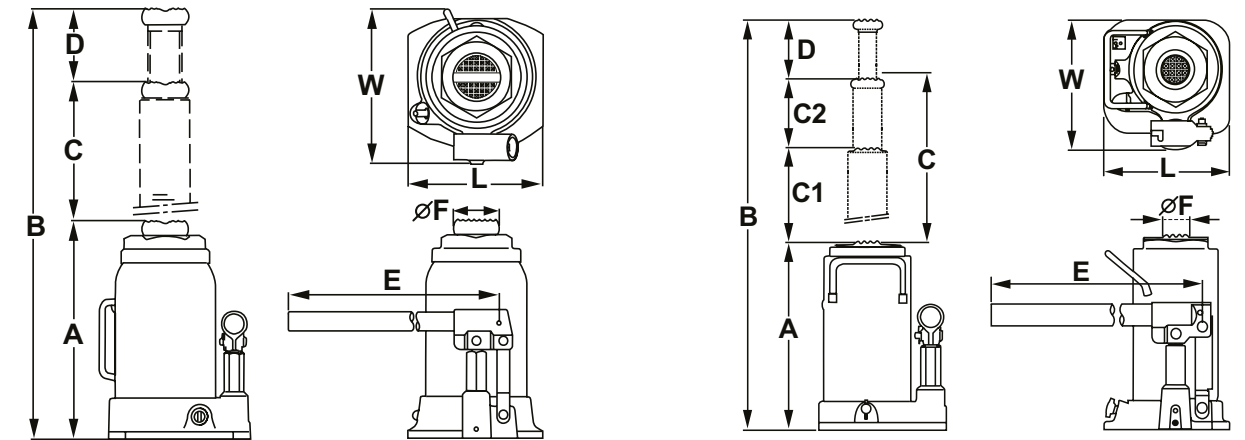
- 20 - 30 Ton
- 8 - 12 bar suggested air pressure for optimal performance.



TECHNICAL SPECIFICATIONS

HEAVY DUTY - SCREW TYPE

Model Capacity	1102500 2 Ton	1104500 4 Ton	1106500 6 Ton	1108500 8 Ton	1112500 12 Ton	1112900 12 Ton	1120500 20 Ton	1120900 20 Ton	10500 50 Ton	10990 100 Ton
A (mm)	184	208	221	231	240	157	244	169	305	305
B (mm)	349	393	434	451	470	274	474	286	483	461
C (mm)	110	125	133	150	150	77	150	77	178	156
D (mm)	55	60	80	70	80	40	80	40	-	-
E (mm)	340	448	448	460	460	460	460	460	593	600
F (mm)	25	27	31	34	43	43	52	52	79	113
L (mm)	100	109	118	120	140	164	138	164	275	305
W (mm)	98	100	105	122	130	154	130	150	198	238
N.W. (kg)	3.0	4.0	5.0	6.2	8.0	6.3	12.5	9.6	50.4	90.6



HEAVY DUTY - WELDED

Model Capacity	HEAVY DUTY - WELDED			HEAVY DUTY - AIR OPERATED		
	1412000 12 Ton	1420000 20 Ton	1430000 30 Ton	18202C 20 Ton	18206C 20 Ton	17302C 30 Ton
A (mm)	241	249	268	247	245	280
B (mm)	469	475	480	477	478	458
C (mm)	150	150	155	130	80	180
C1 (mm)	-	-	-	-	-	-
C2 (mm)	-	-	-	-	-	-
D (mm)	78	76	57	100	153	-
E (mm)	345	452	695	600	600	965
F (mm)	42	76	67	48	52	62
L (mm)	138	160	190	216	230	260
W (mm)	106	150	152	184	173	210
N.W. (kg)	8	12.5	20	17.0	17.6	27.5

HYDRAULIC SERVICE JACKS

ALUMINUM



Hydraulic service jack
2701201

Aluminum
Cap: 1.25 Ton
Max: 354mm
Min: 89mm



double piston

Hydraulic service jack
2702501

Aluminum – Steel
Cap: 2.25 Ton
Max: 470mm
Min: 95mm



MagicLift™



Hydraulic service jack
2602801

Aluminum
Cap: 2.7 Ton
Max: 470mm
Min: 95mm



MagicLift™

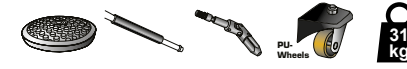
HYDRAULIC SERVICE JACKS

GARAGE



Hydraulic service jack
2803001

Cap: 3 Ton
Max: 356mm
Min: 120mm



double piston



Hydraulic service jack
2103101

Cap: 3 Ton
Max: 354mm
Min: 89mm

• Foot pedal



MagicLift™



Hydraulic service jack
2903101

Cap: 3 Ton
Max: 460mm
Min: 120mm



MagicLift™

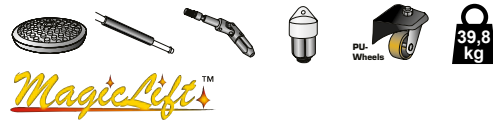
HYDRAULIC SERVICE JACKS

HEAVY DUTY



Hydraulic service jack
2903701

Cap: 3.2 Ton
Max: 558mm
Min: 140mm



MagicLift™

Hydraulic service jack
2903011

Cap: 3.5 Ton
Max: 533mm
Min: 100mm



MagicLift™



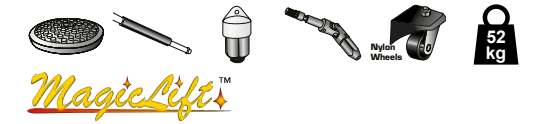
HYDRAULIC SERVICE JACKS

HIGH LIFT



High Lift
2501503

Cap: 1.5 Ton
Max: 815mm
Min: 100mm



MagicLift™

High Lift
28045

Cap: 4 (5)Ton
Max: 435 (765)mm
Min: 55 (430)mm



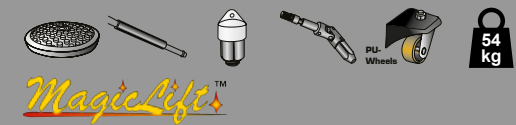
MagicLift™





HYDRAULIC SERVICE JACK
2901301

Cap: 1.35 Ton
Max: 505mm
Min: 65mm



LOW PROFILE



NEW

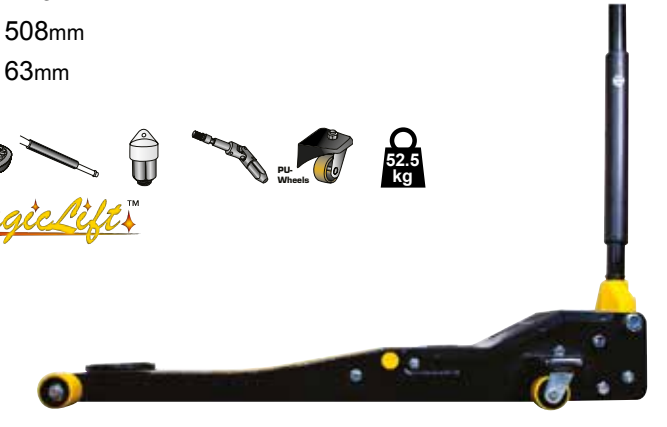


HYDRAULIC SERVICE JACKS
LOW PROFILE



Hydraulic service jack
2902301

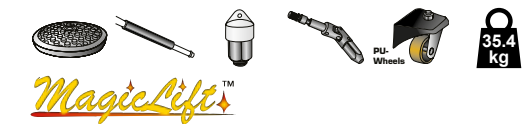
Cap: 2 Ton
Max: 508mm
Min: 63mm



NEW

Hydraulic service jack
2103201

Cap: 3 Ton
Max: 500mm
Min: 85mm
• Foot pedal

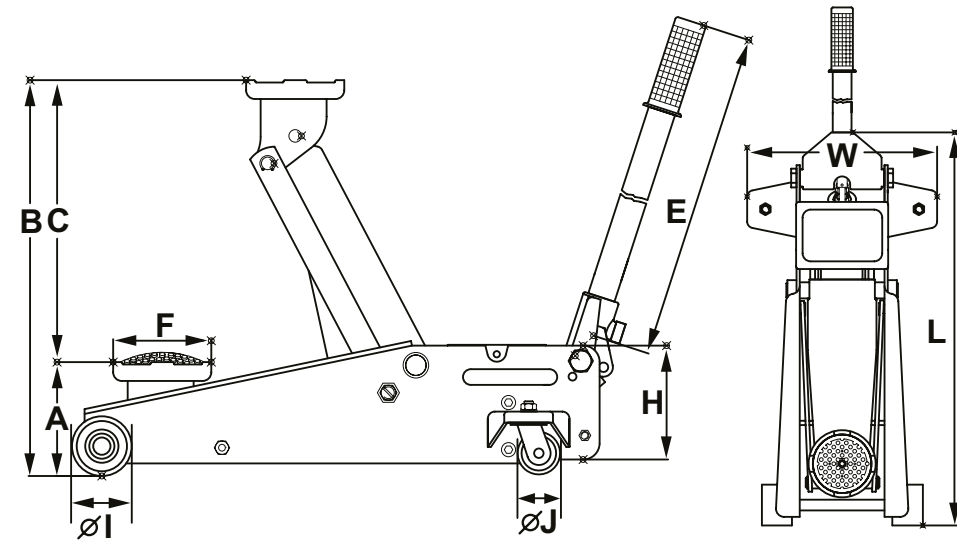


Hydraulic service jack
2903201

Cap: 3 Ton
Max: 500mm
Min: 85mm



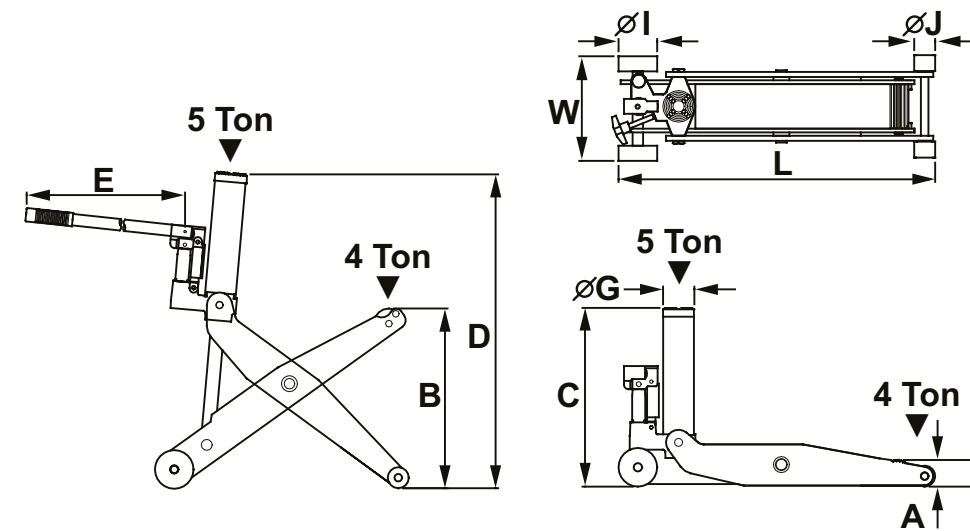
TECHNICAL SPECIFICATIONS



HYDRAULIC SERVICE JACKS

Model Capacity	ALUMINUM			GARAGE		
	2701201 1.25 Ton	2702501 2.25 Ton	2602801 2.7 Ton	2803001 3 Ton	2903101 3 Ton	2103101 3 Ton
A (mm)	89	95	95	120	120	120
B (mm)	354	470	470	456	460	460
C (mm)	265	375	375	336	340	340
E (mm)	946	1146	1210	1145	1150	1150
F (mm)	99	99	99	110	110	110
I (mm)	49	65	65	79	80	85
J (mm)	40	45	49	58	43	48
L (mm)	553	670	717	680	678	757
W (mm)	238	302	332	334	334	334
H (mm)	142	156	158	162	161	161
N.W. (kg)	15	25	26	31	32.3	32.7
Soft Saddle Pad	x	x	x	x	x	x
Universal Joint	x	x	x	x	x	x
Air vent Plug	-	x	x	-	x	x
Wheels	PU	PU	PU	PU	PU	PU

TECHNICAL SPECIFICATIONS



HEAVY DUTY		HIGH LIFT		LOW PROFILE			
2903701 3.2 Ton	2903011 3.5 Ton	2501503 1.5 Ton	28045 4 Ton	2901301 1.35 Ton	2902301 2 Ton	2103201 3 Ton	2903201 3 Ton
140	100	100	55	65	63	85	85
558	533	815	435	505	508	500	500
418	433	715	430	440	445	415	415
1320	1320	1342	765	1260	1320	1320	1320
125	110	140	750	110	125	110	110
85	85	92	75	60	60	72	72
40	40	58	100	58	58	40	40
758	738	1029	50	1257	1078	768	692
351	344	385	755	399	349	344	344
165	161	170	255	170	175	158	158
39.8	38.9	52	38.5	54	52.5	35.4	38
x	x	x	-	x	x	x	x
x	x	x	-	x	x	x	x
x	x	x	-	x	x	x	x
PU	PU	Nylon	Metal	PU	PU	PU	PU

HYDRAULIC SERVICE JACK LONG CHASSIS - MANUAL OPERATED

Long chassis

25057

Cap: 5 Ton

Max: 565mm

Min: 165mm

• Foot pedal



MagicLift™



HYDRAULIC SERVICE JACK LONG LONG CHASSIS - AIR OPERATED

Can be used in 3 ways
by air - by handle - by foot pedal

Long chassis

22101C

Cap: 10 Ton

Max: 686mm

Min: 176mm

• Foot pedal



Long chassis

25107

Cap: 10 Ton

Max: 686mm

Min: 175mm

• Foot pedal



MagicLift™



Long chassis

22201

Cap: 20 Ton

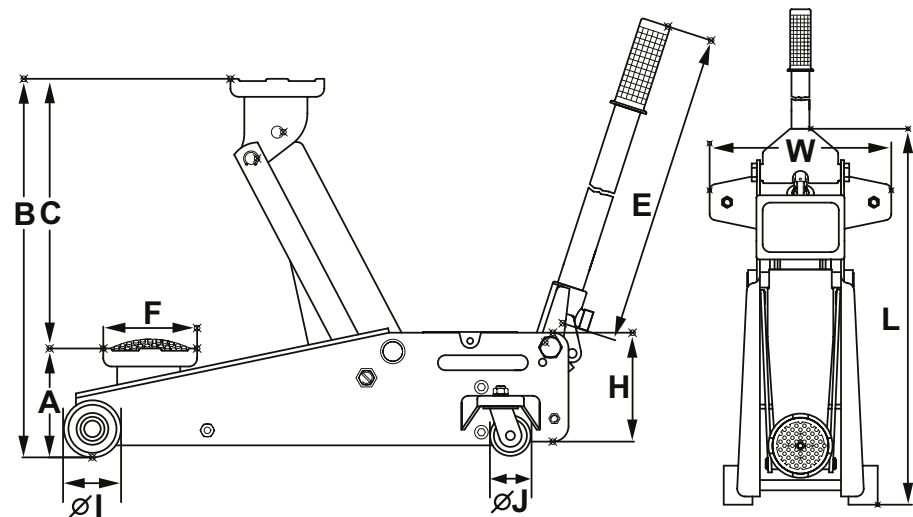
Max: 660mm

Min: 190mm

• Foot pedal



TECHNICAL SPECIFICATIONS



HYDRAULIC SERVICE JACKS LONG CHASSIS

Model Capacity	MANUAL OPERATED		AIR OPERATED	
	25057 5 Ton	25107 10 Ton	22101C 10 Ton	22201 20 Ton
A (mm)	165	175	178	190
B (mm)	565	686	686	660
C (mm)	400	511	508	470
E (mm)	1068	1215	1069	1346
F (mm)	150	150	188	155
I (mm)	110	130	150	150
J (mm)	70	100	100	100
L (mm)	1368	1419	1390	1580
W (mm)	465	470	507	517
H (mm)	281	245	324	300
N.W. (kg)	91.5	130.0	163	220
Soft Saddle Pad	x	x	-	-
Universal Joint	x	x	-	-
Air vent Plug	x	x	-	-
Wheels	Metal	Metal	Metal	Metal

AIR OPERATED AXLE JACKS

MOBILE / 2-STAGE



Mobile

23152

Cap: 15/30 Ton
Max: 289mm
Min: 150mm

- Compact low profile design
- Working air pressure: 8-12 bar
- Adapters included.



Air return handle



2-Stage
23212

Cap: 15/30 Ton
Max: 289mm
Min: 150mm

- Compact low profile design
- Working air pressure: 8-12 bar
- Adapters included.



AIR OPERATED AXLE JACKS

3-STAGE



3-Stage
24213

Cap: 20/40/60 Ton
Max: 327mm
Min: 150mm

- Adapters included.
- Air return handle.



120mm 75mm 45mm 30mm



3-Stage
24113

Cap: 10/20/40 Ton
Max: 289mm
Min: 130mm

- Adapters included.
- Air return handle.



120mm 75mm 45mm 30mm

AIR OPERATED AXLE JACKS

SHORT CHASSIS



Axle jack
23205

Cap: 20 Ton
Max: 495mm
Min: 260mm

- Air return handle.
- Extension screw.

Axle jack
23211

Cap: 20 Ton
Max: 441mm
Min: 215mm

- Adapters included.
- Extension screw.



20mm 50mm 100mm



Axle jack
23207

Cap: 20/35 Ton
Max: 344mm
Min: 186mm

- Adapters included.



10mm 70mm 120mm

AIR OPERATED AXLE JACKS HIGH TONNAGE



Axle jack
23301C

Cap: 30 Ton
Max: 458mm
Min: 280mm

- Compact, low profile design.
- Working air pressure 8-14 bar.



Axle jack
23501

Cap: 50 Ton
Max: 483mm
Min: 305mm

- Compact, low profile design.
- Working air pressure 8-14 bar.



Axle jack
23991

Cap: 100 Ton
Max: 461mm
Min: 305mm

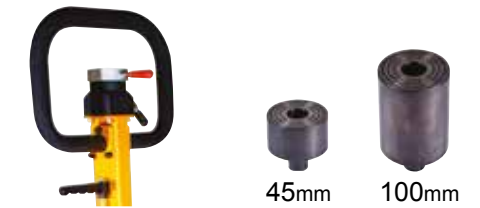
- Compact, low profile design.
- Working air pressure 8-14 bar.

AIR OPERATED AXLE JACKS HIGH TONNAGE

Axle jack
24301

Cap: 30 Ton
Max: 627mm
Min: 360mm

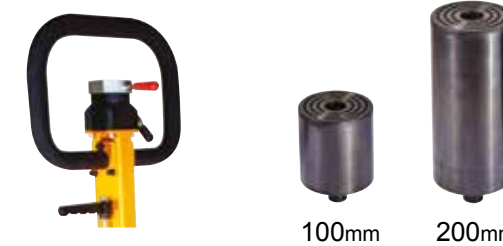
- Adapters 45mm - 100mm
- Air return handle.



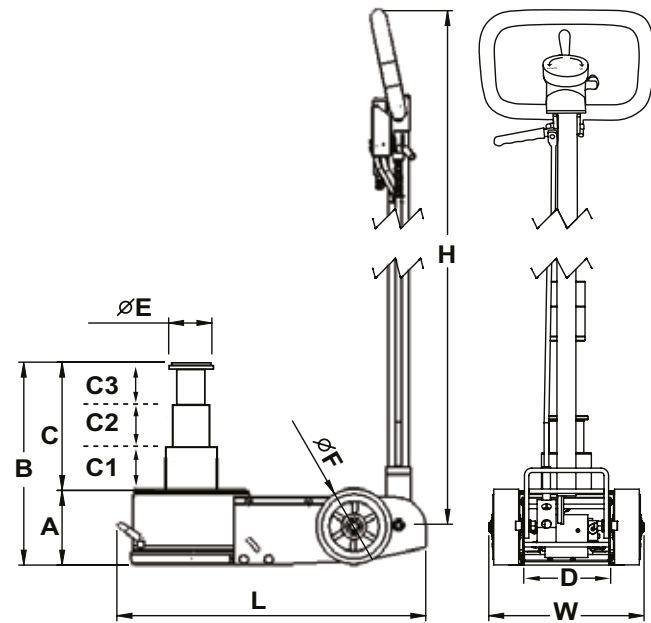
Axle jack
24601

Cap: 60 Ton
Max: 731mm
Min: 420mm

- Adapters 100mm - 200mm
- Air return handle.



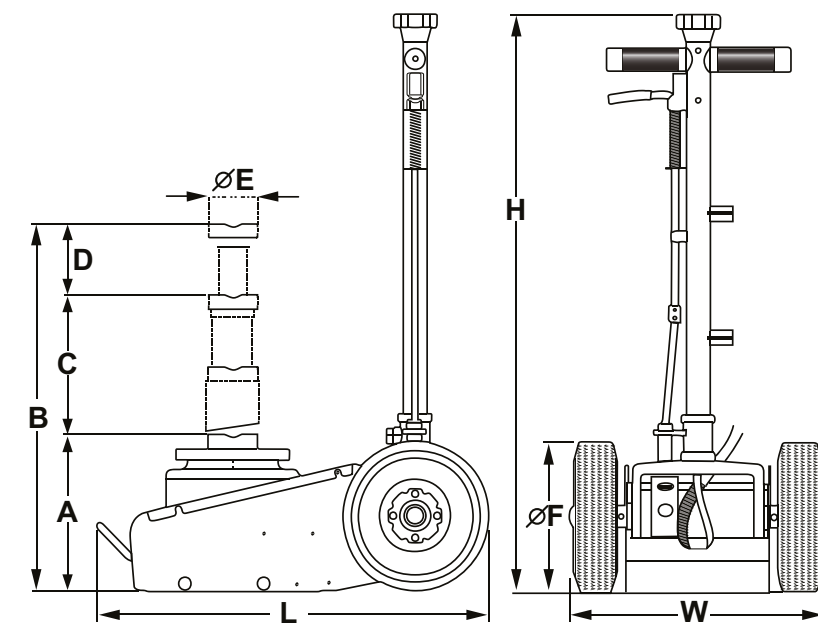
TECHNICAL SPECIFICATIONS



AIR OPERATED AXLE JACKS

Model Capacity	MOBILE	2-STAGE	3-STAGE	
	23152	23212	24213	24113
	15/30 Ton	20/40 Ton	20/40/60 Ton	10/20/40 Ton
A (mm)	150	150	150	130
B (mm)	289	289	327	289
Stroke C (mm)	139	139	177	159
C1 (mm)	73	73	57	57
C2 (mm)	66	66	59	49
C3 (mm)	-	-	61	53
D (mm)	176	186	215	179
E (mm)	70	70	70	70
F (mm)	65	160	150	125
L (mm)	490	480	875	830
W (mm)	290	290	295	295
H (mm)	500	1430	1510	1510
Adaptor 1 (mm)	75	120	120	120
Adaptor 2 (mm)	45	75	75	75
Adaptor 3 (mm)	-	45	45	45
Adaptor 4 (mm)	-	30	30	30
N.W. (kg)	24	47	76	50

TECHNICAL SPECIFICATIONS



SHORT CHASSIS			HIGH TONNAGE				
23205	23211	23207	23301C	23501	23991	24301	24601
20 Ton	20 Ton	20/35 Ton	30 Ton	50 Ton	100 Ton	30 Ton	60 Ton
260	215	186	280	305	305	360	420
495	441	334	458	483	461	627	731
135	141	148	178	178	156	267	311
-	-	-	-	-	-	-	-
-	-	-	-	-	-	-	-
100	85	-	-	-	-	215	295
71	43	70	62	79	113	70	90
200	165	204	200	204	254	200	200
547	525	549	547	549	586	840	910
315	265	351	317	351	416	282	362
1229	1240	1229	1229	1229	1258	1380	1380
-	100	120	-	-	-	100	200
-	50	70	-	-	-	45	100
-	20	10	-	-	-	-	-
-	-	-	-	-	-	-	-
33.4	30	49.5	43.5	72.3	112.5	87.0	87

JACK STANDS

RATCHED - HEAVY DUTY

Extra safety
LOCK PIN



Jack stands ratched

Model: 3203701 - 3206701 - 3212701

- 3 - 6 - 12 Ton
- One piece, iron ratchet bar provides super strength and durability.
- Quick adjustment ratchet mechanism.

SOLD IN PAIRS

Axle stands Heavy duty

3222500

Cap: 22 Ton

Max: 499mm

Min: 305mm

SOLD IN PAIRS



JACK STANDS

HEAVY DUTY - UNDER HOIST STAND

High stands Heavy duty

3210901

Cap: 10 Ton

Max: 1210mm

Min: 711mm

SOLD IN PAIRS



Under hoist stand

31501

Cap: 680 kg

Max: 2032mm

Min: 1397mm

Ratio: 1:7



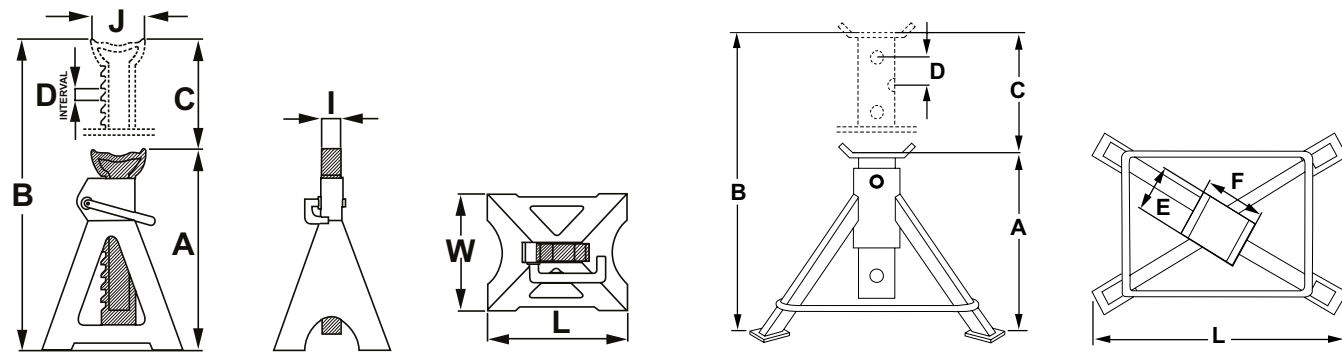
NEW



TECHNICAL SPECIFICATIONS

TRANSMISSION JACKS

PIT JACKS



JACK STANDS

Model	RATCHED			HEAVY DUTY		UNDER HOIST
	3203701	3206701	3212701	3222500	3210901	31501
Capacity	3 Ton	6 Ton	12 Ton	22 Ton	10 Ton	680 kg
A (mm)	285	405	505	308	711	1364
B (mm)	428	603	770	498	1194	2004
C (mm)	143	198	265	308	483	640
D (mm)	15	19.2	28.6	55	50	-
L (mm)	210	281	338	250	407	305
W (mm)	193	255	338	250	407	-
I (mm)	23	27.5	41.5	-	-	-
J (mm)	88	102	130	-	-	-
N.W. (kg)*	6.4	12.7	32.6	27.8	21.9	20

* Weight per pair

Saddle can be used in 2-ways



Supporting device

Model: M9409

- To support hub unit in combination with pit jacks 46030/46060
- Sold separately

Pit jack
46030

Cap: 300 kg
Max: 1280mm
Min: 825mm

MagicLift™



Pit jack
46060

Cap: 600 kg
Max: 1287mm
Min: 830mm

MagicLift™



TRANSMISSION JACKS

TELESCOPIC

Transmission jacks

41000C

Cap: 500 kg
Max: 2026mm
Min: 1016mm

- Manual operated



Transmission jacks

41001

Cap: 500 kg
Max: 2026mm
Min: 1016mm

- Working air pressure: 8 - 14 bar
- Manual-air operated



Transmission jacks

42001

Cap: 1000 kg
Max: 2163mm
Min: 1433mm

- Working air pressure: 8 - 14 bar
- Manual-air operated

TRANSMISSION JACKS

FLOOR TYPE

Transmission jacks

4110000

Cap: 500 kg
Max: 630mm
Min: 343mm

- Manual operated



Transmission jacks

4200000

Cap: 500 kg
Max: 850mm
Min: 320mm

- Manual operated



Transmission jacks

43000

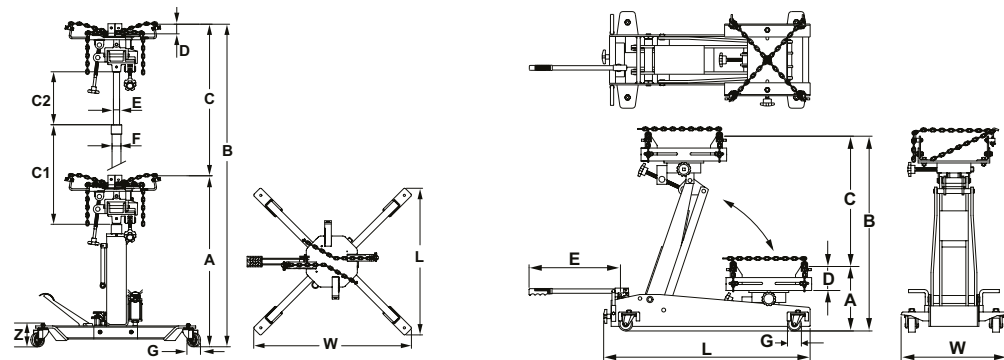
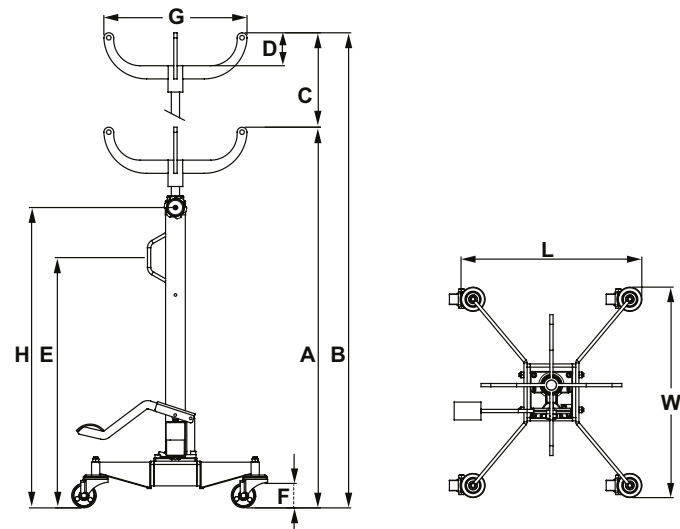
Cap: 1500 kg
Max: 1195mm
Min: 450mm

- Manual operated



PIT JACKS

Model	MAGIC LIFT	
	46030	46060
Capacity	300 kg	600 kg
A (mm)	1280	1287
B (mm)	2105	2097
C (mm)	825	830
D (mm)	100	100
E (mm)	900	873
F (mm)	76	76
G (mm)	315	315
L (mm)	575	575
W (mm)	543	543
H (mm)	1052	1028
N.W. (kg)	31.0	36.3



TRANSMISSION JACKS

Model	TELESCOPIC			FLOOR TYPE		
	41000C	41001	42001	4110000	4200000	43000
Capacity	500 kg	500 kg	1000 kg	500 kg	1000 kg	1500 kg
A (mm)	1016	1016	1433	343	320	450
B (mm)	2026	2026	2163	630	850	1195
C (mm)	1010	1010	730	400	650	745
C1 (mm)	490	490	-	-	-	-
C2 (mm)	520	520	-	-	-	-
D (mm)	55	55	198	114	120	250
E (mm)	35	35	45	570	570	740
F (mm)	47	47	-	-	-	-
G (mm)	79	79	100	58	73	100
L (mm)	840	840	1002	790	1038	1188
W (mm)	903	903	1069	380	485	650
N.W. (kg)	73.5	81.5	130.0	43.0	84.8	133.5

Engine cranes

Model: 44017 - 44018

- Capacity: 1000 kg
- 44017 with Magic Lift hydraulic unit.
- Foldable cranes.
- Operating handle with 270 degrees swiveling angle.
- HTR (Hold-To-Run) mechanism.



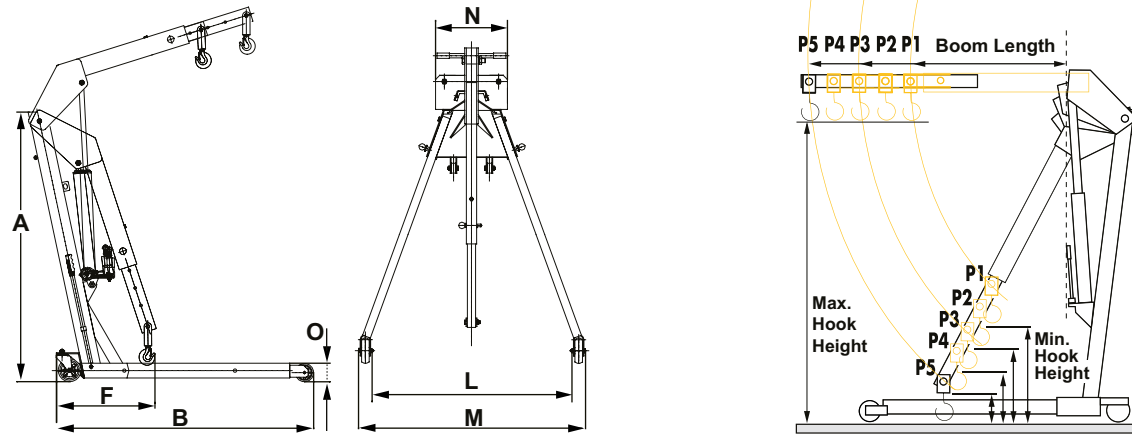
Engine crane

Model: 44020

- Capacity: 2000 kg
- Hard chrome plated piston rod.
- Built-in safety overload valve.
- Retractable front legs and lifting boom for easy storage.



TECHNICAL SPECIFICATIONS



ENGINE CRANES

Model Capacity	ENGINE CRANES		
	44017 1 Ton	44018 1 Ton	44020 2 Ton
A (mm)	1460	1460	1394
B (mm)	1525	1525	2305
F (mm)	570	570	1725
L (mm)	1060	1060	735
M (mm)	1200	1200	860
N (mm)	350	350	1350
O (mm)	100	100	89
N.W. (kg)	84.0	83.4	115
Wheels	PU	PU	Metal
Lifting Arm Position	5	5	4
Operating Swivel Handle	270°	270°	-
HTR (hold to run)	Yes	Yes	Yes
Magic Lift	Yes	No	No

	44017					44018					44020			
	P1	P2	P3	P4	P5	P1	P2	P3	P4	P5	P1	P2	P3	P4
Lock position of extension boom														
Capacity in kg	1000	900	800	700	600	1000	900	800	700	600	2000	1500	1000	500
Minimum hook height (mm)	439	341	243	145	0	439	341	243	145	0	465	355	235	127
Maximum hook height (mm)	1978	2022	2075	2131	2170	1978	2022	2075	2131	2170	1760	1905	2030	2200
Boom Length (mm)	620	720	820	920	1020	620	720	820	920	1020	1238	1465	1692	1919

HYDRAULIC LONG JACK

Hydraulic long jack

Model: 44943 - 44947 - 44949 - 44980

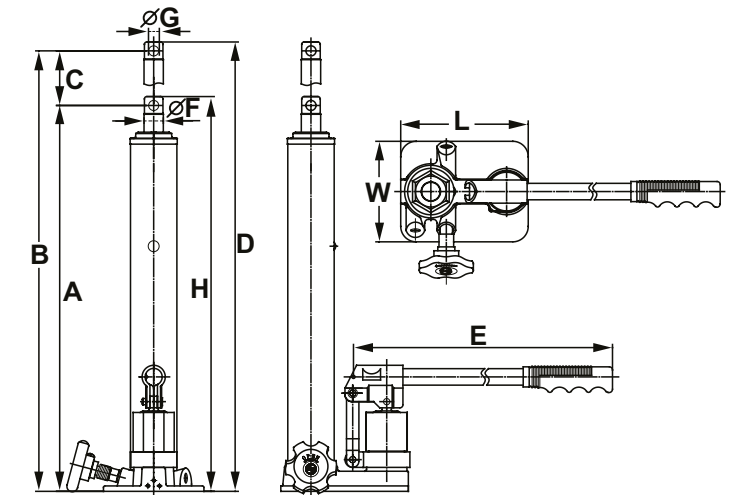
- Polished ram plunger and cylinder protect seals from abrasion.
- Built-in safety overload valve.

44943 - 4 Ton - for crane 44017 *MagicLift™*

44947 - 4 Ton - for crane 44012

44949 - 4 Ton - for crane 44018

44980 - 8 Ton - for crane 44020



HYDRAULIC LONG JACK

Model Capacity	HYDRAULIC LONG JACK			
	44943 4 Ton	44947 4 Ton	44949 4 Ton	44980 8 Ton
A (mm)	612	605	612	600
B (mm)	1120	1113	1120	1085
C (mm)	508	508	508	485
D (mm)	1137	1130	1137	1099
E (mm)	750	500	500	500
F (mm)	30	30	30	35
G (mm)	16.0	16.0	16.0	18.0
L (mm)	165	130	165	128
W (mm)	130	114	130	120
H (mm)	628	622	628	614
N.W. (kg)	12.7	9.9	11.4	13.5

ENGINE STANDS & SUPPORTS



Engine stand

Model: 31000

- Capacity: 500 kg
- Size: 808 x 800 x 878 (mm)
- Head plate locks in 8 positions and rotates 360°



Engine support

Model: 90068

- Capacity: 300 kg
- 1 spindle
- Size: 1500 x 205 x 310 (mm)



Engine support

Model: 90165

- Capacity: 500 kg
- 2 spindles
- Size: 1650 x 205 x 310 (mm)

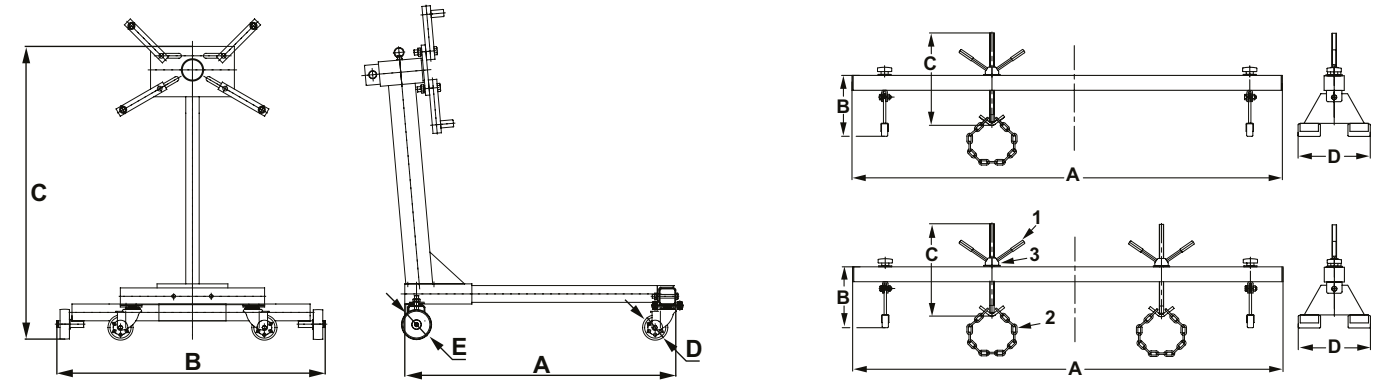


Engine support Equalizer

Model: 90150

- Capacity: 680 kg
- Optional for engine cranes
- To use in combination with engine cranes

TECHNICAL SPECIFICATIONS



ENGINE STAND & ENGINE SUPPORTS

Model	ENGINE STAND	ENGINE SUPPORTS	
	31000	90068	90165
Capacity	500 kg	300 kg	500 kg
A (mm)	808	1500	1650
B (mm)	800	205	205
C (mm)	878	310	310
D (mm)	75	243	243
E (mm)	89	-	-
Saddle Base	250x150	-	-
Min. Claw Area	292x122	-	-
Max. Claw Area	402x152	-	-
N.W. (kg)	23.0	12.5	16.0

BODY REPAIR KITS

Body repair kit

Model: 50040

- Capacity: 4 Ton
- Sets are portable for easy usage in shop or on the road.
- Designed for applications such as pushing, spreading and pressing of vehicle body panels as well as various component parts and assemblies.



Body repair kit

Model: 50100

- Capacity: 10 Ton
- Sets are portable for easy usage in shop or on the road.
- Designed for applications such as pushing, spreading and pressing of vehicle body panels as well as various component parts and assemblies.
- Handy tubing storage compartment design.
- With wheels

BENCH, SHOP PRESS

Bench press

Model: 65124

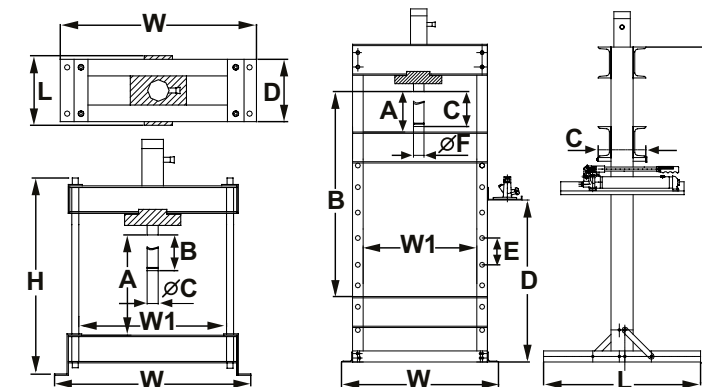
- Capacity: 12 Ton



Shop press

Model: 60253

- Capacity: 25 Ton



BENCH PRESS & SHOP PRESS

Model Capacity	PRESSES	
	65124 12 Ton	60253 25 Ton
A (mm)	378.5	63.5
B (mm)	153.6	869
C (mm)	33.3	165
D (mm)	175	800
E (mm)	-	115
F (mm)	-	219
H (mm)	725	1495
L (mm)	175	710
W (mm)	550	710
W1 (mm)	365	510
N.W. (kg)	49.1	119.2



Hydraulic hand pumps

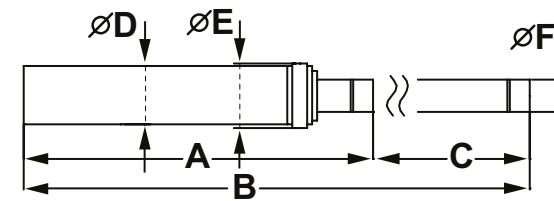
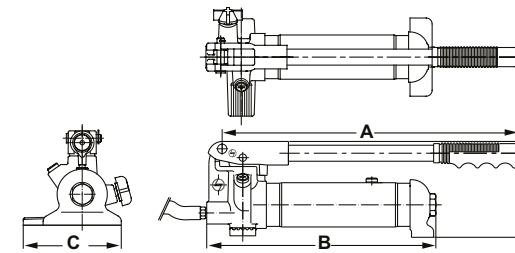
Model: 55040 - 55100

- Capacity: 4 Ton
- Built-in safety overload valve.

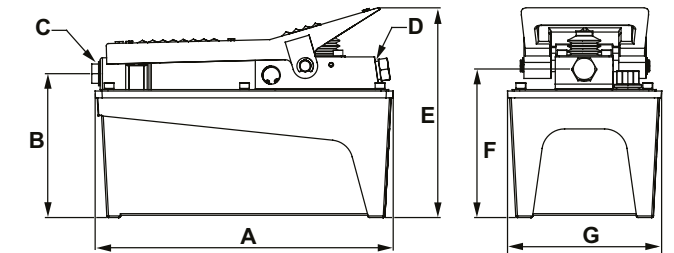
Air actuated treadle pump

Model: 22903

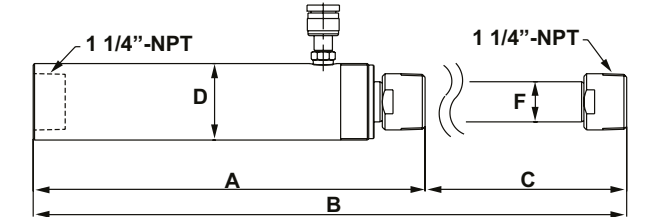
- Capacity: 1500cc / 700 bar
- Built-in safety overload valve.
- Durable lightweight aluminum reservoir.
- Foot pedal provides handsfree user-friendly operation.



55040 - 55100



22903



55049 - 55109

PUMPS & CYLINDERS

Model	HYDRAULIC HAND PUMPS		FOOT PUMP	HYDRAULIC CYLINDERS		PULL CYLINDERS	
	55040	55100	22903	55049	55109	71055	71105
Capacity	700 bar	700 bar	700 bar	4 Ton	10 Ton	5 Ton	10 Ton
Oil Capacity (cc)	270	770	1500	100	290	106	236
A (mm)	400	480	263	274	348	294	290
B (mm)	310	500	126	397	502	435	440
C (mm)	147	147	1/4" NPTF-18	123	154	141	150
D (mm)	130	130	3/8" NPTF-18	38	58	58	70
E (mm)	-	-	185	44	66	-	-
F (mm)	-	-	130	25	41	32	32
G (mm)	-	-	136	-	-	-	-
N.W. (kg)	6.1	7.2	8.2	1.8	4.9	3.8	5.5
Hose Length (mm)	13x1818	13x1818	-	-	-	-	-
Coupler	1/4" NPTF-18	1/4" NPTF-18	-	-	-	1/4" NPTF	1/4" NPTF
Pressure Rating (bar)	-	-	700	-	-	700	700
Output Flow Rate (cm ³ / min)	-	-	-	-	-	-	-
No Load	-	-	1075	-	-	-	-
Load	-	-	180	-	-	-	-
Air pressure range (Bar)	-	-	7-14	-	-	-	-

Hydraulic cylinders

Model: 55049 - 55109

- Capacity: 4 Ton - 10 Ton
- Internal plunger wipers help seal out dirt and a guide ring is designed to protect against side load damage.
- Industrial hard chrome plated ram helps to prevent rust and corrosion.
- Maximum working pressure: 700 bar / 10000psi.

55049 Also included in the auto body repair kit 50040.

55109 Also included in the auto body repair kit 50100. (page 38)



Pull cylinders

Model: 71055 - 71105

- Capacity: 5 Ton - 10 Ton



3-in-1 Car dolly

Model: 47020

- Capacity: 900 kg / piece
- Can support the vehicle in 3 different ways by the wheel / the pinch weld / the frame
- No adapters required
- Integrated frame adapters
- Locking casters
- No tools required
- Adapter secured with pins
- Easily stacked for convenient storage



3-IN-1



SOLD IN PAIRS

TYRE HANDLING EQUIPMENT MOVE JACK - WHEEL DOLLY - BEAD BREAKER

Move jack

Model: 90250

- Capacity: 680 kg / piece
- Ideal for manoeuvring cars in shops and showrooms.
- Rigid steel frame - 680 kg capacity per jack, 2720 kg capacity per 4 jacks set.
- Handle tyres from 12" / 305mm wide.
- Easy foot-pedal operation.

2 Jacks: allow full 1800 vehicle pivot.

4 Jacks: Place vehicle on 360° rolling platform.



Wheel dolly

Model: 47053

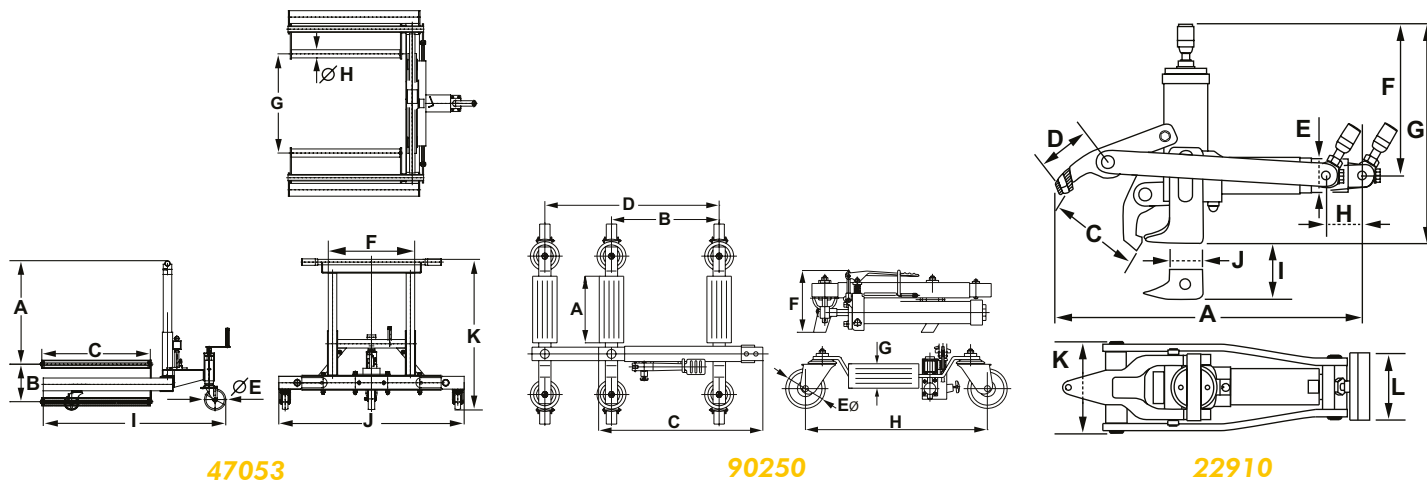
- Capacity: 680 kg
- Hydraulic system actuated to provide smooth, positive power for the removal and installation of single, tandem and duplex tyres and wheels.
- Adjustable cradle rollers and lifting height.



Bead Breaker

Model: 22910

- Capacity: 5 Ton
- Oil capacity: 250(cc)
- For single rimmed wheels, with a maximum rim size of 25"



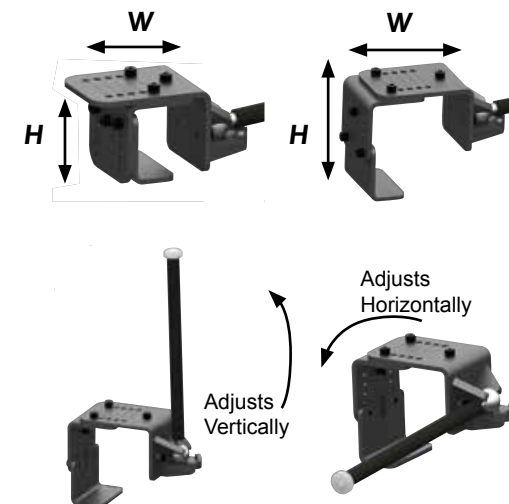
3-IN-1 CAR DOLLY & TYRE HANDLING EQUIPMENT

	CAR DOLLY	WHEEL DOLLY	MOVE JACK	BEAD BREAKER
Model	47020	47053	90250	22910
Capacity	900 kg	680 kg	680 kg	5 Ton
A (mm)	352	609	305	397
B (mm)	458	220	345	-
C (mm)	515	638	540	131.5
D (mm)	187	85	625	73
E (mm)	-	125	102	55
F (mm)	380	508	190	230
G (mm)	190	583	68	330
H (mm)	60	48	560	20
I (mm)	101	1073	-	95
J (mm)	-	1090	-	38
K (mm)	-	883	-	138
L (mm)	-	-	-	100
N.W. (kg)	36.2	68.0	35	14.0

Wheel arm 9210000

Cap: 45 kg
 Min width: 79mm Min height: 76mm
 Max width: 142mm Min height: 123mm

- The EZ Wheel Arm is a great accessory to hold tyres on a vehicle lift arm. With the adjustable design, it can easily be used on lift arms of various thickness. The bar can be folded up or sideways when not in use to save space.



capacity of 45 kgs

		INDEX			
Product nr.	Page	Product nr.	Page	Product nr.	Page
1		25057	16/18	44020	33/34
10500	6/7	25107	16/18	44943	35
10990	6/7	28045	11/15	44947	35
17302C	6/7	22101C	17/18	44949	35
18202C	6/7	23301C	22/25	44980	35
18206C	6/7	2103101	9/14	46030	29/32
1102500	6/7	2103201	13/15	46060	29/32
1104500	6/7	2501503	11/15	47020	42/44
1106500	6/7	2602801	8/14	47053	43/44
1108500	6/7	2701201	8/14	41000C	30/32
1112500	6/7	2702501	8/14	4110000	31/32
1112900	6/7	2803001	9/14	4200000	31/32
1120500	6/7	2901301	12/15	5	
1120900	6/7	2902301	13/15	50040	38
1412000	6/7	2903011	10/15	50100	38
1420000	6/7	2903101	9/14	55040	40/41
1430000	6/7	2903201	13/15	55049	40/41
2		2903701	10/15	55100	40/41
22201	17/18	3		55109	40/41
22903	40/41	31000	36/37	6	
22910	43/44	31501	27/28	60253	39
23152	19/24	3203701	26/28	65124	39
23205	21/25	3206701	26/28	7	
23207	21/25	3210901	27/28	71055	40/41
23211	21/25	3212701	26/28	71105	40/41
23212	19/24	3222500	26/28	9	
23501	22/25	4		90068	36/37
23991	22/25	41001	30/32	90150	36
24113	20/24	42001	30/32	90165	36/37
24213	20/24	43000	31/32	90250	43/44
24301	23/25	44017	33/34	M	
24601	23/25	44018	33/34	M9409	29

For Your Safety

NEVER use any equipment list in this catalog without first completely reading, understanding, and following the instructions AND safety precautions noted in your product's owner's manual. The warnings and/or safety messages listed below are NOT a complete list of warnings. We insist that you read your product's owner's manual thoroughly and keep your manual available for referencing throughout the life of your product.

Service Jacks and Jack Stands

Inspect before each use. Do not use if broken, bent, cracked, or damaged parts (including labels) are noted. Any jack that appears damaged in any way, operates abnormally, or is missing parts, shall be removed from service immediately and the manufacturer should be notified. If you suspect that the jack was subjected to a shock load (a load dropped suddenly, unexpectedly upon it), immediately discontinue use until the jack has been checked by a factory authorized service center (contact distributor or manufacturer for a list of Authorized Service Centers). It is recommended that an annual inspection is done by qualified personnel. Replace worn or damaged part with the manufacturer's authorized replacement parts only. Labels and owner's manuals are available from manufacturer. **WARNING:** Never use this jack as a stand-alone device. After lifting, immediately support the lifted vehicle with an identical pair of appropriately rated vehicle stands.

WARNING: Do not lift or carry jack by handle. Handle could dislodge and jack fall, resulting in possible injury or property damage. **WARNING:** lift only on areas of the vehicle as specified by the vehicle manufacturer. **WARNING:** Never work on, under or around a load supported only by a hydraulic jack. **WARNING:** Overloading may cause hydraulic system failure and sudden loss of load. **WARNING:** Clear all tools and personnel before lowering vehicle. The further release valve (handle) is turned counter-clockwise, the faster the load will descend. Maintain control of the speed at which the load lowers at all times.

Cylinders/Rams and Bottle Jacks

- Do not exceed rated capacities
- Use only on hard level surface capable of sustaining the load
- Do not connect actuators to pumps with higher pressure ratings
- Always inspect hoses and connections for damage prior to use
- Keep hands and feet clear of work area
- Immediately after lifting, support the load with appropriate means
- Use only manufacturer approved hydraulic fluid (when applicable)
- No alterations shall be made to these products
- Failure to heed these markings may result in injury and/or property damage

Hydraulic Pumps

READ AND UNDERSTAND ALL WARNINGS. INSTRUCTIONS AND OWNER'S MANUAL INFORMATION BEFORE ATTEMPTING TO USE THIS EQUIPMENT

- Burst hazard exists if hose or connection pressure exceeds rated pressure.
- Do not exceed the rated capacity of this device. Monitor pressure and load at all times.
- Verify load with calibrated load cell and indicator, accurate pressure gauge or equivalent devices.
- Inspect hoses and connections for damage prior to use. Never attempt to grasp a leaking pressurized hose.
- Release the hydraulic pressure before disconnecting hoses couplers, and before servicing the pump or accessory.
- Immediately after lifting, support the load with appropriate means. Never rely on hydraulic pressure to support a load.
- Wear protective clothing and eye protection that meets CE standards when operating this equipment.
- Ensure that the chosen application is stable to work on and around.
- Do not subject the pump and its components to shock loads.
- Do not connect to application which can return more oil to the reservoir than the pump reservoir can hold.
- Ensure that the rated pressure of all applications and fittings be equal to or greater than the rated pressure of this pump.
- Keep hydraulic equipment away from flames and heat.
- No alterations shall be made to this device.
- Failure to heed these warnings may result in personal injury as well as property damage.

For other more product related safety messages, please refer to the products owner's manual. SFE Europe B.V. reserves the right to correct any error, inaccuracy, omissions or to update the contents of this catalog without notice.

© Copyright 2020 Shinn Fu Europe B.V.

All rights reserved. Any copying or other use of the material in this catalog (text, illustrations, drawings, photos) without prior express written consent is prohibited.

OMEGALIFT™ EQUIPMENT

Shinn Fu Europe Catalogue 2020-EN

Munnikenheiweg 50 • 4879 NG Etten-Leur • The Netherlands
+31 (0)165 583300 • sales@shinnfu.eu

Shinn Fu Corporation

7F., No.408, Rueli Guang Road
Taipei City 11492, Taiwan, R.O.C.

T: 886-2-87517888
F: 866-2-87517999

Shinn Fu Canada

6355 Shawson Drive, Unit 1
Mississauga, Ontario L5T 1S7

T: 888-820-3737
F: 905-362-2280

Shinn Fu America

10939 N. Pomona Ave.
Kansas City, MO USA 64153

T: +1-888-332-6419
F: +1-816-891-6599

Shinn Fu Australia

15 Viewtech Place,
Rowville 3178 Victoria

T: +61-3-9755-8277
F: +61-3-9755-8219

