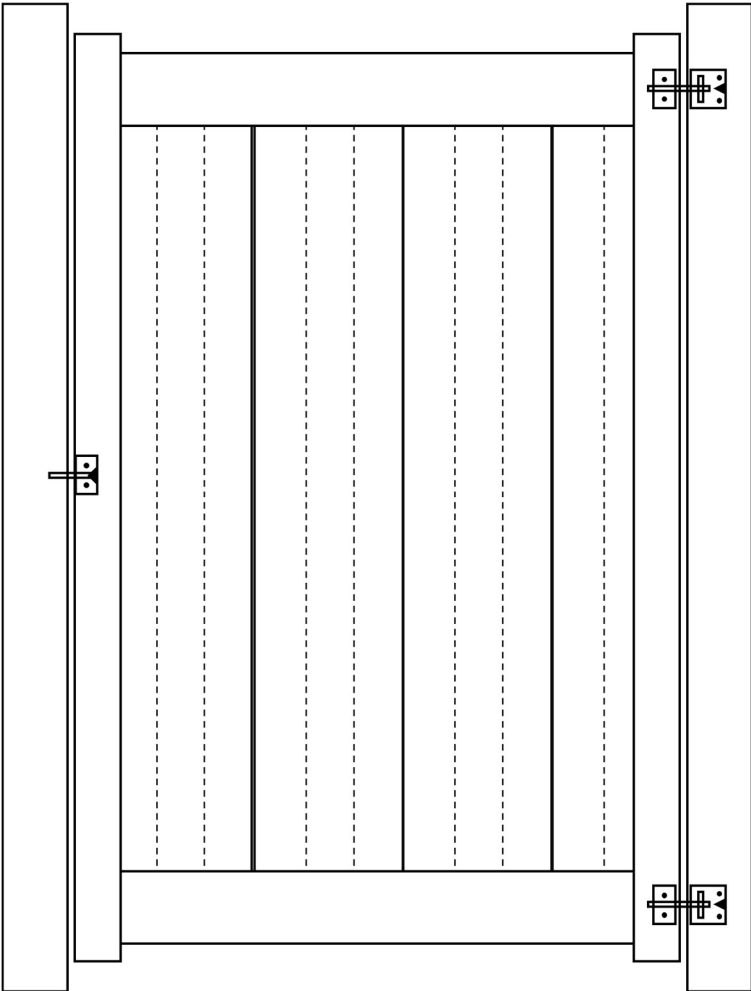


SINGLE VINYL GATE INSTALLATION INSTRUCTIONS



WHAT YOU'LL NEED TO INSTALL A GATE WITH POSTS

- Power auger or post hole digger (clamshells)
- Shovel
- Digging bar (optional)
- Bright colored spray paint
- String line stakes and level
- Cordless or power drill with drill and screw bits
- Tape measure
- Safety glasses and work gloves
- PVC adhesive
- Rag and cleaner

HELPFUL HINTS

- **Proper Post Spacing:** Use a jig made from a 2x4 to measure the desired width of the gate opening.
- **Setting Posts:** When setting posts for fence sections, start with all corner, end, and gate posts for proper alignment. Run a string line from post top to post top to ensure precise height.

BEFORE YOU START

- **Locate Property Lines:** Find property markers such as pins in the curb, buried stakes, or T posts. If you can't find these markers, refer to a plot map or hire a surveyor.
- **Check Local Regulations:** Verify city codes for fence placement and height. Some cities have height restrictions (e.g., 3' or 4') for front yard fences, and permits may be required for fences taller than 6'.
- **Submit Fence City Application:** Submit your application online via your city's website to ensure your fence meets approved height and style regulations and does not obstruct required sight lines for your lot.
- **HOA Approval:** Obtain approval from your HOA for fence color and height to avoid potential fines or delays.
- **Utility Location:** Contact Blue Stakes to locate underground utilities before digging. This is legally required.

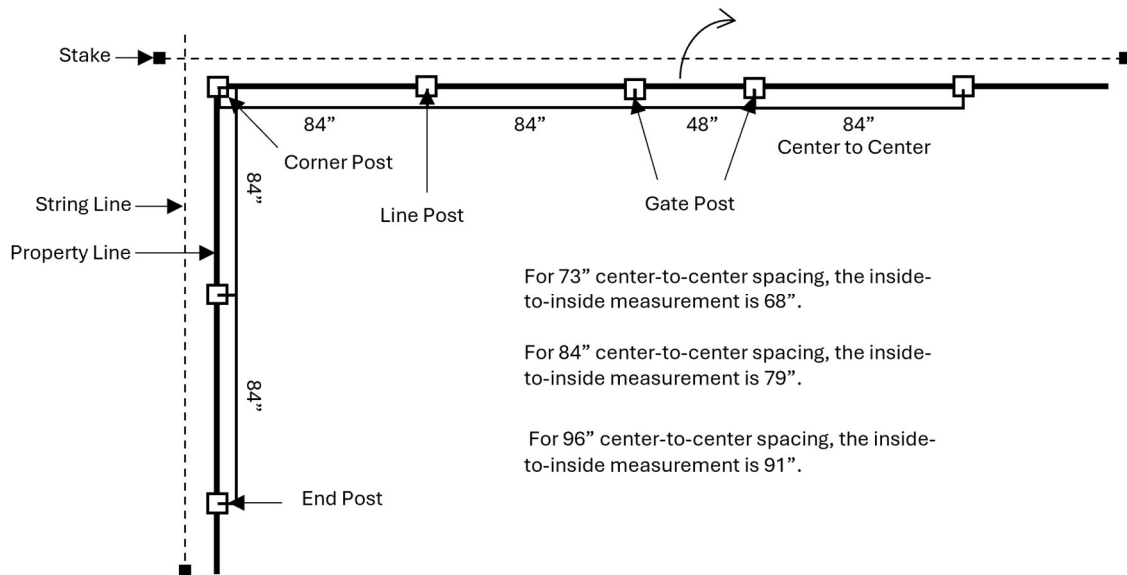
STEEL FRAMED VINYL GATE KIT INCLUDES:

- Steel or Aluminum Framed Vinyl Gate (1)
- Hinges (1 set)
- Paddle Latch (1)
- Two-sided steel inserts (2) or three-sided inserts for gates over 6'

FOLLOW THESE IMPORTANT STEPS BEFORE YOU START: CALL 811 OR 1-800-662-4111

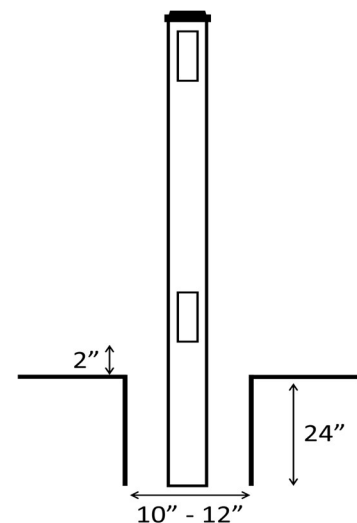
PREPARE FENCE & GATE LAYOUT

1. **Locate Your Property Lines:** Mark the property lines.
2. **Drive Stakes:** Place stakes in the ground beyond where the posts will be set and off-center of the property line. Stretch a string line from stake to stake.
 - **TIP:** Run the string line 6"-8" above the ground to reduce interference.
3. **Mark Post Holes:** Mark the location of each post hole. For 6' sections, space posts 73" center-to-center, and for 7' sections, space them 84" center-to-center. Gate posts should be set at the desired width for a custom gate or at the recommended width for a stock gate.
 - **NOTE:** If you don't have neighbors' approval to split the fence on the property line, run the string line on the property line to save time and money.



SETTING THE POSTS

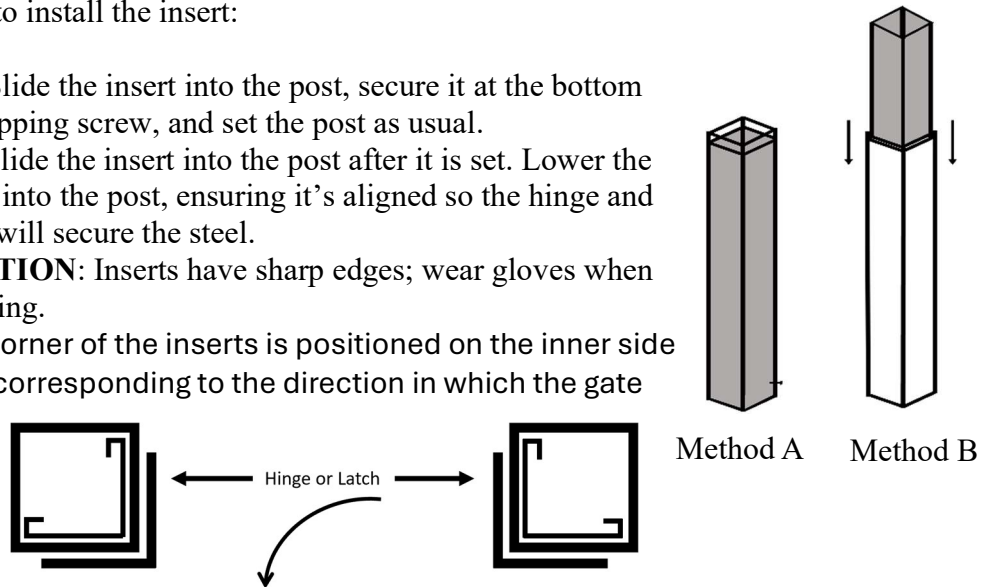
1. **Dig Holes:** Dig holes approximately 8"-10" in diameter and 24" deep. For hinge posts, dig 10"-12" in diameter for extra stability.
2. **Place the Post:** Center the post in the hole and align it with the fence line. Check for plumb using a level on two adjacent sides. Adjust for height, setting the posts 72" from the ground to the top.
3. **Pour Concrete:** Pour concrete around posts, filling up to 2" below ground level. If using mixed concrete, ensure it's slightly wet for faster setup and stability. If using dry concrete, add a third of the bag, mix with water, and repeat until filled.
 - **TIP:** Having an extra person will make setting posts easier and faster.
 - **NOTE:** Allow posts to set for at least 4-7 days to ensure proper hardening of concrete.



INSTALL INSERTS

There are two ways to install the insert:

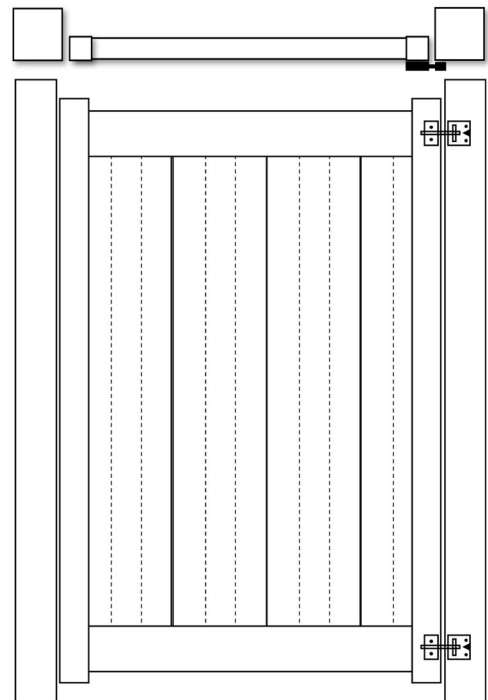
- **Method A:** Slide the insert into the post, secure it at the bottom with a self-tapping screw, and set the post as usual.
- **Method B:** Slide the insert into the post after it is set. Lower the insert slowly into the post, ensuring it's aligned so the hinge and latch screws will secure the steel.
 - **CAUTION:** Inserts have sharp edges; wear gloves when handling.
- Ensure the corner of the inserts is positioned on the inner side of the post, corresponding to the direction in which the gate will swing.



ATTACHING HINGES TO GATE

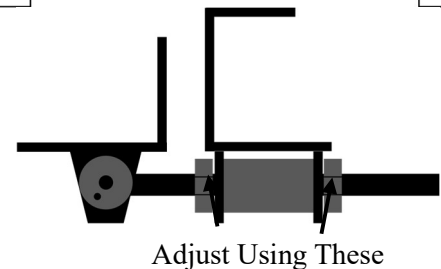
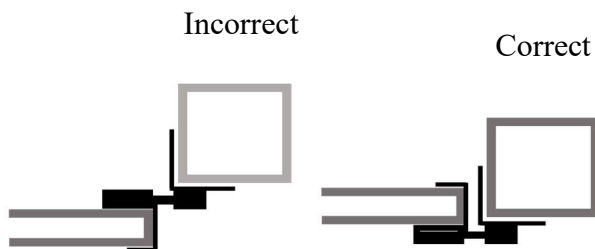
INSTALL GATE

- **Position the Gate:** Prop up the gate using a block or piece of wood, or have someone hold it in the desired position. Avoid placing a screw at the end of the hinge to allow for future adjustments. Locate the center of each rail on the desired end of the gate. Attach the hinges using the provided self-tapping screws, aligning them with the rails.
- **Secure Hinges:** Attach the gate to the post using the provided self-tapping screws.



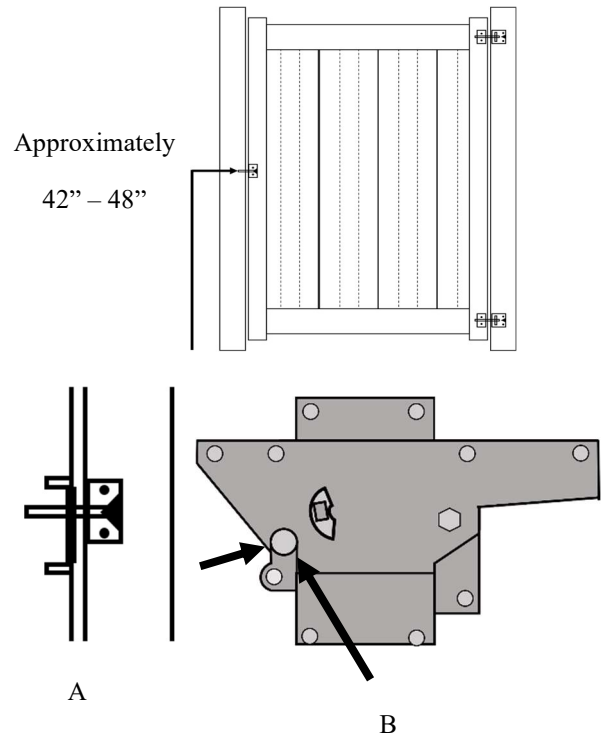
ADJUSTING THE GATE

- Adjust the gate by turning the nuts on the hinges until there is approximately 1" spacing on each side. Adjustments may vary; go with what works best.
- **NOTE:** Ensure hinges are correctly aligned



ATTACHING THE LATCH

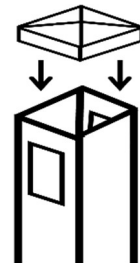
1. **Attach Striker Pin:** Secure the striker pin to the gate using the provided self-tapping screws. The recommended height is 42"-48".
2. **Position and Attach Latch**
Place the latch around the striker pin (A) and then position the latch so that the striker sits in the latch without touching the top or bottom (B). Attach the latch with the self-tapping screws provided.
3. **Check Alignment**
Swing the gate open and closed a few times to check for proper alignment. If adjustments are needed, make them now. If not, move on to the next step.



Note: Always place the corner of the inserts on the inside face of which direction the gate is swinging.

POST CAPS

- Apply a small amount of PVC glue to the inner rim of the cap and place it onto the post. Ensure the cap is firmly in place.
 - **TIP:** A few dots of glue are sufficient and allow for removal if needed.



CLEANING

- During installation, the fence may collect vinyl residue and dirt. Use a hose to spray it off or clean stubborn marks with Simple Green cleaner and a non-abrasive Scotch Brite pad. This method is also recommended for future cleaning.