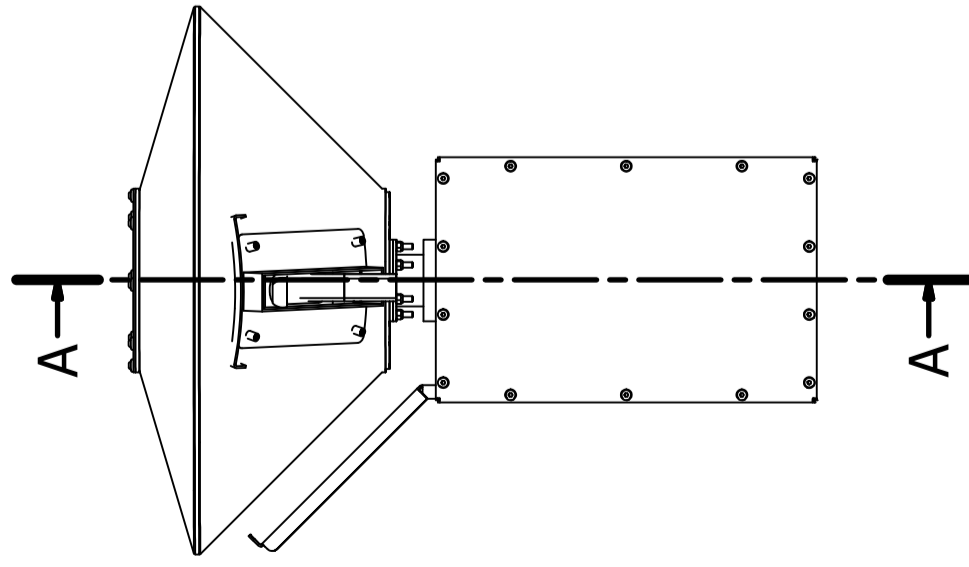
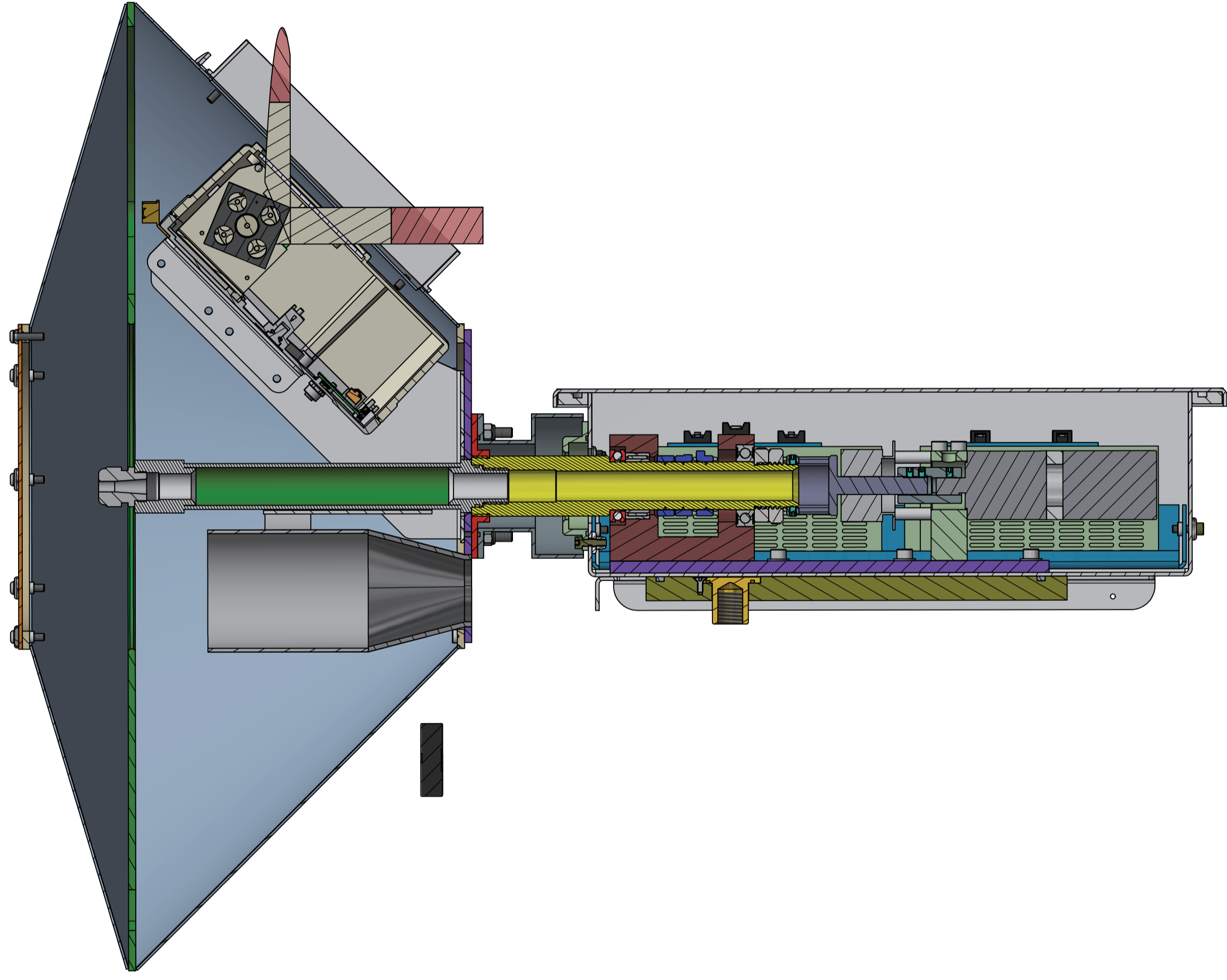


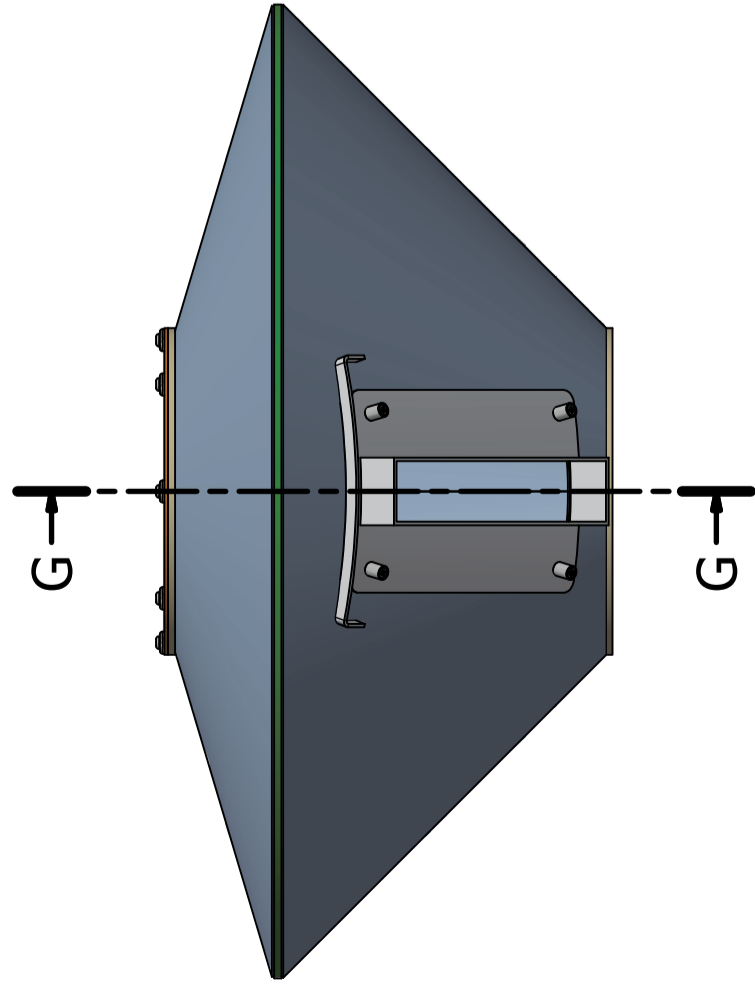
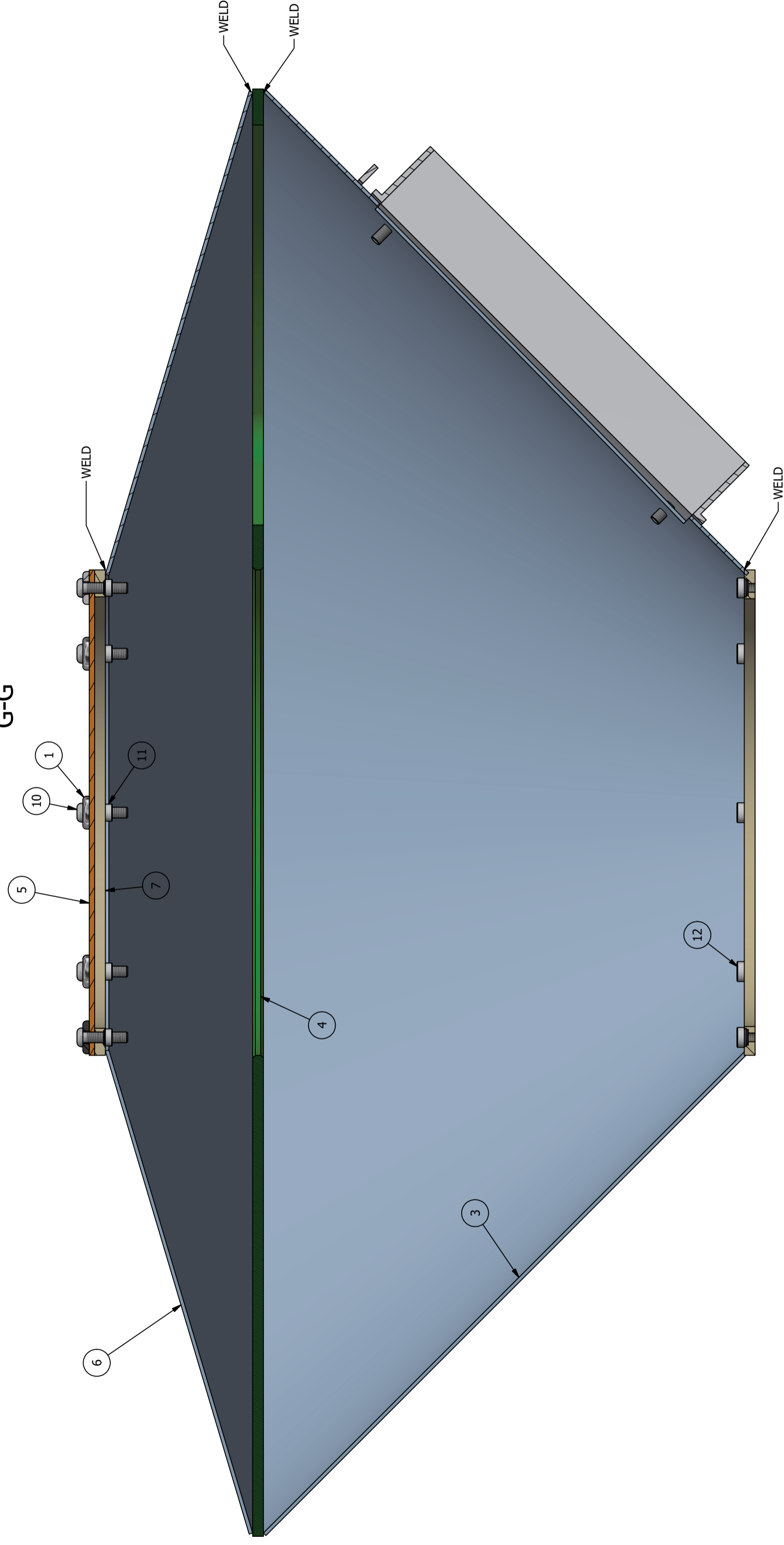
Designed by PETER REMMERT	Checked by KARL BERLIN	Approved by	Date 12/03/2012
AUTOTRAKKER / HPR		ALS3D	Edition D
SCANNER_SYSTEM_MK3			Sheet 1 / 11

A-A



Designed by PETER REMMERT	Checked by KARL BERLIN	Approved by ALS3D	Date 12/03/2012	Sheet 2 / 11
AUTOTRAKKER / HPR			Edition D	
SCANNER_SYSTEM_MK3				

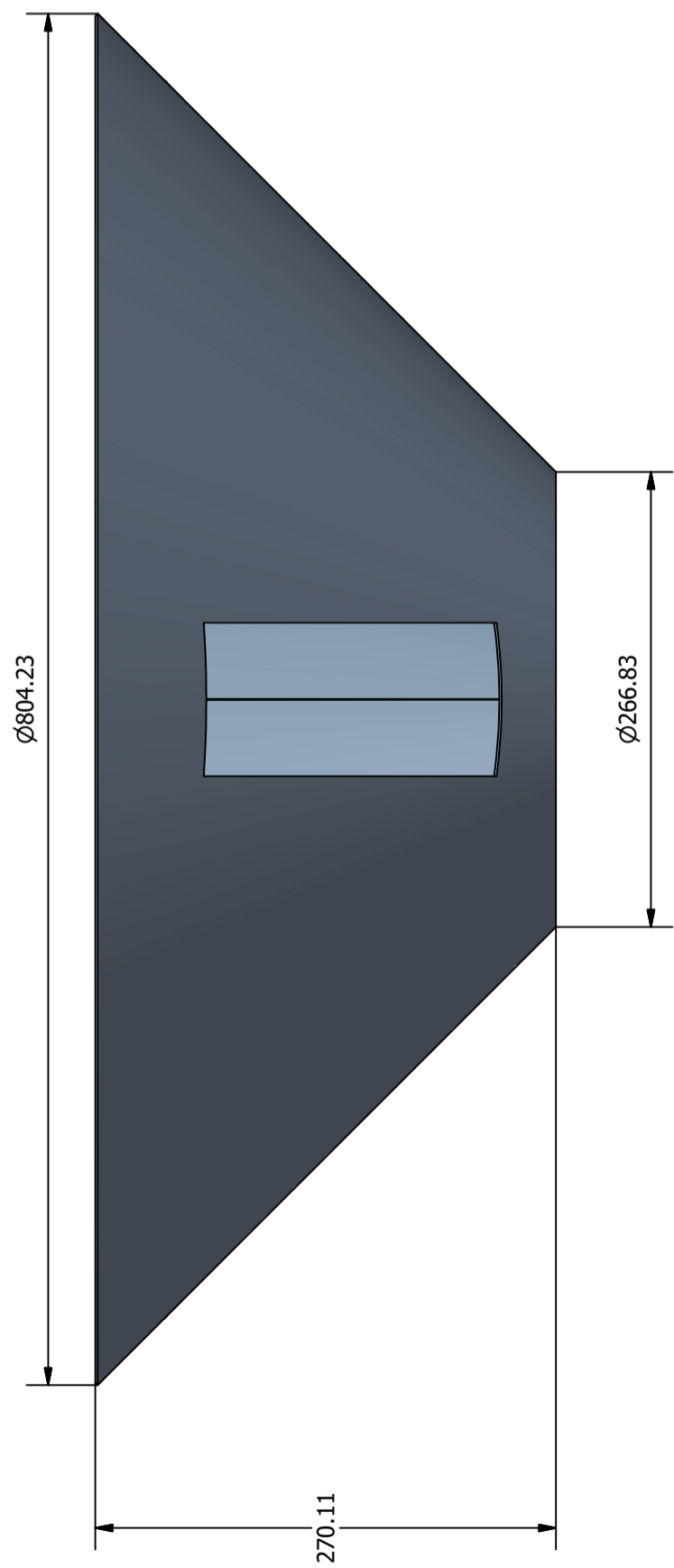
G-G



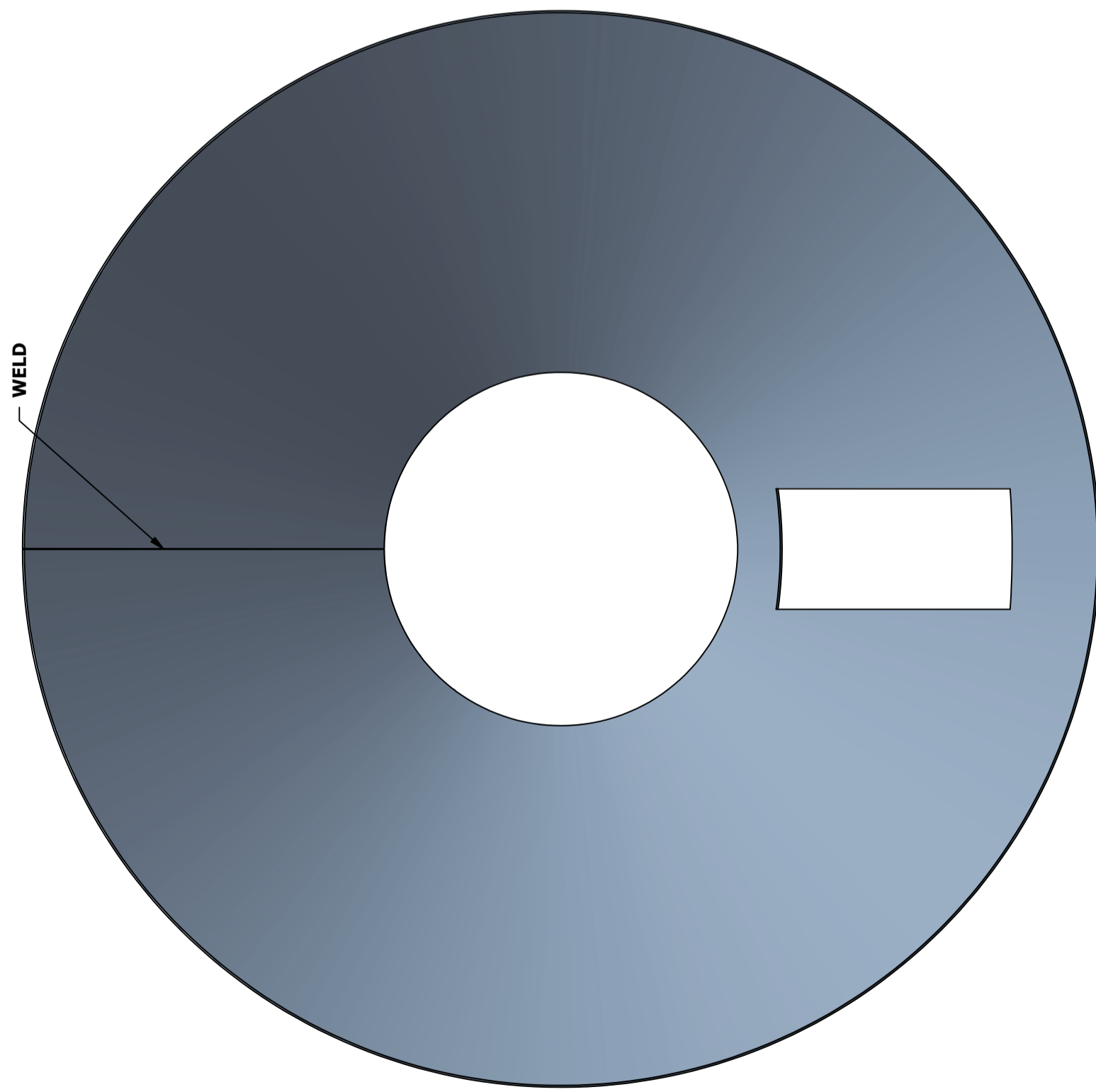
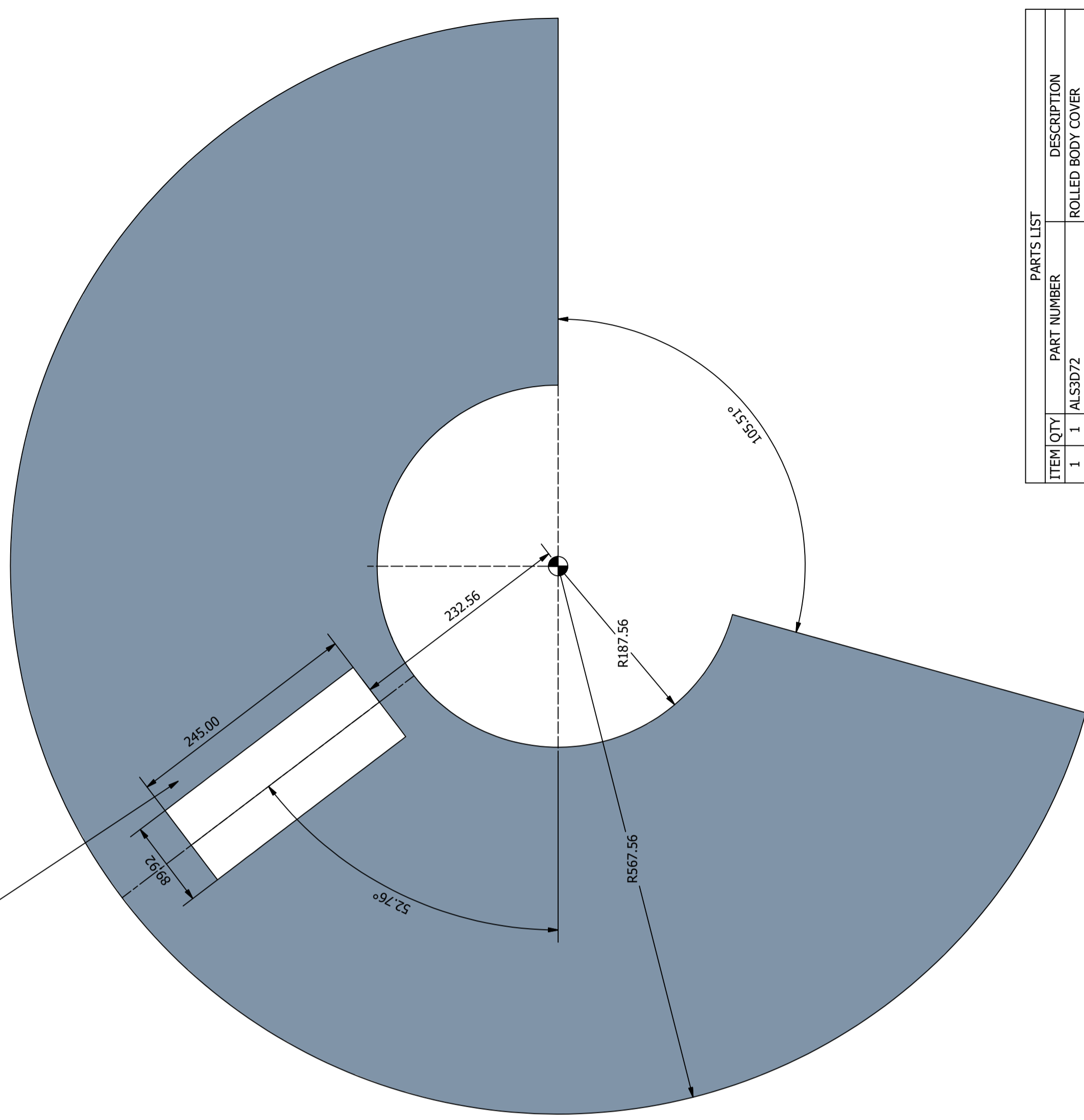
ITEM	QTY	PART NUMBER	DESCRIPTION
1	8	6mm_bonded_washer	6mm_bonded_washer
2	1	ALS3D71	LOWER CONE MOUNT
3	1	ALS3D72	ROLLED BODY COVER
4	1	ALS3D74	TOP COLLER
5	1	ALS3D75	TOP COVER
6	1	ALS3D79	ROLLED BODY COVER
7	1	ALS3D80	UPPER CONE FITTING
8	1	ALS3D86	NOSE WATER DIVERTER
9	1	ALS3D87	NOSE MOUNT
10	8	ANST B18.3-4M - M6 x 1 x 25	Forged Hexagon Socket Buton Head Cap Screw - Metric
11	8	CLA-M5-1 X	PEM Self-Clinching Nuts CLA - Metric
12	8	CLA-M6-2 X	PEM Self-Clinching Nuts CLA - Metric
13	4	PFC2P-M6-04	PEM Brand Access Hardware PFC2P - Metric

PARTS LIST

Designed by PETER REMMERT	Checked by KARL BERLIN	Approved by	Date 12/03/2012
AUTOTRAKKER / HPR		ALS3D	SCANNER_SYSTEM_MK3
		Edition D	Sheet 3 / 11



4 THREADED HOLES NEED TO BE ADDED. THESE ARE SPOT THROUGH'S FROM THE NOSE SNOOT. IT MAY BE EASIER TO DO THIS AFTER THE BOTTOM CONE HAS BEEN FABRICATED.

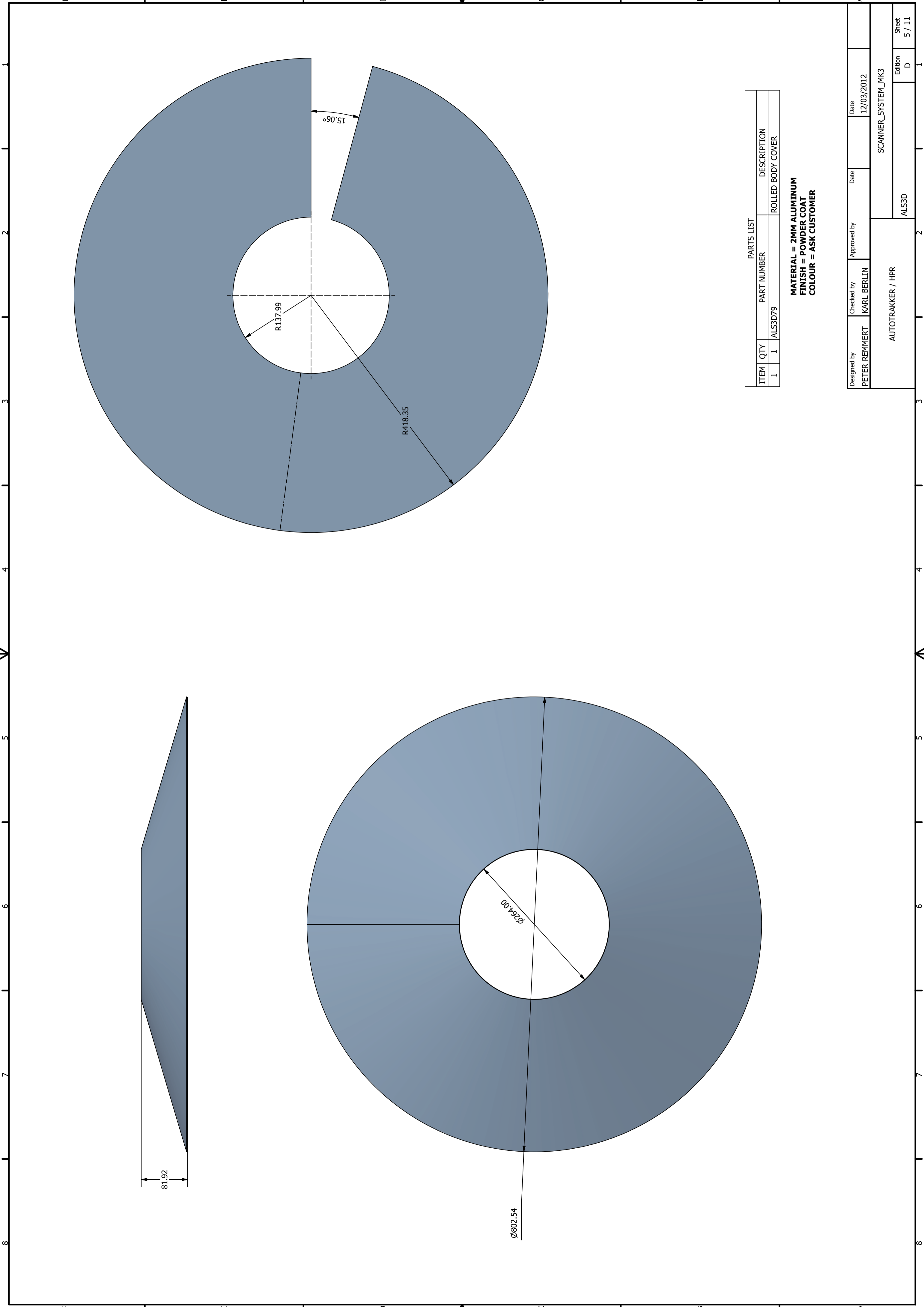


PARTS LIST	
ITEM QTY	PART NUMBER DESCRIPTION
1	ALS3D72 ROLLED BODY COVER

MATERIAL = 2MM ALUMINIUM
FINISH = POWDER COAT
COLOUR = ASK CUSTOMER

Designed by PETER REMMERT	Checked by KARL BERLIN	Approved by AUTOTRAKKER / HPR	Date 12/03/2012
Edition D		Sheet 4 / 11	

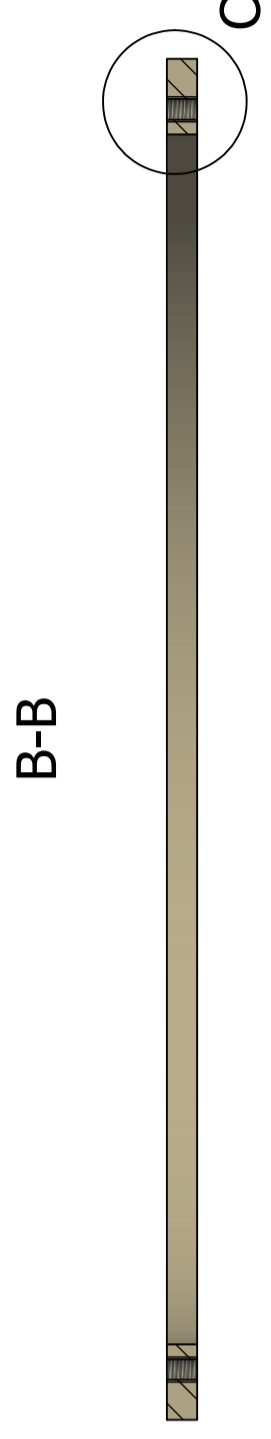
SCANNER_SYSTEM_MK3	
ALS3D	ALS3D



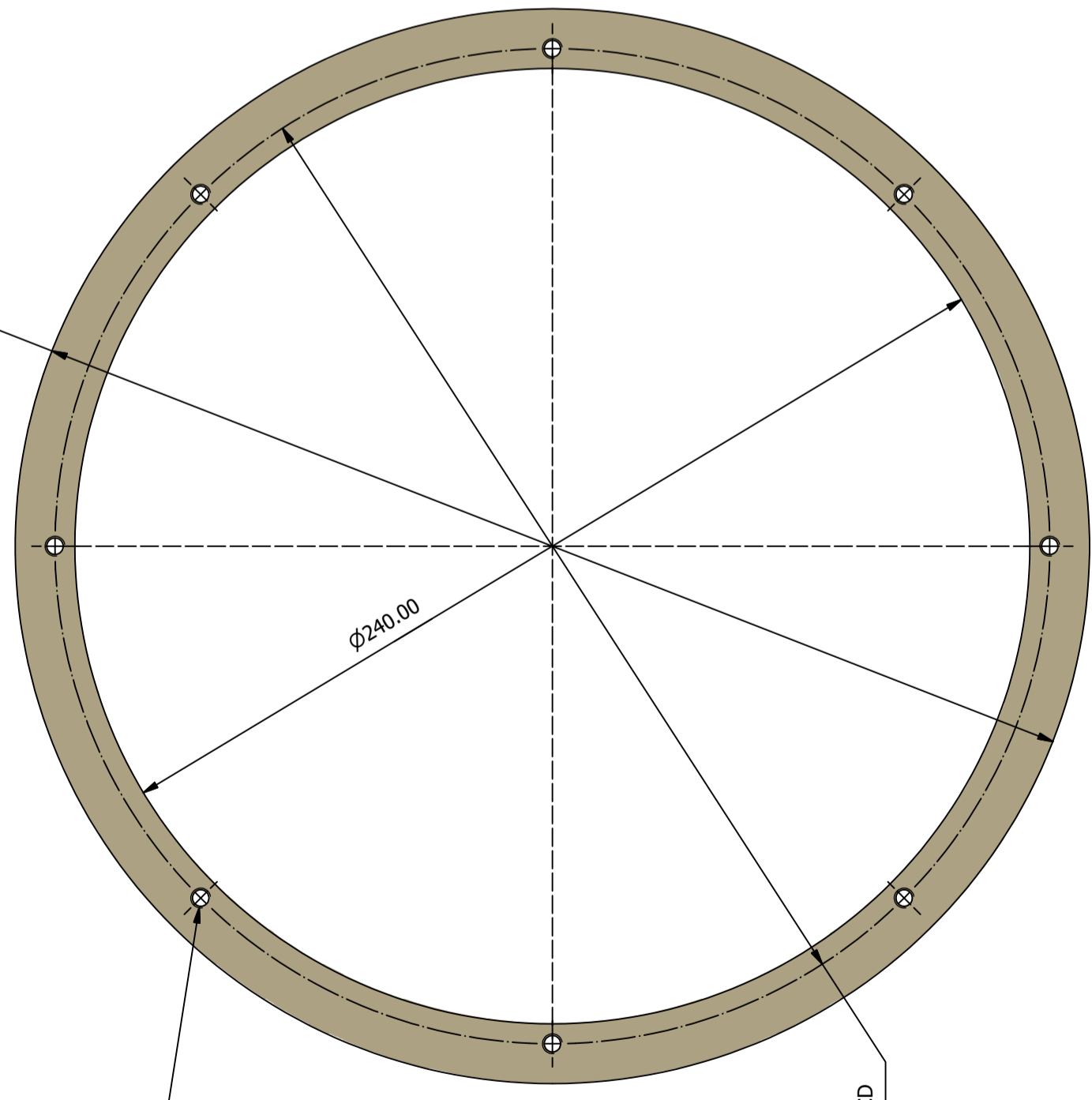
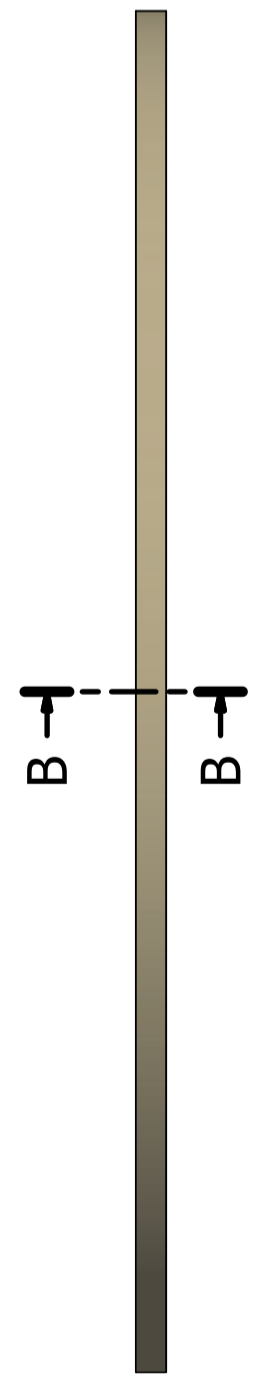
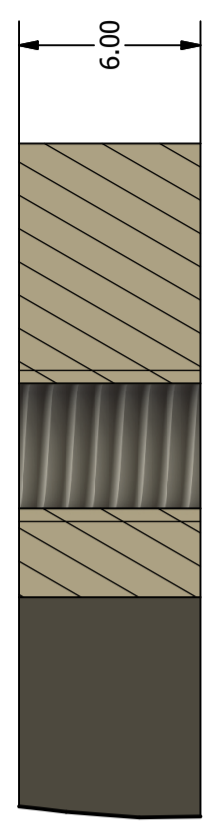
PARTS LIST		
ITEM	QTY	DESCRIPTION
1	1	ROLLED BODY COVER

**MATERIAL = 2MM ALUMINUM
FINISH = POWDER COAT
COLOUR = ASK CUSTOMER**

Designed by PETER REMMERT	Checked by KARL BERLIN	Approved by	Date 12/03/2012
AUTOTRAKKER / HPR		ALS3D	SCANNER_SYSTEM_MK3
		Edition D	Sheet 5 / 11



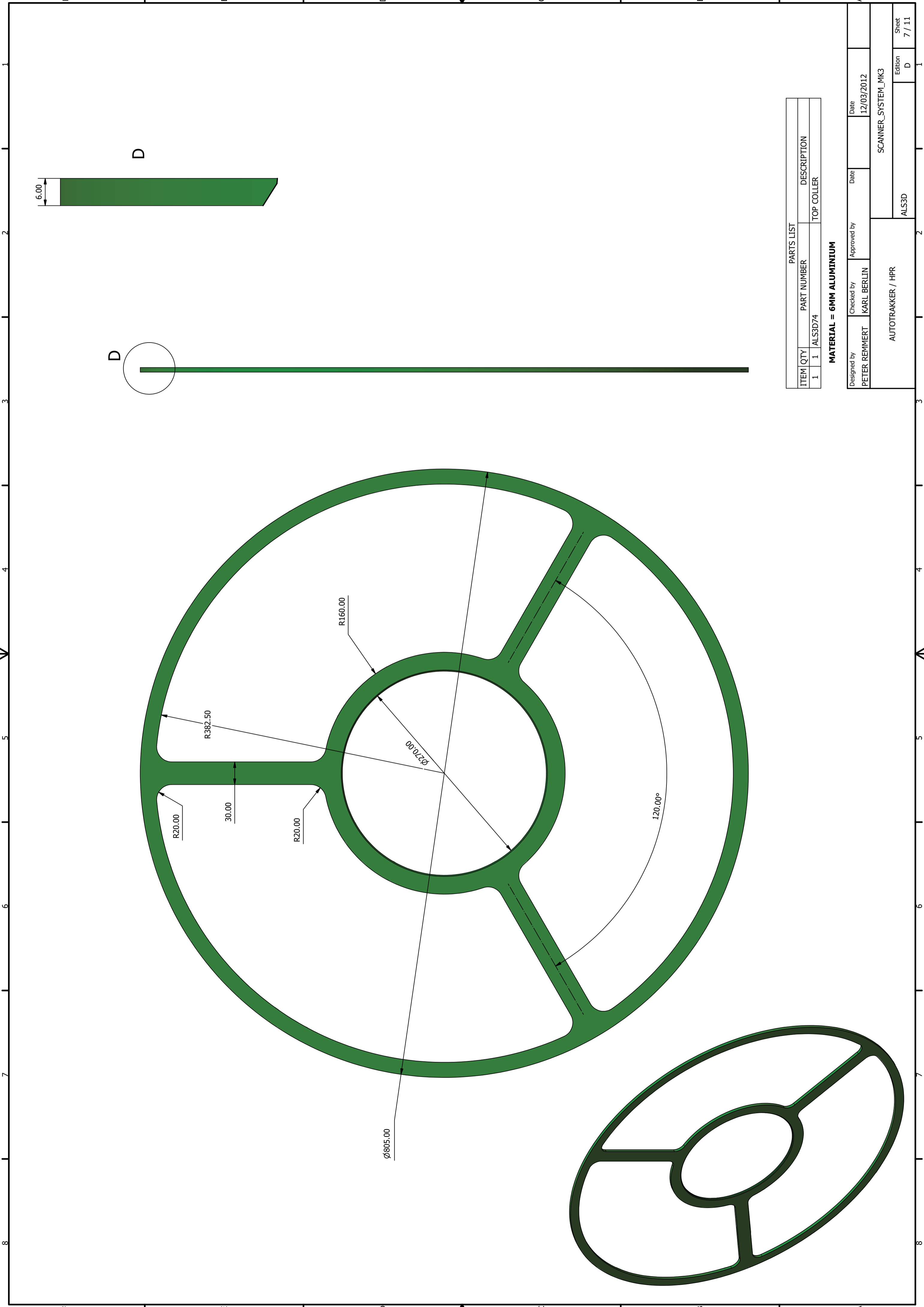
C (4 : 1)



PARTS LIST		
ITEM	QTY	DESCRIPTION
1	1	ALS3D80 UPPER CONE FITTING

MATERIAL = 6MM ALUMINIUM

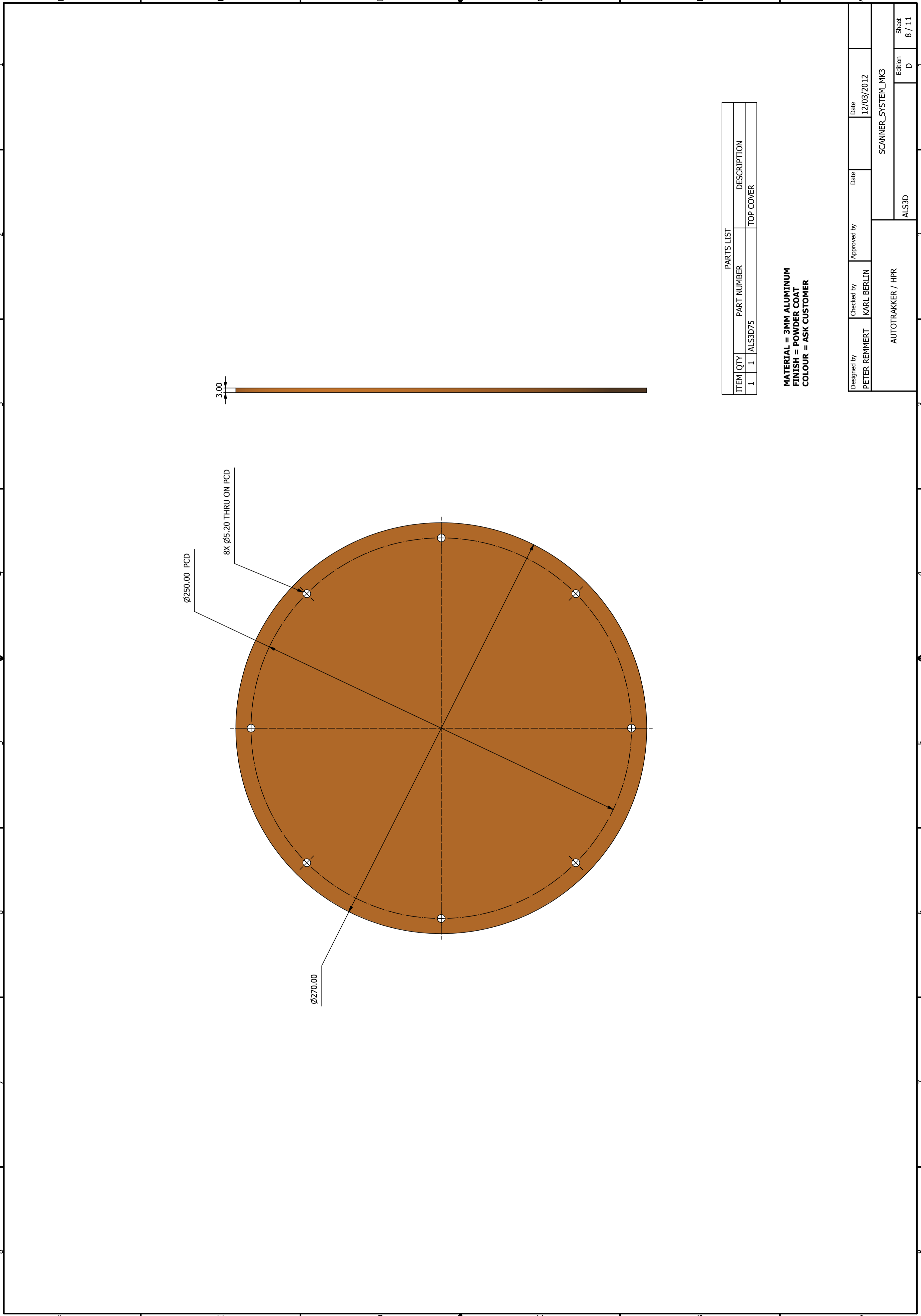
Designed by PETER REMMERT	Checked by KARL BERLIN	Approved by	Date 12/03/2012	Sheet 6 / 11
AUTOTRAKKER / HPR			ALS3D	Edition D
SCANNER_SYSTEM_MK3				



PARTS LIST		
ITEM	QTY	DESCRIPTION
1	1	TOP COLLAR

MATERIAL = 6MM ALUMINIUM

Designed by PETER REMMERT	Checked by KARL BERLIN	Approved by ALS3D	Date 12/03/2012
AUTOTRAKKER / HPR		SCANNER_SYSTEM_MK3	
		Edition D	Sheet 7 / 11



Ø250.00 PCD

8X Ø5.20 THRU ON PCD

Ø270.00

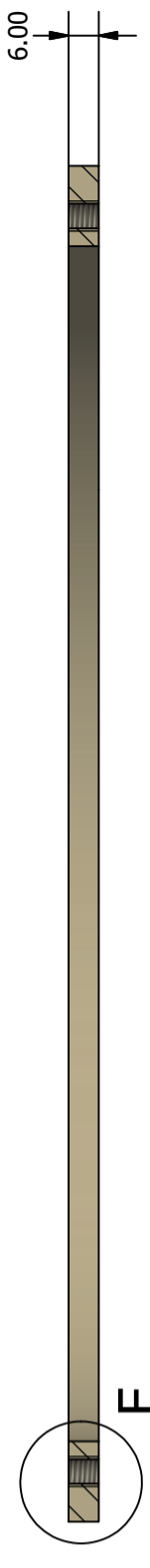
3.00

PARTS LIST		
ITEM	QTY	DESCRIPTION
1	1	ALS3D75 TOP COVER

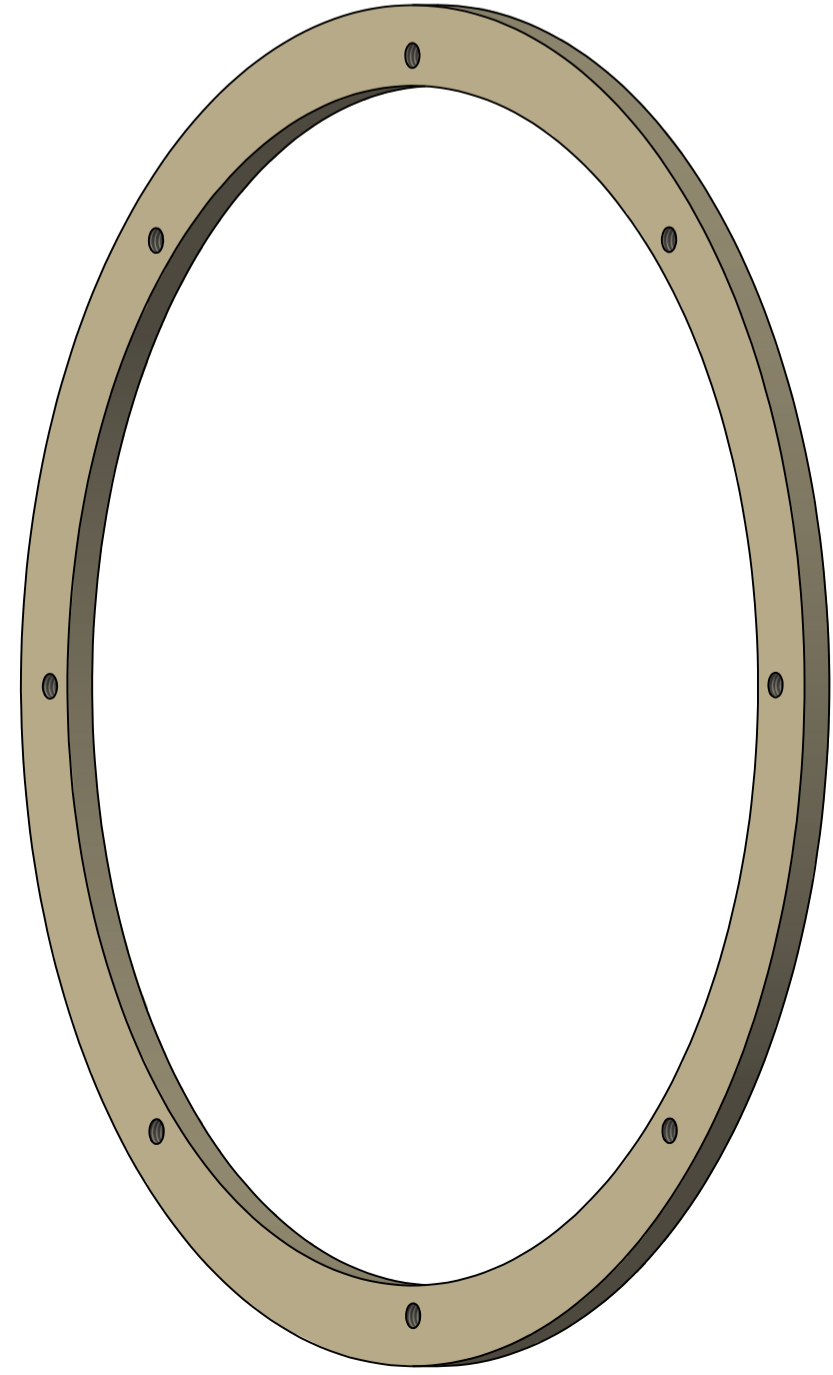
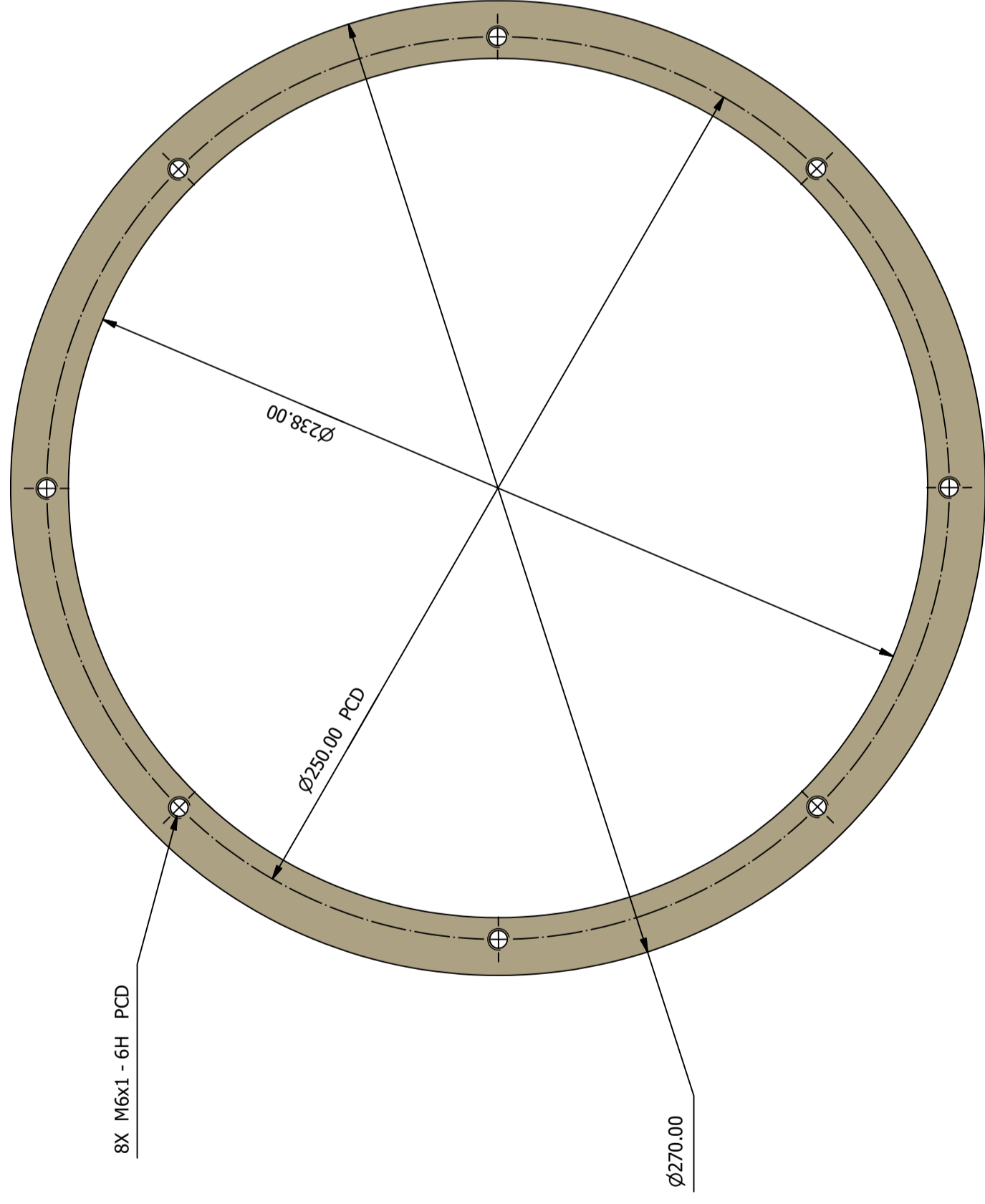
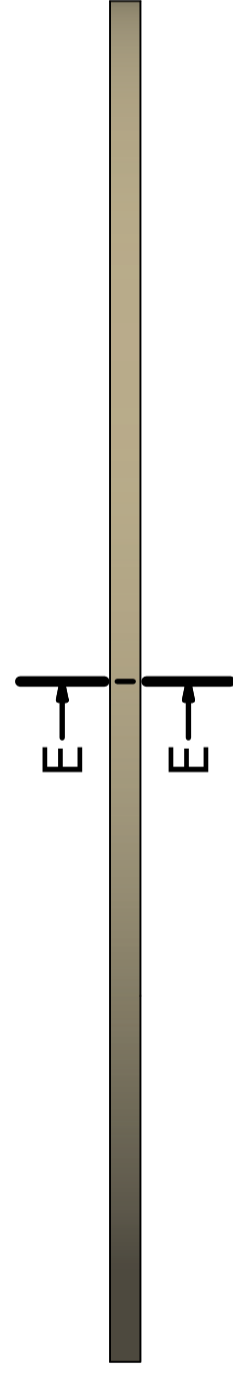
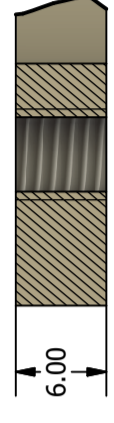
MATERIAL = 3MM ALUMINIUM
FINISH = POWDER COAT
COLOUR = ASK CUSTOMER

Designed by PETER REMMERT	Checked by KARL BERLIN	Approved by AUTOTRAKKER / HPR	Date 12/03/2012	Date	12/03/2012
ALS3D			Edition D		
SCANNER_SYSTEM_MK3			Sheet 8 / 11		

E-E



F

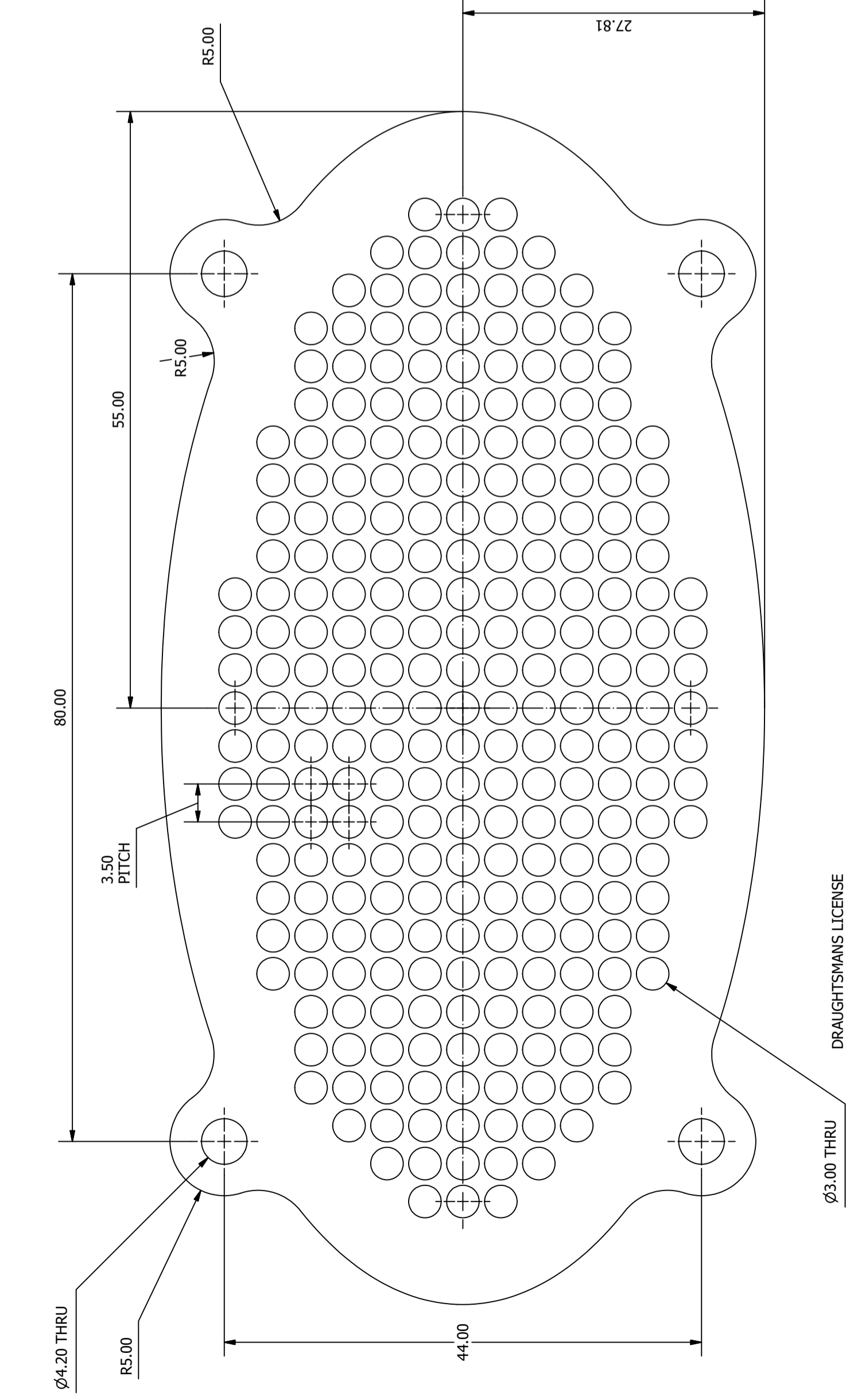


PARTS LIST		
ITEM	QTY	DESCRIPTION
1	1	ALS3D71 LOWER CONE MOUNT

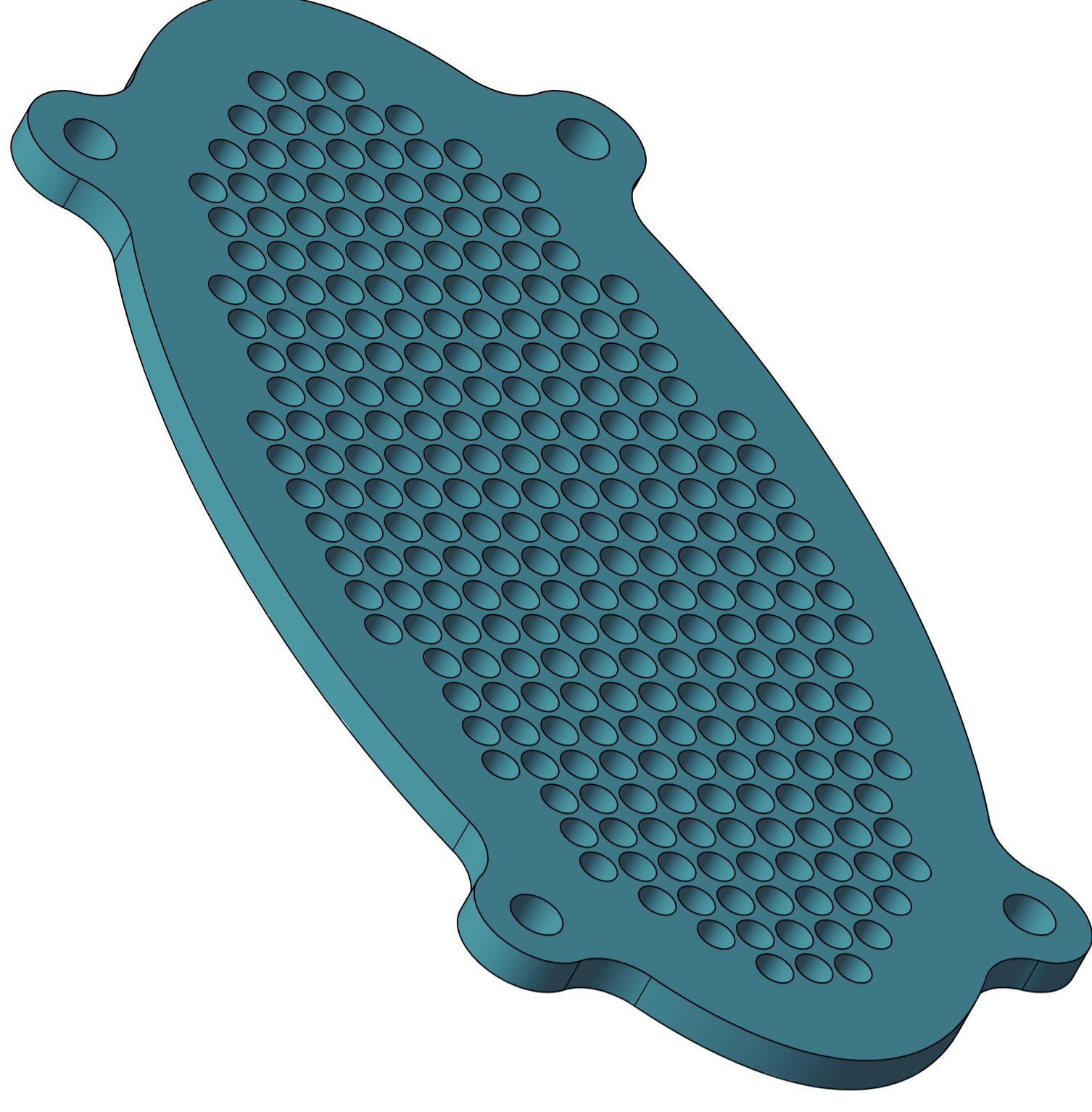
MATERIAL = 6MM ALUMINIUM
FINISH = POWDER COAT (AFTER WELDING)
COLOUR = ASK CUSTOMER

Designed by PETER REMMERT	Checked by KARL BERLIN	Approved by AUTOTRAKKER / HPR	Date 12/03/2012	Date 12/03/2012
SCANNER_SYSTEM_MK3			ALS3D	Sheet 9 / 11

PARTS LIST		
ITEM	QTY	DESCRIPTION
1	1	FAN GRILL



DRAUGHTSMANS LICENSE
 THE HOLES AND PITCH ARE A GOOD
 SUGGESTION. VARIATIONS ARE PERMITTED.
 OBJECT IS TO CREATE A GRILL THAT ALLOWS
 GOOD AIR FLOW. A CUT OUT OF A READY MADE
 MESH WITH A FRAME IS ALSO A SUGGESTION.



MATERIAL = ALUMINIUM 3MM
FINISH = POWDER COAT

Designed by PETER REMMERT	Checked by KARL BERLIN	Approved by AUTOTRAKKER / HPR	Date 12/03/2012
AL53D		SCANNER_SYSTEM_MK3	
Edition D		Sheet 11 / 11	