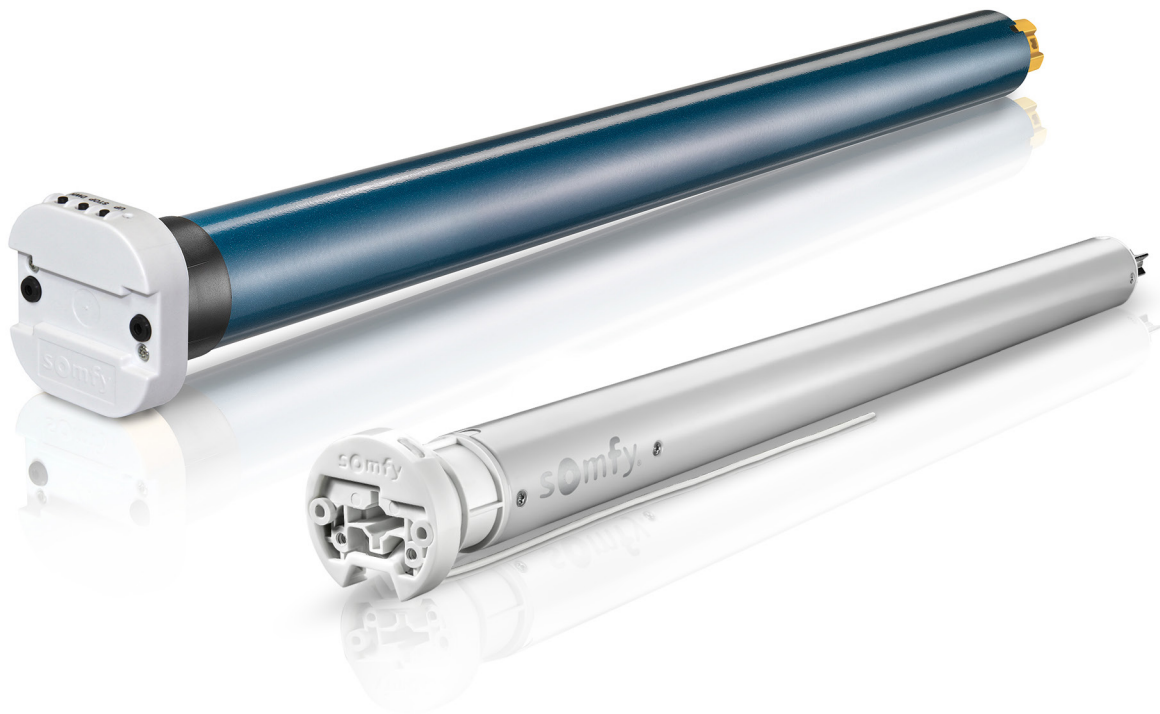


24V DC

# Low-voltage Motor Range Databook



## Sonesse<sup>®</sup> ULTRA 50 and Sonesse<sup>®</sup> 30

Sonesse<sup>®</sup> ULTRA 50 DC RTS | Sonesse<sup>®</sup> ULTRA 50 DC RS485 | Sonesse<sup>®</sup> 30 RTS 24V DC | Sonesse<sup>®</sup> 30 RS485 | Sonesse<sup>®</sup> 30 DCT

# Why Somfy?

Somfy® is the leading global manufacturer of strong, quiet motors with electronic and app controls for interior window coverings and exterior solar protections. Over 270 million users worldwide enjoy the more than 170 million motors produced by Somfy. During the past 50 years, Somfy engineers have designed products for both the commercial and residential markets to motorize window coverings such as interior shades, wood blinds, draperies, awnings, rolling shutters, exterior solar screens and projection screens. Somfy motorization systems are easily integrated with security, HVAC and lighting systems providing total home or building automation.

Somfy has a committed customer support team comprised of Somfy motor and control specialists available for assistance:

**Somfy Corporate Headquarters**

800-22-SOMFY (76639)

**General Customer Service**

877-210-5327

CustomerService\_us@somfy.com

**Standard Purchase Order**

Ordering\_us@somfy.com

**Rush Purchase Order**

ExpeditedShippingOrders\_us@somfy.com

**Accounting Inquiries**

AccountsReivable@somfy.com

**Technical Support**

877-233-0019

TechnicalSupport\_us@somfy.com

**Warranty Claim Requests**

us\_Return@somfy.com

- Somfy has a production capacity of more than 70,000 motors per day.
- Somfy motors have over 600 approved standards worldwide.
- Somfy has certified over 100 patents since the year 2000.
- Every Somfy motor goes through an extensive quality assurance process including testing in extreme environmental conditions, for electrostatic discharge, mechanical shock, and high life cycle.
- Somfy has a network of 15,000 trained professional installers throughout the world.



Somfy operates in 60 countries, with 76 subsidiaries, and 60 agencies spread across 5 continents. With 8 production centers, Somfy is an efficient and reactive industry leader. Thanks to its strict quality standards, Somfy is able to satisfy the needs of over 270 million users worldwide.



Somfy understands that training and support are critical to success. Somfy's Expert Program has been developed to provide a platform for those who want to enhance their expertise of motorization and control solutions. Visit <https://www.somfypro.com/> to learn more and sign up for training.

# TABLE OF CONTENTS

## INTRODUCTION

Low Voltage Motor Range .....	3
-------------------------------	---

## MOTOR SPECIFICATIONS

Sonesse® ULTRA 50 DC RTS .....	4
Sonesse® ULTRA 50 DC RS485 .....	5
Sonesse® 30 RTS 24V DC .....	6
Sonesse® 30 RS485 .....	7
Sonesse® 30 DCT .....	8

## CONTROL ACCESSORIES

Radio Technology Somfy® (RTS) .....	9, 10
Somfy Digital Network™ (SDN) RS485, PoE & Dry Contact .....	11, 12

## LOW VOLTAGE POWER AND WIRING ACCESSORIES

Low-voltage Power Accessories - Cables and Pigtails .....	13, 14
Transformers and Limit Setting Tools .....	15
Power/Control Distribution Enclosure Options .....	15
Low-voltage RTS Control and Plug-in Style Power .....	16
Low-voltage RTS Control and Power Distribution .....	17
Low-voltage RS485 Control and Plug-in Style Power .....	18
Low-voltage RS485 Control and Power Distribution.....	19
Low-voltage DCT Dry Contact and Plug-in Style Power .....	20

## MECHANICAL ACCESSORIES, LIGHT GAP SPECIFICATIONS & BRACKET PROJECTIONS

Sonesse® ULTRA 50 Hardware Systems (ZMC) .....	21-23
Sonesse® 30 Hardware Systems	
Acmeda® .....	24, 25
Somfy Decorator Type .....	26, 27
RollEase® .....	28, 29
Louvolute .....	30
Somfy® CTS 40 .....	31
RollEase® and ZMC® Fascia & Cassette Solutions .....	32, 33
Sonesse® ULTRA 50 DC Mechanical Accessories .....	34, 35
Sonesse® 30 Mechanical Accessories .....	36
NEW Sonesse® 30 Mechanical Accessories .....	37

Acmeda® is a registered trademark of Acmeda International Group Incorporated

RollEase® is a registered trademark of RollEase® Inc. - Stamford, CT.

Crestron® is a registered trademark of Crestron Electronics, Inc.

ZMC® is a registered trademark of ZMC® Window Coverings

Z-Wave® is a registered trademark of Zensys, Inc. and its subsidiaries

Zigbee® is a registered trademark of ZigBee Alliance

Universal Remote Control®, Inc. is a trademark of Universal Remote Control, Inc.

# Conveniently Quiet and Powerful

This document presents the accessories and specifications related to the Somfy Low-voltage motor range. It provides the technical information needed to order, fabricate, and sell the award-winning quiet motors. For additional information regarding any of the products in this document including motors, power sources, controls, interfaces etc., please visit [www.somfysystems.com](http://www.somfysystems.com).

The low-voltage motor range puts window coverings in motion with quiet precision. The motors are engineered with superior noise reduction technology from a distance of 3 feet.

These motors feature speed regulation for precise alignment of adjacent shades, can be barely heard, and are low-voltage to simplify installation. The motors are available with a variety of control options and easily integrate with home automation systems. They also feature the ability to adjust to precise intermediate positions for increased control flexibility.

Somfy's low-voltage motors are designed to automate a broad range of window covering applications which include:

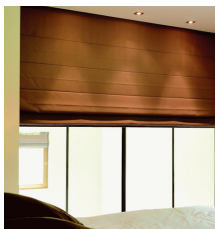
Roller/Solar Shades



Sheer Horizontal/  
Layered Shades



Roman/Woven Shades



Pleated Cellular Shades



Horizontal Blinds



As with all Somfy® products, the Sonesse® low-voltage motor range is backed by a 5 year warranty.



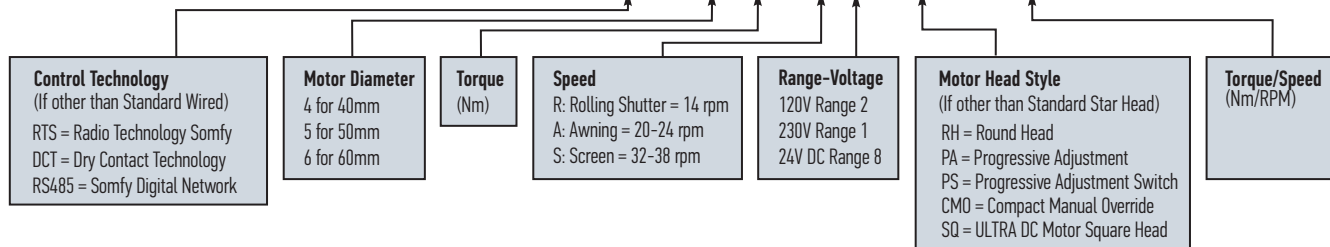
WCMA Award winner, for most innovative overall design

# Somfy's Low-voltage Motor Range



## MOTOR IDENTIFICATION KEY

### Sonesse® ULTRA 50 DC RTS 504 A8 SQ 4/25



## SOMFY TECHNOLOGIES



**Radio Technology Somfy® (RTS)** allows wireless radio control of motorized applications via the RTS family of controls.



**Dry Contact** is a dry contact input for a basic low voltage control.



**RS485** is another control method that uses a two-wired bus. Due to the open source nature of the RS485 protocol, many building management systems and home automation systems use this protocol to communicate to devices. Systems that use the RS485 connection can be programmed to Somfy RS485 motors or controllers to operate the installation.

## SOMFY DESIGNED FOR SILENCE Quietness Scale

The Sonesse® range of motors are rated according to their quietness. The volume scale below appears on all Sonesse range specification pages and designates the motor's level of sound output.



## WHY CHOOSE SOMFY'S SONESSE® LOW VOLTAGE RANGE?

### Quiet and Strong:

- Stronger torque for larger applications including multi-banded/coupled window coverings
- Uniform quiet operation in both the up and down directions under 38dBA

### Wide Range of Solutions:

- Interior and exterior applications
- Line voltage (AC) or Low voltage (DC) power options
- Residential and commercial markets
- Radio, digital or wired integrated network options

### Streamlined Programming:

- RTS limits set via radio transmitter
- Wired simple push-button limit setting
- Improved RS485 commissioning process:
  - Motor auto discovery
  - Motor position feedback
  - Compatible with Somfy's animeo® IP system
  - Multiple intermediate positions
  - Collision detection

### Simplified Fabrication and Installation:

- Utilizes existing fabrication methods on the market today
- Compatible with leading industry hardware solutions

### Superior Quality:

- Motors undergo rigorous endurance, acoustic, radio, mechanical, electrical and safety tests in our 65,000 sq. ft. quality control and testing facility
- More than 600 approved standards worldwide
- Manufactured and sold over 160 million motors

### Simple Electrical Connection:

- Available with UL approved pigtail quick connects or screw-in flying leads for low-voltage (DC) power and data.
- Plug-in option eliminates the need for an electrician

### All Somfy Motors are UL Listed and CSA Recognized

- All SOMFY motors are UL Listed or Recognized and can be found under the following file numbers:

E514135, E60495, E60888, E63714

# Sonesse® ULTRA 50 DC RTS

## Square Head Motor

Sonesse ULTRA 504 A8 DC RTS  
#1134023

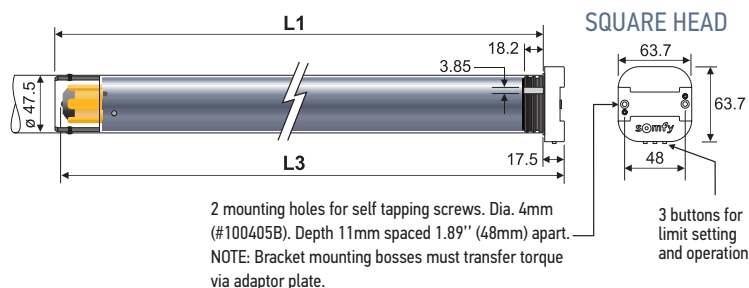


Radio Technology Somfy (RTS) allows for wireless radio control of motorized window coverings via the RTS family of controls.

## Technical Features

<b>NEW Sleep Mode</b>	New feature that allows for advanced programming and grouping.
<b>Voltage Supply</b>	24V DC
<b>Index Protection Rating</b>	IP 20 (interior)
<b>Limit Switch Type</b>	Electronic
<b>Limit Switch Capacity</b>	38 Turns
<b>Temperature Working Range</b>	32°F to 140°F (0°C to 60°C) (interior use only)
<b>Insulation Class</b>	Class 3
<b>Wiring</b>	In accordance with NEC and local electrical codes.
<b>Power Supply</b>	Use only Somfy's power supplies to maintain UL listing requirements and guarantee motor's performance.

## Dimensions



### Dimensions

L1	30.7 in. (780 mm)
L3	31.5 in. (800 mm)
Data & Power Cable Length	10 in. (250 mm)

## Specifications

- \* Minimum Torque:** Minimum application weight to ensure smooth operation.
- \*\* Sound Level:** According to standards ISO 3741 NF 31022 in dBA ref 1pW at nominal torque without end product.

### Fabrication Recommendations:

- Operational noise level is reduced when the motor, tube, and mechanical accessories are properly adapted to motorized applications.
- Free play must be minimized between the accessories and the end product tube to ensure quiet performance of the motor.
- Due to the variances of standard aluminum extrusion tolerances, it is recommended to screw the drive wheel & pin end to immobilize them and ensure quiet performance throughout the life of the product.
- Interior Tube Diameter (ID) > 47 mm must be respected.
- A motor crown adaptor between motor and end product tube is required to ensure concentric operation of the motor.
- 500 Series Drive Stop and Screw (9910004) is recommended to prevent noise and drive wheel separation from the motor shaft. This drive stop screw must be tightened with a torque ranging between 1.5 Nm and 1.8 Nm.
- Somfy Soft Clip Drive Wheel Adaptors (brown in color) are not recommended.

Torque	4 Nm
* Minimum Torque	0.4 Nm
Nominal Voltage	24V DC
Rated Current	1.5A
Rated Power	36W
Speed	Adjustable: 10-25 rpm (default: 25)
Thermal Protection	5 minutes
** Sound Level	≤ 38 dBA



**Pigtail Power Cable:** (Included with every motor. Also available separately, part # 9020005).

<p>Weidmuller Connects to Network</p>	<p>Cable Detail View</p>	<p>JST to Motor</p>	<p>Connector Markings Detail View</p> <p>Font: Ariel Height: 2.3 mm Color: Black</p>	<p>Maximum Power Cable Length (to guarantee characteristics)</p> <table border="1"> <thead> <tr> <th>GAUGE</th> <th>LENGTH</th> </tr> </thead> <tbody> <tr> <td>14 AWG</td> <td>240 ft.</td> </tr> <tr> <td>16 AWG</td> <td>150 ft.</td> </tr> <tr> <td>18 AWG</td> <td>100 ft.</td> </tr> </tbody> </table>	GAUGE	LENGTH	14 AWG	240 ft.	16 AWG	150 ft.	18 AWG	100 ft.
GAUGE	LENGTH											
14 AWG	240 ft.											
16 AWG	150 ft.											
18 AWG	100 ft.											

# Sonessse® ULTRA 50 DC RS485

Square Head Motor

Sonessse ULTRA 504 A8 DC RS485  
#1134022

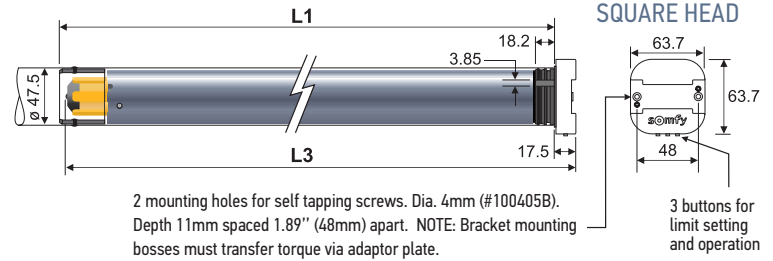


A new generation of intelligent motors that are controlled and monitored via Somfy Digital Network solutions and animeo® IP total solar management system.

## Technical Features

<b>Voltage Supply</b>	24V DC
<b>Index Protection Rating</b>	IP 20 (interior use)
<b>Limit Switch Type</b>	Electronic
<b>Limit Switch Capacity</b>	38 Turns
<b>Temperature Working Range</b>	32°F to 140°F (0°C to 60°C) (interior use only)
<b>Insulation Class</b>	Class 3
<b>Wiring</b>	In accordance with NEC and local electrical codes.
<b>Power Supply</b>	Use only Somfy's power supplies to maintain UL listing requirements and guarantee motor's performance.

## Dimensions



### Dimensions

L1	30.7 in. (780 mm)
L3	31.5 in. (800 mm)
Data & Power Cable Length	10 in. (250 mm)

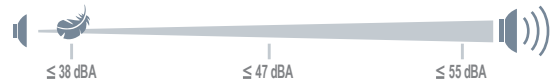
## Specifications

- \* **Minimum Torque:** Minimum application weight to ensure smooth operation.
- \*\* **Sound Level:** According to standards ISO 3741 NF 31022 in dBA ref 1pW at nominal torque without end product.

### Fabrication Recommendations:

- Operational noise level is reduced when the motor, tube, and mechanical accessories are properly adapted to motorized applications.
- Free play must be minimized between the accessories and the end product tube to ensure quiet performance of the motor.
- Due to the variances of standard aluminum extrusion tolerances, it is recommended to screw the drive wheel & pin end to immobilize them and ensure quiet performance throughout the life of the product.
- Interior Tube Diameter (ID) > 47 mm must be respected.
- A motor crown adaptor between motor and end product tube is required to ensure concentric operation of the motor.
- 500 Series Drive Stop and Screw (9910004) is recommended to prevent noise and drive wheel separation from the motor shaft. This drive stop screw must be tightened with a torque ranging between 1.5 Nm and 1.8 Nm.
- Somfy Soft Clip Drive Wheel Adaptors (brown in color) are not recommended.

Torque	4 Nm
* Minimum Torque	0.4 Nm
Nominal Voltage	24V DC
Rated Current	1.5A
Rated Power	36W
Speed	Adjustable: 10-25 rpm (default: 25)
Thermal Protection	5 minutes
** Sound Level	≤ 38 dBA



**Pigtail: Data and Power** (Included with every motor. Also available separately, power and data pigtail (#9020004) or 5 position motor connector (#9020743) only.

<p>Weidmuller Connects to Network</p>	<p>Cable Detail View</p>	<p>JST to Motor</p>	<p>Connector Markings Detail View</p> <p>For detailed wiring go to page 19.</p> <p>Part # 9020743</p>	<p>Maximum Power Cable Length (to guarantee characteristics)</p> <table border="1"> <thead> <tr> <th>GAUGE</th> <th>LENGTH</th> </tr> </thead> <tbody> <tr> <td>14 AWG</td> <td>240 ft.</td> </tr> <tr> <td>16 AWG</td> <td>150 ft.</td> </tr> <tr> <td>18 AWG</td> <td>100 ft.</td> </tr> </tbody> </table>	GAUGE	LENGTH	14 AWG	240 ft.	16 AWG	150 ft.	18 AWG	100 ft.
GAUGE	LENGTH											
14 AWG	240 ft.											
16 AWG	150 ft.											
18 AWG	100 ft.											

# NEW Sonesse® 30 RTS 24V DC

Sonessa 30 RTS 24V DC  
#1241142

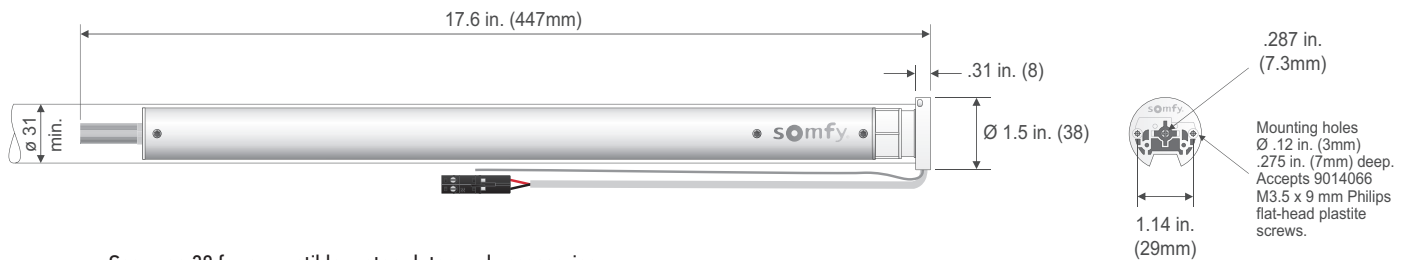


Radio Technology Somfy (RTS) allows for wireless radio control of motorized window coverings via the RTS family of controls.

## Technical Features

<b>Voltage Supply</b>	24V DC	<b>Temperature Working Range</b>	32°F to 140°F (0°C to 60°C)
<b>Index Protection Rating</b> (interior use only)	IP 30	<b>Insulation Class</b>	Class III
<b>Limit Switch Type</b>	Electronic (RTS)	<b>Antenna</b>	7.5 in. (19cm) wire length, must not be cut or lengthened. For greatest RF range, antenna must be exposed.
<b>Limit Switch Capacity</b>	150 turns (limited to 6 minutes of rotation without stop)		

## Dimensions



See page 38 for compatible motor plates and accessories.

## Specifications

<b>Voltage</b>	24V DC
<b>Rated current</b>	.625 A
<b>Standby power</b>	.2W
<b>Torque</b>	2 Nm
<b>Default speed</b>	25 rpm
<b>Speed range</b>	6 to 28 rpm (speed regulated and adjustable)
<b>Radio frequency</b>	433.42 MHz
<b>Thermal protection</b>	6 minutes
<b>Sound Level*</b>	<42 dBA

### \*Sound level:

Power Level: according to standards ISO3741 in dB(A) ref 1pW typical value, at nominal torque and nominal speed, without application/end product.

### Fabrication recommendations:

- Operational noise level is reduced when motor, tube, and mechanical accessories are properly adapted to motorized applications.
- Free play must be minimized between the accessories and the end product tube to ensure quiet performance of the motor.
- Interior Tube Diameter (ID) > 31 mm must be respected.
- A motor crown adaptor between motor and end product tube is required to ensure concentric operation of motor.
- Sonessa 30 Series drive stop and screw (included with crown and drive) are recommended to prevent noise and drive wheel separation from motor shaft.

## Type of power cable

### 24V DC POWER CABLE

AWG24 – 1 Cable: 2 wire  
(9.8 in. Weidmüller pigtail non-removable)



Maximum Power Cable Length (to guarantee characteristics)

GAUGE	LENGTH
14 AWG	240 ft.
16 AWG	150 ft.
18 AWG	100 ft.



# Sonesse® 30 RS485

Sonesse 30 RS485

#1000658



Somfy Digital Network (SDN), is Somfy's proprietary digital communication backbone compatible with industry standard RS485

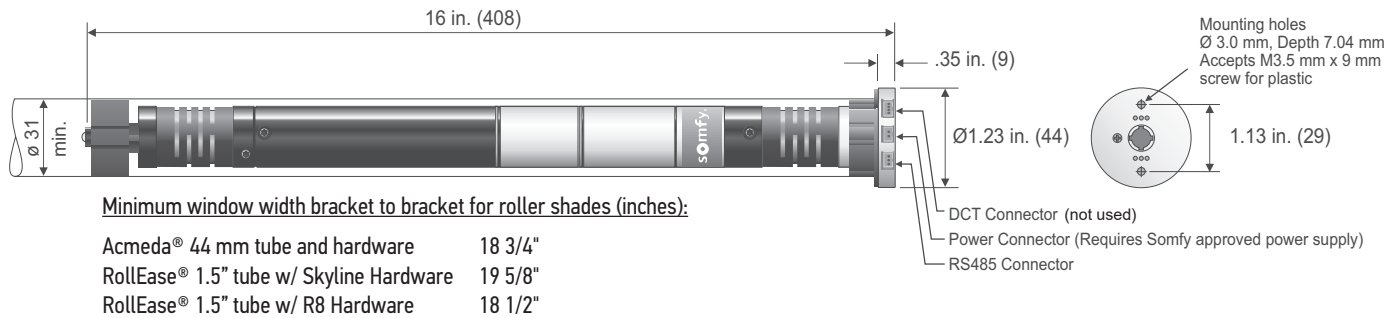
## Technical Features

<b>Voltage Supply</b>	24V DC
<b>Index Protection Rating</b>	IP 30
<b>Limit Switch Type</b>	Digital
<b>Limit Switch Capacity</b>	35 Turns

<b>Temperature Working Range</b>	32°F to 140°F (0°C to 60°C)
<b>Insulation Class</b>	Class III

**NOTE:** Power/Control motor cables are included with motor. Limit Setting Tool and Address Reader #9017142 and Sonesse® 30 RS485 New JST to RJ45 Communication Cable #9019191 are required for setting limits. (sold separately)

## Dimensions



## Specifications

<b>Voltage</b>	24V DC
<b>Motor power connector</b>	2 pin JST, 2 mm pitch
<b>Motor RS485 connector</b>	3 pin JST, 2.54 mm pitch
<b>Motor DCT connector (not used)</b>	4 pin JST, 2 mm pitch
<b>Nominal load starting current</b>	1.8A for max. 300 ms
<b>Nominal load current</b>	.8A
<b>Maximum current during programming</b>	3.2A for 300 ms.
<b>Torque</b>	2 Nm
<b>Speed</b>	Adjustable: 10-28 rpm (default: 28)
<b>Thermal protection</b>	2.5 minutes
<b>Minimum inside diameter of tube</b>	1.22 in. (31 mm)
<b>Sound Level*</b>	44 dBA

### \*Sound level:

Power Level : according to standards ISO3741 in dB(A) re 1pW  
Typical Value, at nominal torque, at 10rpm, without application/end-product

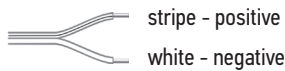
### Fabrication recommendations:

- Operational noise level is reduced when motor, tube, and mechanical accessories are properly adapted to motorized applications.
- Limit setting to be set with Limit Setting Tool #9017142
- Free play must be minimized between the accessories and the end product tube to ensure quiet performance of the motor.
- Interior Tube Diameter (ID) > 31 mm must be respected.
- A motor crown adaptor between motor and end product tube is required to ensure concentric operation of motor.
- ST30 Series Drive Stop and Screw (included with crown and drive), are recommended to prevent noise and drive wheel separation from motor shaft.

## Type of power and data cables (included)

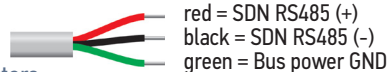
### 24V DC POWER CABLE #9014794

2-Conductor  
7.5' Length  
24 AWG Conductors



### RS485 COMMUNICATION CABLE #9019190

3-Conductor  
7.5' Length  
24 AWG Conductors



Maximum Power Cable Length (to guarantee characteristics)

GAUGE	LENGTH
14 AWG	240 ft.
16 AWG	150 ft.
18 AWG	100 ft.

Optional Pigtail: Sonesse 30 DC RS485 Cable Data and Power Pigtail #9020261 (sold separately).

See page 13 for reference.

# Sonesse® 30 DCT

**Sonesse 30 DCT**  
#1000668



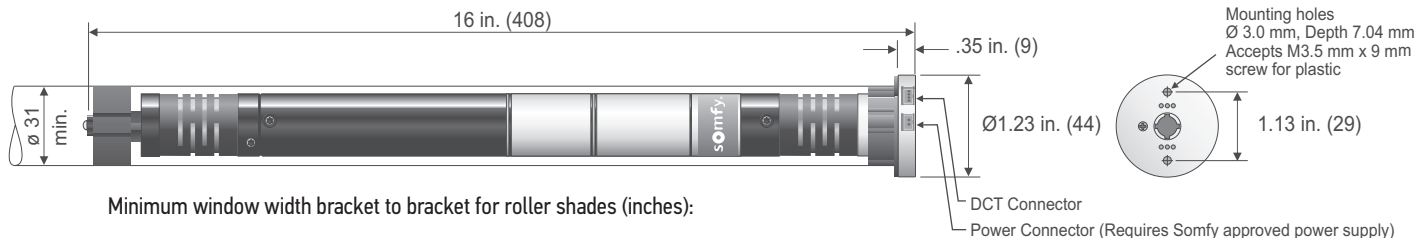
**DRY CONTACT**

Offers control via contact closure switching (dry contact)

## Technical Features

<b>Voltage Supply</b>	24V DC	<b>Temperature Working Range</b>	32°F to 140°F (0°C to 60°C)
<b>Index Protection Rating</b> (interior use only)	IP 30	<b>Insulation Class</b>	Class III
<b>Limit Switch Type</b>	Dry Contact	<b>NOTE:</b> Power/Control motor cables are included with motor. Limit Setting Tool #9014599 is required for setting limits. (sold separately)	
<b>Limit Switch Capacity</b>	35 Turns		

## Dimensions



Minimum window width bracket to bracket for roller shades (inches):

Acmeda® 44 mm tube and hardware	18 3/4"
RollEase® 1.5" tube w/ Skyline Hardware	19 5/8"
RollEase® 1.5" tube w/ R8 Hardware	18 1/2"

## Specifications

<b>Voltage</b>	24V DC
<b>Motor power connection</b>	2 pin JST, 2 mm pitch
<b>Motor DCT connector</b>	4 pin JST, 2 mm pitch
<b>Nominal load starting current</b>	1.8A for max. 300 ms
<b>Nominal load current</b>	.8A
<b>Maximum current during programming</b>	3.2A for 300 ms
<b>Torque</b>	2 Nm
<b>Speed</b>	Adjustable 10–28 rpm (default 28)
<b>Thermal protection</b>	2.5 minutes
<b>Minimum inside diameter of tube</b>	1.22 in. (31mm)
<b>Sound Level*</b>	< 44 dBA

### \*Sound level:

Power Level : according to standards ISO3741 in dB(A) re1pW  
Typical Value, at nominal torque, at 10rpm, without application/  
end-product

### Fabrication recommendations:

- Operational noise level is reduced when motor, tube, and mechanical accessories are properly adapted to motorized applications.
- Free play must be minimized between the accessories and the end product tube to ensure quiet performance of the motor.
- Interior Tube Diameter (ID) > 31 mm must be respected.
- A motor crown adaptor between motor and end product tube is required to ensure concentric operation of motor.
- ST30 Series Drive Stop and Screw (included with crown and drive), are recommended to prevent noise and drive wheel separation from motor shaft.

## Type of power cable (included with motor)

### 24V DC POWER CABLE #9014794

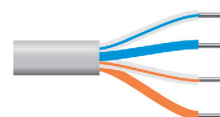
2-Conductor  
7.5' Length  
24 AWG Conductors



stripe - positive  
white - negative

### DCT COMMUNICATION CABLE #9014793

4-Conductor  
7.5' Length  
24 AWG Conductors



white/blue = up  
blue = stop  
white/orange = down  
orange = ground

# CONTROL ACCESSORIES

Learn more about controls and accessories and download RTS brochure at [www.somfy.com/controls](http://www.somfy.com/controls)



## RADIO TECHNOLOGY SOMFY® (RTS)

### SITUO & TELIS COLLECTIONS



Situotm 1 RTS  
Pure Single  
Channel Remote  
1870571



Situotm 5 RTS  
Pure Five  
Channel Remote  
1870575



Situotm 1 RTS  
Iron Single  
Channel Remote  
1870572



Situotm 5 RTS  
Iron Five  
Channel Remote  
1870576



Situotm 1 RTS  
Natural Single  
Channel Remote  
1870573



Situotm 5 RTS  
Natural Five  
Channel Remote  
1870577



Situotm 1 RTS  
Arctic Single  
Channel Remote  
1870574



Situotm 5 RTS  
Arctic Five  
Channel Remote  
1870578



Situotm 5 RTS  
Soliris Five  
Channel Remote  
1870579



Situotm 5 RTS  
Variation Five  
Channel Remote  
1811612



Telis 1 RTS Patio  
Single Channel  
Remote  
1810643



Telis 4 RTS Patio  
Five Channel  
Remote  
1810645



Telis 16 Channel RTS  
Pure Remote with  
On-screen display  
1811081



Telis 16 Channel RTS  
Silver Remote with  
On-screen display  
1811082



Telis 1 Chronis RTS  
Pure Timer with  
On-screen display  
1805237

### DECOFLEX WIREFREE™ WALL SWITCHES



DecoFlex WireFree™  
RTS 1 Channel  
Wall Switch



DecoFlex WireFree™  
RTS 2 Channel  
Wall Switch



DecoFlex WireFree™  
RTS 3 Channel  
Wall Switch



DecoFlex WireFree™  
RTS 4 Channel  
Wall Switch



DecoFlex WireFree™  
RTS 5 Channel  
Wall Switch

- Wall switches shown in white. Also available in black and ivory finishes.
- Shown assembled with printed channel buttons.
- Custom engraved buttons are also available.



Black



Ivory

Visit tools page for software to configure keypads, [www.somfypro.com/decoflex-custom-button](http://www.somfypro.com/decoflex-custom-button)

### SMOOVE® WALL SWITCH



Smoove® 1 RTS Pure  
1811533



Smoove® 4 RTS Pure  
1811748

- Battery-operated convenience
- Surface mounts with ease
- Frames available in 7 colors
- Double-gang Pure frame available



Pure



Silver  
Matte



Black



Light  
Bamboo



Amber  
Bamboo



Cherry



Walnut

### TABLE TOP ACCESSORIES



DecoFlex WireFree™ RTS  
Table Top Accessory  
Black  
1811051\*



DecoFlex WireFree™ RTS  
Table Top Accessory  
Silver  
1810972\*



DecoFlex WireFree™ RTS  
Table Top Accessory  
White  
1811185\*



Sunis Indoor  
WireFree™ RTS  
9013707



RTS Repeater  
1810791

\*DecoFlex Switch sold separately from Table Top Accessory.

### INDOOR SENSOR

### RTS REPEATER

# CONTROL ACCESSORIES

## INTEGRATION ACCESSORIES

### ZRTSI II



Z-Wave® to RTS Interface II

The Somfy Z-Wave® to Radio Technology Somfy Interface (ZRTSI) translates Z-wave® commands from third-party systems into motor control commands for Somfy's range of Radio Technology Somfy® (RTS) motors.

1811265

### WIFI TO RTS/ZIGBEE INTERFACES



myLink™ RTS Smartphone & Tablet Interface  
1811403

Control window coverings, awnings, screens and rolling shutters using your tablet, smartphone or voice. Create timed events, scenes and more. Integration-ready for third-party control.



TaHoma® RTS/Zigbee Smartphone & Tablet Interface  
1811731

### TAHOMA ETHERNET ADAPTOR



TaHoma Ethernet Adaptor

The TaHoma® Ethernet Adaptor adds an Ethernet LAN port to TaHoma, providing fast and stable internet connection.

1870470

### 16 CHANNEL INTERFACE



Universal RTS Interface 16-Channel

The URTSI allows third-party automation systems to control Radio Technology Somfy® (RTS) motorized solutions.

1810872

### DRY CONTACT INTERFACE



RTS Dry Contact Interface Single Channel

The RTS Dry-Contact Interface can be used to communicate between home automation or other third-party systems and Somfy's RTS products.

1810493

### ZDMI



Z-Wave® to Digital Motor Interface

Integrate Z-Wave® wireless control of window coverings powered by Somfy SDN motors and benefit from the versatility of Z-Wave® wireless mesh technology and the quiet intelligence of the Sonesse® SDN motor.

1870171

### SOMFY CONNECT™ LTI



Integrates Somfy RTS and Somfy Digital Network™ (SDN) motorized applications with RadioRA® 2, HomeWorks® QS, GRAFIF Eye® QS, and Quantum™ control systems.

1870210

### SOMFY CONNECT™ UNIVERSAL AUTOMATION INTERFACE (UAI) PLUS



The Somfy Connect™ Universal Automation Interface (UAI) Plus allows for commissioning and integrating Somfy Digital Network™ (SDN) over IP.

1870272

### SOMFY CONNECT™ BMS INTERFACE



Provides communication between building management systems and SDN motorized shading systems.

1870249

# CONTROL ACCESSORIES

Learn more about Somfy Digital Network™ (SDN) RS485 controls and accessories at [www.somfy.com/sdn](http://www.somfy.com/sdn)



## SOMFY DIGITAL NETWORK™ (SDN) RS485

### POWER PANEL FOR SDN



The Power Panel is an SDN bus distribution component used to add 10 isolated motor ports and two isolated device ports to an SDN bus segment.

1870259

### DATA PANEL



The Data Panel is a bus distribution component used to start or grow a Somfy Digital Network™ (SDN) system. This device adds 4 isolated bus segments to an SDN system.

1870260

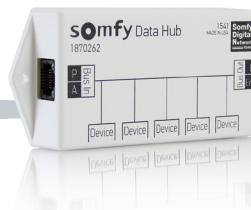
### BUS & SENSOR STATION POWER SUPPLY



The Somfy Bus and Sensor Station Power Supply provides 24V DC power to the SDN bus. Each Power Supply can provide power to up to 100 bus line devices (excluding motors).

1822440

### DATA HUB



The Data Hub is a Somfy Digital Network™ (SDN) bus distribution component which adds 5 device ports to an SDN Bus line.

1870262

### SDN MINI DATA HUB



The SDN Mini Data Hub is a Somfy Digital Network™ (SDN) bus distribution component which adds 3 Device Ports to an SDN Bus line.

1870277

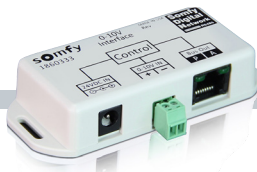
### SDN ROOM CONTROLLER HUB



The SDN Room Controller Hub is a Somfy Digital Network™ (SDN) component which features 4 Motor Ports and 1 Device Port as an SDN Room controller. This product is powered by the RS485 motors using grey Somfy communication cables.

1870278

### SDN 0-10V INTERFACE



The 0-10V Interface is a Somfy Digital Network™ (SDN) device which receives industry standard 0-10V control input to operate SDN RS485 motors.

10-Position Version: 1860333  
11-Position Version: 1870489

### RTS RECEIVER FOR SDN AND ANIMEO® IP



The RTS Receiver for SDN connects directly to the SDN bus and is fully compatible with all RTS transmitters. Control up to 5 groups of motors on the network using an RTS transmitter. The Receiver obtains its power directly from the bus — no external power required.

RTS Receiver for SDN: 1822294

The RTS Receiver for animeo® IP provides communication between building management systems and SDN motorized shading systems.

RTS Receiver for animeo® IP: 1822447

# CONTROL ACCESSORIES

## DECOFLEX DIGITAL KEYPADS (RS485)



### STAND-ALONE SDN

### SDN GROUP KEYPADS

### animeo® IP



White: 6 Button 1811252  
Black: 6 Button 1811311  
Ivory: 6 Button 1811334

White: 8 Button 1811253  
Black: 8 Button 1811312  
Ivory: 8 Button 1811335

White: 6 Button 1811749

White: 8 Button 1811750

White: 6 Button 1811288  
Black: 6 Button 1811328  
Ivory: 6 Button 1811332

White: 8 Button 1811289  
Black: 8 Button 1811329  
Ivory: 8 Button 1811333

**NOTE:** Custom button ordering form available at [www.somfypro.com/decoflex-custom-button](http://www.somfypro.com/decoflex-custom-button)  
Visit tools page for software to configure keypads, [www.somfypro.com/services-support/software](http://www.somfypro.com/services-support/software)

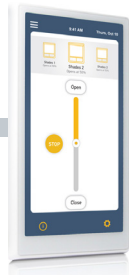
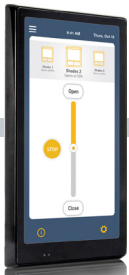
## POWER OVER ETHERNET TECHNOLOGY



### POE CONTROLS

### POE GATEWAY

Power over Ethernet



PoE Touch Panel Room Controller  
Black  
1870731

PoE Touch Panel Room Controller  
White  
1870811

The SDN Power over Ethernet (PoE) Gateway is a low voltage power distribution and network-connected module that utilizes PoE (Power over Ethernet) technology to power and control the Somfy® 24V RS485 motorization offer for shades and draperies.

1860326

The Somfy PoE Touch Panel Room Controllers are touch screen interfaces that send commands, receive position status and allows grouping of SDN motors connected to Somfy POE Gateways.

## DRY CONTACT TECHNOLOGY



### DRY CONTACT SWITCHES



Sonesse® 30 DCT  
White Wall Switch - 1800219  
Ivory Wall Switch - 1800220

Sonesse® 50 DCT  
Dry Contact Switch  
1800410

## animeo® IP



animeo IP is a total solar management system utilizing Somfy-powered intelligent motorized window coverings as well as digital keypads and weather sensors. The system's controllers, sensors and keypads can be added to both new and existing Somfy Digital Network installations for comprehensive solar management as either a stand-alone solution or integrated into third-party control systems. An intuitive user interface allows for simplified commissioning, building management and technical support, featuring drag-and-drop programming, motor auto discovery and at-a glance system status update.

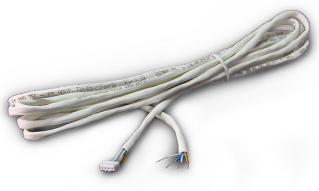



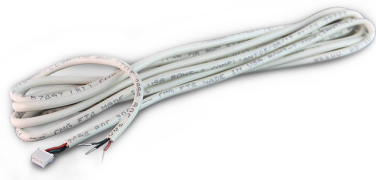

Please visit [www.somfysystems.com/animeo-ip](http://www.somfysystems.com/animeo-ip) to learn more.




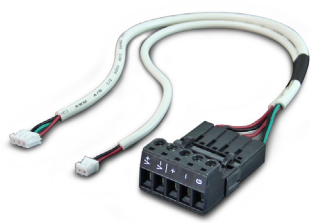


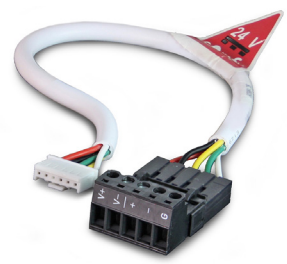

animeo IP Building Controller  
1822314

# LOW VOLTAGE POWER ACCESSORIES - CABLES AND PIGTAILS

## SONESSE® 30 OPTIONAL POWER/CONTROL MOTOR CABLES

<p>Sonesse® 30 Dry Contact Closure (DCT) Cable</p>	<p>Sonesse® 30 24V DC 2 Conductor Power Cable</p>	<p>Sonesse® 30 RS485 New JST to RJ45 Communication Cable</p>
		 <p><i>Used for limit setting and operation of the motor.</i></p>
<p>9014793 7.5' length</p>	<p>9014794 7.5' length</p>	<p>9019191 8.2' length</p>
<p>Sonesse® 30 RS485 Control Cable *</p>	<p>Sonesse® 30 RS485 Communication **</p>	<p>Low Voltage RS485 Motor Limit Setting Cable</p>
		
<p><i>*Used for any Sonesse 30 RS485 motor manufactured before June 4, 2014</i></p>	<p><i>**Used for any Sonesse 30 RS485 motor manufactured after June 4, 2014</i></p>	
<p>9015842 7.5' length</p>	<p>9019190 7.5' length</p>	<p>9019873 20' Length</p>

## SONESSE® PIGTAILS

<p>Weidmüller 2-Position Connector</p>	<p>Sonesse® 30 DC RS485 Cable Data and Power Pigtail</p>	<p>SDN Motor Male Connector</p>
		
<p>9027985</p>	<p>9020261</p>	<p>9020743</p>
<p>Sonesse® ULTRA 50 DC RTS Cable Power Pigtail</p>	<p>Sonesse® ULTRA 50 DC RS485 Cable Data and Power Pigtail</p>	<p>SDN Motor Female Connector</p>
		
<p>9020005</p>	<p>9020004</p>	<p>9025113</p>

# LOW VOLTAGE POWER ACCESSORIES - CABLES AND PIGTAILS

## SDN LOW-VOLTAGE MOTOR POWER AND DATA CABLE

### Overview:

The SDN Low-voltage Motor Power and Data Cable is the power and communication backbone that connects low-voltage Somfy Digital Network™ (SDN) RS485 motors including the Sonesse® ULTRA 50 DC RS485 motor and Sonesse® 30 RS485 Motor to Somfy's Power Panel for SDN. Within a single jacket, this cable includes (1) 14 AWG power pair, (1) 22 AWG stranded, twisted and shielded data triad and (1) 24 AWG drain wire for the most reliable data communication on the market. With this cable, motor wiring runs can reach up to 240 ft. This cable is offered in plenum rated and non-plenum rated versions.

Now available for purchase directly from Somfy.



#9020126  
Non-plenum rated



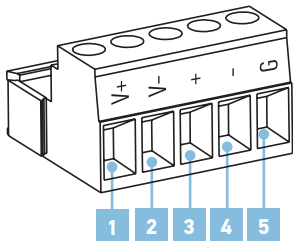
#9020127  
Plenum rated

### Technical Specifications

Electrical Specifications:	9020126	9020127
22 AWG Data Triad		
Conductor DCR:	16.6 Ω/1,000 ft.	15.7 Ω/1,000 ft.
Capacitance:	12.5 pF/ft.	12 pF/ft.
Impedance:	100 Ω	107 Ω
14 AWG Power Pair		
Conductor DCR:	2.7 Ω/1,000 ft.	4.05 Ω/1,000 ft.
Max voltage:	300V	
Max current:	8A@77°F	
Cable diameter:	0.284 in. (7.21 mm)	0.277 in. (7.04 mm)
Cable jacket:	White	Yellow w/ black stripe
Cable jacket material:	Polyvinyl Chloride(PVC)	Plenum Rated Polyvinyl Chloride(PVC)
Operating temperature:	-4°F to 167°F (-20°C to 75°C)	32°F to 167°F (0°C to 75°C)
Weight:	0.056 lb./ft. or 56 lbs./1,000 ft. roll	0.059 lb./ft. or 59 lbs./1,000 ft. roll

- Cable type:
  - Twisted wire - non-shielded:
    - 2 x 14 AWG 41-strand annealed bare copper conductors
  - Twisted and shielded:
    - 3 x 22 AWG 7-strand annealed bare copper conductors
    - 1 x 24 AWG: 7 strand, tinned copper (drain)
- Shield type: 100% aluminum/poly shield foil
- Cable length per spool: 1000 ft.
- Ripcord: Nylon
- Regulatory Certification(s):
  - NEC rated CL3R or CL3P
  - EU RoHS-2 2011/65/EU Compliant
  - UL13 compliant in accordance to NEC article 725

### Connections and Indicators:



ELEMENT	FUNCTION
1 Voltage/Power - positive	24V DC Power positive input
2 Voltage/Power - negative	24V DC Power negative input
3 SDN RS485 - positive	Data communication - positive
4 SDN RS485 - negative	Data communication - negative
5 SDN RS485 - ground	Data communication - ground

### Features:

- Accommodate longer wiring distances with installation lengths up to 240 ft.
- Installation flexibility with plenum and non-plenum rated options
- Minimize ground noise produced by motors, switches or other electrical equipment
- Prevent signal corruption, damage to components connected to the bus, ground loops
- Protect against electrical line surges
- UL certified
- The only cable that meets the SDN 2.0 quality promise



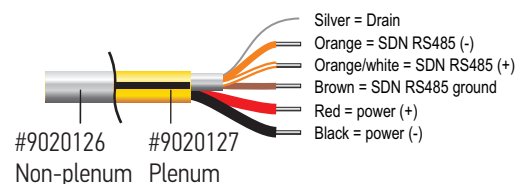
### Related Products:

- Sonesse® 50 ULTRA DC RS485 Motor #1134022
- Data and power pigtail (Sonesse® 50 ULTRA DC) #9020004
- Sonesse® 30 RS485 Motor #1000658
- Data and power pigtail (Sonesse® 30) #9020261
- Power Panel for SDN #1870259

### Cable Pinouts

#### Somfy SDN Low-voltage Motor Cable

Data and Power Cable  
24V DC / SDN Control  
5 conductor cable





# LOW VOLTAGE POWER ACCESSORIES - TRANSFORMERS AND TOOLS

## PLUG-IN

### PLUG-IN WALL TYPE



# of Motors	1 Motor
Dimensions	3.5" x 2.3" x 1.3"
Nominal Load	24V DC 1.67A
Part #	1822209

With 5 ft. cable - 20 AWG

Note: See Power Panel for SDN (#1870259) on page 11 for SDN RS485 Power Panel installations.



## LIMIT SETTING TOOLS

### LIMIT SETTING TOOL



Required for setting limits for Sonesse® 30 DCT motors

9014599

### RS485 LIMIT SETTING TOOL



Required tool for motor limit setting, advanced motor settings and discovering motors for SDN RS485 motors.

9017142

### LOW VOLTAGE RS485 MOTOR LIMIT SETTING CABLE



Cable used for connecting to low-voltage SDN RS485 motors to perform motor limit setting, advanced motor settings and discovery.

9019873

## POWER/CONTROL DISTRIBUTION ENCLOSURE OPTIONS

Not to be used with SDN installations

### 5 MOTOR - #1870196

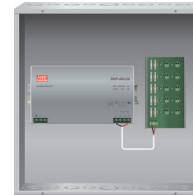


#### Kit includes:

- 1 - 5 Motor Distribution Panel
- 1 - 24V DC 10 Amp Power Supply
- 1 - 12 in. x 12 in. x 6.25 in. Enclosure



### 10 MOTOR - #1870192

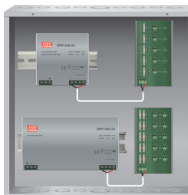


#### Kit includes:

- 1 - 10 Motor Distribution Panel
- 1 - 24V DC 20 Amp Power Supply
- 1 - 18 in. x 18 in. x 6.25 in. Enclosure



### 15 MOTOR - #1870197



#### Kit includes:

- 1 - 5 Motor Distribution Panel
- 1 - 10 Motor Distribution Panel
- 1 - 24V DC 10 Amp Power Supply
- 1 - 24V DC 20 Amp Power Supply
- 1 - 18 in. x 18 in. x 6.25 in. Enclosure



### 20 MOTOR - #1870198

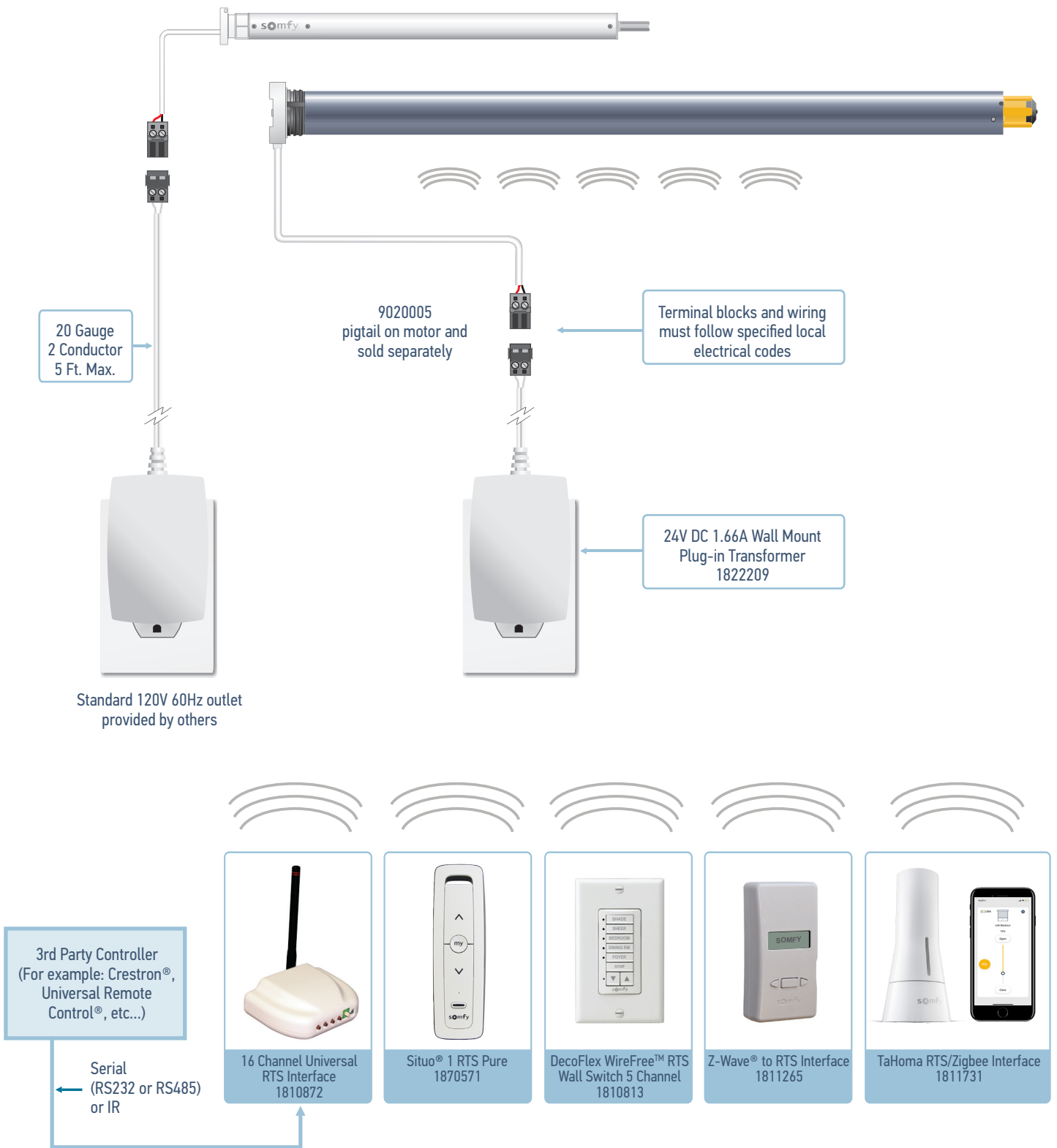


#### Kit includes:

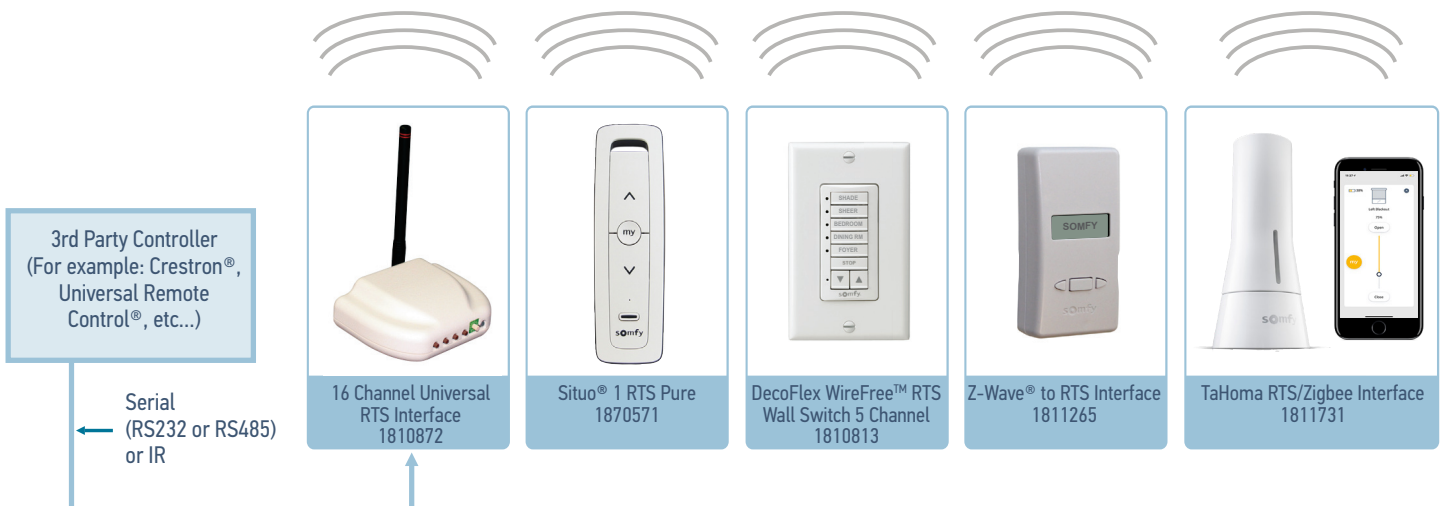
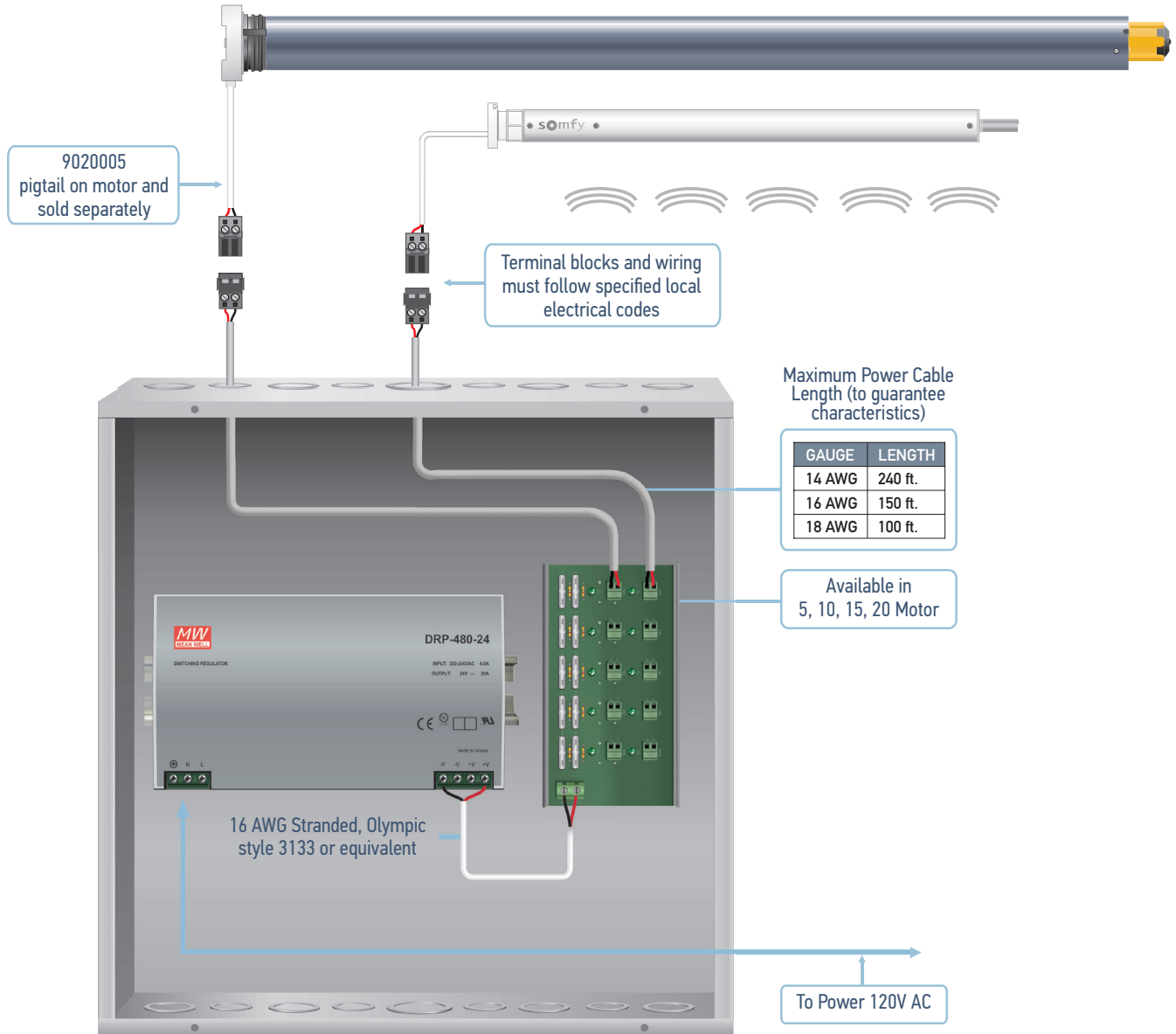
- 2 - 10 Motor Distribution Panel
- 2 - 24V DC 20 Amp Power Supply
- 1 - 18 in. x 18 in. x 6.25 in. Enclosure



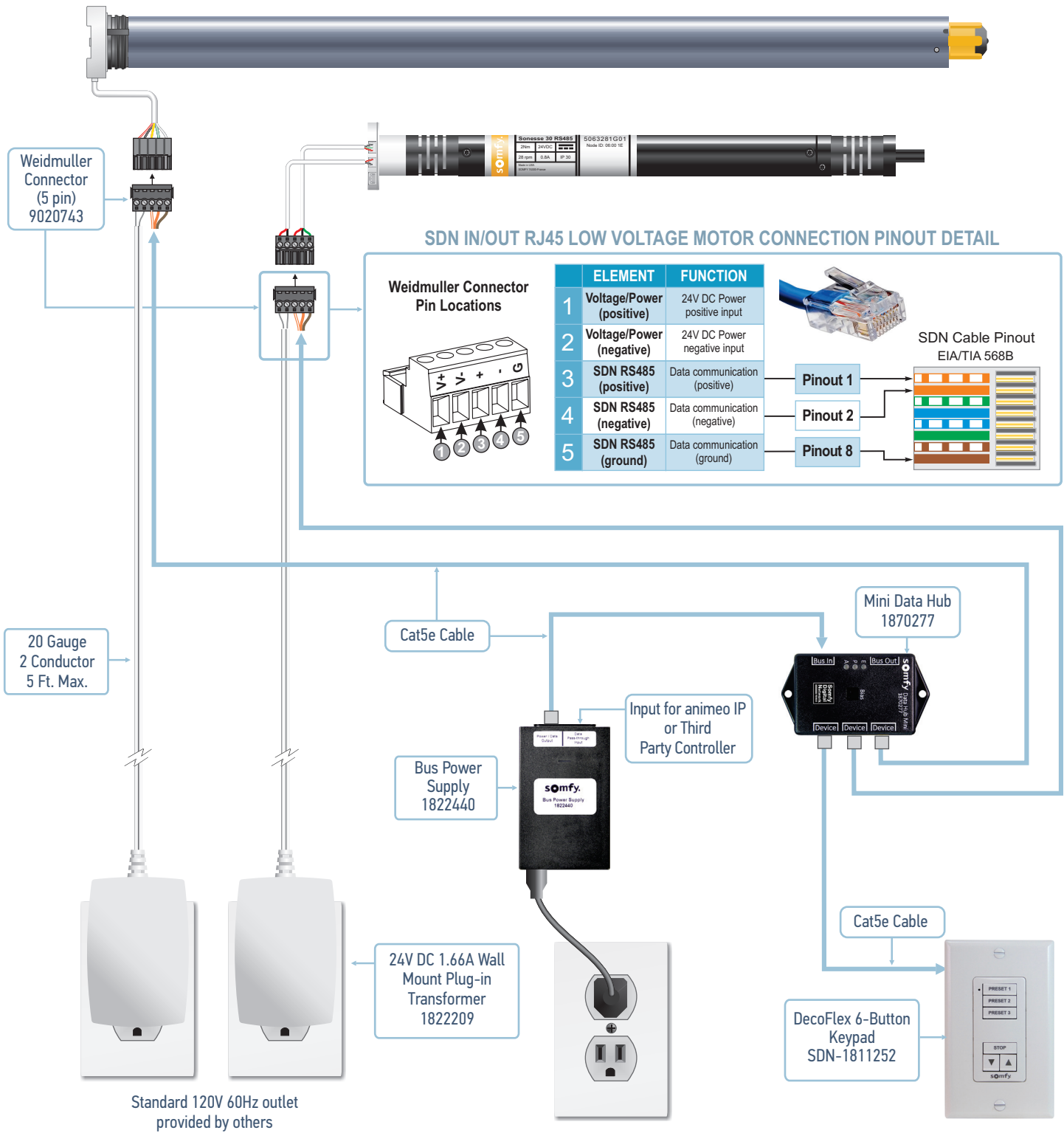
# LOW VOLTAGE RTS CONTROL & PLUG-IN STYLE POWER



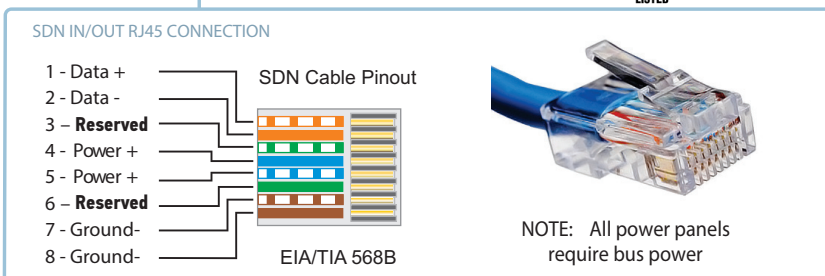
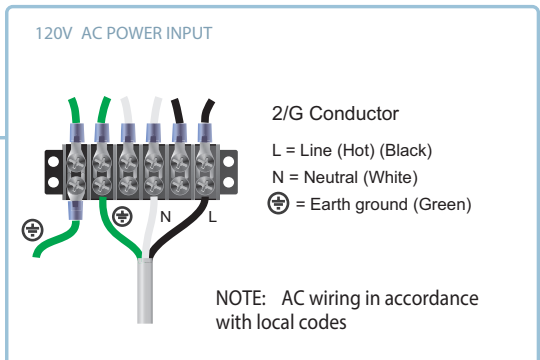
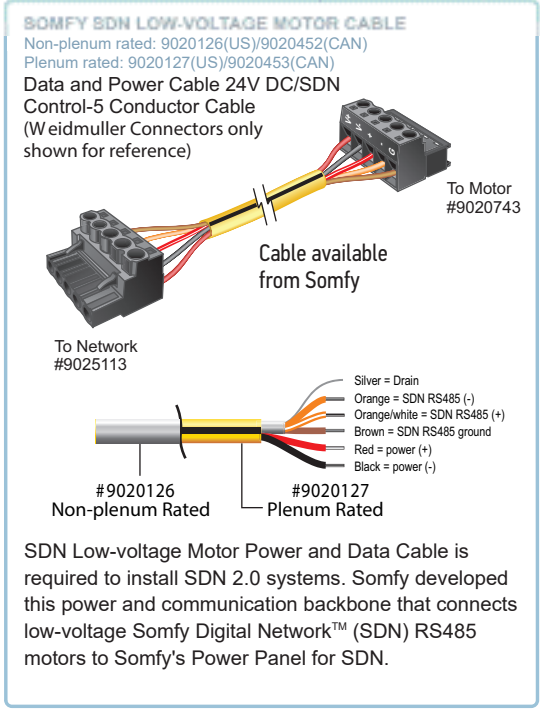
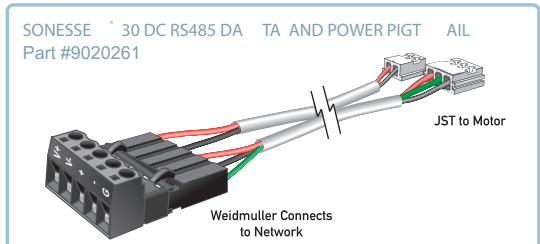
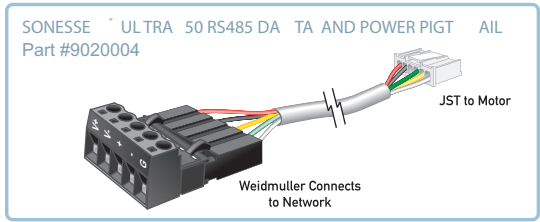
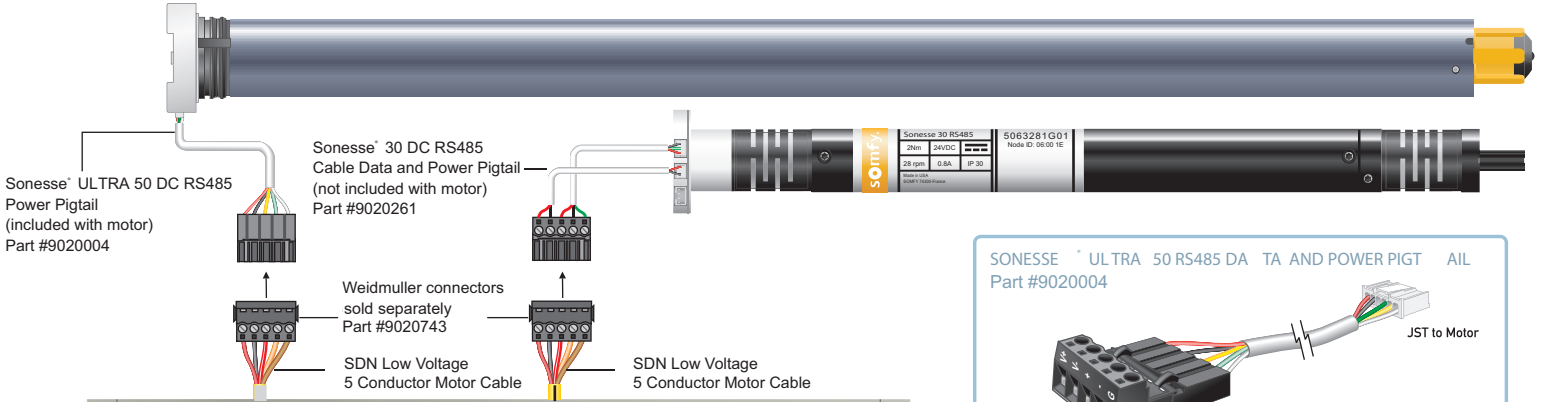
# LOW VOLTAGE RTS CONTROL & POWER DISTRIBUTION



# LOW VOLTAGE RS485 CONTROL & PLUG-IN STYLE POWER

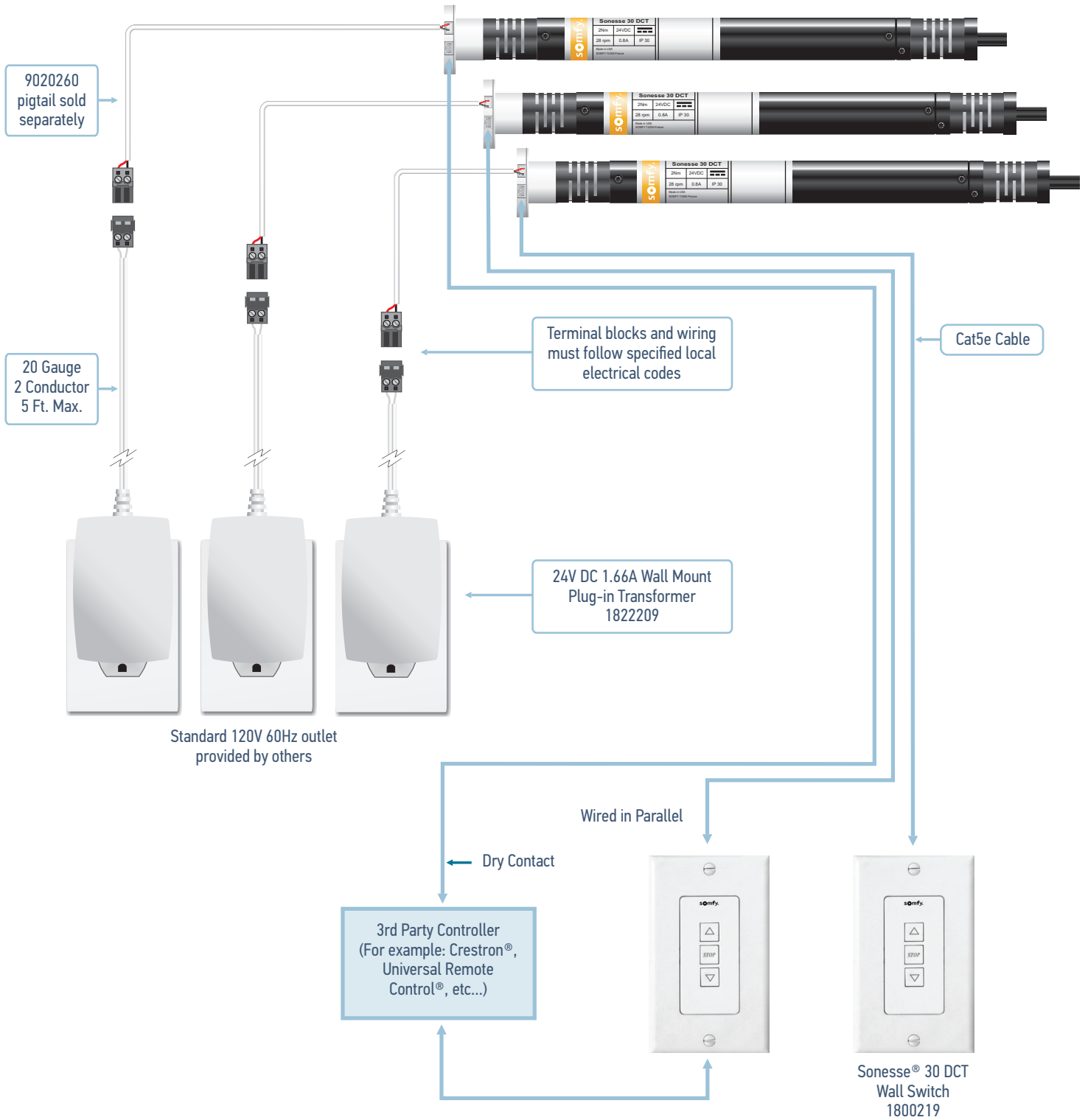


# LOW VOLTAGE RS485 CONTROL & POWER DISTRIBUTION



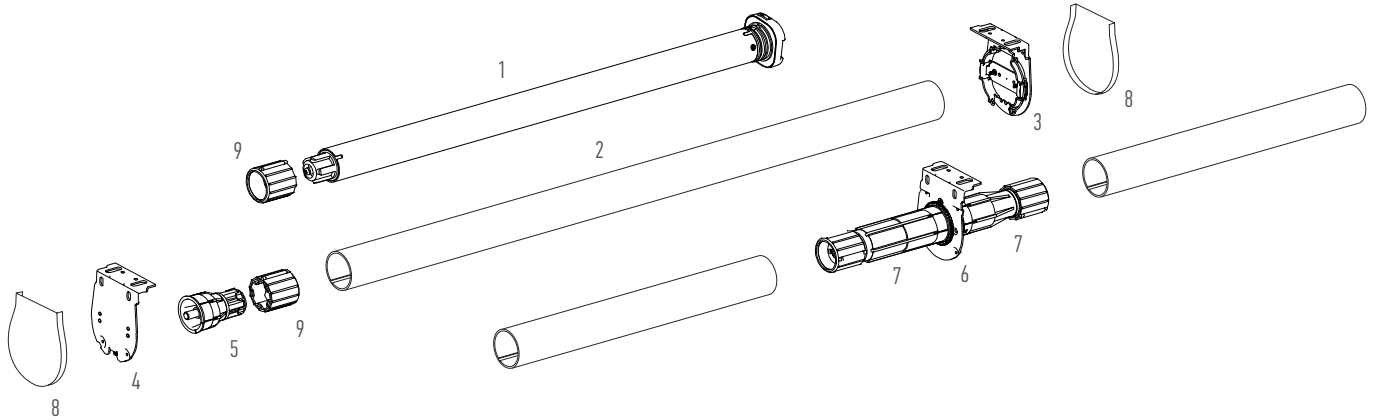
# LOW VOLTAGE DRY CONTACT & PLUG-IN STYLE POWER

## APPLICATION EXAMPLE

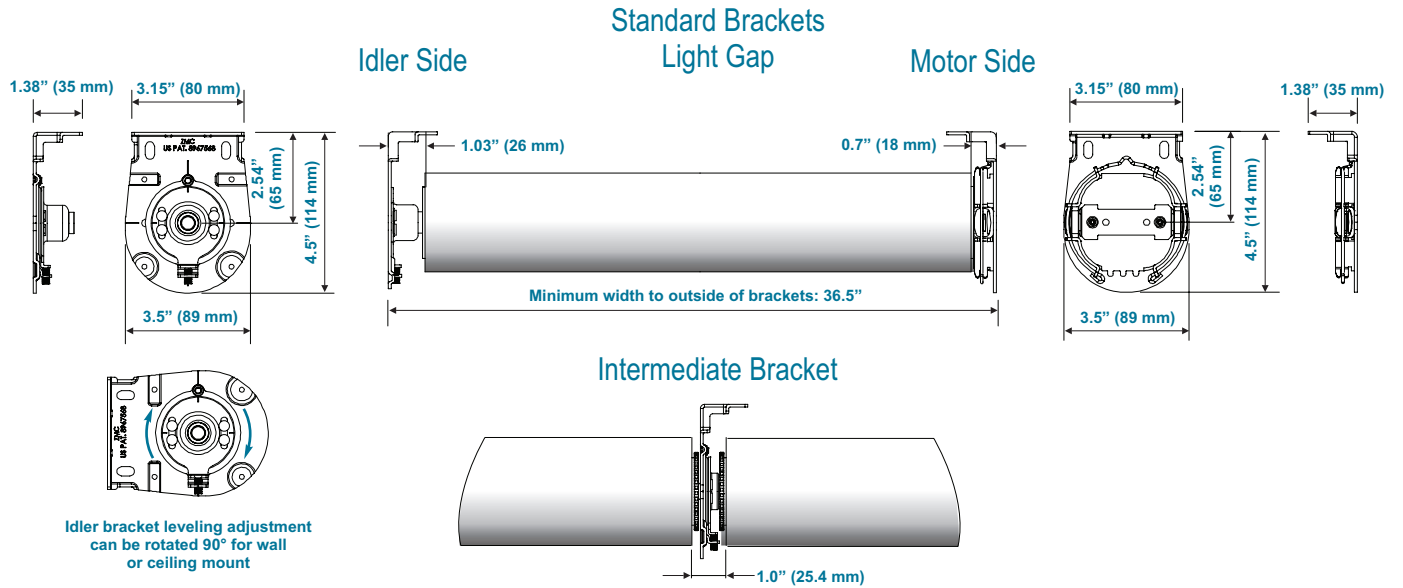


# SONESSE® ULTRA 50 DC HARDWARE SYSTEMS - ZMC®

## STANDARD BRACKET COMPONENTS



## DIMENSIONS AND LIGHT GAP SPECIFICATIONS

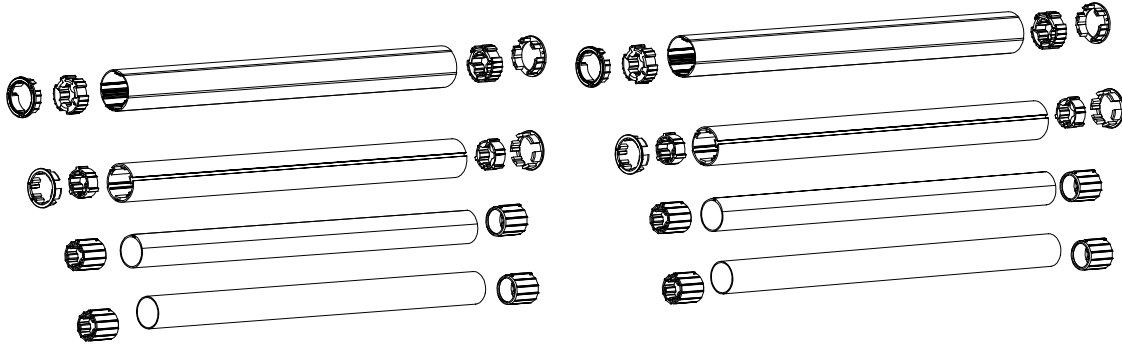


## PRODUCT CHART

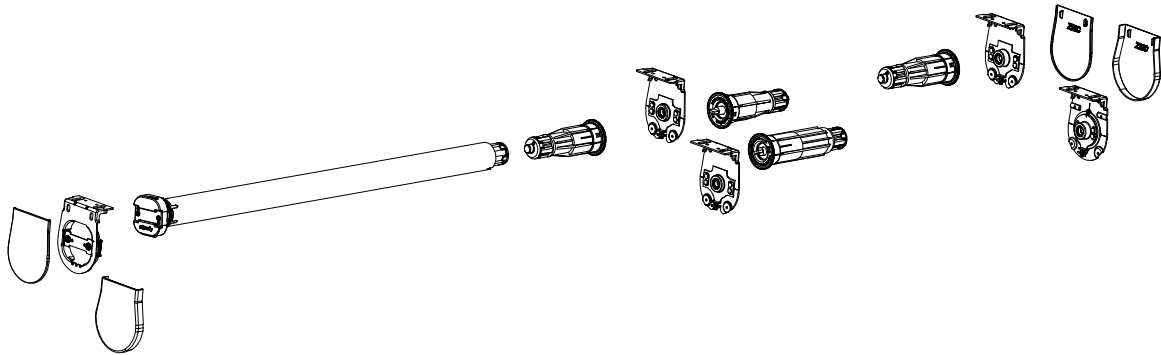
IMAGE	DESCRIPTION	CATALOG NUMBER
1	SONESSE® ULTRA 50 DC MOTOR (RTS) #1134023, RS485 #1134022	
2	ZMC 2" GROOVED MOTOR TUBE (PER FOOT)	9020965
3	SONESSE® ULTRA 50 DC MOTOR BRACKET WITH SPRING RING	9020957
4	SONESSE® ULTRA 50 DC IDLER BRACKET (10 MM BALL) (ADJUSTABLE WALL OR CEILING MOUNT)	9020958
5	SONESSE® ULTRA 50 DC UNIVERSAL SHORT IDLER END (10 MM)	9020959
6	SONESSE® ULTRA 50 DC INTERMEDIATE BRACKET (10 MM) (ADJUSTABLE WALL OR CEILING MOUNT)	9020961
7	SONESSE® ULTRA 50 DC INTERMEDIATE AND INDEXABLE COUPLER (10 MM SHAFT)	9020962
8	SONESSE® ULTRA 50 DC MOTOR AND IDLER BRACKET COVER	9020963
9	ZMC 2" GROOVED TUBE DRIVE WHEEL FOR SONESSE® ULTRA 50 MOTORS	9020964

# SONESSE® ULTRA 50 DC HARDWARE SYSTEMS - ZMC®

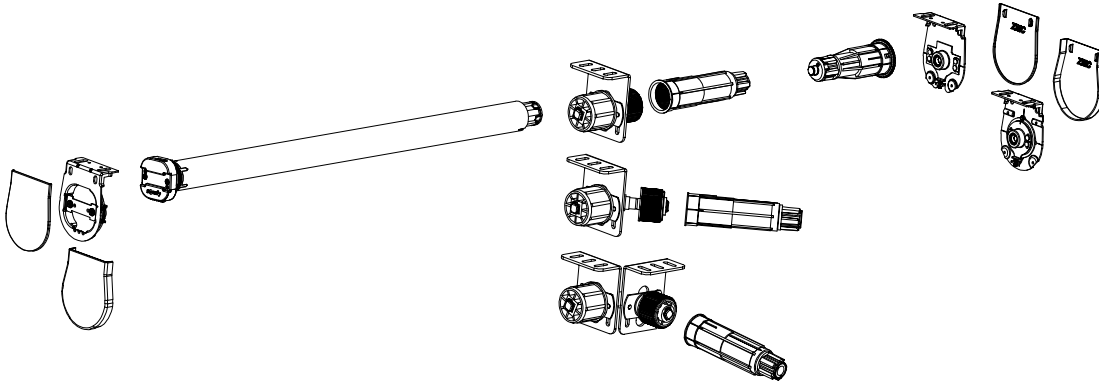
## STANDARD AND ROLLER TUBE ACCESSORIES



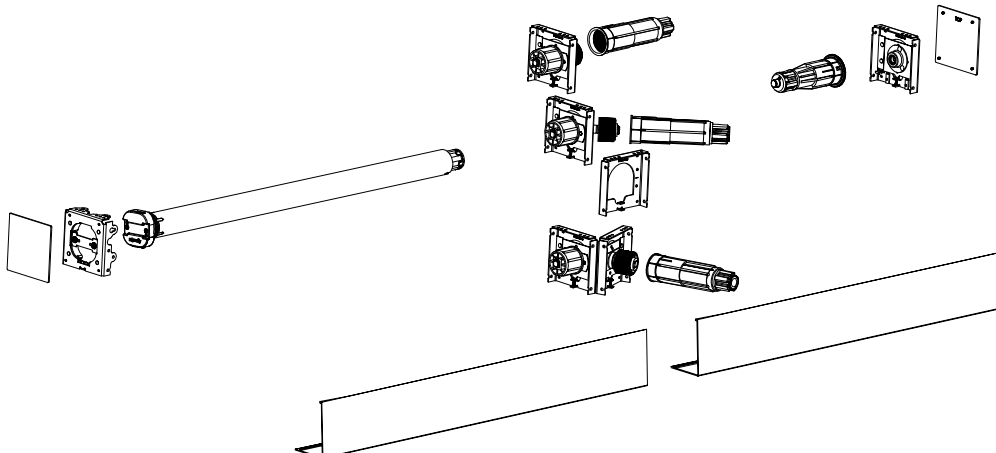
## MOTOR BRACKETS AND ACCESSORIES FOR SONESSE ULTRA 50 DC MOTORS



## MOTOR U-JOINT INDEXABLE BRACKET FOR SONESSE ULTRA 50 DC MOTORS



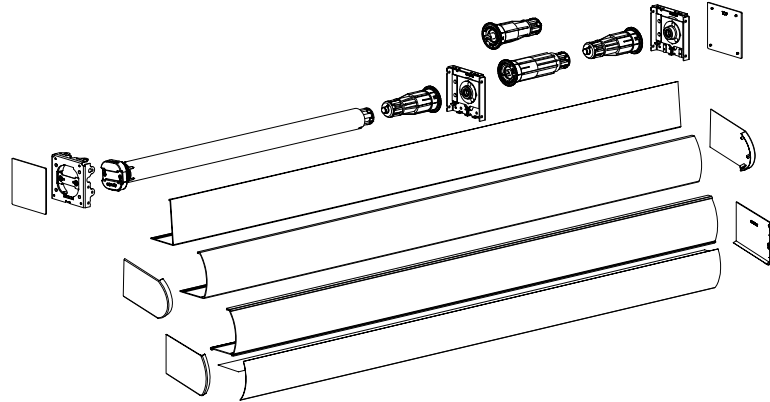
## 4" ADJUSTABLE U-JOINT INDEXABLE FASCIA BRACKET FOR SONESSE ULTRA 50 DC MOTORS



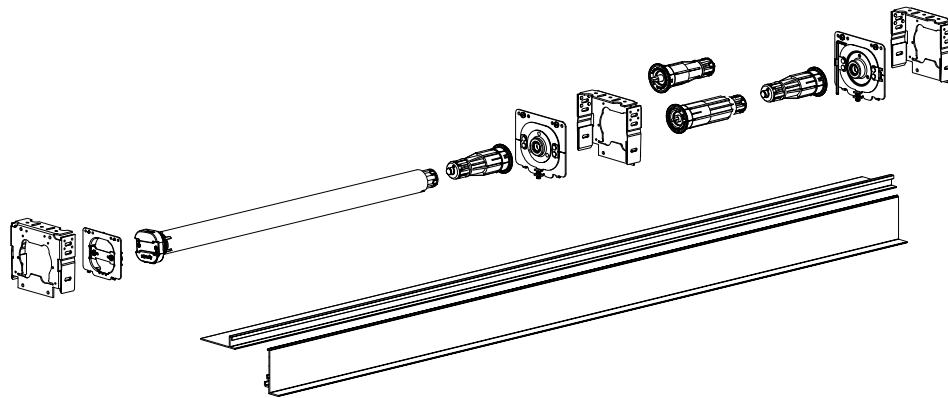


# SONESSE® ULTRA 50 DC HARDWARE SYSTEMS - ZMC®

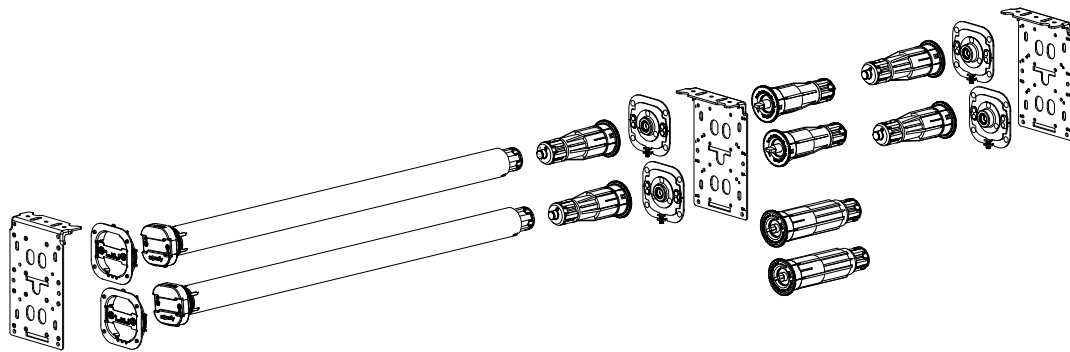
## 4" FASCIA BRACKETS FOR SONESSE ULTRA 50 DC MOTORS



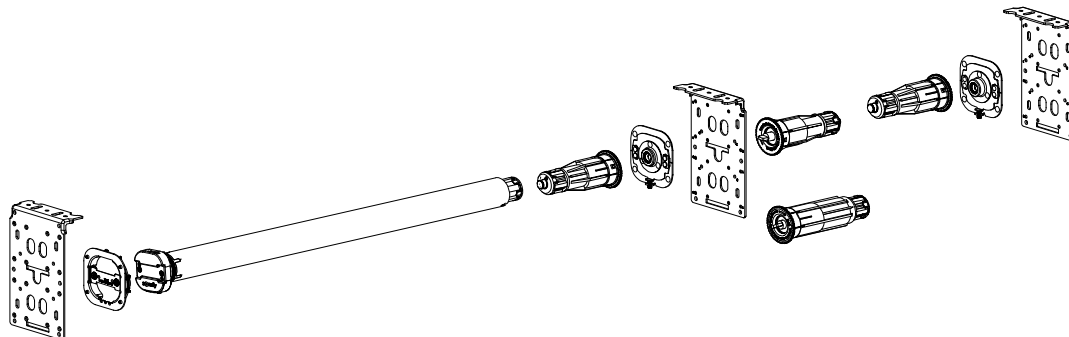
## 5.5" FASCIA SYSTEM FOR SONESSE ULTRA 50 DC MOTORS



## 7.5" OPEN ROLL DUO BRACKET FOR SONESSE ULTRA 50 DC MOTORS

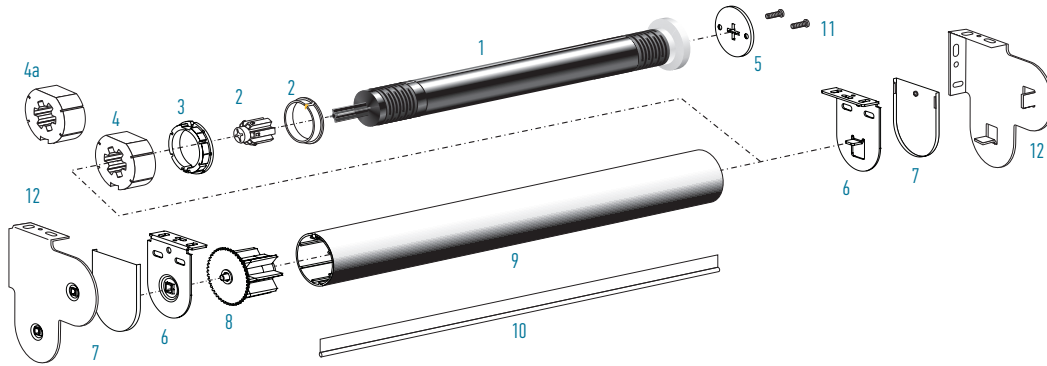


## 7.5" OPEN ROLL SINGLE BLIND BRACKET FOR SONESSE ULTRA 50 DC MOTORS

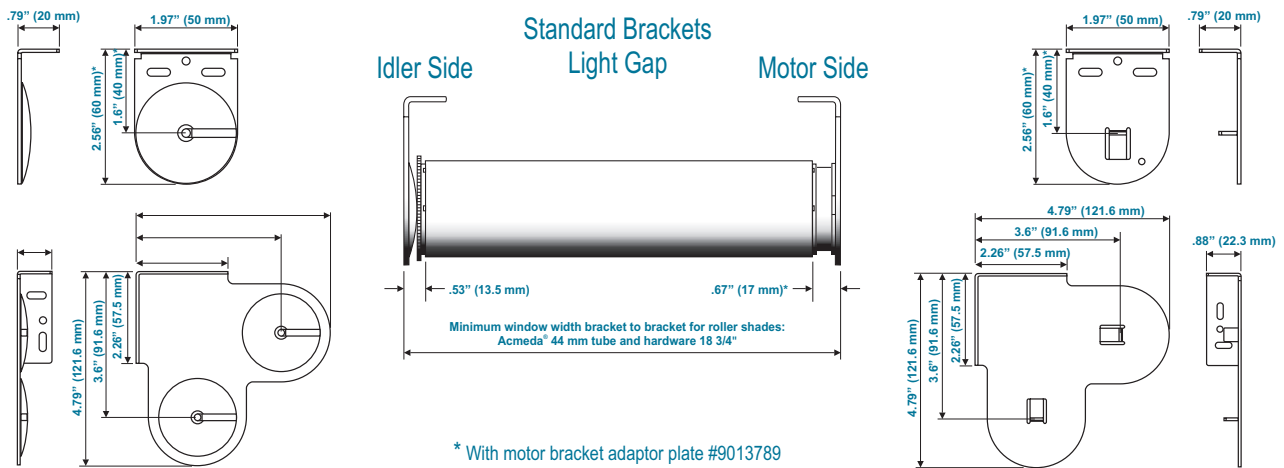


# SONESSE® 30 HARDWARE SYSTEMS - Acmeda®

## STANDARD BRACKET COMPONENTS



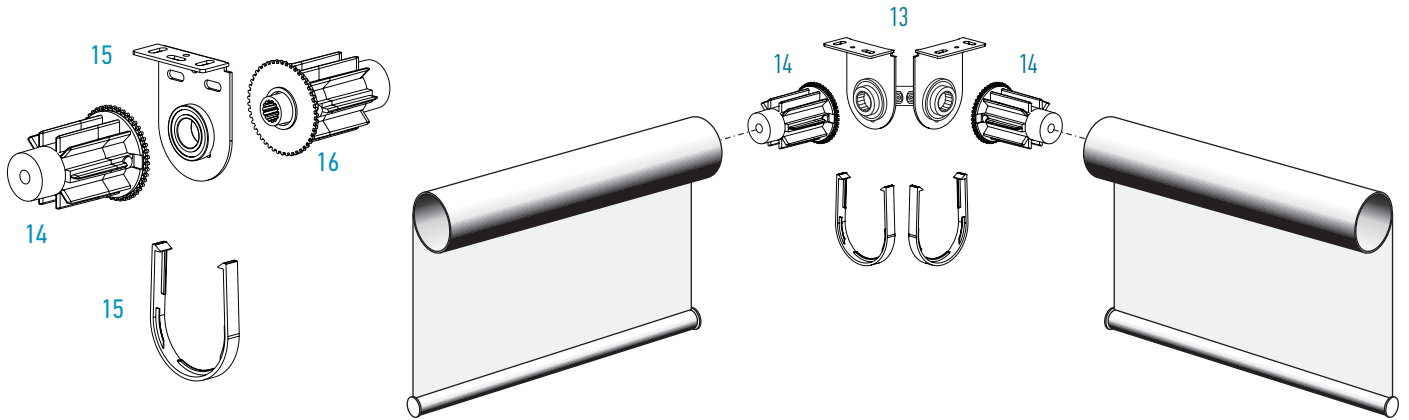
## DIMENSIONS AND LIGHT GAP SPECIFICATIONS



## PRODUCT CHART

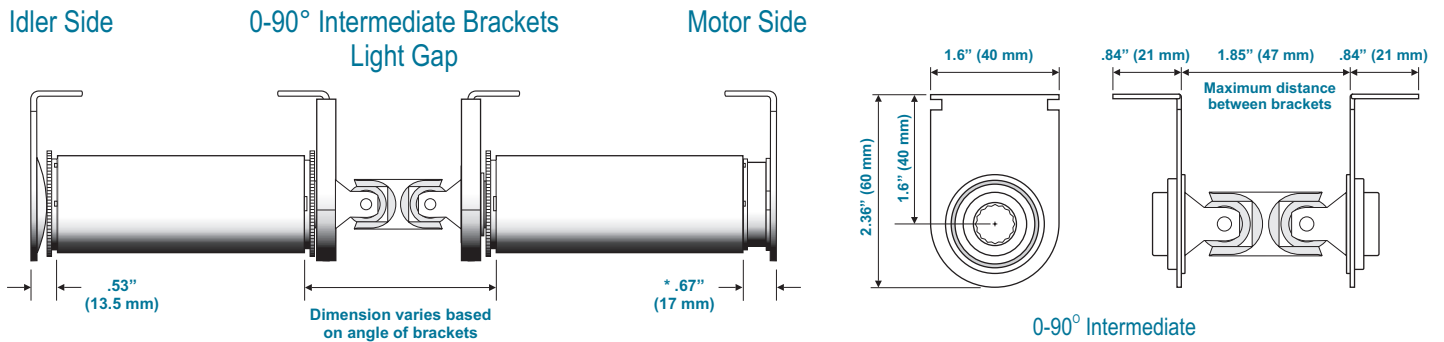
IMAGE	DESCRIPTION	CATALOG NUMBER
1	SONESSE® 30 MOTOR (RTS) #1001524, RS485 #1000658, DTC #1000668	
2	SONESSE® 30 TO LS40 ADAPTOR KIT (Required part for conversion)	9013776
3	CROWN ADAPTOR 44 MM TUBE (ACMEDA TYPE)	9013791
4	DRIVE WHEEL 44 MM (ACMEDA TYPE)	9013790
4A	SILENT DRIVE WHEEL 44 MM (ACMEDA TYPE)	9015259
5	MOTOR BRACKET ADAPTOR PLATE (ACMEDA TYPE)	9013789
6	MOTOR & IDLER BRACKET KIT 40P (ACMEDA TYPE)	9013778
7	PLASTIC BRACKET COVER 40P KIT (ACMEDA TYPE)	9013780
8	IDLER END PLUG 44 MM TUBE (ACMEDA TYPE)	9013774
9	44 MM ALUMINUM TUBE (16 FT. MAX LENGTH)	1780688
10	TUBE SPLINE 44 MM TUBE (ACMEDA TYPE)	1780687
11	M 3.5 x 9 MM SCREWS	9014066
12	MOTOR BRACKET COMBO SET 122 MM x 122 MM	9013782

## INTERMEDIATE BRACKET COMPONENTS

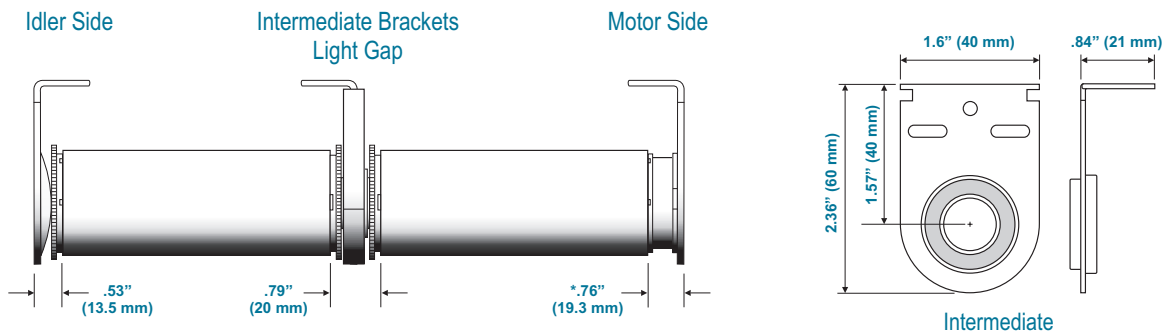


## DIMENSIONS AND LIGHT GAP SPECIFICATIONS

### 0-90° COUPLED SHADES



### IN-LINE COUPLED SHADES



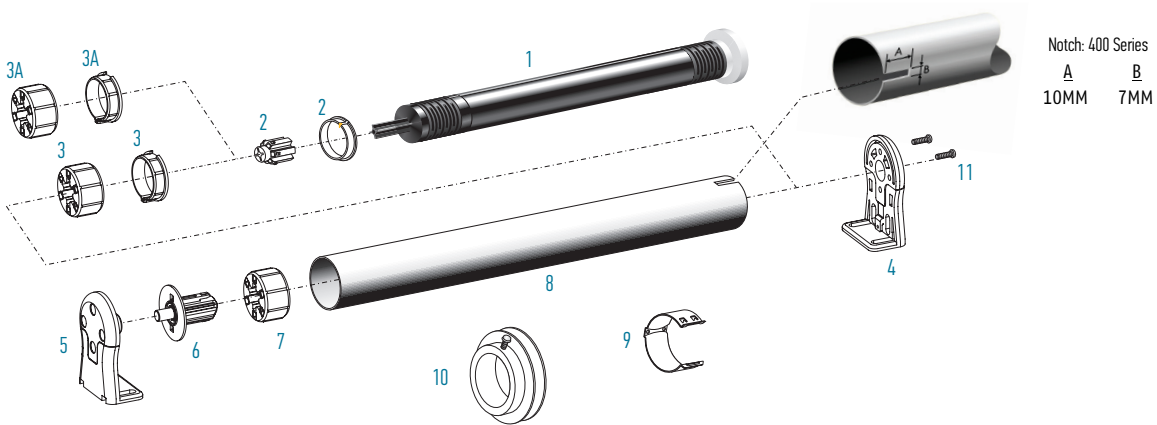
\* With motor bracket adaptor plate #9013789

## PRODUCT CHART

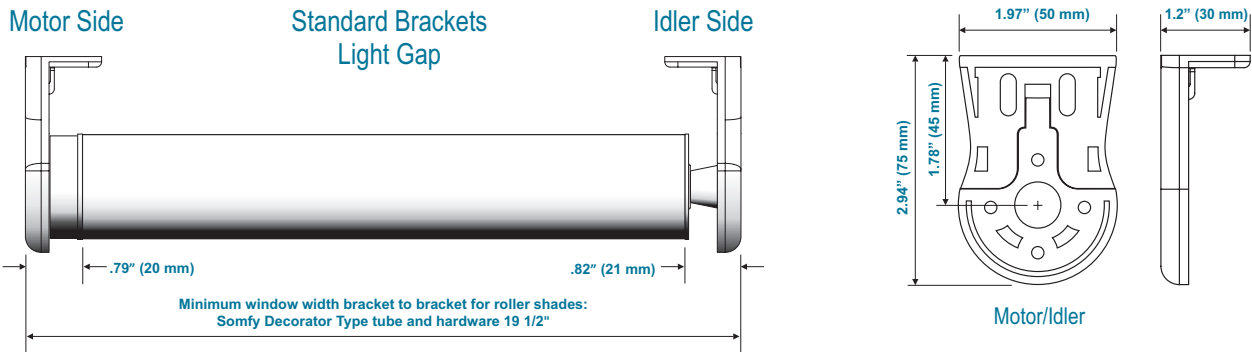
IMAGE	DESCRIPTION	CATALOG NUMBER
13	INTERMEDIATE BRACKET & COVER KIT 40P, 0-90 DEGREES (ACMEDA TYPE)	9013787
14	INTERMEDIATE MALE IDLER END PLUG (ACMEDA TYPE)	9013786
15	INTERMEDIATE BRACKET & COVER KIT 40P (ACMEDA TYPE)	9013783
16	INTERMEDIATE FEMALE IDLER END PLUG (ACMEDA TYPE)	9013785

# SONESSE® 30 HARDWARE SYSTEMS - Somfy® Decorator Type

## STANDARD BRACKET COMPONENTS



## DIMENSIONS AND LIGHT GAP SPECIFICATIONS

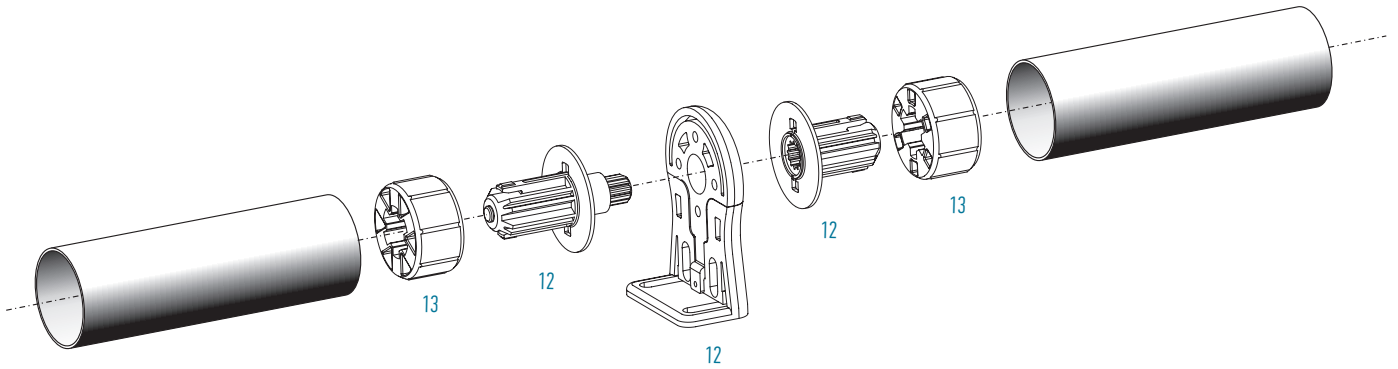


## PRODUCT CHART

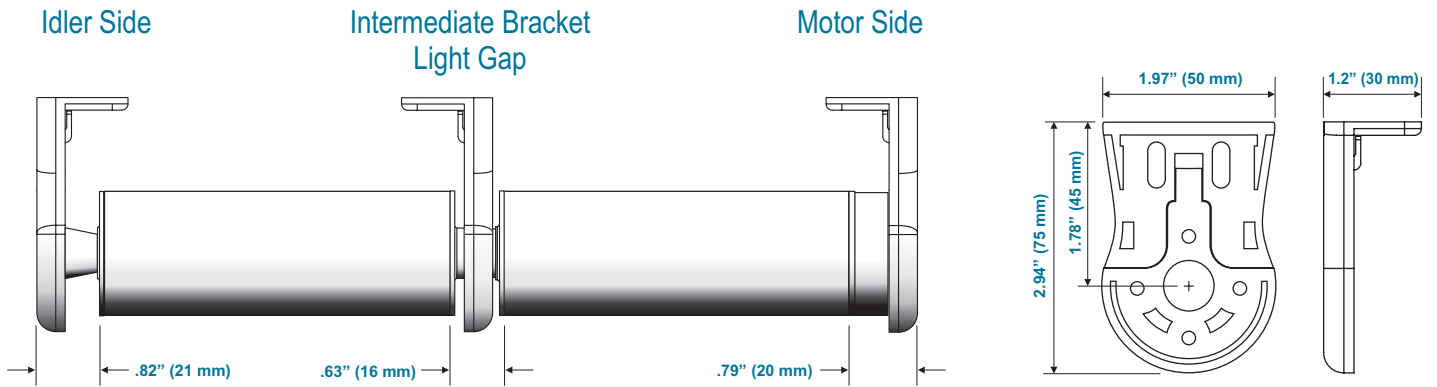
IMAGE	DESCRIPTION	CATALOG NUMBER
1	SONESSE® 30 MOTOR (RTS) #1001524, RS485 #1000658, DTC #1000668	
2	SONESSE® 30 TO LS40 ADAPTOR KIT (Required part for conversion)	9013776
3	CROWN AND DRIVE (SOMFY 40 MM x 1.5 MM ROUND TUBE)	9012224
3A	CROWN AND RUBBERIZED DRIVE (SOMFY 40 MM x 1.5 MM ROUND TUBE)	9016654
4	MOTOR BRACKET (DECORATOR TYPE)	9500683
5	IDLER END BRACKET (DECORATOR TYPE)	9500685
6	IDLER END PLUG (DECORATOR TYPE)	9500688
7	40 MM ROUND DRIVE (FOR USE WITH IDLER END PLUG)	9147544
8	SOMFY 40 MM ROUND TUBE (20 FT. MAX LENGTH)	1781153
9	CORD CLIPS FOR ROMAN SHADE APPLICATIONS	9012200
10	CORD TAKE-UP REEL (40 MM TUBE)	1781152
11	M3.5 x 9 MM SCREWS (Must be ordered separately when used with Sonesse® 30 motor range.)	9014066

# SONESSE® 30 HARDWARE SYSTEMS - Somfy® Decorator Type

## INTERMEDIATE BRACKET COMPONENTS



## DIMENSIONS AND LIGHT GAP SPECIFICATIONS

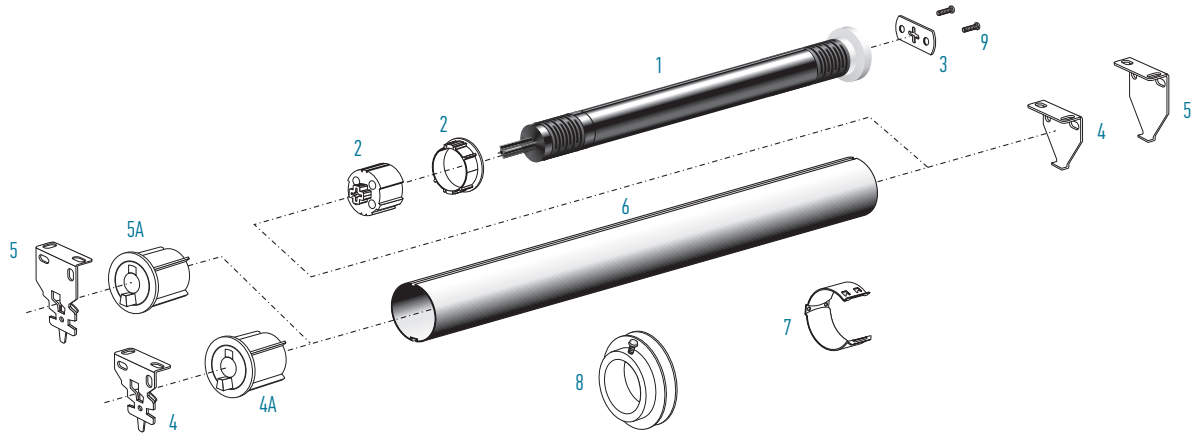


### PRODUCT CHART

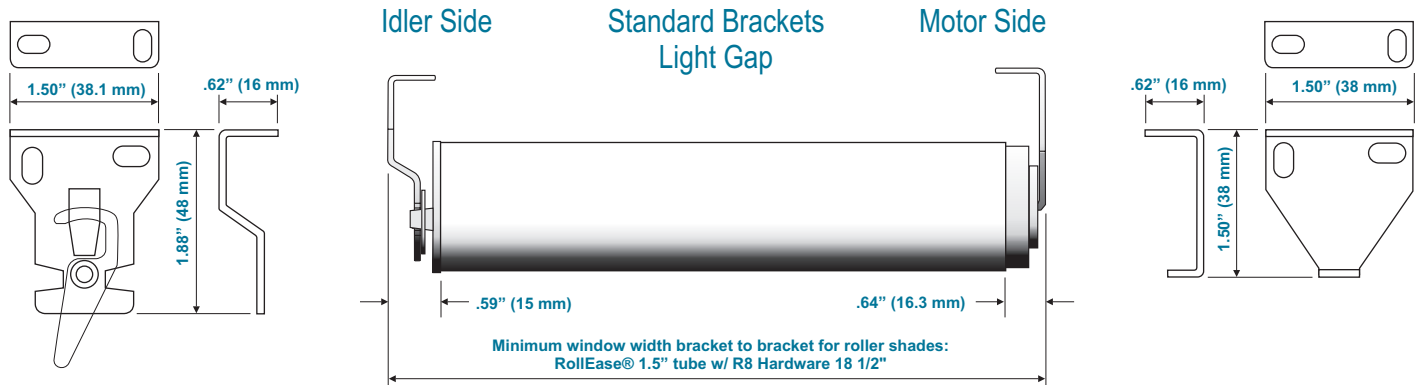
IMAGE	DESCRIPTION	CATALOG NUMBER
12	INTERMEDIATE BRACKET KIT (DECORATOR TYPE)	9500687
13	40 MM ROUND DRIVE (FOR USE WITH INTERMEDIATE BRACKET)	9147544

# SONESSE® 30 HARDWARE SYSTEMS - Rollease® Standard & ZMC® XR-Series

## STANDARD BRACKET COMPONENTS



## DIMENSIONS AND LIGHT GAP SPECIFICATIONS

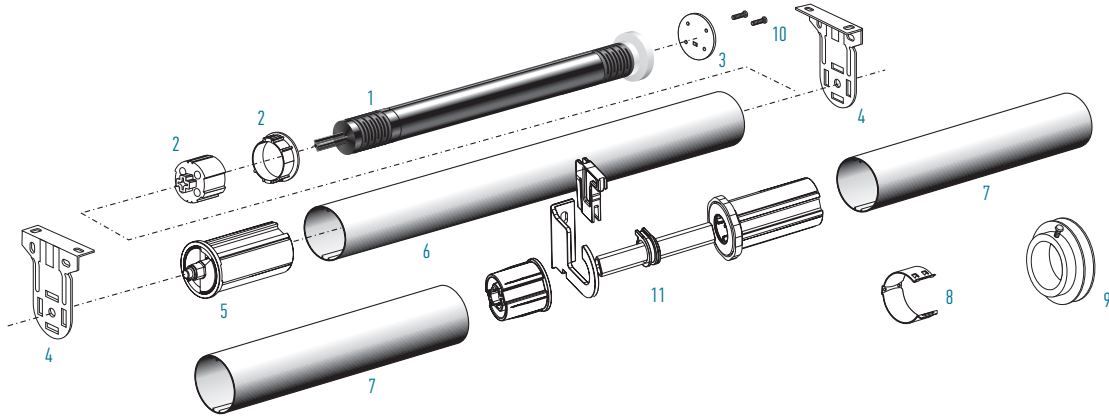


## PRODUCT CHART

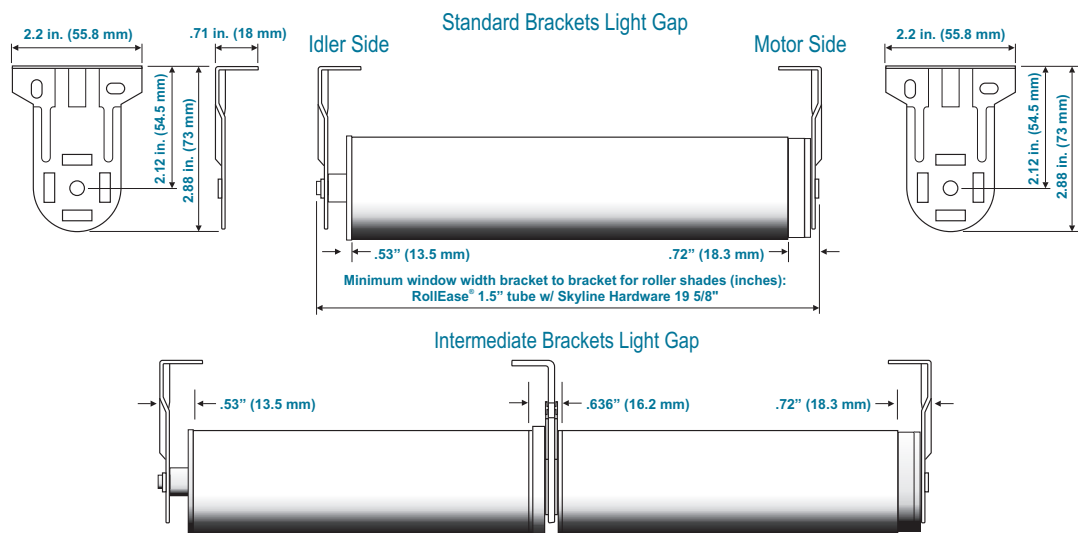
IMAGE	DESCRIPTION	CATALOG NUMBER
1	SONESSE® 30 MOTOR (RTS) #1001524, RS485 #1000658, DTC #1000668	
2	CROWN AND DRIVE FOR ROLLEASE® 1.5" TUBE	9013775
3	MOTOR ADAPTOR PLATE FOR ROLLEASE® R8 BRACKET WITH SCREWS	9014073
4	ROLLEASE® 1.5" BRACKET KIT R8 SERIES FOR SOMFY 40 MM ROUND TUBE	9012311
5	ROLLEASE® 1.5" PROJECTION BRACKET KIT R8 SERIES & ZMC® 1.5" PROJECTION XR-SERIES BRACKETS	CONTACT SOMFY/ZMC®
6	ROLLEASE® 2" BRACKET KIT R8 SERIES FOR SOMFY® 2" ROUND TUBE	9012313
7	ROLLEASE® 1.5" TUBE	9017913
8	ZMC® 1.5" Z-TUBE	CONTACT ZMC®
9	CORD CLIPES (FOR ROLLEASE® 1.5" TUBE & ZMC® 1.5" Z-TUBE)	9012200
10	TAKE-UP REEL (FOR ROLLEASE® 1.5" TUBE & ZMC® 1.5" Z-TUBE)	1780786
11	M3.5 x 9 MM SCREWS	9014066
12	MOTOR PLATE 9012258 (ROLLEASE® MOTOR BRACKET ACCES. R8 SERIES)	9012258

# SONESSE® 30 HARDWARE SYSTEMS - Rollease® Skyline™ and ZMC® XL-Series

## STANDARD BRACKET COMPONENTS



## DIMENSIONS AND LIGHT GAP SPECIFICATIONS

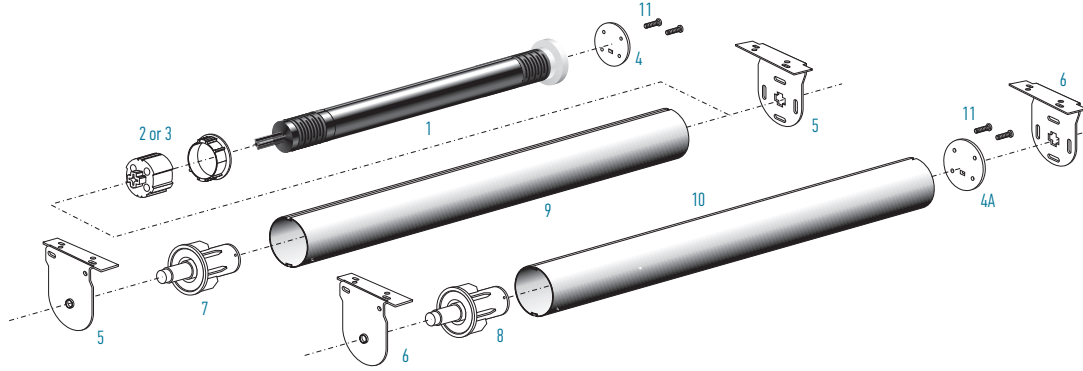


## PRODUCT CHART

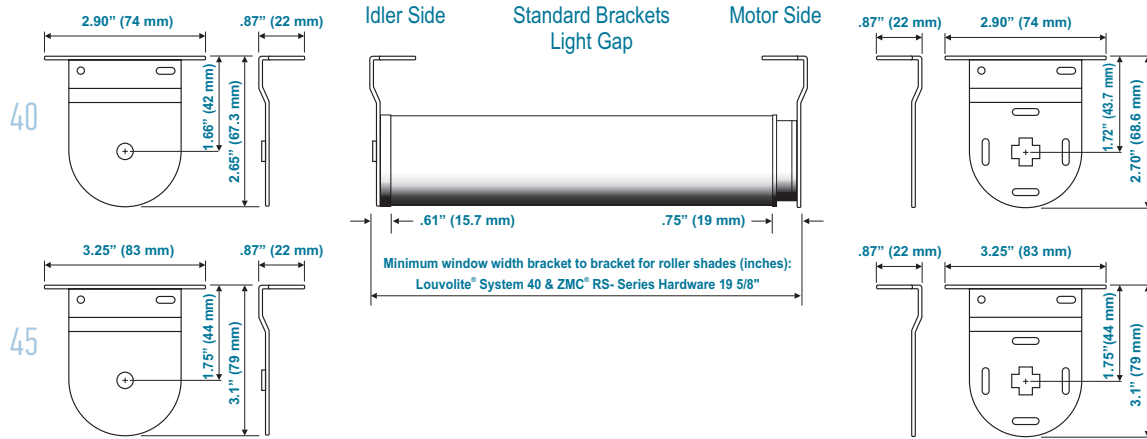
IMAGE	DESCRIPTION	CATALOG NUMBER
1	SONESSE® 30 MOTOR (RTS) #1001524, RS485 #1000658, DTC #1000668	
2	CROWN AND DRIVE (FOR ROLLEASE® 1.5" TUBE & ZMC® 1.5" Z-TUBE)	9013775
3	MOTOR ADAPTOR PLATE FOR ROLLEASE® SKYLINE™ BRACKETS W/SCREWS & ZMC® XL SERIES BRACKET	9016378
4	SKYLINE SERIES BRACKETS 1.5" PROJECTION (ROLLEASE®) (2 REQUIRED)	9017910
5	SKYLINE SERIES HEAVY DUTY IDLER END PLUG (FOR ROLLEASE® 1.5" TUBE)	9017912
6	ROLLEASE® 1.5" TUBE	9017913
7	ZMC® 1.5" Z-TUBE	CONTACT ZMC®
8	CORD CLIPS (FOR ROLLEASE® 1.5" TUBE & ZMC® 1.5" Z-TUBE)	9012200
9	TAKE-UP REEL (FOR ROLLEASE® 1.5" TUBE & ZMC® 1.5" Z-TUBE)	1780786
10	M3.5 x 9 MM SCREWS	9014066
11	ROLLEASE® SKYLINE SERIES INTERMEDIATE LINK SYSTEM	9016367

# SONESSE® 30 HARDWARE SYSTEMS - Louvolite® System 40 & ZMC® RS-Series

## STANDARD BRACKET COMPONENTS



## DIMENSIONS AND LIGHT GAP SPECIFICATIONS



## PRODUCT CHART

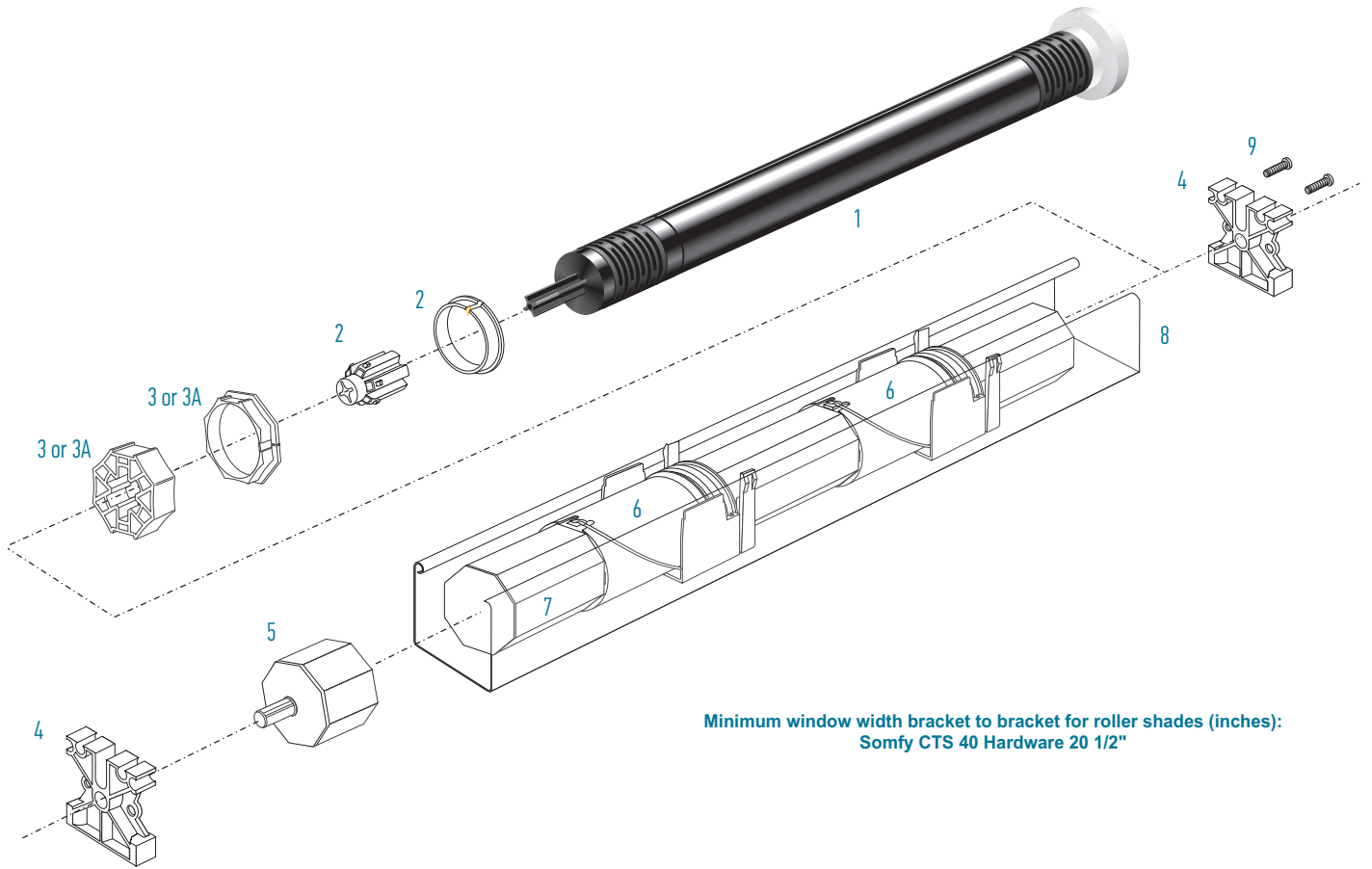
IMAGE	DESCRIPTION	CATALOG NUMBER
1	SONESSE® 30 MOTOR (RTS) #1001524, RS485 #1000658, DTC #1000668	
2	CROWN AND DRIVE (LOUVOLITE® 40 MM TUBE) WITH SCREWS	9013775
2, 4, 11	CROWN, DRIVE, MOTOR MOUNT PLATE AND 3.5 x 9 MM SCREWS (FOR LOUVOLITE® SYSTEM 40 AND ZMC® 1.5" RS-SERIES)	9014045
3, 4A, 11	CROWN, DRIVE, MOTOR MOUNT PLATE AND 3.5 x 9 MM SCREWS (FOR LOUVOLITE® SYSTEM 45 AND ZMC® 1.5" RS-SERIES)	9014333
4	MOTOR BRACKET ADAPTOR PLATE WITH SCREWS (LOUVOLITE® SYSTEM 40)	9014072
4A	MOTOR BRACKET ADAPTOR PLATE WITH SCREWS (LOUVOLITE® SYSTEM 45)	9016013
5	MOTOR & IDLER BRACKET KIT (FOR LOUVOLITE® STYLE SYSTEM 40 & ZMC® RS-SERIES)	9013715
6	*MOTOR & IDLER BRACKET KIT (LOUVOLITE® SYSTEM 45)	9015554
7	COLLAPSIBLE END PLUG (FOR LOUVOLITE® STYLE SYSTEM 40 & ZMC® RS-SERIES)	9013716
8	COLLAPSIBLE END PLUG (LOUVOLITE® SYSTEM 45)	9015555
9	LOUVOLITE® STYLE 40 MM TUBE & ZMC® 1.5" RS-TUBE	CONTACT SOMFY/ZMC®
10	LOUVOLITE® 45 MM TUBE	CONTACT LOUVOLITE®
11	SCREWS M3.5 x 9 MM	9014066

\*KIT TO BE USED WITH MOTOR BRACKET ADAPTOR PLATE (LOUVOLITE® SYSTEM 40), CATALOG #9014072



# SONESSE® 30 HARDWARE SYSTEMS - Somfy® CTS 40

## CORD TAKE-UP SYSTEM (CTS)



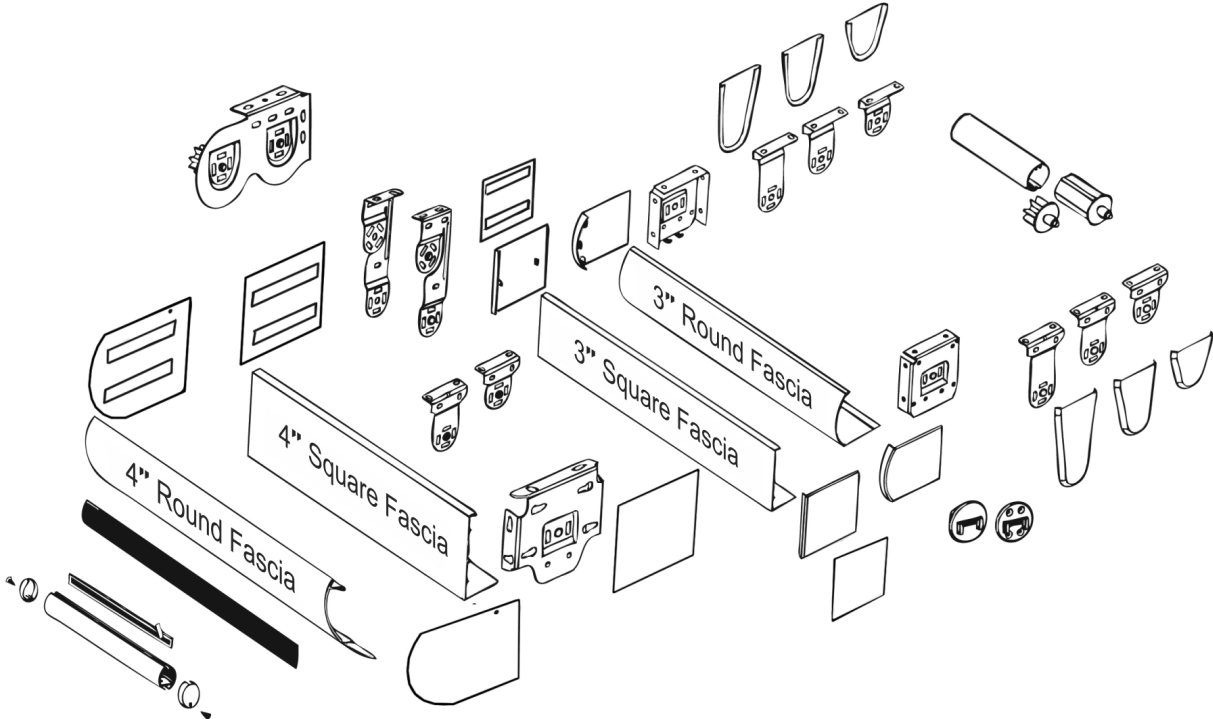
Minimum window width bracket to bracket for roller shades (inches):  
Somfy CTS 40 Hardware 20 1/2"

### PRODUCT CHART

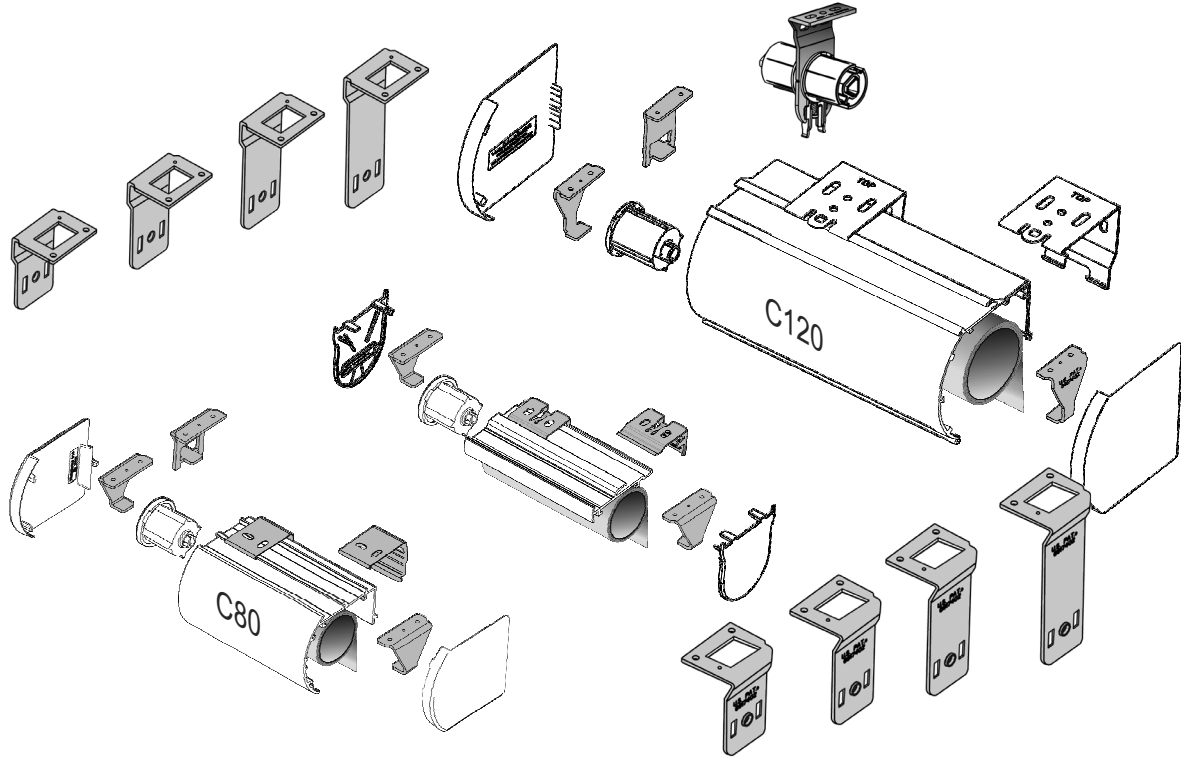
IMAGE	DESCRIPTION	CATALOG NUMBER
1	SONESSE® 30 MOTOR (RTS) #1001524, RS485 #1000658, DTC #1000668	
2	SONESSE® 30 TO LS40 ADAPTOR WITH SCREWS	9013776
3	CROWN AND DRIVE KIT 40 MM OCTAGONAL TUBE (LOUVOLITE® SYSTEM 40)	9012225
3A	RUBBERIZED CROWN AND DRIVE KIT 40 MM OCTAGONAL TUBE	9016655
4	MOTOR/IDLER BRACKET (FOR 57 MM x 51 MM HEADRAIL) (LOUVOLITE® SYSTEM 45)	9500736
5	IDLER END PLUG FOR 40 MM OCTAGONAL TUBE	9012274
6	CTS 40 (FOR 57 MM x 41 MM HEADRAIL)	1781118
7	SOMFY 40 MM OCTAGONAL TUBE (20 FT. MAX LENGTH)	1781154
8	57 MM x 51 MM (2" x 2 1/4") GUTTER RAIL OR SIMILAR	CONTACT MANUFACTURER
9	M 3.5 x 9 MM SCREWS	9014066

# SONESSE® 30 HARDWARE SYSTEMS BRACKET, FASCIA AND CASSETTE SOLUTIONS - Rollease®

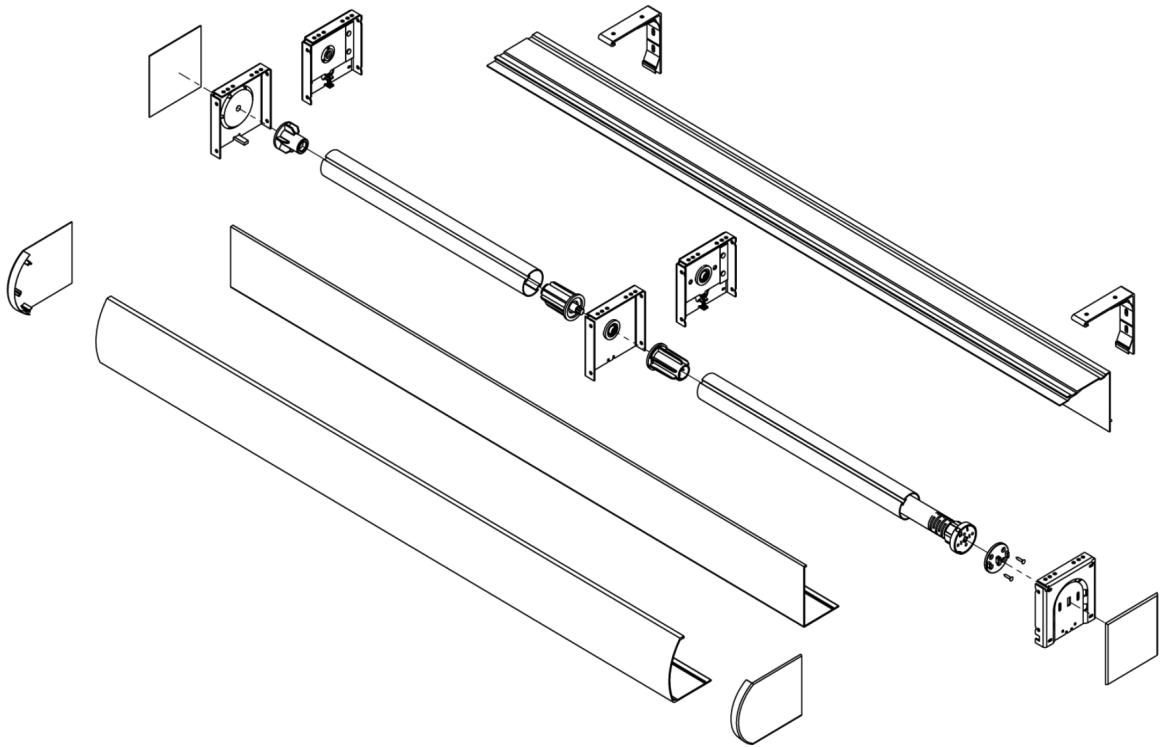
## SKYLINE™ BRACKET AND FASCIA ACCESSORIES



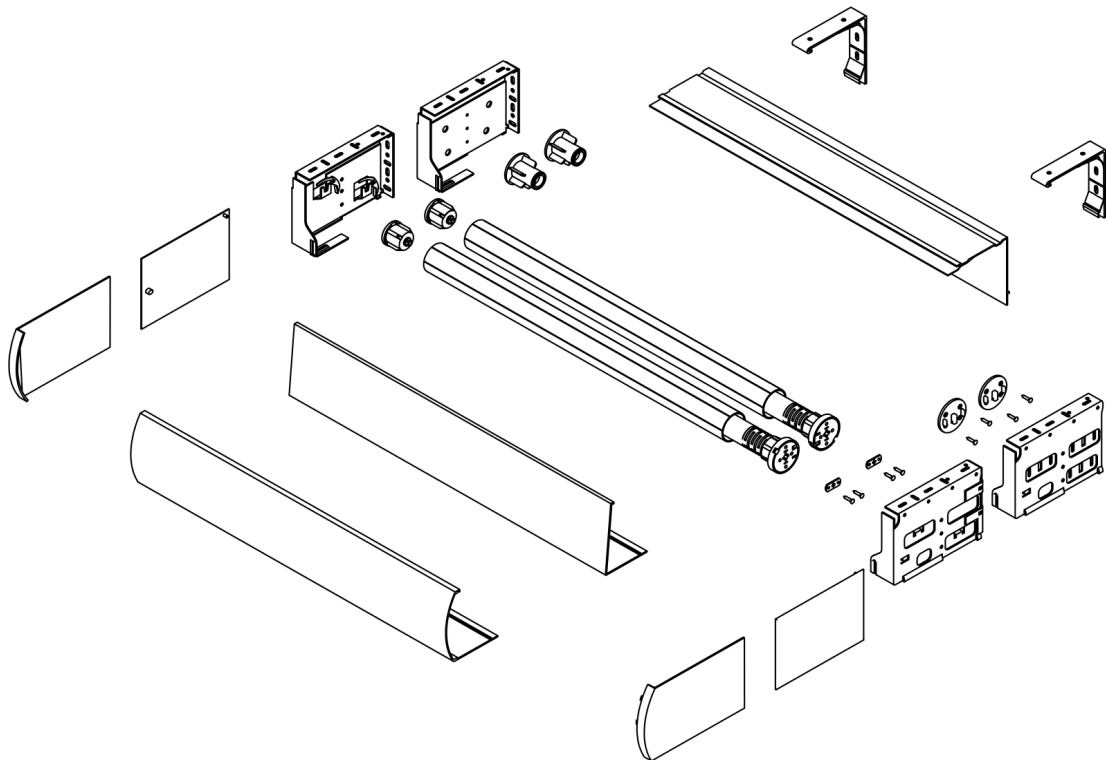
## C80/C120 CASSETTE ACCESSORIES



## INTERMEDIATE BRACKET SOLUTIONS



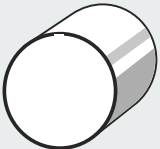

## DUO SHADE FASCIA COMPONENTS



Contact ZMC® for items and part numbers: [www.zmc.ca](http://www.zmc.ca)

# SONESSE® ULTRA 50 DC MECHANICAL ACCESSORIES

## CROWNS & DRIVES

Tube Profile (not to scale)	Set
 <p>ø 2 in. Groove Tube ZMC®</p>	 <p>2" Groove Tube Ultra Drive *recommended with ultra-quiet <b>Part #9020964</b></p>

Tube Profile (not to scale)	Set
 <p>ø 2.5 in. Tube RollEase®</p>	 <p>Crown &amp; Drive Adaptor for 2.5" (63 mm) Tube <b>Part #9015234</b></p>

## 500 SERIES END CAPS

**Sonesse® ULTRA 50 Universal End Cap with Collapsible Shaft**



 Somfy  
DESIGNED FOR  
SILENCE

- Universal ultra-quiet rubber over-molded end cap is adaptable to all tubes by mounting LT50/60 crown and drive sets (drive stop & screws included)
- Black nylon housing with rubber over-mold
- 2 roller bearings for smooth, quiet operation
- Maximum motor torque: 50 Nm
- Maximum system load - 88 Lbs. (40 Kg.)

Sonesse ULTRA 50 Universal Pin End Cap - 10 mm **Part #9019716**  
Sonesse ULTRA 50 Universal Pin End Cap - 12 mm **Part #9019717**


**ZMC® Short Idler End - 10mm**




- Directly compatible with 2" tube and requires notched 2" tube and 2" drive held in place with retaining clip included
- End cap is adaptable to all tubes with LT50/60 crown and drive sets
- Black nylon
- Maximum motor torque:
  - With awning - 50 Nm
  - With FTS - 25 Nm
- Maximum system load - 88 Lbs. (40 Kg.)

**Part #9020959**

**Sonesse® ULTRA 50 End Cap with Collapsible Shaft for 2" Tube**




 Somfy  
DESIGNED FOR  
SILENCE

- Ultra-quiet rubber over-molded end cap compatible with 2" tube (requires notched 2" tube)
- Black nylon housing with yellow rubber over-mold
- 2 roller bearings for smooth, quiet operation
- Maximum motor torque: 50 Nm
- Maximum system load - 88 Lbs. (40 Kg.)

Sonesse 50 Pin End Cap 10 mm - Quiet Accessory for 2" Tube **Part #9016628**  
Sonesse 50 Pin End Cap 12 mm - Quiet Accessory for 2" Tube **Part #9018228**

**Ultra Indexable Coupler with 10 mm Shaft**



- Ability to couple multiple shades
- Torque transferred via the drive end which is identical to drive end of Somfy motor
- Adaptable to any tube that has Somfy motor drive wheel
- Retractable function for easy installation
- Simple and effective way of leveling the bottom bar

**Part #9020962**

# SONESSE® ULTRA 50 DC MECHANICAL ACCESSORIES

## 500 SERIES MISCELLANEOUS

LT50 Motor Mounting Screws - Flat Head, Self Tapping Tri-lobe 5 mm Dia. (13 mm deep)



**Part #9670013**

LT50 RH Motor Mounting Screws- Flat Head, Self Tapping Tri-lobe 4 mm Dia. (9 mm Deep)

**Part #100405B**

LT50 Stop Wheel



- Screws into the motor output shaft to prevent drive from coming off shaft
- Black composite stop

**Part #9910004**

Spacer for Somfy 10 mm Ultra Universal Pin End



**Part #9020960**

- Somfy 10 mm Ultra Universal Pin End

Note: Spacer only used with ZMC® Idler brackets with bearings (see below)



Sonesse 50 Pin End Cap with 10 mm Collapsible Shaft

Sonesse ULTRA 50 Universal End Cap with Collapsible Shaft

## 500 SERIES BRACKETS

Sonesse® ULTRA 50 DC Motor Bracket with Spring Ring



**Part #9020957**

Sonesse® ULTRA 50 DC Idler Bracket (10 mm ball)



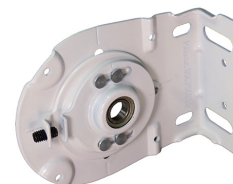
**Part #9020958**

LT50 Universal Motor and Idler Bracket Cover



**Part #9020963**

Sonesse® ULTRA 50 DC Intermediate Bracket (10 mm)



**Part #9020961**

# SONESSE® 30 MECHANICAL ACCESSORIES

## CROWNS & DRIVES

Tube Profile (not to scale)	Set
Compatible with all 400 series crowns and drives	 <p>Sonesse® 30 to 400 Series Adaptor Kit (adapts Sonesse® 30 to all 400 Series crowns &amp; drives) <b>Part #9013776</b></p>
 <p>ø 1.5 in. / 38 mm RollEase®</p>	 <p>Crown &amp; Drive Set for RollEase® 1.5"/38 mm Tube <b>Part #9013775</b></p>
 <p>ø 1.5 in. / 40 mm Round</p>	 <p>400 Series Crown &amp; Drive Set (for Somfy® 40 mm x 1.5" round tube) <b>Part #9012224</b></p>  <p>400 Series Crown &amp; Rubberized Drive Set (for Somfy® 40 mm x 1.5" round tube) <b>Part #9016654</b></p>
 <p>ø 1.5 in. / 40 mm Octagonal</p>	 <p>400 Series Crown &amp; Drive Set (for 40 mm octagonal tube) <b>Part #9012225</b></p>  <p>400 Series Crown &amp; Rubberized Drive Set (for 40 mm octagonal tube) <b>Part #9016655</b></p>







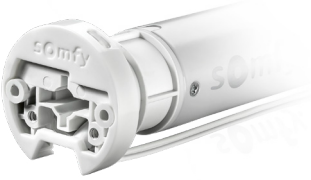
Tube Profile (not to scale)	Set
 <p>ø 1.5 in. / 40 mm Louvolite®</p>	 <p>Crown, Drive, Motor Mount Plate and 3.5 x 9 mm Screws (for Louvolite® System 40) <b>Part #9014045</b></p>
 <p>ø 1.5 in. / 38 mm RollEase®</p>	 <p>400 Series Crown Adaptor for 40 mm Tube <b>Part #9013791</b></p> <p>Soft Drive Wheel (ST30/LT30 type for Acmeda® 44 mm Tube) <b>Par #9015259</b></p>
 <p>ø 44 mm Acmeda®</p>	 <p>400 Series Crown Adaptor for Acmeda® 44 mm Tube <b>Part #9013791</b></p> <p>Drive Wheel (LS40 type for Acmeda® 44 mm Tube) <b>Par #9013790</b></p>
 <p>ø 45 mm Louvolite®</p>	 <p>Crown, Drive, Motor Mount Plate and 3.5 x 9 mm Screws (for Louvolite® System 45) <b>Part #9014333</b></p>
 <p>ø 50 mm Hunter Douglas</p>	 <p>400 Series Crown &amp; Drive for HD 4" Silhouette® (Quartette™) <b>Part #9016953</b></p>

**NEW** **SONESSE® 30 MECHANICAL ACCESSORIES**  
 Compatible with Sonesse® 30 24V RTS

**CROWNS & DRIVES**

Tube Profile (not to scale)	Set	Tube Profile (not to scale)	Set
Compatible with all 400 series crowns and drives	 <p>Sonesse® 30 to 400 Series Adaptor Kit (adapts Sonesse® 30 to all 400 Series crowns &amp; drives) <b>Part #9020676</b></p>	 <p>ø 1.5 in. / 40 mm Louvolite</p>	 <p>Sonesse® 30 Crown and Drive (for Louvolite 40 mm tube) <b>Part #9020675</b></p>
		 <p>ø 37 mm Hunter Douglas</p>	 <p>Sonesse® 30 Crown and Drive (for HD 37 mm tube) <b>Part #9020699</b></p>
 <p>ø 1.5 in. / 38 mm RollEase®</p>	 <p>Crown and Drive Set for RollEase® 1.5"/38 mm tube <b>Part #9020674</b></p>	 <p>ø 2 in. / 51 mm RollEase®</p>	 <p>Sonesse® 30 Crown and Drive for RollEase®/ZMC 2"/51 mm tube <b>Part #9021017</b></p>

**MOTOR PLATES & HEAD COVERS**

Sonesse® 30 Motor Plate RollEase® 360 R3-R8 10 x 1.8 mm and screws	Sonesse® 30 Motor Plate Acmeda 12 mm and screws	Sonesse® 30 Motor Plate RollEase® Skyline and screws	Sonesse® 30 Motor Plate M3 x 6 mm Philips flat-head plastite screw
 <p><b>Part #9025996</b></p>	 <p><b>Part #9025999</b></p>	 <p><b>Part #9026003</b></p>	 <p><b>Part #9026093</b></p>
Optional Grey	Optional Black	Optional Black	White (supplied with motor)
 <p><b>Part #9027133</b></p>	 <p><b>Part #9027134</b></p>	 <p><b>Part #9027132</b></p>	

## About Somfy

**SOMFY®** has been improving everyday life for more than 270 million people by designing and manufacturing intelligent motorization solutions for interior window coverings and exterior solar protections. Somfy innovates to automate and connect shades, blinds, draperies, awnings, rolling shutters, exterior screens & pergolas for commercial and residential buildings in 58 countries across the globe. With 170+ million motors produced over the last half century, Somfy is committed to creating reliable and sustainable solutions that promote the best way of living and well-being for all.

### **SOMFY SYSTEMS INC SOMFY NORTH AMERICAN HEADQUARTERS**

121 Herrod Blvd.  
Dayton, NJ 08810  
T: (800) 22-SOMFY (76639)  
NJ: (609) 395-1300  
F: (609) 395-1776

[www.somfysystems.com](http://www.somfysystems.com)

### **FLORIDA**

1200 SW 35th Ave.  
Boynton Beach, FL 33426  
T: (800) 22-SOMFY (76639)  
F: (561) 995-7502

### **CALIFORNIA**

15301 Barranca Parkway  
Irvine, CA 92618-2201  
T: (800) 22-SOMFY (76639)  
F: (949) 727-3775

### **SOMFY ULC**

#### **SOMFY Canada Division**

5178 Everest Drive  
Mississauga, Ontario L4W2R4  
T: 1-800-66-SOMFY (76639)  
CN: (905) 564-6446  
F: (905) 238-1491

[www.somfypro.com](http://www.somfypro.com)

A BRAND OF **SOMFY** GROUP

© Somfy Systems, Inc. 9/2021  
Images: © SAS/Childeric

**somfy**®