



# SOLUTIONS II PAIR FRAME ORDER WORKSHEET

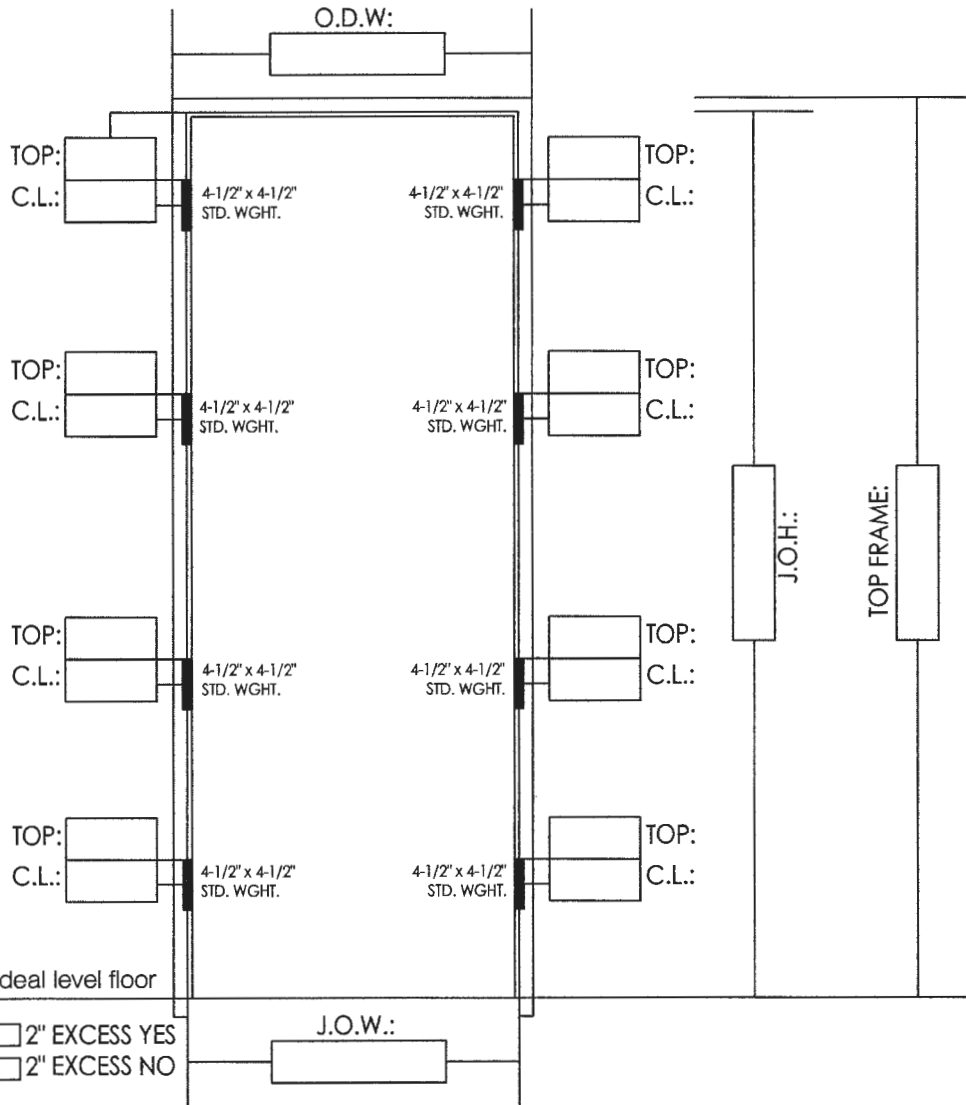
Page: \_\_\_\_\_

Customer: _____	Finish:	Throat size:	Mute color:
Project: _____	<input type="checkbox"/> Clear      Bronze <input type="checkbox"/>	<input type="checkbox"/> 3-1/2"      4-5/8" <input type="checkbox"/>	<input type="checkbox"/> Grey
Architect: _____	<input type="checkbox"/> Black      Field Paint <input type="checkbox"/>	<input type="checkbox"/> 3-3/4"      4-7/8" <input type="checkbox"/>	<input type="checkbox"/> Black
P. O. #: _____	<input type="checkbox"/> White      Custom <input type="checkbox"/>	<input type="checkbox"/> Other specify: _____	<input type="checkbox"/> White

Square Corners       Miter Corners      Trim:     1-1/2" Flush     2" Flush

**LIST ANY SPECIAL FRAME PREPS BELOW:**

Extended lip strikes are NOT required on RACO Solutions II door frames.



Ideal level floor

2" EXCESS YES  
 2" EXCESS NO

Rough Opening: J.O.W plus 1-1/2" and J.O.H. plus 3/4"

**FRAME NUMBERS AND HANDING**

**LEFT HAND REVERSE X RIGHT HAND REVERSE:**

Specify the active handing of each frame

**LEFT HAND X RIGHT HAND:**

Specify the active handing of each frame

QUANTITY:

QUANTITY:

Prepared By: \_\_\_\_\_ Date: \_\_\_\_\_