



SOLUTIONS II SIDELITE FRAME ORDER WORKSHEET

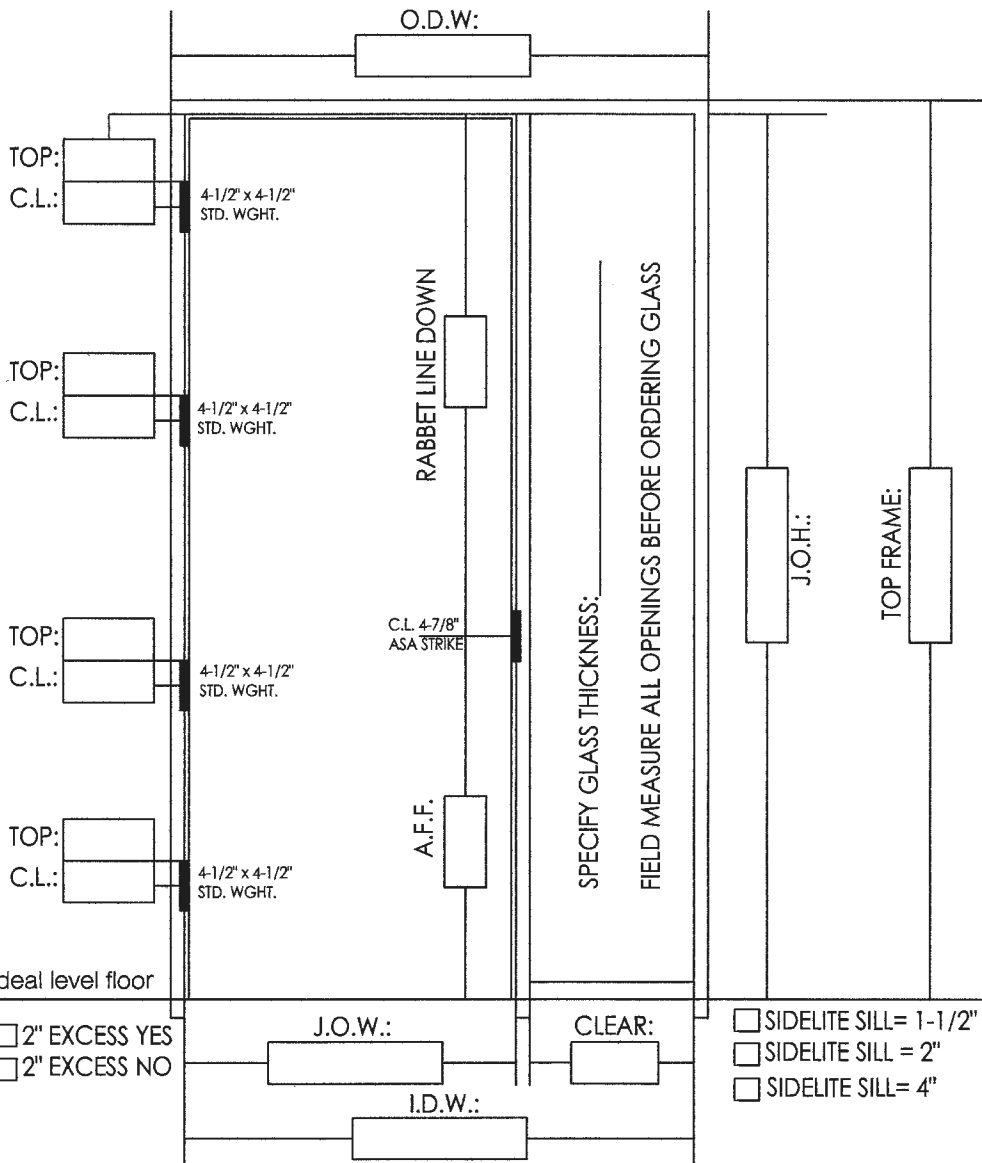
Page: _____

Customer: _____	Finish:	Throat size:	Mute/Vinyl color:
Project: _____	<input type="checkbox"/> Clear Bronze <input type="checkbox"/>	<input type="checkbox"/> 3-1/2" 4-5/8" <input type="checkbox"/>	<input type="checkbox"/> Grey
Architect: _____	<input type="checkbox"/> Black Field Paint <input type="checkbox"/>	<input type="checkbox"/> 3-3/4" 4-7/8" <input type="checkbox"/>	<input type="checkbox"/> Black
P. O. #: _____	<input type="checkbox"/> White Custom <input type="checkbox"/>	<input type="checkbox"/> Other specify: _____	<input type="checkbox"/> White
<input type="checkbox"/> Square Corners <input type="checkbox"/> Miter Corners		Trim: <input type="checkbox"/> 1-1/2" Flush	<input type="checkbox"/> 2" Flush

LIST ANY SPECIAL FRAME PREPS BELOW:

Extended lip strikes are NOT required on RACO Solutions II door frames.

ATTACH FRAME ELEVATION SHEETS FOR NON-TYPICAL FRAMES



Ideal level floor

- 2" EXCESS YES
- 2" EXCESS NO

- SIDELITE SILL = 1-1/2"
- SIDELITE SILL = 2"
- SIDELITE SILL = 4"

Rough Opening: I.D.W. plus 1-1/2" and J.O.H. plus 3/4"

Prepared By: _____

Date: _____

FRAME NUMBERS AND HANDING

RIGHT HAND:

LEFT HAND:

QUANTITY:

QUANTITY: