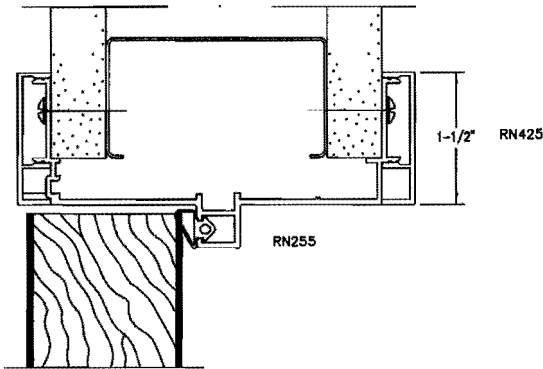


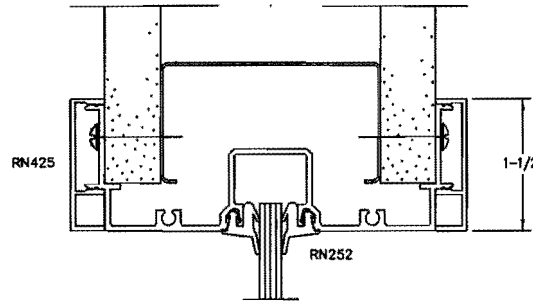
N2-001

3-1/2"



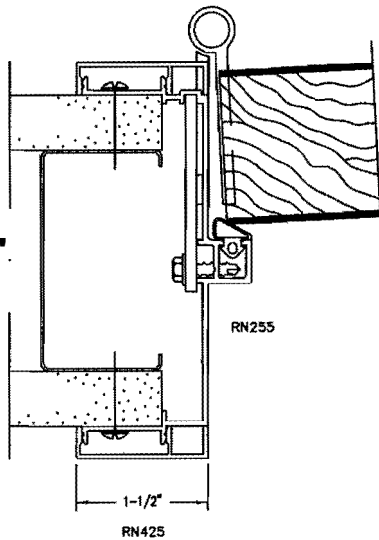
N2-007

3-1/2"



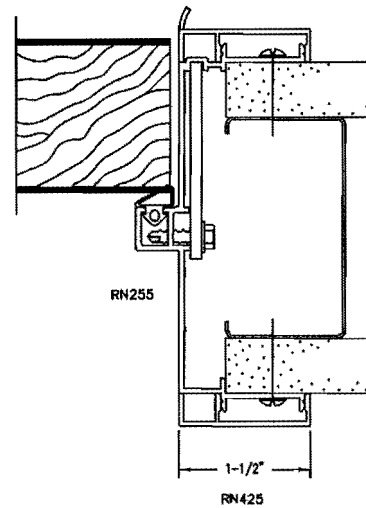
ROTATE
90
DEGREES
AT JAMB
CONDITIONS

3-1/2"



N2-003

3-1/2"



N2-004

SERIES 350

TRA

Excellence In Aluminum

3520 Newport Avenue
Annapolis, MD 21403
(410) 263-1500
scotrullledge@verizon.net

PROJECT:

ARCHITECT:

CUSTOMER:

CUSTOMER:

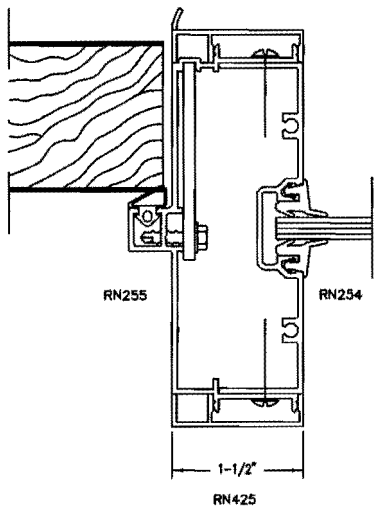


SERIES: 350
THROAT: 3-1/2"
COLOR: CLEAR
TRIM: 1-1/2" FLUSH
CORNER: MITERED
GLASS: NONE
MUTE: GRAY
VINYL: NONE

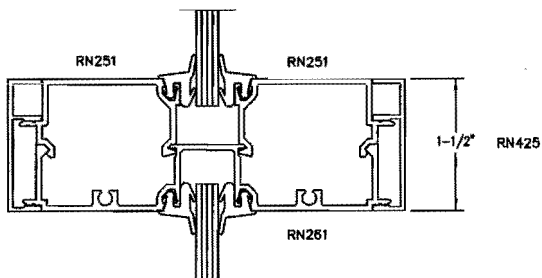
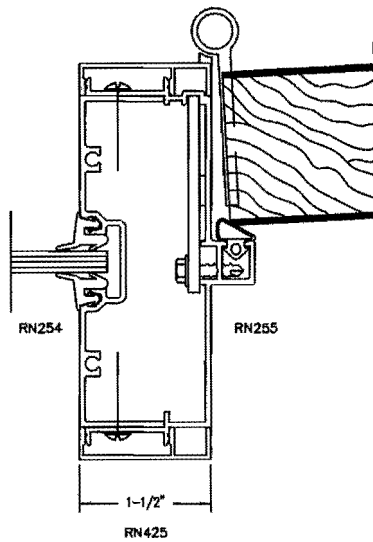
SCALE: VARIES
DATE: 6.17.13
REV: NONE

DET-1

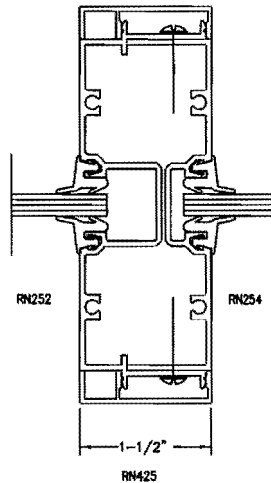
N2-005



N2-006



N2-009



N2-013

SERIES 350

TRA

3520 Newport Avenue
Annapolis, MD 21403
(410) 263-1500
scotrufledge@verizon.net

PROJECT:

ARCHITECT:

CUSTOMER:

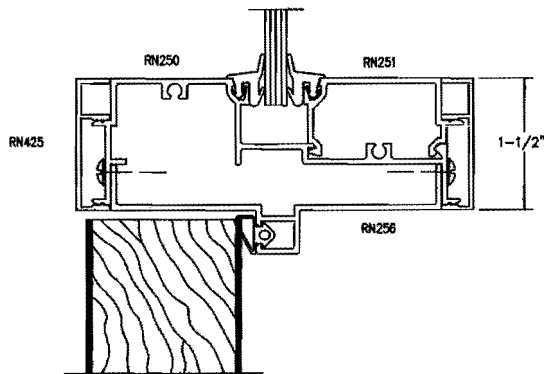


SERIES: 350
THROAT: 3-1/2"
COLOR: CLEAR
TRIM: 1-1/2" FLUSH
CORNER: MITERED
GLASS: NONE
MUTE: GRAY
VINYL: NONE

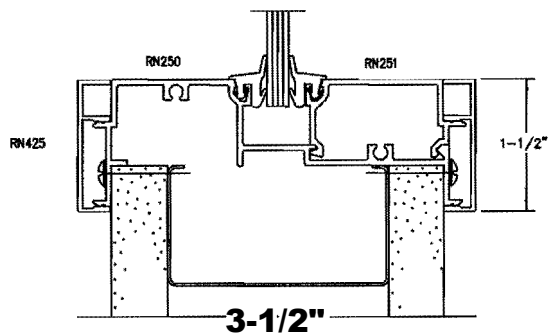
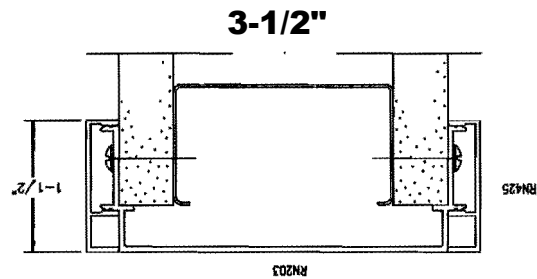
SCALE: VARIES
DATE: 6.17.13
REV: NONE

DET-2

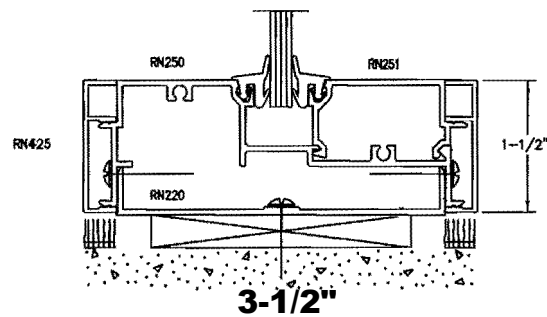
N2-012



N2-014



N2-010



N2-016

SERIES 350

TRA Excellence in Aluminum

3520 Newport Avenue
Annapolis, MD 21403
(410) 263-1500
scotrutedge@verizon.net

PROJECT: [Redacted]

ARCHITECT: [Redacted]

CUSTOMER: [Redacted]

CUSTOMER:



SERIES: 350
THROAT: 3-1/2"
COLOR: CLEAR
TRIM: 1-1/2" FLUSH
CORNER: MITERED
GLASS: NONE
MUTE: GRAY
VINYL: NONE

SCALE: VARIES
DATE: 6.17.13
REV: NONE

DET-3