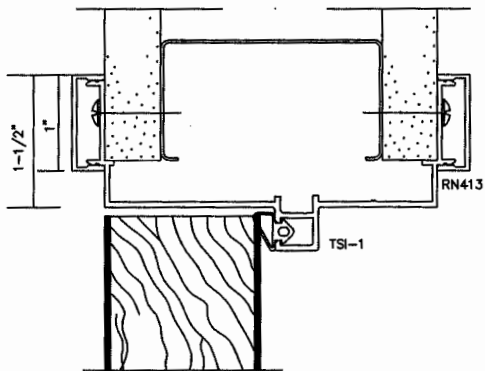
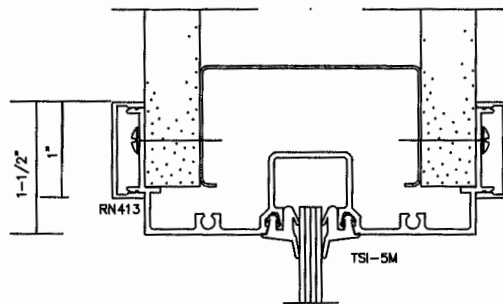


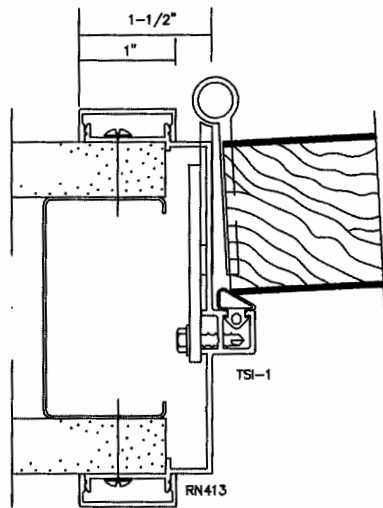
N2-001



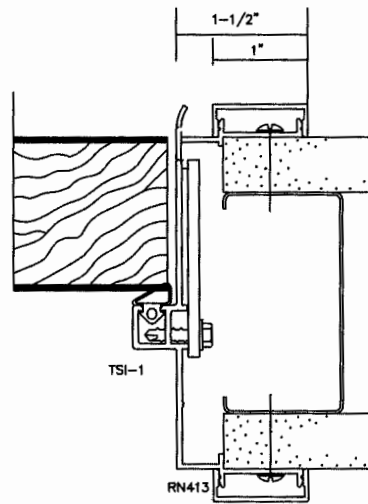
N2-007



ROTATE
90
DEGREES
AT JAMB
CONDITIONS



N2-003



N2-004

SERIES 350R

TRA Excellence in Aluminum
 3350-J PATUXENT RIVER RD
 DAVIDSONVILLE, MD 21035
 (410) 798-0580
 scootrutledge@verizon.net

PROJECT:

ARCHITECT:

CUSTOMER:

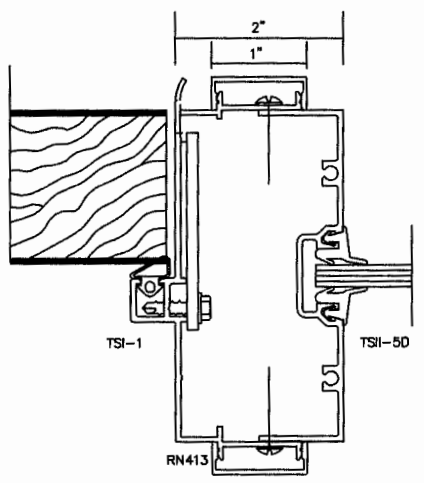


SERIES: 350
 THROAT: 3-1/2"
 COLOR: CLEAR
 TRIM: 1" REVEAL
 CORNER: MITERED
 GLASS: 1/2" THICK
 MUTE: GRAY
 VINYL: GRAY

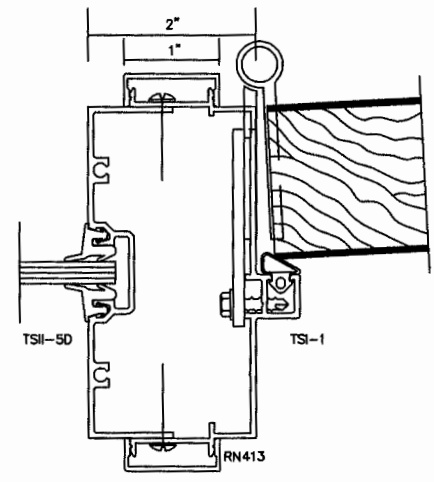
SCALE: VARIES
 DATE: 1.3.14
 REV: NONE

DET-1

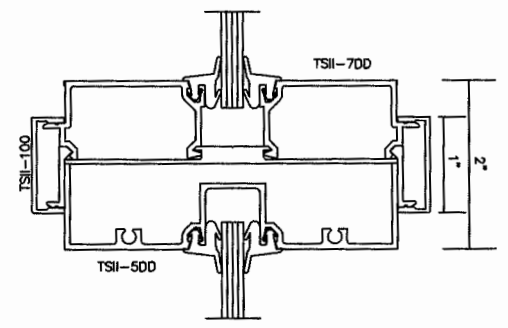
N2-005



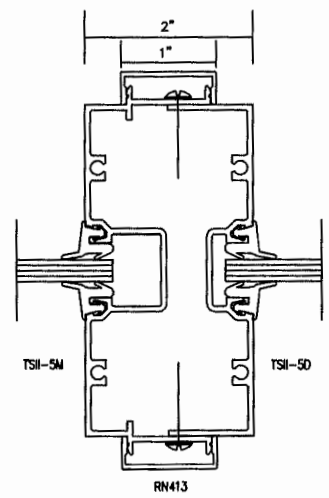
N2-006



N2-009



N2-013



SERIES 350R

PROJECT:

ARCHITECT:

CUSTOMER:



SERIES: 350
THROAT: 3-1/2"
COLOR: CLEAR
TRIM: 1" REVEAL
CORNER: MITERED
GLASS: 1/4" THICK
MUTE: GRAY
VINYL: GRAY

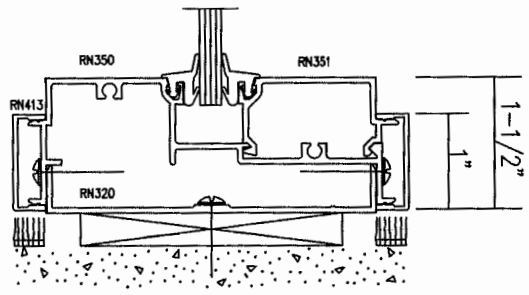
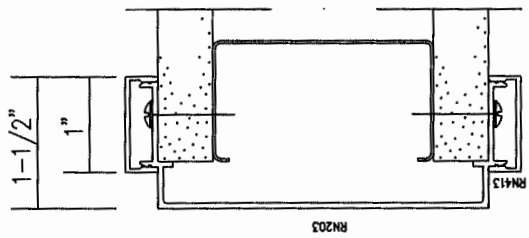
SCALE: VARIES
DATE: 10.17.13
REV: NONE

DET-2

TRA Excellence in Aluminum

3520 Newport Avenue
Annapolis, MD 21403
(410) 263-1500
scotrutledge@verizon.net

N2-014



N2-016

SERIES 350R

PROJECT:

CUSTOMER: ARCHITECT:

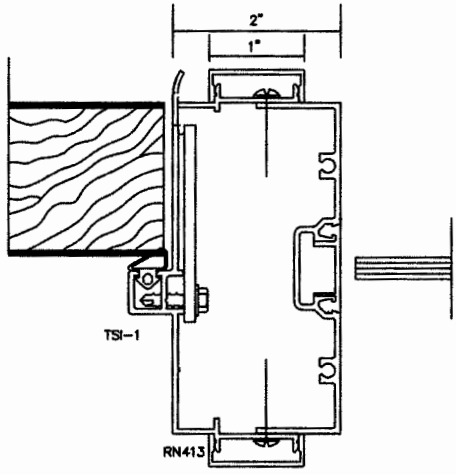
RACO

SERIES: 350
THROAT: 3-1/2"
COLOR: CLEAR
TRIM: 1" REVEAL
CORNER: MITERED
GLASS: 1/2" THICK
MUTE: GRAY
VINYL: GRAY

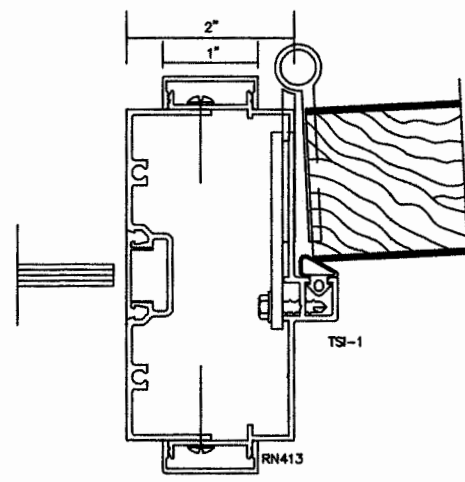
SCALE: VARIES
DATE: 1.3.14
REV: NONE

DET-3

N2-005
FILLER



N2-006
FILLER



SERIES 350R

TRA
 Excellence in Aluminum
 3520 Newport Avenue
 Annapolis, MD 21403
 (410) 263-1500
 sootrufledge@verizon.net

PROJECT:

ARCHITECT:

CUSTOMER:

RACO

SERIES: 350
 THROAT: 3-1/2"
 COLOR: CLEAR
 TRIM: 1" REVEAL
 CORNER: MITERED
 GLASS: 1/2" THICK
 MUTE: GRAY
 VINYL: GRAY

SCALE: VARIES
 DATE: 10.17.13
 REV: NONE

DET-2