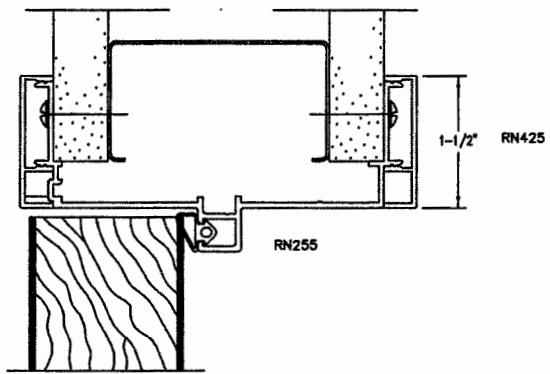
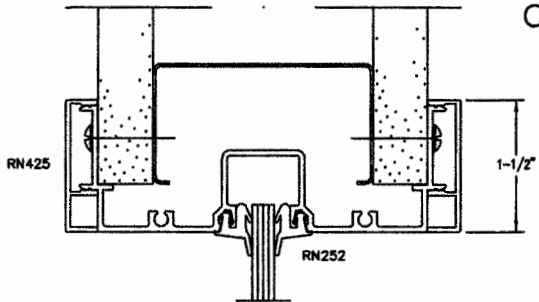


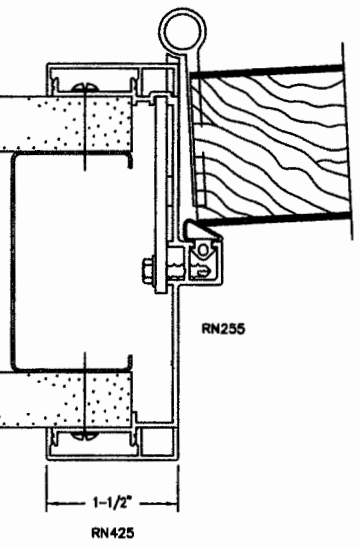
N2-001



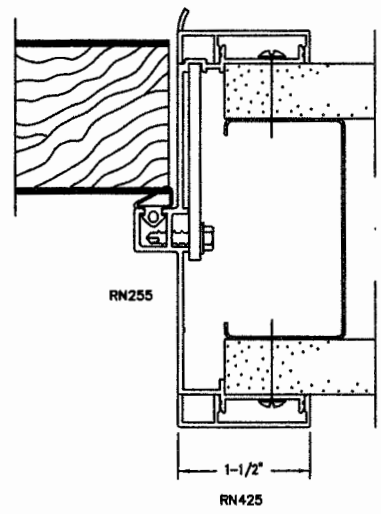
N2-007



ROTATE 90 DEGRESS FOR JAMB CONDITION



N2-003



N2-004

SERIES 375

TRA
 Excellence in Aluminum
 3350-J Patuxent River Rd
 Davidsonville, MD 21036
 (410) 798-0580
 scottrufledge@verizon.net

PROJECT:

ARCHITECT:

CUSTOMER:

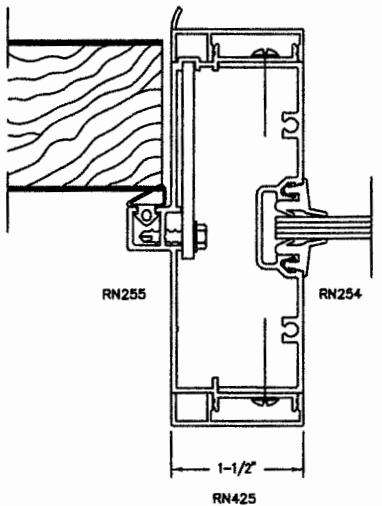
RACO

SERIES: 375
 THROAT: 3-3/4"
 COLOR: CLEAR
 TRIM: 1-1/2" FLUSH
 CORNER: MITERED
 GLASS:
 MUTE: GRAY
 VINYL: GRAY

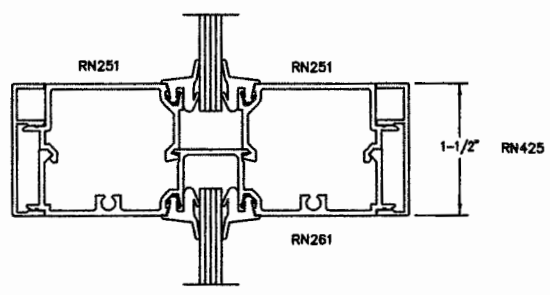
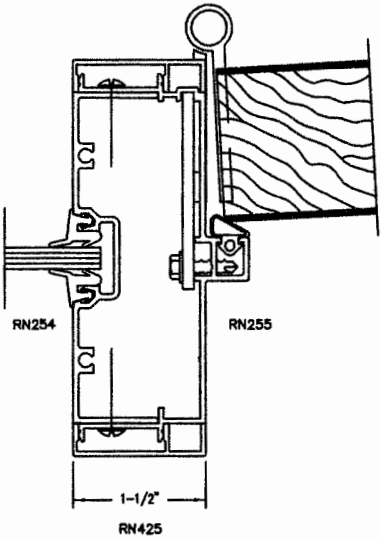
SCALE: VARIES
 DATE: 9.9.15
 REV: NONE

DET-1

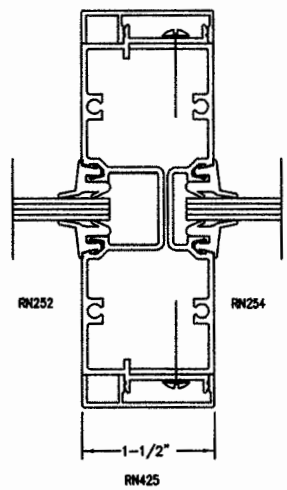
N2-005



N2-006



N2-009



N2-013

SERIES 375

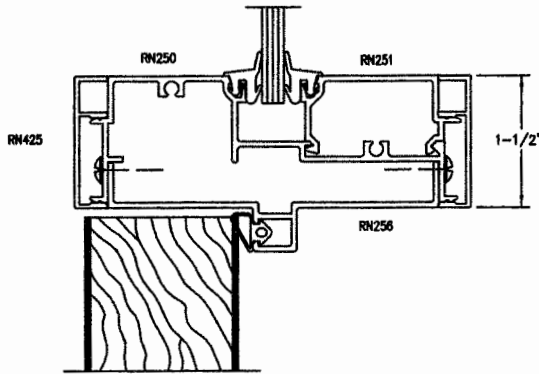
PROJECT:

ARCHITECT:
 CUSTOMER:

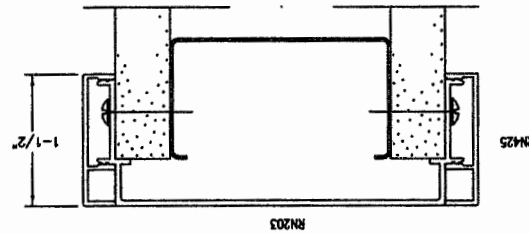
RACO
 SERIES: 375
 THROAT: 3-3/4"
 COLOR: CLEAR
 TRIM: 1-1/2" FLUSH
 CORNER: MITERED
 GLASS:
 MUTE: GRAY
 VINYL: GRAY
 SCALE: VARIES
 DATE: 9.9.15
 REV: NONE

DET-2

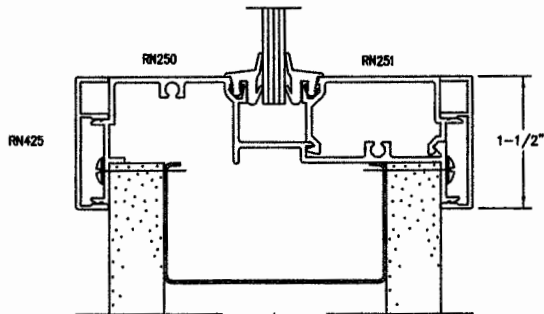
N2-012



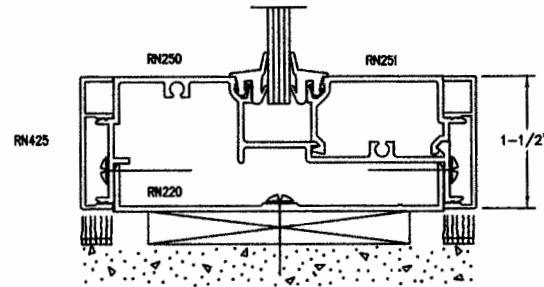
N2-014



N2-010



N2-016



SERIES 375

TRA Excellence in Aluminum
 3350-J Patuxent River Rd.
 Davidsonville, MD 21036
 scootrledge@verizon.net

PROJECT:

ARCHITECT:

CUSTOMER:

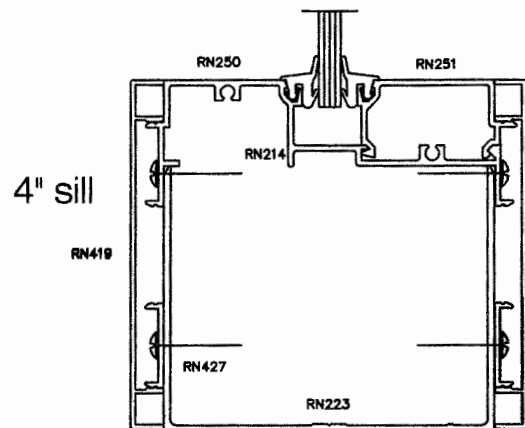
RACO

SERIES: 375
 THROAT: 3-3/4"
 COLOR: CLEAR
 TRIM: 1-1/2" FLUSH
 CORNER: MITERED
 GLASS:
 MUTE: GRAY
 VINYL: GRAY

SCALE: VARIES
 DATE: 9.9.15
 REV: NONE

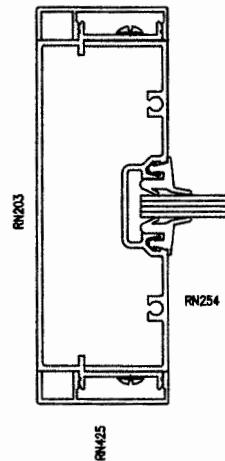
DET-3

TRA Excellence in Aluminum
 3350-J Patuxent River Rd.
 Davidsonville, MD 21036
 scootrudedge@verizon.net



N2-064

N2-005
 similar



PROJECT:

ARCHITECT:

CUSTOMER:



SERIES: 375
 THROAT: 3-3/4"
 COLOR: CLEAR
 TRIM: 1-1/2" FLUSH
 CORNER: MITERED
 GLASS:
 MUTE: GRAY
 VINYL: GRAY

SCALE: VARIES
 DATE: 9.9.10
 REV: NONE

SERIES 375

DET-4