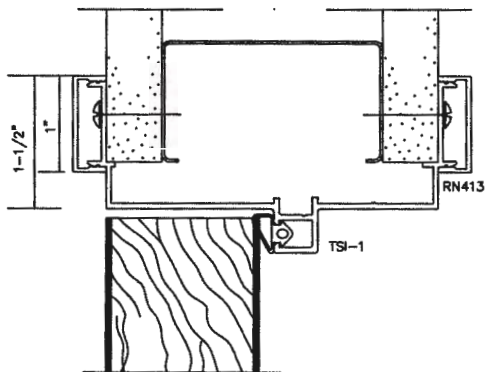
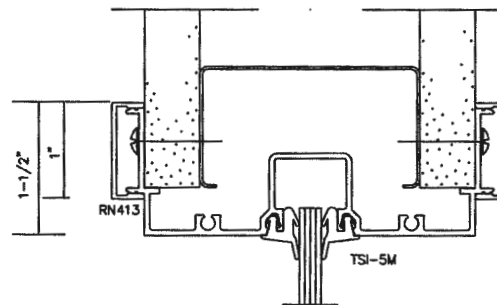


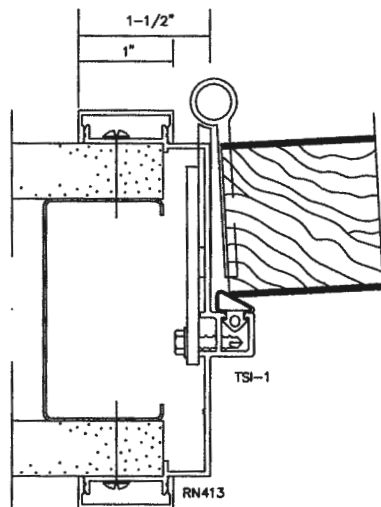
N2-001



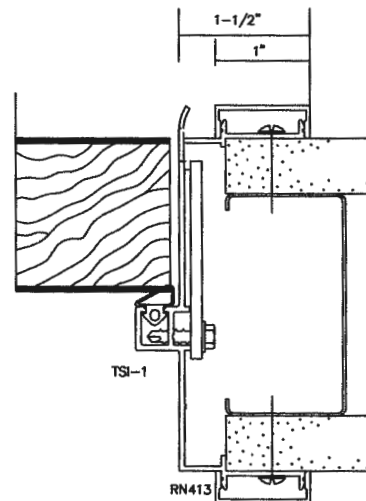
N2-007



ROTATE
90
DEGREES
AT JAMB
CONDITIONS



N2-003



N2-004

SERIES 375R

TRA Excellence in Architecture
 3350-J PATUXENT RIVER RD
 DAVIDSONVILLE, MD 21036
 (410) 798-0680
 ecotruffledge@verizon.net

PROJECT:

ARCHITECT:

CUSTOMER:

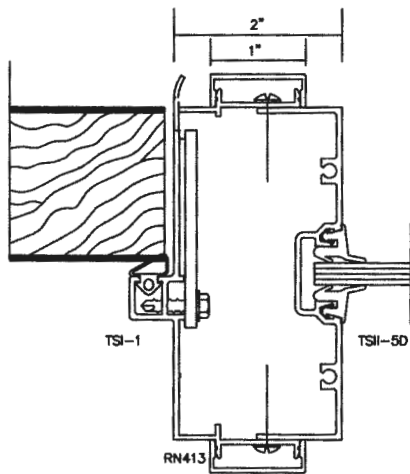


SERIES: 375
 THROAT: 3-3/4"
 COLOR: CLEAR
 TRIM: 1" REVEAL
 CORNER: MITERED
 GLASS: 1/2" THICK
 MUTE: GRAY
 VINYL: GRAY

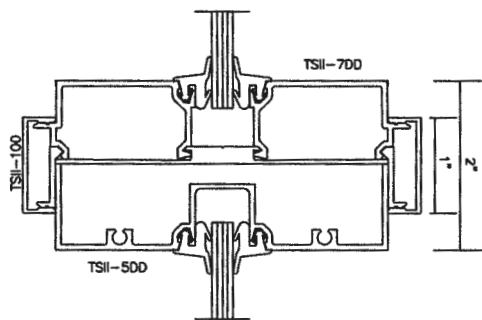
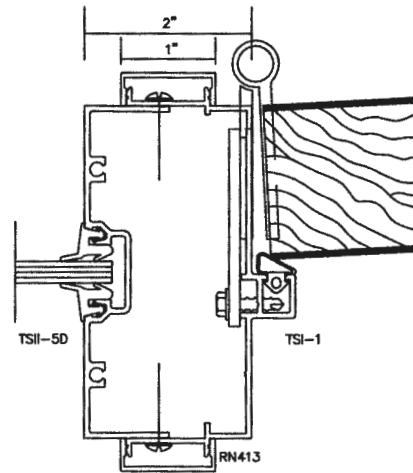
SCALE: VARIES
 DATE: 9.27.17
 REV: NONE

DET-1

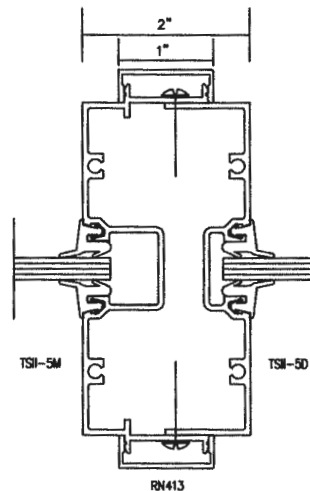
N2-005



N2-006



N2-009



N2-013

SERIES 375R

TRA Excellence in Aluminum

3820 Newport Avenue
Annapolis, MD 21403
(410) 283-1500
scotrufledge@verizon.net

PROJECT:

ARCHITECT:

CUSTOMER:

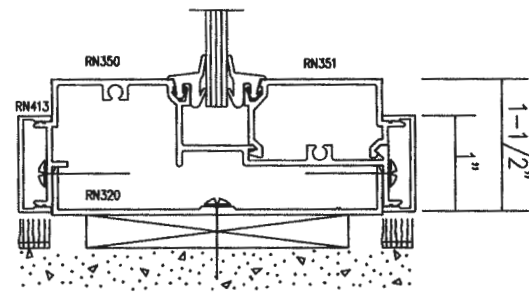
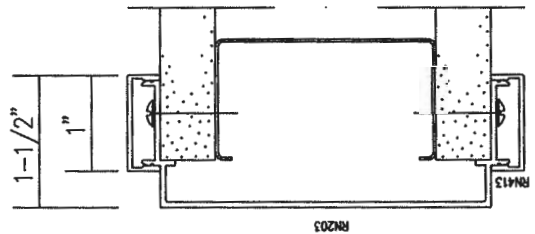


SERIES: 350
THROAT: 3-1/2"
COLOR: CLEAR
TRIM: 1" REVEAL
CORNER: MITERED
GLASS: 1/2" THICK
MUTE: GRAY
VINYL: GRAY

SCALE: VARIES
DATE: 10.17.13
REV: NONE

DET-2

N2-014



N2-016

SERIES 375R

TRA Excellence in Aluminum
 3520 Newport Avenue
 Annapolis, MD 21403
 (410) 283-1500
 scootr@edge@verizon.net

PROJECT:

CUSTOMER: ARCHITECT:



SERIES: 350
 THROAT: 3-1/2"
 COLOR: CLEAR
 TRIM: 1" REVEAL
 CORNER: MITERED
 GLASS: 1/2" THICK
 MUTE: GRAY
 VINYL: GRAY

SCALE: VARIES
 DATE: 1.3.14
 REV: NONE

DET-3