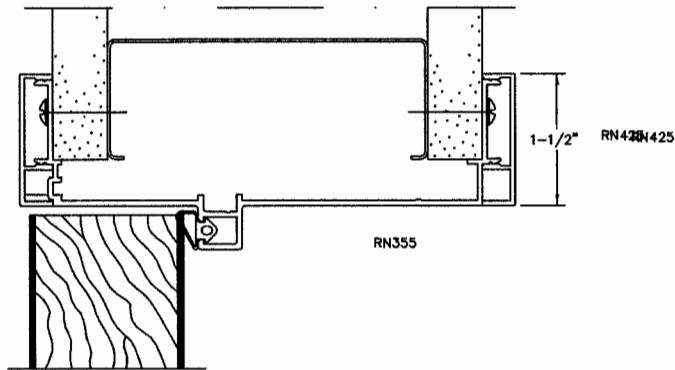
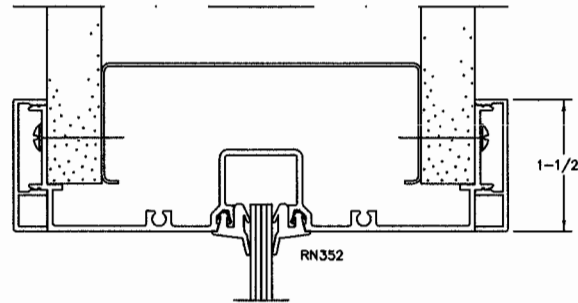


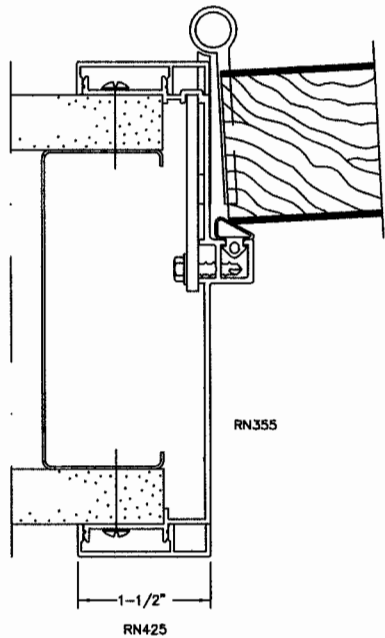
N3-001



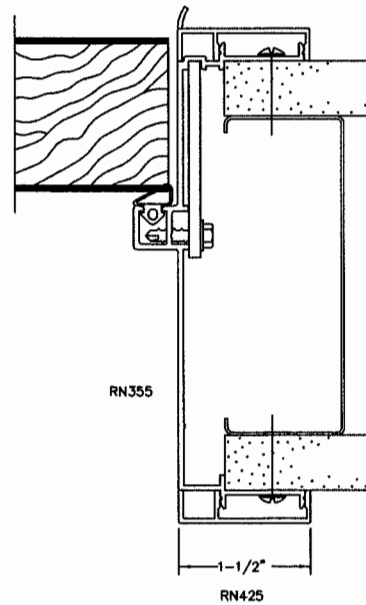
N3-007



ROTATE
90
DEGREES
AT JAMB
CONDITIONS



N3-003



N3-004

SERIES 487

TRA

Excellence in Aluminum

3350-J Patuxent River Rd.
Davidsonville, MD 21035
(410) 798-0580
scotrullledge@verizon.net

PROJECT:

ARCHITECT:

CUSTOMER:

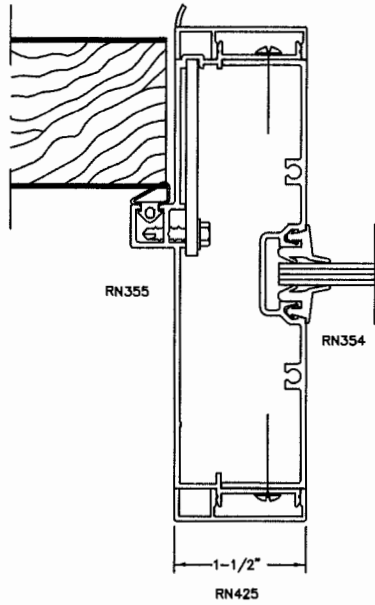
RACO

SERIES: 487
THROAT: 4-7/8"
COLOR: CLEAR
TRIM: 1-1/2" FLUSH
CORNER: MITERED
GLASS: 3/8" thick
MUTE: GRAY
VINYL: NONE

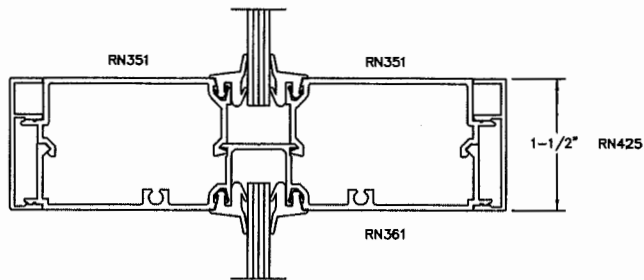
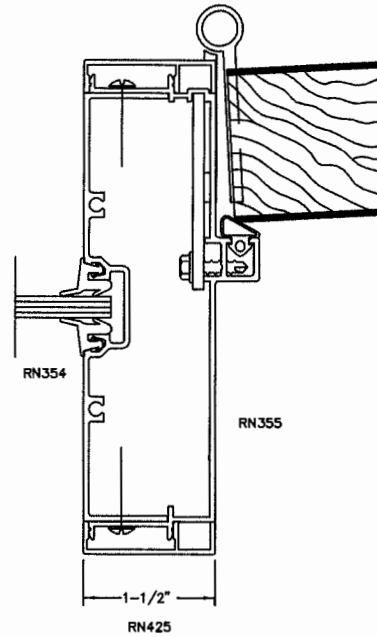
SCALE: VARIES
DATE: 12.13.13
REV: NONE

DET-1

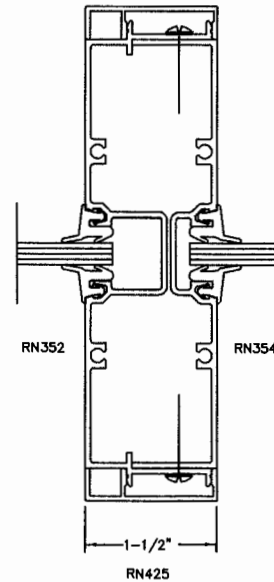
N3-005



N3-006



N3-009



N3-013

SERIES 487

TRA Excellence in Aluminum

3350-J Patuxent River Rd.
Davidsonville, MD 21036
(410) 798-0580
scottrutledge@verizon.net

PROJECT:

ARCHITECT:

CUSTOMER:

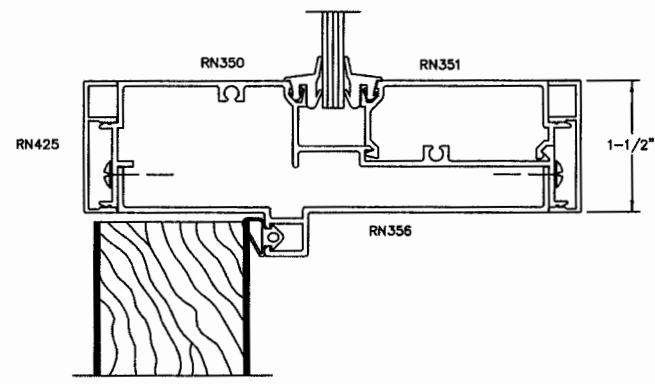


SERIES: 487
THROAT: 4-7/8"
COLOR: CLEAR
TRIM: 1-1/2" FLUSH
CORNER: MITERED
GLASS: 3/8" THICK
MUTE: GRAY
VINYL: GRAY

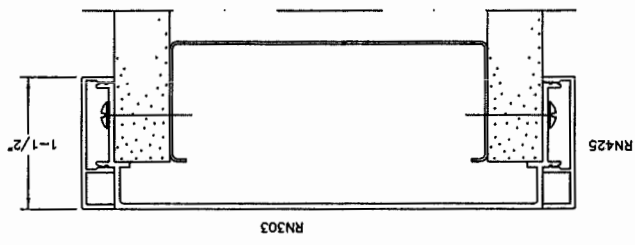
SCALE: VARIES
DATE: 12.13.13
REV: NONE

DET-2

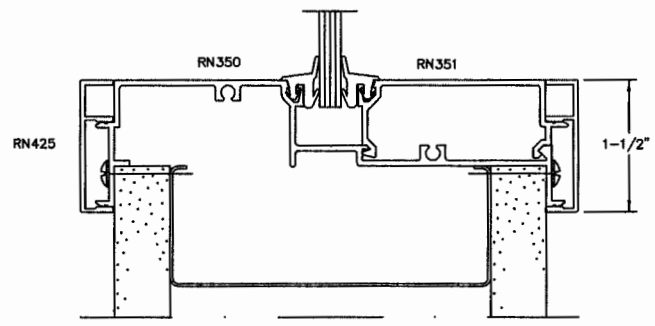
N3-012



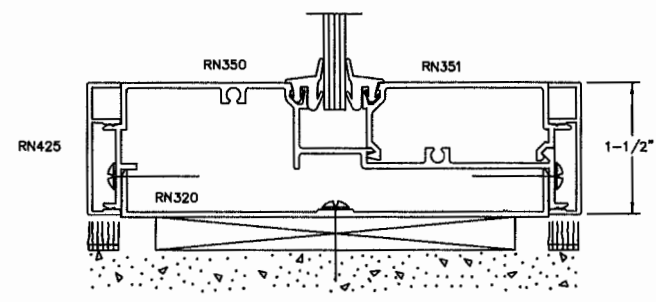
N3-014



N3-010



N3-016



SERIES 487

TRA Excellence In Aluminum
 3350-J Patuxent River Rd.
 Davidsonville, MD 21035
 (410) 798-0580
 scootruilledge@verizon.net

PROJECT:

ARCHITECT:

CUSTOMER:



SERIES: 487
 THROAT: 4-7/8"
 COLOR: CLEAR
 TRIM: 1-1/2" FLUSH
 CORNER: MITERED
 GLASS: 3/8" THICK
 MUTE: GRAY
 VINYL: GREY

SCALE: VARIES
 DATE: 12.13.13
 REV: NONE

DET-3