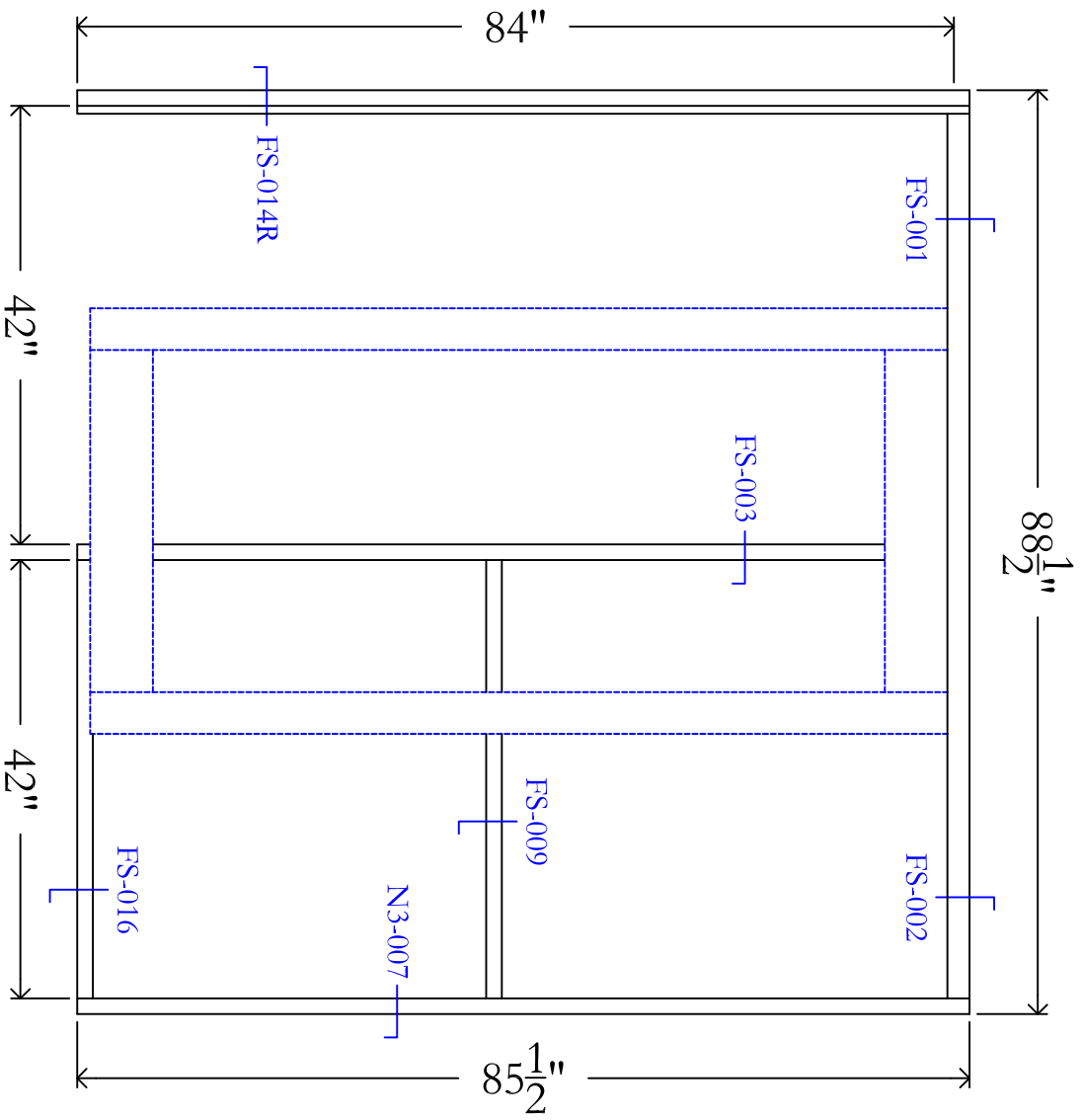


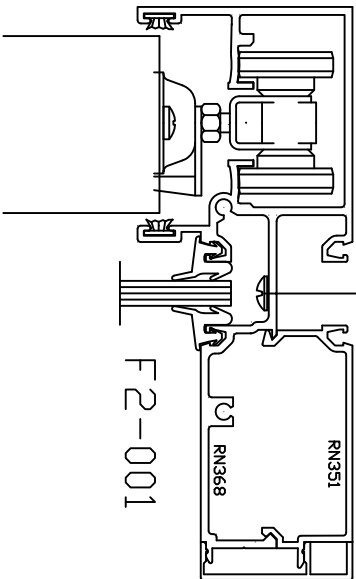


Solutions II 487 Series
Flush Slider Elevation





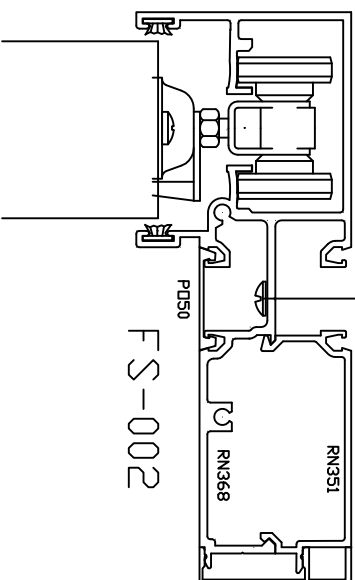
REINFORCEMENT BLOCK REQUIRED



F2-001

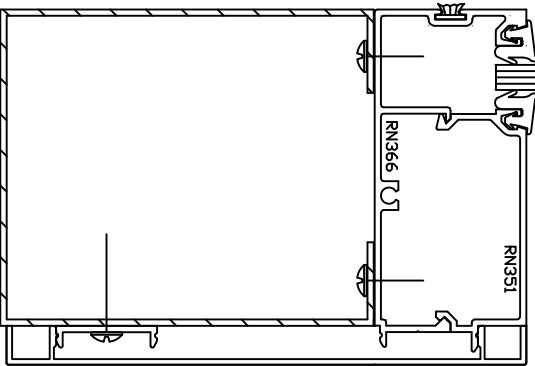
*Solutions II 487 Series
Flush Slider & Sidelite Material Details*

REINFORCEMENT BLOCK REQUIRED

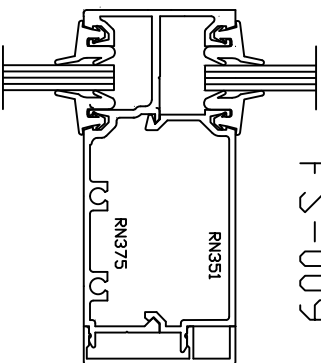


FS-002

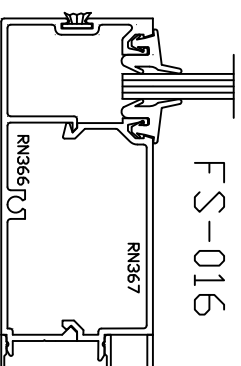
FS-007



FS-009



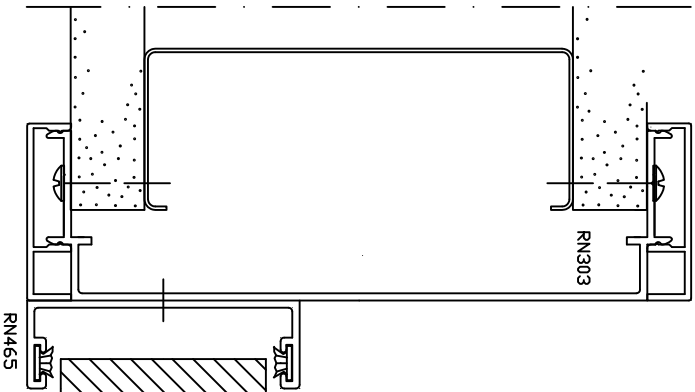
FS-016



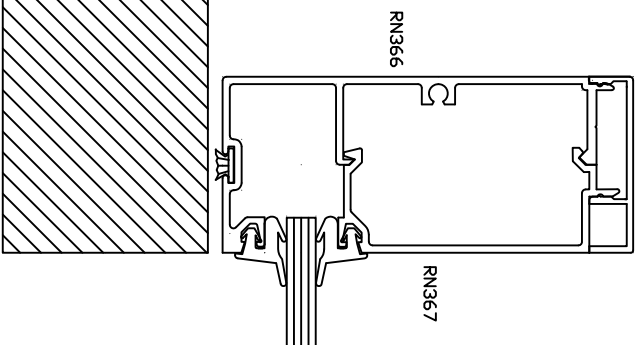


*Solutions II 487 Series
Flush Slider & Sidelite Material Details*

FS-014R



FS-003



N3-007

