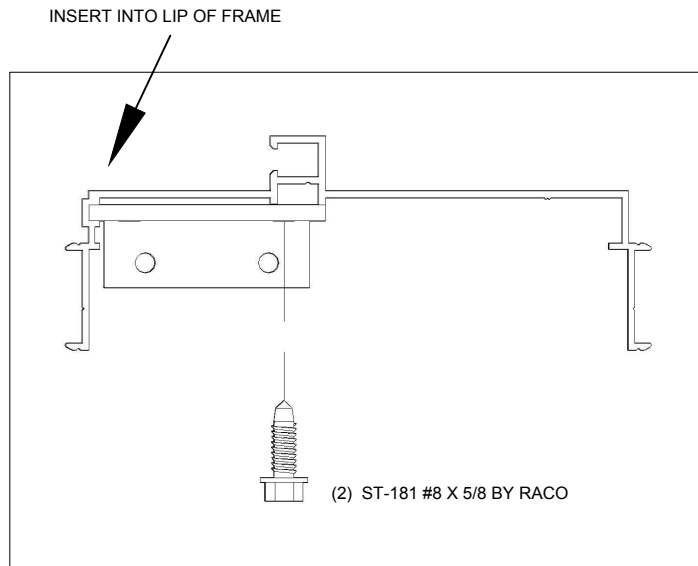


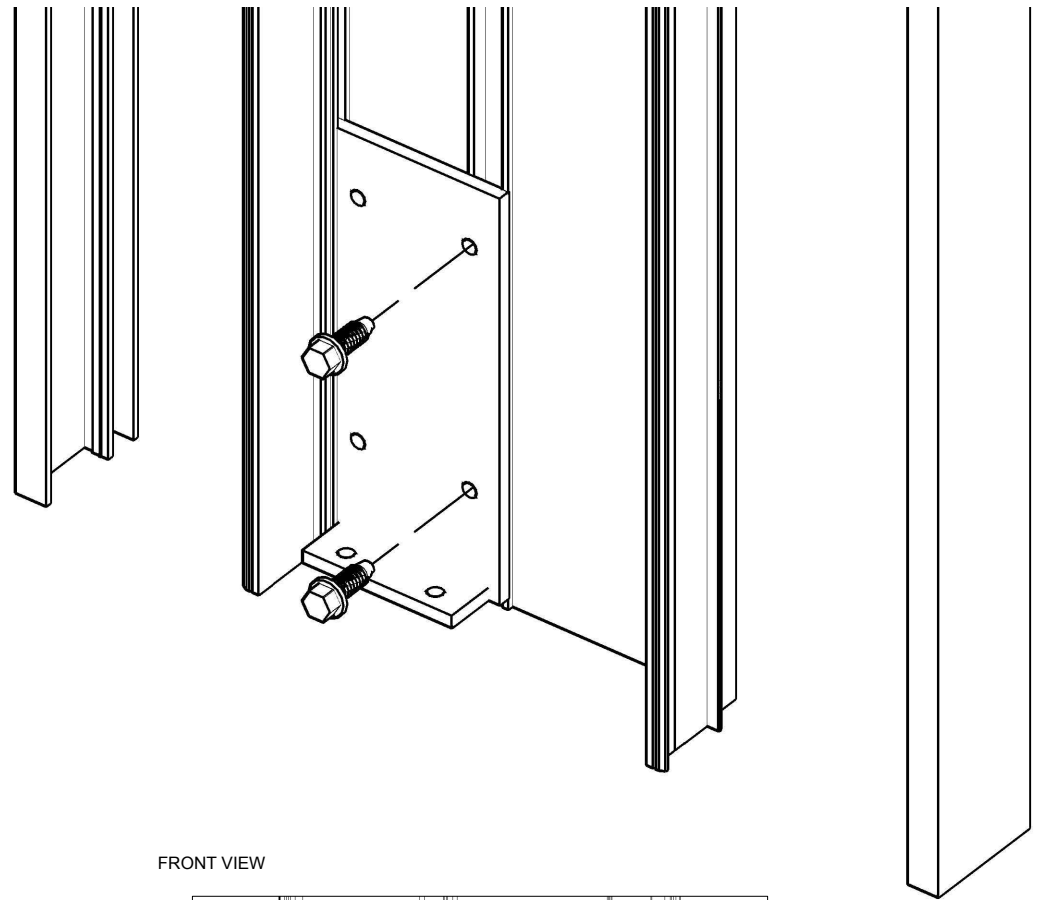


SOLUTIONS II EH82200 FREESTANDING FRAME JAMB ANCHOR

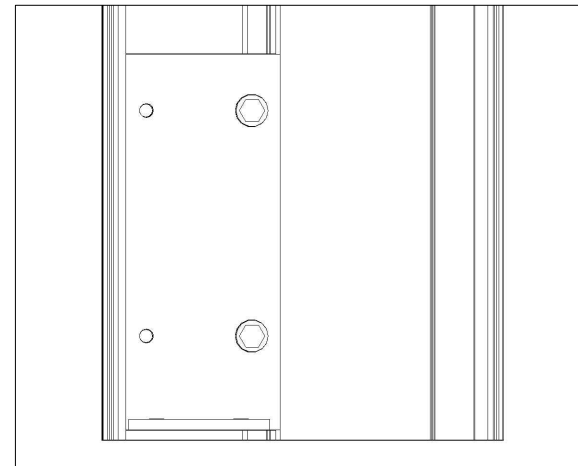
1. THE PURPOSE OF THE CLIP IS TO ANCHOR A FRAME TO THE FLOOR WHEN THERE IS NOT A WALL THERE TO ANCHOR TO. ONCE THE CLIP IS INSTALLED AND ANCHORED YOU NORMALLY WILL INSTALL A FLAT OR POCKET INSERT INTO THE BACK OF THE FRAME JAMB TO FINISH THIS CONCEPT AND HIDE THE EH82200 ANCHOR.



ABOVE DIAGRAM SHOWS AN END VIEW OF THE FRAME JAMB WITH EH82200 INSTALLED.



FRONT VIEW



NOTE: SCREWS TO ANCHOR TO THE FLOOR ARE PROVIDED BY OTHER

NOT TO SCALE

REVISED 3/3/2017