



SOLUTIONS II Single & Double Frame Sidelight

Clip Installation Instructions

FRAME MUST BE INSTALLED PLUMB AND SQUARE

General Installation Guidelines

1. SLIP FRAME HEADER OVER DRYWALL TO DOOR OPENING HEIGHT AND LEVEL.

* MEASURE AND CUT HINGE JAMB.

2. SLIP HINGE JAMB TABS INTO HEADER SLOTS THEN OVER DRYWALL.

* MEASURE AND CUT STRIKE JAMBS.

3. SLIP STRIKE JAMB TABS INTO HEADER SLOTS.

* CLIP DOOR FRAME TOGETHER. LEVEL HEAD AND PLUMB JAMB. ATTACH TO DRYWALL BY SCREWING THRU THE SIDES OF THE FRAME WITH DRYWALL SCREWS (BY OTHERS) THAT ARE LONG ENOUGH TO ENGAGE THE C-STUD IN THE WALL. PLACE THE FIRST SCREW WITHIN 3" OF THE TOP OF THE FRAME AND THE BOTTOM SCREW WITHIN 2" OF THE OF THE FRAME. SPACE REMAINING SCREWS EVERY 9-12" APART. NOTE - AT EACH HINGE CUTOUT PLACE A SCREW JUST ABOVE AND BELOW THE HINGE CUTOUT AT EACH LOCATION. SCREWS WILL BE COVERED ONCE TRIM IS INSTALLED.

4. SLIP GLAZING HEAD OVER DRYWALL.

5. SLIP GLAZING JAMB OVER DRYWALL.

6. FIT SILL CHANNEL TO FLOOR WITH SILL CHANNEL CHANNEL USING (RA106) CLIP.

PLUMB / LEVEL STRIKE AND ATTACH STRIKE TO SILL INSERTED INTO STRIKE (MIN. 3/4")

7. INSTALL GLAZING INSERT INTO BACK OF STRIKE JAMB.

8. THROAT SILL CHANNEL WITH GLAZING BASE.

* PLUMB / LEVEL GLAZING HEAD, JAMB , BASE AND SCREW TO WALL & SILL CAN. INSTALL CLIPS AS SHOWN.

9. IF USING VERTICAL MULLIONS INSTALL SMALL PIECE OF GLAZING SNAP UNDER VERTICAL MULL AT BASE (DETAIL #9)

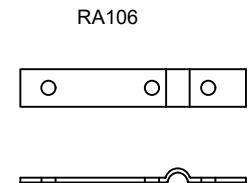
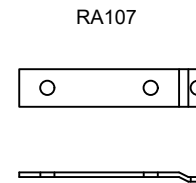
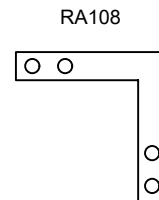
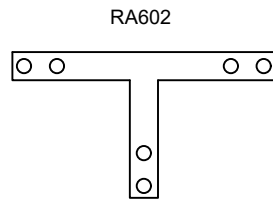
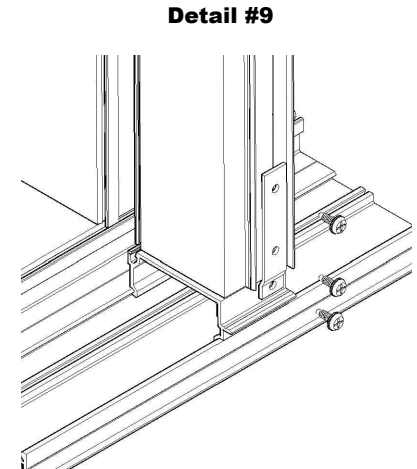
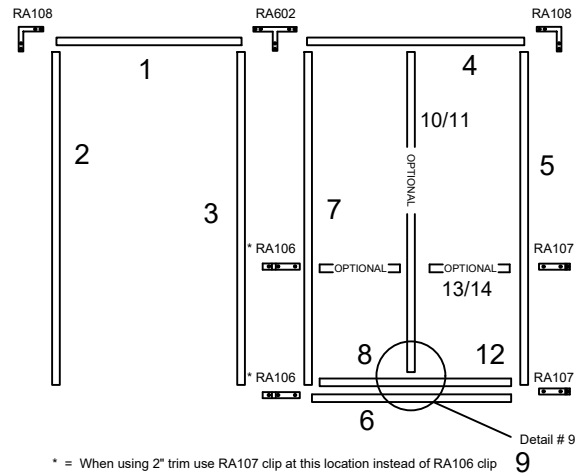
10/11. IF USING VERTICAL MULLIONS SCREW GLASS JAMB AND INSERT TOGETHER EVERY 8" TO 10"

12. INSTALL BASE SNAPS.

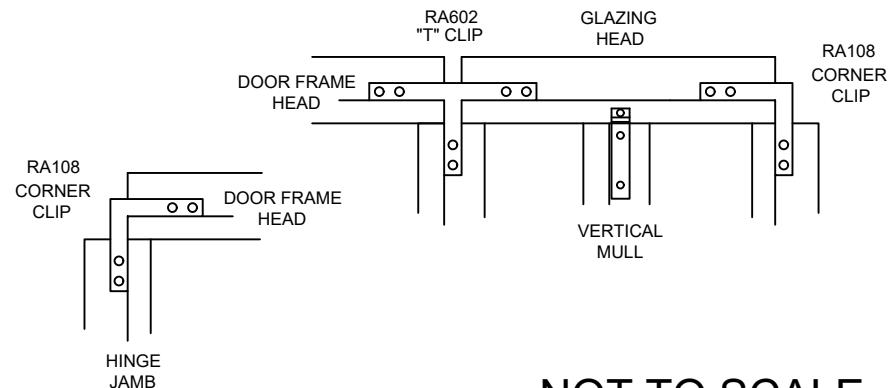
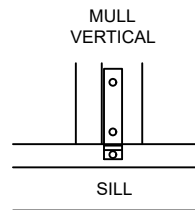
13. INSTALL HORIZONTAL MULLION WITH (RA106) & (RA107) IF REQUIRED

14. INSTALL HORIZONTAL SNAPS.

15. INSTALL TRIM ON FRAME AND SIDELIGHT NOTCH AS REQUIRED.



ST137



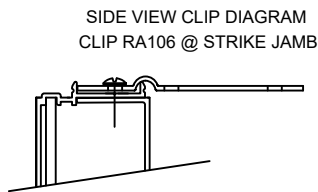
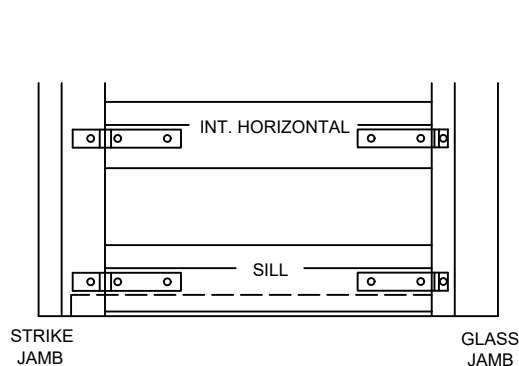
NOTE: TRIM REQUIRES FIELD NOTCHING AT EACH CLIP CONNECTION

NOT TO SCALE



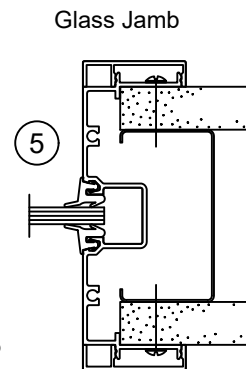
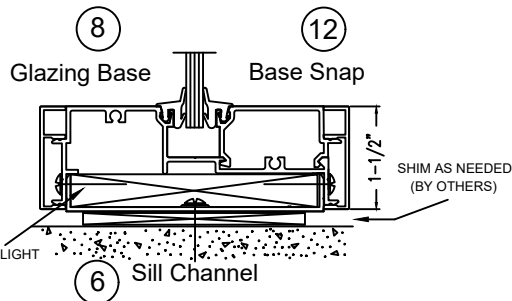
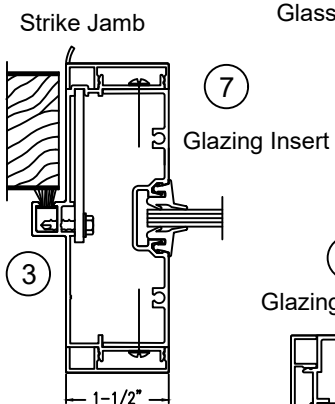
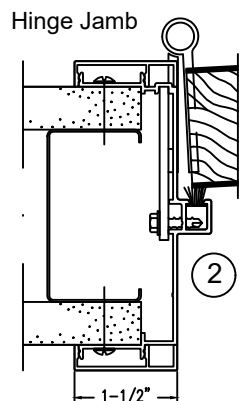
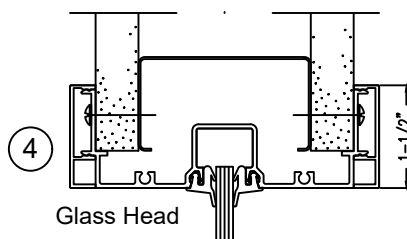
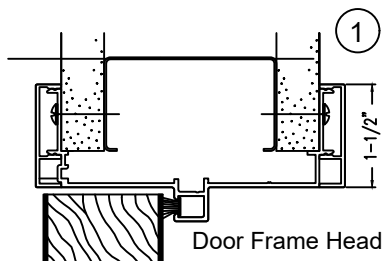
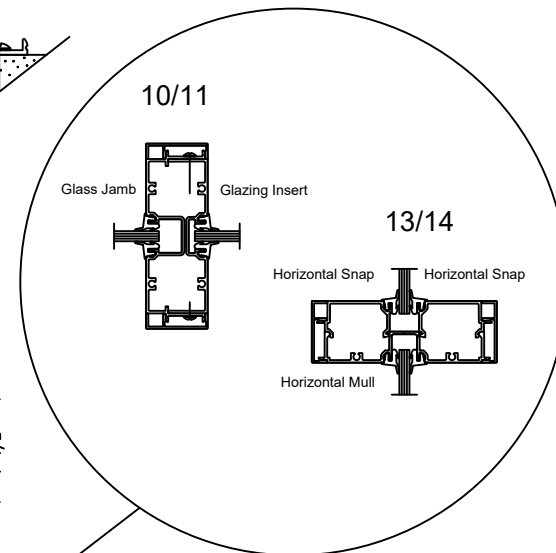
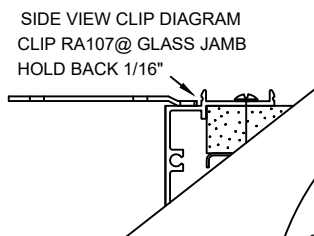
SOLUTIONS II Single & Double Frame Sidelight

FRAME MUST BE INSTALLED PLUMB AND SQUARE



ROUGH OPENING FORMULA
RO = DOOR OPENING + DLO + VERTICAL MULLIONS + 1-1/2"

ROUGH OPENING FORMULA
RO = DOOR OPENING + DLO + VERTICAL MULLIONS + 1-1/2"



ADD WOOD BLOCKING WHEN SIDELIGHT HAS ABUTT GLAZING (BY OTHERS)

NOT TO SCALE