

**INSTALLATION INSTRUCTIONS****HOW TO FIGURE ROUGH OPENINGS****■ SINGLE OR DOUBLE DOOR FRAME WITHOUT SIDELIGHT**

- Rough Opening Width is equal to Door Opening Width plus 1-1/2"
- Rough Opening Height (less than Ceiling Height) is equal to Door Opening Height plus 3/4"

**■ SINGLE OR DOUBLE DOOR FRAME WITH SIDELIGHT ONE SIDE**

- Rough Opening Width is equal to Door Opening Width plus Day Light Opening Width of window(s) plus the width of the vertical intermediate(s) plus 1-1/2"
- Rough Opening Height (less than Ceiling Height) is equal to Door Opening Height plus 3/4" if sidelight is to the finished floor. If sidelight is over drywall at the sill, rough opening is DLO plus 1-1/2".

**■ SINGLE OR DOUBLE DOOR FRAME WITH SIDELIGHT ON BOTH SIDES**

- Rough Opening Width is equal to Door Opening Width plus Day Light Opening Width of the windows plus the width of the vertical intermediates plus 1-1/2"
- Rough Opening Height (less than Ceiling Height) is equal to Door Opening Height plus 3/4"

**■ SINGLE OR DOUBLE DOOR FRAME WITH TRANSOM LIGHT**

- Rough Opening Width is equal to Door Opening Width plus 1-1/2"
- Rough Opening Height (less than Ceiling Height) is equal to Door Opening Height plus Day Light Opening Height of Transom plus Door Frame Header Width plus 3/4"

**■ BORROWED LIGHT**

- Rough Opening Width is equal to Day Light Opening Width plus 1- 1/2"
- Rough Opening Height (less than Ceiling Height) is equal to Day Light Opening Height plus 1-1/2"

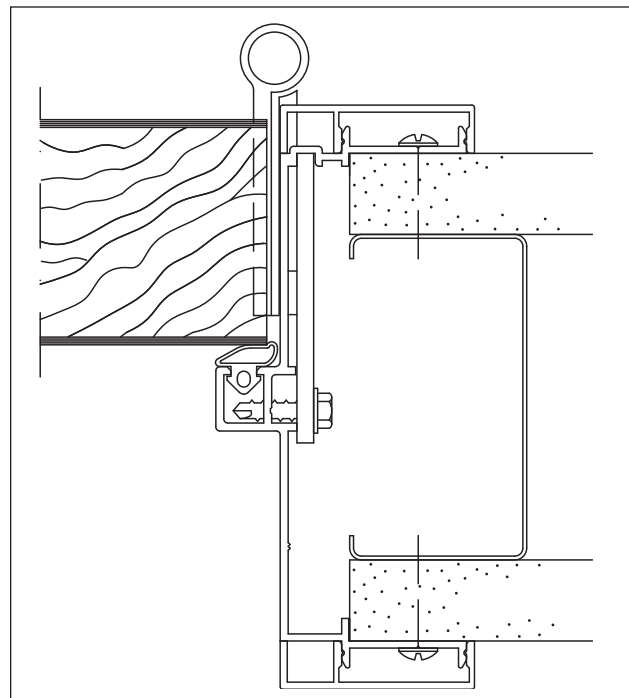
Rough opening tolerances are plus or minus 1/4"

All C studs nearest the edges of the rough opening should be reversed so that the open end of the stud is towards the rough opening.

The edge of the C studs should be flush with the edge of the drywall and care should be taken that the drywall edge is square and plumb.

All attachment screws should be embedded into the drywall. All screws attaching C studs and stud track should not cause the drywall to flare.

The drywall thickness should not exceed the nominal wall thickness. This includes head and sill conditions if covering drywall.



Cross Section Of Door Frame Jamb Showing Reversed C Stud And Coverage Of Frame Over Drywall

### HOW TO INSTALL A SINGLE OR DOUBLE DOOR FRAME

(Drywall at the head) (Extra length on the bottom of the jambs for field cutting to fit floor variance)

#### 1. Check wall thickness and rough opening dimensions.

Do not proceed unless the drywall is within tolerance and plumb.

#### 2. Check the door frame for damage or missing parts

Parts list for single door frame: (double frame similar)

- Door frame header
  - Trim for both sides
- Door frame hinge jamb (two if double frame)
  - Trim for both sides, one side is factory notched to clear the hinges
- Door frame strike jamb (none if double frame)
  - Trim for both sides, one side is factory notched to clear the strike
- Door stop gasket for header and both jambs
- Corner clips (4-RA108) to connect the header with the jambs

#### 3. Place door frame header over drywall

- Do not attach header at this time
- Make sure door stop is facing the right direction
- Adjust the header to its proper height and confirm the door opening height (use temporary screws to hold if necessary)
- Measure from the rabbet line to the finished floor on each side to determine the exact lengths of the two jambs to accommodate variance in the floor
- Cut the excess “extra length” off the bottom of the jambs to fit

#### 4. Insert the tabs at the top of the hinge jamb into the slots in the header and then place the jamb over the drywall

#### 5. Insert the tabs at the top of the strike jamb into the slots in the header and then place the jamb over the drywall

#### 6. Final adjustment and attachment

##### Start with the hinge jamb

- Plumb vertically
- Make sure jamb is not rotated in or out
- Secure to the wall with 1-1/4” drywall screws on both sides of the jamb (screws supplied by others)
- Top screw within one inch of the top of the jamb
- Bottom screw within one inch of the bottom of the jamb
- Intermediate screws every 9 to 12 inches

##### Pull header tight to the top of the jamb

- Level the header
- Make sure header is not rotated in or out
- Secure header to the jambs using the corner clips (all four corners)
- Secure the header to the wall using 1-1/4” drywall screws on both sides (screws supplied by others)
  - First screws within one inch of each end
  - Intermediate screws every 9 to 12 inches

##### Strike jamb

- Plumb vertically
- Make sure jamb is not rotated in or out
- Secure to the wall with 1-1/4” drywall screws on both sides of the jamb
  - Top screw within one inch of the top of the jamb
  - Bottom screw within one inch of the bottom of the jamb
  - Intermediate screws every 9 to 12 inches

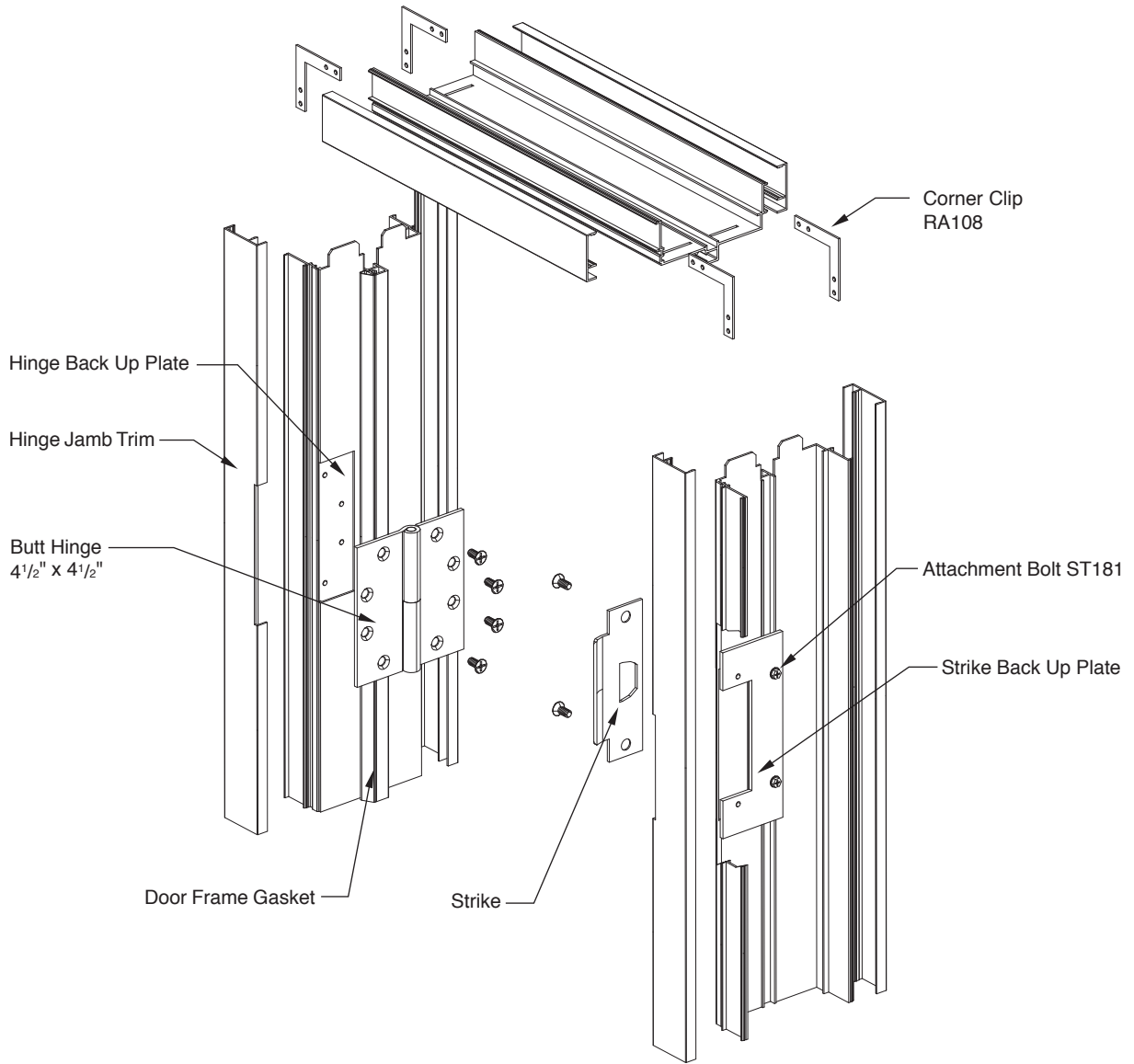
##### Trim

One side of the hinge jamb trim is notched to clear the hinges

- Cut the “extra length” off the bottom of the trim to fit the hinge jamb
- Attach the trim lining up the notches with the jamb cutouts
- One side of the strike jamb trim is notched to clear the strike plate
  - Cut the “extra length” off the bottom of the trim to fit the strike jamb
  - Attach the trim lining up the notch with the jamb cutout
- Attach the head trim between the tops of the jamb trim
- Repeat the process on the other side

##### Press the door frame gasket into the door stop

**INSTALLATION INSTRUCTIONS**

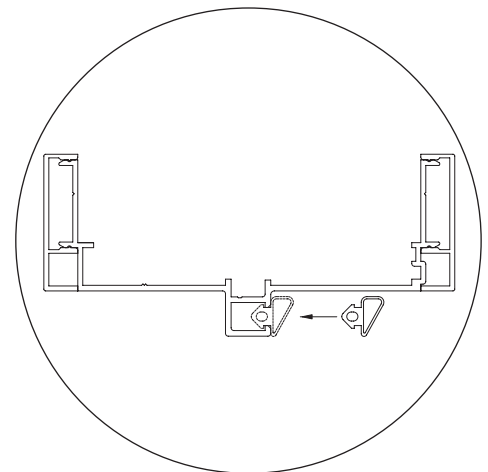


**LIST OF PARTS**

- Header
- Hinge Jamb
- Strike Jamb
- Header Trim (2 PCS)
- Jamb Trim (4 PCS)
- Corner Clips (4 PCS)
- Door Stop Gasket

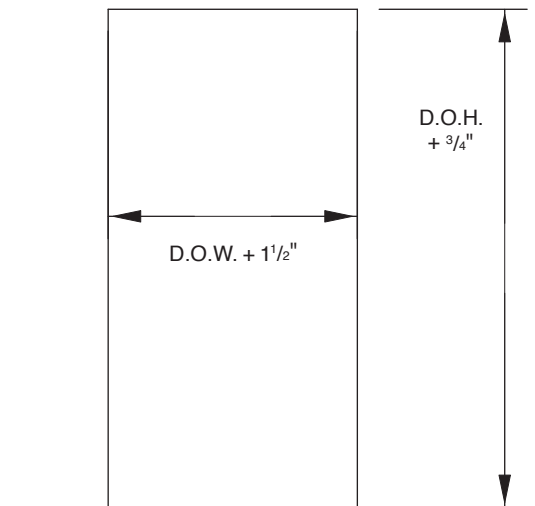
Drywall screws supplied by others.  
Hinges, strikeplate, and screws supplied by others.

**GASKET INSTALLATION**



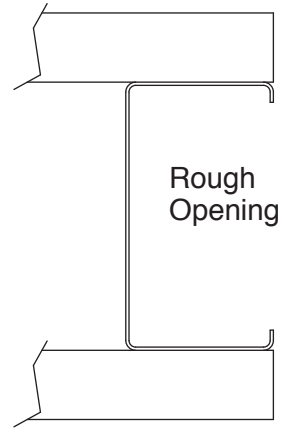
## INSTALLATION INSTRUCTIONS

### DOOR OPENING



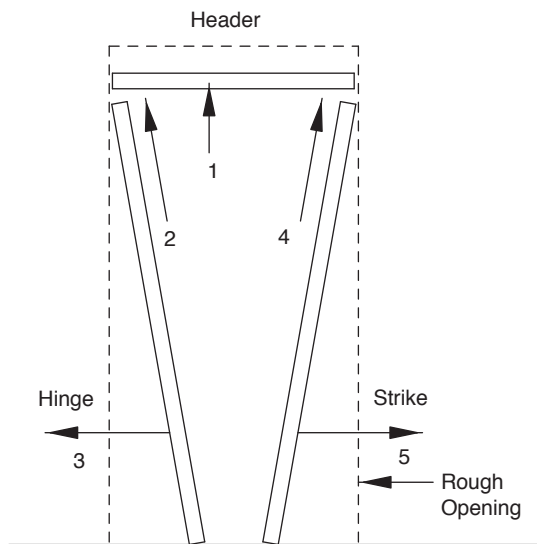
- Rough Opening Width = Door Opening Width + 1-1/2"
- Rough Opening Height = Door Opening Height + 3/4"

### C STUD INSTALLATION

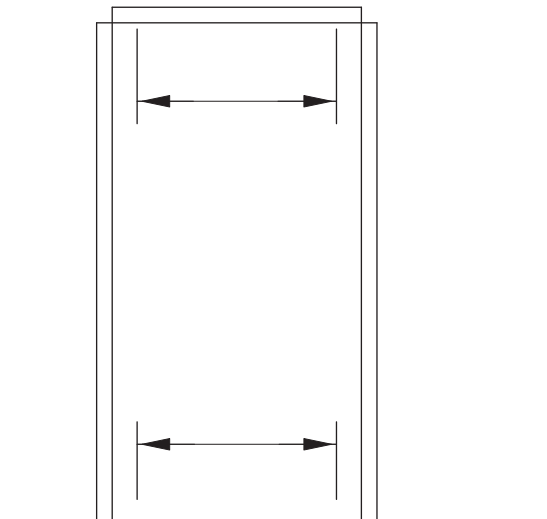


- Jamb, C Stud flush with edge of Drywall and Plumb
- Header and Sill similar

### INSTALLATION SEQUENCE



### ALIGNMENT AND ATTACHMENT



- Attachment Screws on both sides of each Jamb and Header
- Screws one inch from each end and spaced 9" to 12" in between

### TRIM ATTACHMENT SEQUENCE

1. Hinge trim both sides
  2. Strike trim both sides
  3. Header trim both sides
- Match notches in hinge trim and notch in strike trim to **appropriate jamb cutouts**