

**Kiosk solutions**

Passbook Printing Systems



**TRUE COUNT SYSTEMS PVT. LTD.**

Quality is our moto...

Banks

Post Offices

Model: TC-6361-T1-PBP

# Self-service Pass-book Management Kiosk



Smallest-in-class footprint.

Lowest-in-class TCO solution.

Flexible Deployment

DESKTOP / WALL-MOUNT / STANDALONE

Aadhar validated passbook issue

NO queue! Bank Passbook Printing? Yes! TCSPL One Step pass-book Printing Kiosk are Core Banking System (CBS) integrated and specially designed to offer intel l ige nt algorithm based passbook printing. Friendly audio & video assisted GUI interface, simple operation, easy maintenance & quick installation make it a must have at Bank Branches, ATM sites.

Proven solution that drives customers services & satisfaction.

Fresh, trendy, high-tech design. Lowest-in-class total Cost of Ownership (TCO). Smallest-in-class footprint and flexible deployment. Tropicalized metal construction.

**Industry First  
Aadhar validated  
Passbook Issue  
& PrintSolution**

welcome to **real customer service**  
for the new generation

## Technical Specifications

### Hardware Features

- Complies with Qtel's "easy 123 kiosk" approach for simple & fast operation & maintenance.
- Integrated to Core Banking System (CBS)
- Connect to KOS for centralized monitoring & control.
- Select from 4" to 10.1" Screen sizes.
- Powerful CPU (Customization options)
- Full Multimedia capability with high-gain microphone\*, auto-focus camera\*, powerful speakers.
- In-built Pass-book Printer convenient self-service prints.
- Options for One-Step or semi-automatic user interaction.
- Aesthetic & attractive look & feel.
- Slim & sleek balanced construction.
- Smallest-in-class footprint.
- Lowest-in-class TCO solution.
- Flexible Deployment DESKTOP / WALL-MOUNT / STANDALONE
- Front access for convenient service & maintenance.
- Fast easy high bright touch screen with touch protect\* for extended life.

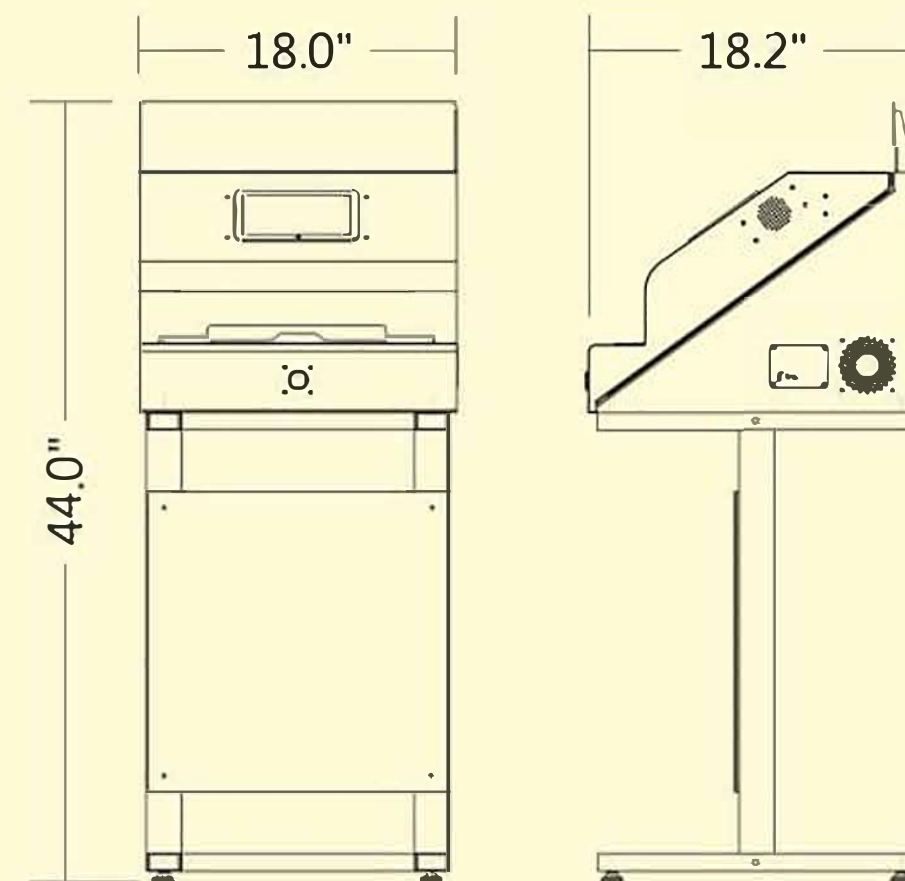
### System Specifications

- Display & Keypad:** High- bright 4" ~ 10.1"\* Fast Touch Screen Monitor with touch protect for extended service life.
- Printer:** Pass-book printer anti-paper jam system.\*
- Communication:** Wifi, Ethernet LAN\*
- Central Processing Unit (CPU):** Robust, high-performance, powerful CPU.
- Multi-media:** High-gain, noise cancellation embedded microphone\* & speakers.
- Camera:** Compact High performance 1.3/ 2M Pixel AF key hole camera with inbuilt DSP\*.
- UPS\*:** Isolated Logic Control 600 VA\*
- Enclosure & Security:** CNC fabrication, powder-coated MS enclosure with front service access.
- Mounting Options:** Desktop, Wall-mount, Standalone
- Electrical:** Voltage 110-265 VAC 50/60Hz
- Environmental:** Operation -10 to 60 C. Storage -20 to 70 C. Humidity upto 75% RH non -condensing
- Dimensions (Nominal):** HWD: 44"X18"X18.2" Approx Weight:35KG
- Shipping Details:** Cardboard box on pallet. Wood crating\*.

\*\*\* marked items are optional. These may not be part of standard supply.

## Central Kiosk Operation Servers (KOS)

Central Kiosk Operations Servers (KOS) Solution is a Customized Secure middle-ware for Pass-book Printing Terminals It provides web-interface for complete MIS, Control & advanced diagnostics functions to monitor health & ensure highest up-times.



We leverage our strength in critical technology for self-service commerce in banking, transportation, utility, bill-pay solutions end-to-end. These are innovative, reliable and easy to use and can be configured to suit a variety of applications and consumer needs.

We design, develop and quickly deliver customized solutions. We can initiate & launch the services with capabilities to swiftly scale-up & meet rapid expansion requirements. Our nation-wide service & support ensures consumer delight.

## TRUE COUNT SYSTEMS PVT LTD

D-135, Sector-49, Noida (UP) 201301

Sales Enquiry: 9810602580, E-mail: sales@truecountsystems.com  
Customer Care: 9310619500, E-mail: service@truecountsystems.com

Contact near you: