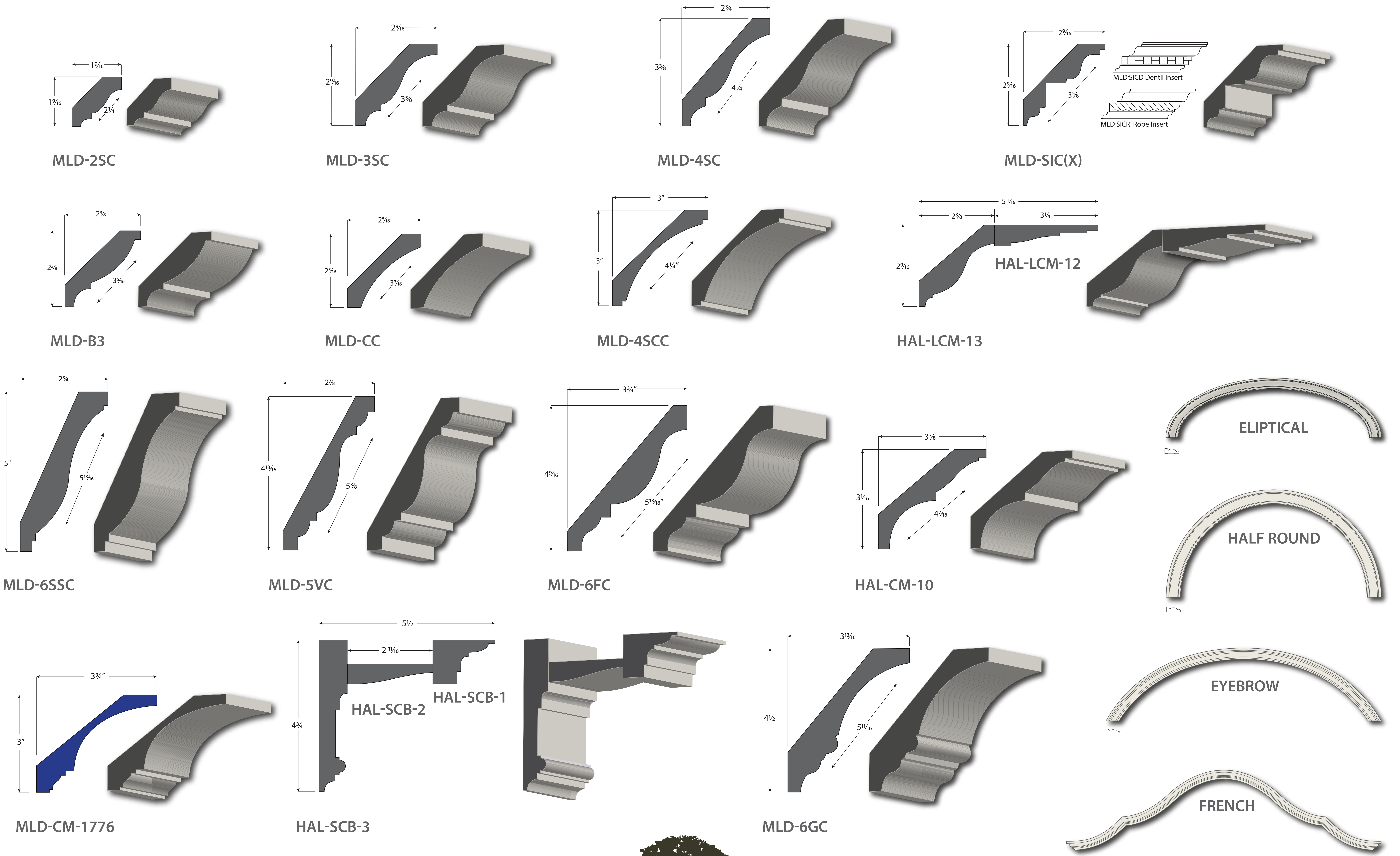


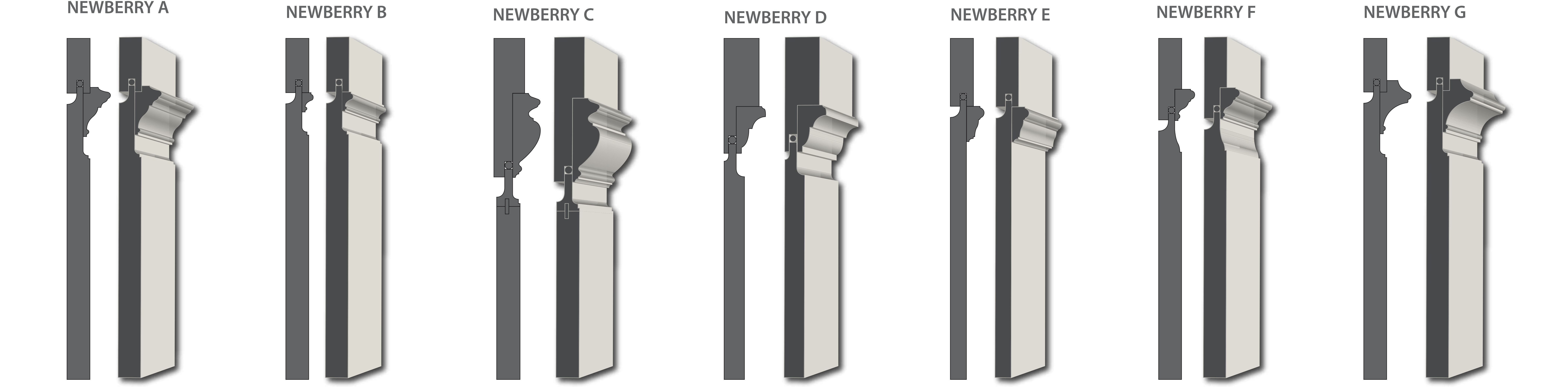
CROWN MOLDING



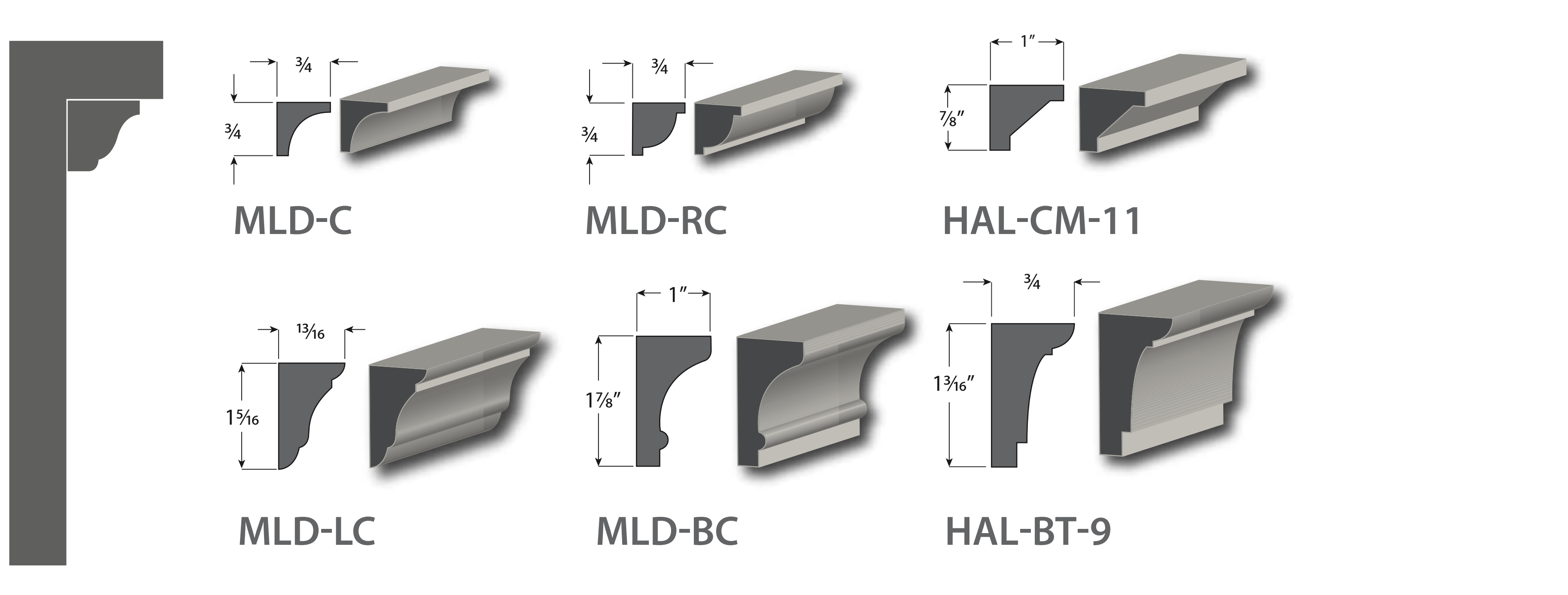
PROFILED EDGE WORK



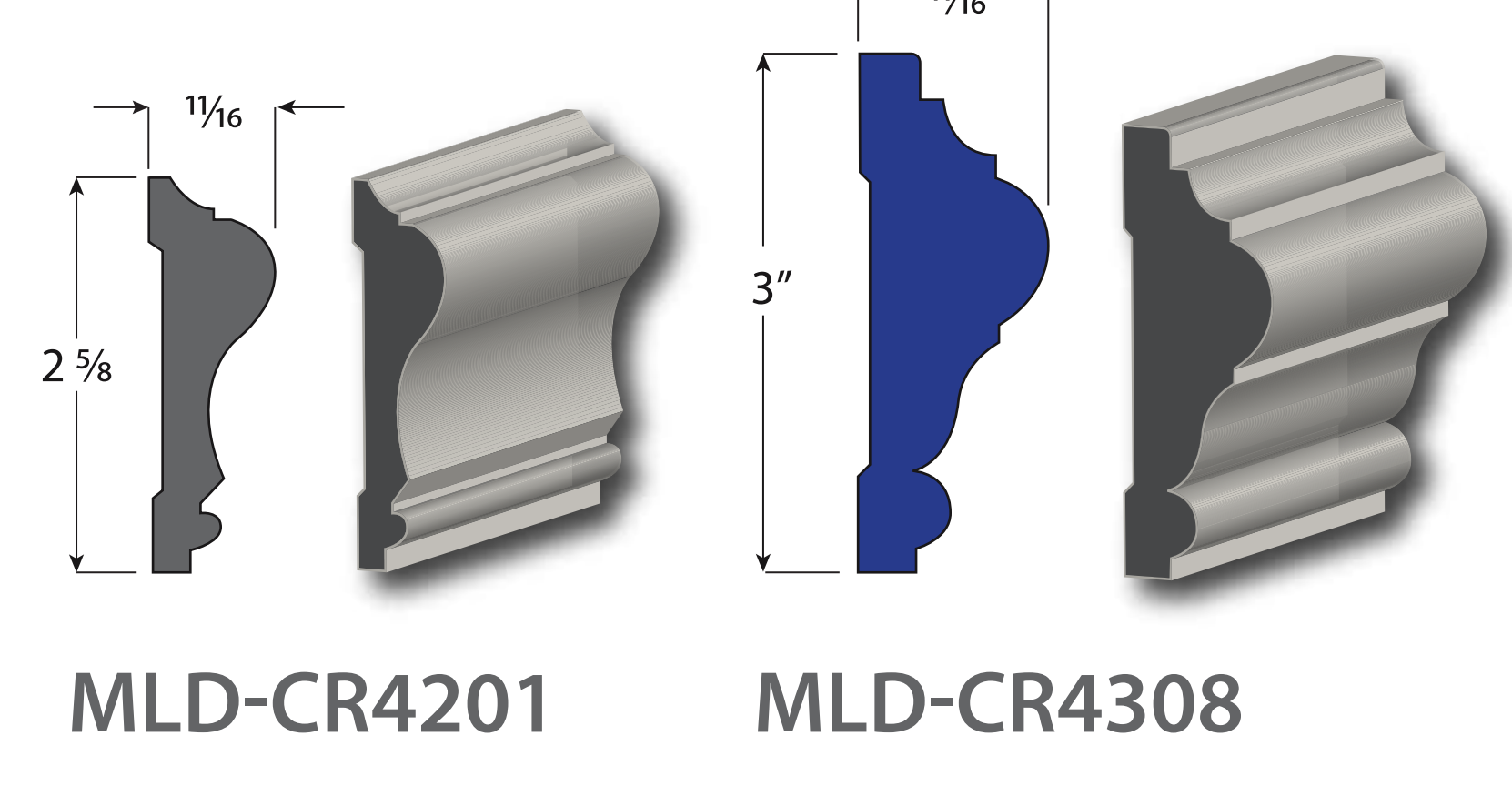
LIBRARY PANELING



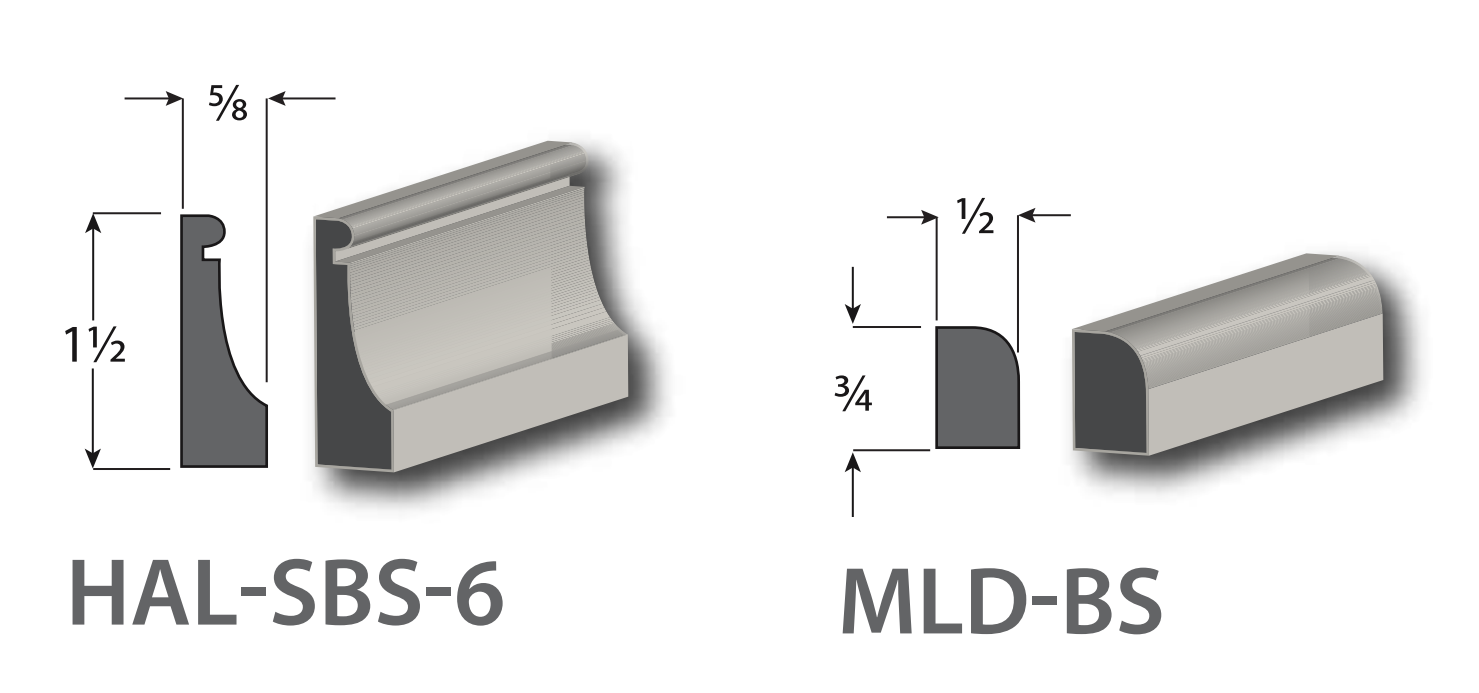
COVE MOLDS



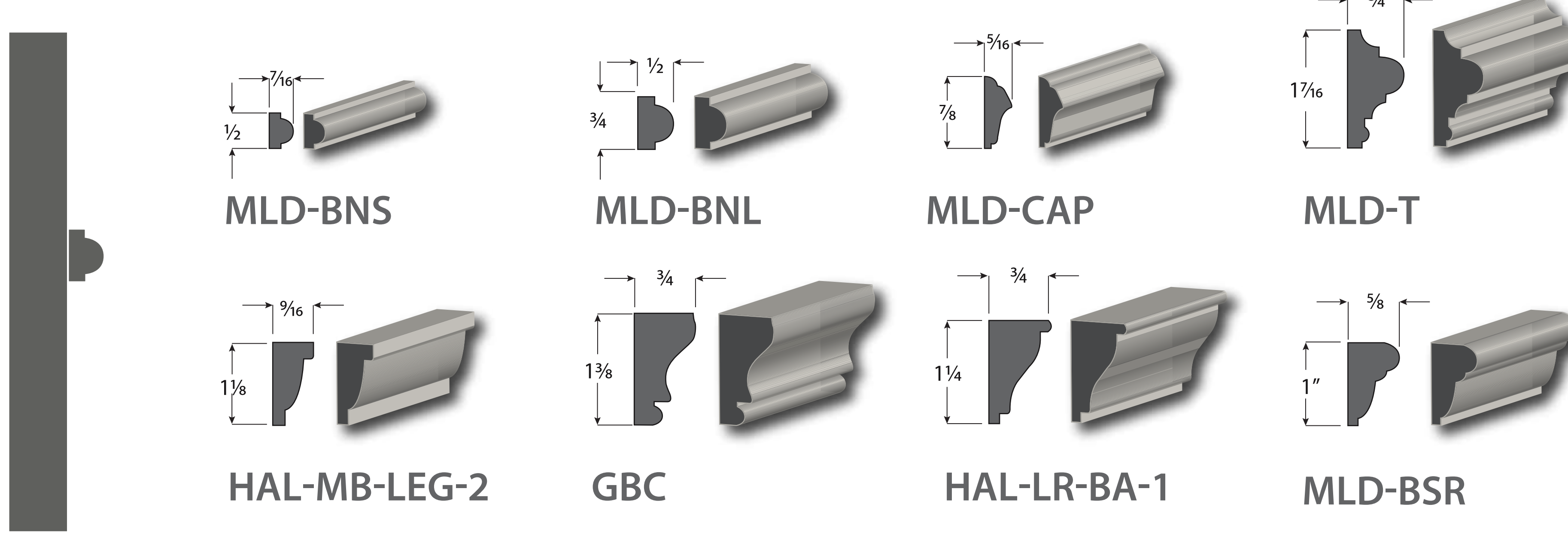
CHAIR RAIL



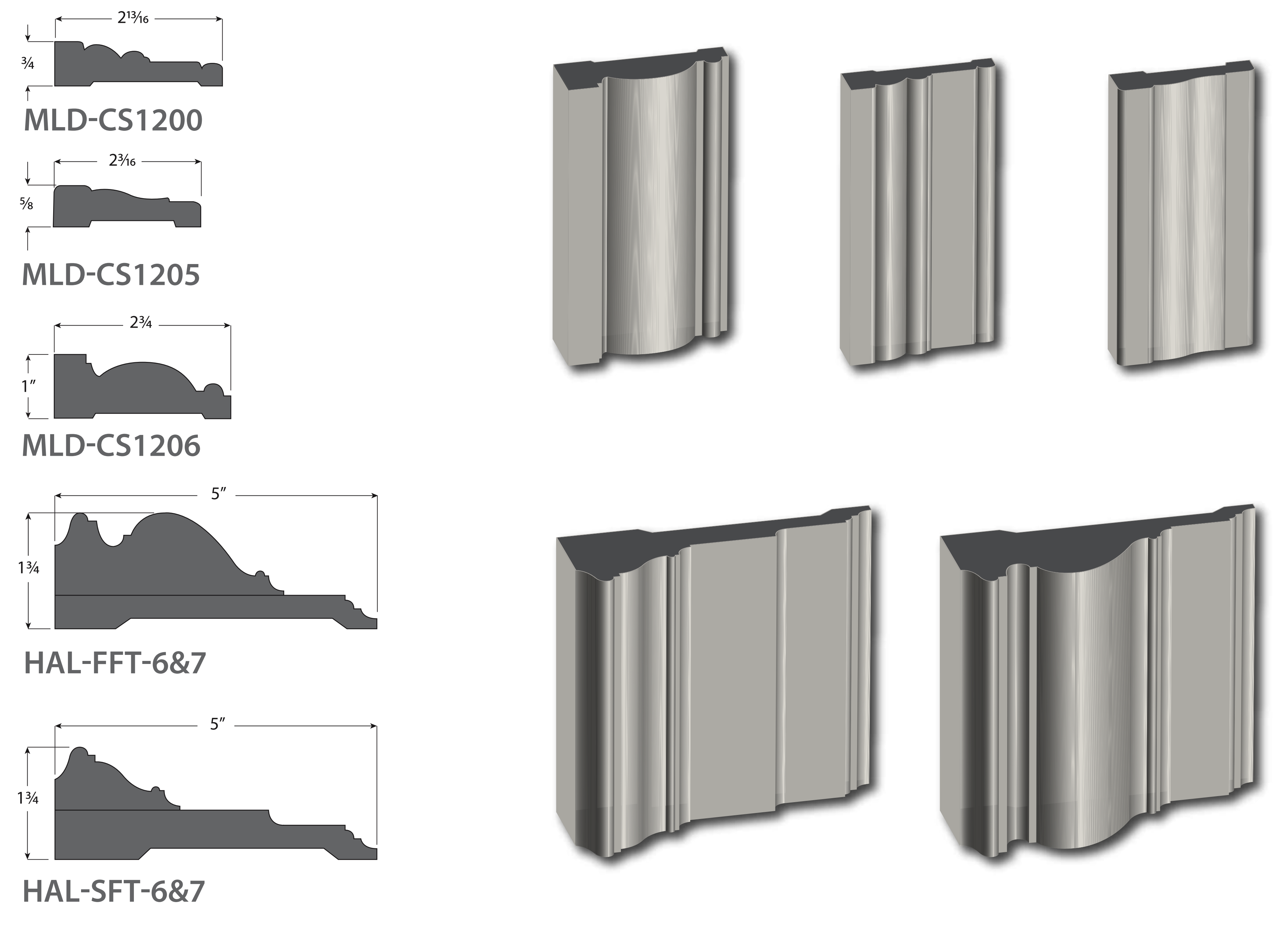
SHOE MOLD



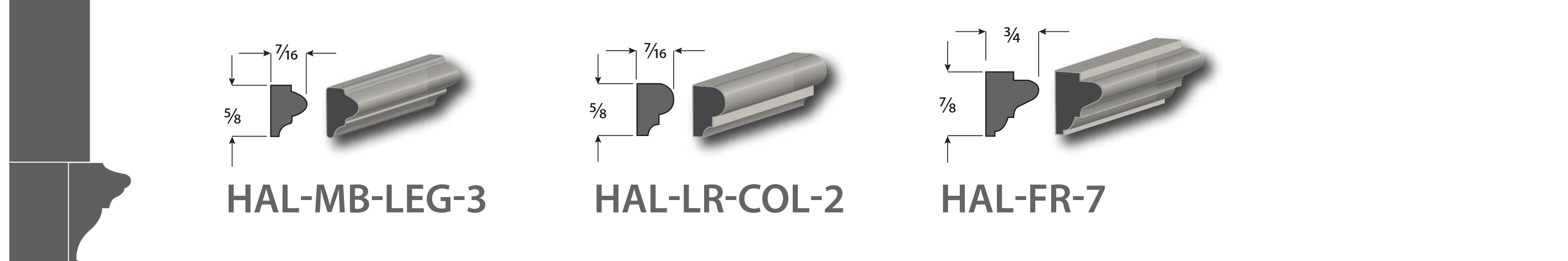
NECK MOLDS



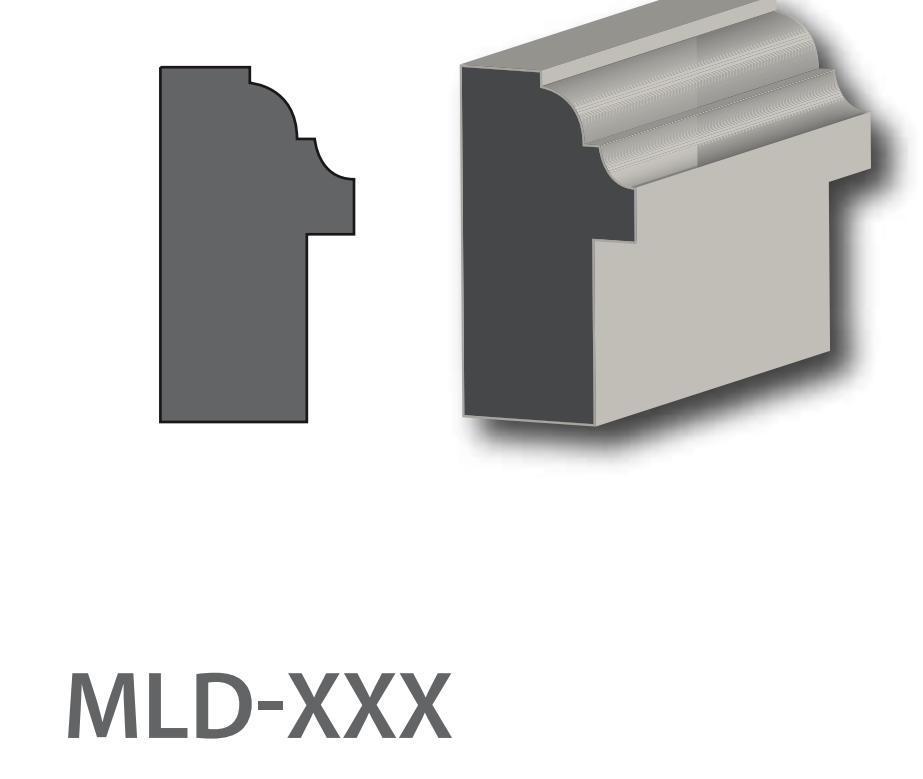
CASING



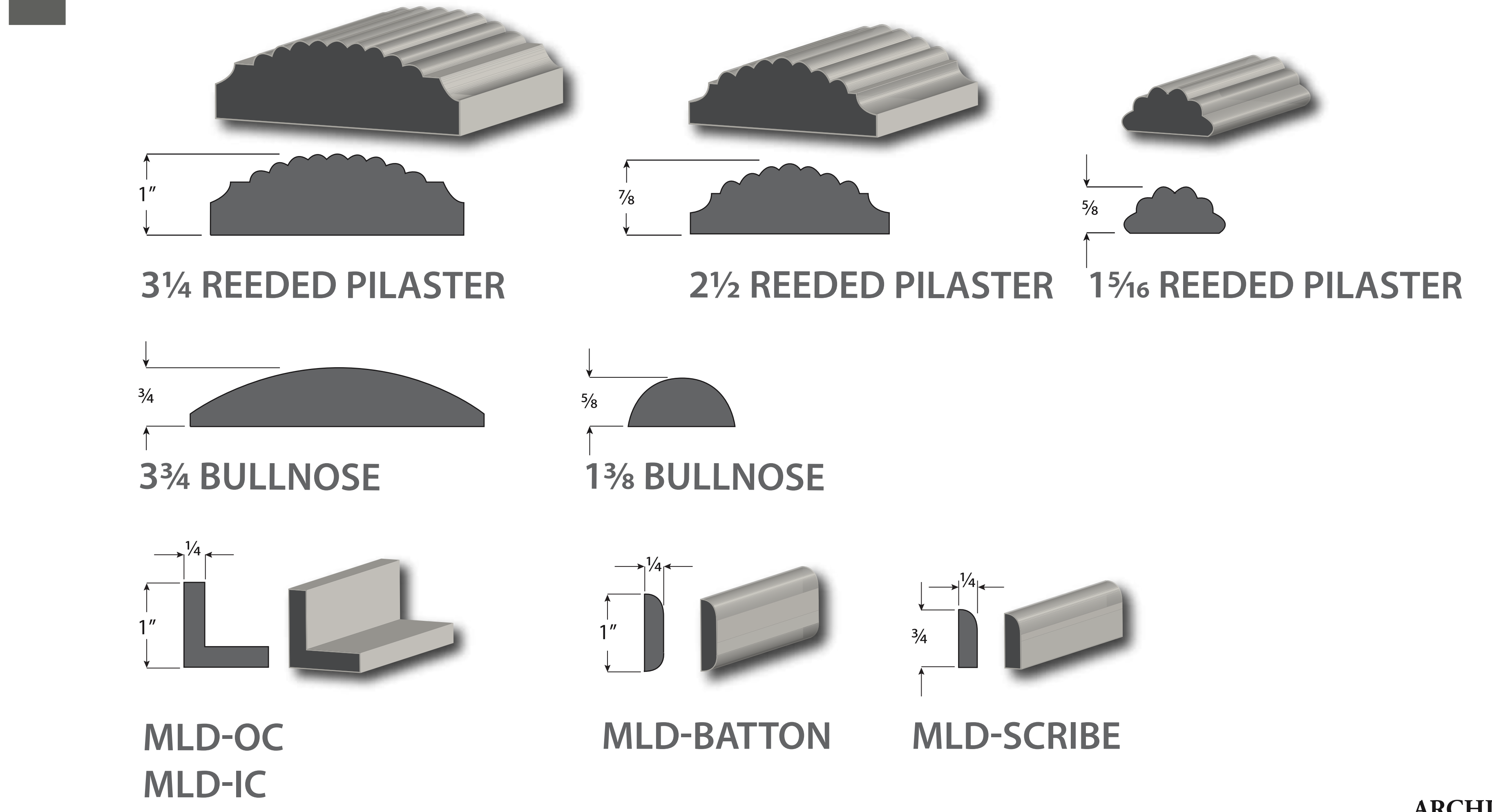
SHOULDER MOLDS



BACKBAND



MISC. MOLDS



BASE MOLD

