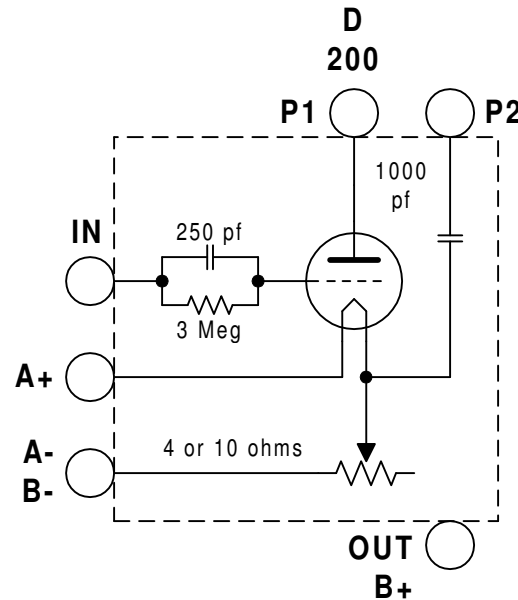


Rev	Description
D	Added model 4332 variant
E	Miscellaneous refinements

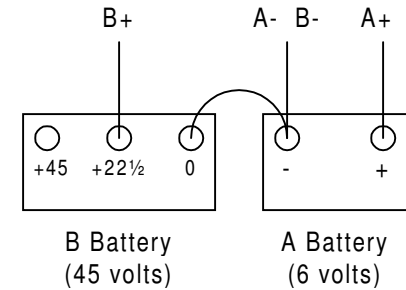
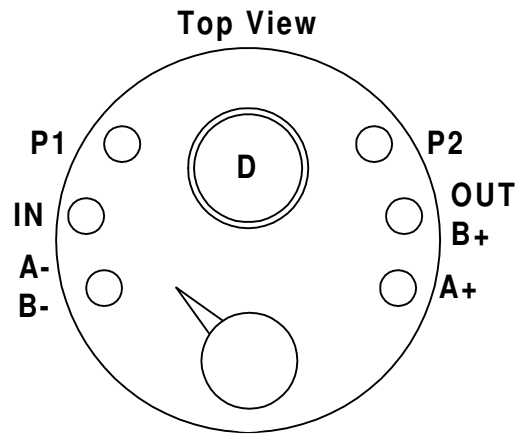


Note

The only differences between the 3902 and the 4332 are the tube type used and the value of the filament resistor.

The 3902 uses a 1-amp type 200 tube and a 4-ohm resistor.

The 4332 uses a 1/4-amp type 200A tube and a 10-ohm resistor.



PRELIMINARY

The information presented is believed to be correct. However, it is subject to revision at any time.

This schematic is based on examination of actual units.

All dimensions in inches All dimensions nominal.	W3NLB		(c) 2004 W3NLB All Rights Reserved
	Atwater Kent 3902 & 4332 Detector Schematic and Wiring Diagram		
Drawn by: Leigh Bassett W3NLB	FSCM NO	DWG NO AK03902SCH	REV E
Date: 19 Dec 2006	SCALE	SHEET	1 OF 1